



US00D844826S

(12) **United States Design Patent**
Kwong

(10) **Patent No.:** **US D844,826 S**
(45) **Date of Patent:** **** Apr. 2, 2019**

- (54) **HOUSE**
- (71) Applicant: **AluHouse Technology (GD) Company Limited**, Guangdong (CN)
- (72) Inventor: **Hoi Fung Kwong**, Guangdong (CN)
- (73) Assignee: **Aluhouse Technology (GD) Company Limited**, Guangdong (CN)
- (**) Term: **15 Years**
- (21) Appl. No.: **29/612,561**
- (22) Filed: **Aug. 2, 2017**

- 2009/0266005 A1* 10/2009 Snel E04H 1/1205
52/79.1
- 2013/0091783 A1* 4/2013 Reinmann, Jr. E04H 9/16
52/79.5
- 2016/0208512 A1* 7/2016 S Ez Blaya E04H 1/02

(30) **Foreign Application Priority Data**

May 11, 2017 (CN) 2017 3 0173186

- (51) **LOC (11) Cl.** **25-03**
- (52) **U.S. Cl.**
USPC **D25/18**

(58) **Field of Classification Search**

USPC D25/1, 4, 15, 16, 18, 23, 26, 32, 33;
D21/834, 837, 838; 52/79.1
CPC E04H 1/1205; E04H 1/02; E04H 1/12;
E04H 9/14; E04H 9/16; E04H 15/001;
E04H 15/008; E04H 15/38; E04H
2001/1283; E04H 9/12
See application file for complete search history.

(56) **References Cited**

U.S. PATENT DOCUMENTS

- D209,504 S * 12/1967 Guy D12/104
- D222,854 S * 1/1972 Weiss D25/33
- 3,730,796 A * 5/1973 Richards E04B 1/14
D25/18
- 8,583,481 B2 * 11/2013 Viveiros E04H 3/02
700/275
- D768,874 S * 10/2016 Walter D25/16

OTHER PUBLICATIONS

Lucy Wang, Futuristic plug-and-play ALPOD home can pop up anywhere in the world, Dec. 18, 2015, Inhabit, <https://inhabitat.com/futuristic-plug-and-play-home-can-pop-up-anywhere-in-the-world/> (Year: 2015).*

Urban Vaatsu, ALPOD Your futuristic pod house today!, Dec. 10, 2015, Youtube, <https://www.youtube.com/watch?v=1LgG3BwIA0Q> (Year: 2015).*

* cited by examiner

Primary Examiner — Brett Miller

(74) *Attorney, Agent, or Firm* — Alan D. Kamrath;
Kamrath IP Lawfirm, P.A.

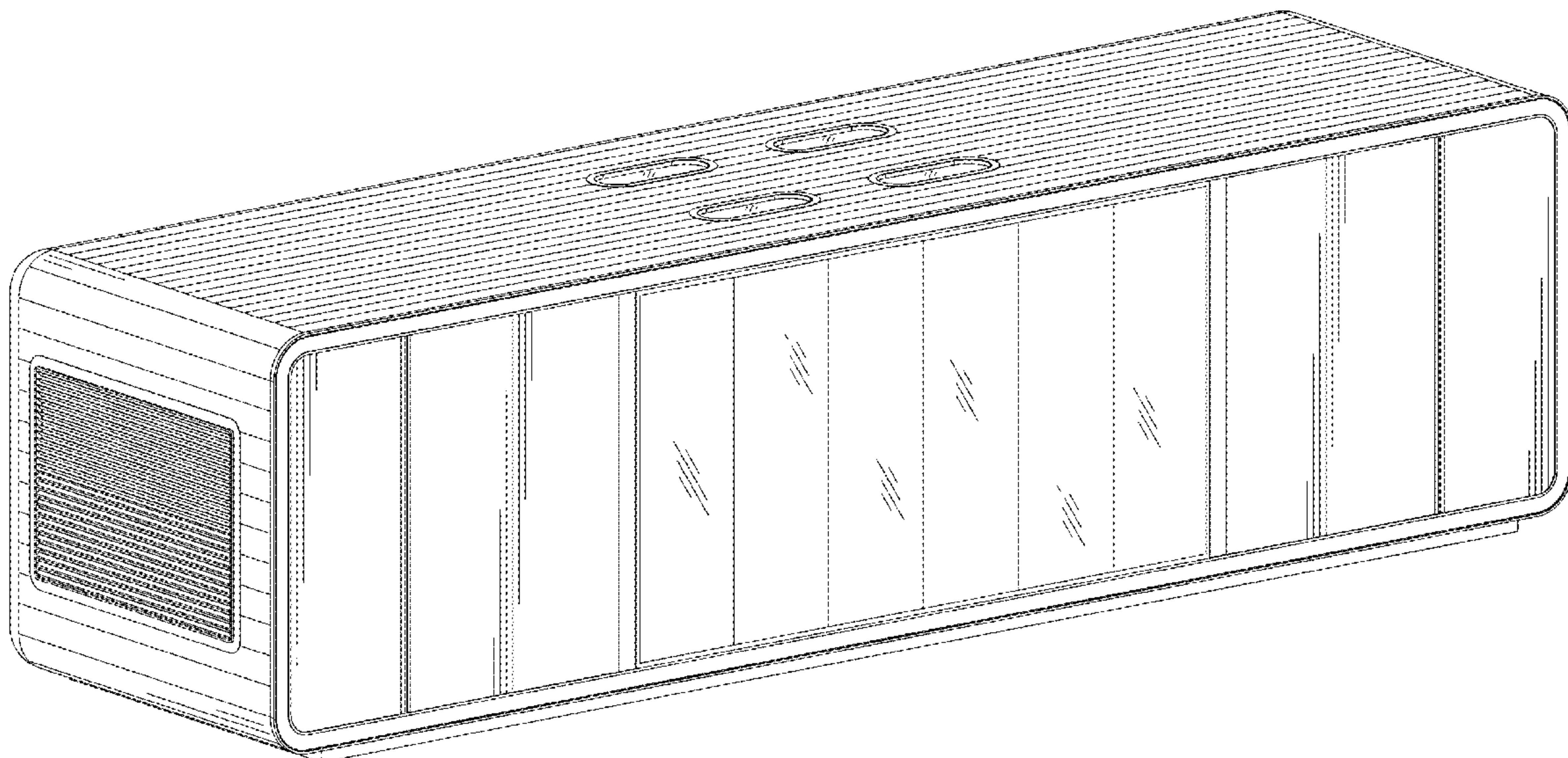
(57) **CLAIM**

The ornamental design for a house, as shown and described.

DESCRIPTION

FIG. 1 is a perspective view of a house showing my new design;
FIG. 2 is a front view thereof;
FIG. 3 is a rear view thereof;
FIG. 4 is a left view thereof;
FIG. 5 is a right view thereof;
FIG. 6 is a top view thereof; and,
FIG. 7 is a bottom view thereof.
The broken lines depict portions of the house that form no part of the claimed design.

1 Claim, 7 Drawing Sheets



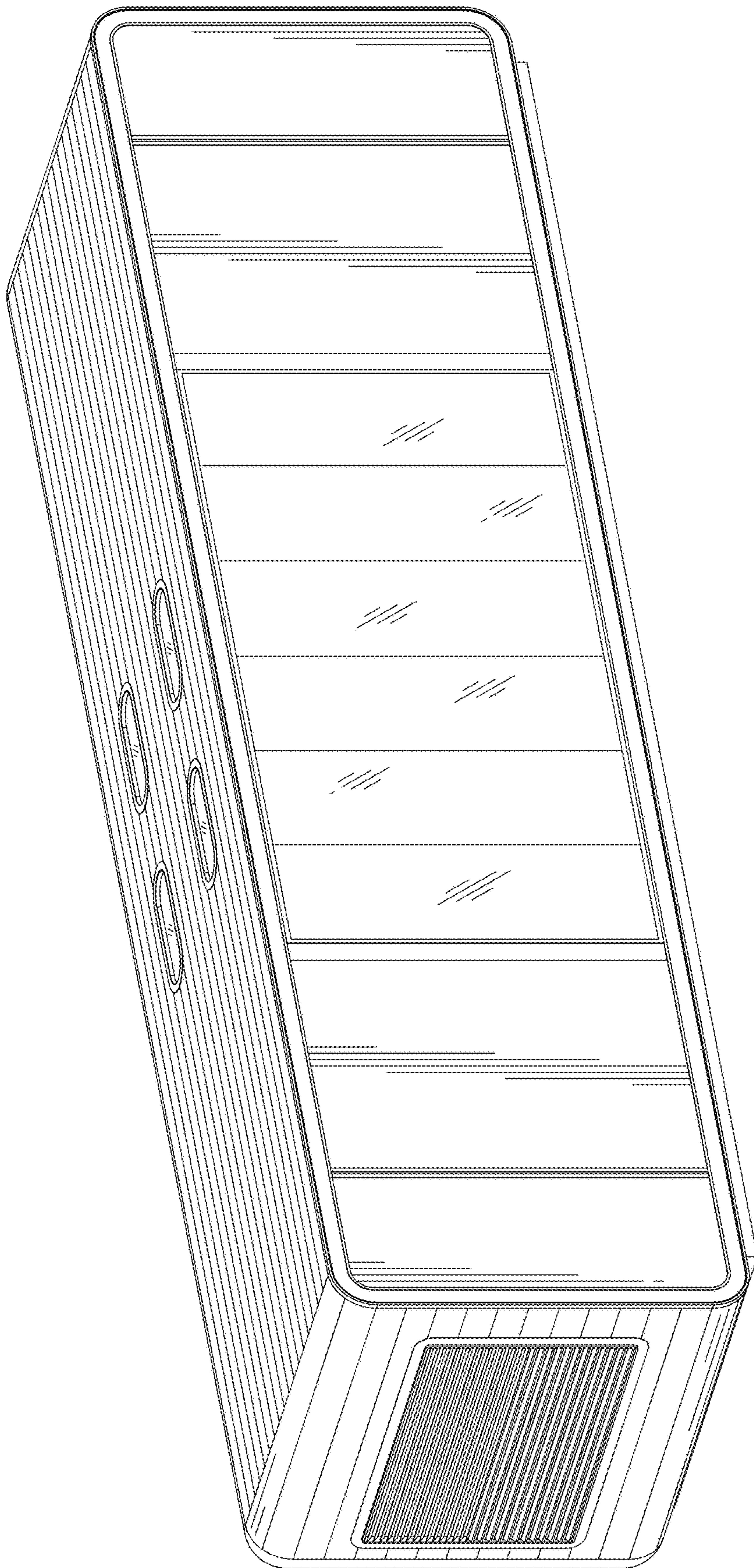


FIG. 1

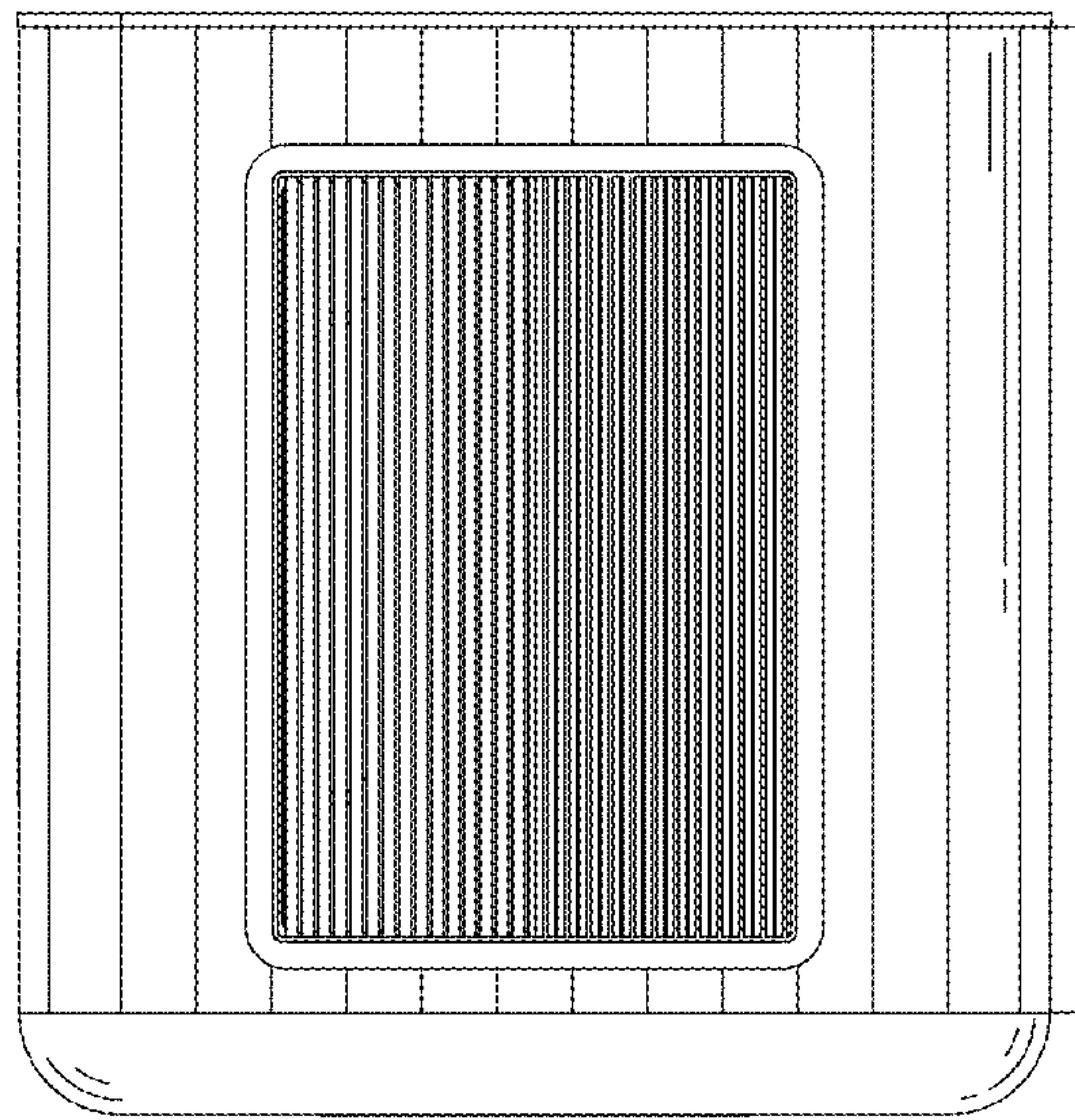


FIG. 2

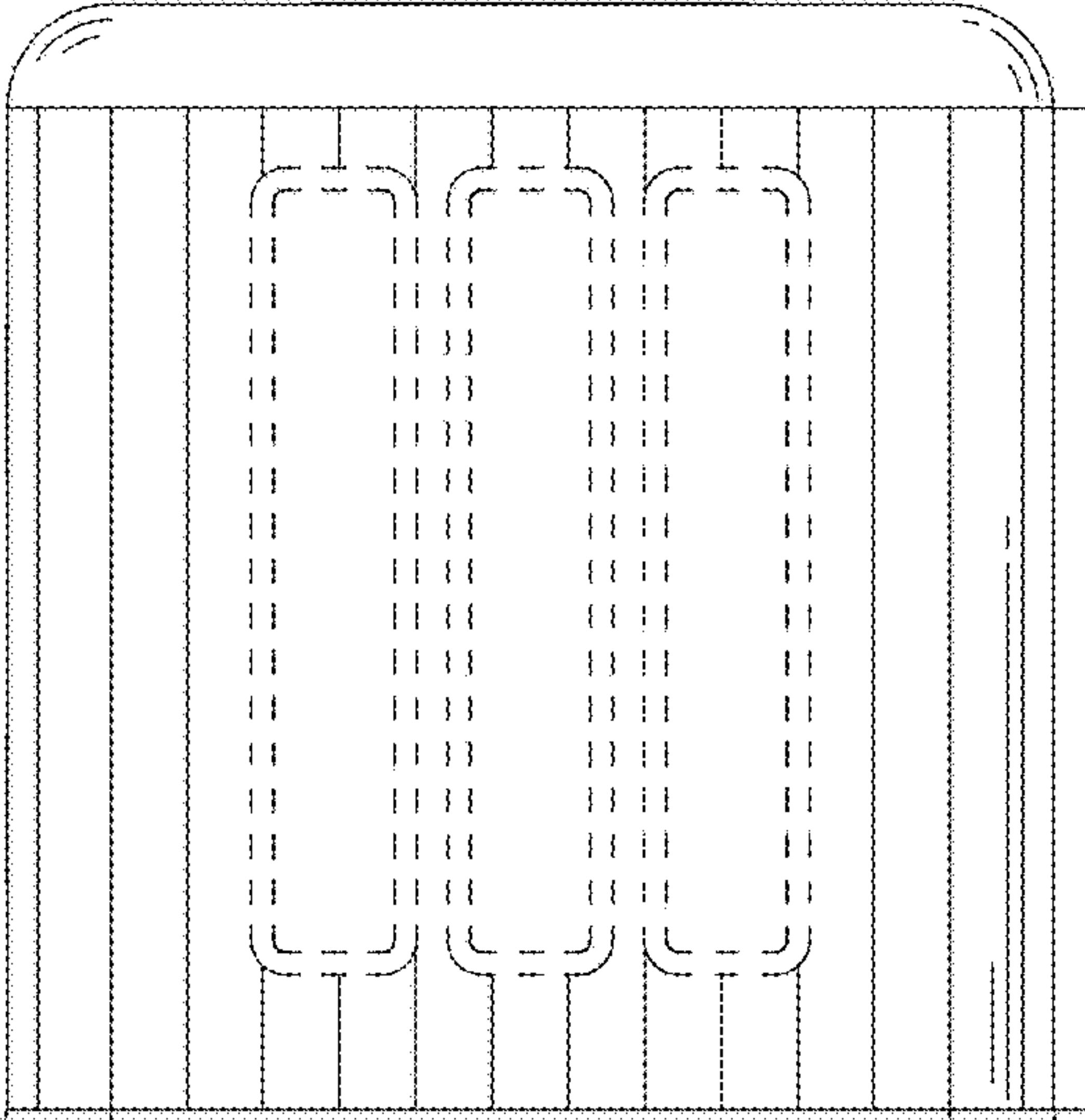


FIG. 3

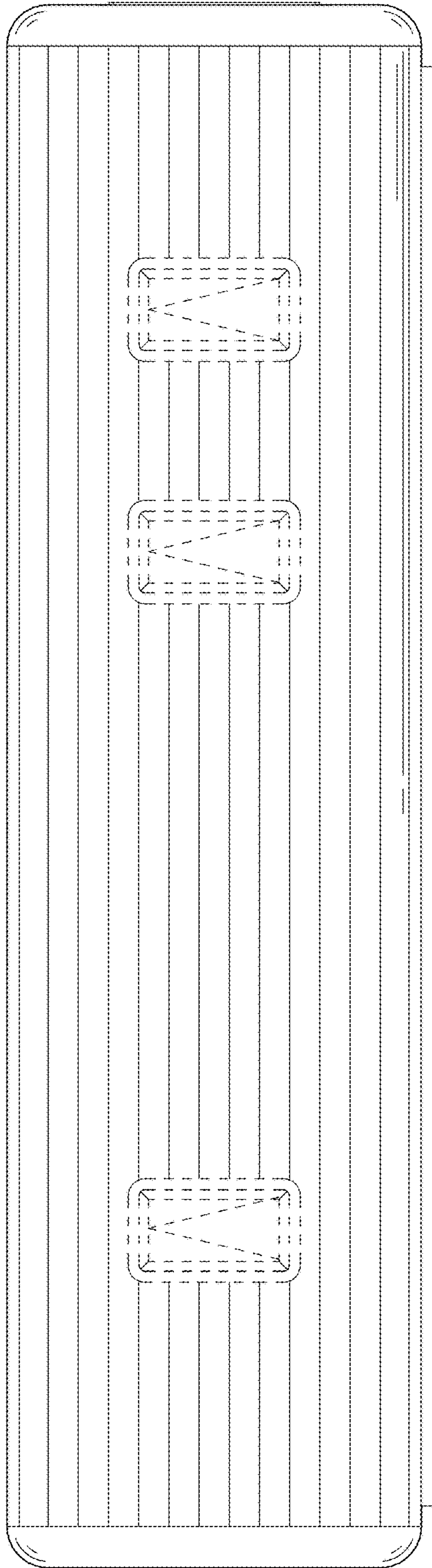


FIG. 4

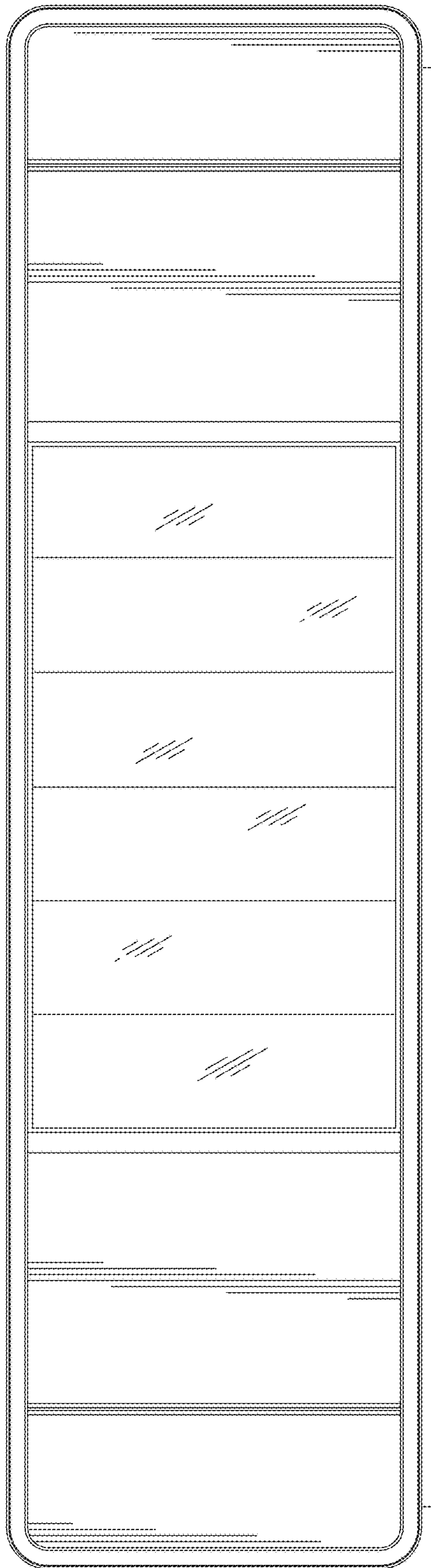


FIG. 5

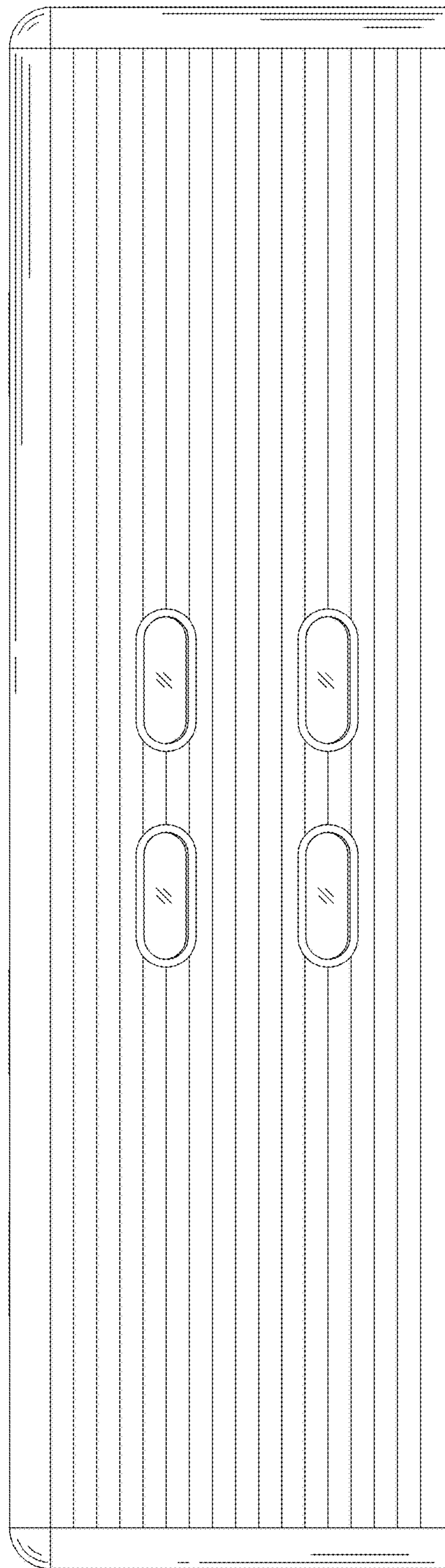


FIG. 6

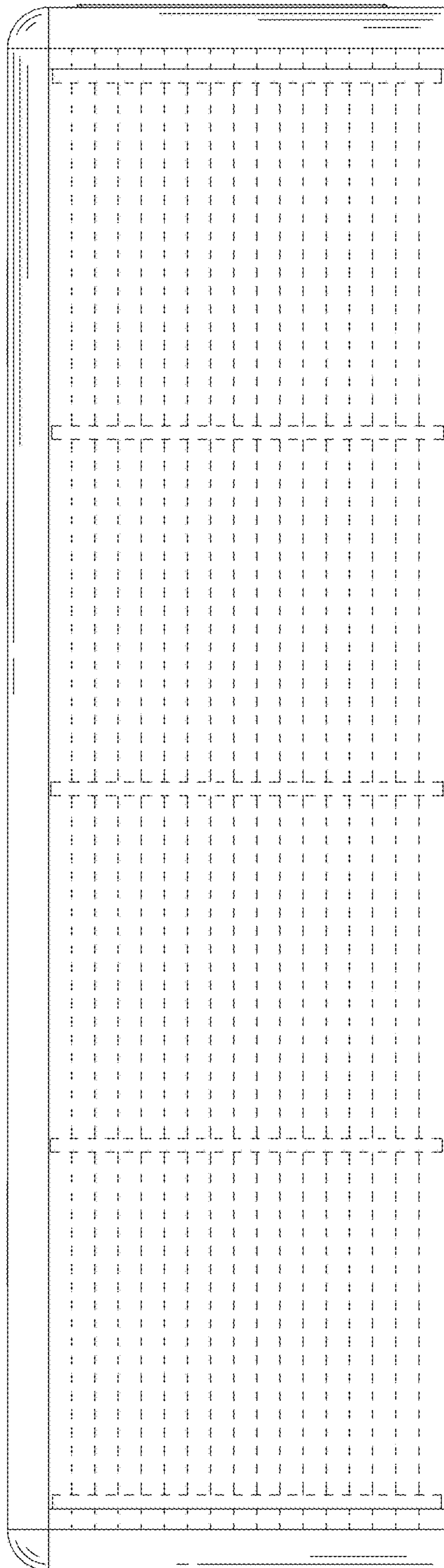


FIG. 7