



US00D844823S

(12) **United States Design Patent** (10) **Patent No.:** **US D844,823 S**
Contrata, Jr. et al. (45) **Date of Patent:** **** *Apr. 2, 2019**

(54) **CART CORRAL**

(71) Applicant: **RENEWABLE EDGE LLC**,
Tarrytown, NY (US)

(72) Inventors: **Richard C. Contrata, Jr.**, Harrison,
NY (US); **David J. Schaffer**, Suffern,
NY (US)

(73) Assignee: **RENEWABLE EDGE, LLC**,
Tarrytown, NY (US)

(*) Notice: This patent is subject to a terminal disclaimer.

(**) Term: **15 Years**

(21) Appl. No.: **29/598,993**

(22) Filed: **Mar. 30, 2017**

(51) **LOC (11) Cl.** **25-03**

(52) **U.S. Cl.**
USPC **D25/18; D20/19**

(58) **Field of Classification Search**
USPC **D25/1, 3, 4, 12, 15-34, 56; D21/837;**
D20/19

(Continued)

(56) **References Cited**

U.S. PATENT DOCUMENTS

3,255,769 A * 6/1966 Lloyd E04H 15/36
135/138
D338,073 S * 8/1993 Wall D25/1

(Continued)

OTHER PUBLICATIONS

Contrata, Jr. et al., "Cart Corral", Design U.S. Appl. No. 29/548,084, filed Dec. 10, 2015.

Primary Examiner — Brett Miller

(74) *Attorney, Agent, or Firm* — The Marbury Law Group, PLLC

(57) **CLAIM**

The ornamental design for a cart corral, as shown and described.

DESCRIPTION

FIG. 1 is a front right perspective view of the cart corral design according to a first embodiment.

FIG. 2 is a front view of the cart corral design according to the first embodiment.

FIG. 3 is a rear view of the cart corral design according to the first embodiment.

FIG. 4 is a right side view of the cart corral design according to the first embodiment.

FIG. 5 is a left side view of the cart corral design according to the first embodiment.

FIG. 6 is a top view of the cart corral design according to the first embodiment.

FIG. 7 is a bottom view of the cart corral design according to the first embodiment.

FIG. 8 is a rear right perspective view of the cart corral design according to the first embodiment.

FIG. 9 is a front right perspective view of the cart corral design according to a second embodiment.

FIG. 10 is a front view of the cart corral design according to the second embodiment.

FIG. 11 is a rear view of the cart corral design according to the second embodiment.

FIG. 12 is a right side view of the cart corral design according to the second embodiment.

FIG. 13 is a left side view of the cart corral design according to the second embodiment.

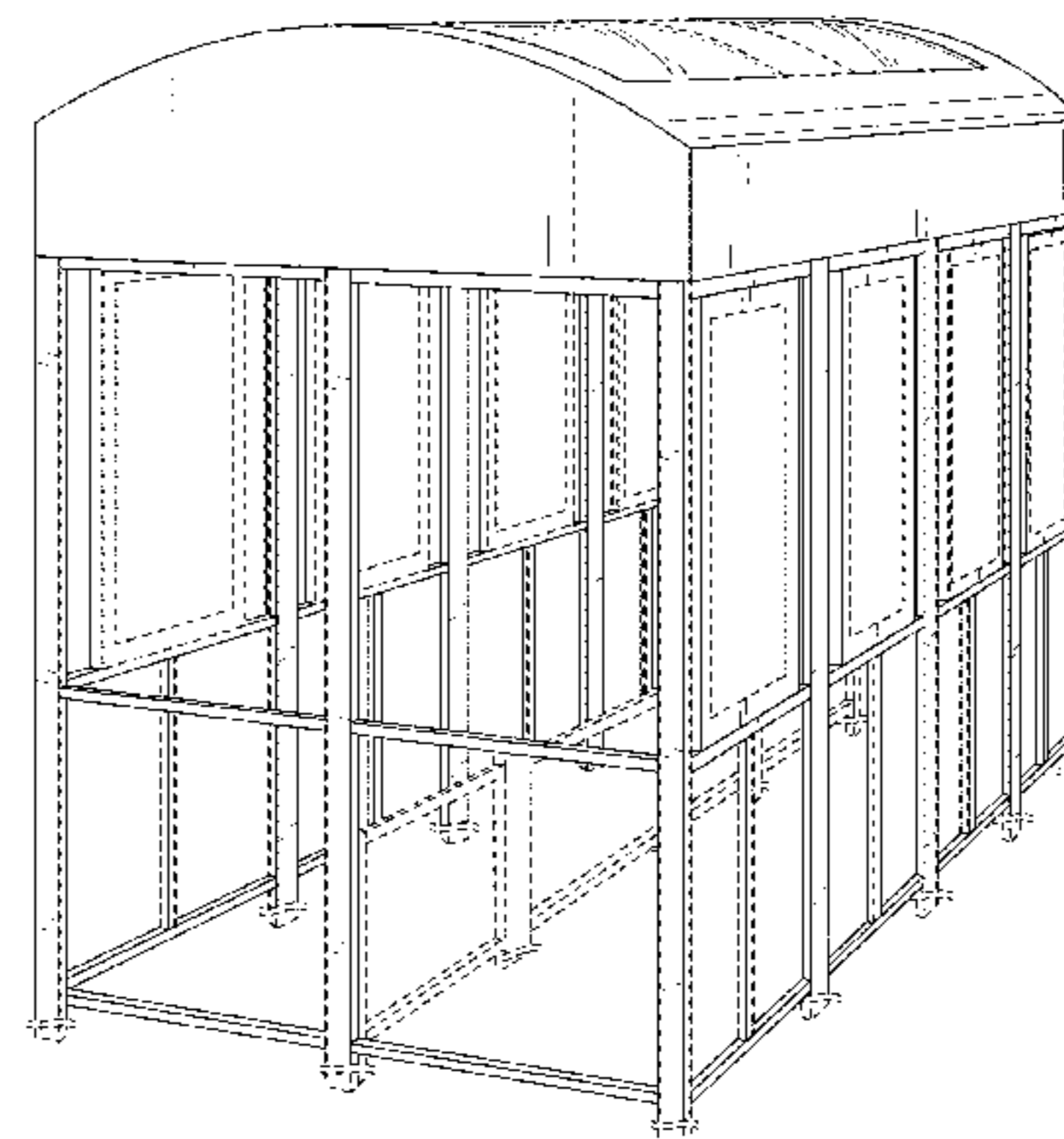
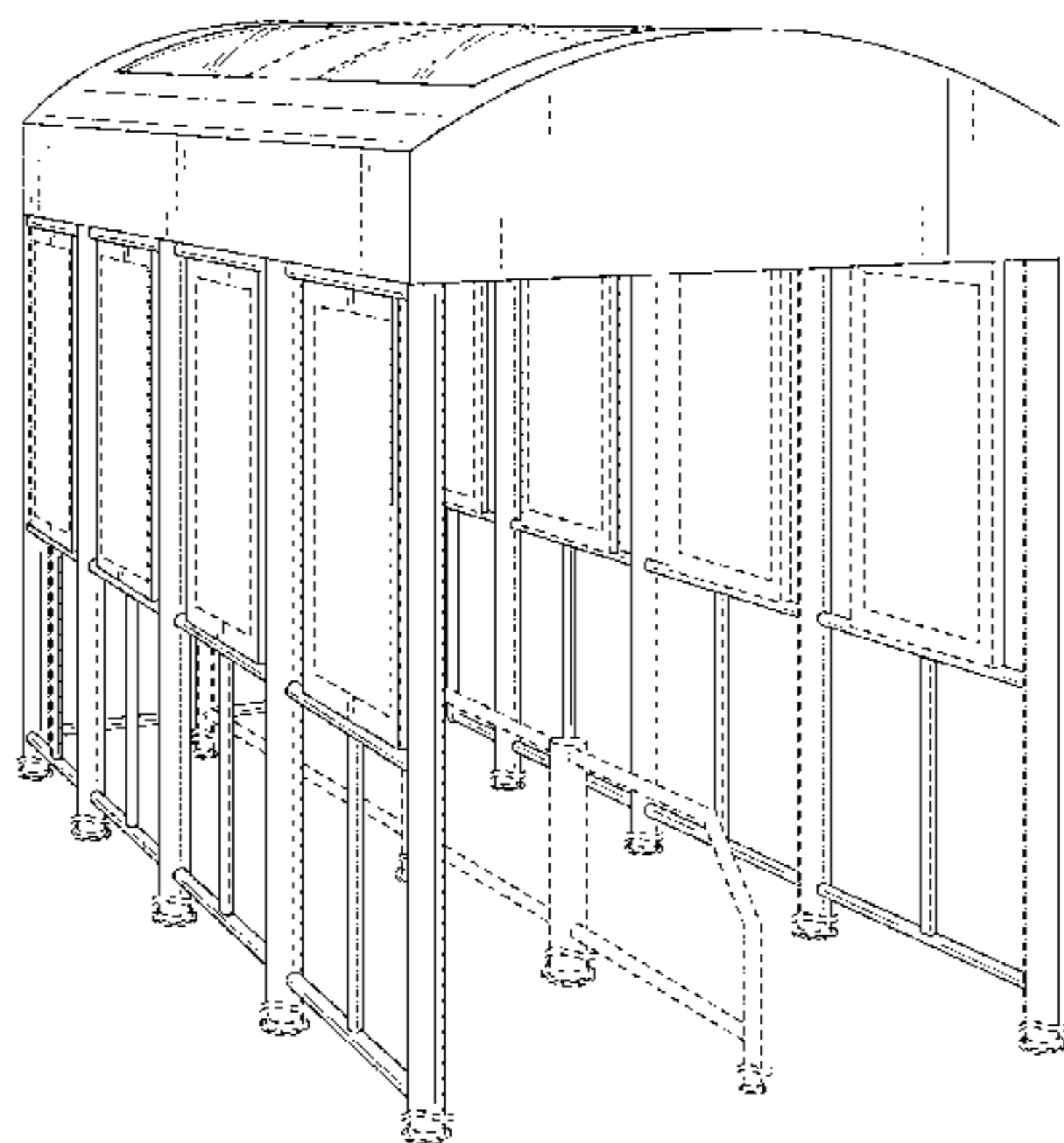
FIG. 14 is a top view of the cart corral design according to the second embodiment.

FIG. 15 is a bottom view of the cart corral design according to the second embodiment; and,

FIG. 16 is a rear right perspective view of the cart corral design according to the second embodiment.

The broken lines shown in FIGS. 1-16 represent portions of the cart corral design that form no part of the claim. The design is shown with symbolic break lines. The appearance

(Continued)



of any portion of the article between the break lines forms
no part of the claimed design.

1 Claim, 16 Drawing Sheets

(58) Field of Classification Search

CPC E04H 6/44; E04H 6/025; E04H 1/1205;
E04H 15/36; E04B 1/342; E04B 1/3205;
E04B 1/34305; E04B 7/166

See application file for complete search history.

(56) References Cited

U.S. PATENT DOCUMENTS

D374,088 S * 9/1996 Collier D25/56
D376,854 S 12/1996 DiPaolo et al.
D404,835 S 1/1999 Stute
D436,669 S 1/2001 Kieffer

D449,115 S 10/2001 Harris et al.
D458,688 S * 6/2002 Phifer D25/4
D461,562 S * 8/2002 Hansen D25/18
D475,468 S 6/2003 Stein
D500,556 S 1/2005 Cahill
D530,022 S 10/2006 Haymann et al.
D540,472 S 4/2007 Van Es
D565,198 S 3/2008 Tung
D579,121 S 10/2008 Gibson
D659,852 S * 5/2012 Everson D25/18
D681,762 S * 5/2013 Kayser D21/837
D699,789 S 2/2014 Allen
D701,322 S * 3/2014 McCue D25/32
D725,287 S 3/2015 Allen
D788,319 S * 5/2017 LeMoine D21/837
D788,320 S * 5/2017 Contrata, Jr. D25/18
2005/0194031 A1 * 9/2005 Goldwitz E04H 15/44
135/128
2016/0270563 A1 9/2016 Contrata, Jr. et al.
2017/0314291 A1 * 11/2017 LeMoine E04H 15/36

* cited by examiner

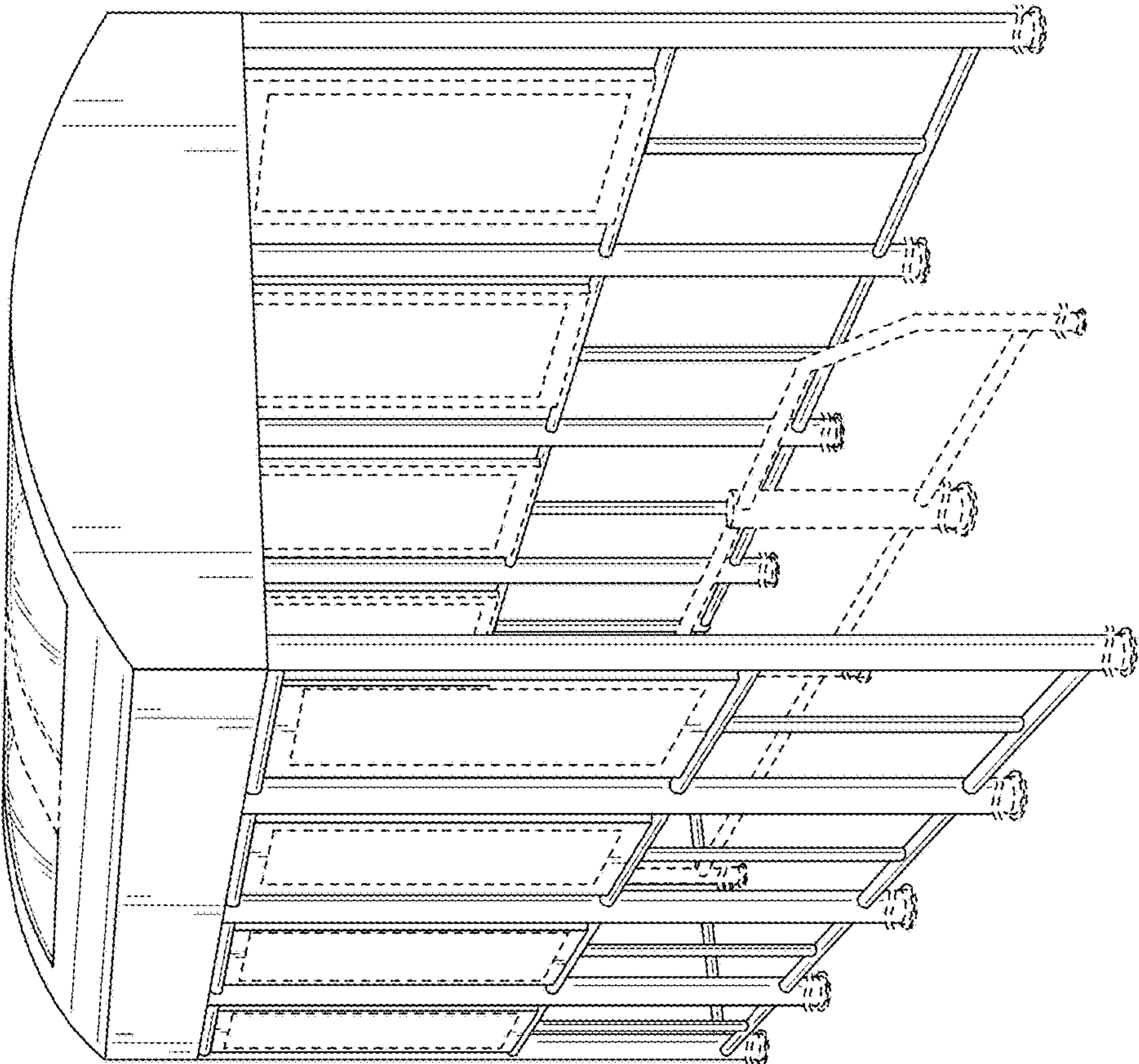


FIG. 1

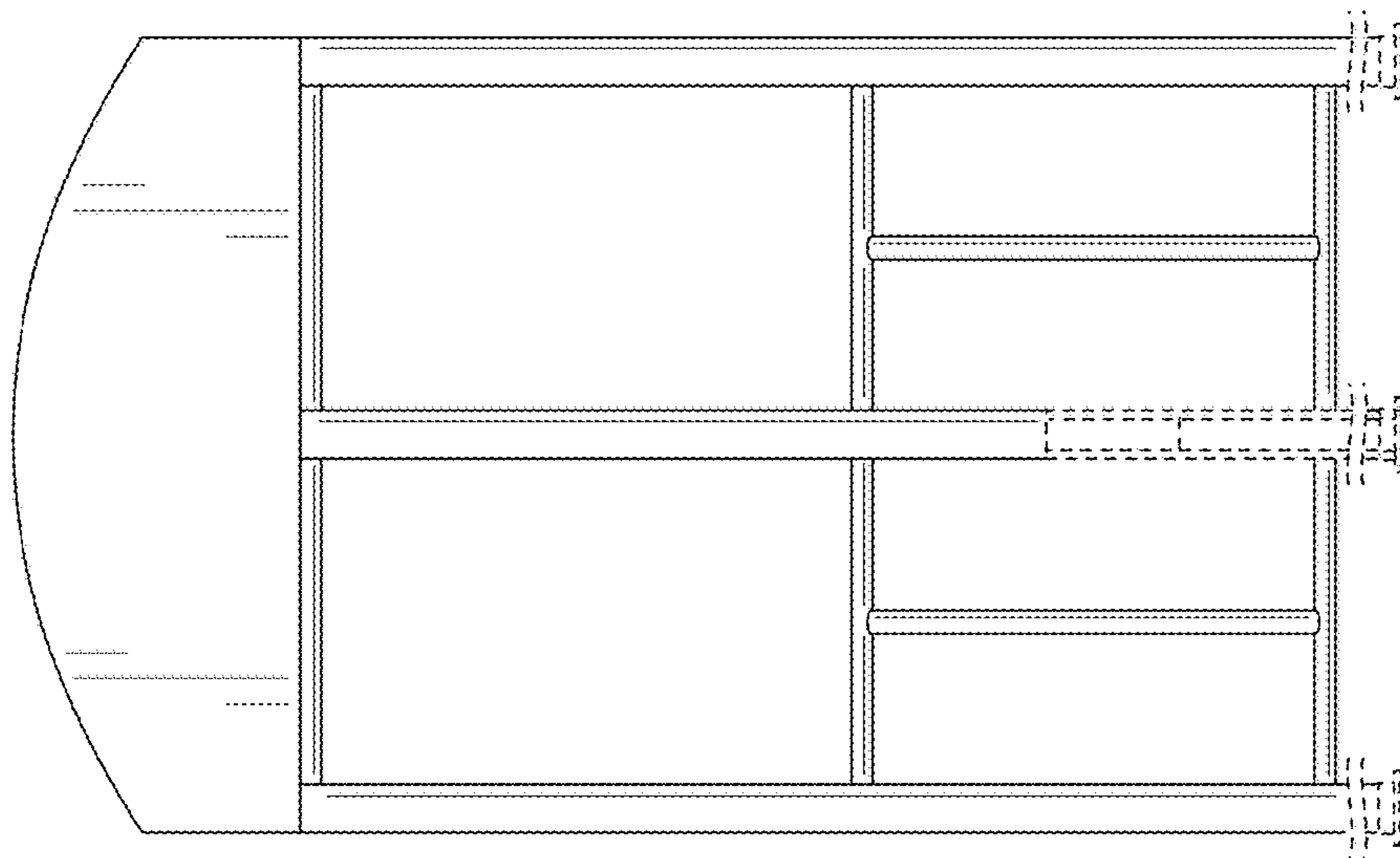


FIG. 2

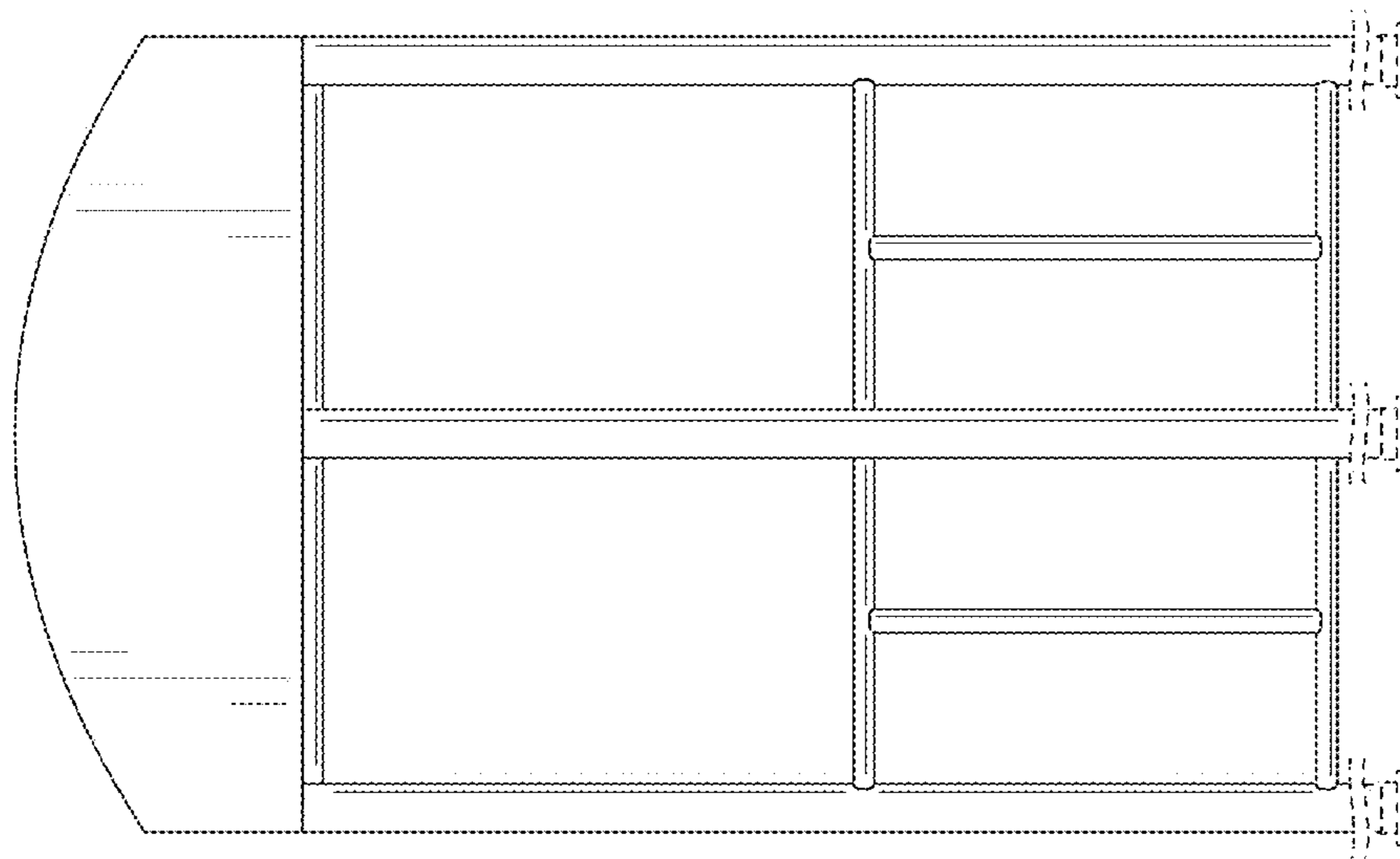


FIG. 3

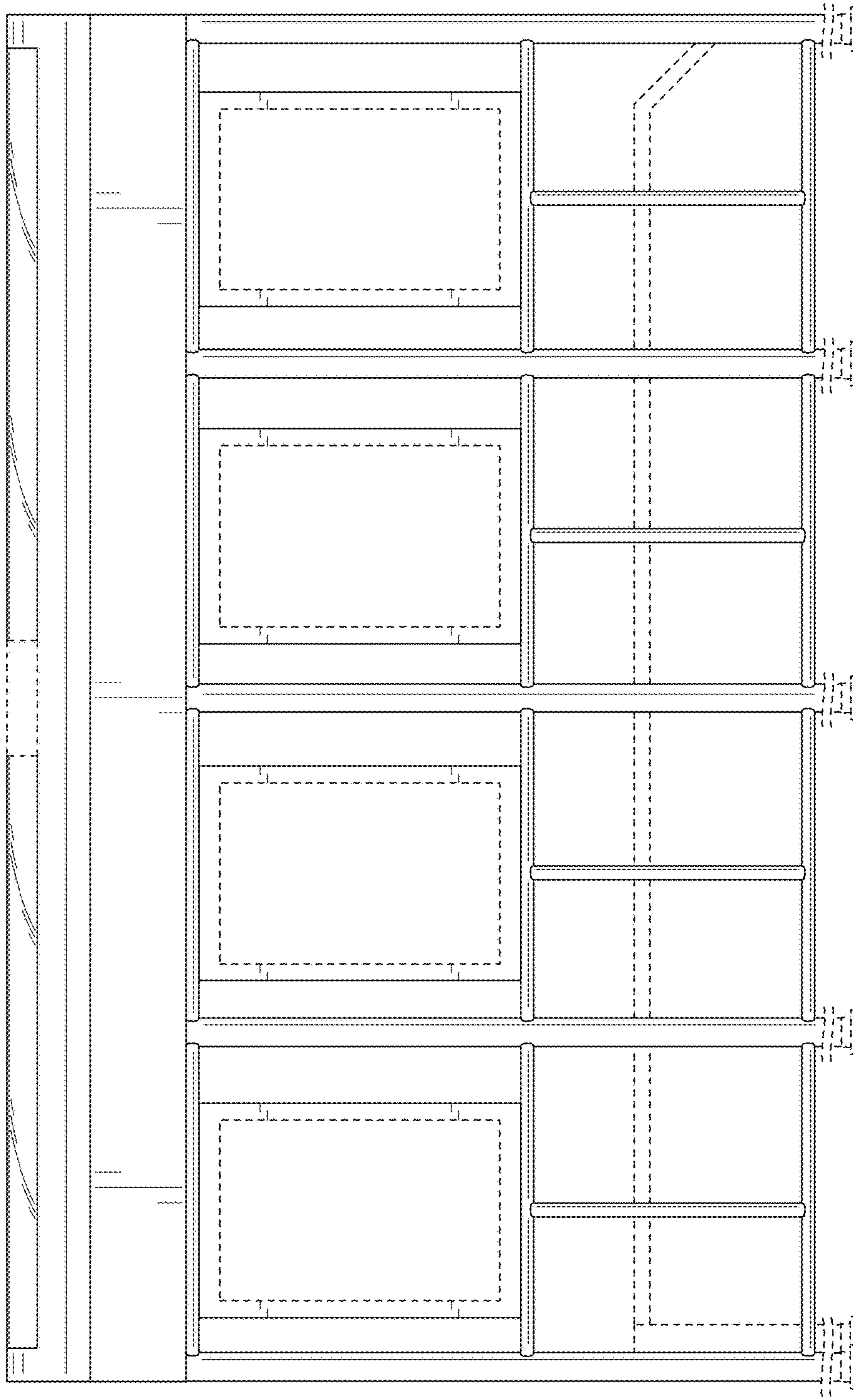


FIG. 4

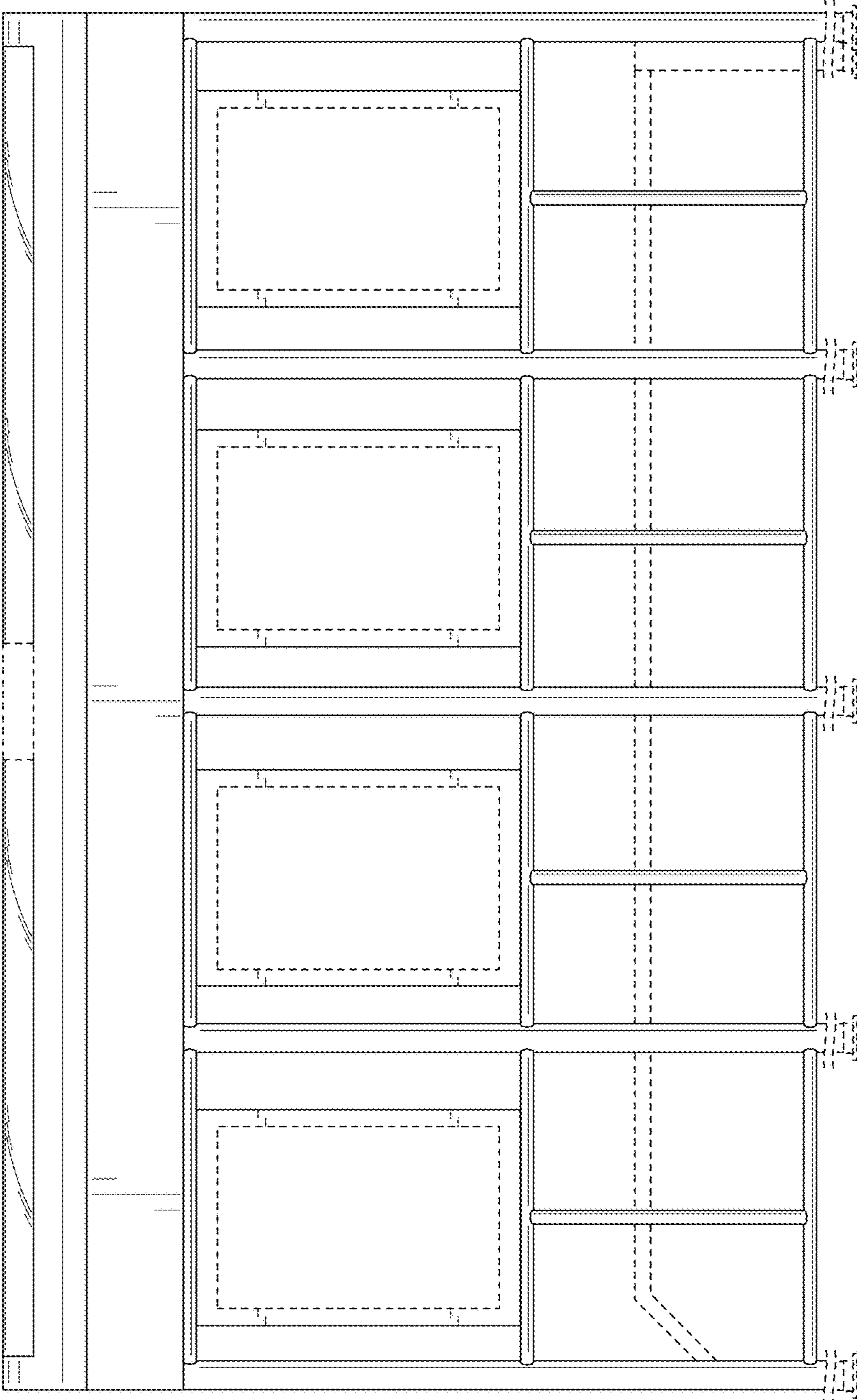


FIG. 5

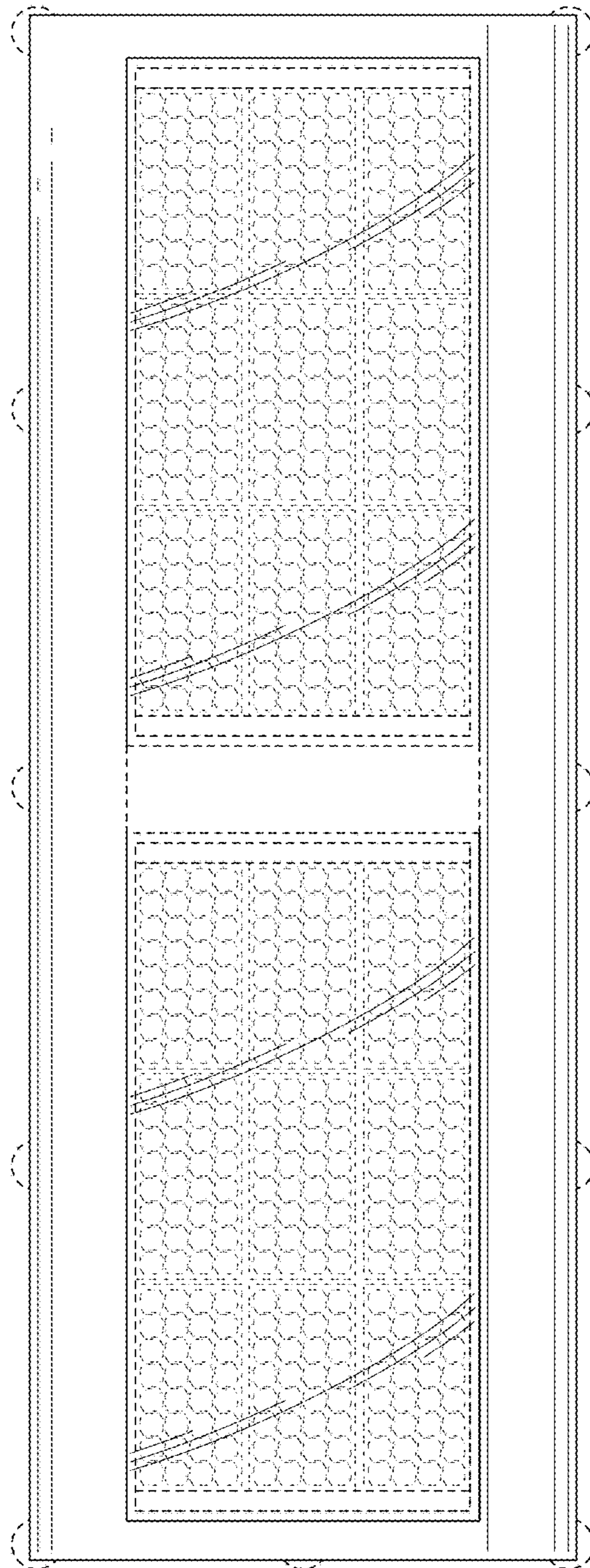


FIG. 6

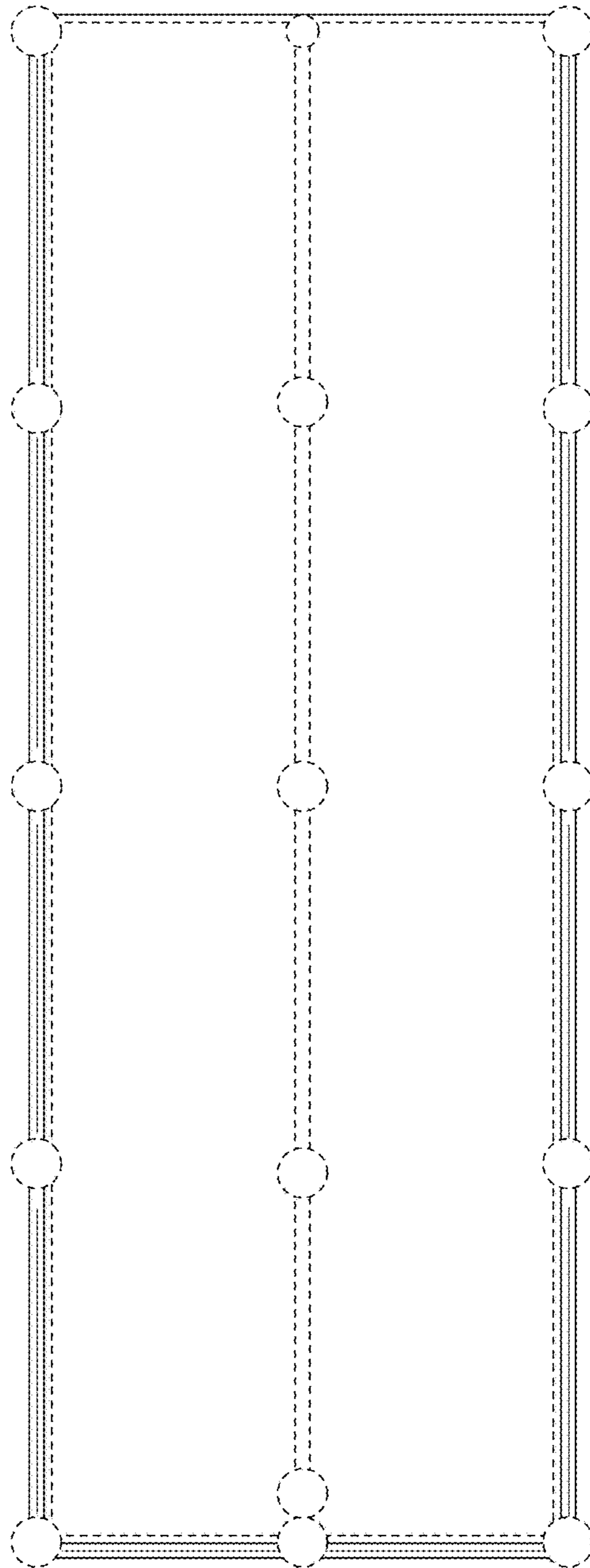


FIG. 7

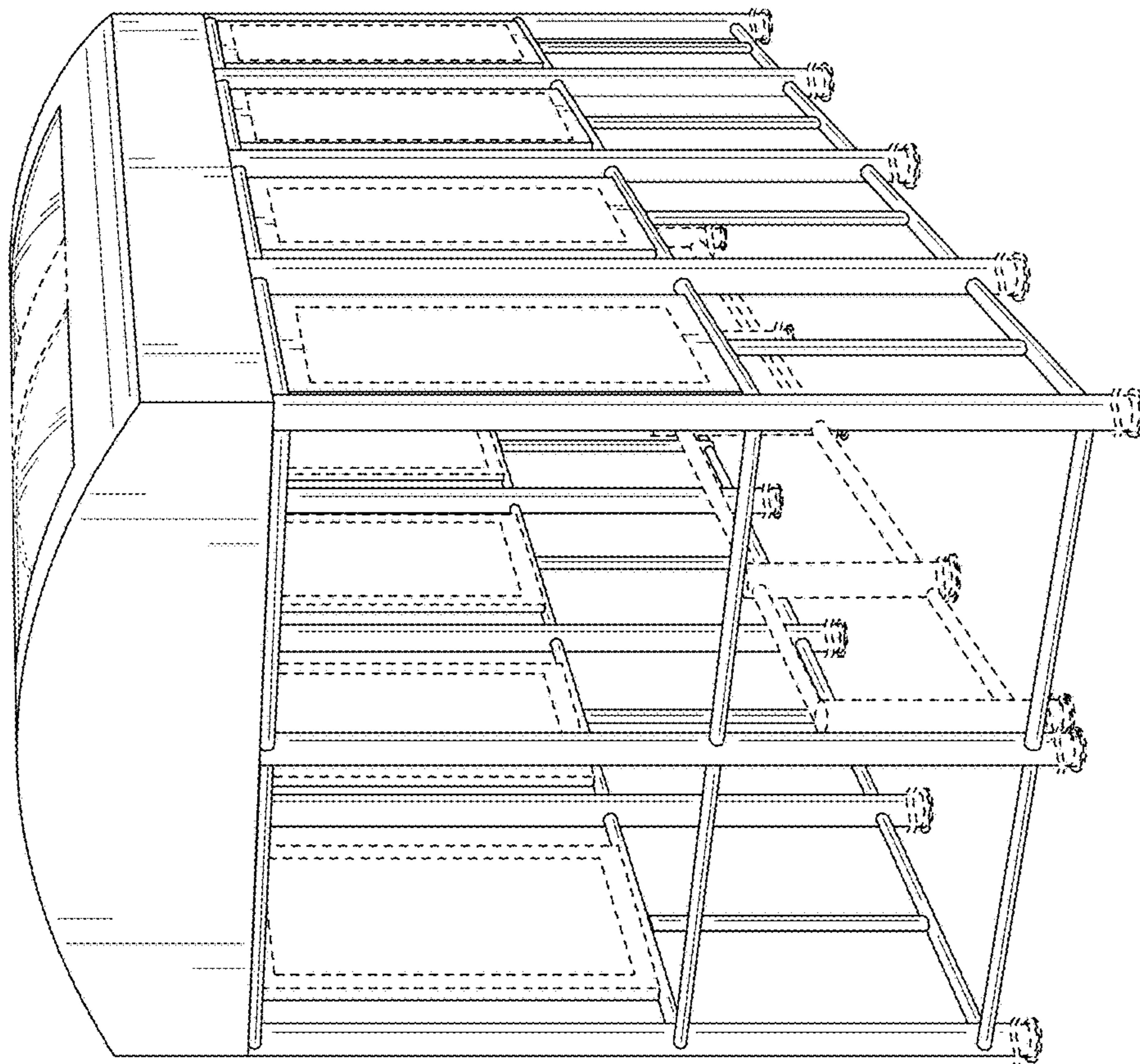


FIG. 8

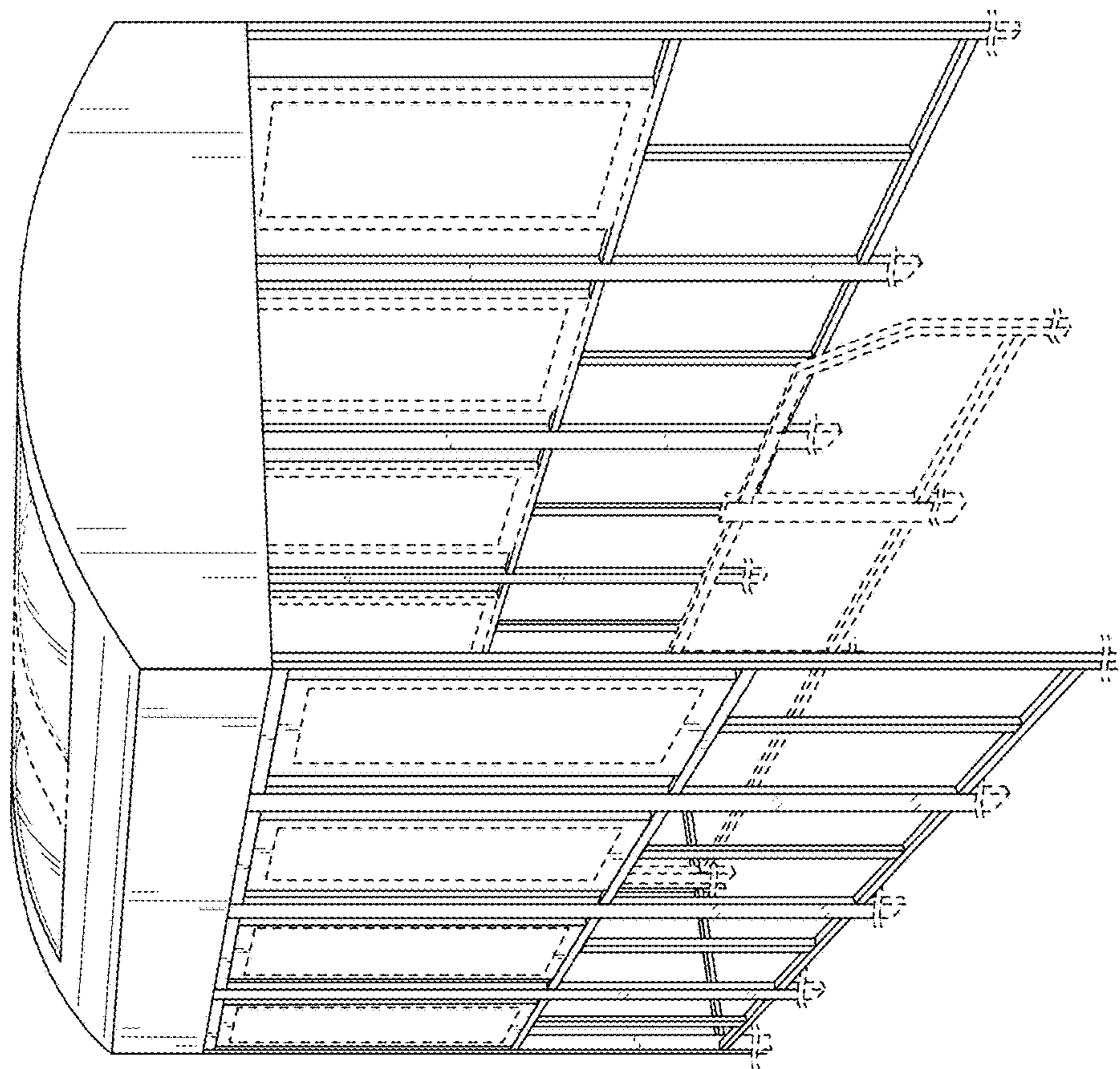


FIG. 9

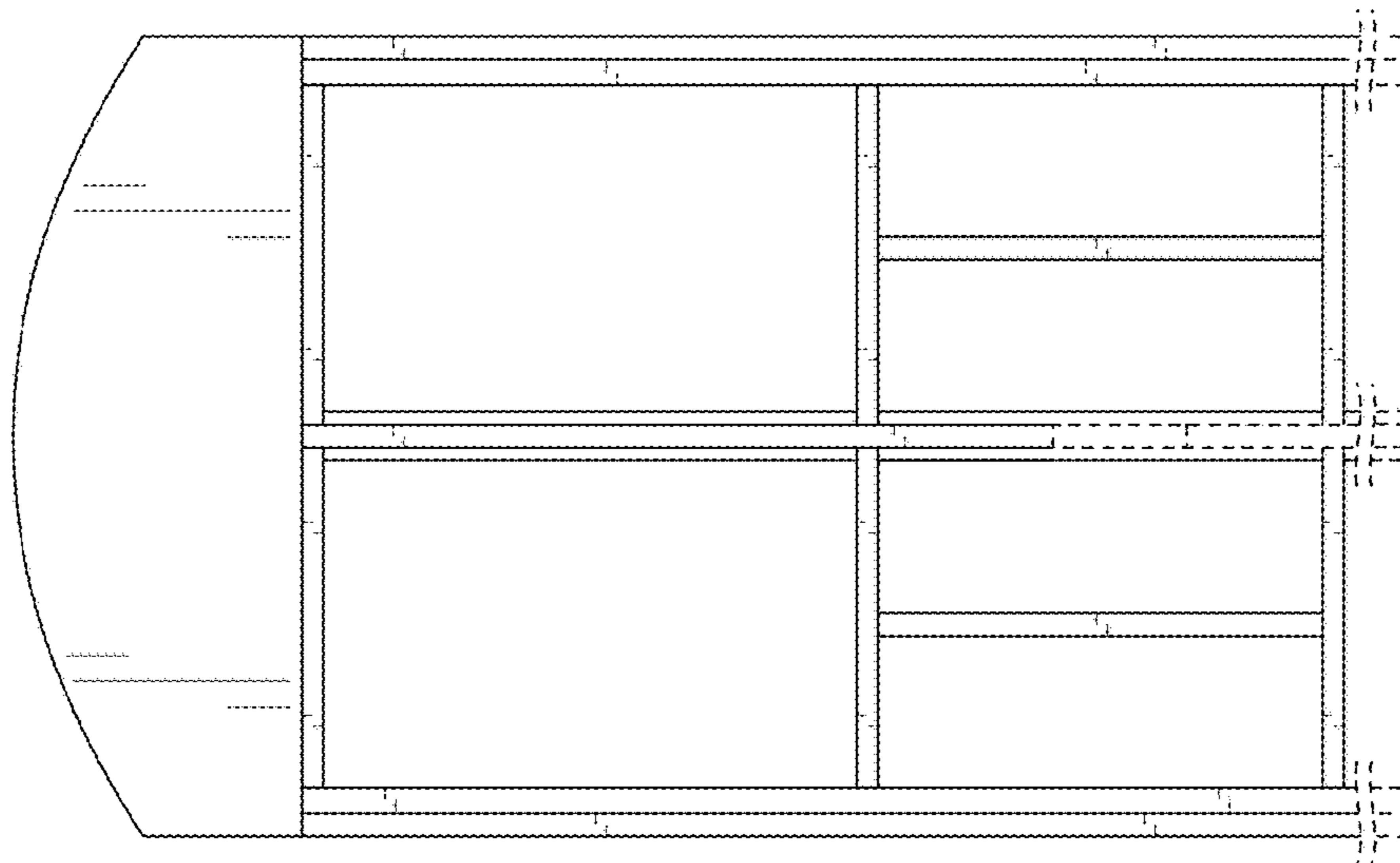


FIG. 10

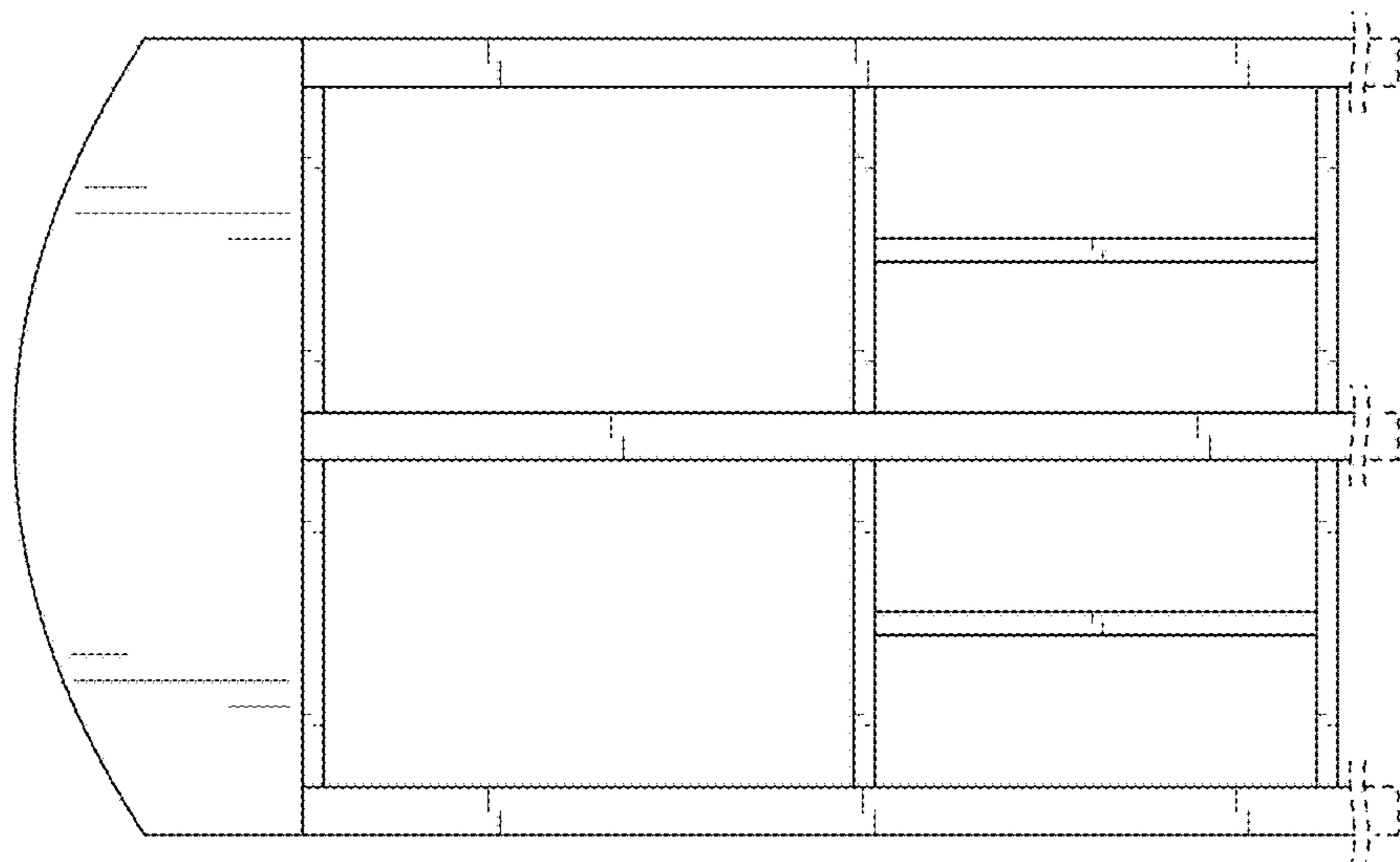


FIG. 11

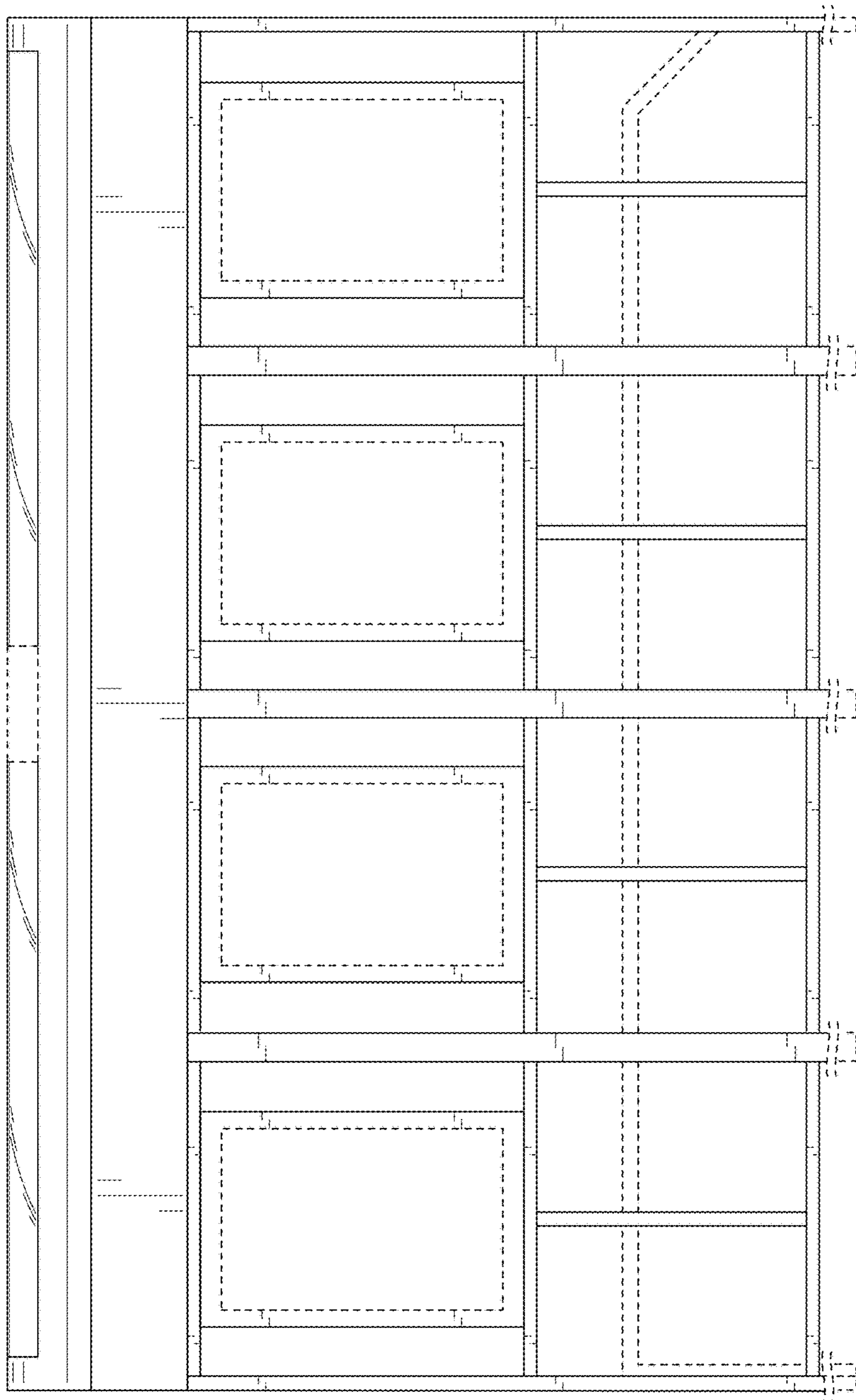


FIG. 12

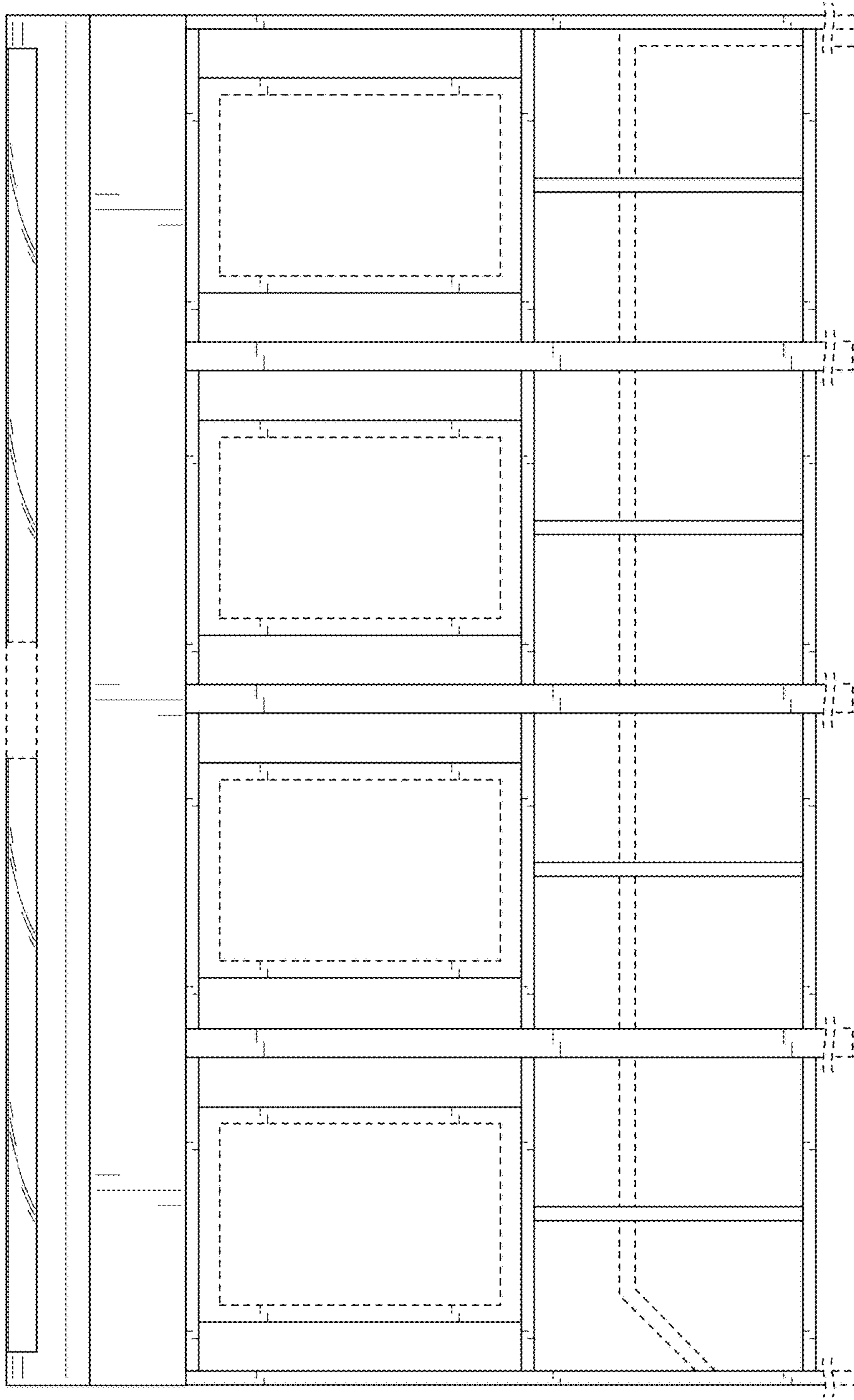


FIG. 13

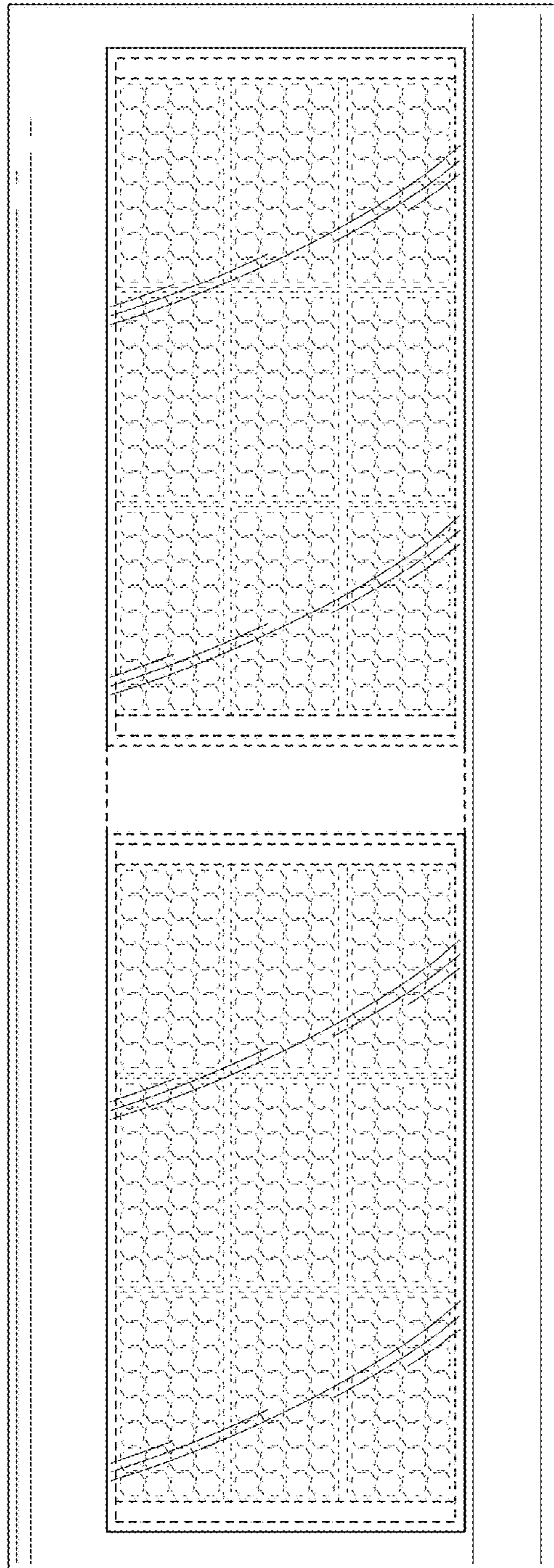


FIG. 14

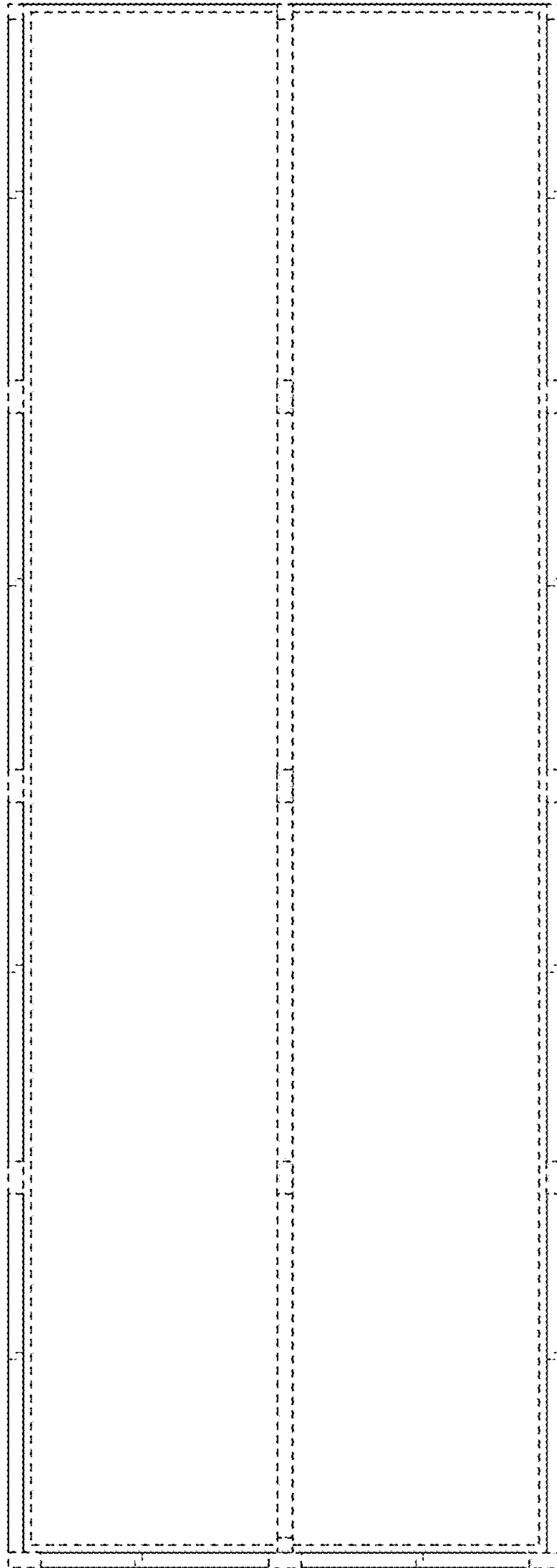


FIG. 15

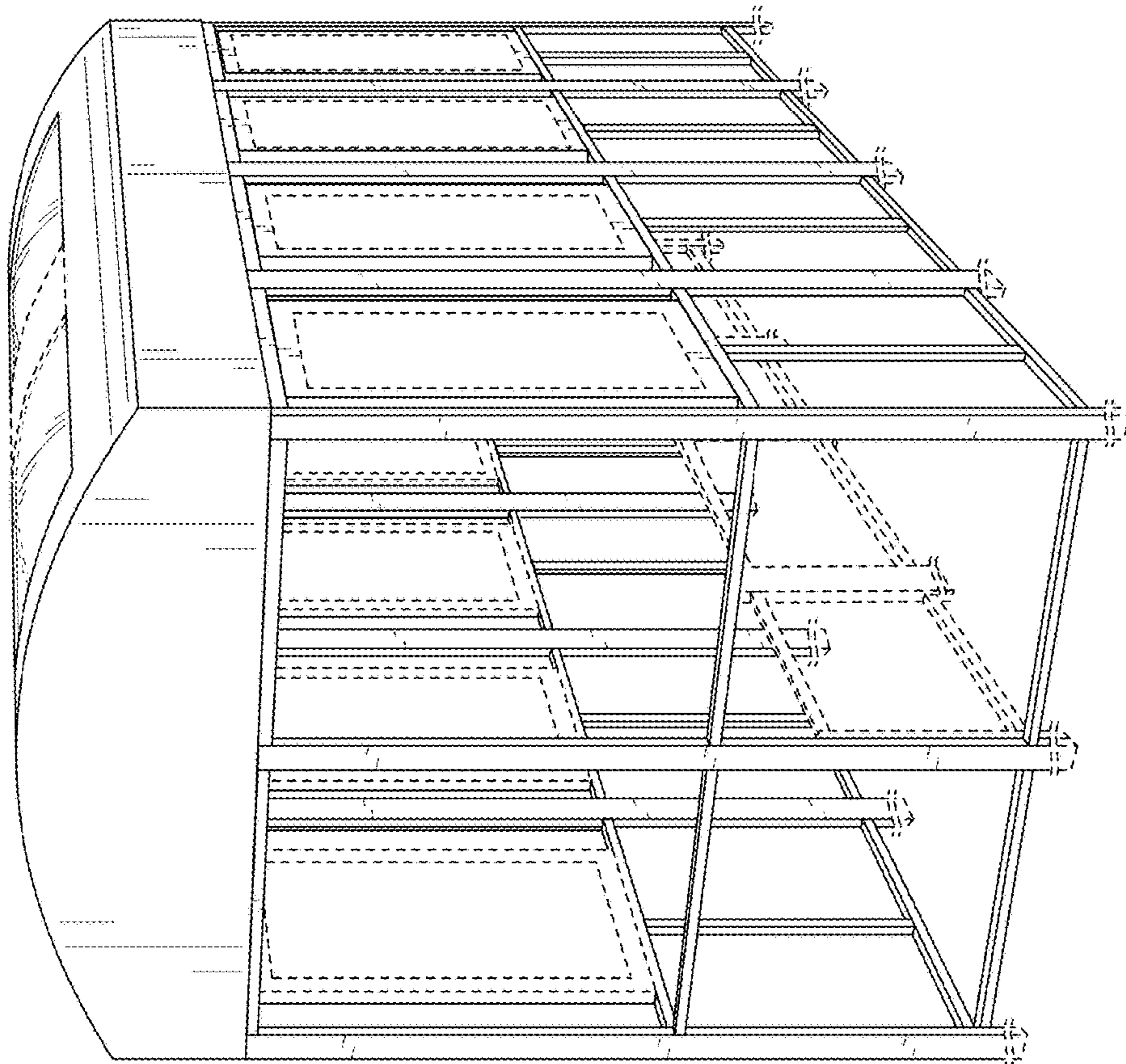


FIG. 16