



US00D844821S

(12) **United States Design Patent** (10) **Patent No.:** **US D844,821 S**
Boe-Wiegaard (45) **Date of Patent:** **** Apr. 2, 2019**

(54) **TENNIS COURT ROOF**

(71) Applicant: **William Boe-Wiegaard**, Easton, CT (US)
(72) Inventor: **William Boe-Wiegaard**, Easton, CT (US)
(73) Assignee: **William Boe-Wiegaard**, Easton, CT (US)

(**) Term: **15 Years**

(21) Appl. No.: **29/594,427**

(22) Filed: **Feb. 17, 2017**

(51) **LOC (11) Cl.** **25-03**

(52) **U.S. Cl.**
USPC **D25/18; D25/56**

(58) **Field of Classification Search**
USPC D25/1, 3-6, 12-34, 56; 52/64, 66, 67
CPC E04H 1/00-1/06; E04H 3/00-3/14; E04H 3/165; E04H 4/086; E04B 7/166
See application file for complete search history.

(56) **References Cited**

U.S. PATENT DOCUMENTS

2,052,217 A	8/1936	De Sibour	
3,333,621 A	8/1967	Elder	
3,443,344 A *	5/1969	Williams, Jr.	E04B 1/34378 D25/56
3,510,996 A	5/1970	Popil	
3,815,299 A	6/1974	Sorensen	
D240,216 S *	6/1976	Suuronen	D25/18
D245,424 S	8/1977	Mount	
4,175,361 A	11/1979	Kumode	
D255,837 S *	7/1980	Leasure	D25/18

(Continued)

FOREIGN PATENT DOCUMENTS

CN	204826362 U	8/1915
CN	105239711 A	11/2015
JP	4024372 B2	2/1998

OTHER PUBLICATIONS

Photo Feb. 5, 12 31 47 PM, internet image search, "retractable roof".

(Continued)

Primary Examiner — Brett Miller

(74) *Attorney, Agent, or Firm* — Kim Rubin, Patent Agent

(57) **CLAIM**

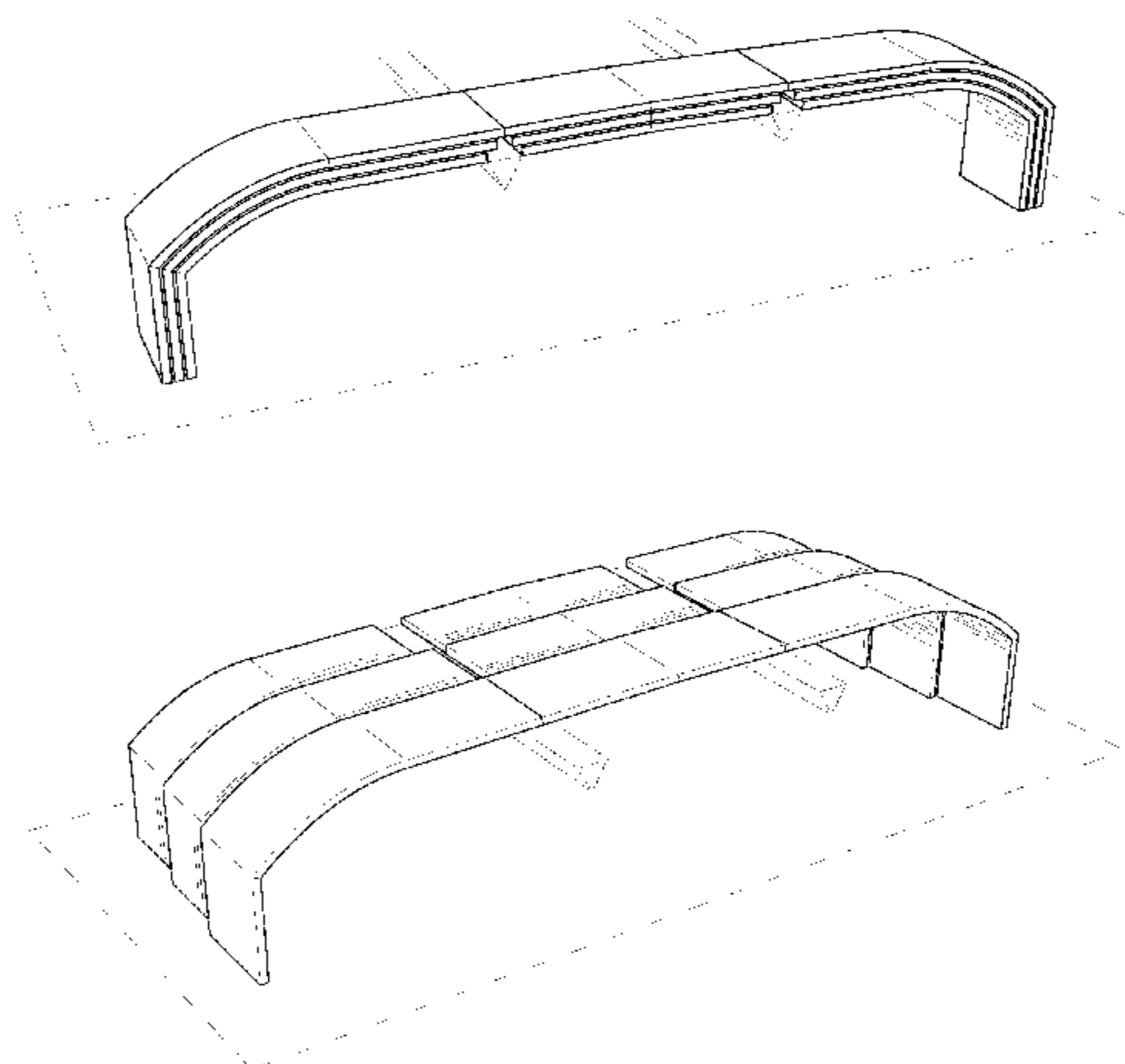
The ornamental design for a tennis court roof, as shown and described.

DESCRIPTION

FIG. 1 is a perspective view with the tennis court roof half open;
FIG. 2 is a top view thereof;
FIG. 3 is a right side view thereof;
FIG. 4 is a left side view thereof;
FIG. 5 is a front view thereof;
FIG. 6 is a rear view thereof;
FIG. 7 is a perspective view with the tennis court roof open;
FIG. 8 is a top view thereof;
FIG. 9 is a right side view thereof;
FIG. 10 is a left side view thereof;
FIG. 11 is a front view thereof;
FIG. 12 is a rear view thereof;
FIG. 13 is a perspective view with the tennis court roof closed;
FIG. 14 is a top view thereof;
FIG. 15 is a right side view thereof;
FIG. 16 is a left side view thereof;
FIG. 17 is a front view thereof; and,
FIG. 18 is a rear view thereof.

A mechanical support structure, not claimed, is shown in dotted outline. The ground, not claimed, is shown in dotted outline.

1 Claim, 12 Drawing Sheets



(56)

References Cited

U.S. PATENT DOCUMENTS

D256,163 S 7/1980 Dryer
 D259,956 S * 7/1981 Shaara, Sr. D25/1
 4,616,451 A 10/1986 Glick
 4,674,241 A 6/1987 Sarrazin
 4,682,449 A 7/1987 Berger
 4,683,686 A * 8/1987 Ozdemir E04H 3/165
 52/63
 4,727,688 A 3/1988 Kida
 4,738,057 A 4/1988 Logan
 D304,081 S 10/1989 Vero
 4,942,698 A 7/1990 Kumagai
 5,063,730 A 11/1991 Muramoto
 5,101,605 A 4/1992 Masuyama et al.
 5,117,549 A 6/1992 Gaudreau
 5,351,449 A 10/1994 Allen
 D393,319 S 4/1998 Reuter
 5,797,224 A * 8/1998 Gunthardt E04B 1/34305
 52/64
 5,907,928 A * 6/1999 Charbonnel E04H 3/165
 160/202
 6,082,054 A * 7/2000 Silberman E04B 7/166
 52/6
 6,430,879 B1 * 8/2002 Nuiry E04B 1/34305
 52/67
 D477,417 S 7/2003 Holl

D511,215 S * 11/2005 Vaia D25/1
 D553,763 S 10/2007 Chung
 D648,864 S 11/2011 Backus et al.
 D794,826 S * 8/2017 Fletcher D25/12
 2003/0000154 A1 * 1/2003 Ignazio E04H 3/165
 52/66
 2003/0145882 A1 * 8/2003 Sanna E04H 3/165
 135/128

OTHER PUBLICATIONS

Photo Feb. 5, 12 32 33 PM, internet image search, “retractable roof”.
 Photo Feb. 5, 12 32 52 PM, internet image search, “retractable roof”.
 Photo Feb. 5, 12 33 24 PM, internet image search, “retractable roof”.
 Photo Feb. 5, 12 38 03 PM, internet image search, “retractable roof”.
 Photo Feb. 5, 12 49 01 PM, internet image search, “retractable roof”.
 Photo Feb. 5, 12 49 17 PM, internet image search, “retractable roof”.
 Photo Feb. 5, 12 49 28 PM, internet image search, “retractable roof”.

* cited by examiner

Fig. 1

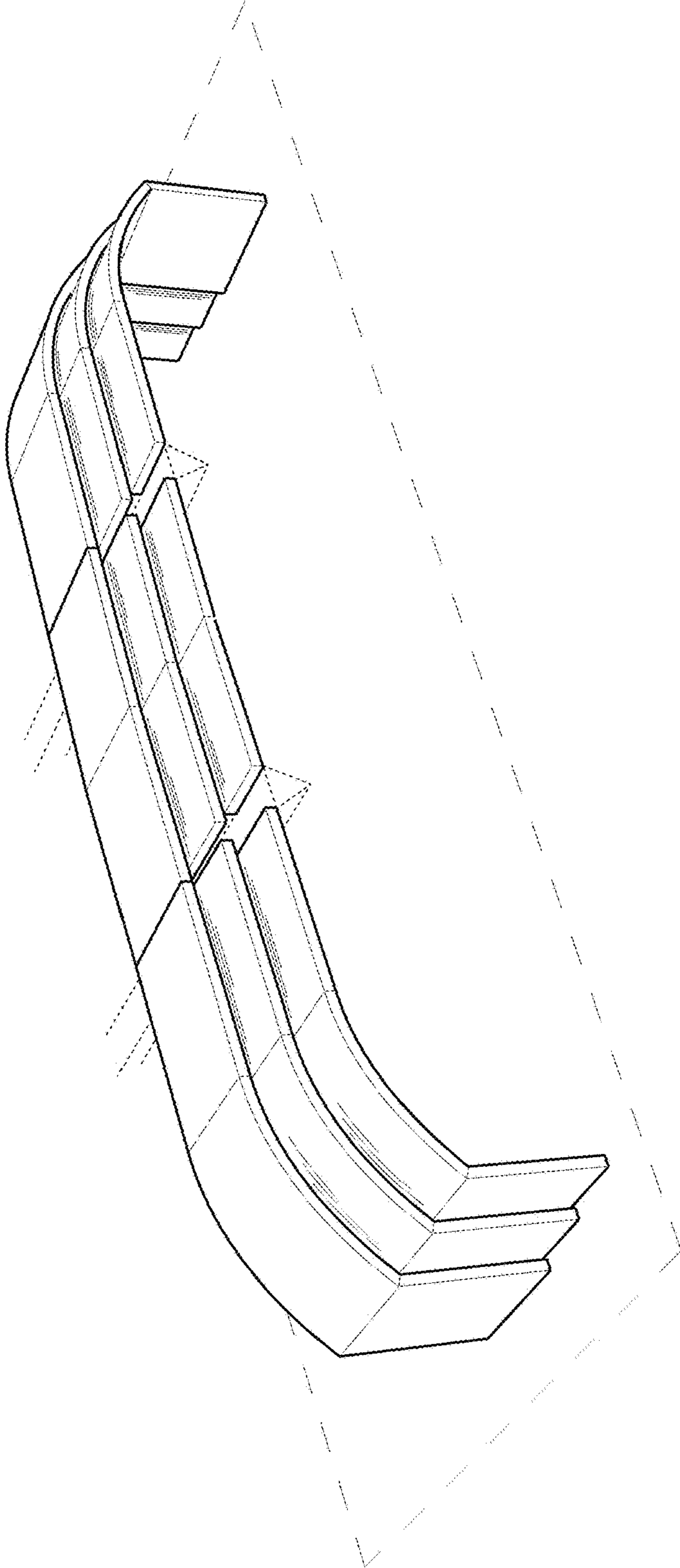


Fig. 2



Fig. 3

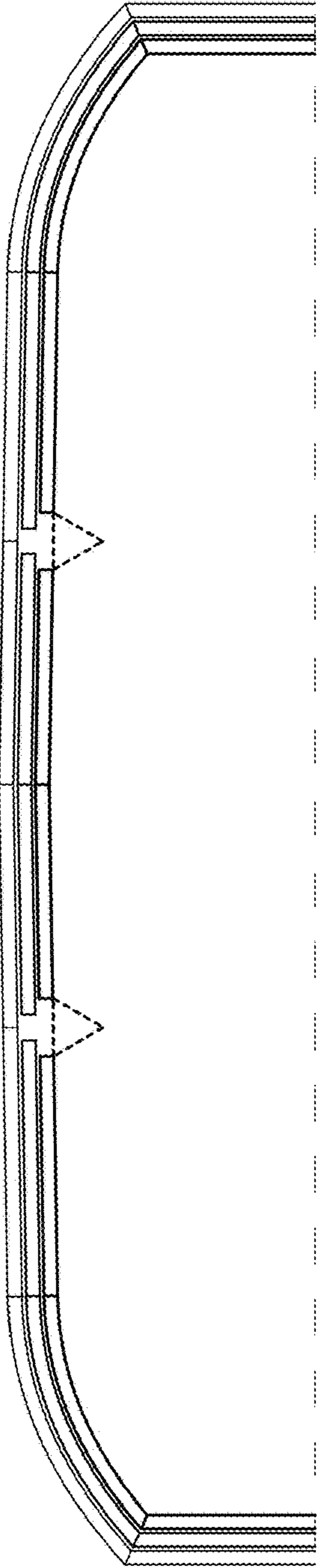


Fig. 4

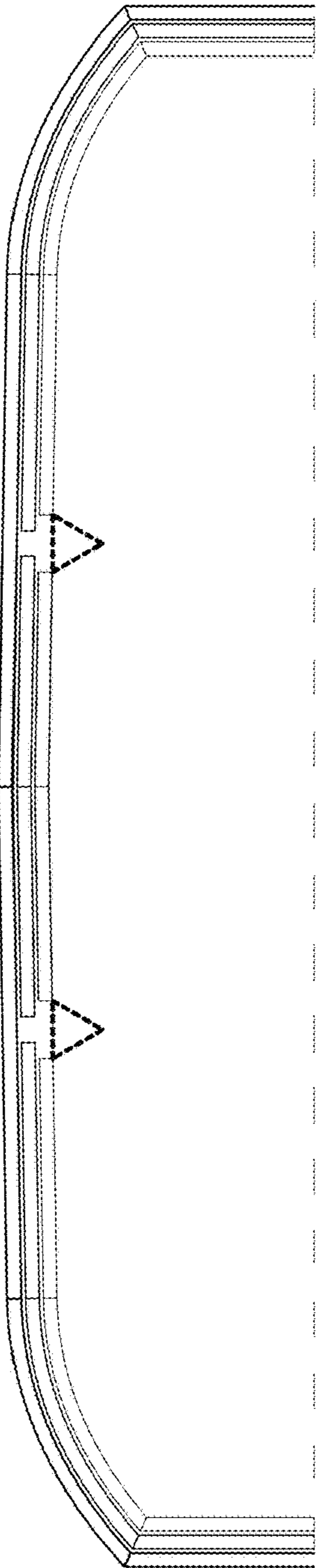


Fig. 5

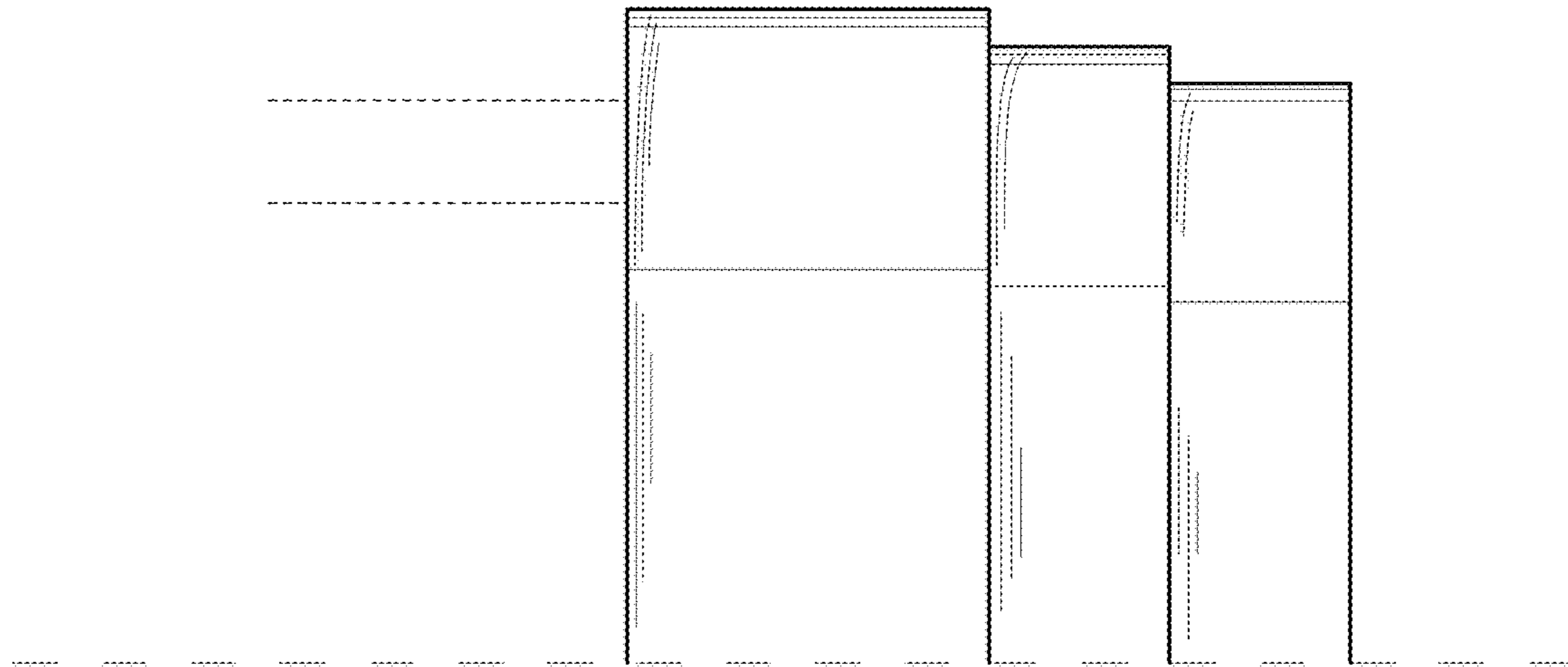


Fig. 6

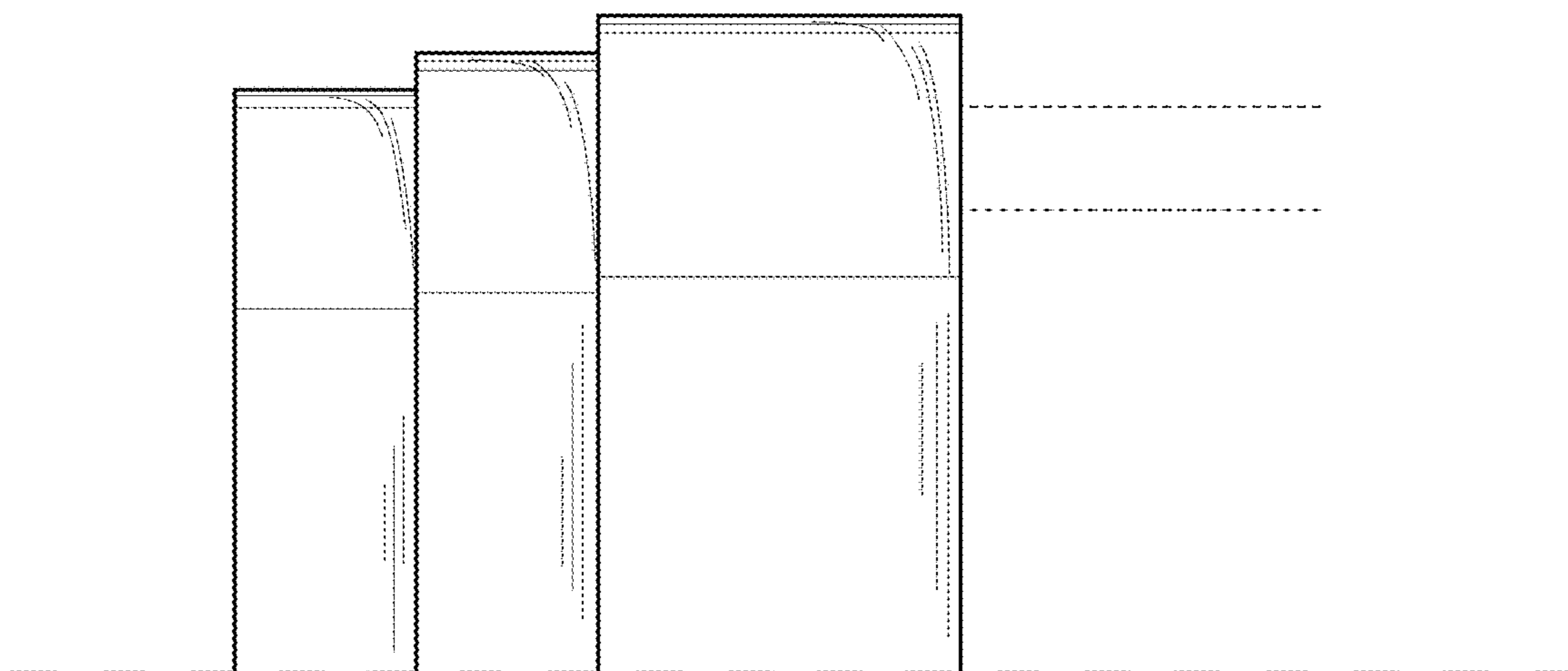


Fig. 7

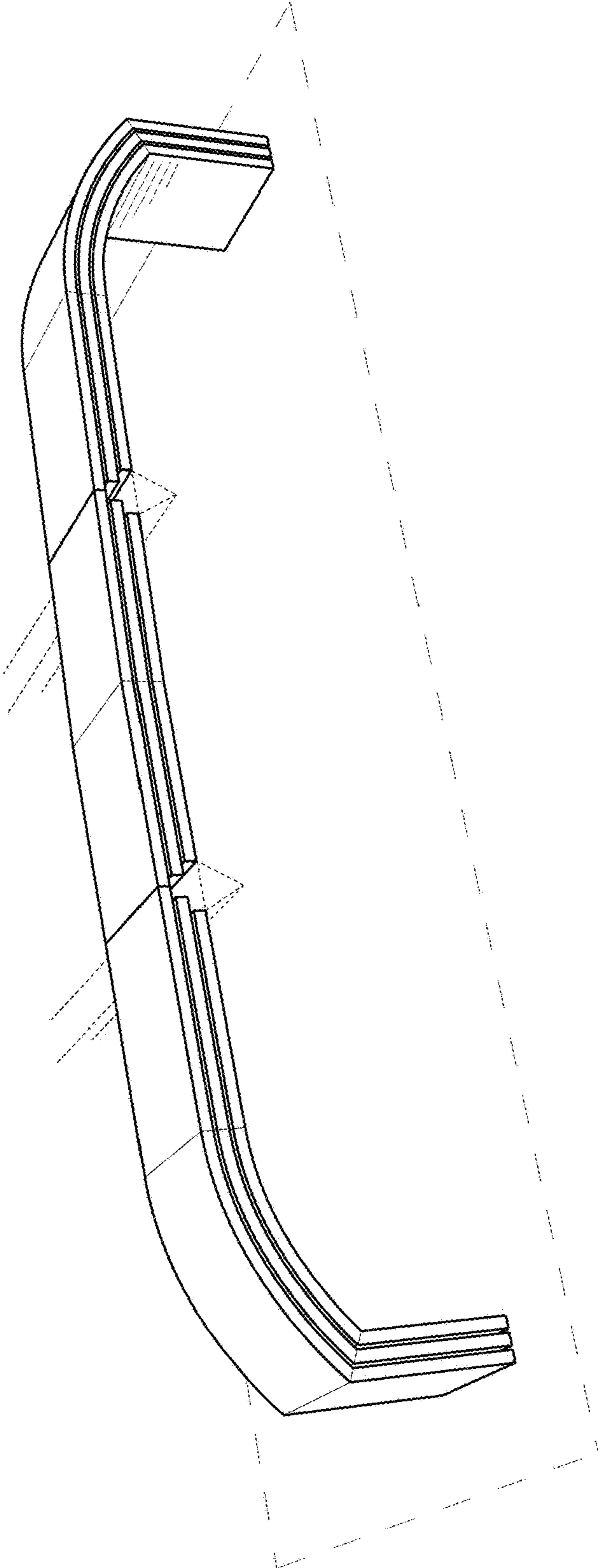


Fig. 8

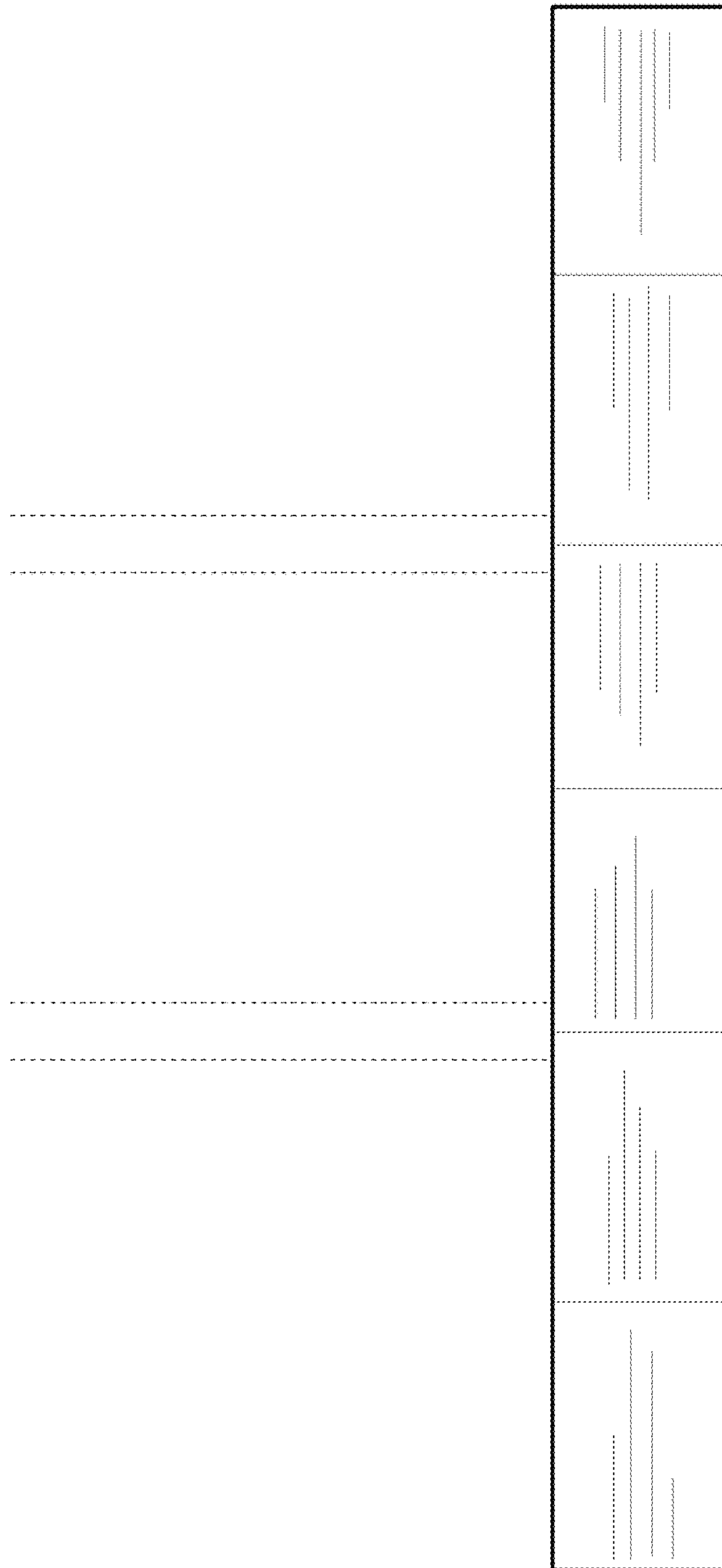


Fig. 9

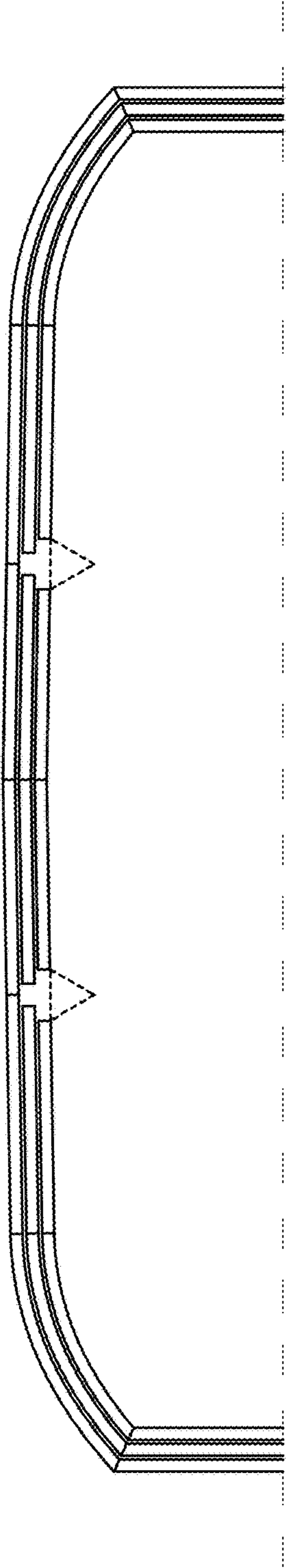


Fig. 10

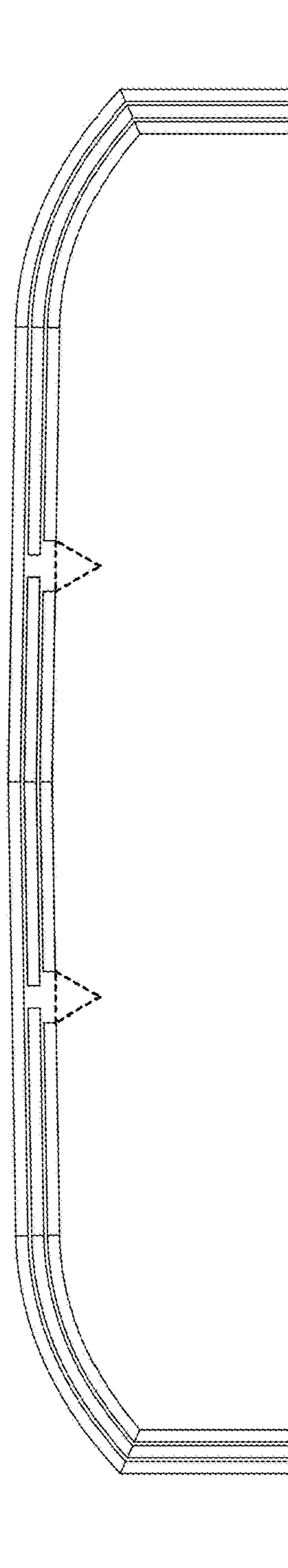


Fig. 11

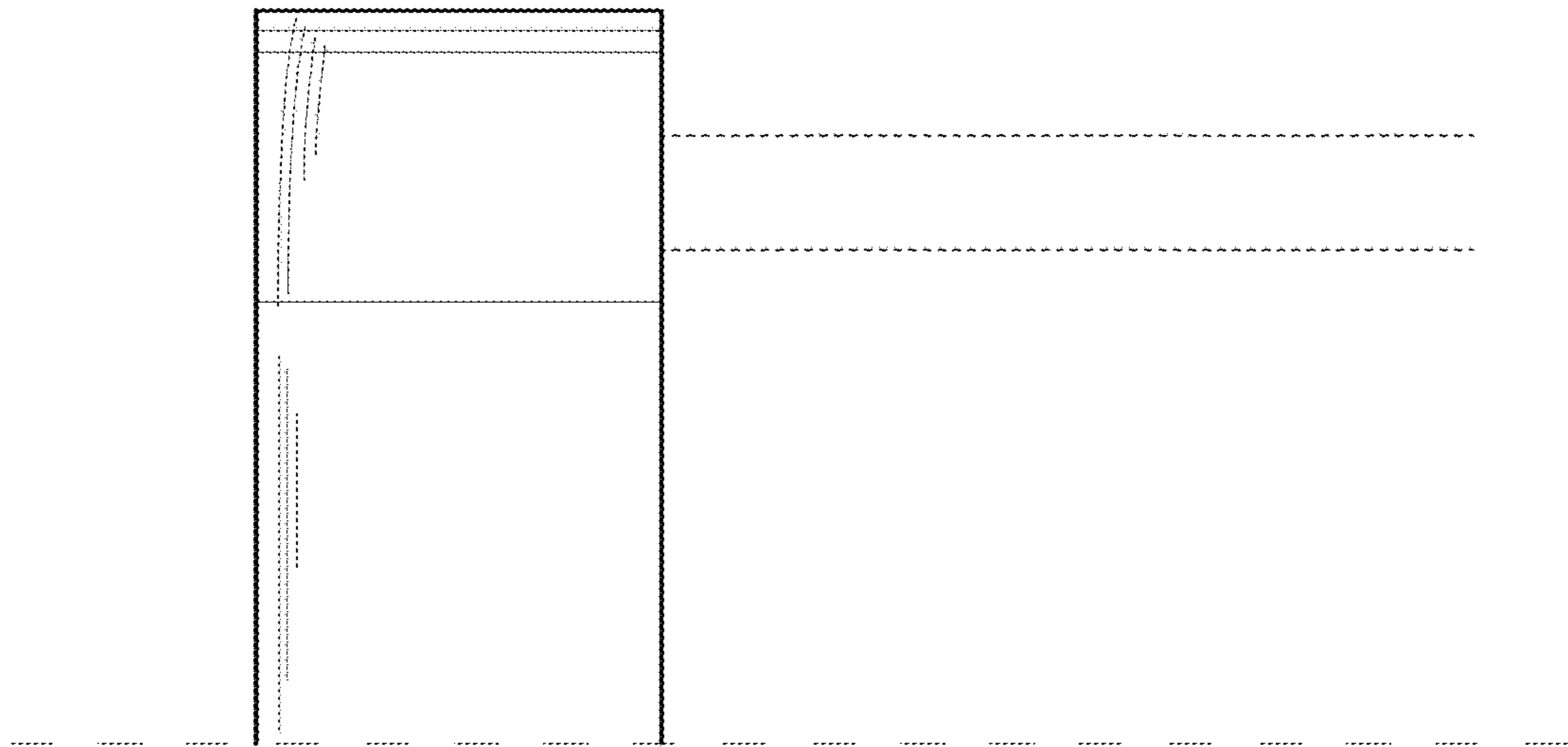


Fig. 12

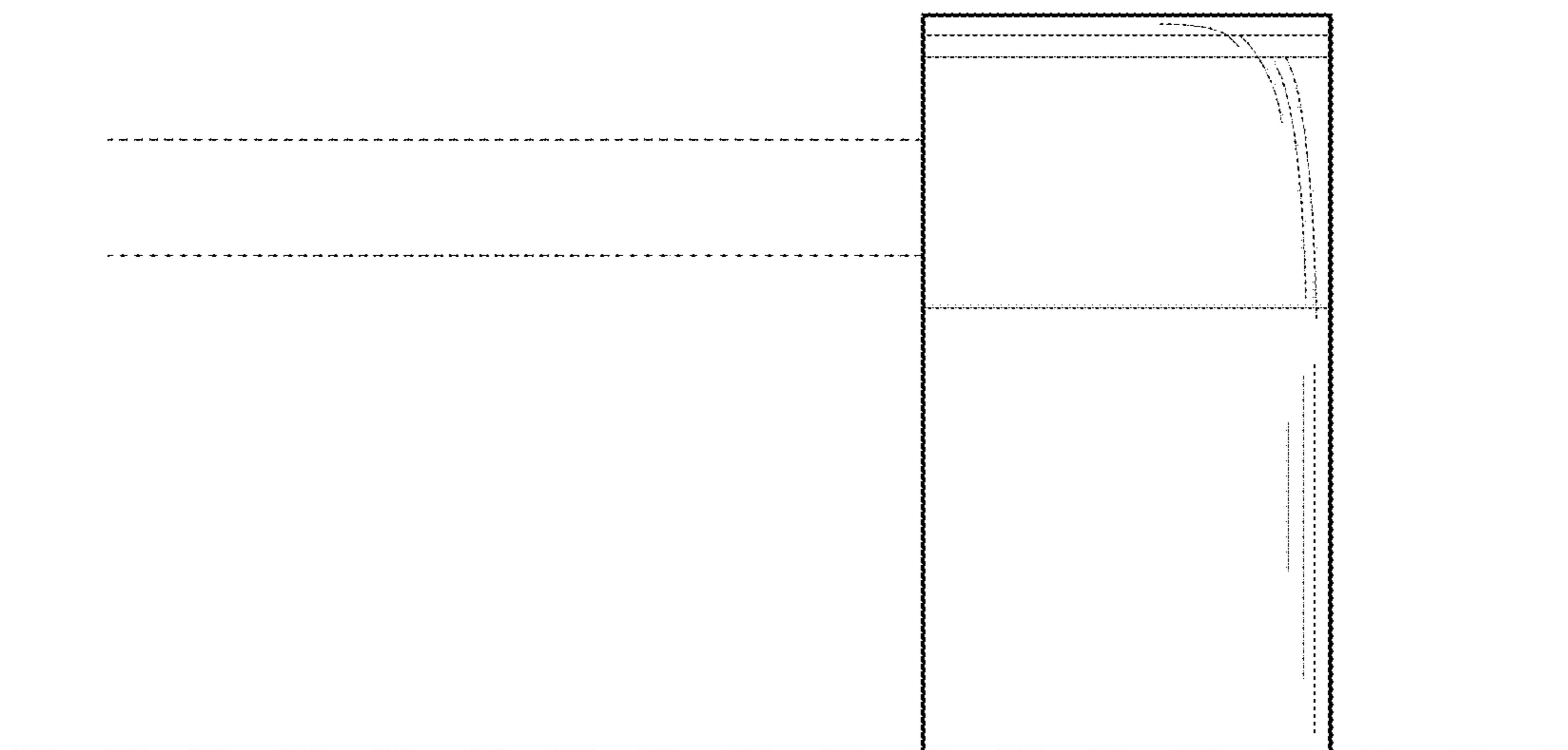


Fig. 13

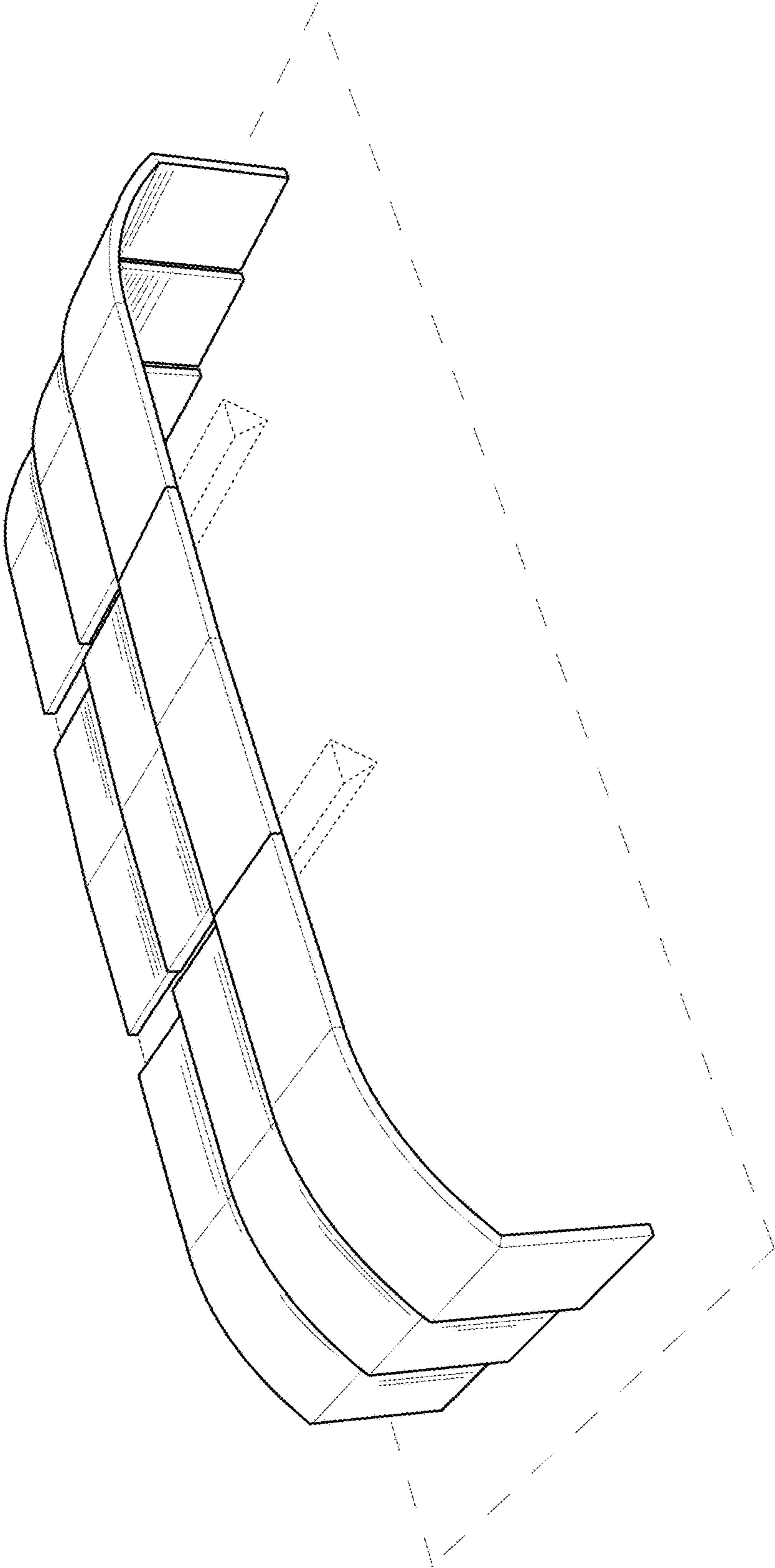


Fig. 14

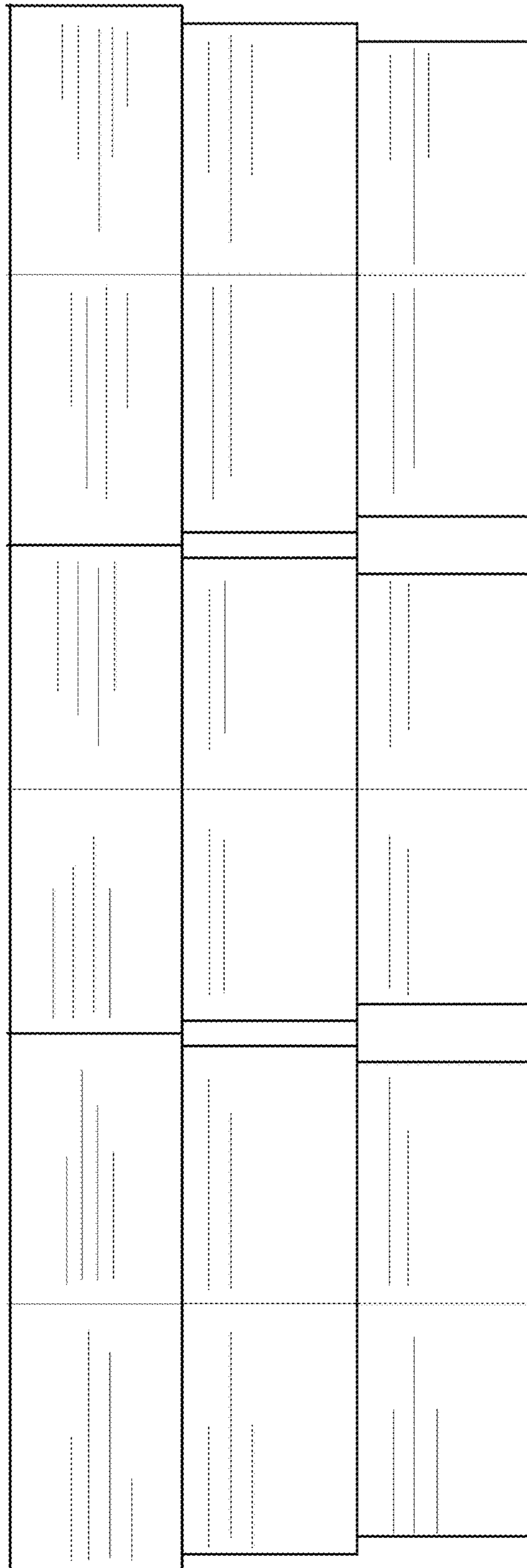


Fig. 15

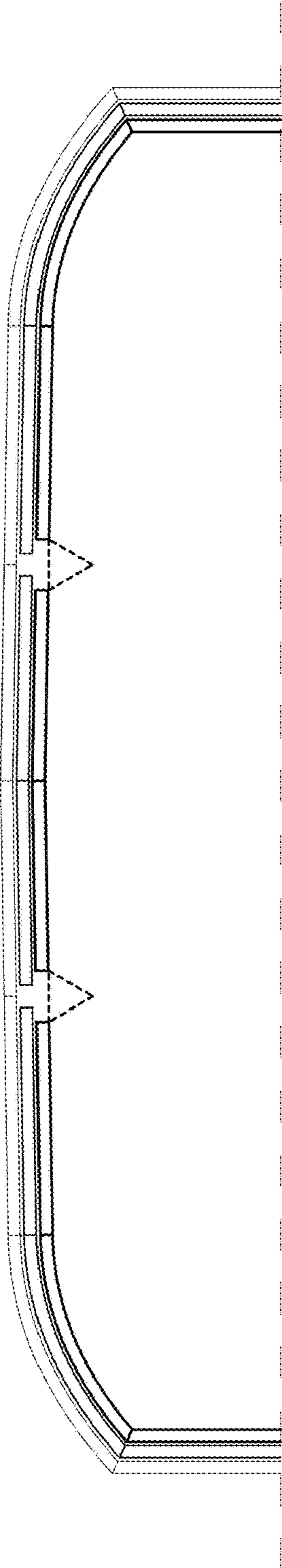


Fig. 16

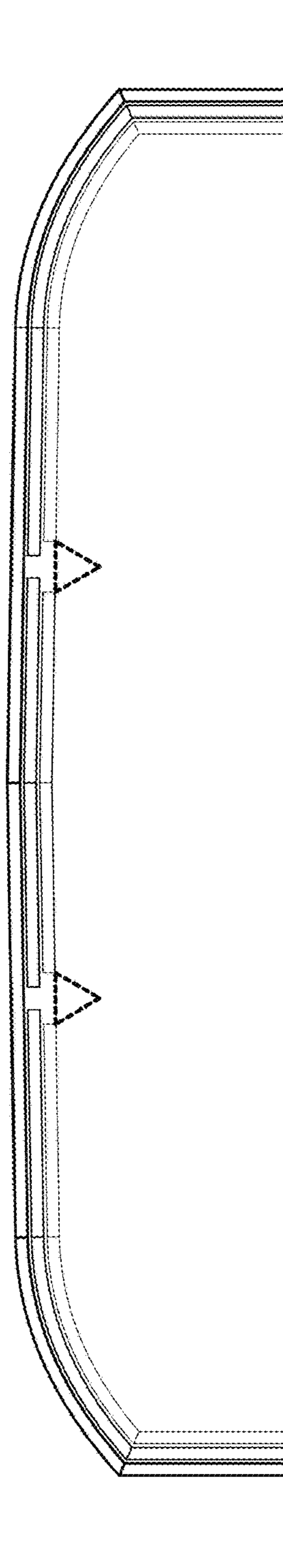


Fig. 17

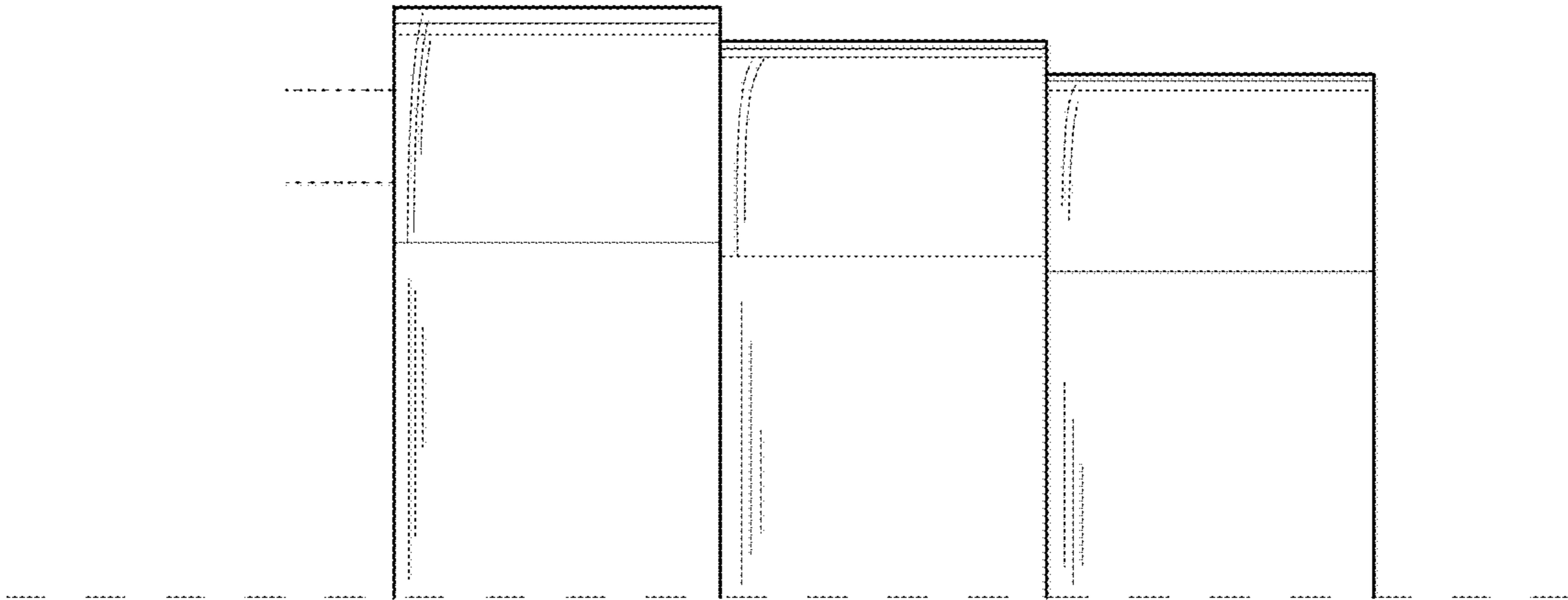


Fig. 18

