



US00D844819S

(12) **United States Design Patent** (10) **Patent No.:** **US D844,819 S**  
**Zhu** (45) **Date of Patent:** **\*\* Apr. 2, 2019**

(54) **BOOTH**

(56) **References Cited**

(71) Applicant: **3DS ENGINEERING  
PROCUREMENT CONSTRUCTION  
SUZHOU CO., LTD.**, Suzhou (CN)

U.S. PATENT DOCUMENTS

(72) Inventor: **Weiwei Zhu**, Kunshan (CN)

D148,740 S *	2/1948	Allen .....	D16/215
D227,457 S *	6/1973	Sklaroff .....	D25/16
D490,118 S *	5/2004	Jackson, Sr. ....	D21/326
D638,551 S *	5/2011	Gann .....	D25/16
D692,474 S *	10/2013	Thorpe .....	D16/215
D732,691 S *	6/2015	Hallfors .....	D25/16
D733,441 S *	7/2015	McGrath .....	D6/335
D734,491 S *	7/2015	Krymov .....	D25/16
D736,949 S *	8/2015	Dar .....	D25/16
D816,244 S *	4/2018	Mayer .....	D25/16
2008/0005974 A1 *	1/2008	Delgado Vazquez ...	E04H 1/125 52/36.1

(73) Assignee: **3DS ENGINEERING  
PROCUREMENT CONSTRUCTION  
SUZHOU CO., LTD.**, Suzhou (CN)

(\*\*) Term: **15 Years**

\* cited by examiner

(21) Appl. No.: **29/624,182**

*Primary Examiner* — Brett Miller

(22) Filed: **Oct. 30, 2017**

(74) *Attorney, Agent, or Firm* — SZDC Law P.C.

(30) **Foreign Application Priority Data**

May 4, 2017 (CN) ..... 2017 3 0159586

(57) **CLAIM**

(51) **LOC (11) Cl.** ..... **25-03**

The ornamental design for a booth, as shown and described.

(52) **U.S. Cl.**

**DESCRIPTION**

USPC ..... **D25/16**

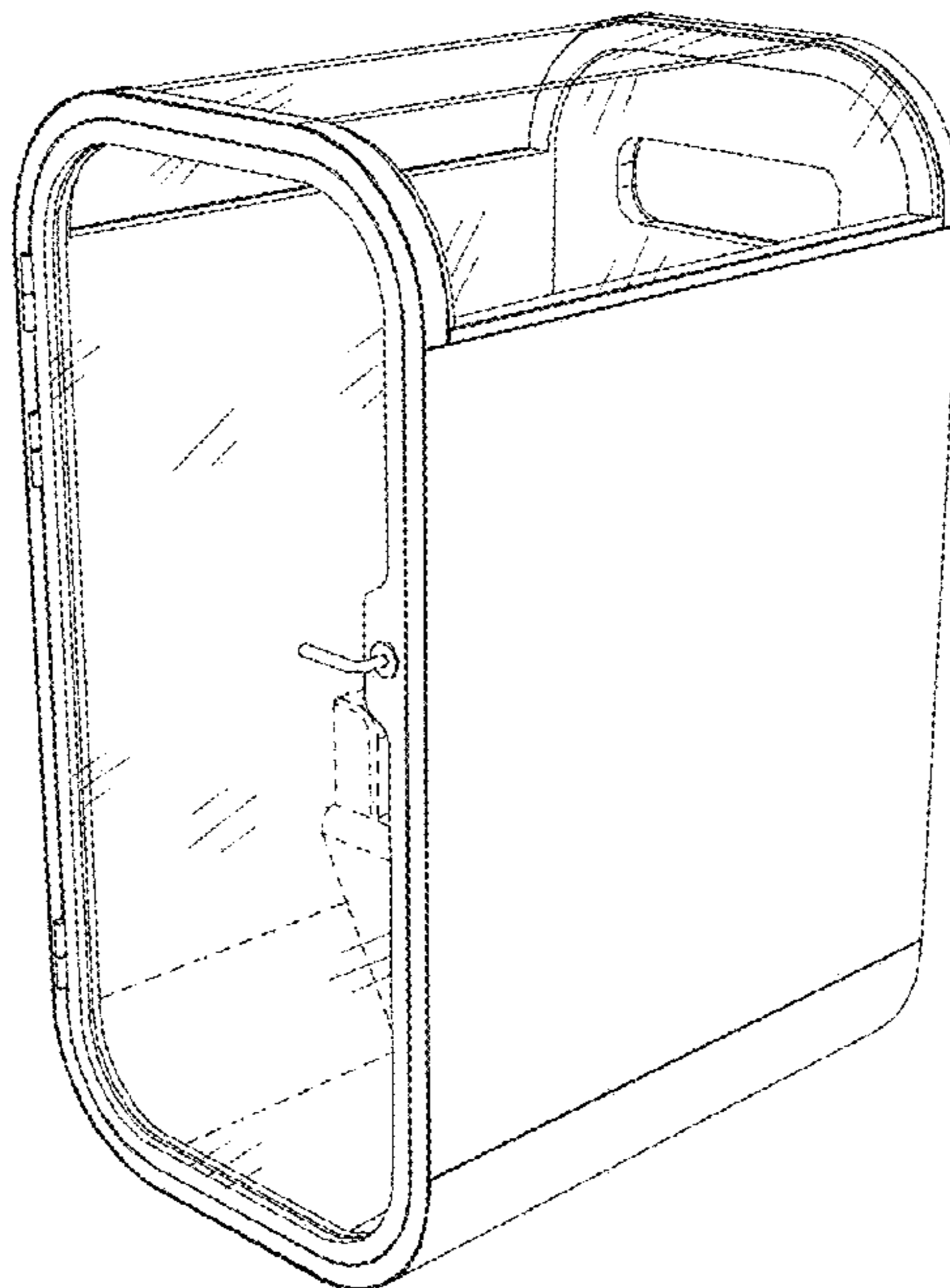
(58) **Field of Classification Search**

USPC ..... D25/1, 4, 16, 18, 32, 33, 35, 56;  
D6/640, 335, 337; D21/326; D16/215  
CPC .. E04H 1/00; E04H 1/005; E04H 1/12; E04H  
1/1205; E04H 1/1216; E04H 1/1222;  
E04H 1/1227; E04H 1/1233; E04H  
1/1244; E04H 1/125; E04H 1/1255; E04H  
1/1261; E04H 1/1266; E04H 1/14; E04H  
2001/1288; E04H 2001/1294; G03B  
17/53

FIG. 1 is a front perspective view of the booth;  
FIG. 2 is a front view thereof;  
FIG. 3 is a back view thereof;  
FIG. 4 is a left view thereof;  
FIG. 5 is a right view thereof; and,  
FIG. 6 is a top view thereof.  
The broken lines depict portions of the booth that form no  
part of the claimed design.

See application file for complete search history.

**1 Claim, 6 Drawing Sheets**



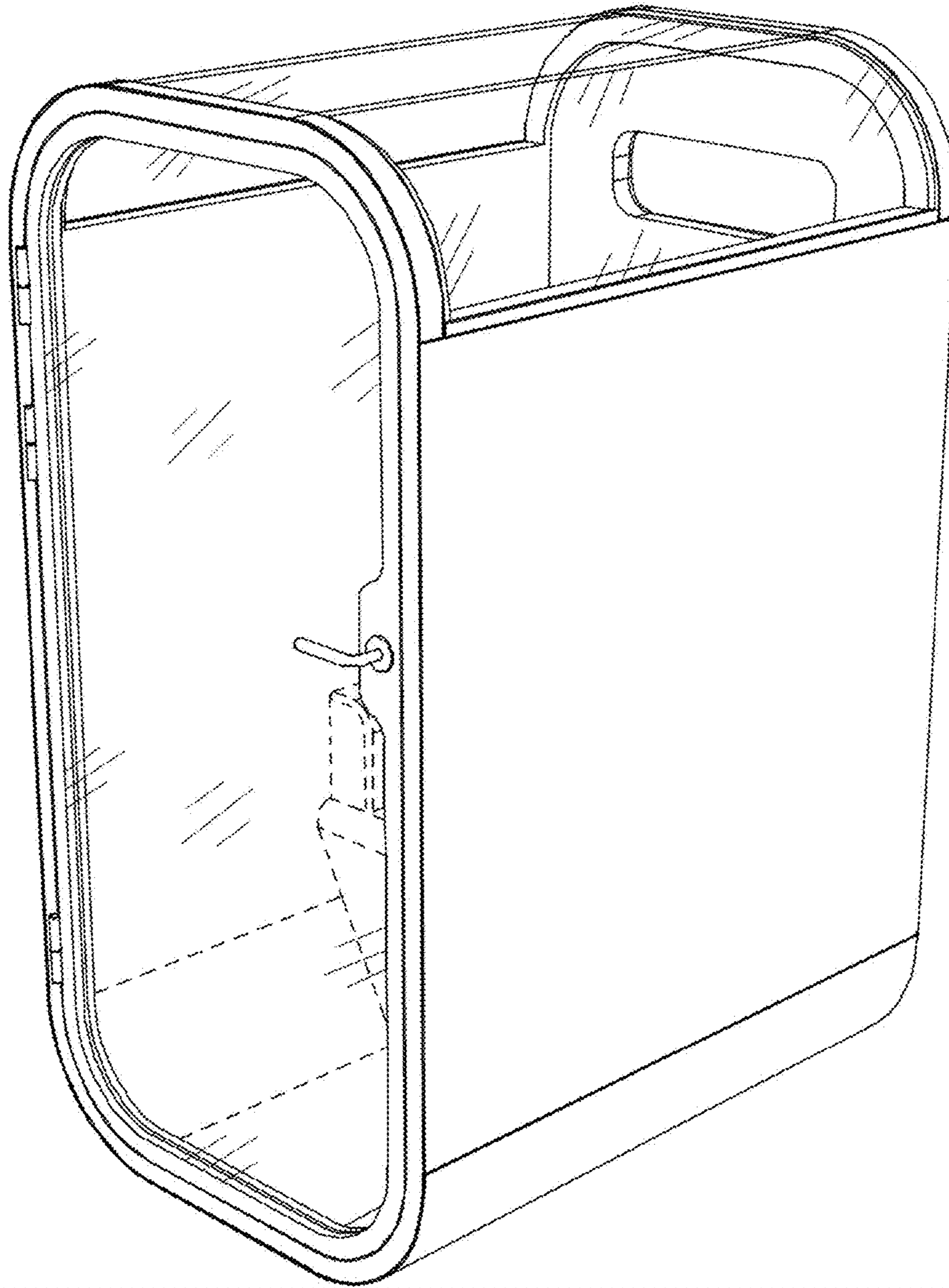


FIG. 1

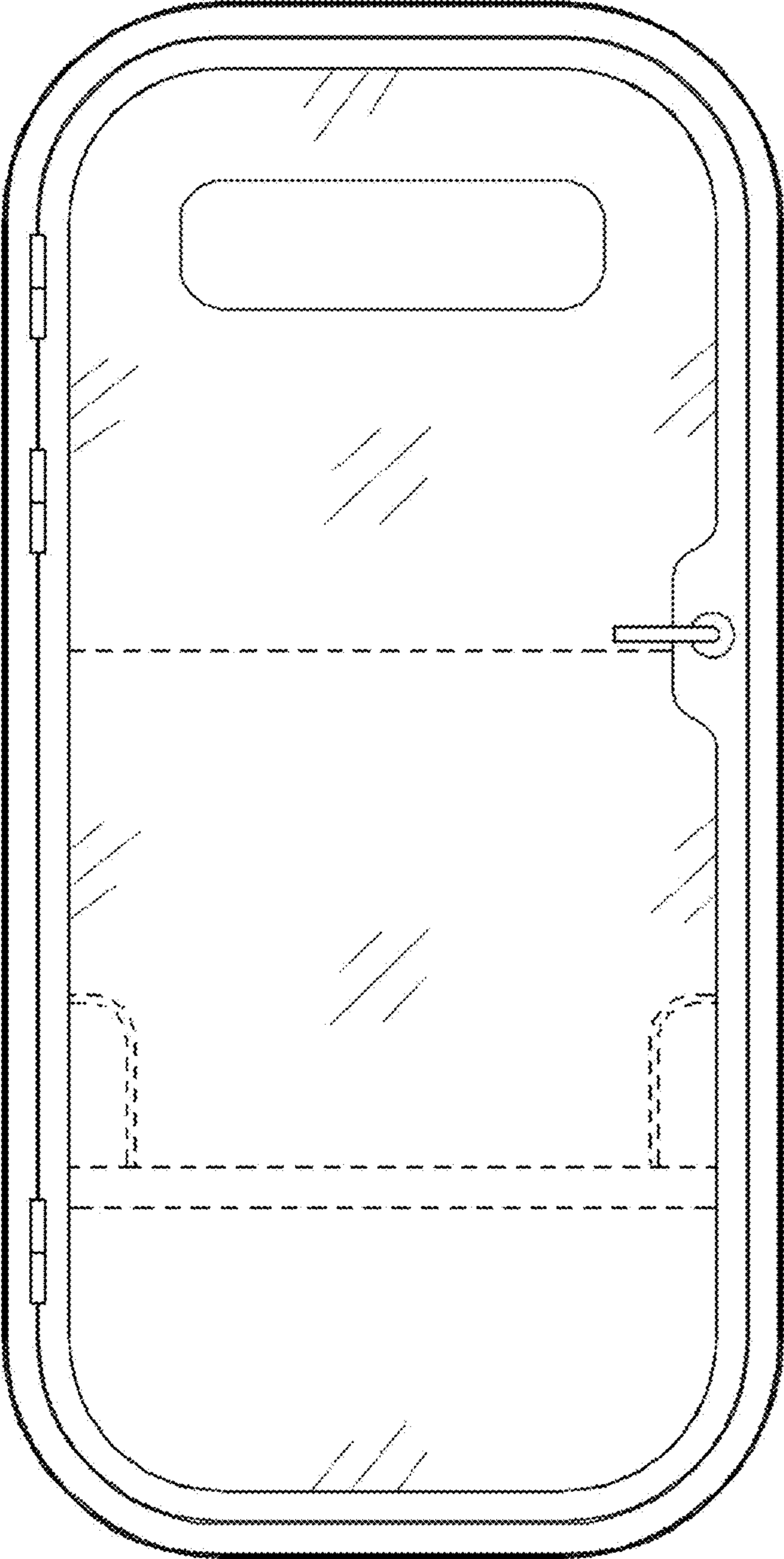


FIG. 2

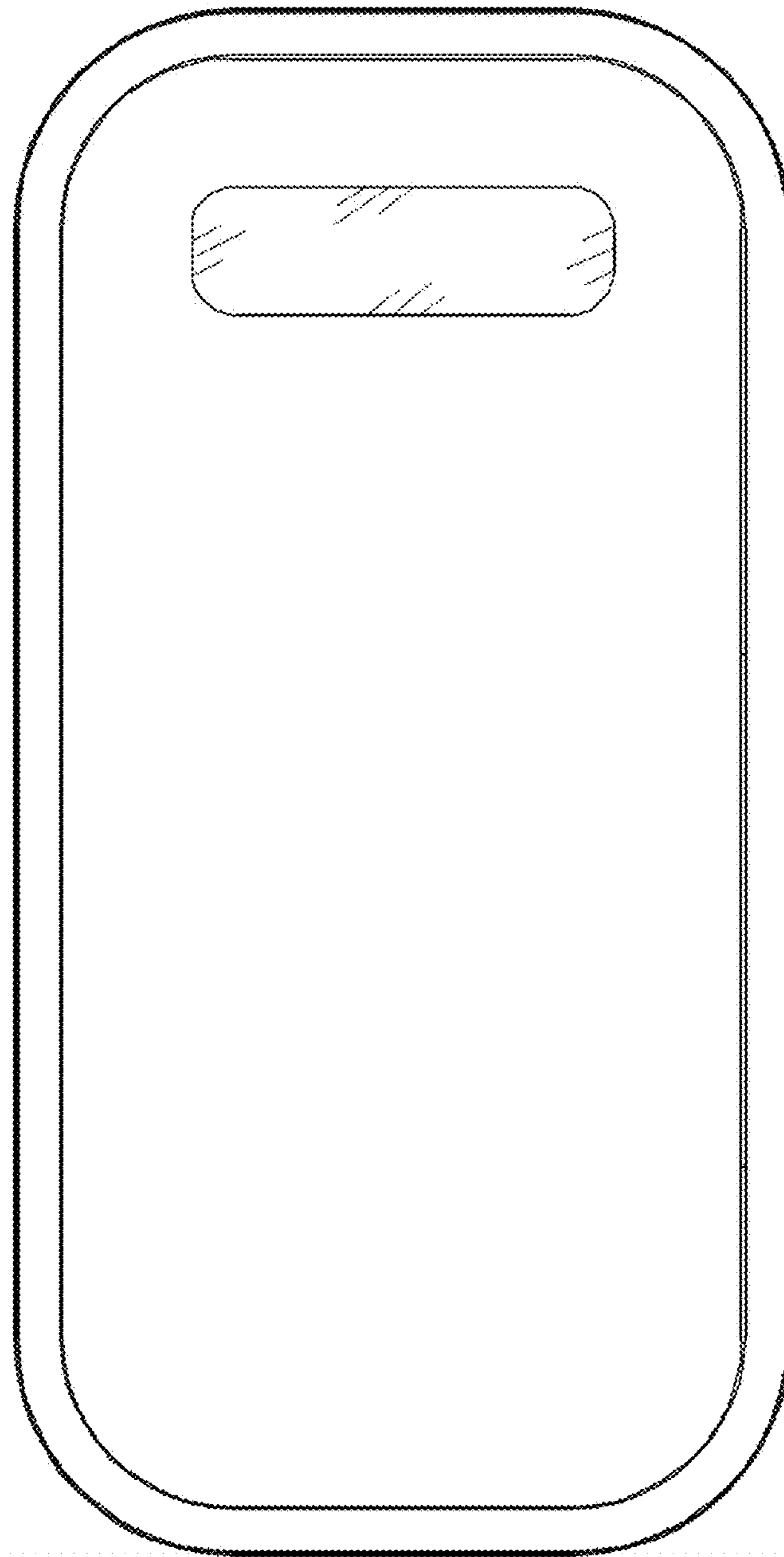


FIG. 3

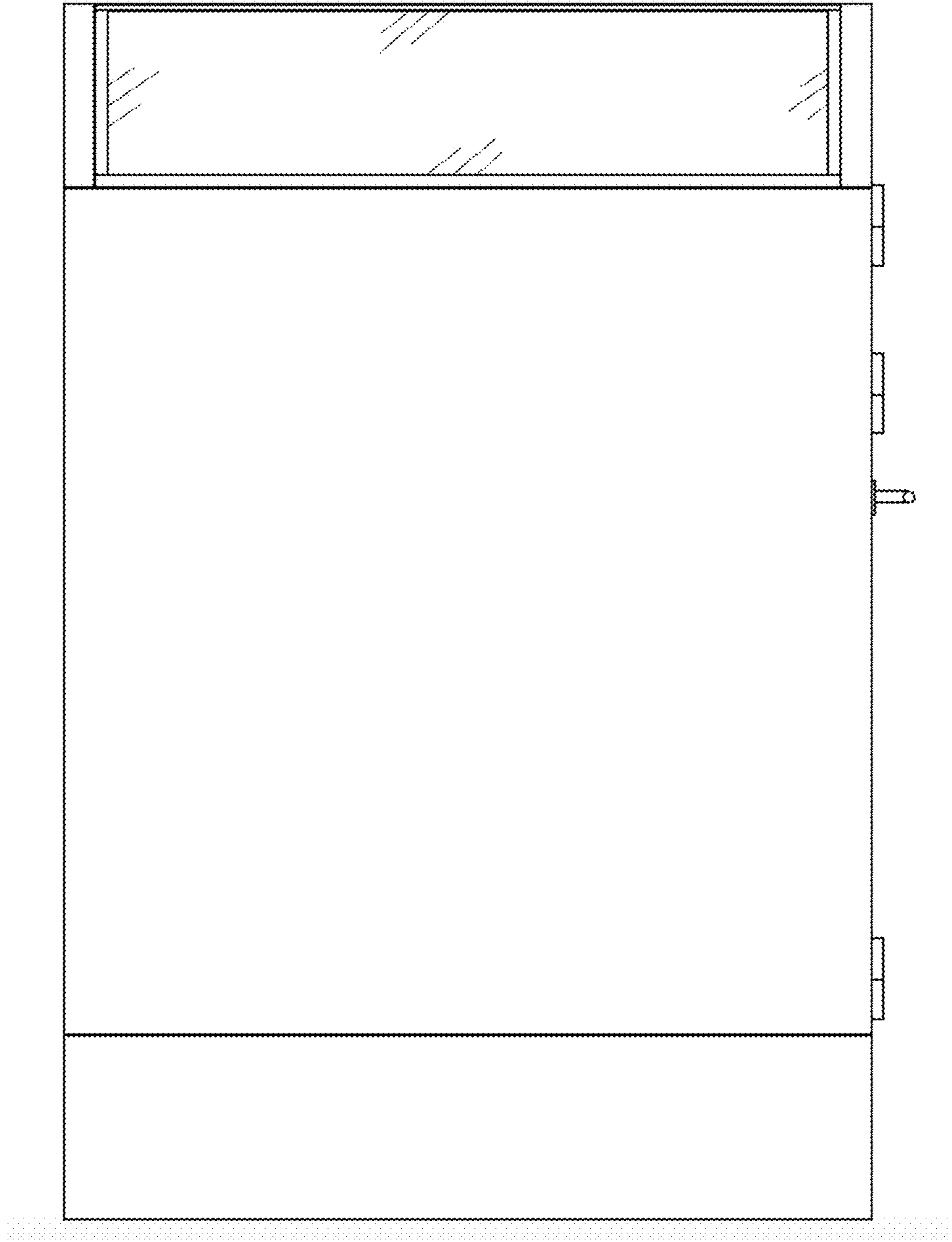


FIG. 4

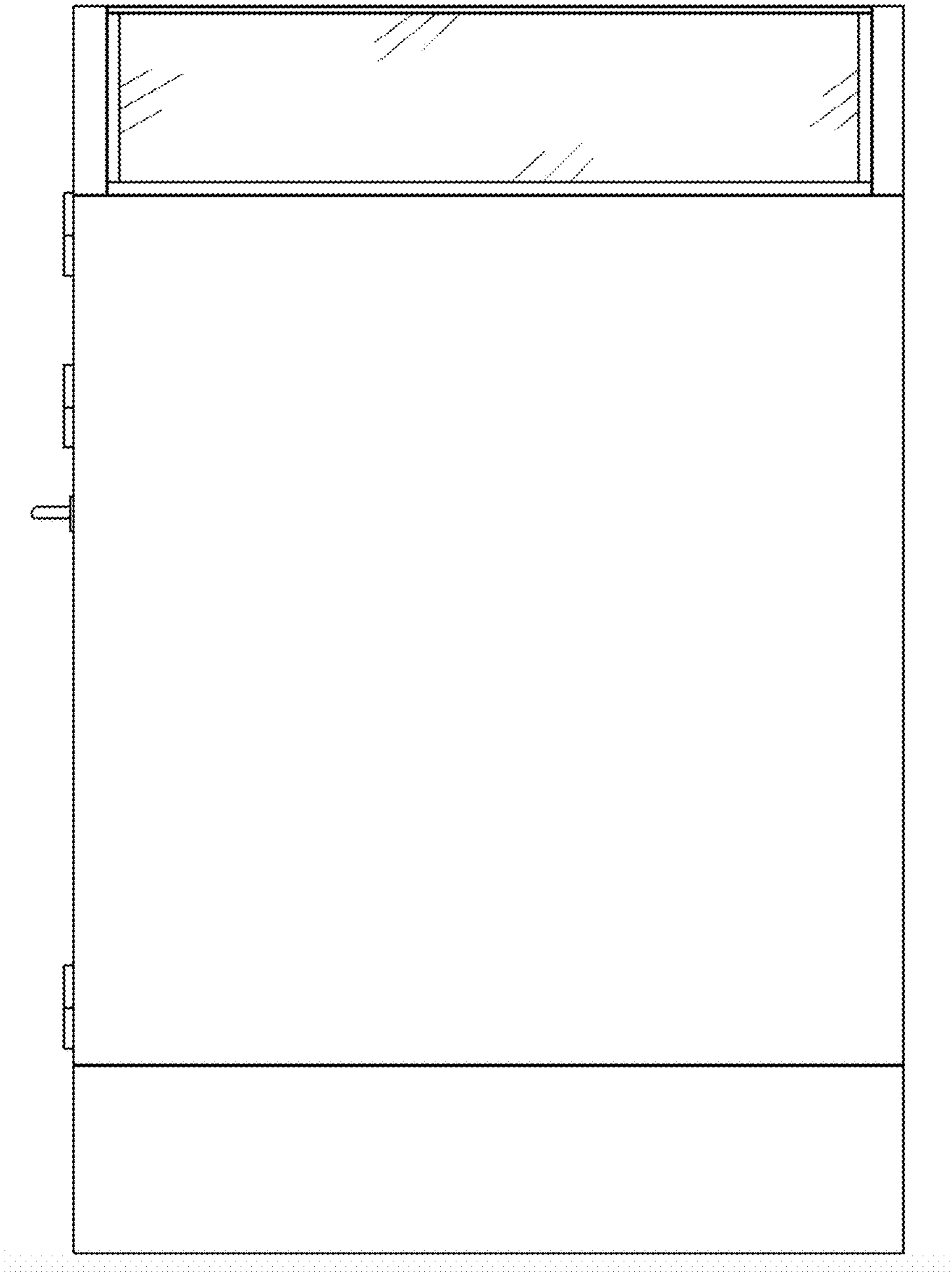


FIG. 5

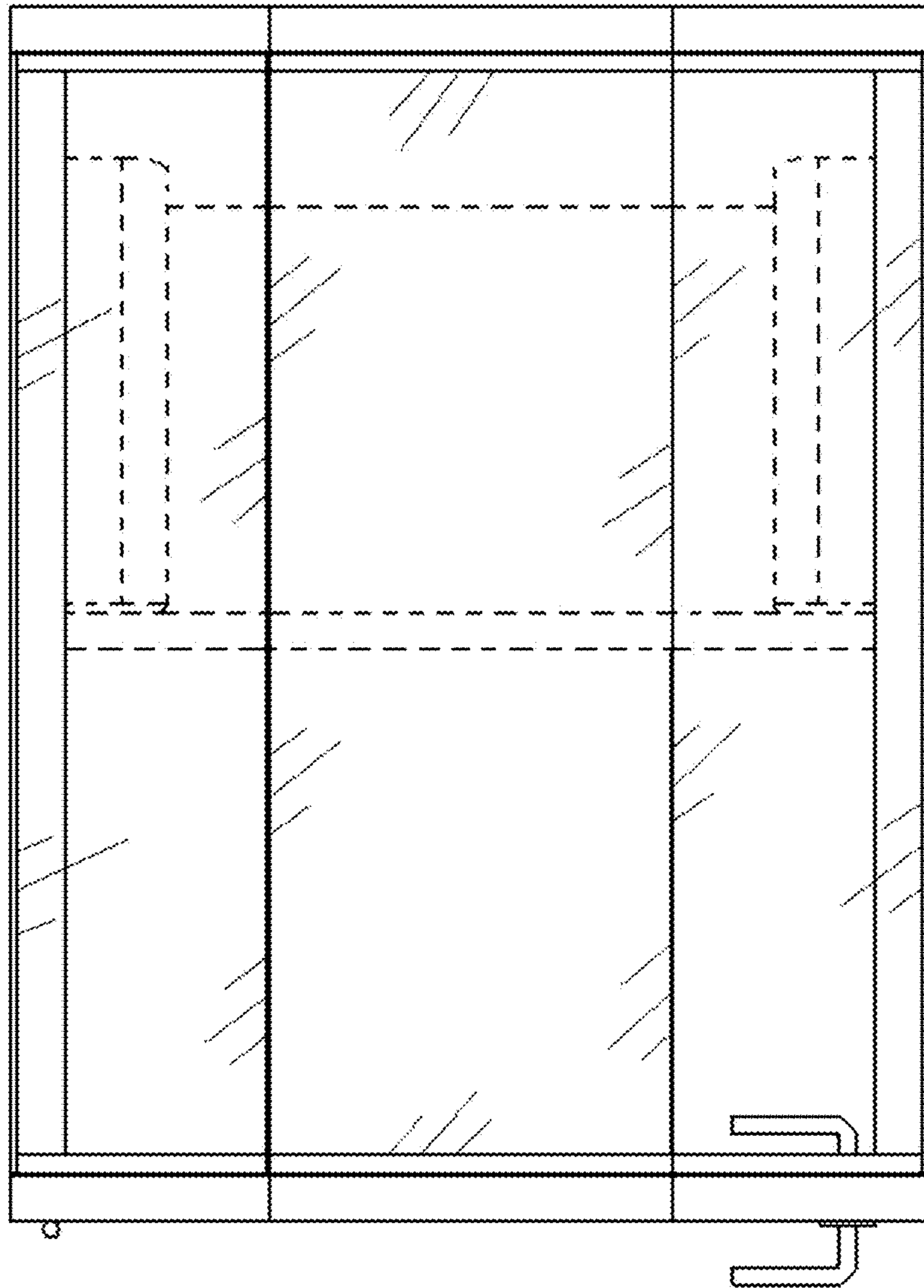


FIG. 6