



US00D844810S

(12) **United States Design Patent** (10) **Patent No.:** **US D844,810 S**
Hällfors et al. (45) **Date of Patent:** **** Apr. 2, 2019**

(54) **PORTABLE BUILDING**
(71) Applicants: **Samu Hällfors**, Tampere (FI); **Janne Haveri**, Tampere (FI); **Mikko Tamminen**, Tampere (FI); **Pekka Toivola**, Nummela (FI)
(72) Inventors: **Samu Hällfors**, Tampere (FI); **Janne Haveri**, Tampere (FI); **Mikko Tamminen**, Tampere (FI); **Pekka Toivola**, Nummela (FI)

D245,706 S * 9/1977 McAllister D25/1
D638,551 S * 5/2011 Gann D25/16
D664,667 S * 7/2012 Krymov D25/16
D726,332 S * 4/2015 Barbosa D25/16
D731,077 S * 6/2015 Lehmann D25/16
D732,691 S * 6/2015 Hallfors D25/16
D733,440 S * 7/2015 McGarth D6/335
D734,491 S * 7/2015 Krymov D25/16
D736,950 S * 8/2015 Dar D25/16
D768,874 S * 10/2016 Walter D25/16
D787,704 S * 5/2017 Walter D25/16
D788,318 S * 5/2017 Jennings D25/16
2008/0005974 A1 * 1/2008 Delgado Vazquez ... E04H 1/125
52/36.1

(73) Assignee: **FRAMERY OY**, Tampere (FI)

(Continued)

(**) Term: **15 Years**

OTHER PUBLICATIONS

(21) Appl. No.: **29/590,977**

Officepod, Latest addition to the OfficePOD family, May 16, 2013, OfficePOD, <https://officepod.co.uk/blog/2013/05/16/latest-addition-to-the-officepod-family/> (Year: 2013).*

(22) Filed: **Jan. 14, 2017**

(30) **Foreign Application Priority Data**

Jul. 14, 2016 (EM) 003305994-0001

(51) **LOC (11) Cl.** **25-03**

(52) **U.S. Cl.**
USPC **D25/16; D25/18**

(58) **Field of Classification Search**
USPC D25/1, 4, 15, 16, 18, 23, 26, 32, 33;
D21/834, 837, 838; 52/79.1, 27.5
CPC E04H 1/1205; E04H 1/02; E04H 1/12; E04H 9/14; E04H 9/16; E04H 15/001; E04H 15/008; E04H 15/38; E04H 2001/1283; E04H 9/12; E04H 1/14; E04H 1/125
See application file for complete search history.

Primary Examiner — Brett Miller

(74) *Attorney, Agent, or Firm* — Klauber & Jackson LLC

(57) **CLAIM**

The ornamental design for portable building, as shown and described.

DESCRIPTION

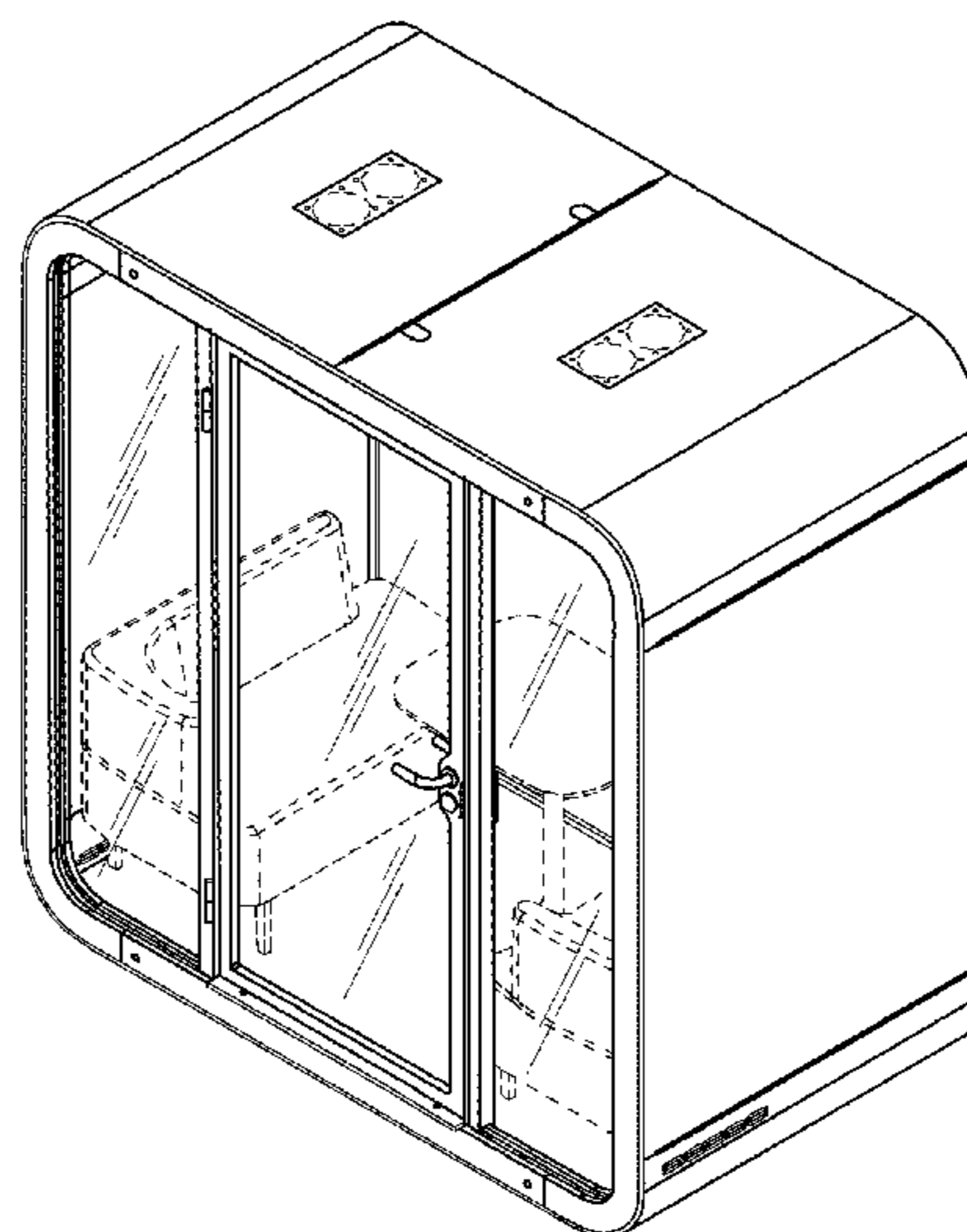
FIG. 1 is a perspective view showing front, top and left side of the portable building of our new design;
FIG. 2 is a front view thereof;
FIG. 3 is a rear view thereof;
FIG. 4 is a left side view thereof;
FIG. 5 is a right side view thereof;
FIG. 6 is a top view thereof; and,
FIG. 7 is a bottom view thereof.
The broken lines depict environment and form no part of the claimed design.

(56) **References Cited**

U.S. PATENT DOCUMENTS

2,877,508 A * 3/1959 Ewart E04H 1/1205
52/125.2
D245,430 S * 8/1977 Commins D25/1

1 Claim, 7 Drawing Sheets



(56)

References Cited

U.S. PATENT DOCUMENTS

2009/0266005 A1* 10/2009 Snel E04H 1/1205
52/79.1
2013/0067834 A1* 3/2013 Downey E04H 1/125
52/173.1
2014/0226032 A1* 8/2014 Tarres Bolos H04N 5/222
348/207.2

* cited by examiner

FIG. 1

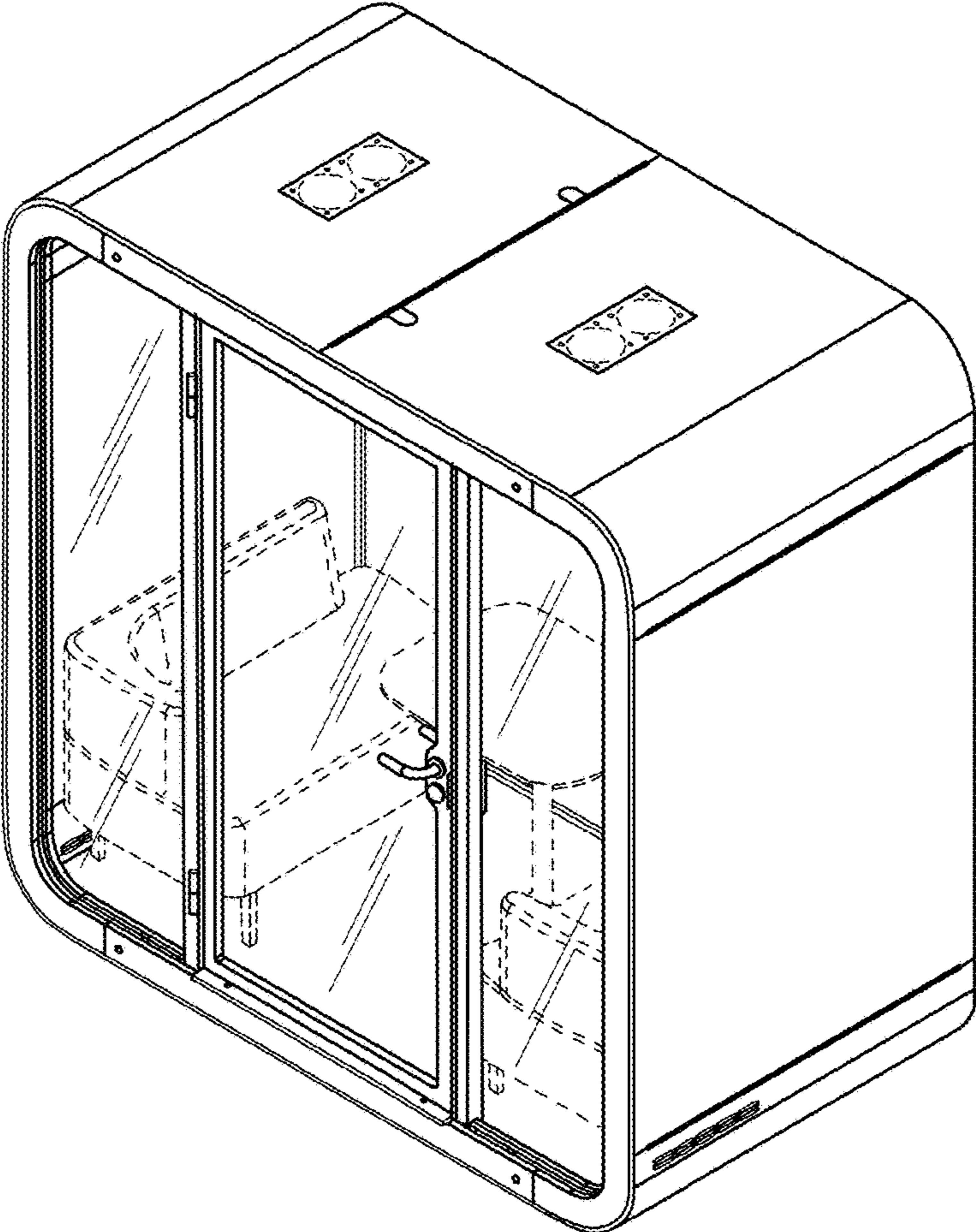


FIG. 2

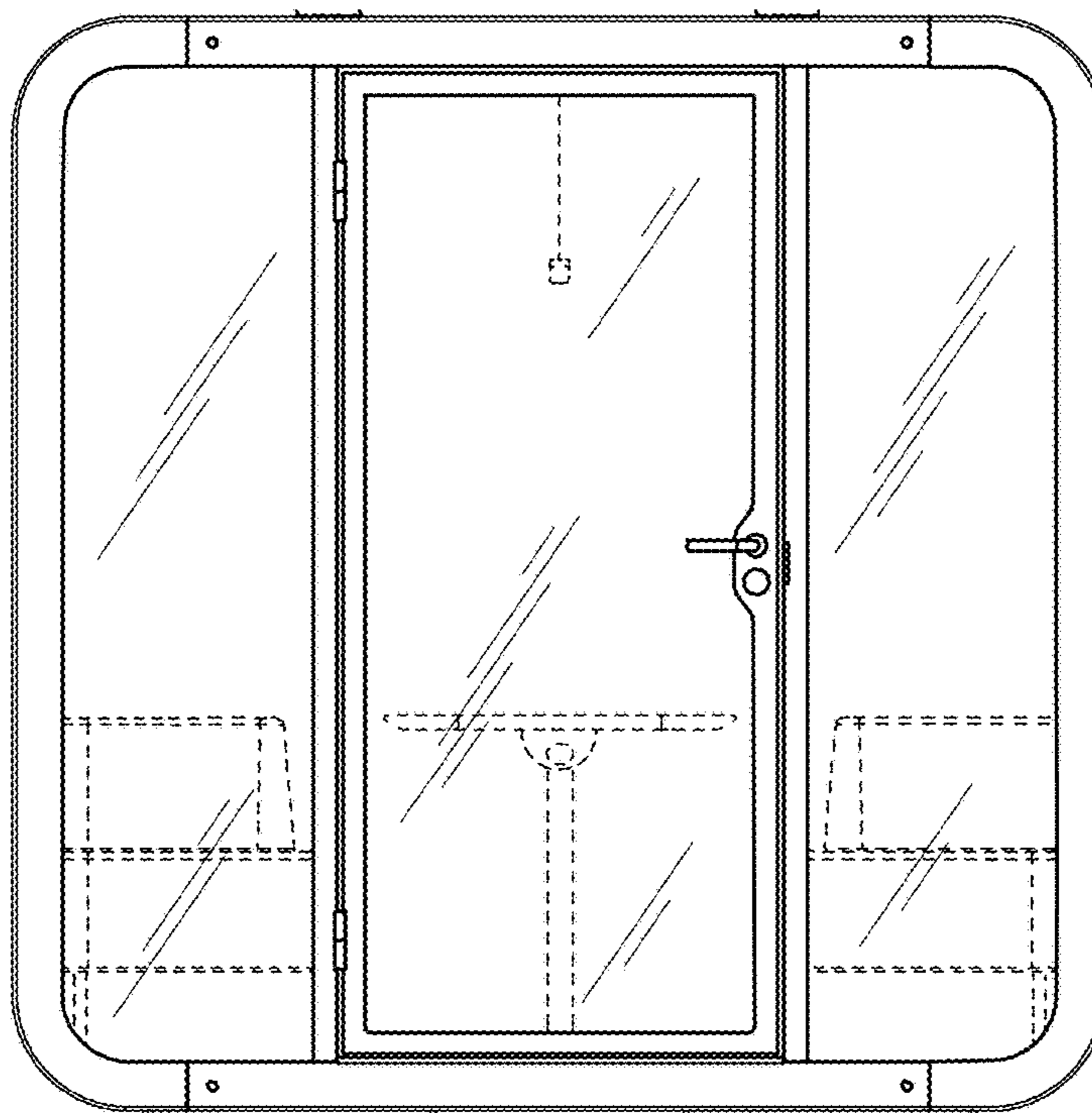


FIG. 3

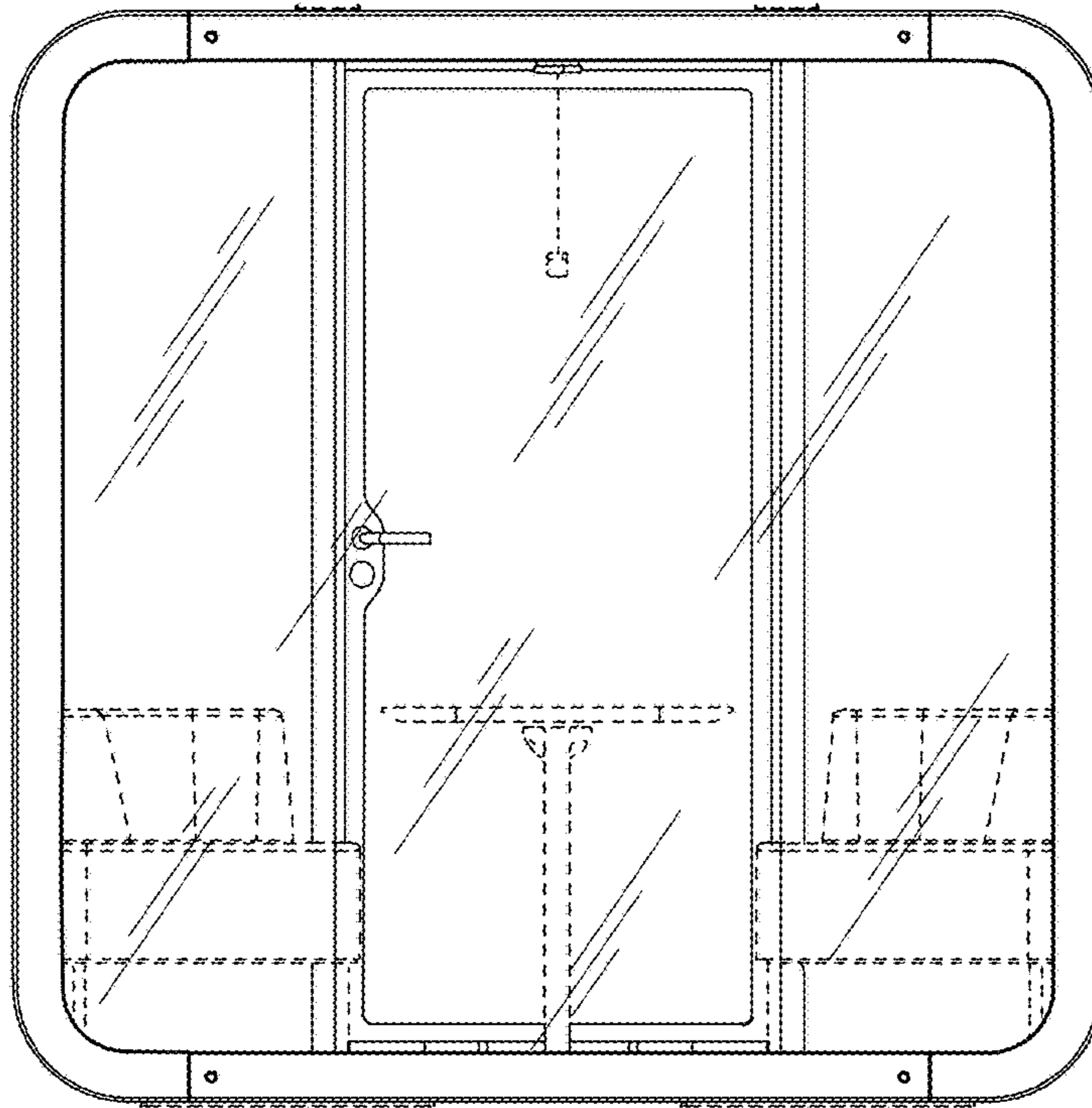


FIG. 4

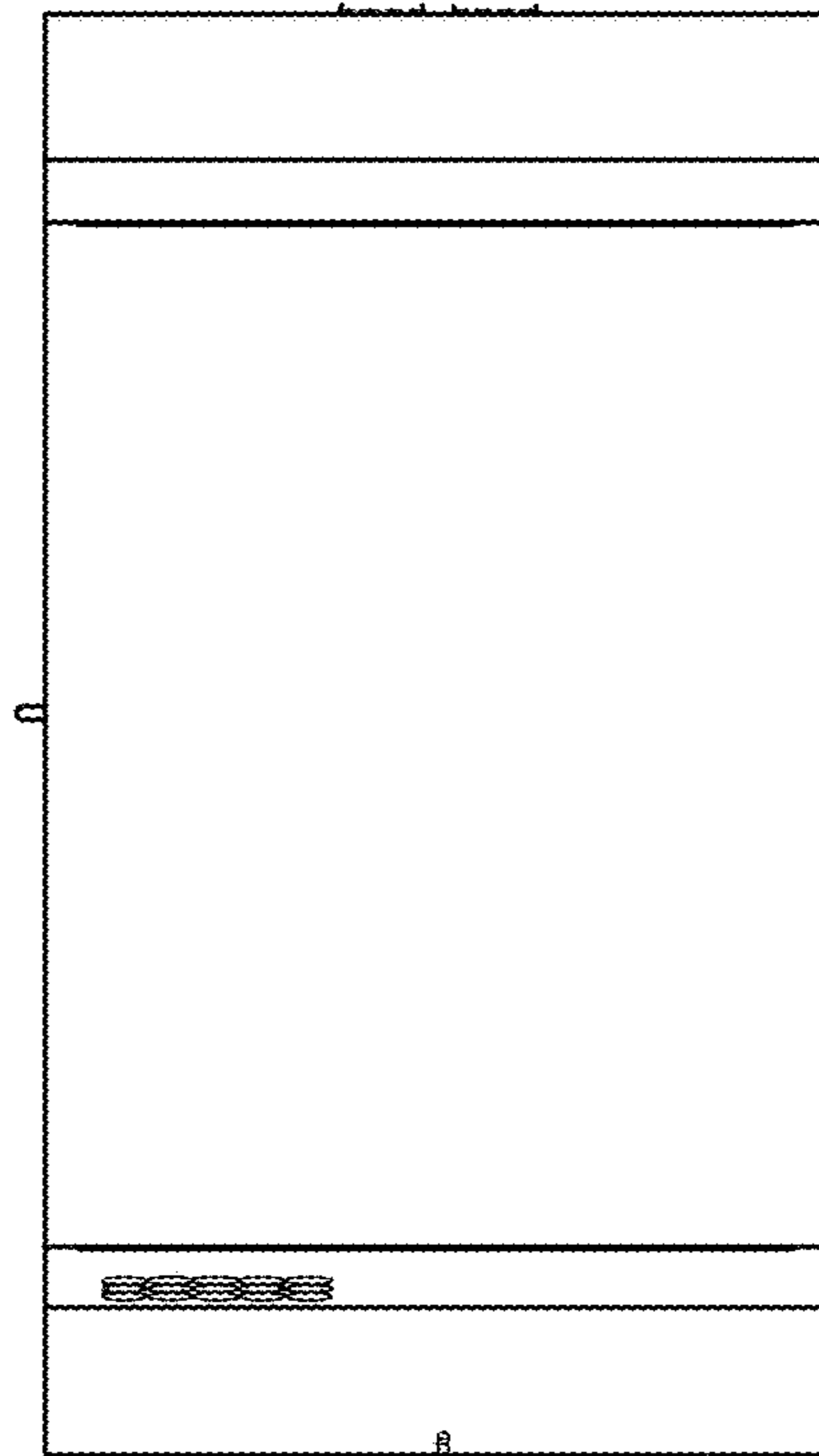


FIG. 5

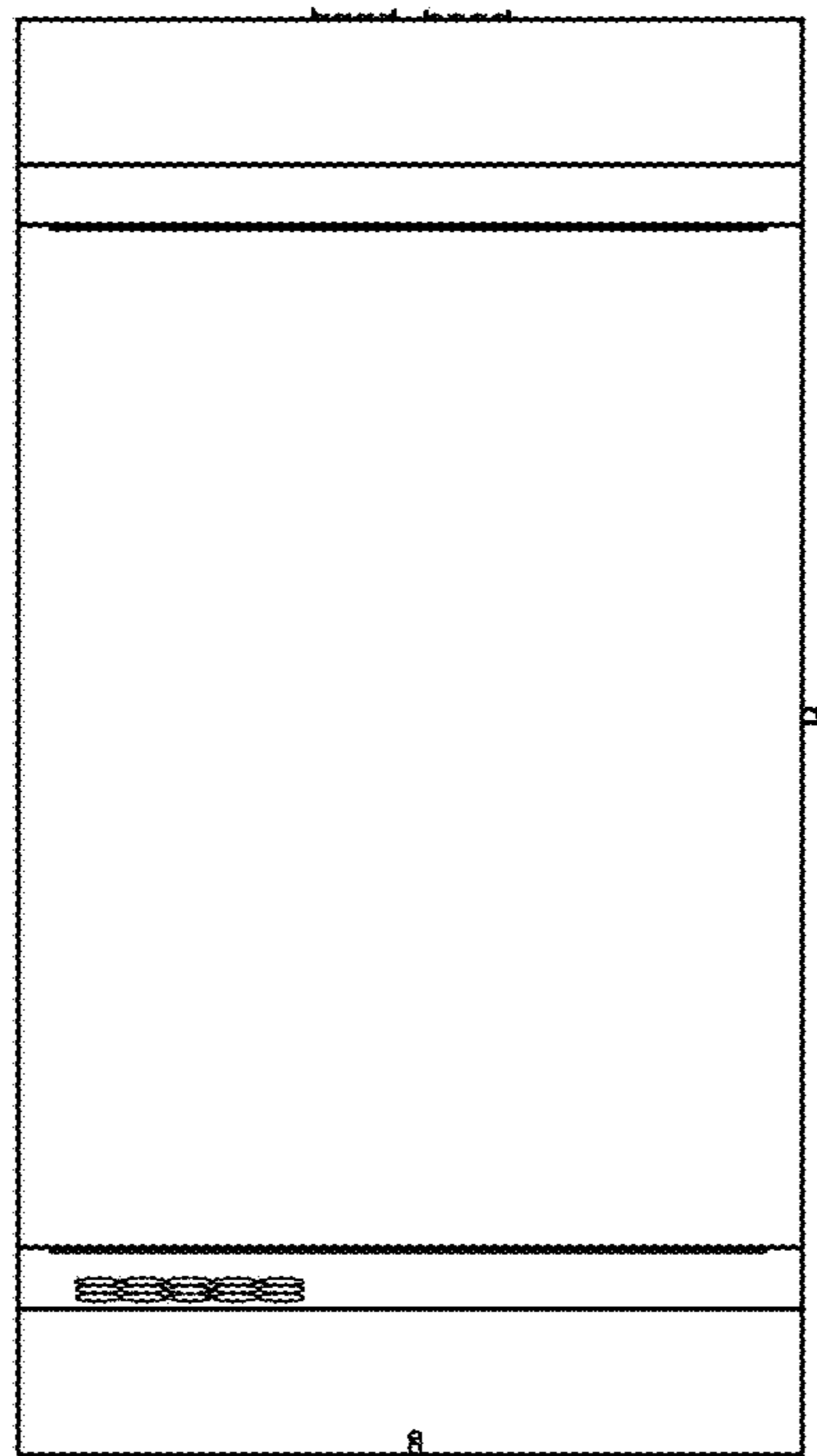


FIG. 6

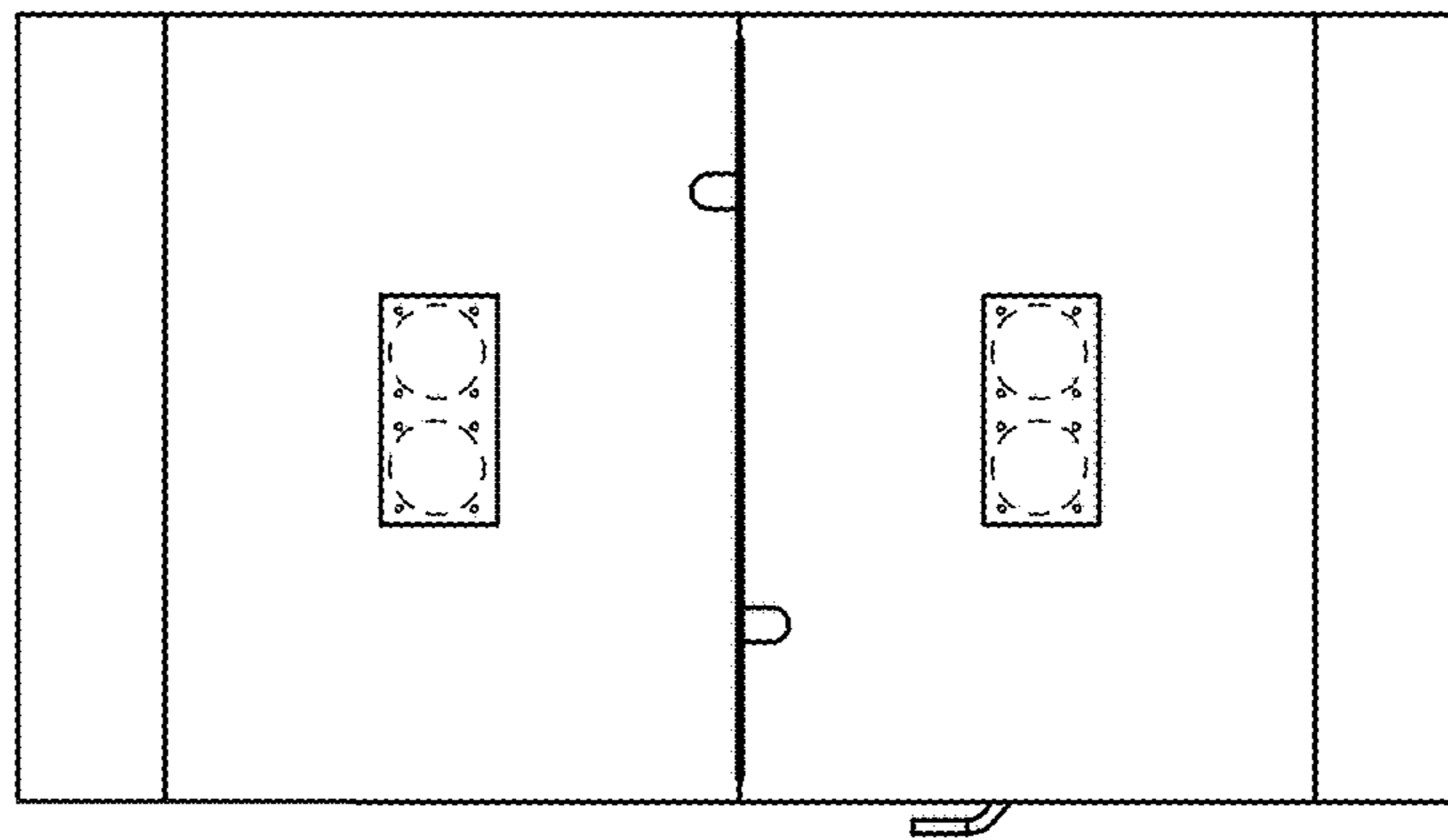


FIG. 7

