



US00D844807S

(12) **United States Design Patent** (10) **Patent No.:** **US D844,807 S**  
**Blackwell et al.** (45) **Date of Patent:** **\*\* Apr. 2, 2019**

(54) **BASE PLATE FOR A SURGICAL PATIENT POSITIONER**

(71) Applicant: **Innovative Medical Products, Inc.**, Plainville, CT (US)

(72) Inventors: **Tim Blackwell**, Jupiter, FL (US); **Tamas Kovacs**, Bristol, CT (US)

(73) Assignee: **INNOVATIVE MEDICAL PRODUCTS, INC.**, Plainville, CT (US)

(\*\*) Term: **15 Years**

(21) Appl. No.: **29/557,839**

(22) Filed: **Mar. 11, 2016**

(51) **LOC (11) Cl.** ..... **24-99**

(52) **U.S. Cl.**  
USPC ..... **D24/231**

(58) **Field of Classification Search**  
USPC ..... D24/231, 184, 152, 190, 181, 183, 155, D24/128, 110, 187; 210/231; 250/226; 128/DIG. 12, 882; 220/256.1  
CPC ..... A61L 2/26; A61M 5/142; A61G 13/1235; A61G 13/101; A61G 13/129; B01D 25/215; A61F 5/3761; G01T 1/1666  
See application file for complete search history.

(56) **References Cited**

**U.S. PATENT DOCUMENTS**

- 3,678,277 A \* 7/1972 Greenspan ..... G01T 1/1666  
250/226  
4,457,302 A \* 7/1984 Caspari ..... A61F 5/3761  
128/882  
D279,503 S \* 7/1985 Halloran ..... D24/155  
4,537,561 A \* 8/1985 Xanthopoulos ..... A61M 5/142  
128/DIG. 12  
4,551,311 A \* 11/1985 Lorenz ..... A61L 2/26  
220/256.1

- D281,621 S \* 12/1985 Weber ..... D24/181  
4,956,085 A \* 9/1990 Kopf ..... B01D 25/215  
210/231  
D485,909 S \* 1/2004 White ..... D24/190  
D625,832 S \* 10/2010 Meyer-Hayoz ..... D24/152  
D672,877 S \* 12/2012 Schaet ..... D24/184  
D743,562 S \* 11/2015 Suzuki ..... D24/187  
D783,389 S \* 4/2017 Livengood ..... D24/128  
D790,684 S \* 6/2017 Bhide ..... D24/110  
D791,954 S \* 7/2017 Wapler ..... D24/183  
D813,398 S \* 3/2018 Barber ..... D24/183

(Continued)

*Primary Examiner* — Rhea Shields

(74) *Attorney, Agent, or Firm* — Damian Wasserbauer, Esq.; Wasserbauer Law LLC

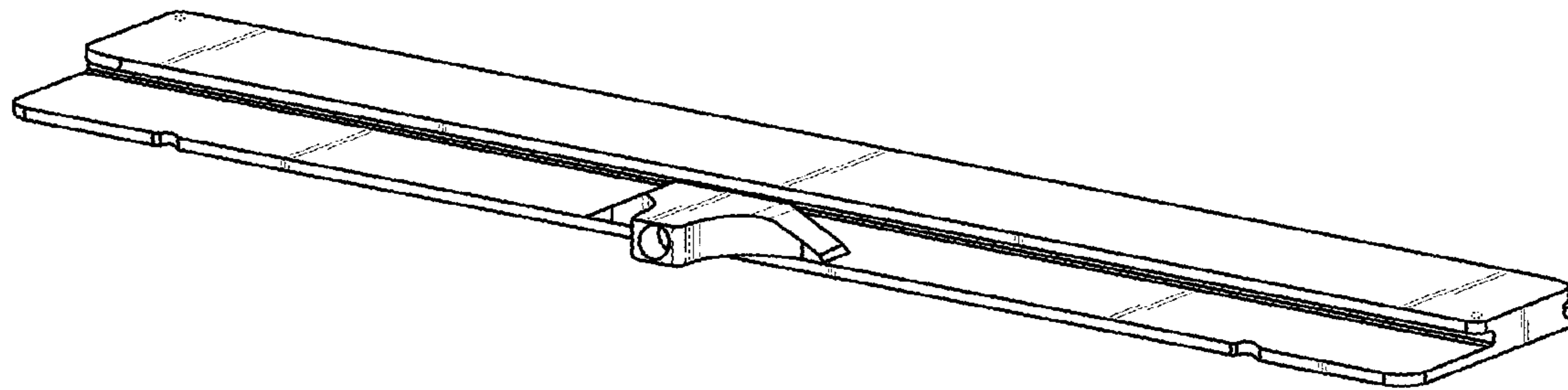
(57) **CLAIM**

The ornamental design for a base plate for a surgical patient positioner, as shown and described.

**DESCRIPTION**

FIG. 1 is a top perspective view of an base plate of a surgical patient positioner for a medical procedure in accordance with an embodiment of the present invention;  
 FIG. 2 is a bottom perspective view thereof;  
 FIG. 3 is a top view thereof;  
 FIG. 4 is a bottom view thereof;  
 FIG. 5 is a front view thereof;  
 FIG. 6 is a back view thereof;  
 FIG. 7 is a right side view thereof;  
 FIG. 8 is a left side view thereof; and  
 FIG. 9 is a bottom perspective view of the base plate for a surgical patient positioner shown in an environment; and,  
 FIG. 10 is another perspective view of the base plate for a surgical patient positioner shown in another environment.  
 In the drawings, the broken lines are for the purpose of illustrating environment only and form no part of the claimed design.

**1 Claim, 10 Drawing Sheets**



(56)

**References Cited**

U.S. PATENT DOCUMENTS

2016/0346150 A1\* 12/2016 Blackwell ..... A61G 13/129  
2017/0239118 A1\* 8/2017 Cole ..... A61G 13/101  
2017/0252249 A1\* 9/2017 Cole ..... A61G 13/1235

\* cited by examiner

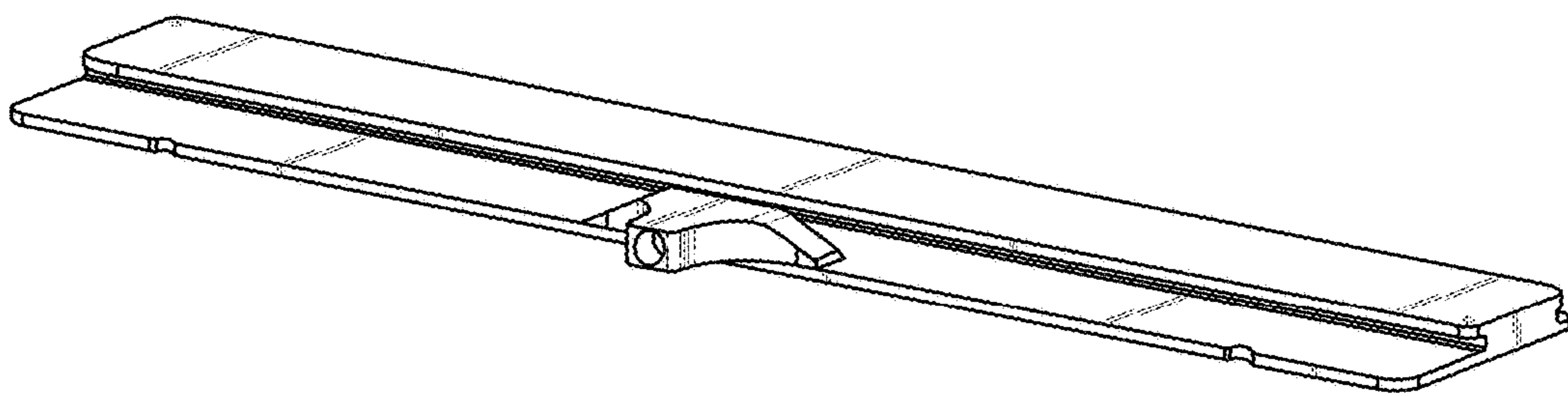


FIG. 1

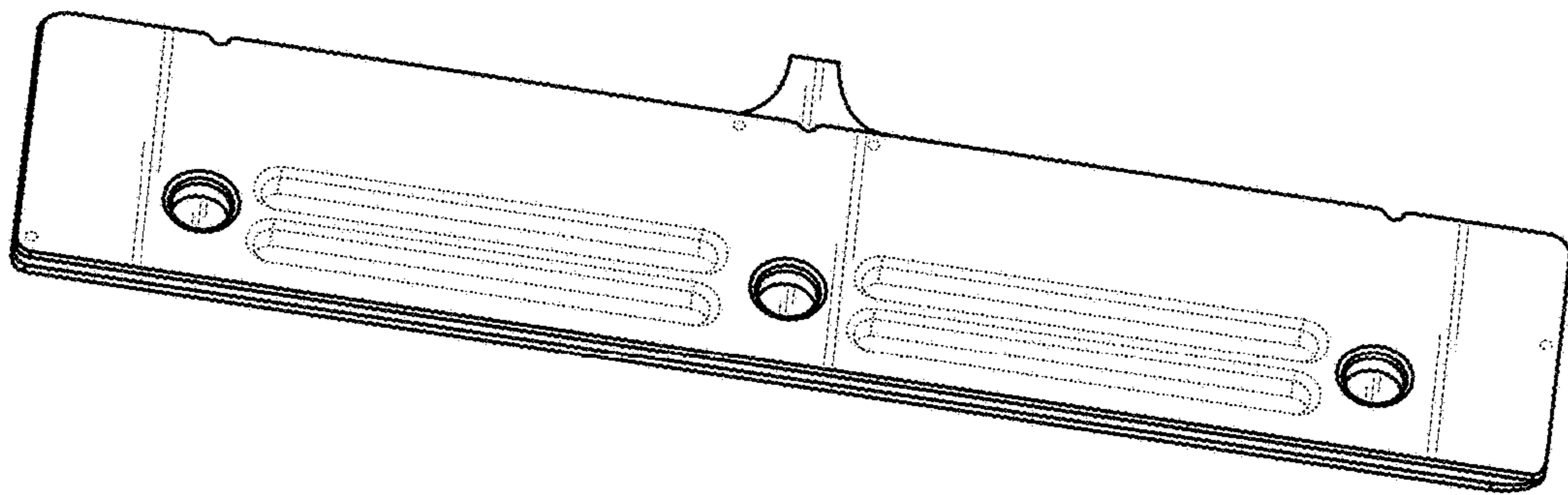


FIG. 2

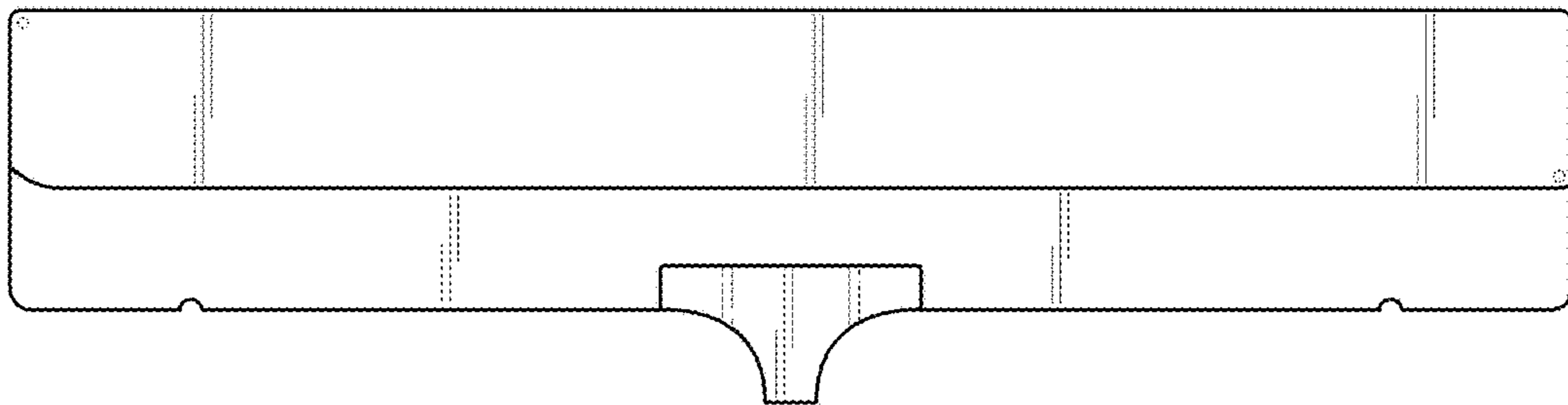


FIG. 3

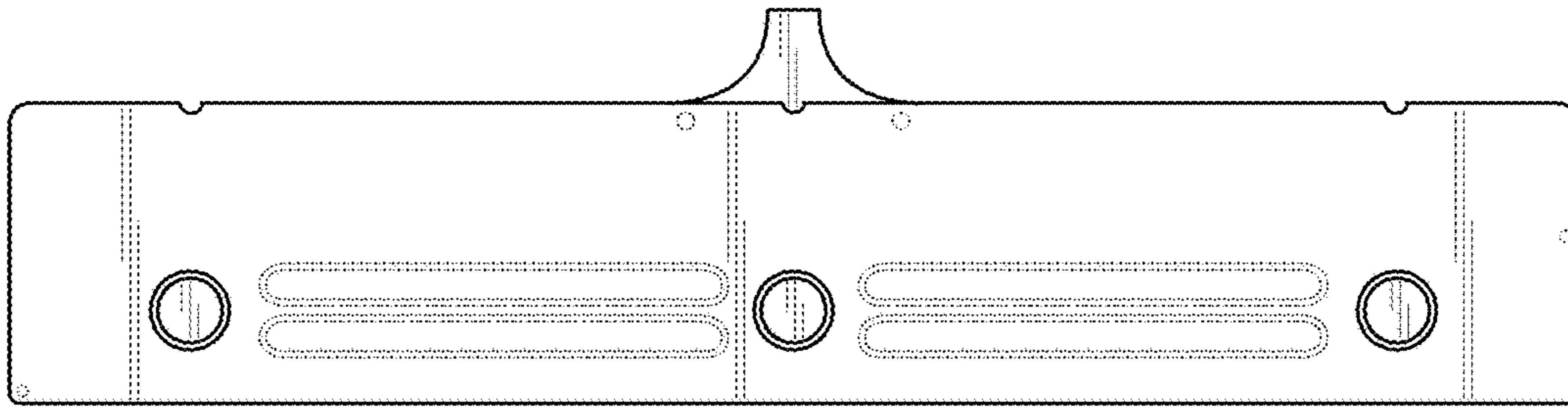


FIG. 4



FIG. 5



FIG. 6





FIG. 7



FIG. 8

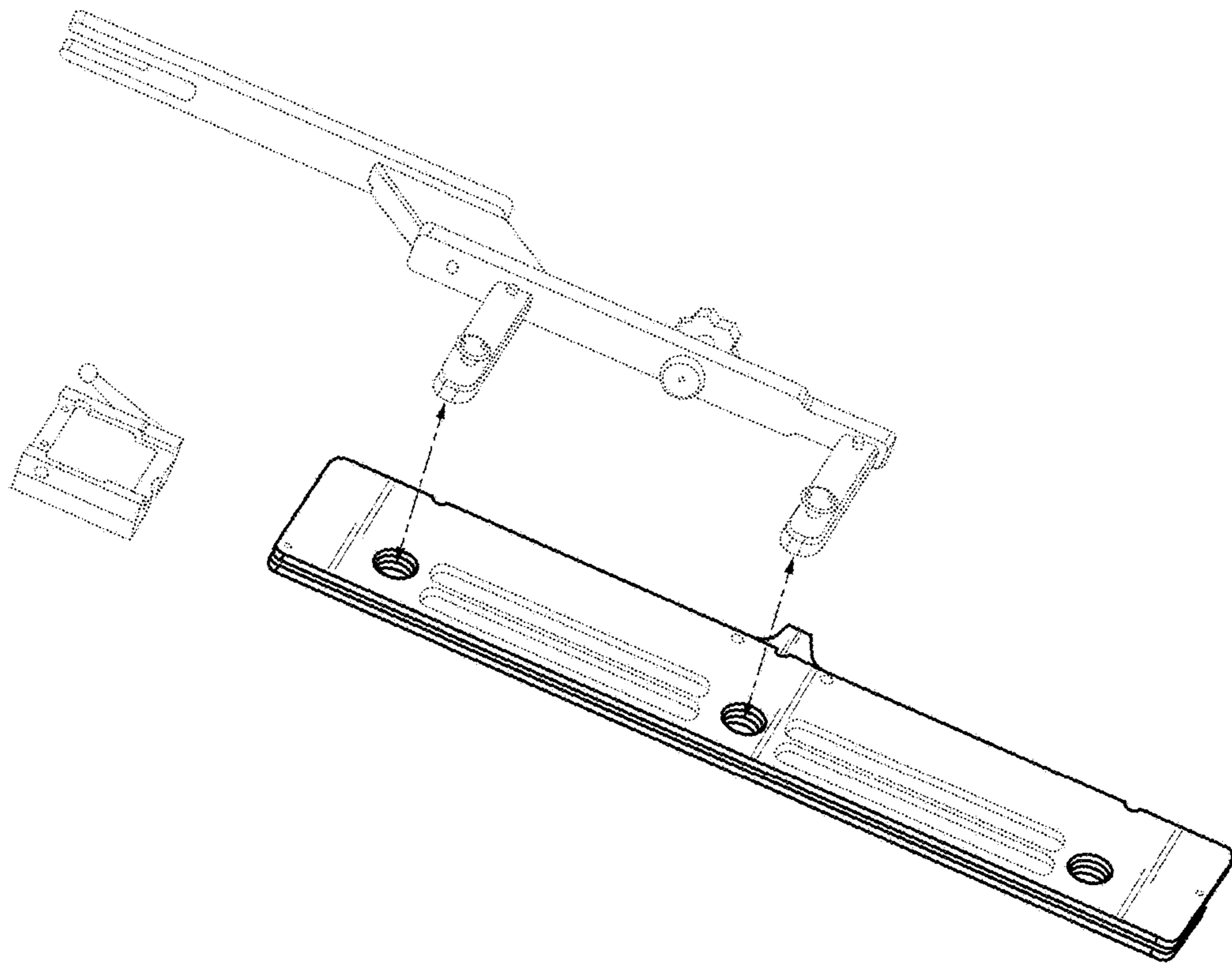


FIG. 9

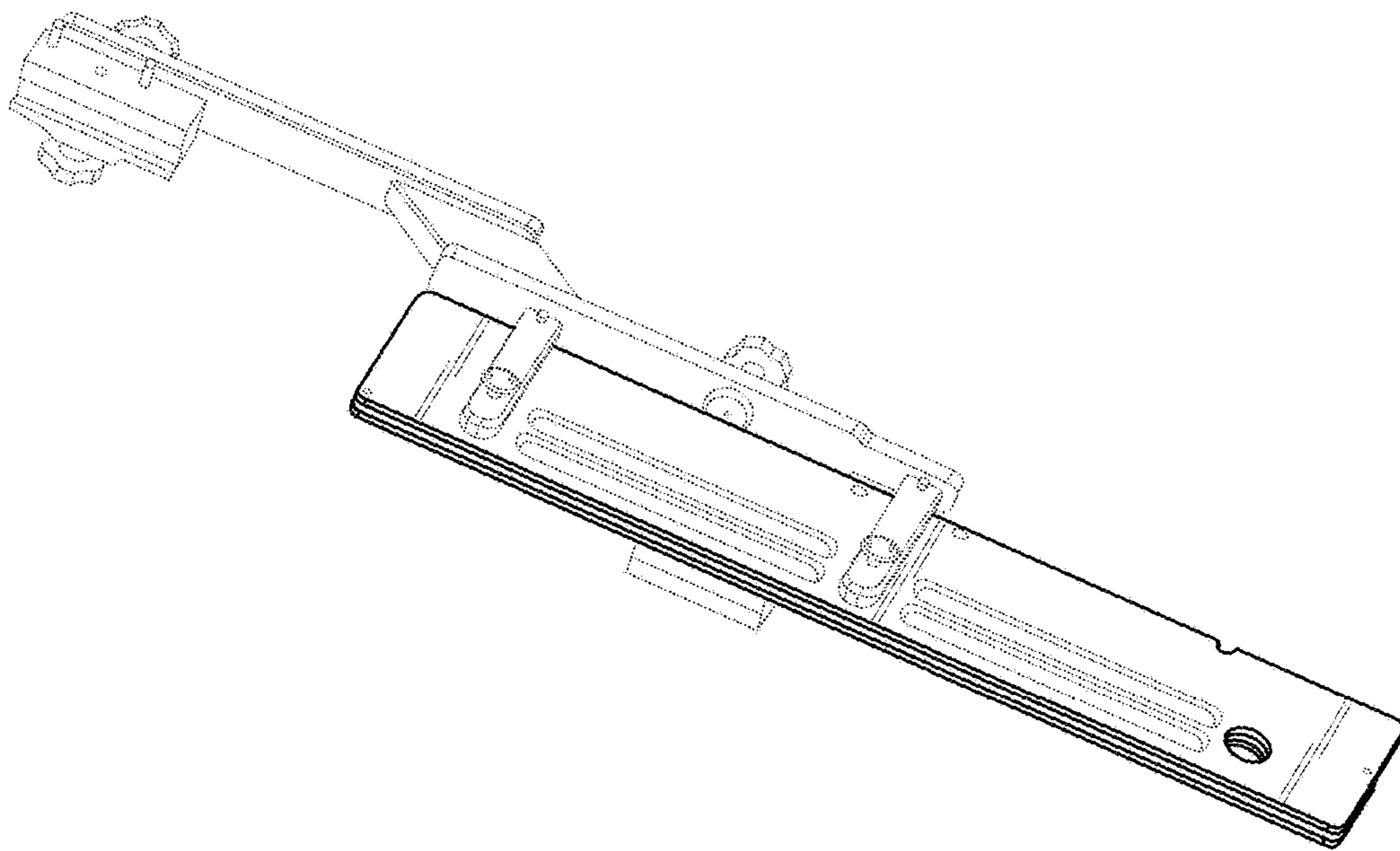


FIG. 10