



US00D844805S

(12) **United States Design Patent** (10) **Patent No.:** **US D844,805 S**
Nathwani et al. (45) **Date of Patent:** **** Apr. 2, 2019**

(54) **HOLDER**

(71) Applicants: **President and Fellows of Harvard College**, Cambridge, MA (US); **Dana-Farber Cancer Institute, Inc.**, Boston, MA (US); **Children’s Medical Center Corporation**, Boston, MA (US)

(72) Inventors: **Bhavik Nathwani**, Cambridge, MA (US); **William M. Shih**, Cambridge, MA (US); **Wesley Philip Wong**, Cambridge, MA (US); **Darren Yang**, Somerville, MA (US)

(73) Assignees: **President and Fellows of Harvard College**, Cambridge, MA (US); **Children’s Medical Center Corporation**, Boston, MA (US); **Dana-Farber Cancer Institute, Inc.**, Boston, MA (US)

(**) Term: **15 Years**

(21) Appl. No.: **29/556,273**

(22) Filed: **Feb. 29, 2016**

(51) **LOC (11) Cl.** **24-03**

(52) **U.S. Cl.**
USPC **D24/219**

(58) **Field of Classification Search**
USPC D24/224–229, 216, 219; 422/560–564,
422/500, 551, 547

(Continued)

(56) **References Cited**

U.S. PATENT DOCUMENTS

1,663,896 A 3/1928 Barkschat
D204,258 S 4/1966 Thomas et al.
(Continued)

OTHER PUBLICATIONS

[No Author Listed], (2) Eppendorf 022638704 Centrifuge Rotor Adaptor Flat 20 × 1.5/2.0ml 4000RPM/eBay listing. <http://www.ebay.com/itm/2-Eppendorf-022638704-C,entrifuge-Rotor-Adaptor-Flat-20-x-1-5>. Publication date unknown, last accessed Mar. 1, 2016. 5 pages.

(Continued)

Primary Examiner — Susan Bennett Hattan

Assistant Examiner — Rebecca Tsehaye

(74) *Attorney, Agent, or Firm* — Wolf, Greenfield & Sacks, P.C.

(57) **CLAIM**

The ornamental design for a holder, as shown and described.

DESCRIPTION

This invention was made with U.S. Government support under Contract No. ONR BAA15-001 awarded by the Office of Naval Research and Contract No. DGE1144152 awarded by the National Science Foundation. The Government has certain rights in the invention.

FIG. 1 is a top, front perspective view of a first embodiment of a holder;

FIG. 2 is a front view thereof;

FIG. 3 is a rear view thereof;

FIG. 4 is a left side view thereof;

FIG. 5 is a right side view thereof;

FIG. 6 is a top view thereof; and

FIG. 7 is a bottom view thereof.

FIG. 8 is a top, front perspective view of a second embodiment of a holder;

FIG. 9 is a front view thereof;

FIG. 10 is a rear view thereof;

FIG. 11 is a left side view thereof;

FIG. 12 is a right side view thereof;

FIG. 13 is a top view thereof; and

FIG. 14 is a bottom view thereof.

FIG. 15 is a top, front perspective view of a third embodiment of a holder;

FIG. 16 is a front view thereof;

FIG. 17 is a rear view thereof;

FIG. 18 is a left side view thereof;

FIG. 19 is a right side view thereof;

FIG. 20 is a top view thereof; and

FIG. 21 is a bottom view thereof.

(Continued)

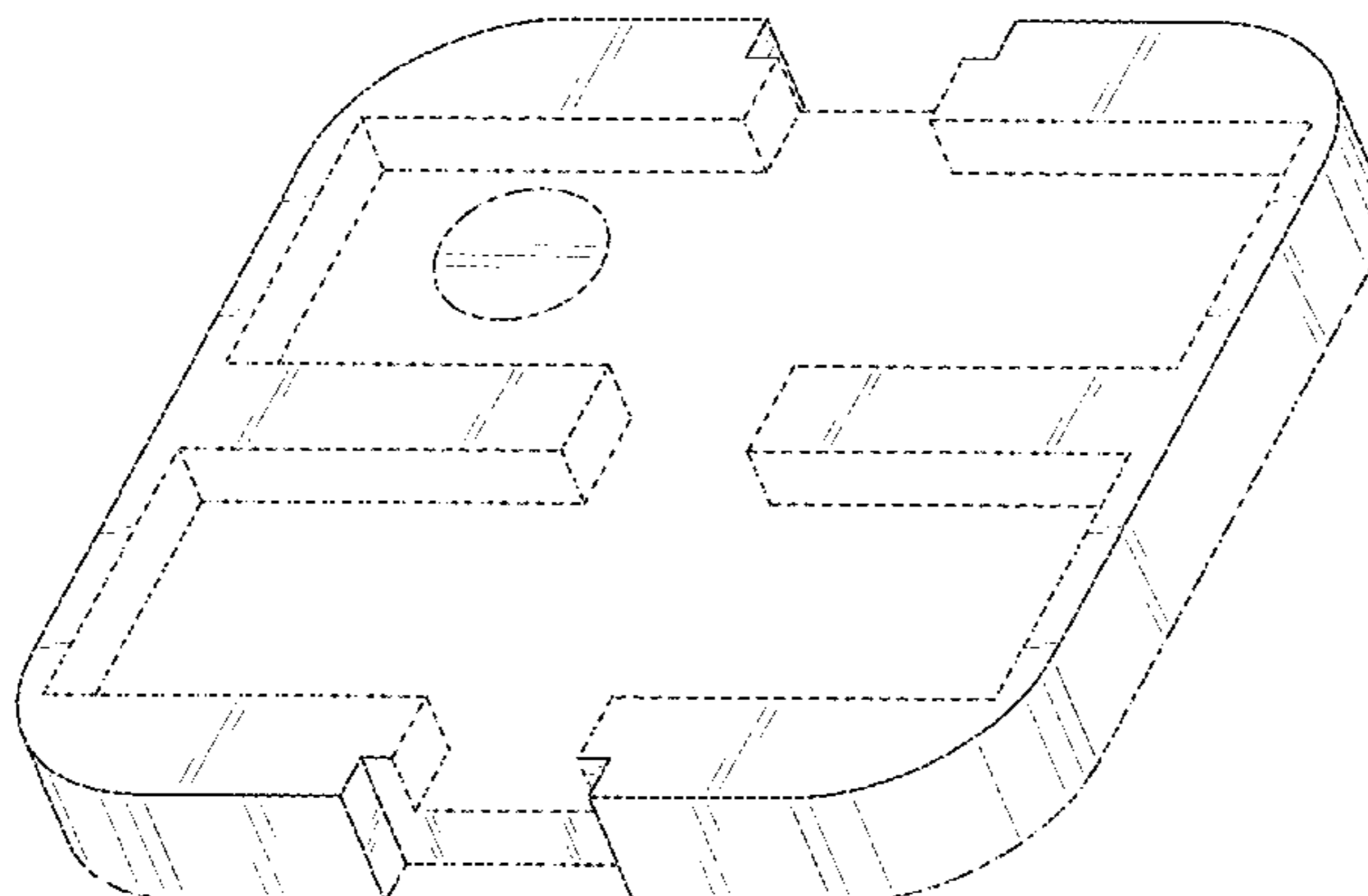


FIG. 22 is a top, front perspective view of a fourth embodiment of a holder;
 FIG. 23 is a front view thereof;
 FIG. 24 is a rear view thereof;
 FIG. 25 is a left side view thereof;
 FIG. 26 is a right side view thereof;
 FIG. 27 is a top view thereof; and,
 FIG. 28 is a bottom view thereof.
 The dashed lines shown illustrate portions of the holder that form no part of the claimed design. The dot-dash-dot lines immediately adjacent the shaded areas represent the bounds of the claimed design.

1 Claim, 28 Drawing Sheets

(58) **Field of Classification Search**

CPC G01N 1/00; G01N 1/31; G01N 1/312;
 G01N 33/4833; G01N 33/483; G01N
 2001/002

See application file for complete search history.

(56) **References Cited**

U.S. PATENT DOCUMENTS

3,687,359	A	8/1972	Scanlon
3,712,535	A	1/1973	Genese et al.
3,837,633	A	9/1974	Paulsen
4,021,345	A	5/1977	Oida
4,032,066	A	6/1977	Wright
4,306,676	A	12/1981	Edwards et al.
4,377,254	A	3/1983	Huffman et al.
4,389,374	A	6/1983	Sutton et al.
4,439,177	A	3/1984	Conway
4,543,084	A	9/1985	Bailey
4,798,579	A	1/1989	Penhasi

5,084,910	A *	1/1992	Albe	G01N 23/20025 378/208
5,409,443	A	4/1995	Zabriskie et al.		
5,704,887	A	1/1998	Slowik et al.		
D433,150	S *	10/2000	Wahlqvist	D24/224
6,375,027	B1	4/2002	Thomas et al.		
6,416,455	B1	7/2002	Aizawa et al.		
6,525,343	B1	2/2003	Tanga		
6,629,918	B2	10/2003	Mesa		
D491,273	S *	6/2004	Biegler	D24/216
6,835,316	B2	12/2004	Dolecek		
6,929,782	B1 *	8/2005	Ciliberto	B01L 3/508 422/561
D562,988	S *	2/2008	Pogorzelski	D24/224
D665,096	S *	8/2012	Marsche	D24/227
D680,228	S *	4/2013	Choi	D24/224
D686,340	S *	7/2013	Smith	D24/225
8,624,199	B2 *	1/2014	Barrett	H01J 37/20 250/440.11
D722,385	S *	2/2015	Fonseca	D24/224
D800,336	S *	10/2017	Chang	D24/224
D800,338	S *	10/2017	Black	D24/229
D815,751	S	4/2018	Tominaga		
2002/0173415	A1	11/2002	Mesa		
2004/0209755	A1	10/2004	Moore et al.		
2006/0034727	A1	2/2006	Takamura et al.		
2016/0083772	A1	3/2016	Gorse et al.		

OTHER PUBLICATIONS

[No Author Listed], Eppendorf 1 × 50 ml Falcon Conical Rectangular Adapter Centrifuge 5804 R 5810 R/eBay listing. <http://www.ebay.com/itm/Eppendorf-1-x-50-ml-Falcon-Conical-Rectangular-adapter-Centri>. Publication date unknown, last accessed Mar. 1, 2016. 3 pages.
 [No Author Listed], Eppendorf 5810 Centrifuge 16 × 1.5 ml Adapters, Cat# 022638220/eBay listing. http://www.ebay.com/itm/like/331156896375?ul_noapp=true&chn=ps&lpid=82. Publication date unknown, last accessed Mar. 1, 2016. 4 pages.

* cited by examiner

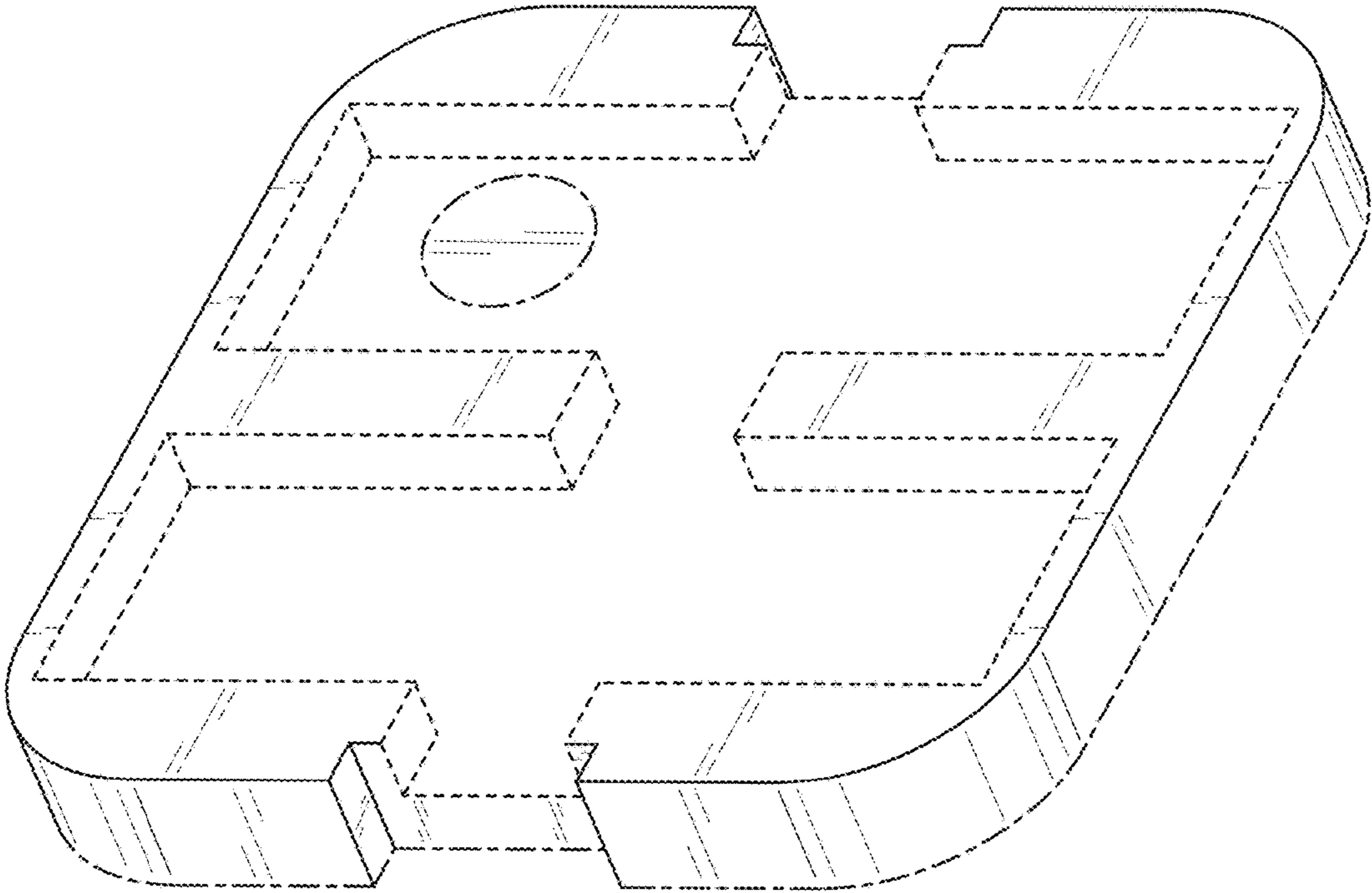


FIG. 1

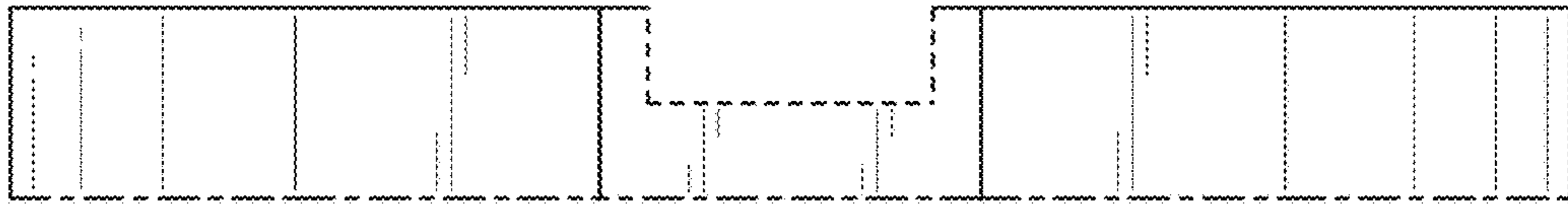


FIG. 2

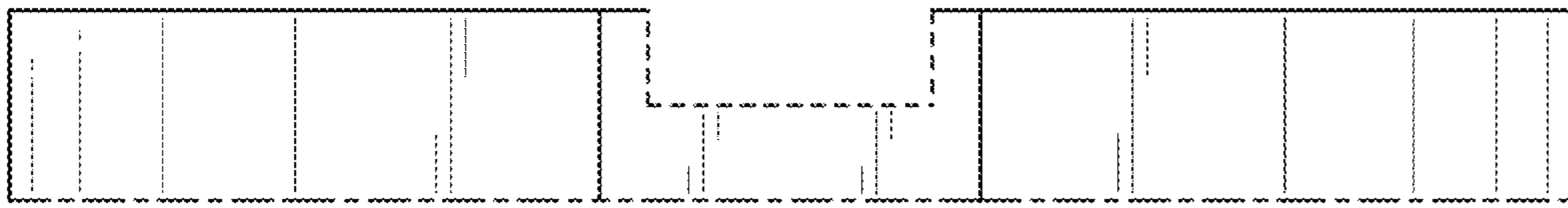


FIG. 3



FIG. 4



FIG. 5

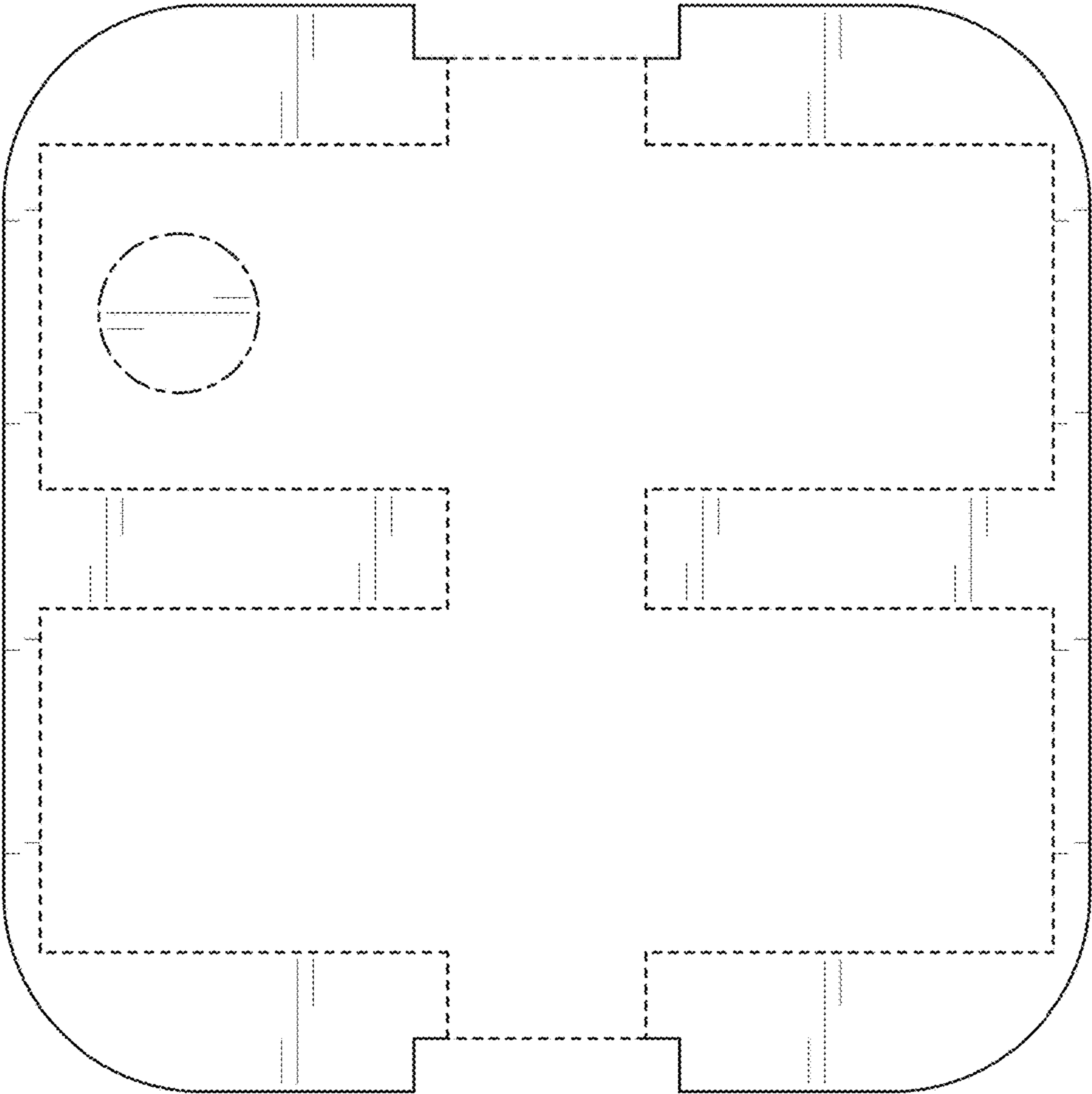


FIG. 6

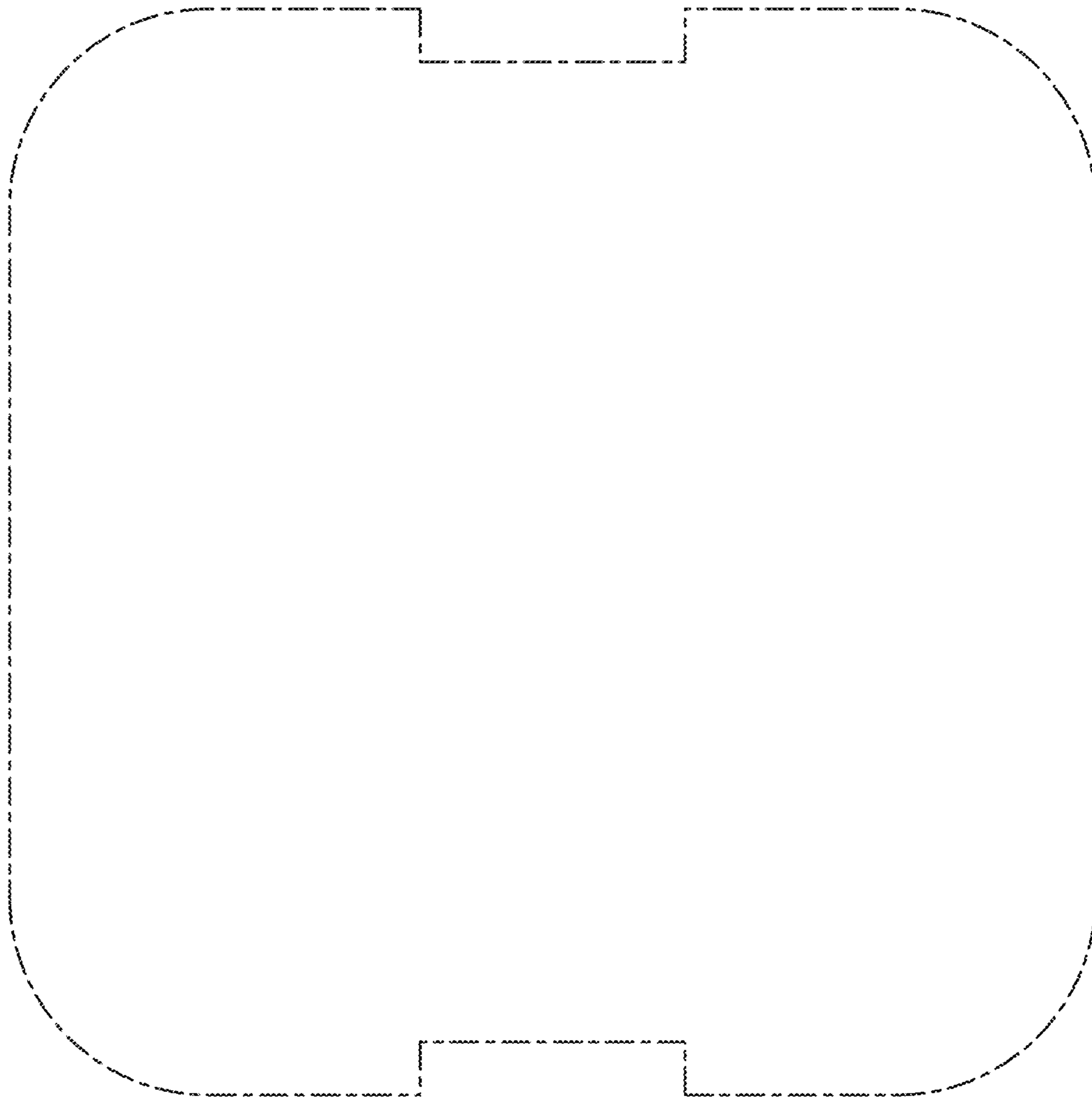


FIG. 7

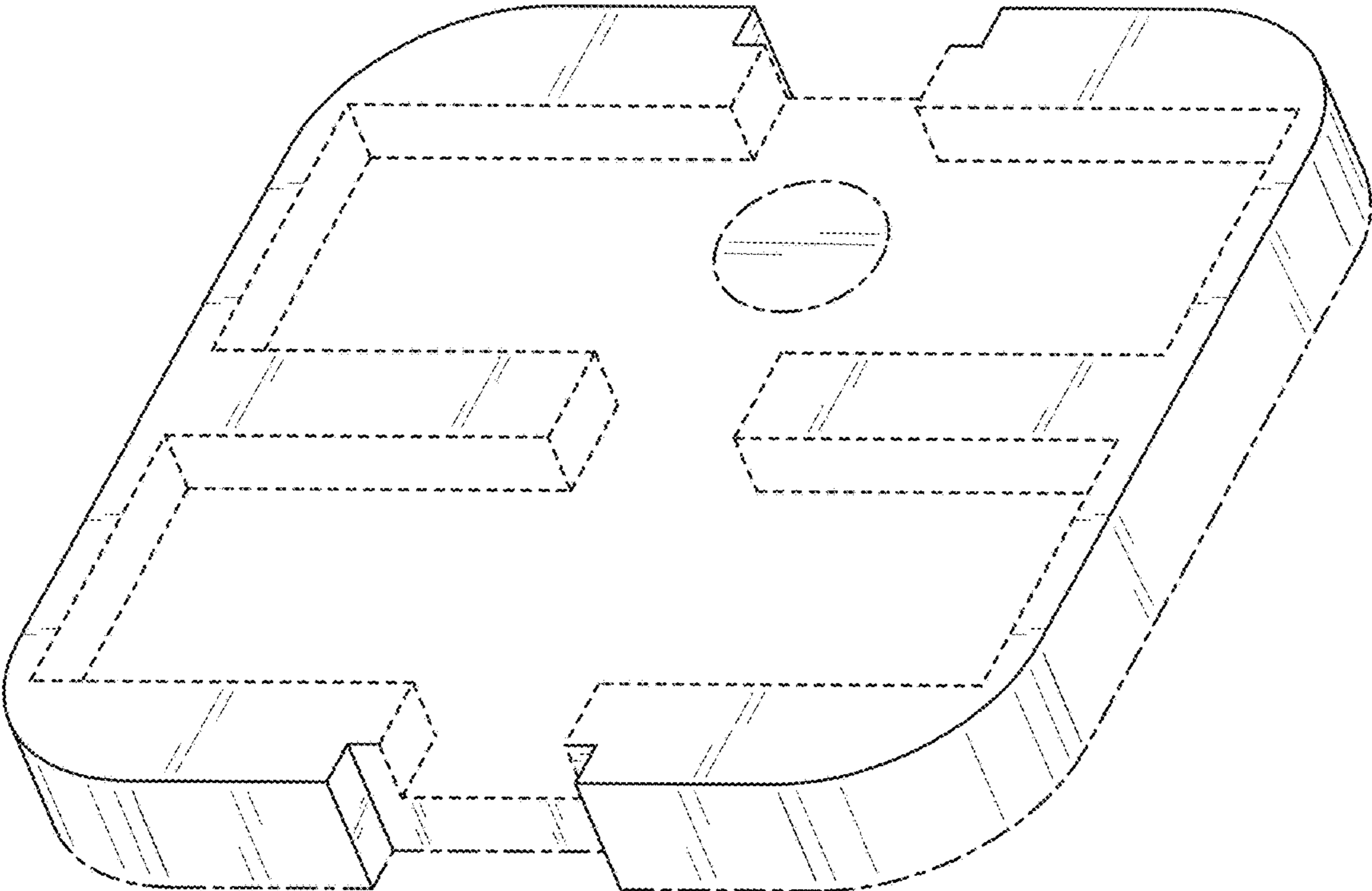


FIG. 8

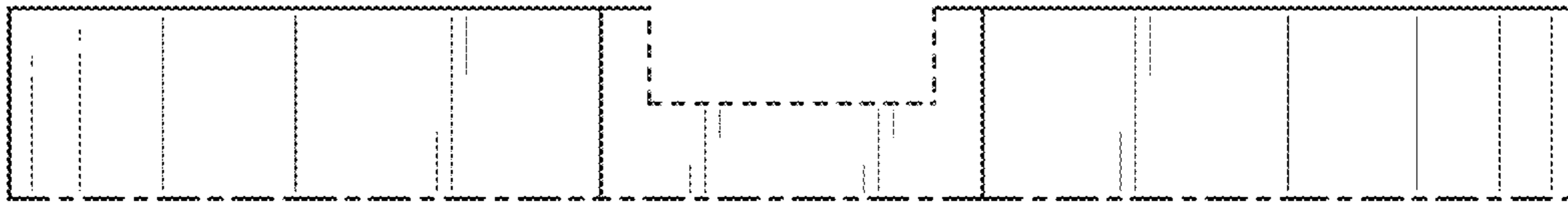


FIG. 9

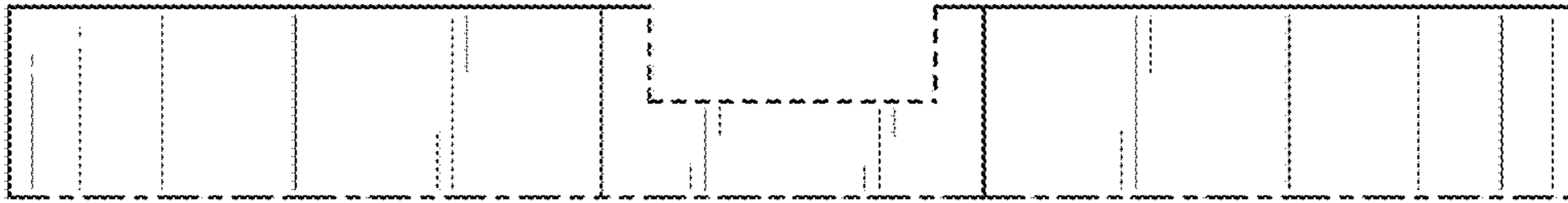


FIG. 10



FIG. 11



FIG. 12

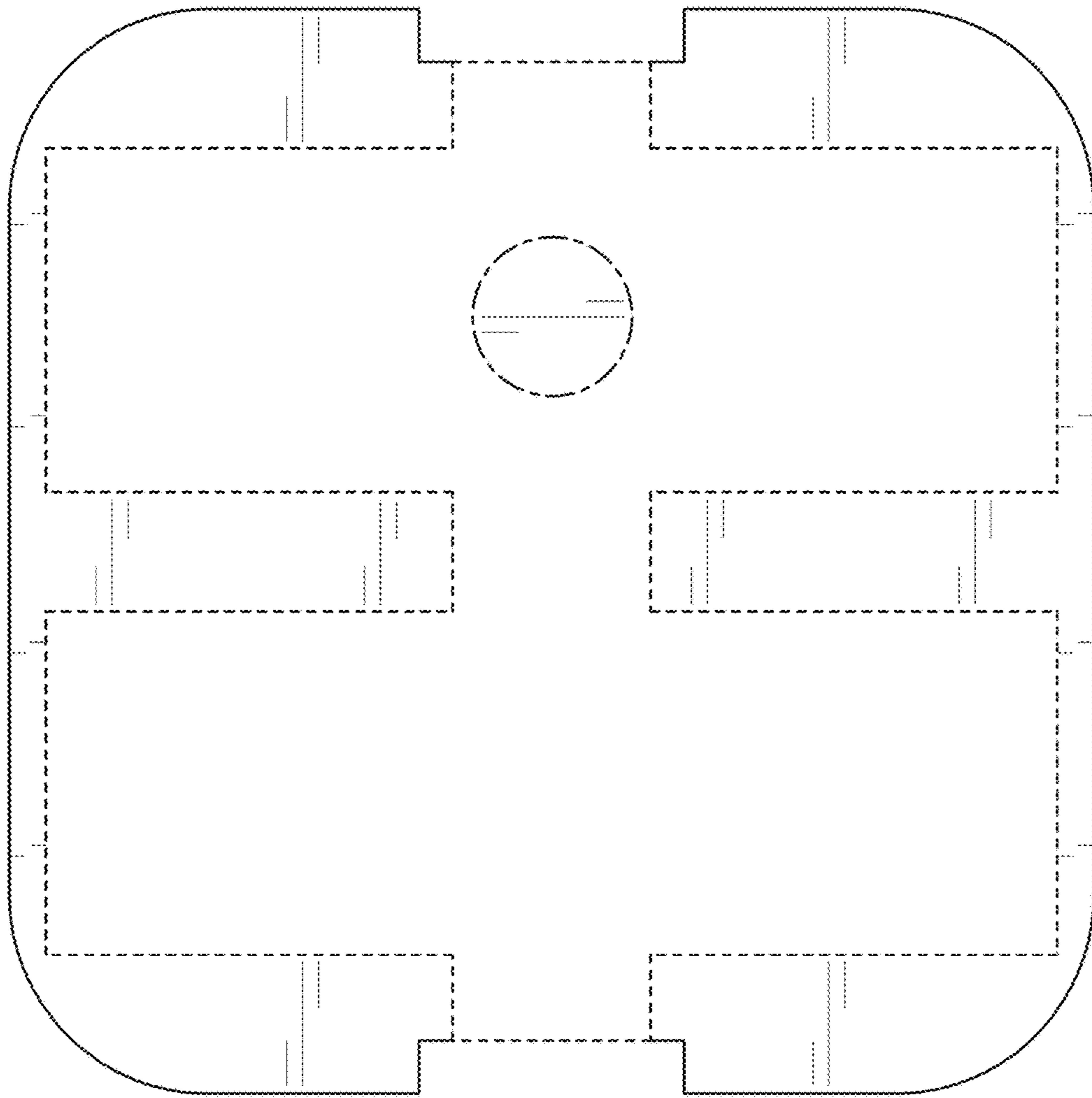


FIG. 13

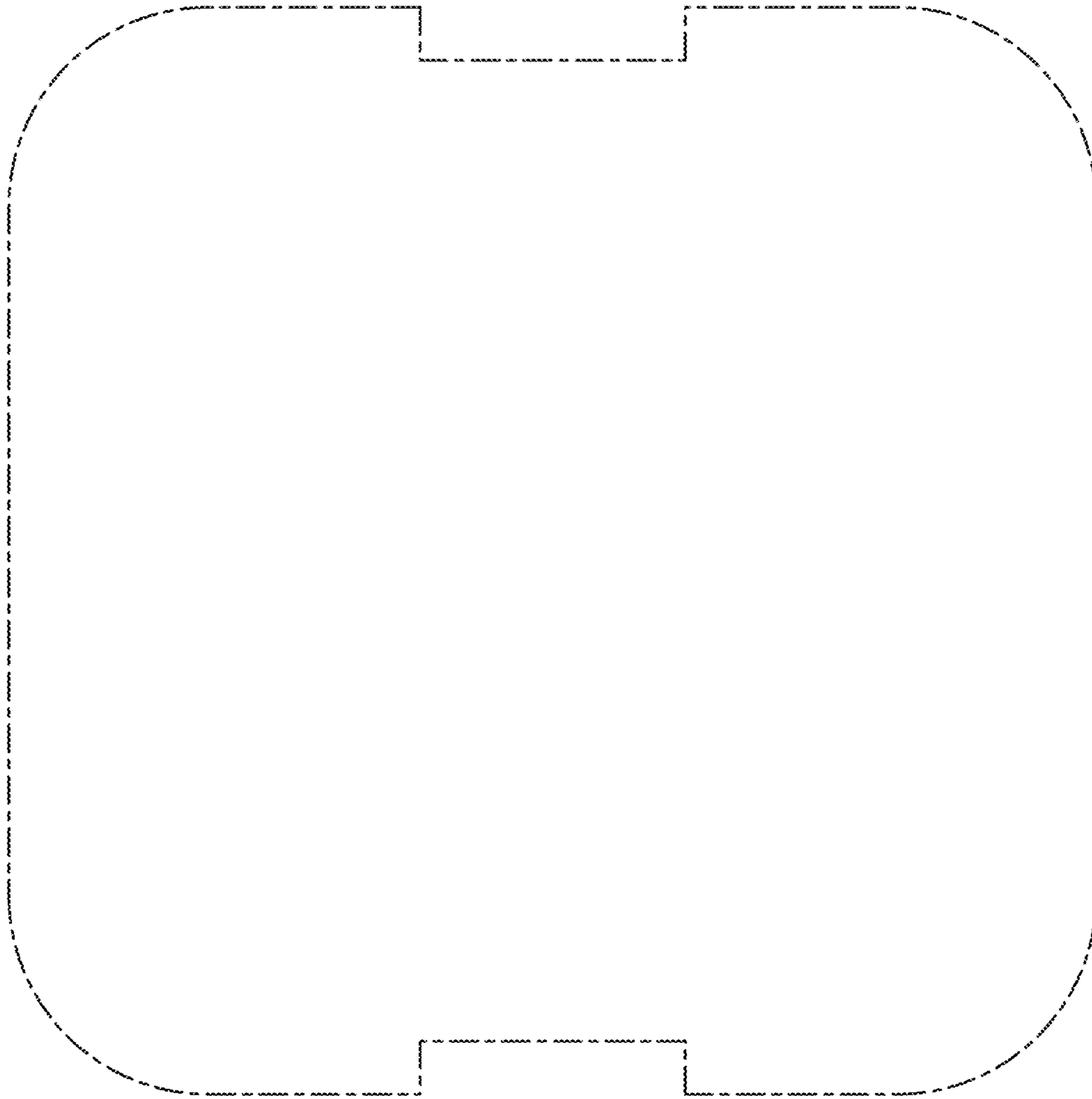


FIG. 14

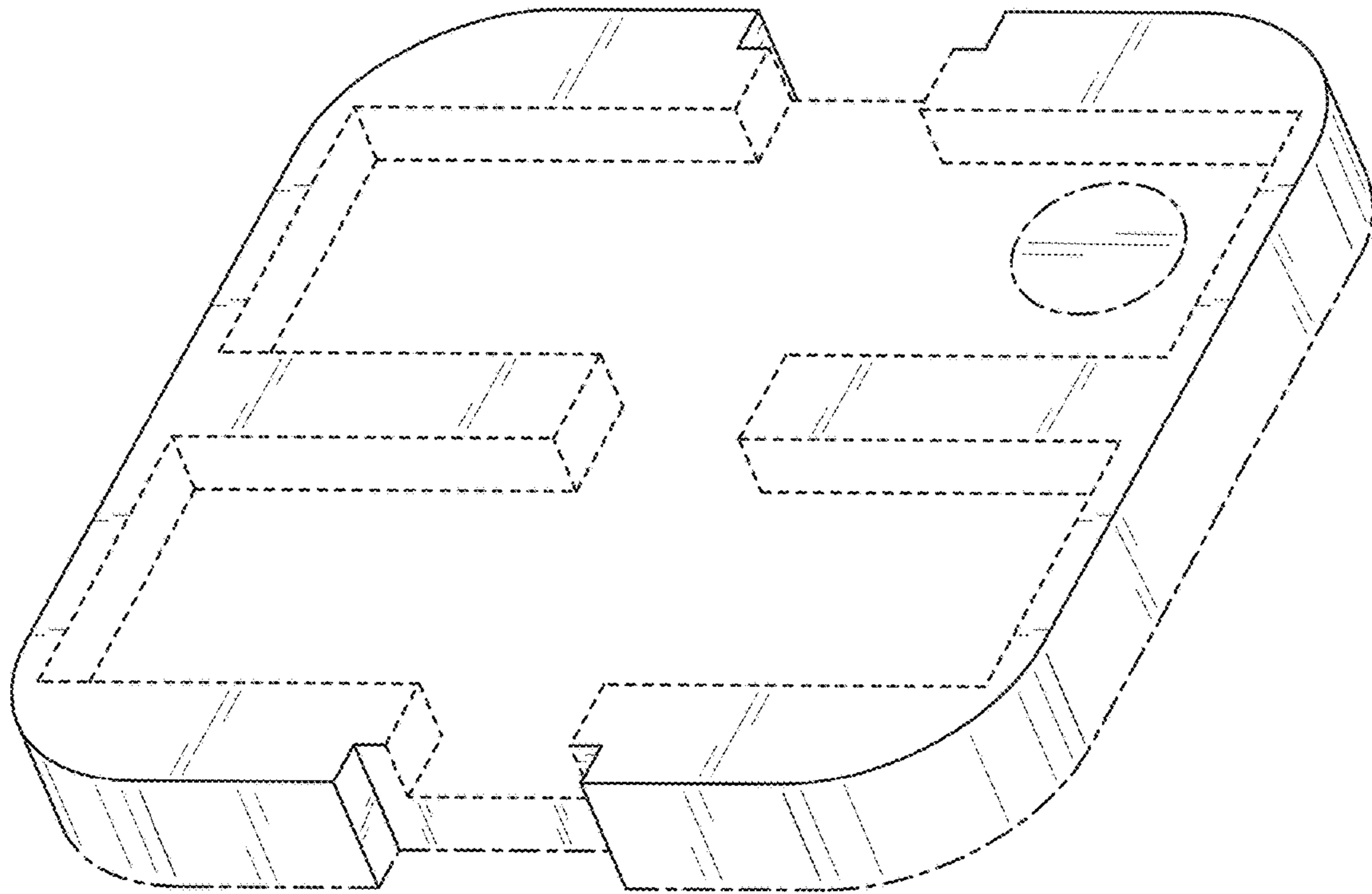


FIG. 15

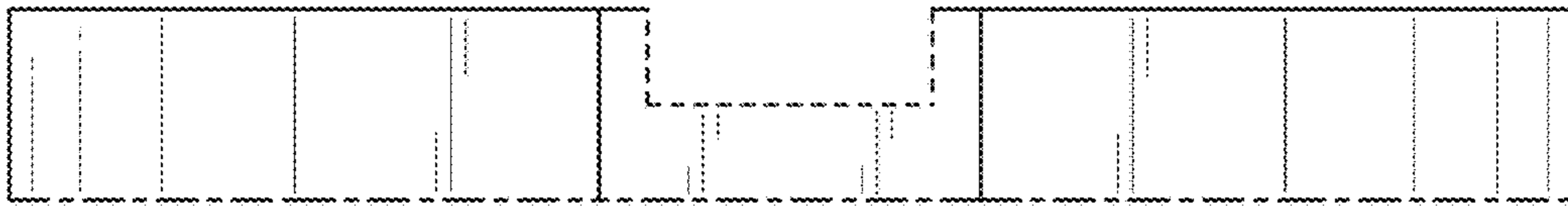


FIG. 16

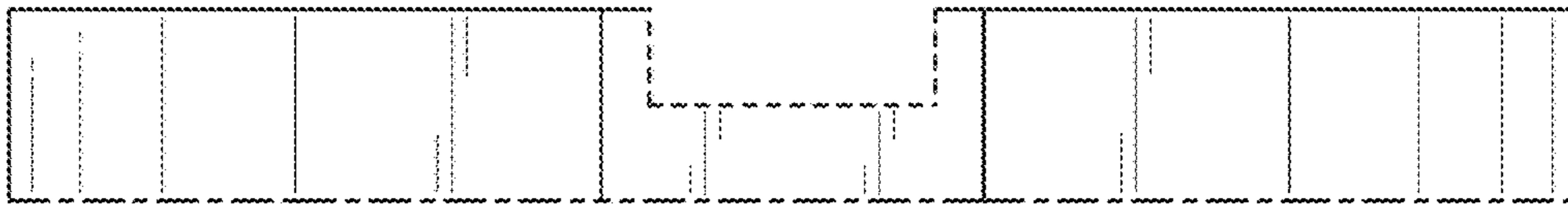


FIG. 17



FIG. 18



FIG. 19

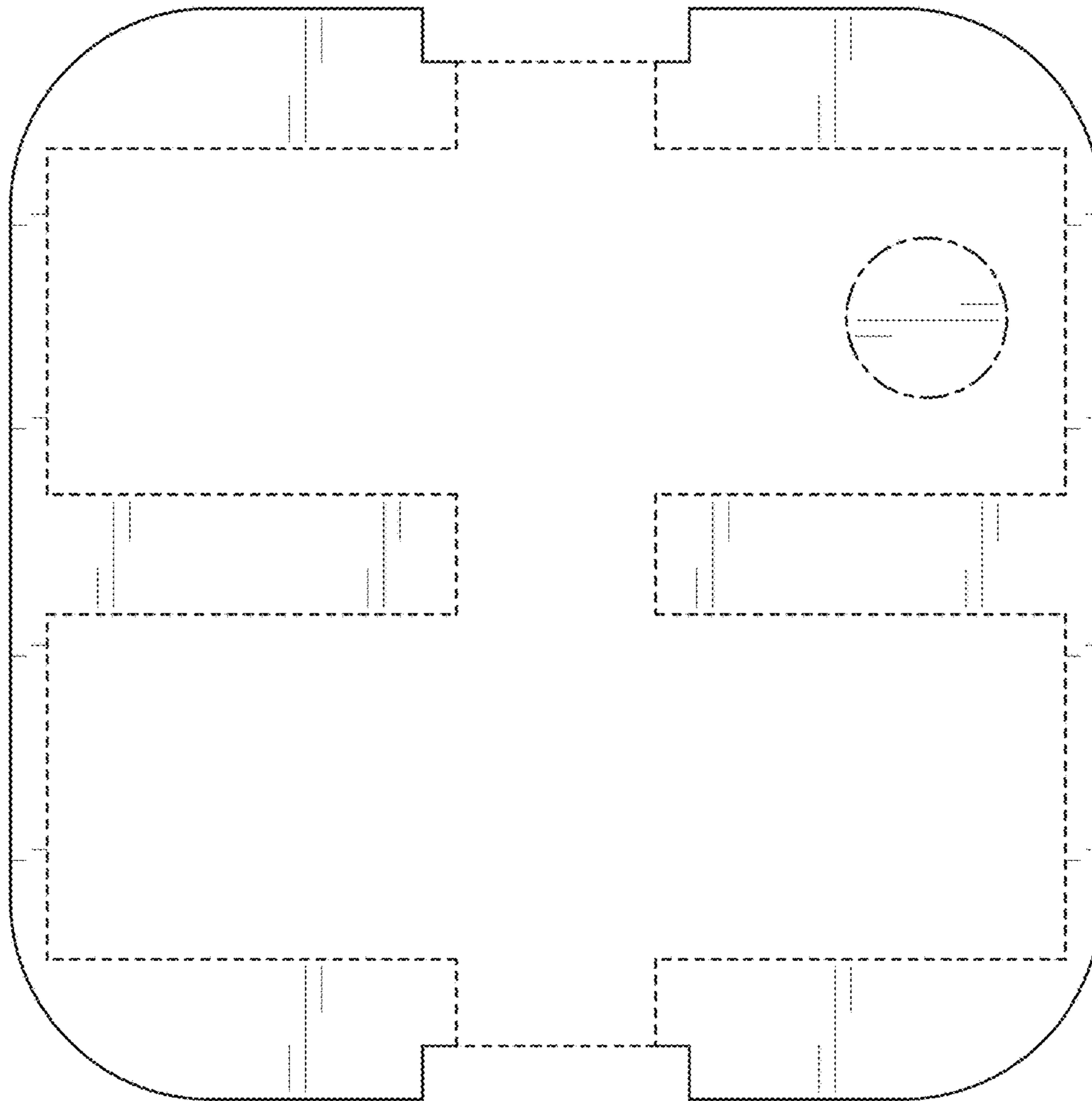


FIG. 20

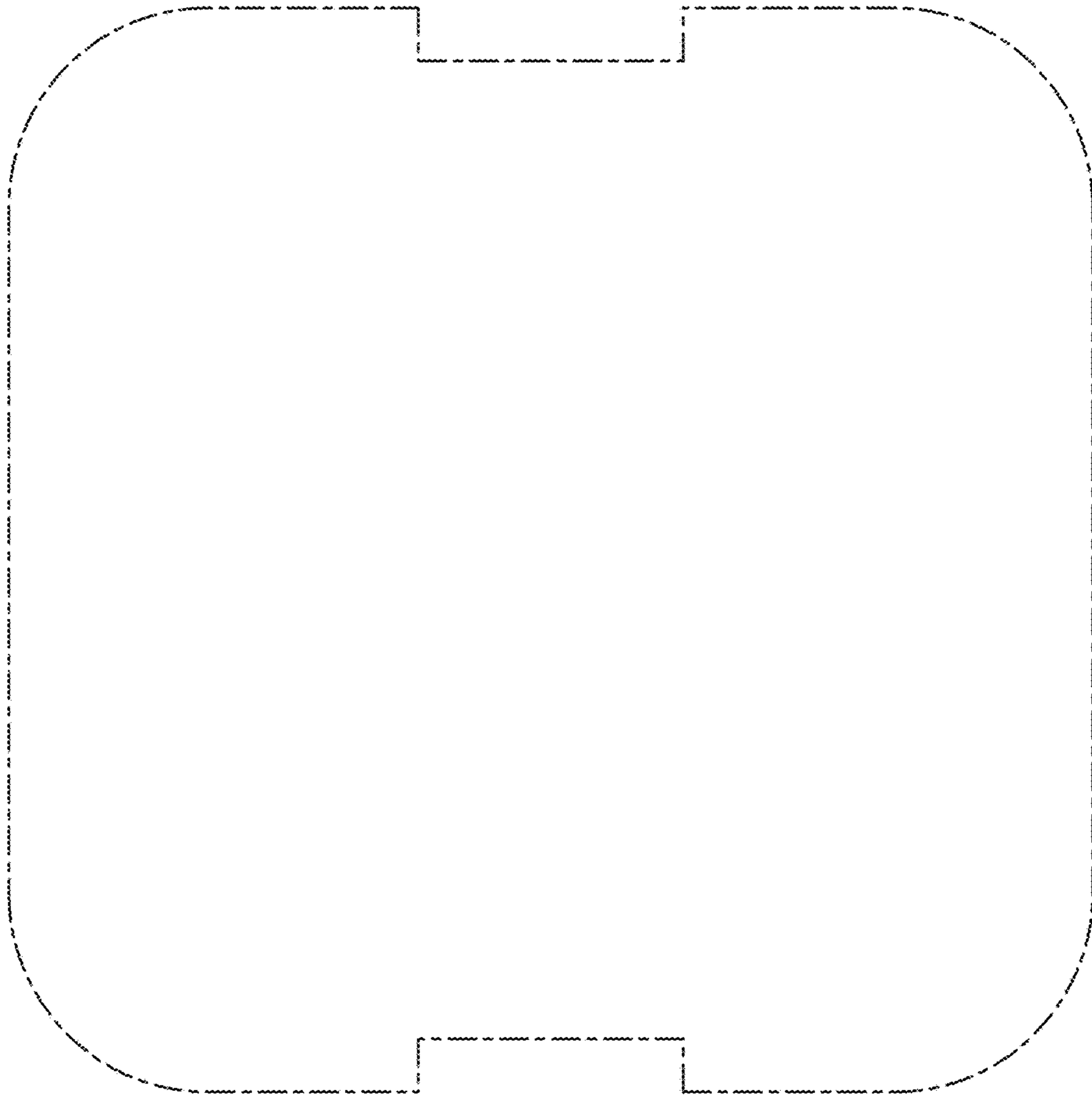


FIG. 21

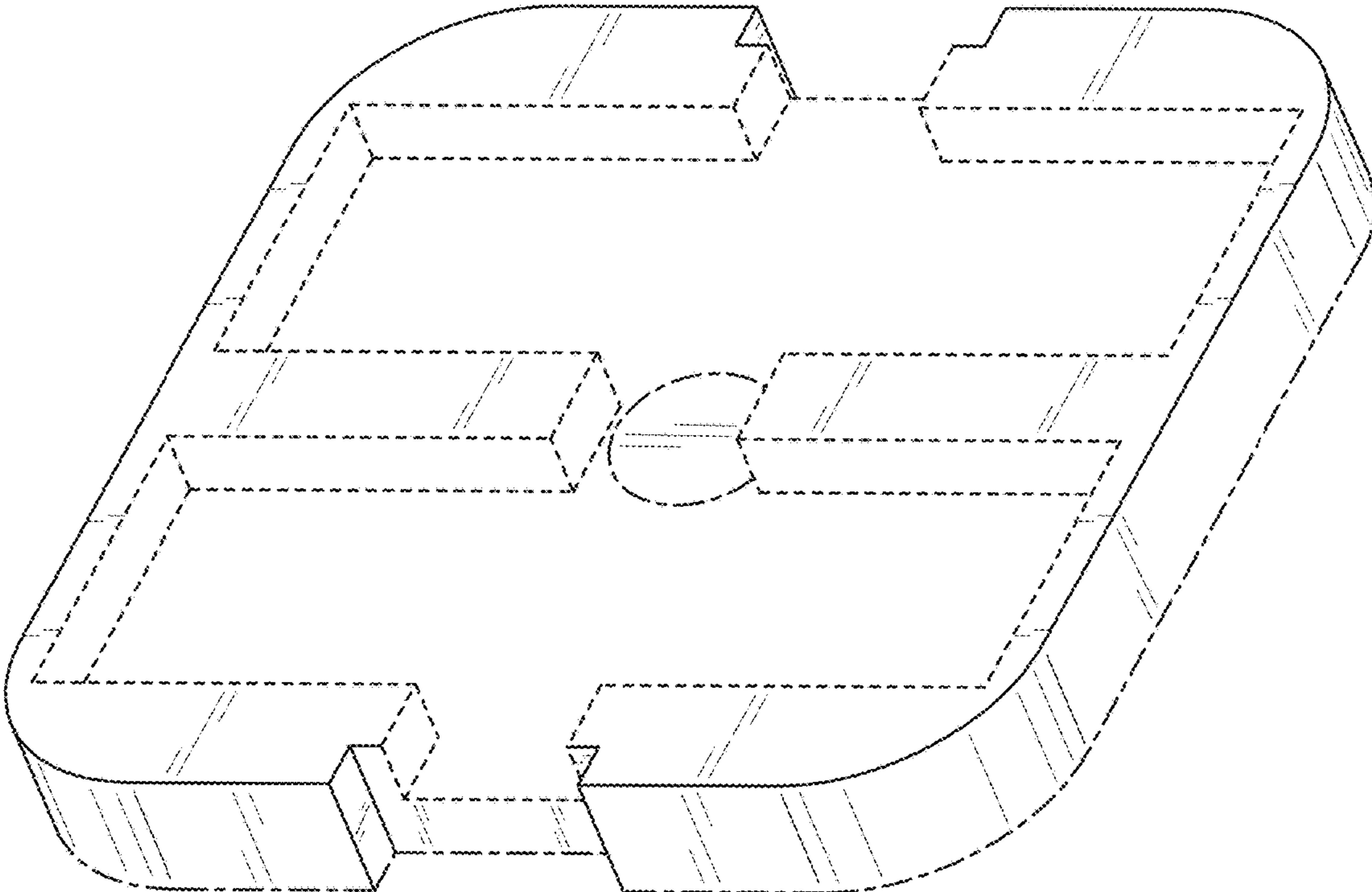


FIG. 22

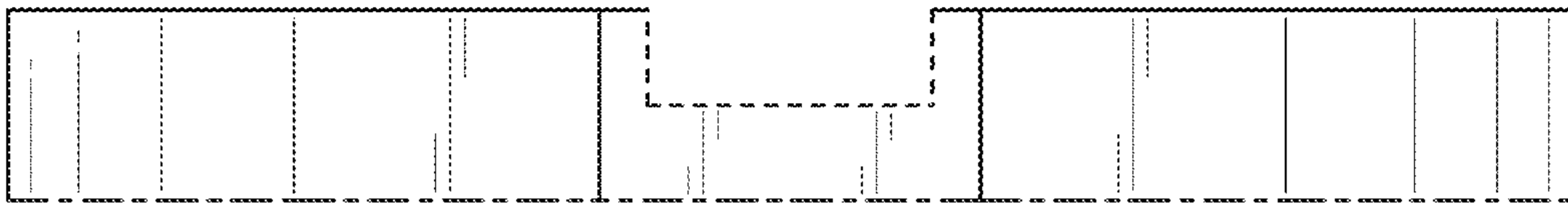


FIG. 23

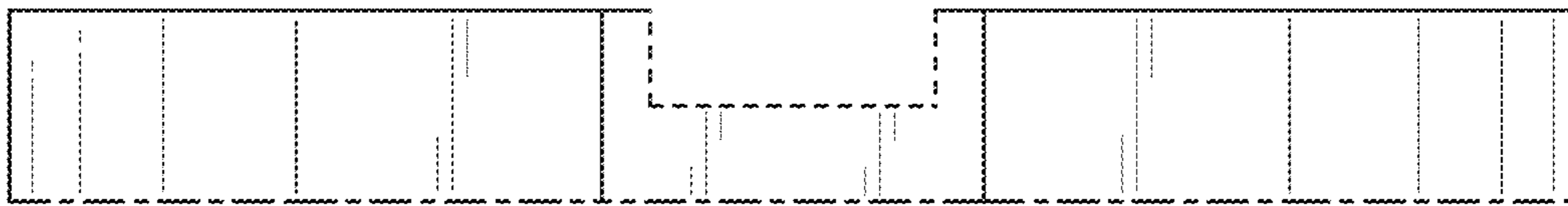


FIG. 24



FIG. 25



FIG. 26

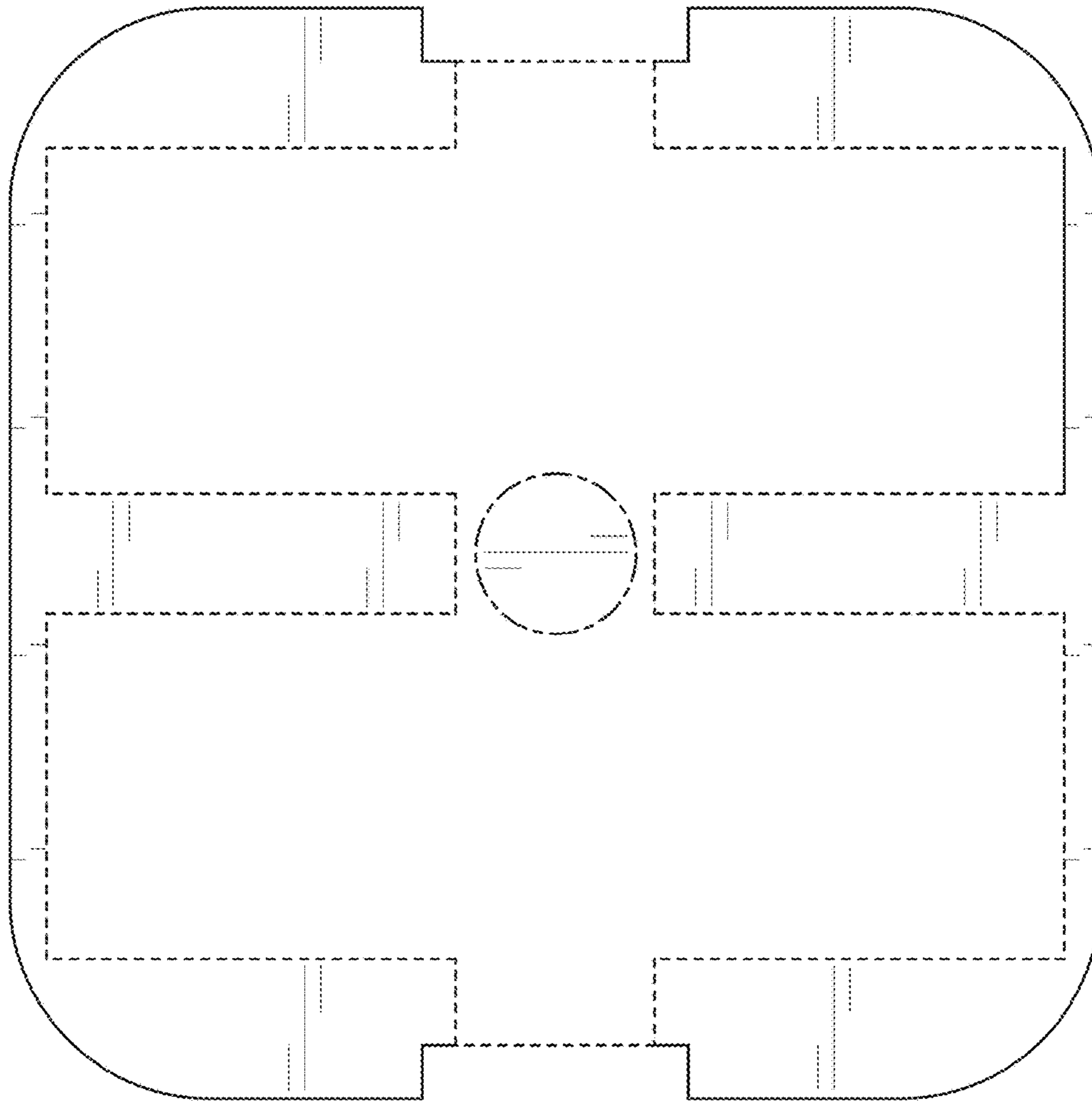


FIG. 27

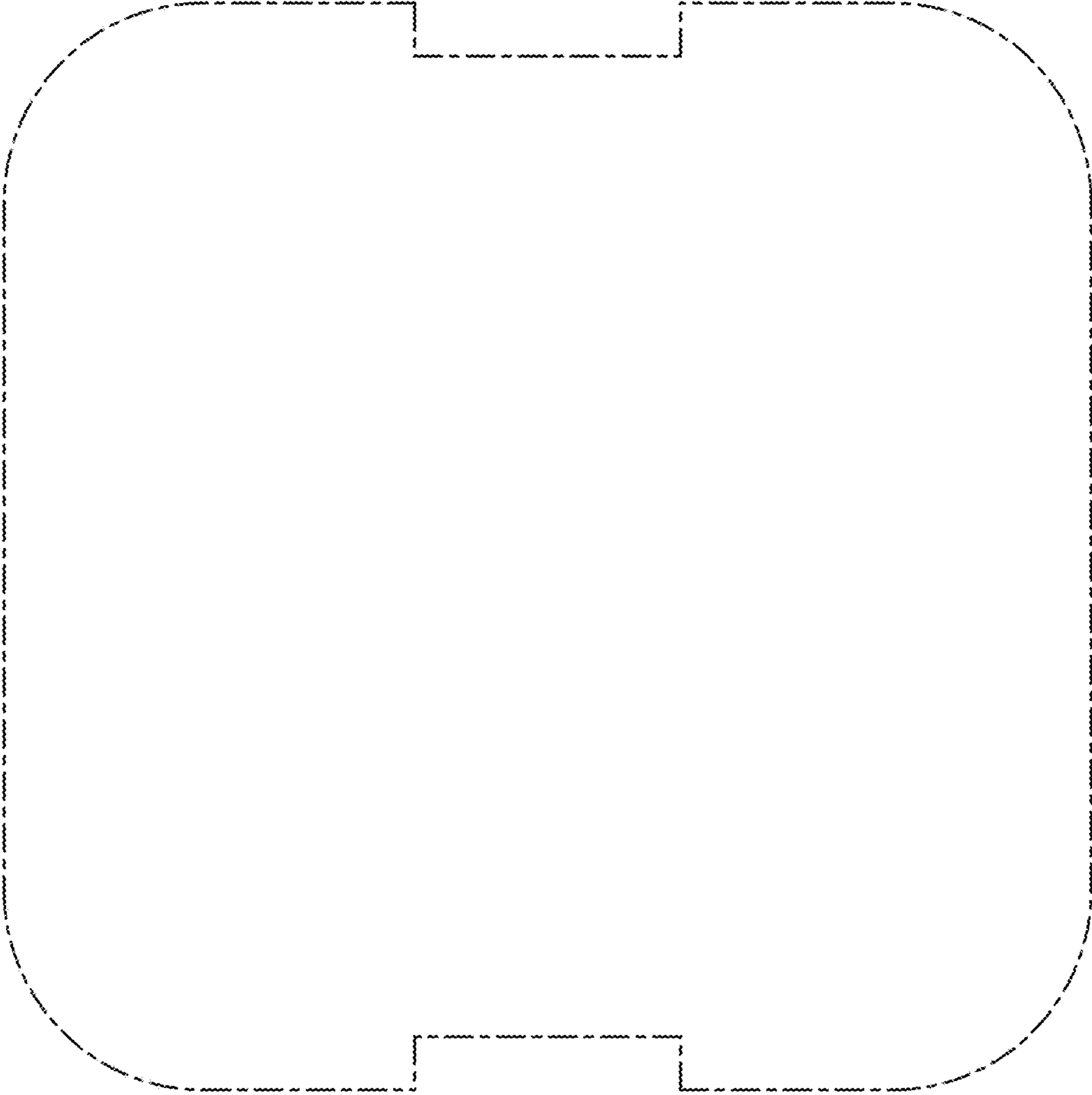


FIG. 28