



US00D844802S

(12) **United States Design Patent** (10) **Patent No.:** **US D844,802 S**  
**Reyes** (45) **Date of Patent:** **\*\* Apr. 2, 2019**

(54) **MESSAGE DEVICE**  
(71) Applicant: **Jesus N. Reyes**, Moorestown, NJ (US)  
(72) Inventor: **Jesus N. Reyes**, Moorestown, NJ (US)  
(\*\*) Term: **15 Years**  
(21) Appl. No.: **29/622,070**

D378,134 S \* 2/1997 Kuan ..... D24/200  
5,766,210 A 6/1998 Komoroczy et al.  
5,792,081 A 8/1998 Cross  
D452,572 S \* 12/2001 Nakamura ..... D24/200  
6,607,499 B1 8/2003 Becher  
6,708,699 B2 3/2004 McGriff, III  
D537,310 S \* 2/2007 McLean ..... D8/57  
D578,648 S \* 10/2008 Wood ..... D24/133  
D709,195 S \* 7/2014 Peck ..... D24/143  
D726,840 S \* 4/2015 Lorelli ..... D21/662  
2014/0288473 A1 9/2014 Matsushita

(22) Filed: **Oct. 13, 2017**  
(51) **LOC (11) Cl.** ..... **28-03**  
(52) **U.S. Cl.**  
USPC ..... **D24/215**  
(58) **Field of Classification Search**  
USPC ..... D24/200, 211, 212, 213, 214, 215;  
601/19, 22, 40, 46, 52, 63, 99, 110-113,  
601/118-120, 125, DIG. 12, DIG. 14,  
601/DIG. 15, DIG. 16, DIG. 17; D8/52,  
D8/57  
CPC ..... A61H 1/00; A61H 2015/0007; A61H  
2015/0014; A61H 2015/0042; A61H  
15/00; A61H 11/00; A61H 21/00; A61H  
37/00  
See application file for complete search history.

**OTHER PUBLICATIONS**

Roller massage system. Patent [online]. Google patents. [Retrieved on Nov. 16, 2016]. <URL: <https://www.google.com/patents/EP2775985A1?cl=en>>.

\* cited by examiner

*Primary Examiner* — Sandra S Snapp  
(74) *Attorney, Agent, or Firm* — Cramer Patent & Design, PLLC; Aaron R. Cramer

(57) **CLAIM**

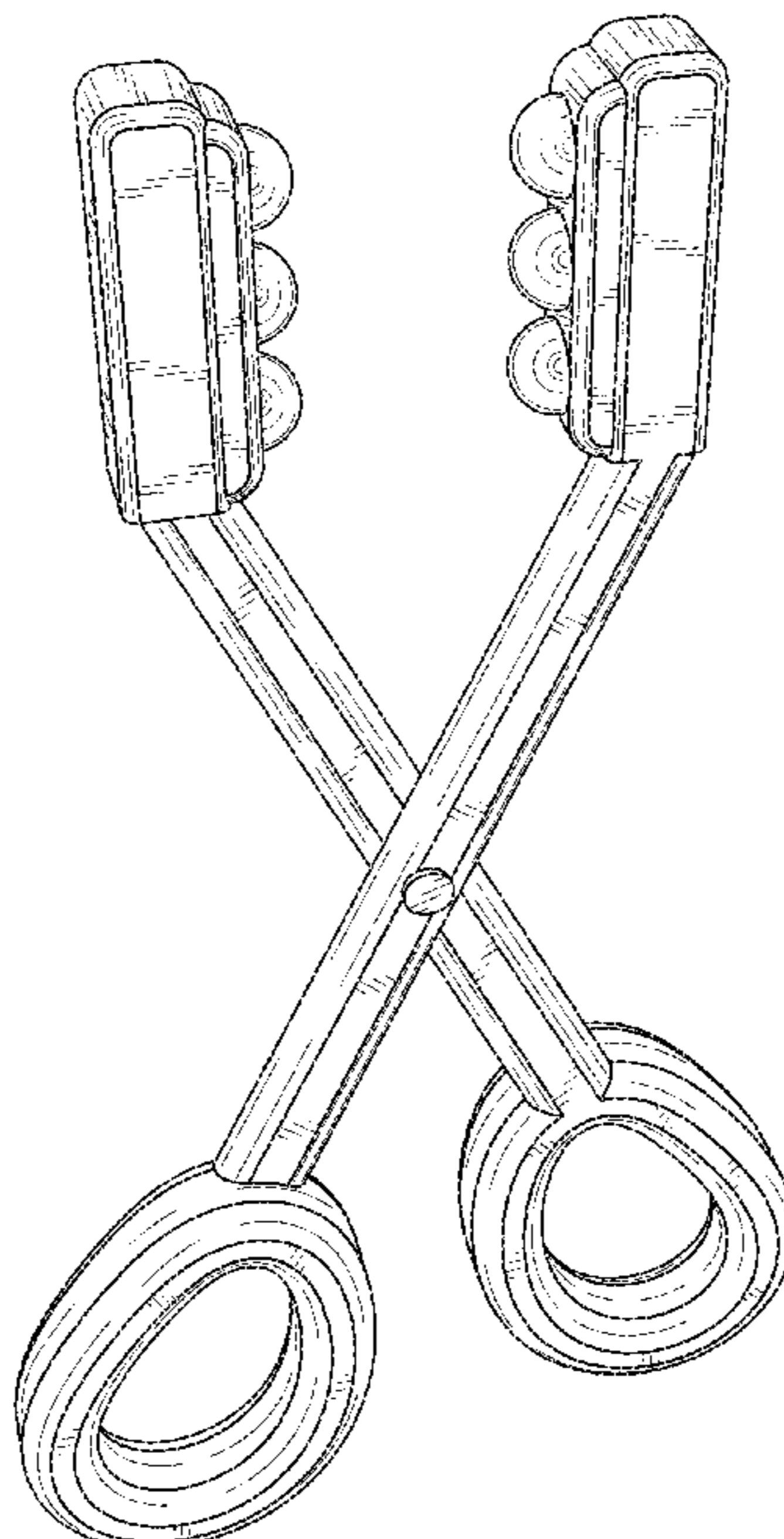
The ornamental design for a massage device, as shown and described.

**DESCRIPTION**

FIG. 1 is a perspective top front left view of a massage device, showing my new design;  
FIG. 2 is a front elevation view thereof, with the rear elevation view being identical;  
FIG. 3 is a right elevation view thereof, with the left elevation view being identical;  
FIG. 4 is a top plan view thereof; and,  
FIG. 5 is a bottom plan view thereof.

**1 Claim, 4 Drawing Sheets**

(56) **References Cited**  
**U.S. PATENT DOCUMENTS**  
1,400,547 A 12/1921 Holmstrom  
2,223,263 A 11/1940 Michaelson  
2,959,167 A \* 11/1960 Leclabart ..... A61H 7/00  
601/133  
D258,143 S \* 2/1981 Flick ..... 15/167.2  
4,549,536 A \* 10/1985 Varjabedian ..... A61H 39/04  
52/DIG. 10  
5,405,311 A \* 4/1995 Pecora ..... A61H 7/001  
601/133



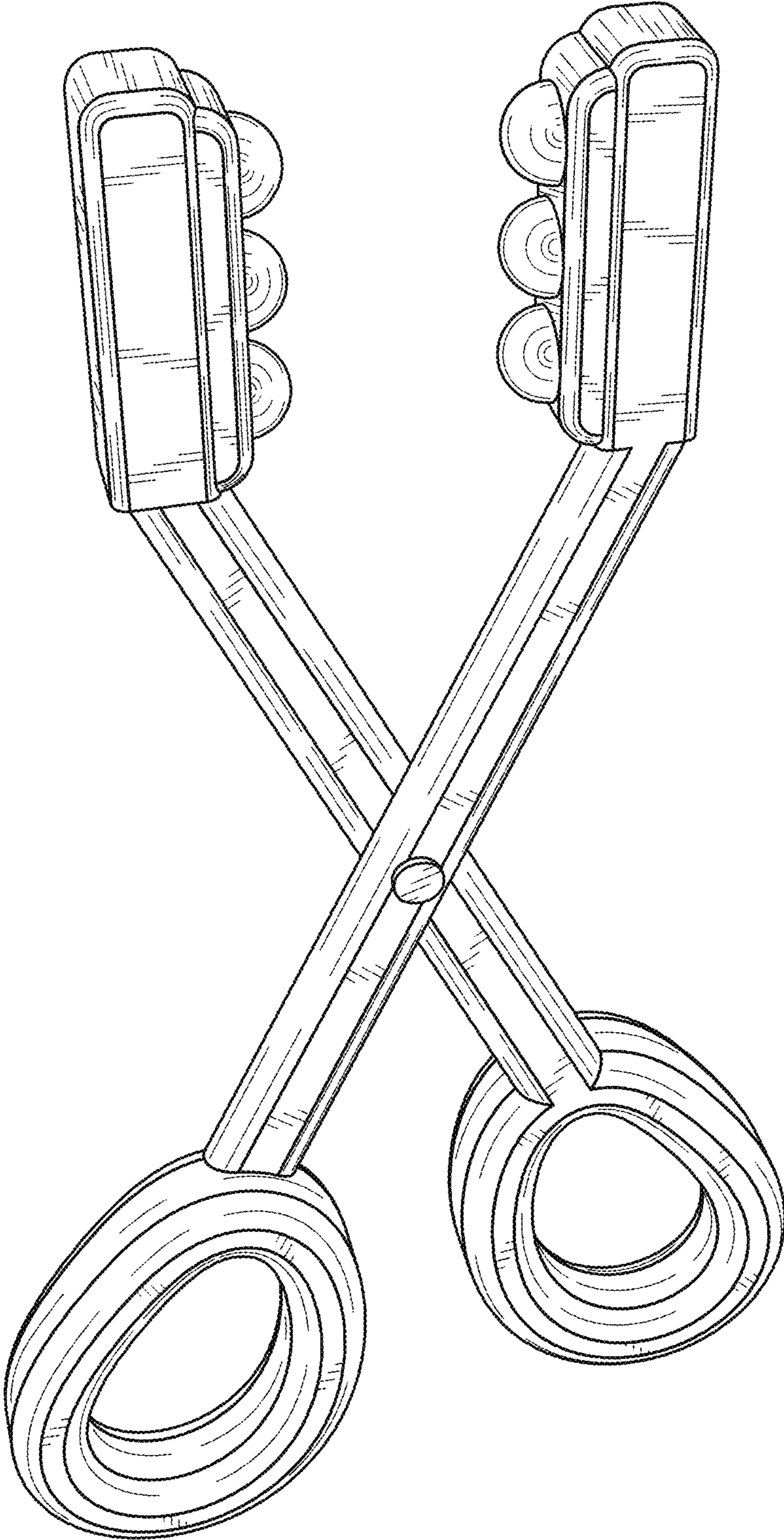


FIG. 1

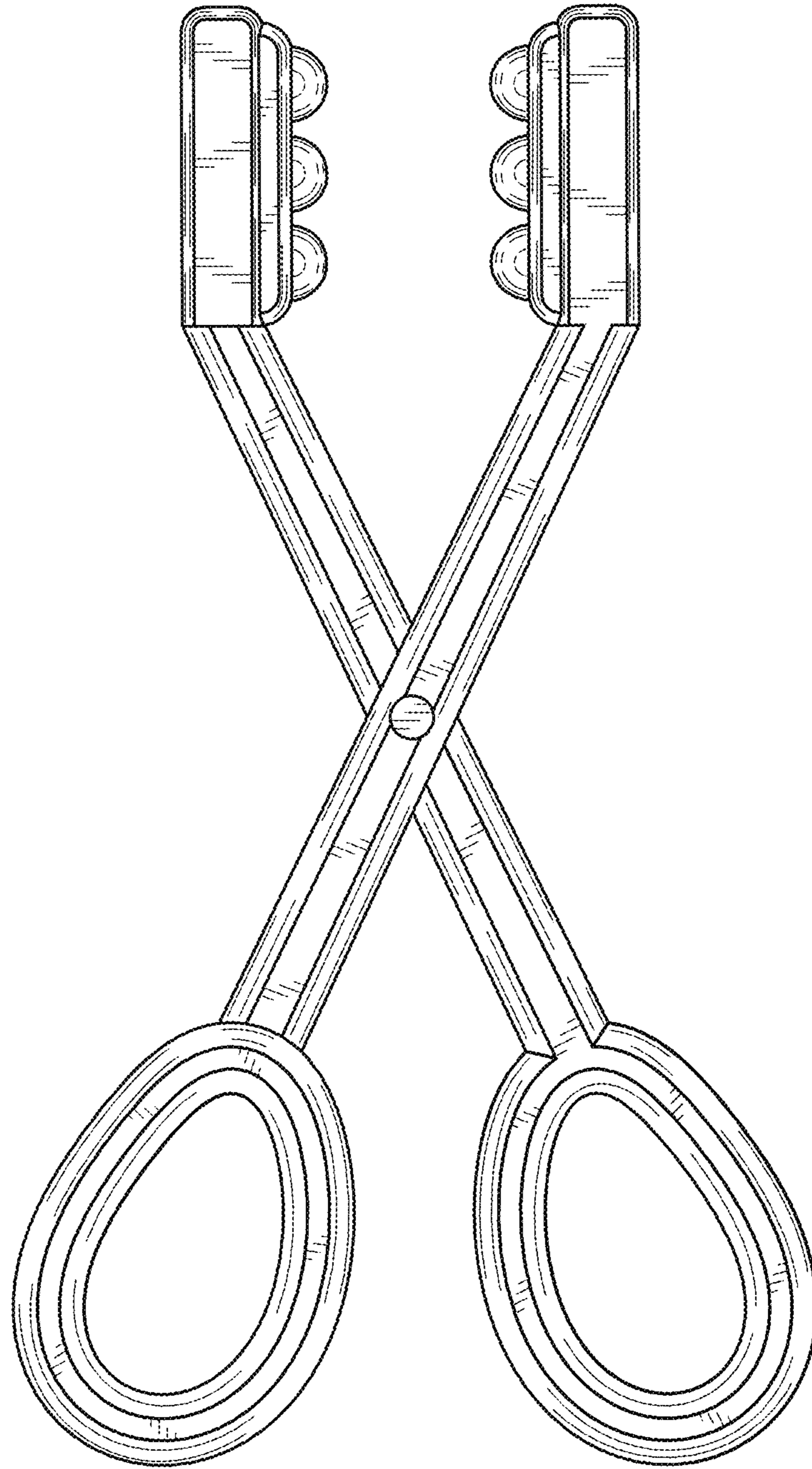


FIG. 2

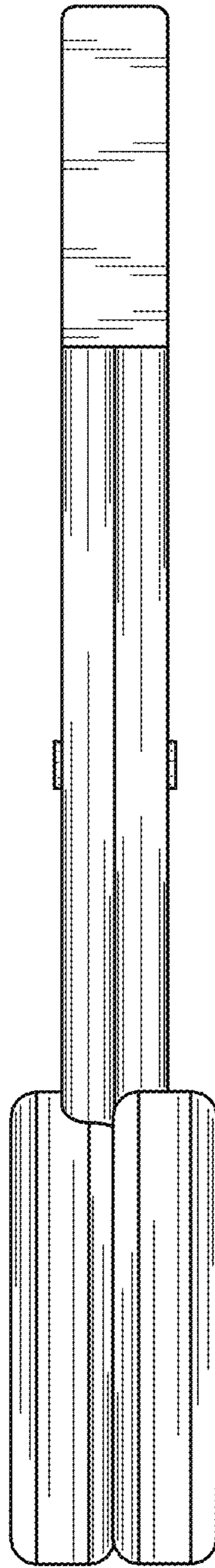


FIG. 3

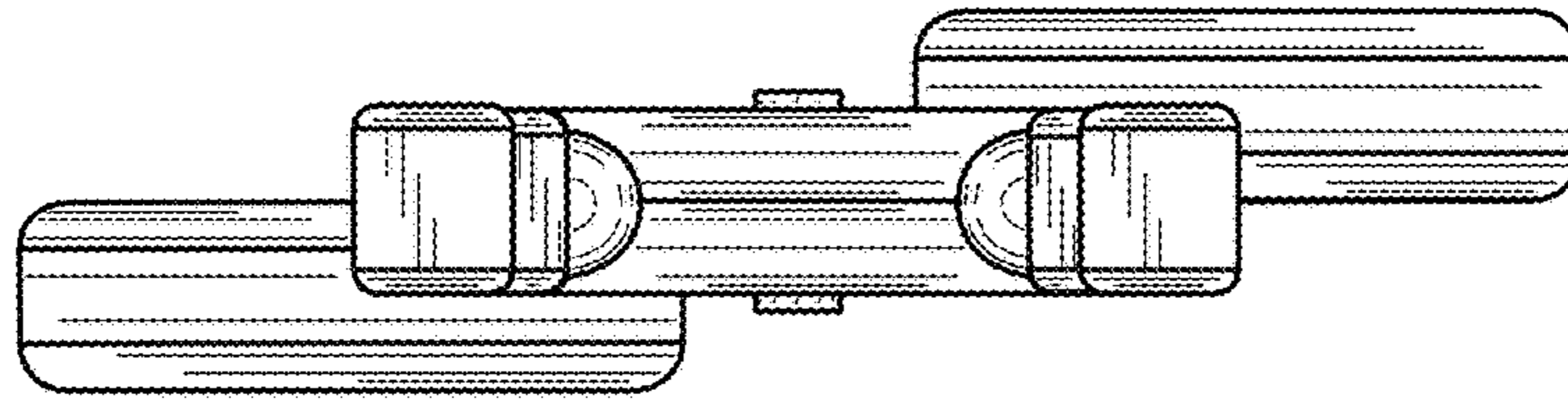


FIG. 4

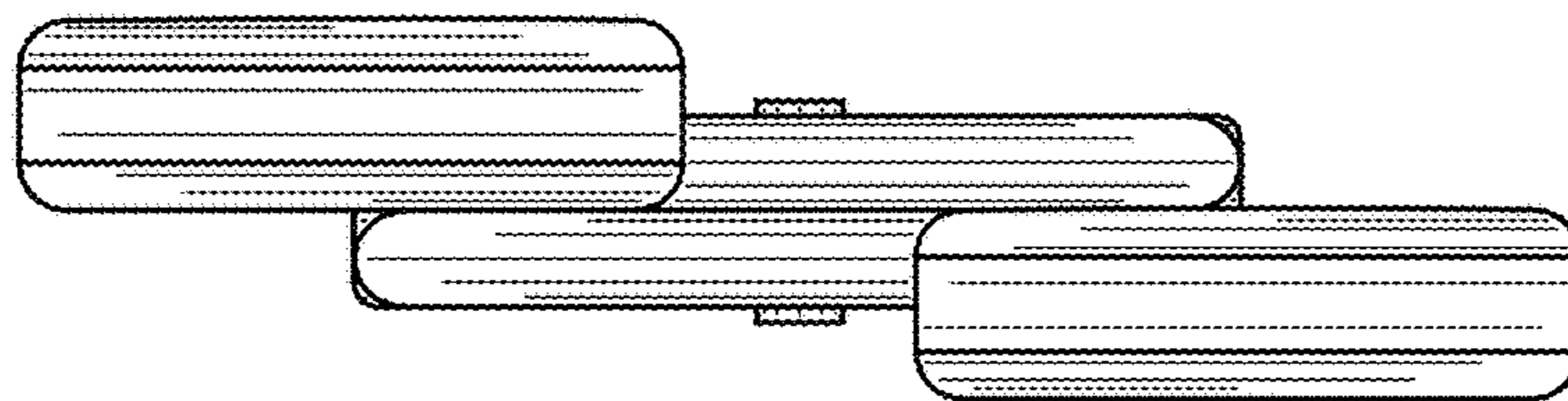


FIG. 5