



US00D844796S

(12) **United States Design Patent** (10) **Patent No.:** **US D844,796 S**
Wise (45) **Date of Patent:** **** Apr. 2, 2019**

(54) **TRIGGER POINT THERAPY DEVICE**
 (71) Applicant: **NEW PELVIC PAIN TECHNOLOGIES INC.**, San Francisco, CA (US)

(72) Inventor: **David Wise**, San Francisco, CA (US)

(73) Assignee: **New Pelvic Pain Technologies Inc.**, San Francisco, CA (US)

(**) Term: **15 Years**

(21) Appl. No.: **29/597,899**

(22) Filed: **Mar. 21, 2017**

(51) **LOC (11) Cl.** **28-03**

(52) **U.S. Cl.**
 USPC **D24/211**

(58) **Field of Classification Search**
 USPC 482/92, 142, 145, 146, 148; 601/5, 18, 601/23, 84, 85, 118, 134; D21/399, 412, D21/443, 671, 686; D24/107, 171, 185, D24/186, 187, 188, 189, 190, 191, 192, D24/200, 206, 211, 231; D30/160
 CPC A61H 15/00; A61H 2015/0014; A61H 2201/1284; A61H 2203/0425
 See application file for complete search history.

(56) **References Cited**

U.S. PATENT DOCUMENTS

2,510,399 A * 6/1950 Harris A61H 15/0092 D24/211
 D176,008 S * 11/1955 Blaker D21/412
 D206,172 S * 11/1966 Nielsen D21/443
 D208,334 S * 8/1967 Gerds D21/443
 3,359,678 A * 12/1967 Headrick A63H 33/18 D21/443
 3,862,768 A * 1/1975 England A63B 21/0004 482/146

4,191,371 A * 3/1980 Armer, Jr. A63B 21/0004 482/146
 D262,805 S * 1/1982 Matsui D21/399
 D268,039 S * 2/1983 Osborne D21/443
 D269,718 S * 7/1983 Tovey D21/443
 D286,182 S * 10/1986 Hilman D24/211
 D317,335 S * 6/1991 Lovik D21/443
 5,256,127 A * 10/1993 Yeh A63B 22/14 482/146
 5,352,188 A 10/1994 Vitko
 D358,654 S * 5/1995 Smith D24/200
 D399,965 S * 10/1998 Laughlin D24/189
 D403,428 S * 12/1998 Russo D24/200
 D403,774 S * 1/1999 Laughlin D24/189
 D405,563 S * 2/1999 Baiera D30/160
 5,913,839 A 6/1999 Wincek
 D412,768 S * 8/1999 Huettner D30/160

(Continued)

Primary Examiner — Cynthia Ramirez

Assistant Examiner — Michael A Maharajh

(74) *Attorney, Agent, or Firm* — Young Basile Hanlon & MacFarlane, P.C.

(57) **CLAIM**

The ornamental design for a trigger point therapy device, as shown and described.

DESCRIPTION

FIG. 1 is a perspective view of a trigger point therapy device.

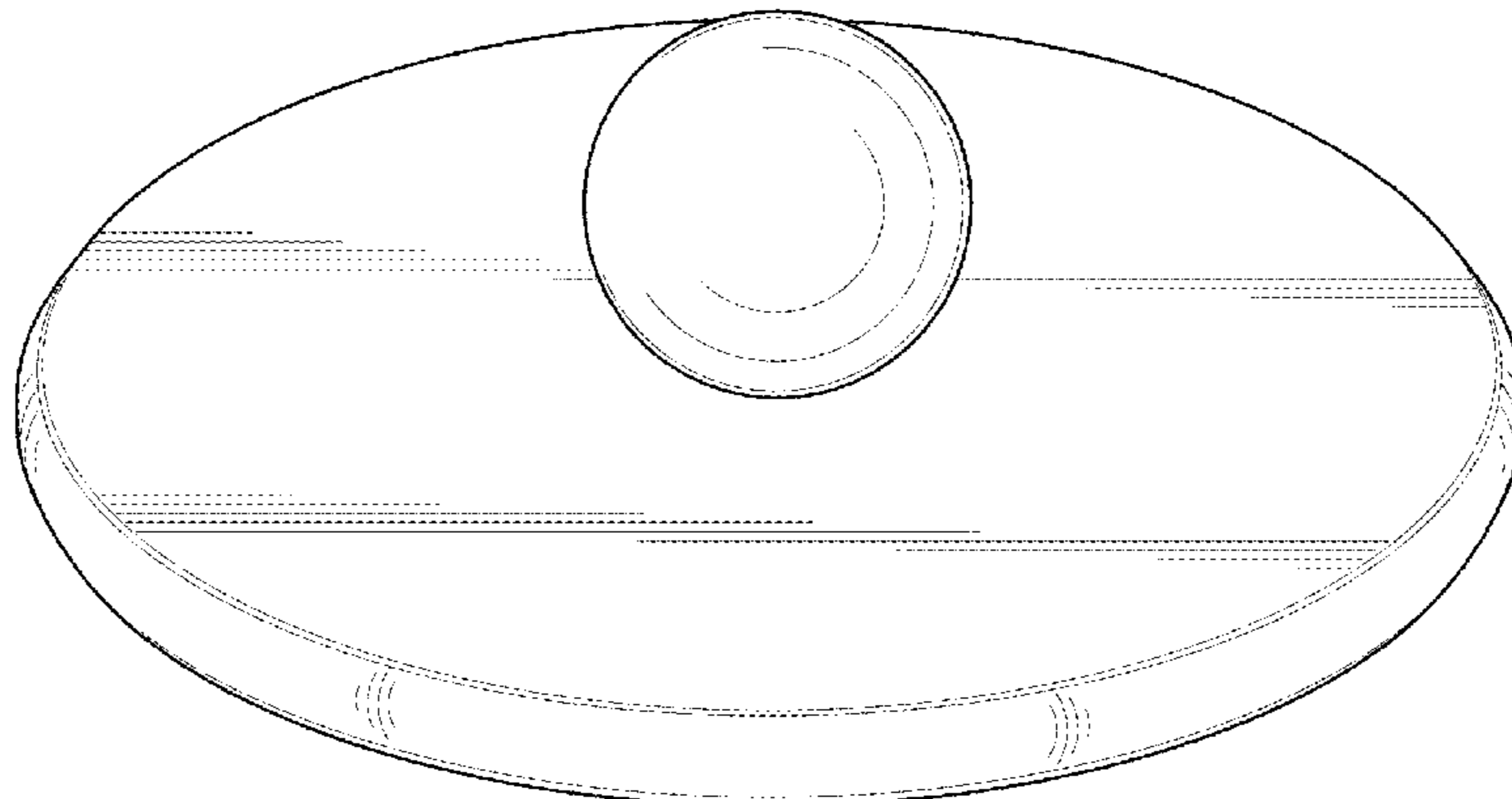
FIG. 2 is a front side view of the trigger point therapy device of FIG. 1, the rear side view, the left side view, and the right side view being the same as the front side view.

FIG. 3 is a top view of the trigger point therapy device of FIG. 1; and,

FIG. 4 is a bottom view of the trigger point therapy device of FIG. 1.

The broken lines in the drawings are for the purposes of illustrating portions of the trigger point therapy device, which form no part of the claimed design.

1 Claim, 3 Drawing Sheets



(56)

References Cited

U.S. PATENT DOCUMENTS

6,093,159 A 7/2000 Racoosin
 6,390,997 B1 5/2002 Vitko
 D480,811 S * 10/2003 Horhota D24/189
 D481,131 S * 10/2003 Saim D24/189
 D536,396 S * 2/2007 Crane D21/444
 7,288,055 B2 * 10/2007 Blaum A63B 22/18
 482/142
 7,458,945 B2 12/2008 Zemont
 7,775,952 B1 * 8/2010 Curran A63B 22/18
 482/146
 D632,396 S * 2/2011 Kasabach D24/186
 D652,181 S * 1/2012 Lee D30/160
 D660,928 S * 5/2012 Guarrasi D21/686
 8,224,464 B2 7/2012 Wise
 8,337,435 B2 12/2012 Wise
 8,597,163 B2 * 12/2013 Chiu A63B 21/015
 482/148

8,632,482 B2 1/2014 Wise
 D701,964 S * 4/2014 Yoneta D24/187
 D709,136 S * 7/2014 Goldman D21/412
 D731,048 S * 6/2015 Winter D24/107
 D754,358 S * 4/2016 Krullaards D24/188
 D758,595 S * 6/2016 Zhao D24/187
 D759,257 S * 6/2016 Chen D24/200
 D776,285 S * 1/2017 Dinger D24/186
 D810,952 S * 2/2018 Hsu D24/200
 D812,320 S * 3/2018 Stone D30/160
 D819,824 S * 6/2018 Moehlenbrock D24/211
 D822,221 S * 7/2018 Huth D24/211
 2009/0210027 A1 8/2009 Wise
 2011/0071446 A1 3/2011 Citrin
 2012/0059405 A1 3/2012 Reynolds et al.
 2012/0253379 A1 10/2012 Wise
 2013/0116600 A1 5/2013 Wise
 2017/0273850 A1 * 9/2017 Wise A61H 7/001

* cited by examiner

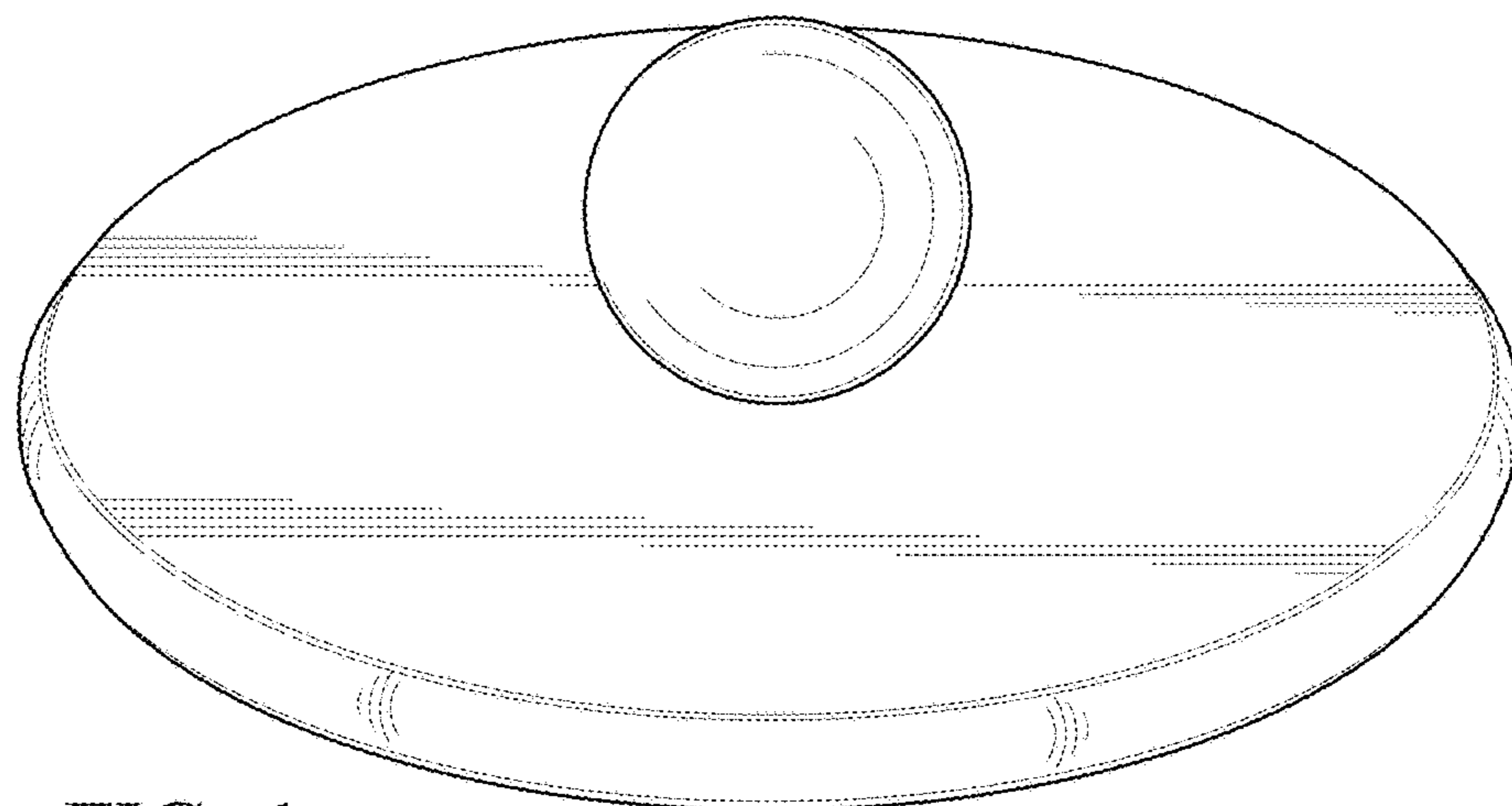


FIG. 1

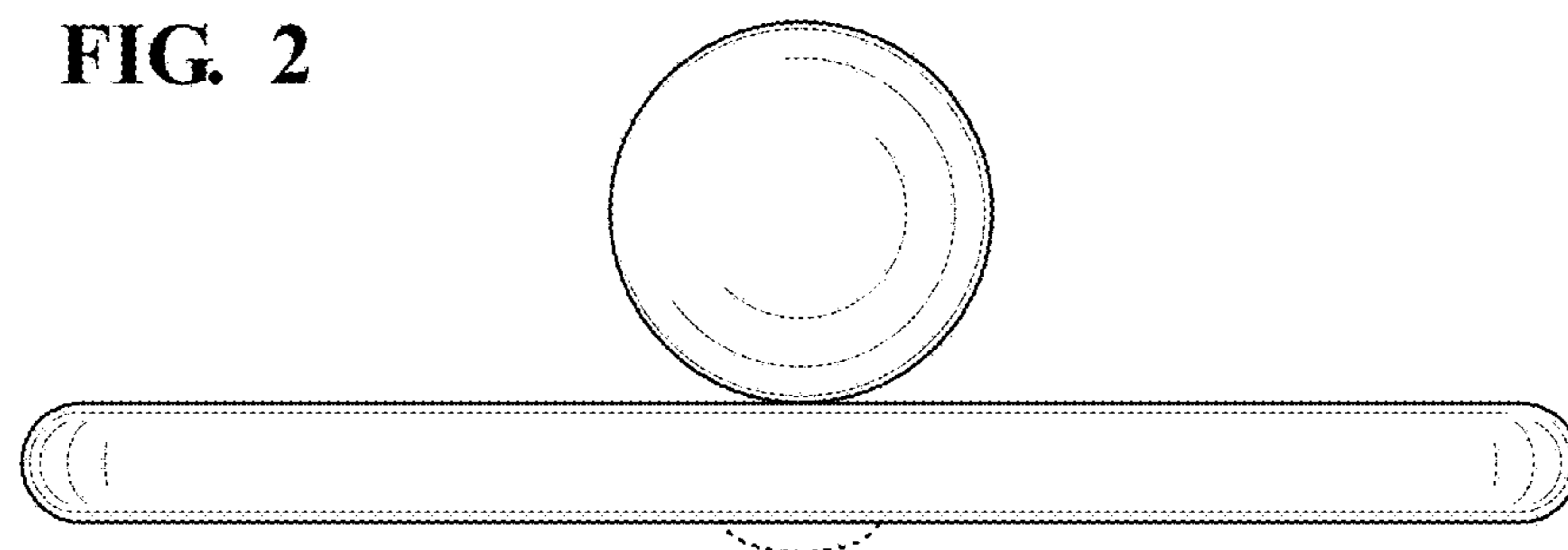


FIG. 2

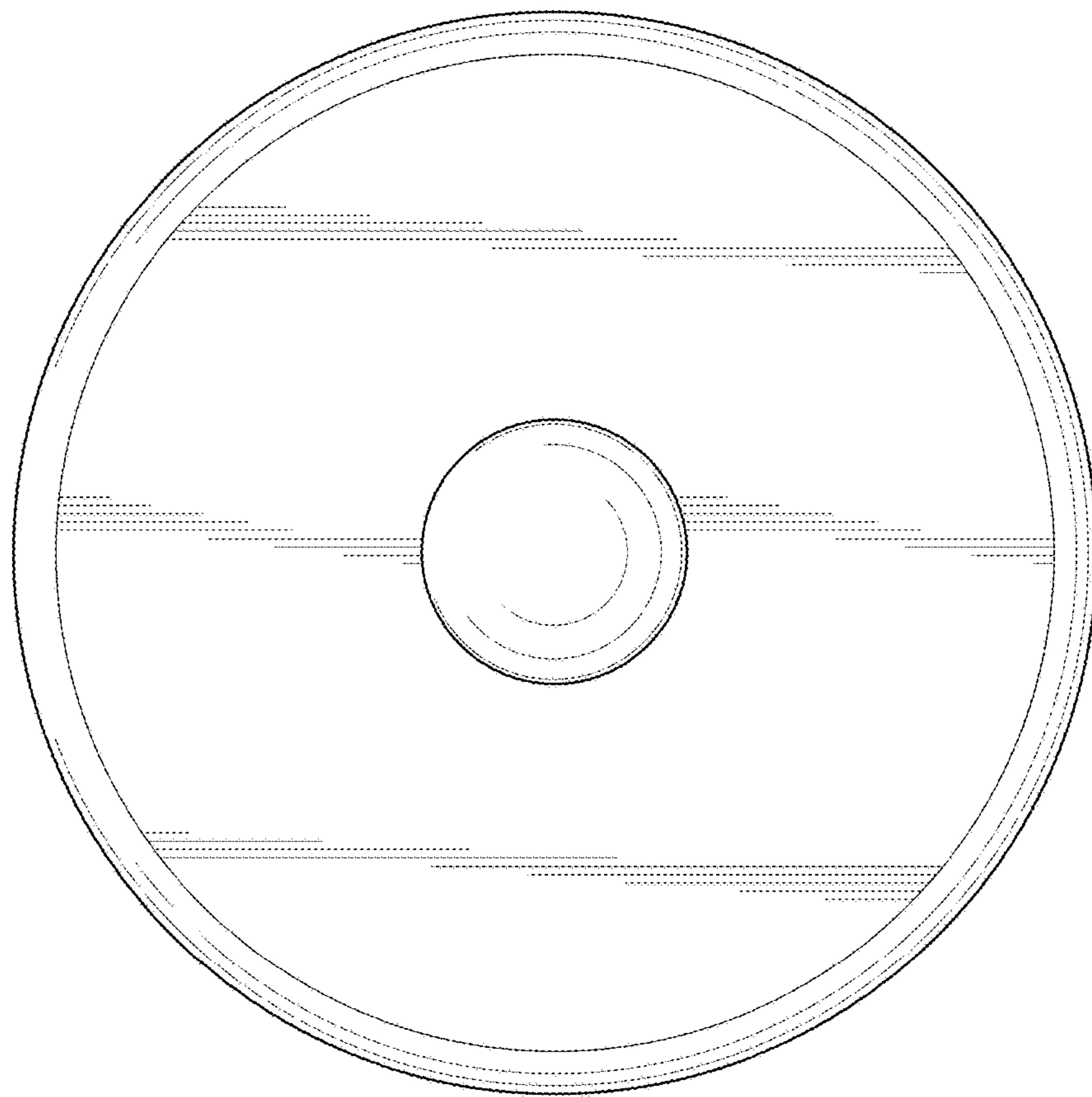


FIG. 3

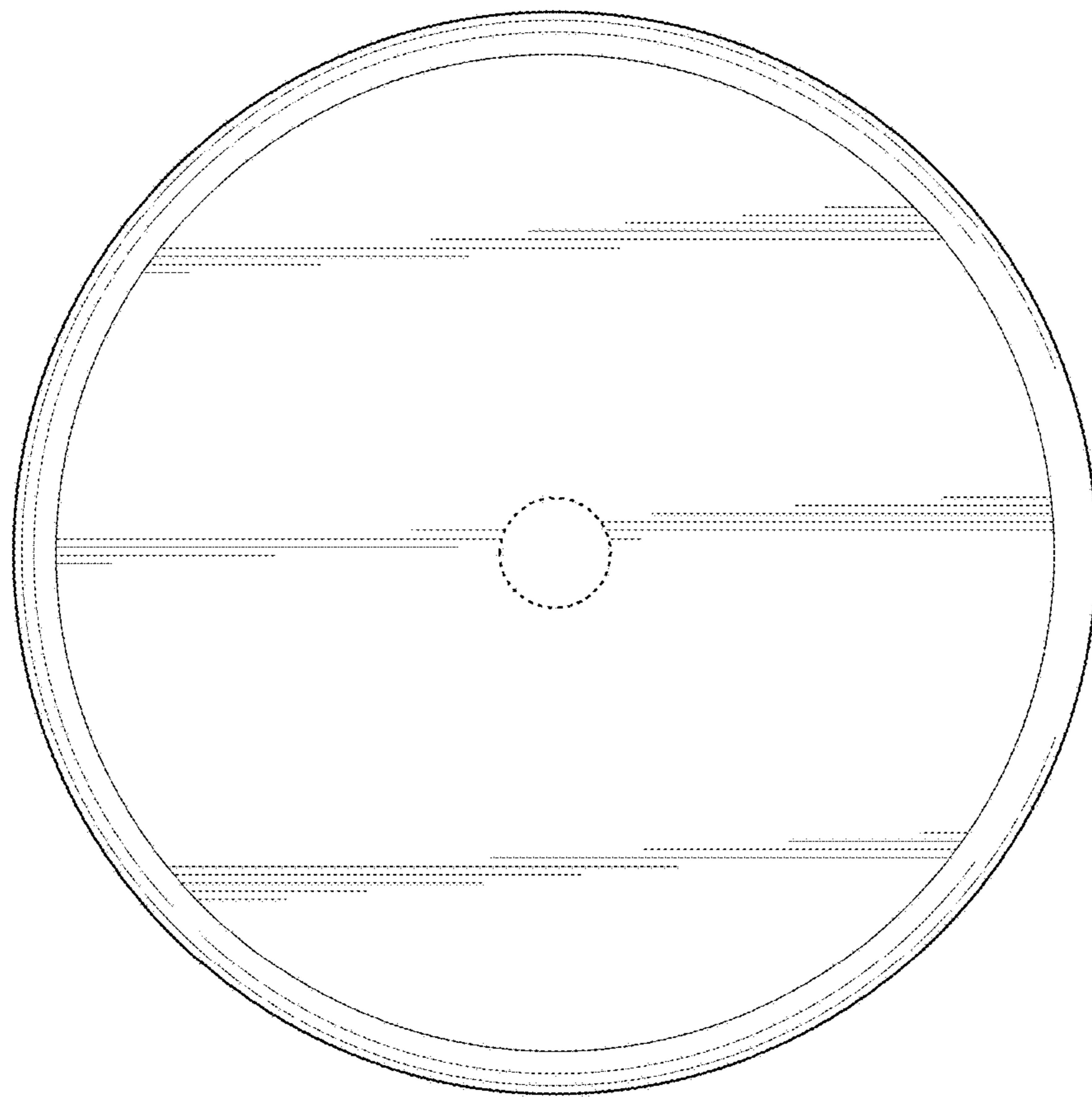


FIG. 4