

US00D844793S

(12) **United States Design Patent** (10) **Patent No.:** **US D844,793 S**  
**Dai** (45) **Date of Patent:** **\*\* Apr. 2, 2019**

(54) **NASAL PHOTOPLETHYSMOGRAPHY SENSOR HOUSING**

(71) Applicant: **Xhale Assurance, Inc.**, Gainesville, FL (US)

(72) Inventor: **Jianli Dai**, Shenzhen (CN)

(73) Assignee: **XHALE ASSURANCE, INC.**, Gainesville, FL (US)

(\*\*) Term: **15 Years**

(21) Appl. No.: **29/604,811**

(22) Filed: **May 19, 2017**

(51) **LOC (11) Cl.** ..... **24-01**

(52) **U.S. Cl.**  
USPC ..... **D24/186**

(58) **Field of Classification Search**  
 USPC ..... D24/164-169, 186, 187, 107, 216, 106;  
 D10/30-32, 75, 70, 98, 103; D14/344,  
 D14/138 R, 138 AA  
 CPC .... A61B 2560/0412; A61B 2560/0443; A61B  
 2560/0462; A61B 5/6801; A61B 5/6802;  
 A61B 5/6804; A61B 5/6815; A61B  
 5/6816; A61B 5/6817; A61B 5/6819;  
 A61B 5/02416; A61B 5/14552

See application file for complete search history.

(56) **References Cited**

U.S. PATENT DOCUMENTS

D522,650 S *	6/2006	Clawson	.....	D24/106
D748,274 S *	1/2016	Rich	.....	D24/164
D802,152 S *	11/2017	Wakefield	.....	D24/187
2014/0005557 A1 *	1/2014	Rich	.....	A61B 5/6819 600/479
2017/0251974 A1 *	9/2017	Shreim	.....	A61B 5/6819
2017/0332966 A1 *	11/2017	Jacobs	.....	A61B 5/6819

\* cited by examiner

*Primary Examiner* — Anhdao Doan

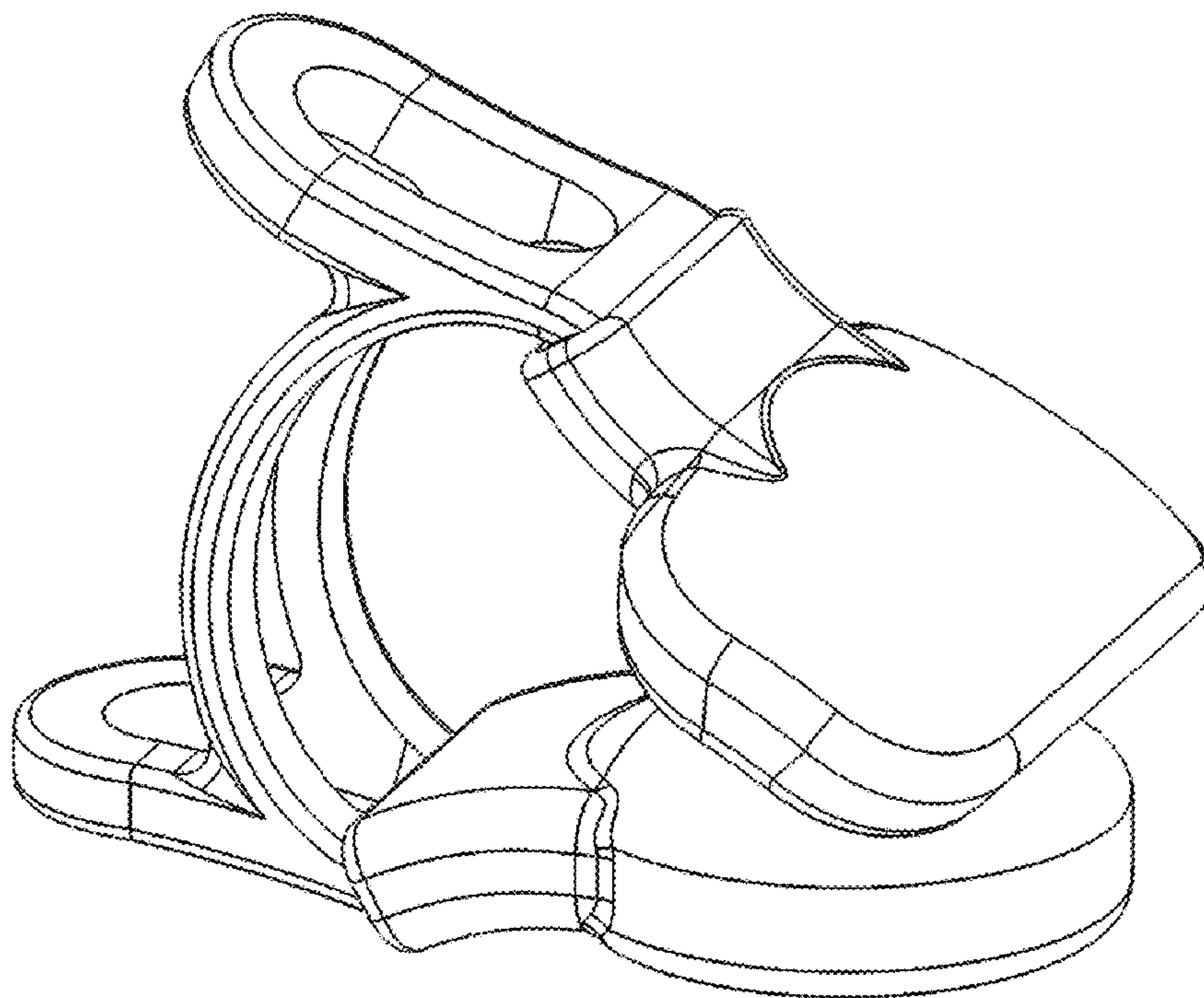
(57) **CLAIM**

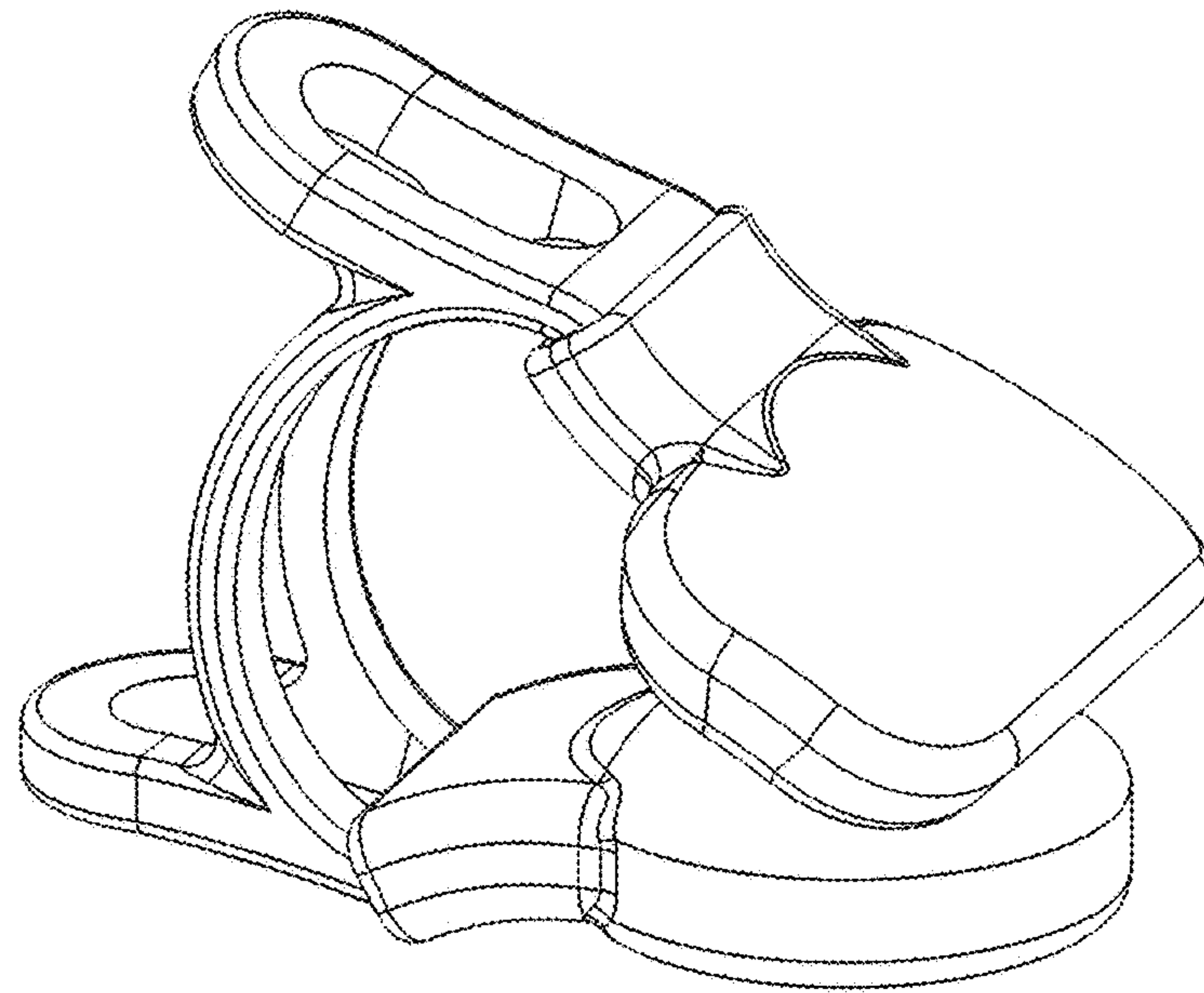
The ornamental design for a nasal photoplethysmography sensor housing, as shown.

**DESCRIPTION**

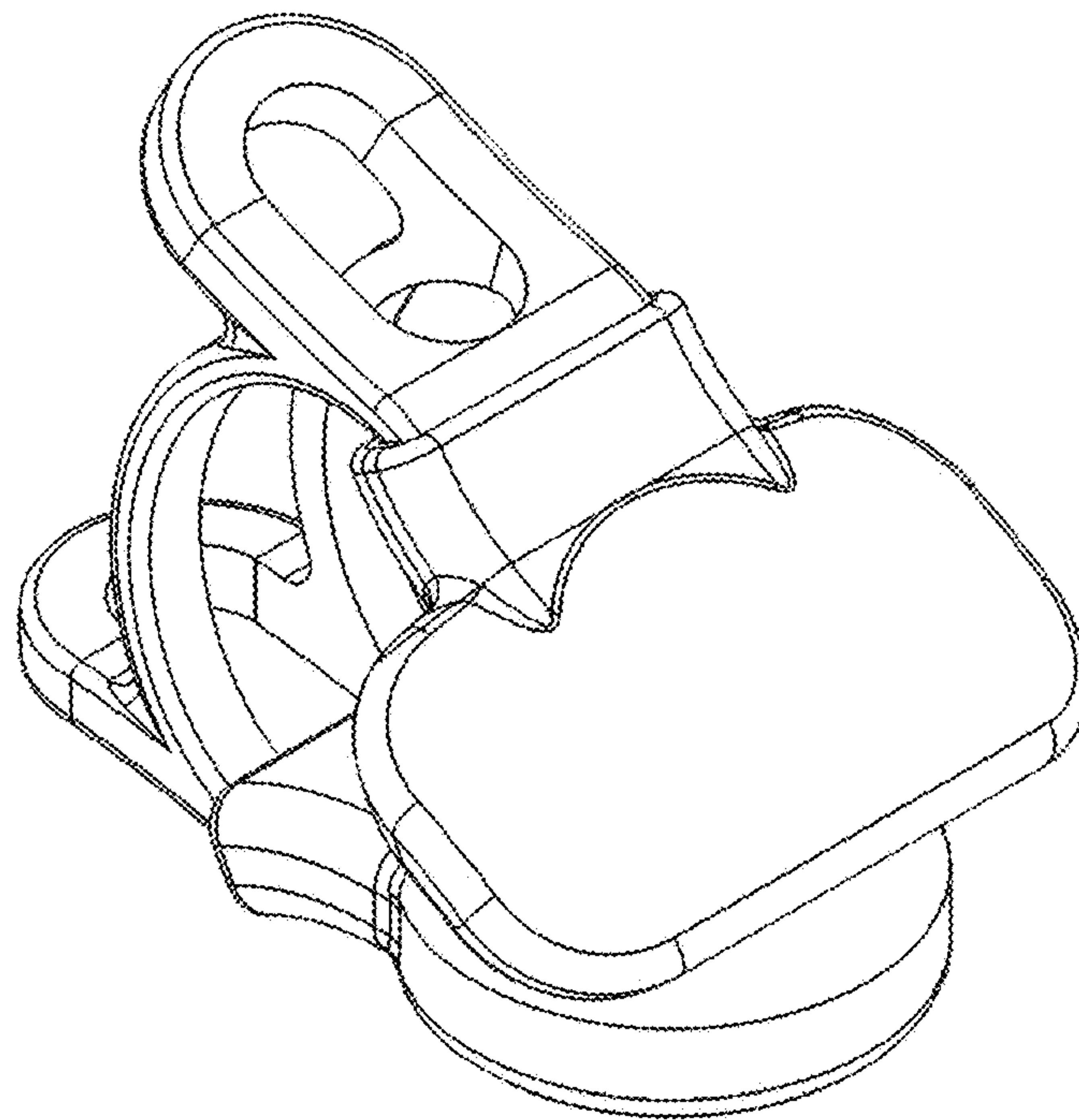
FIG. 1 is a right side perspective view of a nasal photoplethysmography sensor housing showing our design;  
 FIG. 2 is another right side perspective view thereof;  
 FIG. 3 is a left side perspective view thereof;  
 FIG. 4 is another right side view thereof; and,  
 FIG. 5 is front view thereof.

**1 Claim, 5 Drawing Sheets**

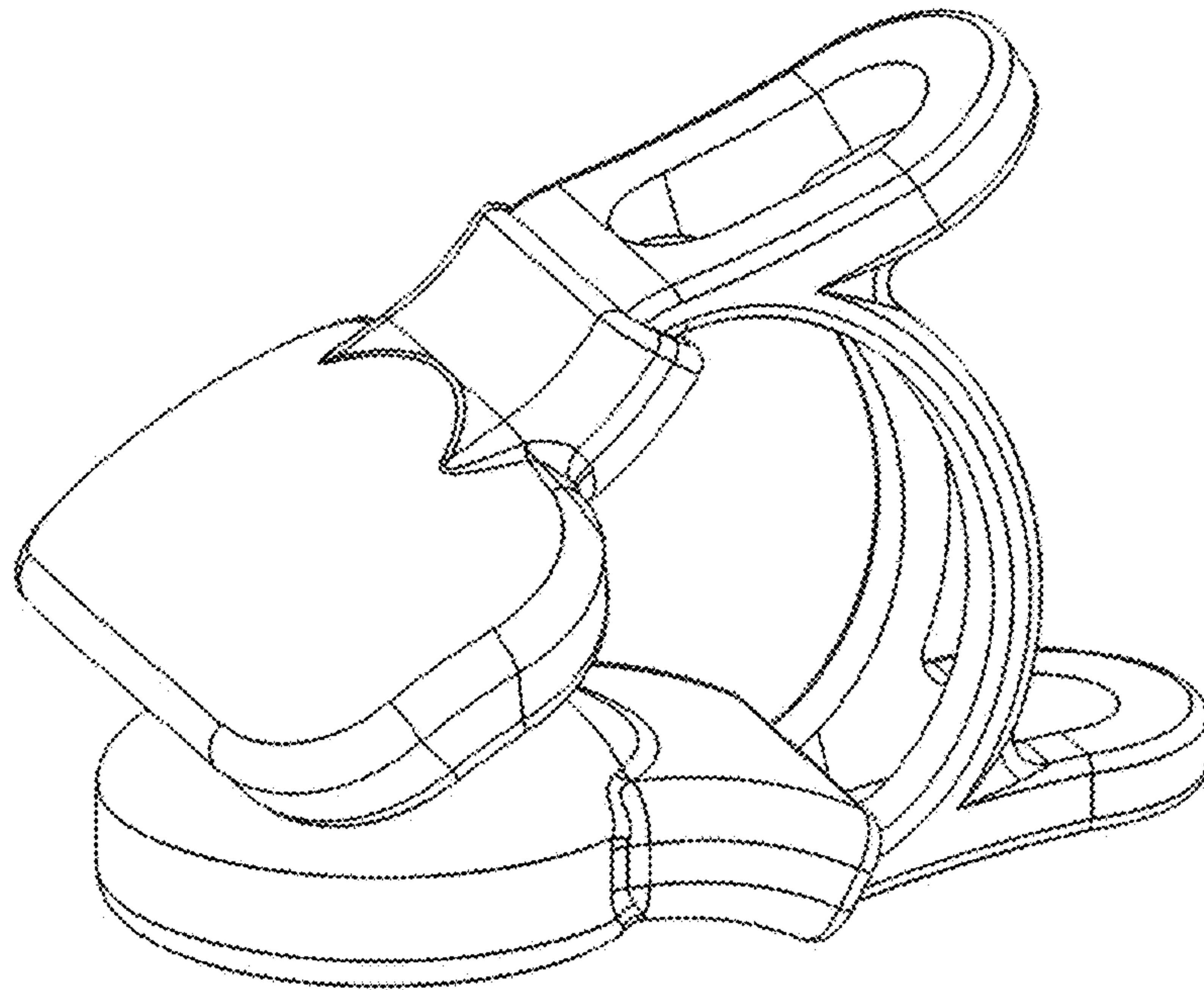




**FIGURE 1**



**FIGURE 2**



**FIGURE 3**

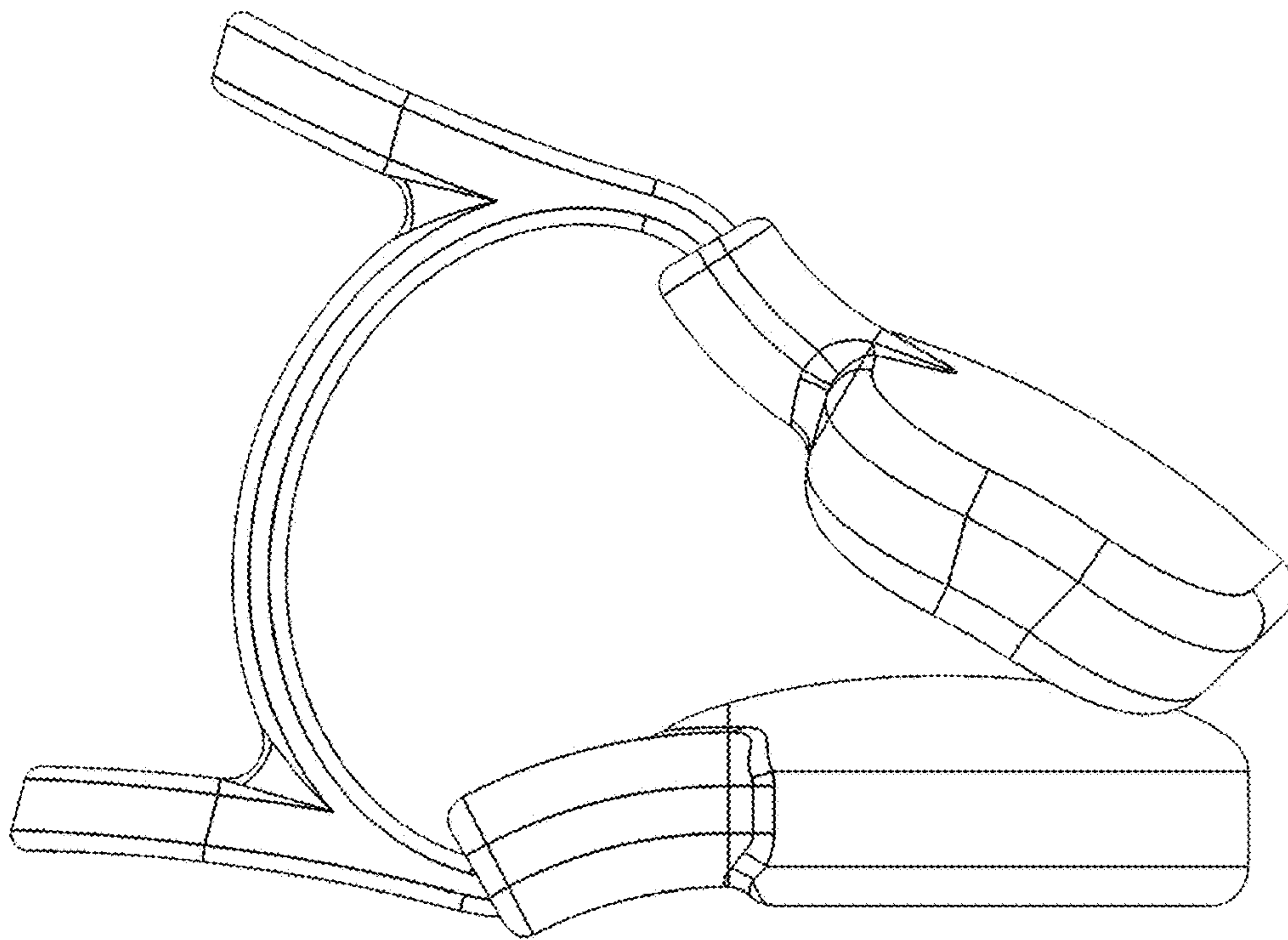
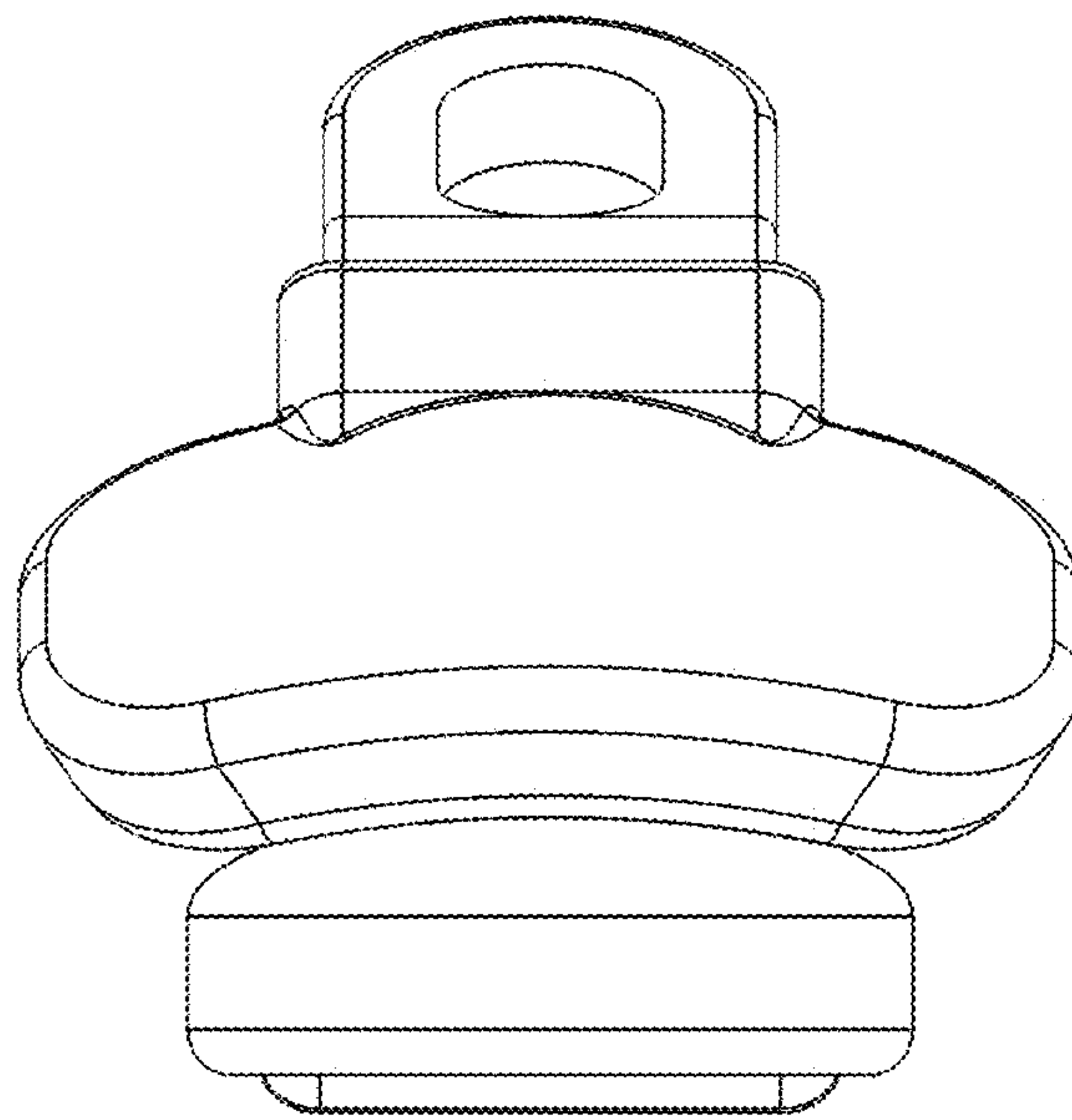


FIGURE 4



**FIGURE 5**