



US00D844790S

(12) **United States Design Patent**  
**Blackwell et al.**

(10) **Patent No.:** **US D844,790 S**

(45) **Date of Patent:** **\*\* Apr. 2, 2019**

(54) **EXTENSION FOR SURGICAL PATIENT POSITIONER**

(71) Applicant: **Innovative Medical Products, Inc.**, Plainville, CT (US)

(72) Inventors: **Tim Blackwell**, Jupiter, FL (US); **Tamas Kovacs**, Bristol, CT (US)

(73) Assignee: **INNOVATIVE MEDICAL PRODUCTS, INC.**, Plainville, CT (US)

(\*\*) Term: **15 Years**

(21) Appl. No.: **29/557,757**

(22) Filed: **Mar. 11, 2016**

(51) **LOC (11) Cl.** ..... **24-02**

(52) **U.S. Cl.**  
USPC ..... **D24/184**

(58) **Field of Classification Search**  
USPC ..... D24/183, 184; D6/360  
CPC ..... A47C 7/50; A47C 7/503; A47C 7/506;  
A47C 7/52; A61F 5/04; A61F 5/042;  
A61G 13/0009; A61G 13/0036; A61G 13/0045; A61G 13/0054; A61G 13/0063;  
A61G 13/0081; A61G 13/10; A61G 13/101; A61G 13/12; A61G 13/1205;  
A61G 13/123; A61G 13/1235; A61G 13/1245; A61G 13/125; A61G 13/1255;  
A61G 13/129; A61G 7/065; A61G 7/0755  
See application file for complete search history.

(56) **References Cited**

U.S. PATENT DOCUMENTS

- 1,400,625 A \* 12/1921 Rawlinson ..... A47C 7/52  
297/423.32
- 4,527,555 A \* 7/1985 Ruf ..... A61B 6/505  
5/600
- 4,827,541 A \* 5/1989 Vollman ..... A61G 7/065  
5/600

- 5,462,551 A \* 10/1995 Bailey ..... A61G 13/12  
606/88
- 6,108,841 A \* 8/2000 Cameron ..... A61G 13/0009  
5/624
- 6,810,544 B1 \* 11/2004 Smith ..... A47C 7/50  
297/423.28
- 6,820,621 B2 \* 11/2004 DeMayo ..... A61G 13/12  
128/845
- D561,341 S \* 2/2008 Riley ..... D24/184
- 7,415,741 B1 \* 8/2008 Wesley ..... A61G 13/12  
5/621
- 7,520,008 B2 \* 4/2009 Wong ..... A61G 13/10  
5/621

(Continued)

*Primary Examiner* — Ian Simmons  
*Assistant Examiner* — Samantha Q Lawrence  
(74) *Attorney, Agent, or Firm* — Damian Wasserbauer, Esq.; Wasserbauer Law LLC

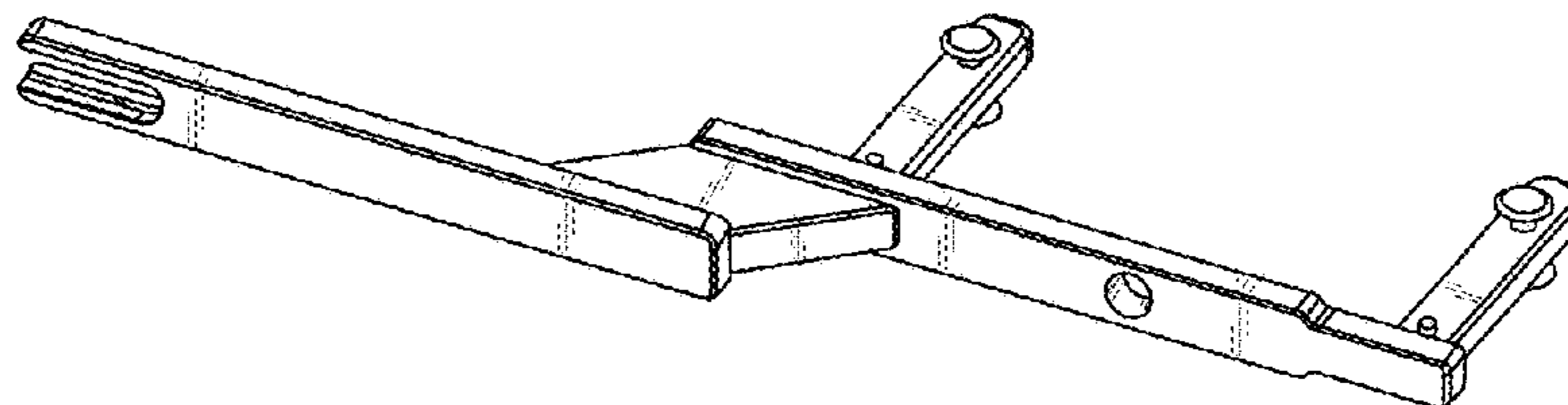
(57) **CLAIM**

The ornamental design for an extension for surgical patient positioner, as shown and described.

**DESCRIPTION**

FIG. 1 is a top perspective view of an extension for surgical patient positioner showing our new design;  
FIG. 2 is a bottom perspective view thereof;  
FIG. 3 is a top view thereof;  
FIG. 4 is a bottom view thereof;  
FIG. 5 is a front view thereof;  
FIG. 6 is a back view thereof;  
FIG. 7 is a left side view thereof;  
FIG. 8 is a right side view thereof;  
FIG. 9 is a bottom perspective view with unclaimed environmental subject matter; and,  
FIG. 10 is a bottom perspective view with unclaimed environmental subject matter.  
The broken lines shown in FIGS. 9 and 10 illustrate environment and form no part of the claimed design.

**1 Claim, 10 Drawing Sheets**



(56)

**References Cited**

U.S. PATENT DOCUMENTS

8,083,408 B2 \* 12/2011 Moyers ..... A61B 6/0407  
378/205  
D655,418 S \* 3/2012 Hancock ..... D24/183  
8,448,274 B2 \* 5/2013 Broens ..... A61G 13/12  
5/624  
8,523,282 B2 \* 9/2013 Wu ..... A47C 7/506  
297/423.3  
8,657,830 B2 \* 2/2014 Sarin ..... A61B 5/103  
600/426  
9,408,769 B2 \* 8/2016 Koch ..... A61G 13/1245  
2010/0071128 A1 \* 3/2010 Campagna ..... A61B 6/0421  
5/81.1 R  
2011/0023893 A1 \* 2/2011 Striggow ..... A61G 13/12  
128/882  
2015/0196447 A1 \* 7/2015 Henderson ..... A61G 13/125  
5/624  
2016/0151223 A1 \* 6/2016 Ferro ..... A61G 13/1245  
128/845  
2016/0151224 A1 \* 6/2016 Ferro ..... A61G 13/101  
128/845  
2017/0252249 A1 \* 9/2017 Cole ..... A61G 13/129

\* cited by examiner

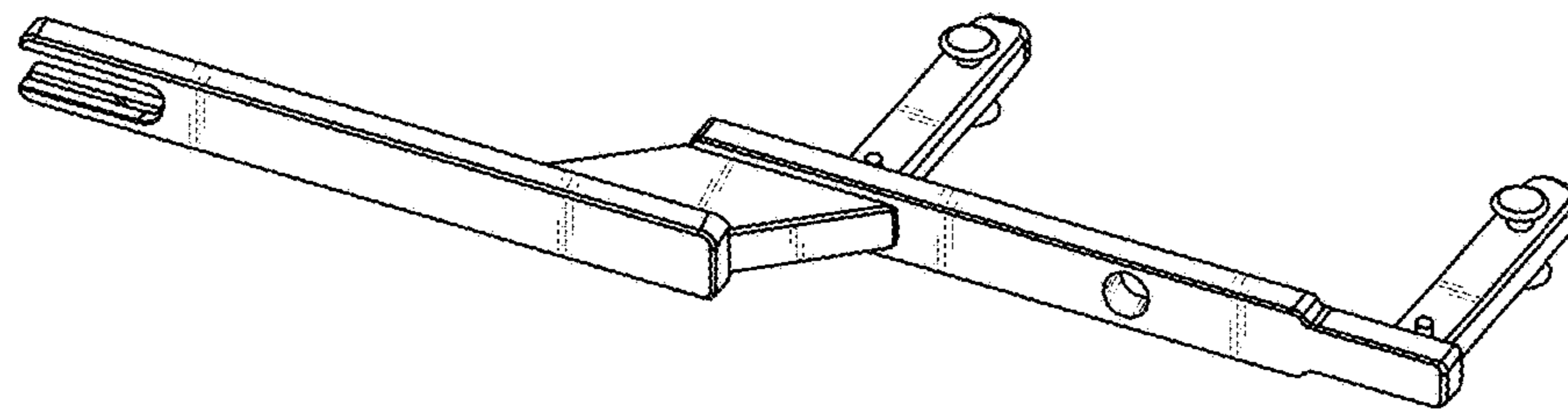


FIG. 1

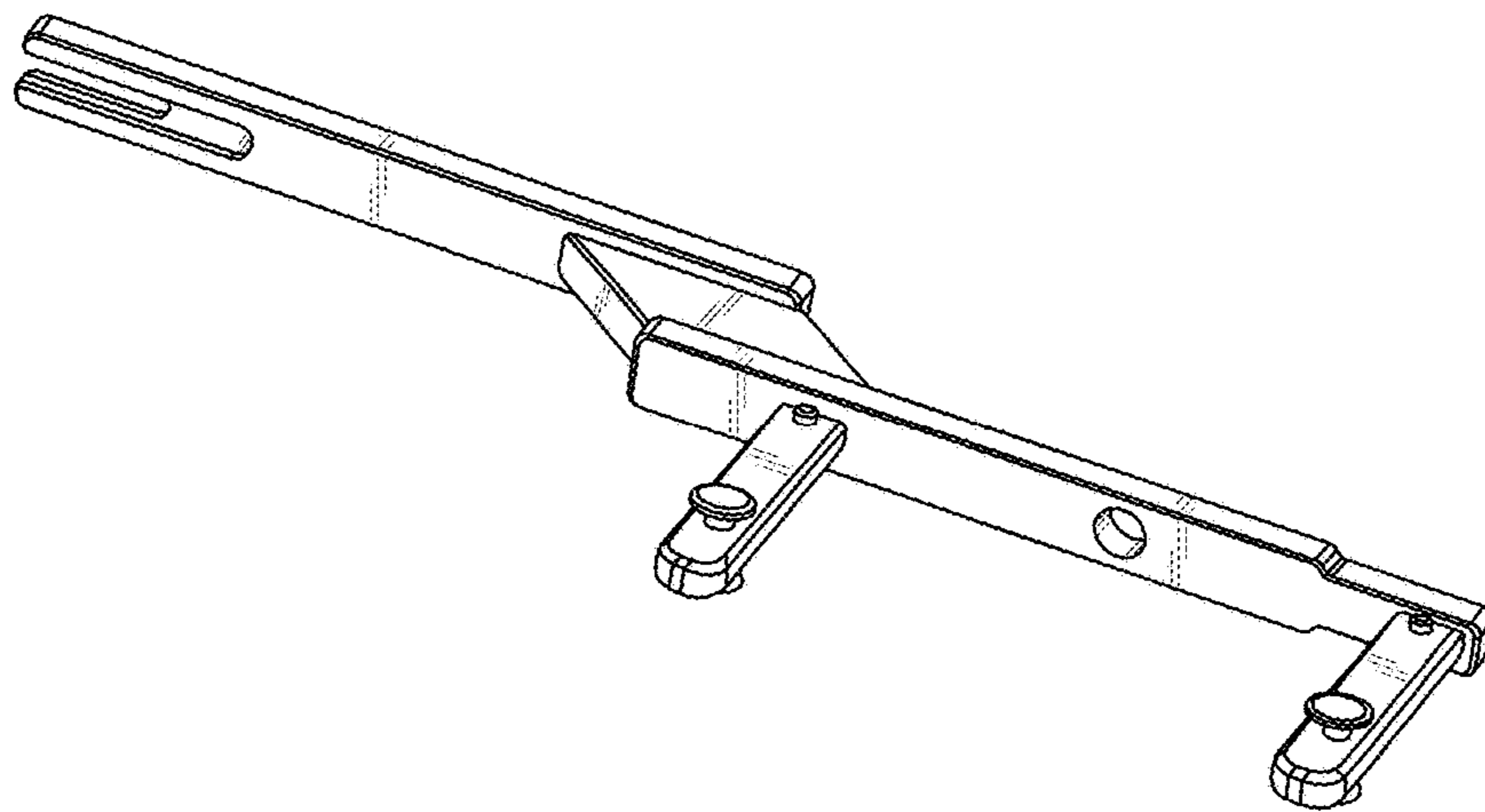


FIG. 2

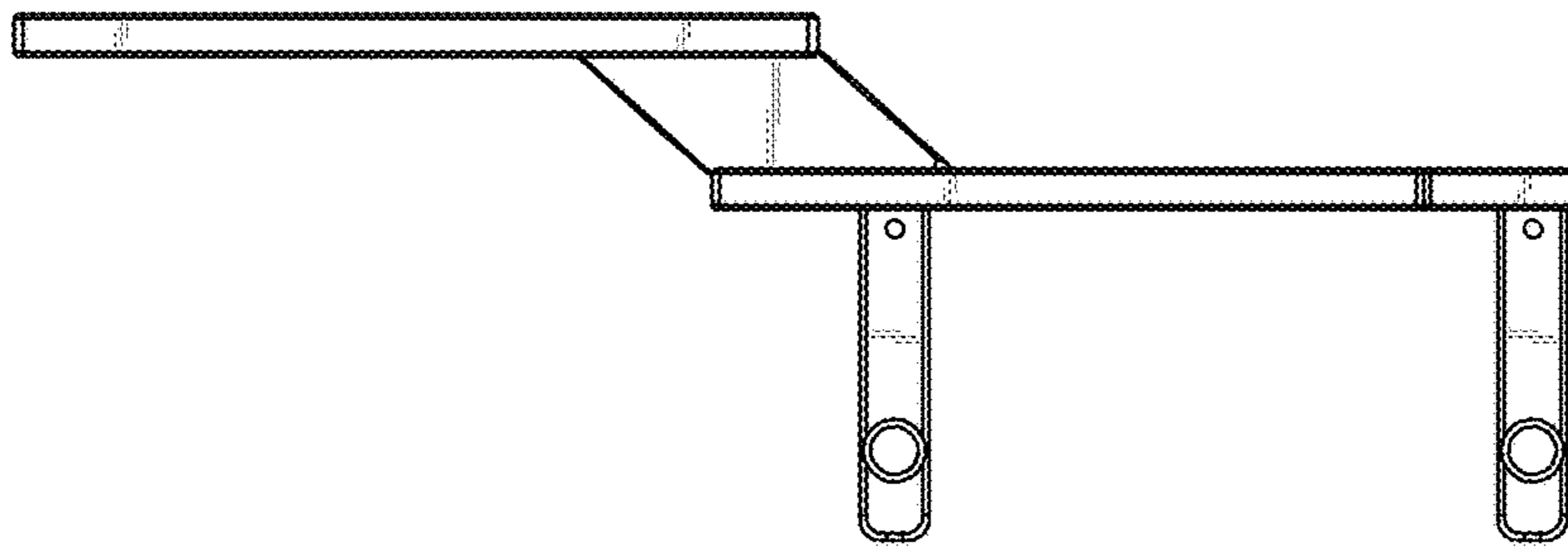


FIG. 3

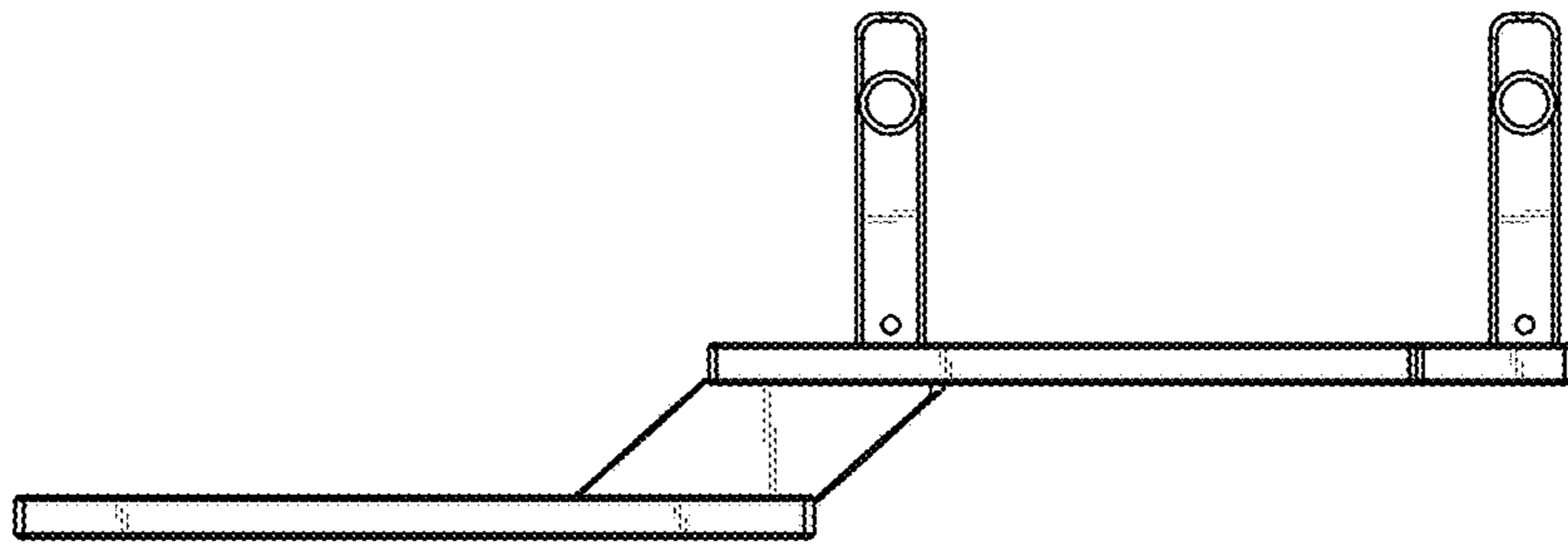


FIG. 4

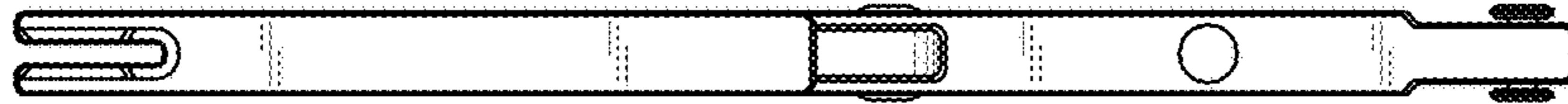


FIG. 5

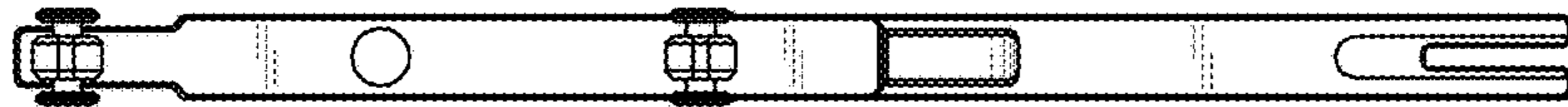


FIG. 6



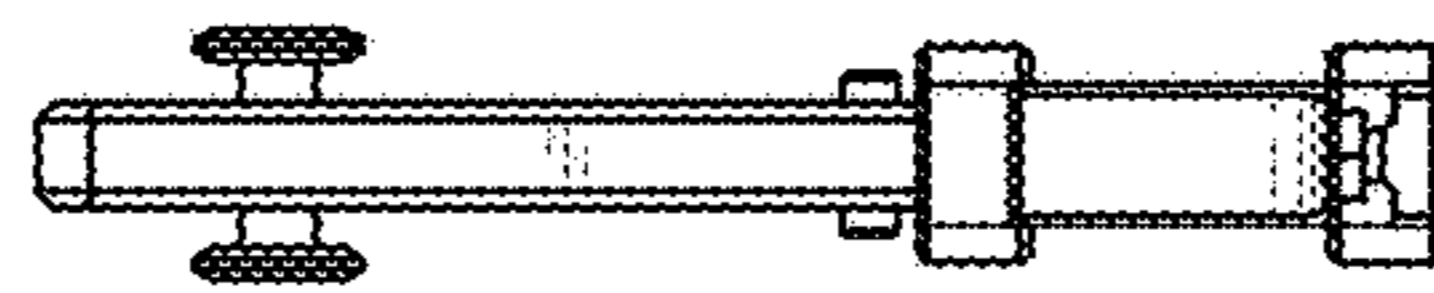


FIG. 7

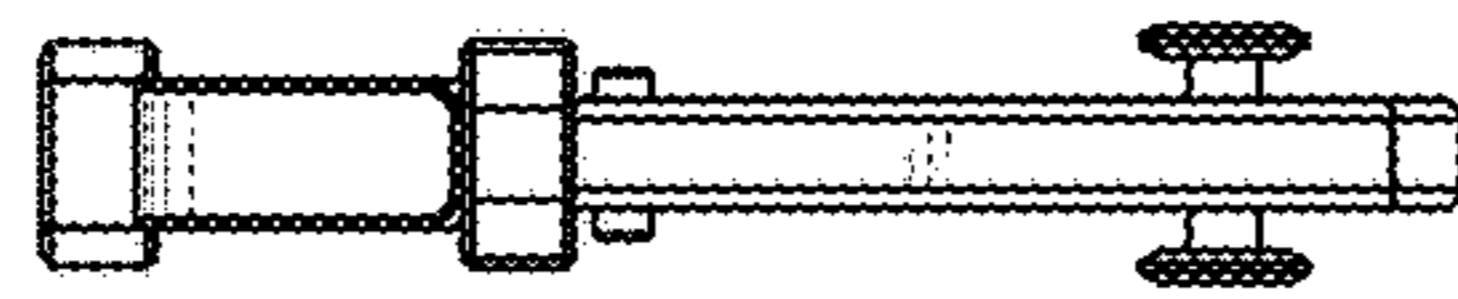


FIG. 8

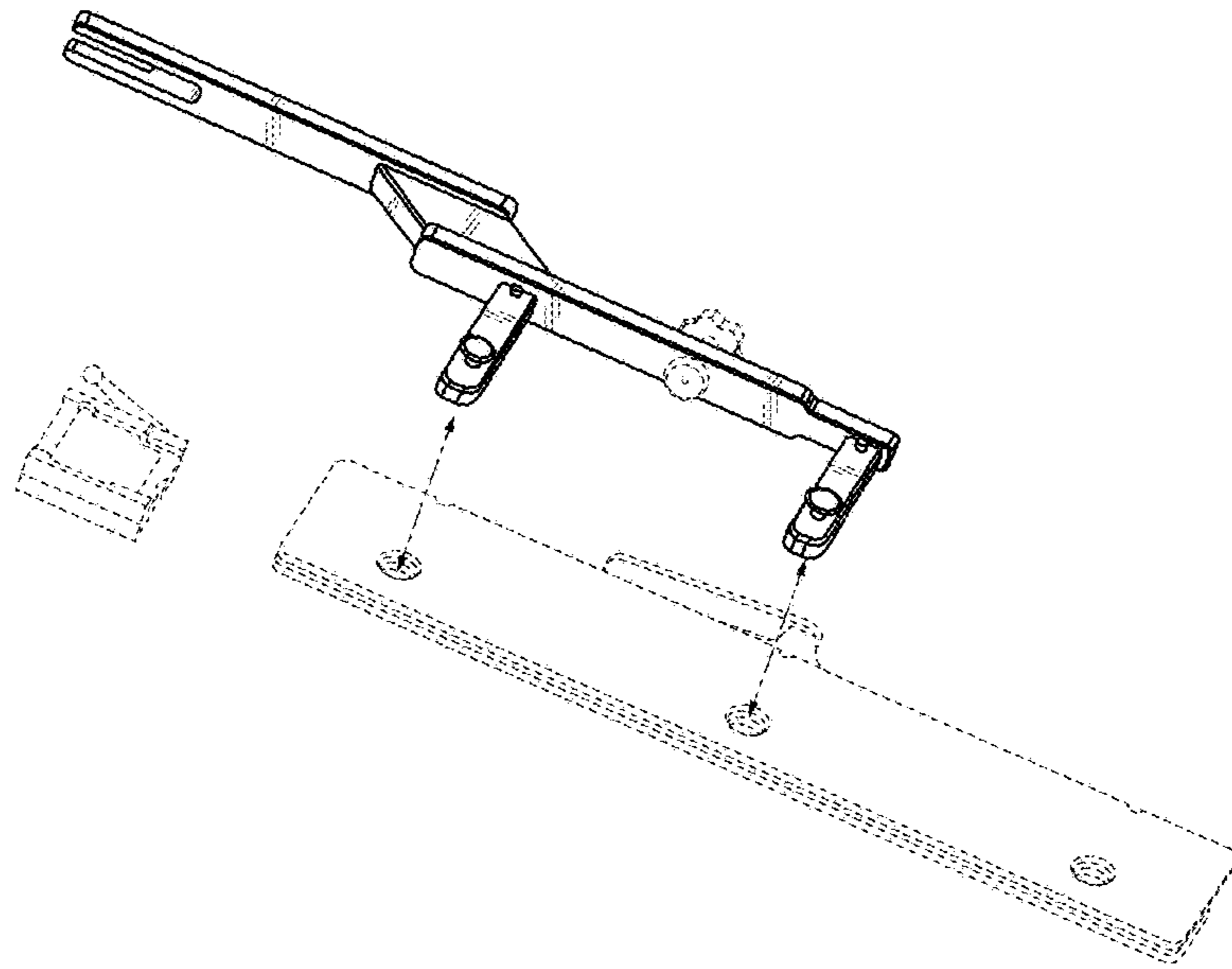


FIG. 9

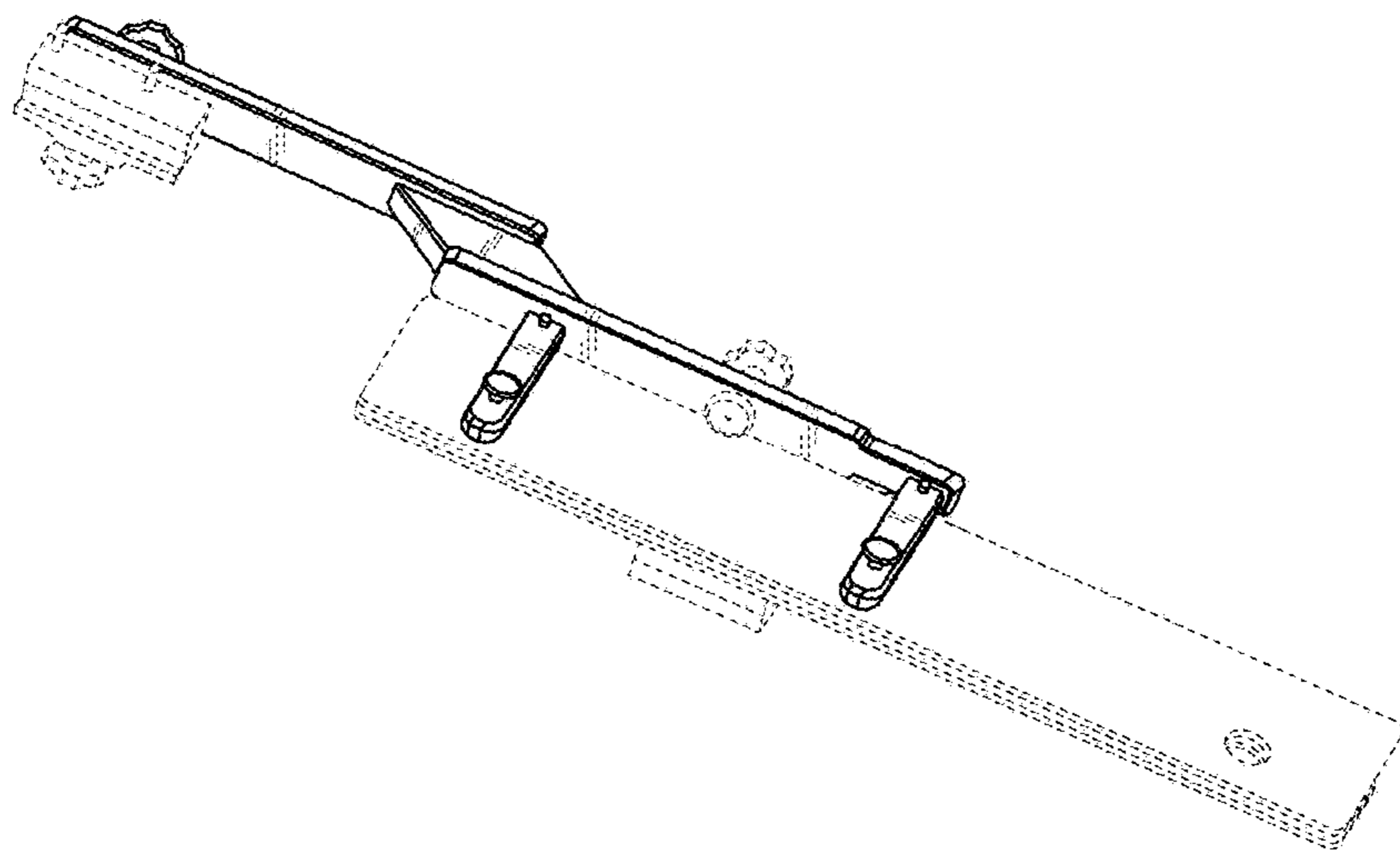


FIG. 10