



US00D844789S

(12) **United States Design Patent**
Hetz et al.

(10) **Patent No.:** **US D844,789 S**

(45) **Date of Patent:** **** Apr. 2, 2019**

(54) **PATIENT TABLE WITH CONTROL PANEL**

(71) Applicant: **Siemens Healthcare GmbH**, Erlangen (DE)

(72) Inventors: **Christian Hetz**, Pretzfeld (DE);
Ludwig Kreischer, Dormitz (DE)

(73) Assignee: **Siemens Healthcare GmbH**, Erlangen (DE)

(**) Term: **15 Years**

(21) Appl. No.: **29/582,567**

(22) Filed: **Oct. 28, 2016**

(30) **Foreign Application Priority Data**

Apr. 29, 2016 (EM) 003101013

(51) **LOC (11) Cl.** **24-02**

(52) **U.S. Cl.**
USPC **D24/183**

(58) **Field of Classification Search**
USPC D24/183-184, 158-159; D6/367, 601
CPC A61B 5/05; A61B 5/055; A61B 5/0555;
A61B 6/032; A61B 6/035; A61B 6/037;
A61B 6/04; A61B 6/0407; A61B 6/0414;
A61B 6/0421; A61B 6/0442; A61B
6/0457; A61B 6/0464; A61B 6/102; A61B
6/12; A61B 6/14; A61B 6/4258; A61B
6/4417; A61B 6/4476; A61B 6/4494;
A61B 6/487; A61B 6/501; A61B 6/502;
A61B 6/5241; A61B 6/5264; A61B
6/5276; A61B 6/547; A61G 12/00; A61G
12/002; A61G 13/00; A61G 13/0009;
A61G 13/0018; A61G 13/0036; A61G
13/0045; A61G 13/0054; A61G 13/0063;
A61G 13/0072; A61G 13/009; A61G
13/02; A61G 13/04; A61G 13/06; A61G
13/08; A61G 13/10; A61G 13/101; A61G
13/104; A61G 13/105; A61G 13/12;
A61G 13/1205; A61G 13/121; A61G
13/122; A61G 13/123; A61G 13/1235;

A61G 13/1245; A61G 13/125; A61G
13/127; A61G 13/129; A61G 13/1295;
A61G 15/00; A61G 15/005; A61G
15/007; A61G 15/02; A61G 15/10; A61G
15/125; A61G 15/16; A61G 15/18; A61G
5/00; A61G 5/006; A61G 5/0833; A61G
5/1005;

(Continued)

(56) **References Cited**

U.S. PATENT DOCUMENTS

2,801,142 A * 7/1957 Adams A61G 13/12
5/623
3,868,103 A * 2/1975 Pageot A61G 13/02
137/596

(Continued)

Primary Examiner — Ian Simmons
Assistant Examiner — Samantha Q. Lawrence
(74) *Attorney, Agent, or Firm* — Schiff Hardin LLP

(57) **CLAIM**

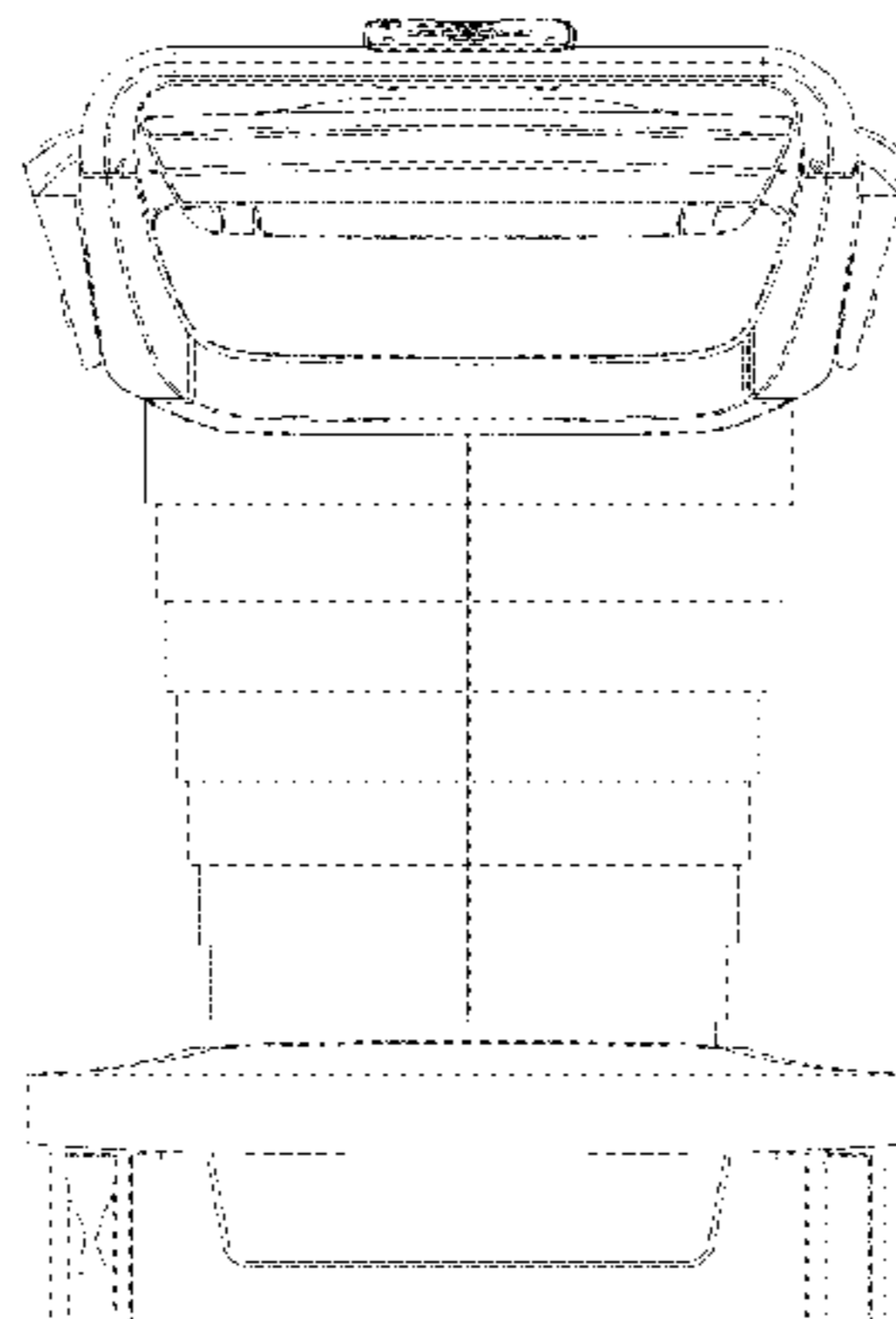
The ornamental design for a patient table with control panel, as shown and described.

DESCRIPTION

FIG. 1 is a front elevational view of a patient table with control panel showing our new design;
FIG. 2 is a back elevational view thereof;
FIG. 3 is a top plan view thereof;
FIG. 4 is a bottom plan view thereof;
FIG. 5 is a right side elevational view thereof;
FIG. 6 is a left side elevational view thereof; and
FIG. 7 is a front, top, right perspective view thereof; and,
FIG. 8 is a front elevational view of the control panel element of the patient table with control panel shown separately for clarity of illustration.

The broken lines are included for the purpose of illustrating portions of the patient table with control panel that form no part of the claimed design.

1 Claim, 8 Drawing Sheets



(58) **Field of Classification Search**

CPC A61G 5/101; A61G 5/1091; A61G 5/12;
 A61G 5/121; A61G 5/127; A61G 5/128;
 A61G 5/14; A61G 7/1017; A61G 7/1019;
 A61G 7/103; A61G 7/1034; A61G
 7/1046; A61G 7/1057; A61H 19/34;
 A61H 19/44; A61H 19/50

See application file for complete search history.

(56) **References Cited**

U.S. PATENT DOCUMENTS

3,982,741 A * 9/1976 Mitchell A61G 13/02
 5/614
 D249,359 S * 9/1978 Stott D24/183
 D344,802 S * 3/1994 Kuck D24/183
 D439,670 S * 3/2001 Sommer D24/183
 D441,868 S * 5/2001 Rodenas Santiago D24/183
 D462,445 S * 9/2002 Barde D24/183
 D553,246 S * 10/2007 Banryu D24/183
 D681,208 S * 4/2013 Ninomiya D24/159

D701,605 S * 3/2014 Ohmukai D24/183
 D726,319 S * 4/2015 Sul D24/159
 D727,509 S * 4/2015 Tan D24/159
 D743,555 S * 11/2015 Hasebe D24/159
 9,233,042 B1 * 1/2016 Freude A61G 13/10
 D748,804 S * 2/2016 Eenboom D24/183
 D752,757 S * 3/2016 Li D24/159
 9,282,936 B2 * 3/2016 Kondo A61B 6/032
 D770,049 S * 10/2016 Yanagihara D24/183
 D774,195 S * 12/2016 Ramos D24/183
 9,592,024 B2 * 3/2017 Iizuka A61B 5/0555
 2009/0144902 A1 * 6/2009 Baumann A61B 6/0457
 5/608
 2014/0303477 A1 * 10/2014 Sunazuka A61B 5/0555
 600/407
 2015/0289829 A1 * 10/2015 Yamada A61B 6/032
 378/20
 2015/0320382 A1 * 11/2015 Martinez Ferreira
 A61B 6/0457
 378/69
 2016/0030265 A1 * 2/2016 Frueh A61G 13/00
 701/22

* cited by examiner

FIG. 1

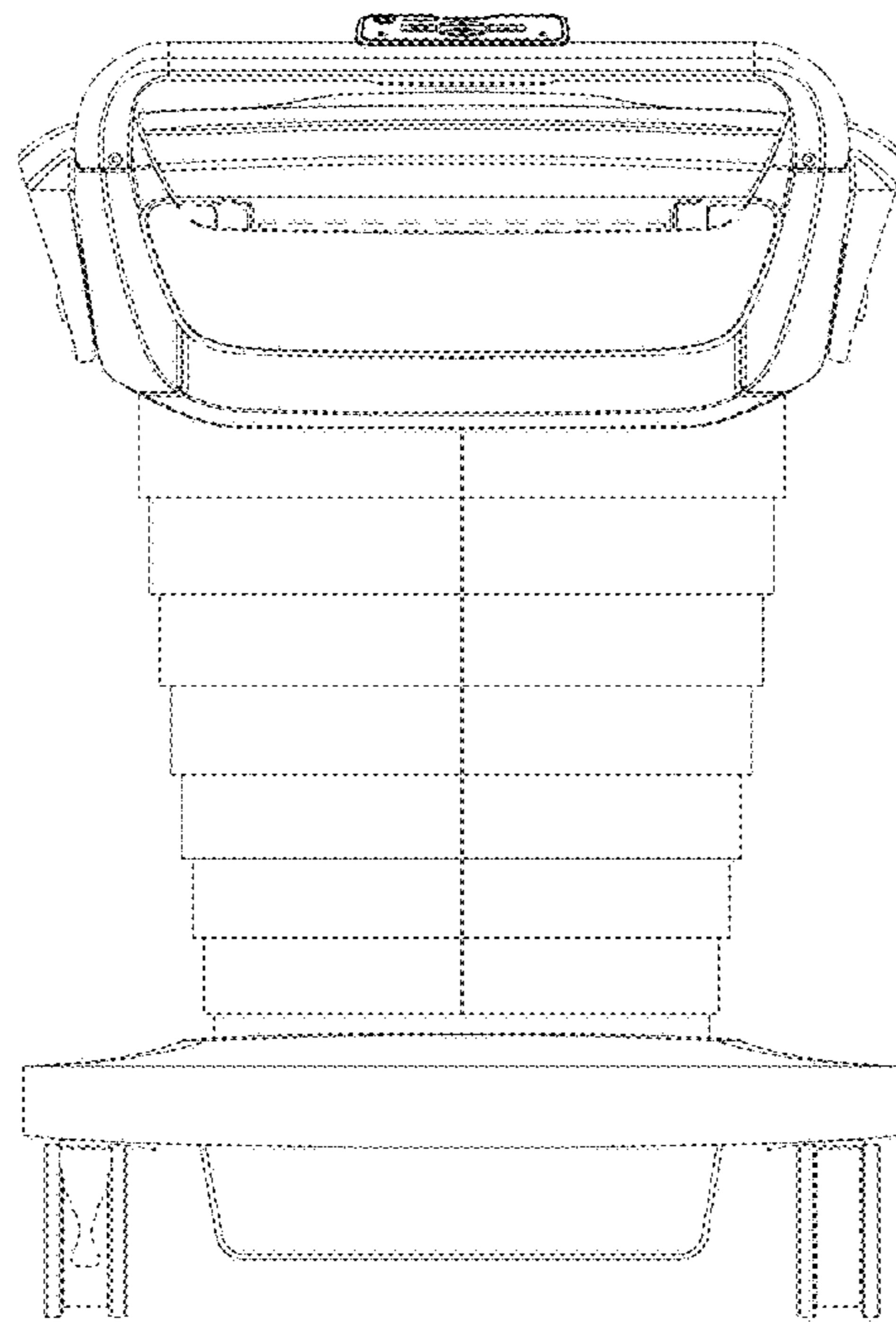


FIG. 2

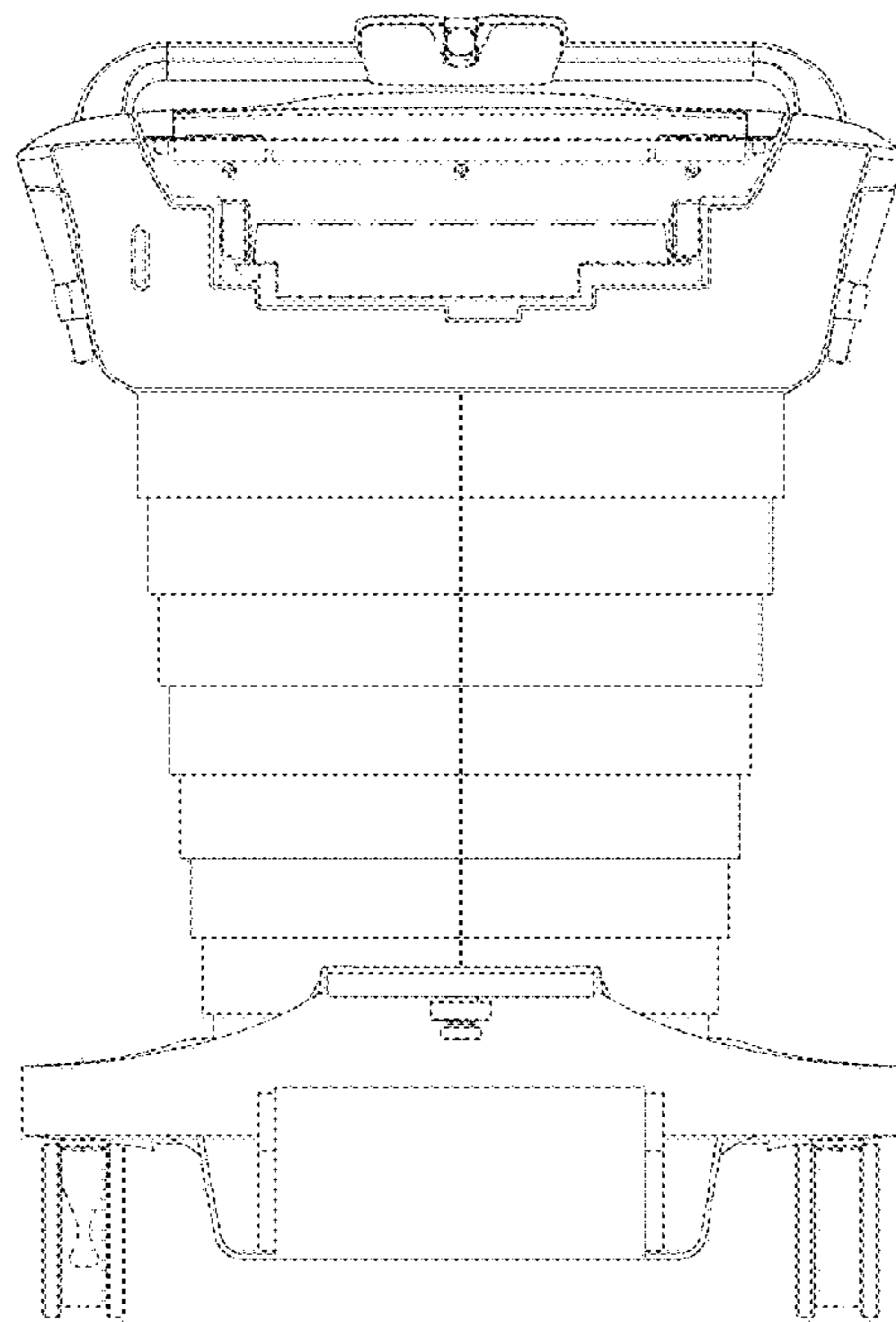


FIG. 3

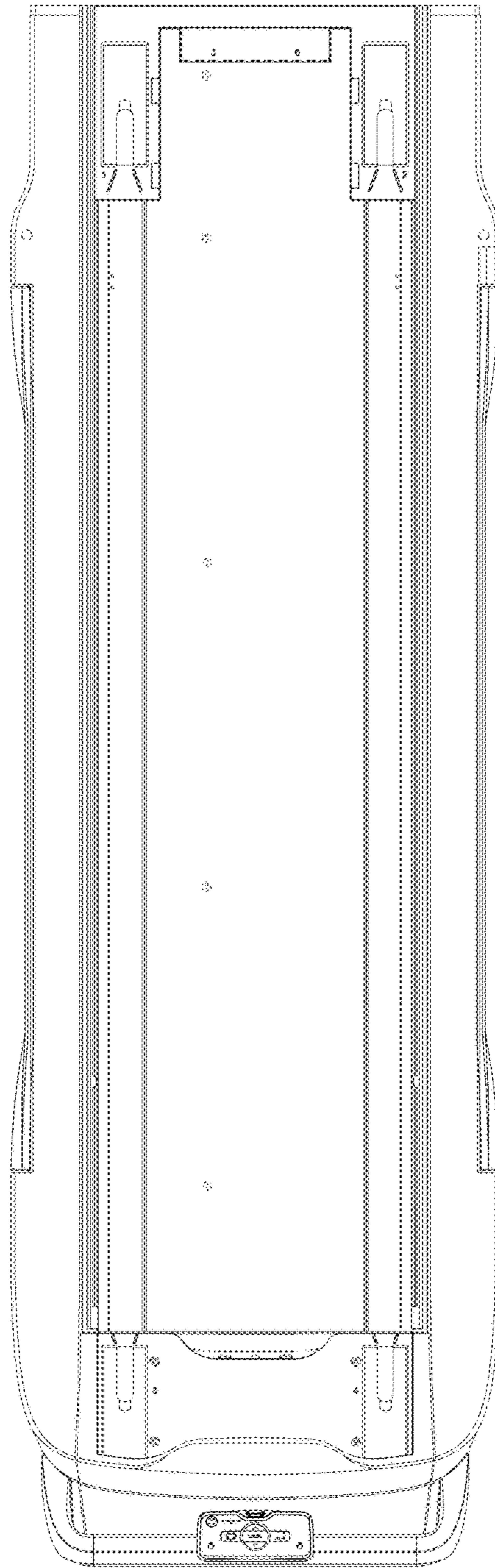


FIG. 4

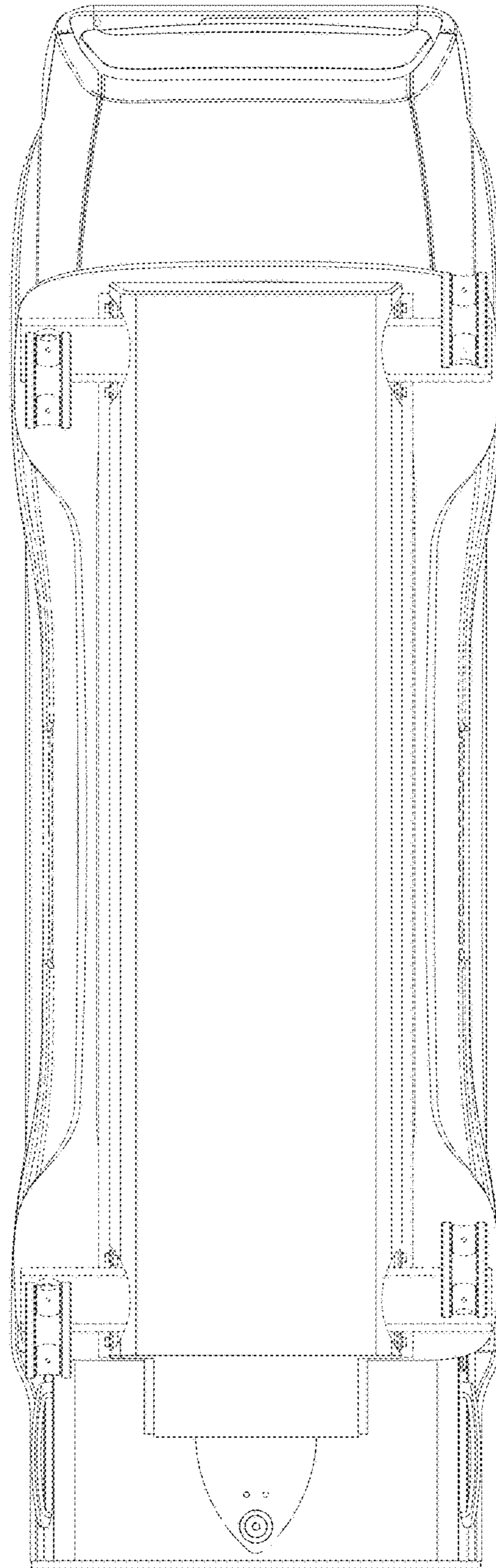


FIG. 5

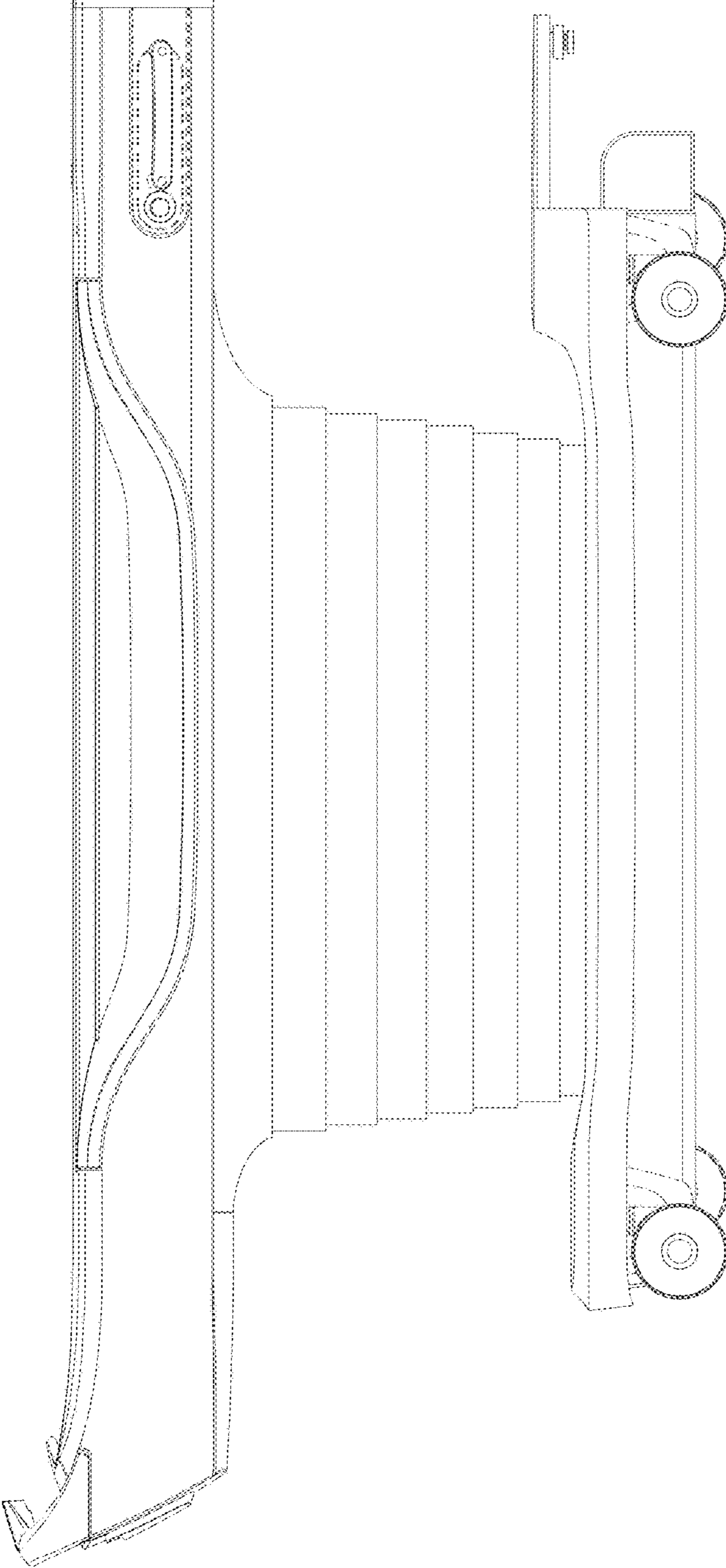


FIG. 6

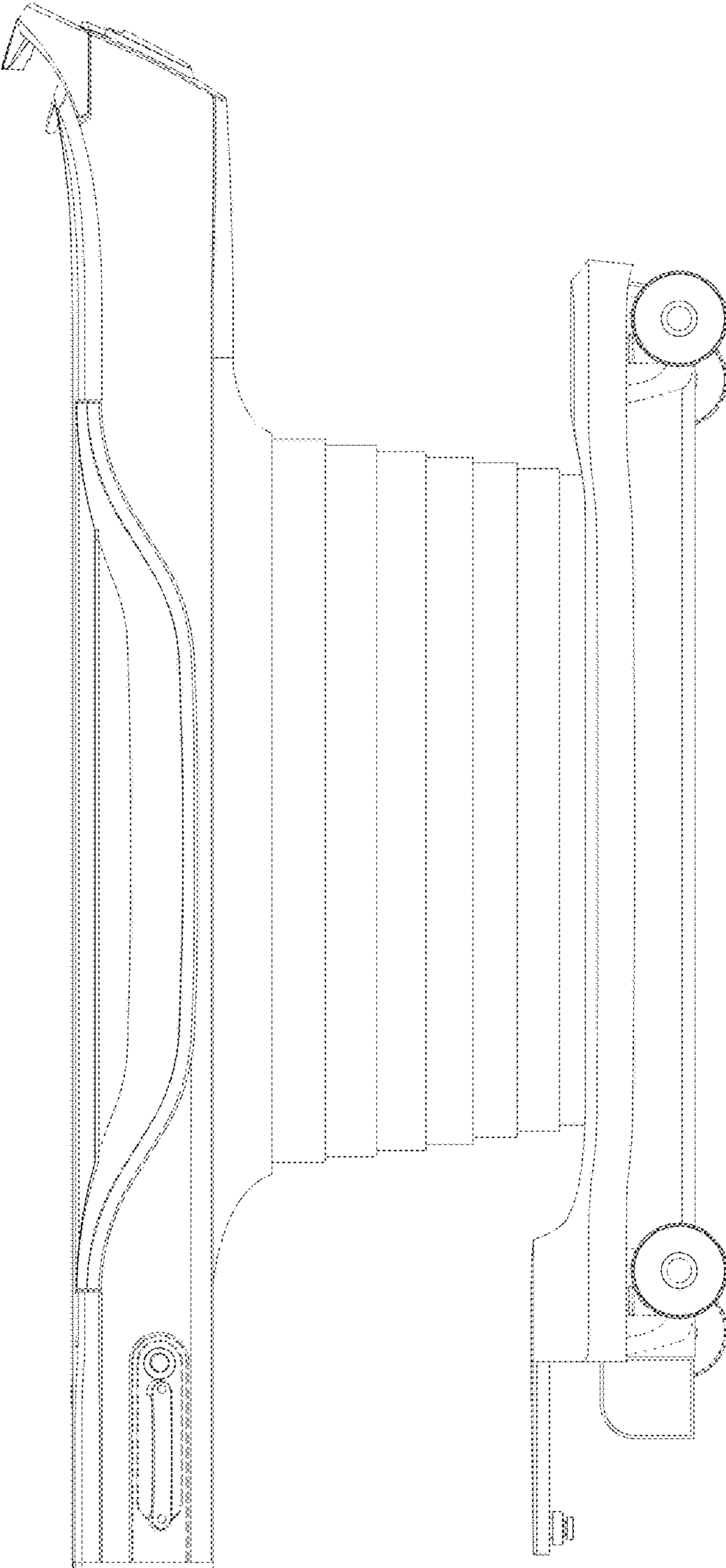


FIG. 7

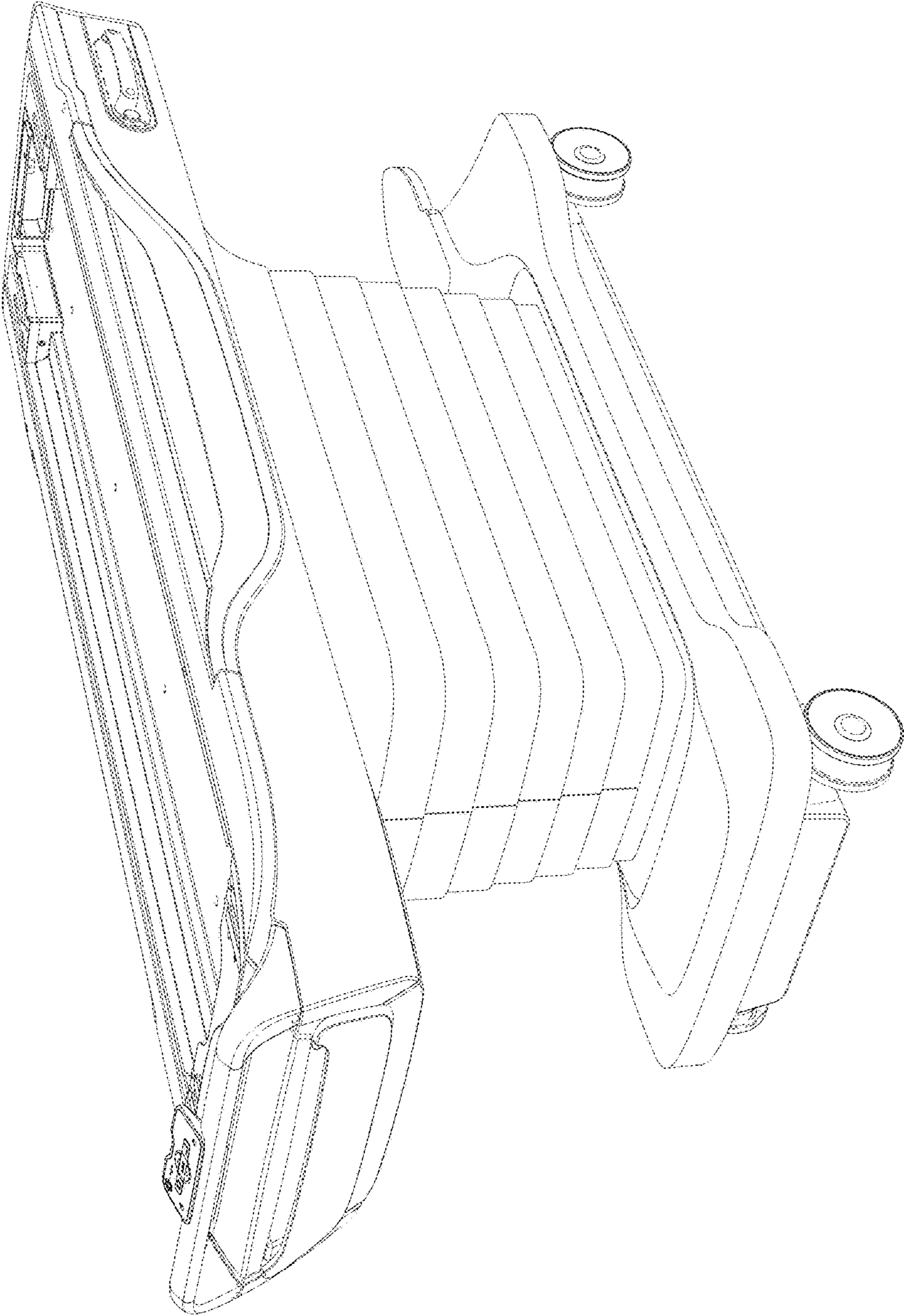


FIG. 8

