



US00D844787S

(12) **United States Design Patent**
Formica et al.

(10) **Patent No.:** **US D844,787 S**

(45) **Date of Patent:** **** Apr. 2, 2019**

(54) **PRESSURIZED AIR DELIVERY CONSOLE**

(71) Applicant: **ResMed Limited**, Bella Vista, New South Wales (AU)

(72) Inventors: **Justin John Formica**, Sydney (AU);
Joseph Samuel Ormrod, Sydney (AU);
Mark Simpson, Sydney (AU); **Jamie Graeme Wehbeh**, Sydney (AU)

(73) Assignee: **ResMed Limited**, Bella Vista (AU)

(**) Term: **15 Years**

(21) Appl. No.: **29/549,630**

(22) Filed: **Dec. 28, 2015**

(51) **LOC (11) Cl.** **24-02**

(52) **U.S. Cl.**
USPC **D24/164**

(58) **Field of Classification Search**
USPC D24/164, 110, 185, 110.5, 108, 111, 231,
D24/232; D10/96; D23/356, 360;
122/4 R; 600/538
CPC .. A61M 16/0051; A61M 16/208; A61B 5/087
See application file for complete search history.

(56) **References Cited**

U.S. PATENT DOCUMENTS

D421,298 S *	2/2000	Kenyon	D24/110
D427,675 S	7/2000	Hansel		
D467,335 S	12/2002	Lithgow et al.		
D468,011 S	12/2002	Lithgow et al.		
D476,077 S	6/2003	Lithgow		
D477,868 S	7/2003	Lithgow		
D487,311 S	3/2004	Lithgow et al.		
D493,520 S	7/2004	Bertinetti et al.		
D493,884 S	8/2004	Virr et al.		
D497,203 S	10/2004	Lithgow et al.		
D498,527 S	11/2004	Virr		

(Continued)

OTHER PUBLICATIONS

Formica et al., Design U.S. Appl. No. 29/557,711, filed Mar. 11, 2016, entitled "Air Delivery Module and/or Components Thereof".

(Continued)

Primary Examiner — Rhea Shields

(74) *Attorney, Agent, or Firm* — Nixon & Vanderhye P.C.

(57) **CLAIM**

The ornamental design for a pressurized air delivery console, as shown and described.

DESCRIPTION

FIG. 1 is a front perspective view of a pressurized air delivery console according to a first embodiment showing our new ornamental design;

FIG. 2 is a front view thereof;

FIG. 3 is a rear view thereof;

FIG. 4 is a top view thereof;

FIG. 5 is a bottom view thereof;

FIG. 6 is a right side view thereof;

FIG. 7 is a left side view thereof;

FIG. 8 is another perspective view thereof;

FIG. 9 is a front perspective view of a pressurized air delivery console according to a second embodiment showing our new ornamental design;

FIG. 10 is a front view thereof;

FIG. 11 is a rear view thereof;

FIG. 12 is a top view thereof;

FIG. 13 is a bottom view thereof;

FIG. 14 is a right side view thereof;

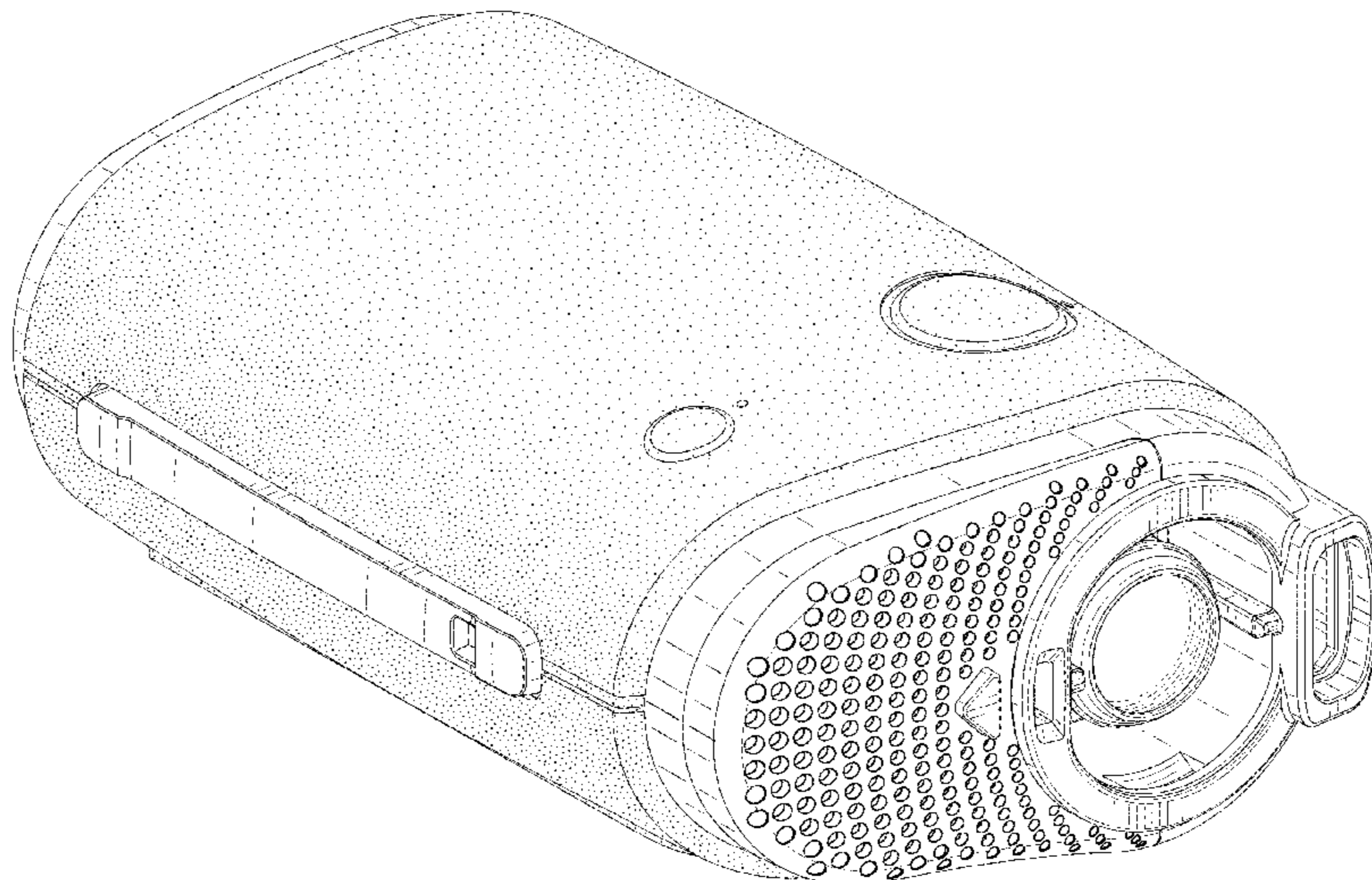
FIG. 15 is a left side view thereof; and,

FIG. 16 is another perspective view thereof.

The broken lines represent environmental structure or unclaimed portions of the pressurized air delivery console and do not form a portion of the claimed design.

The use of both stippling and line-shading in FIGS. 1-8 indicates different materials or tones.

1 Claim, 14 Drawing Sheets



(56)

References Cited

U.S. PATENT DOCUMENTS

D498,528 S 11/2004 Van Brunt
 D504,945 S 5/2005 Van Brunt
 D528,212 S * 9/2006 Conway D24/164
 D544,591 S 6/2007 Snow
 D544,598 S 6/2007 Lithgow
 D545,954 S 7/2007 Snow
 D549,321 S 8/2007 Snow
 D549,341 S * 8/2007 Ross D24/164
 D550,349 S 9/2007 Lithgow
 D560,795 S 1/2008 Lithgow et al.
 D570,473 S 6/2008 Hamaguchi et al.
 D585,540 S 1/2009 Lithgow et al.
 D604,830 S 11/2009 Lithgow
 D627,044 S * 11/2010 Virr D23/356
 8,006,691 B2 * 8/2011 Kenyon A61M 16/0051
 122/4 R
 D658,283 S 4/2012 Burz et al.
 D659,235 S * 5/2012 Bertinetti D24/110
 D675,730 S 2/2013 Lithgow et al.
 D708,316 S * 7/2014 Bertinetti D24/110
 D710,989 S 8/2014 Bertinetti
 D725,768 S 3/2015 Eustis et al.
 D729,936 S * 5/2015 Reback D24/164
 D729,937 S * 5/2015 Acker D24/164
 D731,050 S * 6/2015 Meyer A61M 16/208
 D24/110.5
 D738,489 S * 9/2015 Formica D24/110
 D740,929 S 10/2015 Pipe et al.
 D743,556 S * 11/2015 Bath D24/164
 D744,108 S * 11/2015 Verma D24/164
 D745,137 S 12/2015 Pipe et al.
 D759,804 S 6/2016 Singh et al.
 9,375,543 B2 6/2016 Librett et al.

D771,799 S * 11/2016 Formica D24/110
 D774,180 S * 12/2016 Wu D24/110
 D775,346 S * 12/2016 Bath D24/164
 D776,256 S * 1/2017 Formica D24/110
 D776,802 S * 1/2017 Loew D24/108
 D790,683 S * 6/2017 Formica D24/108
 D798,428 S * 9/2017 Cork D23/360
 D801,521 S * 10/2017 Hyde D24/111
 D804,341 S * 12/2017 Rowland D10/96
 D806,859 S * 1/2018 Formica D24/110
 2007/0193582 A1 8/2007 Kwok et al.
 2008/0072900 A1 3/2008 Kenyon
 2010/0229867 A1 9/2010 Bertinetti et al.
 2011/0017212 A1 1/2011 Kenyon
 2011/0155132 A1 6/2011 Virr
 2012/0029376 A1 * 2/2012 Meng A61B 5/087
 600/538
 2014/0131904 A1 5/2014 Tang
 2014/0299130 A1 10/2014 Librett et al.
 2014/0299132 A1 10/2014 Librett et al.
 2014/0299406 A1 10/2014 Librett et al.
 2015/0023782 A1 1/2015 Velzy et al.
 2015/0231358 A1 8/2015 Smith
 2017/0348498 A1 12/2017 Salter
 2018/0043125 A1 2/2018 Bencke
 2018/0071471 A1 3/2018 Kirollos
 2018/0078730 A1 3/2018 Bath

OTHER PUBLICATIONS

Human Design Medical, LLC Z1™ Getting Started Guide, 2013, 2 pages.
 Somnetics International, Inc., Transcend©, Transcend© Quick Guide, 2014, 10 pages.

* cited by examiner

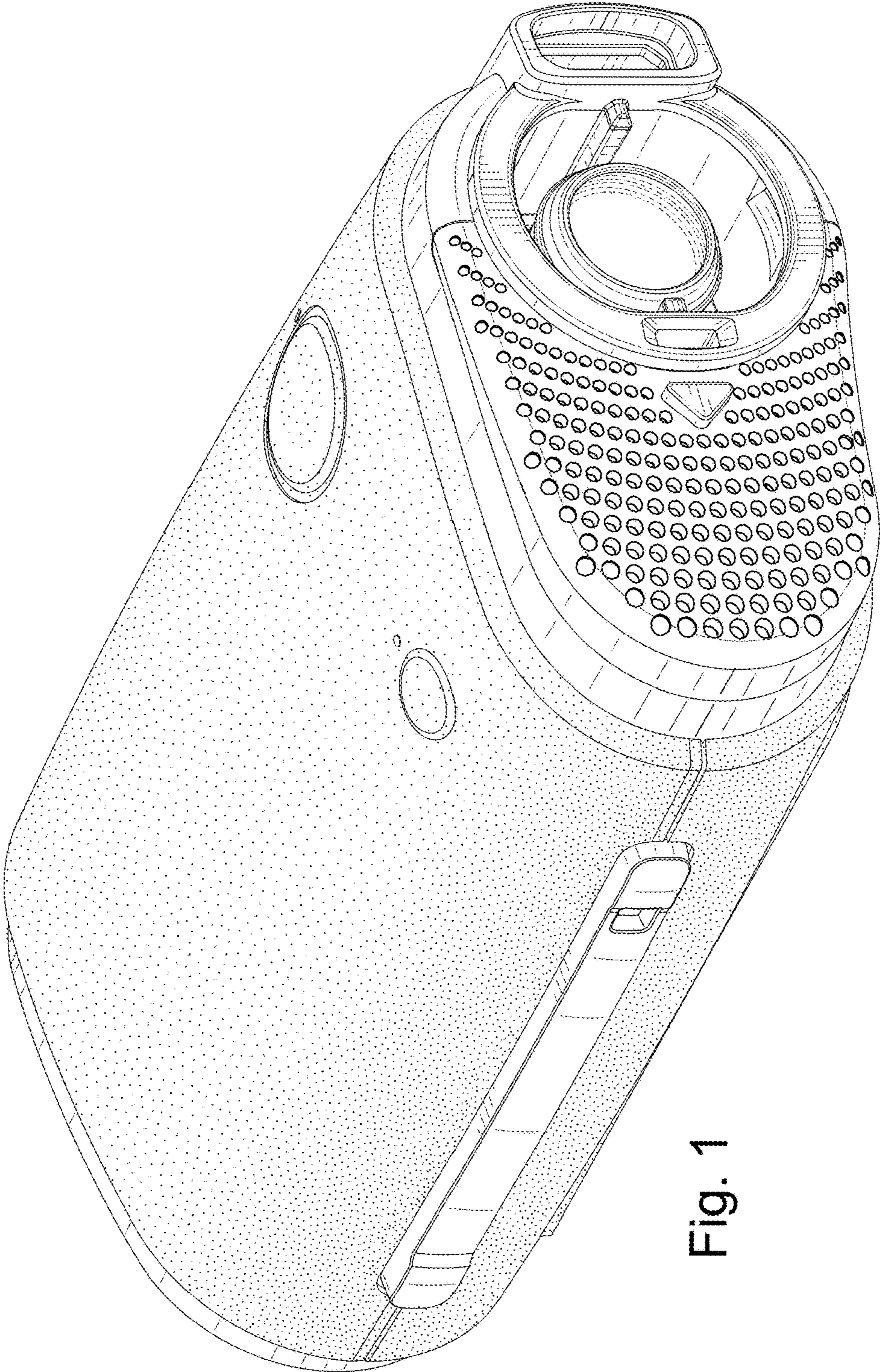


Fig. 1

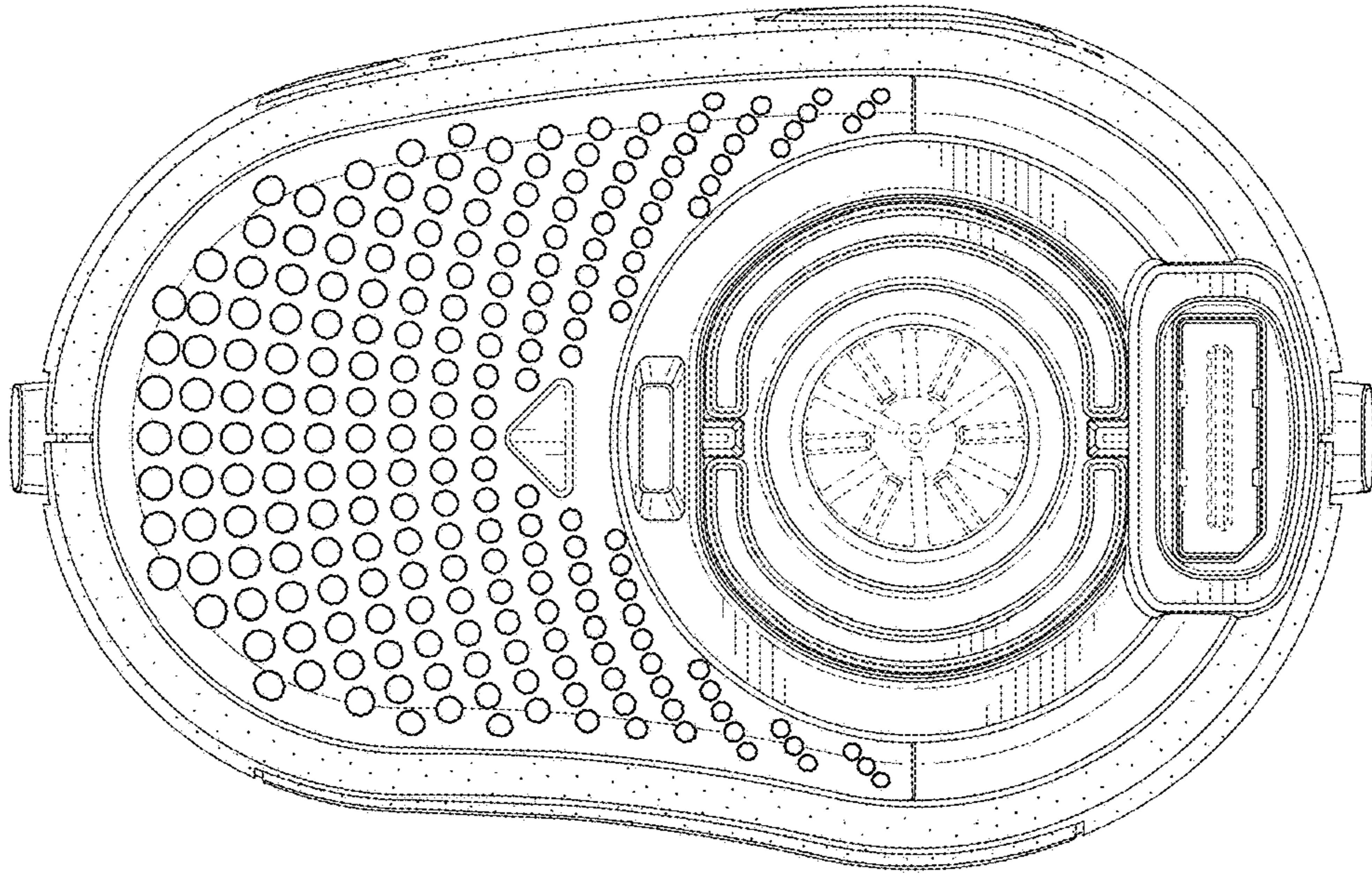


Fig. 2

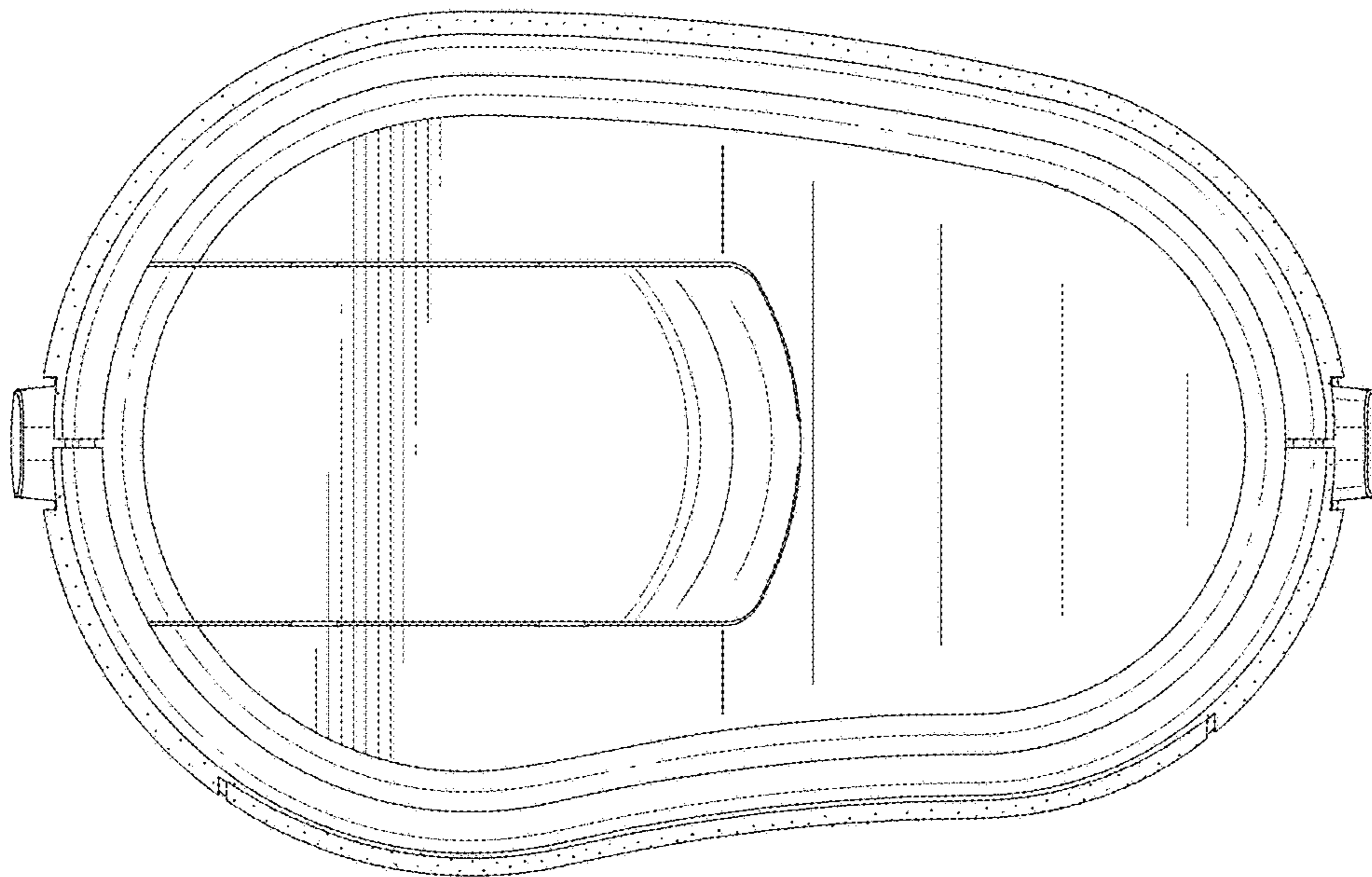


Fig. 3

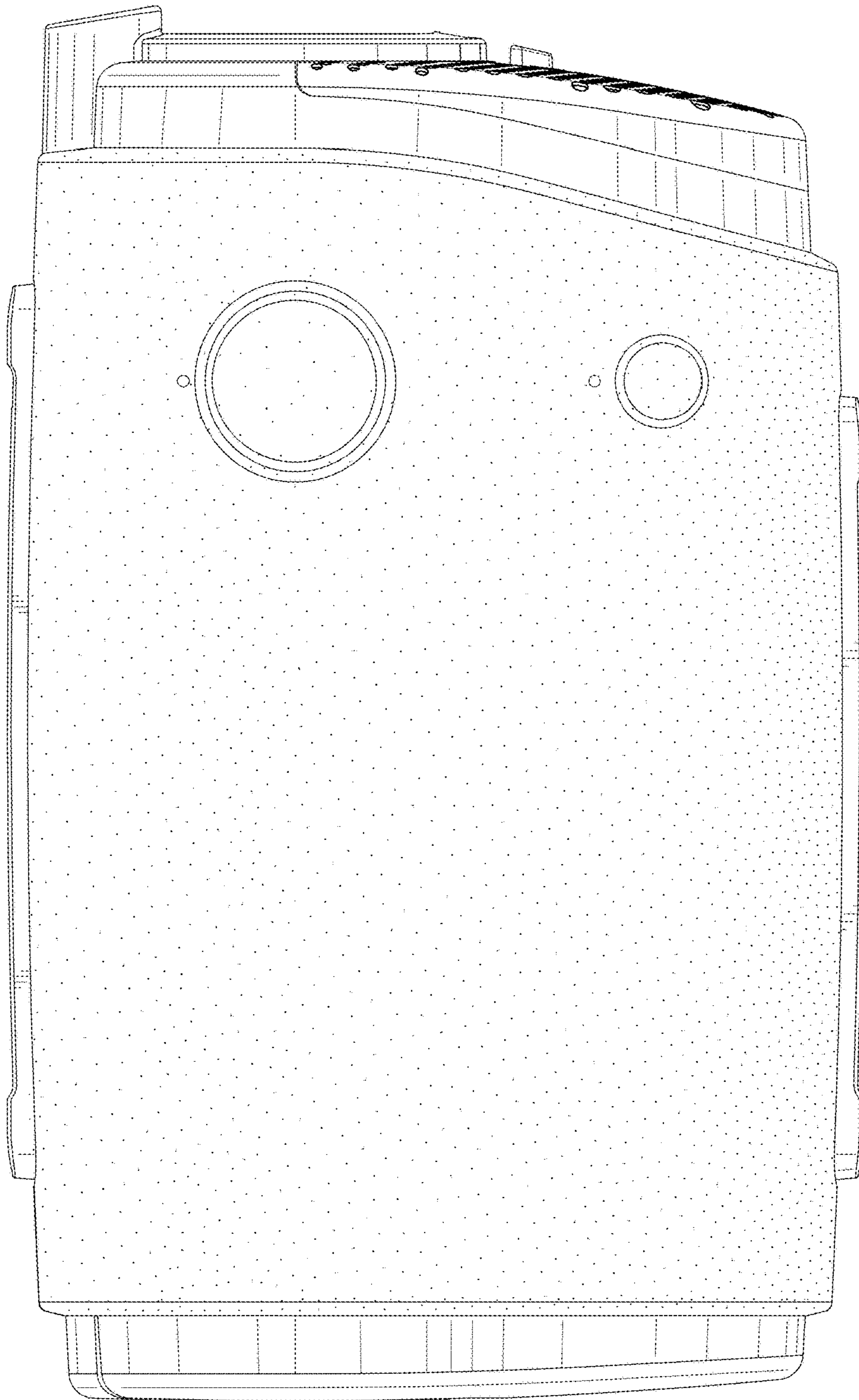


Fig. 4

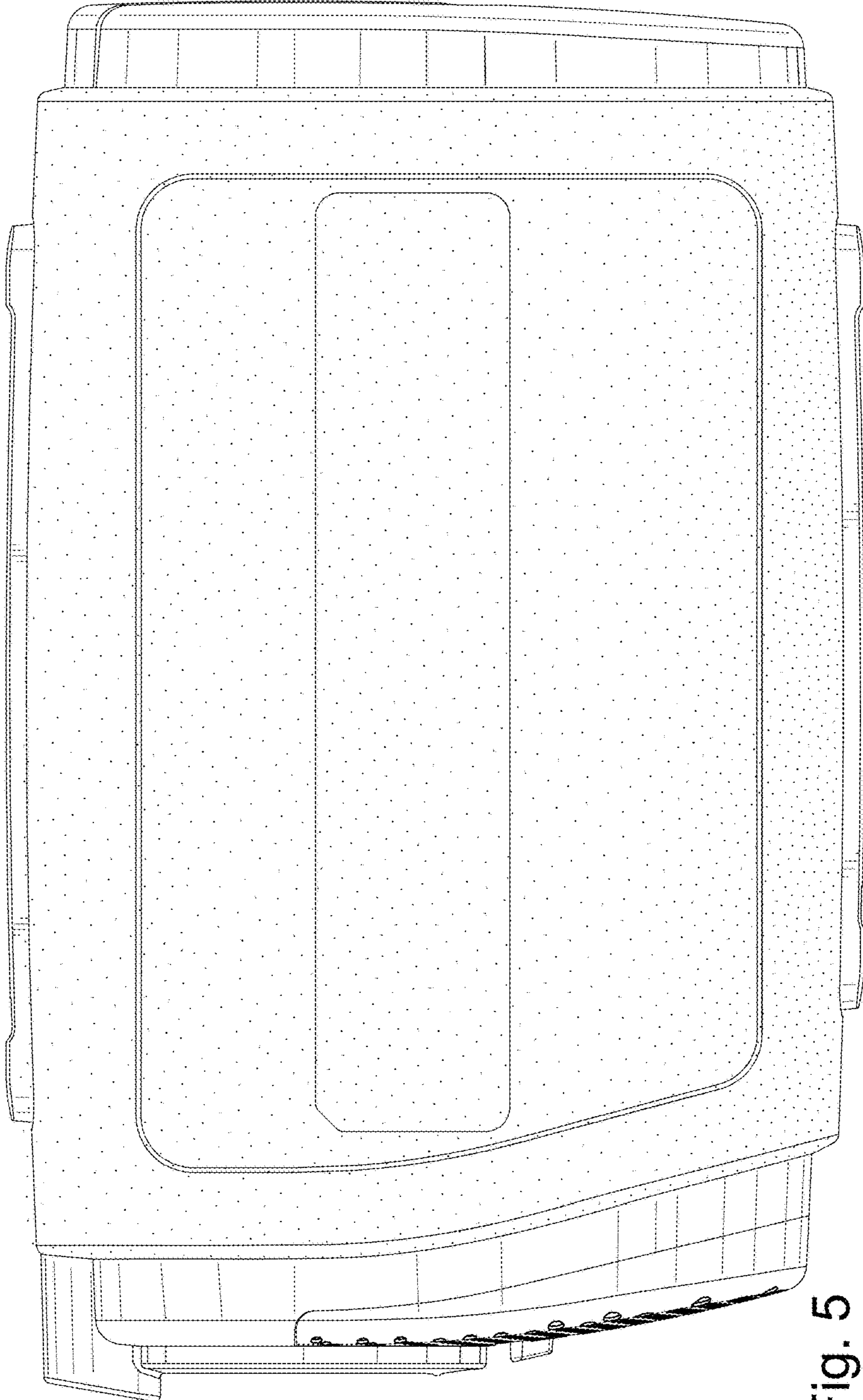


Fig. 5

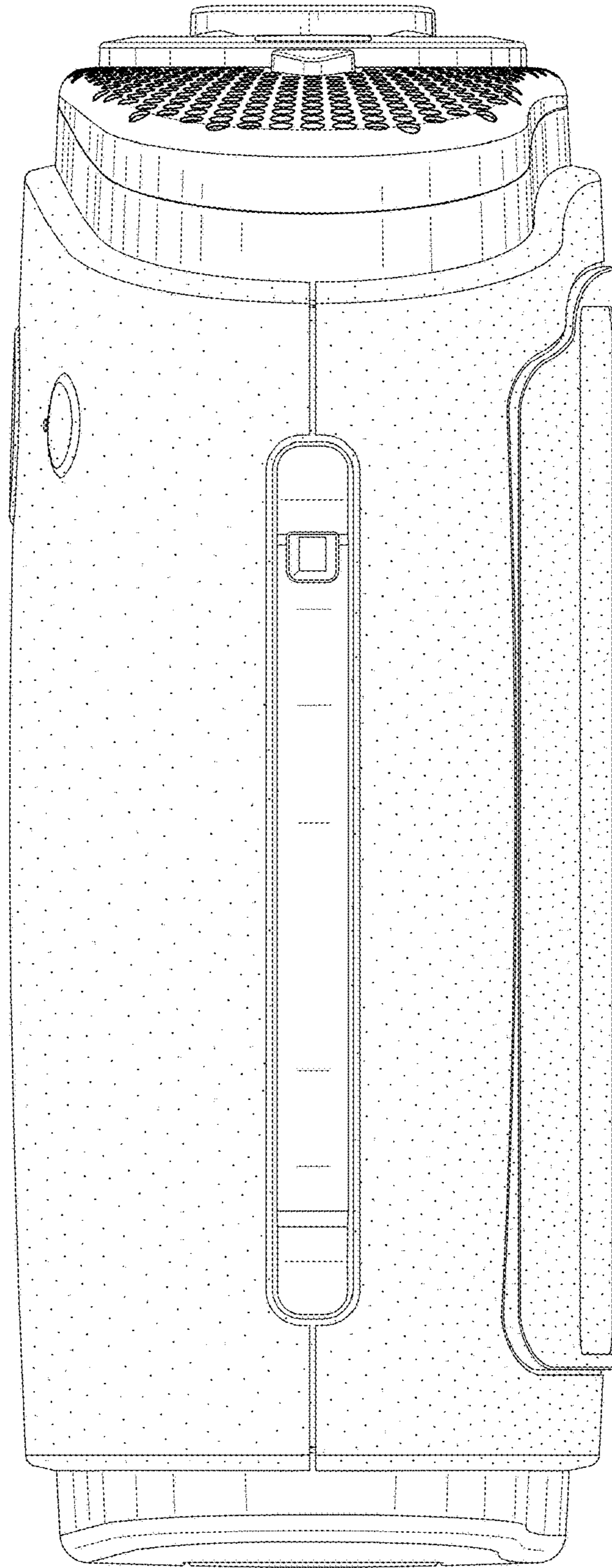


Fig. 6

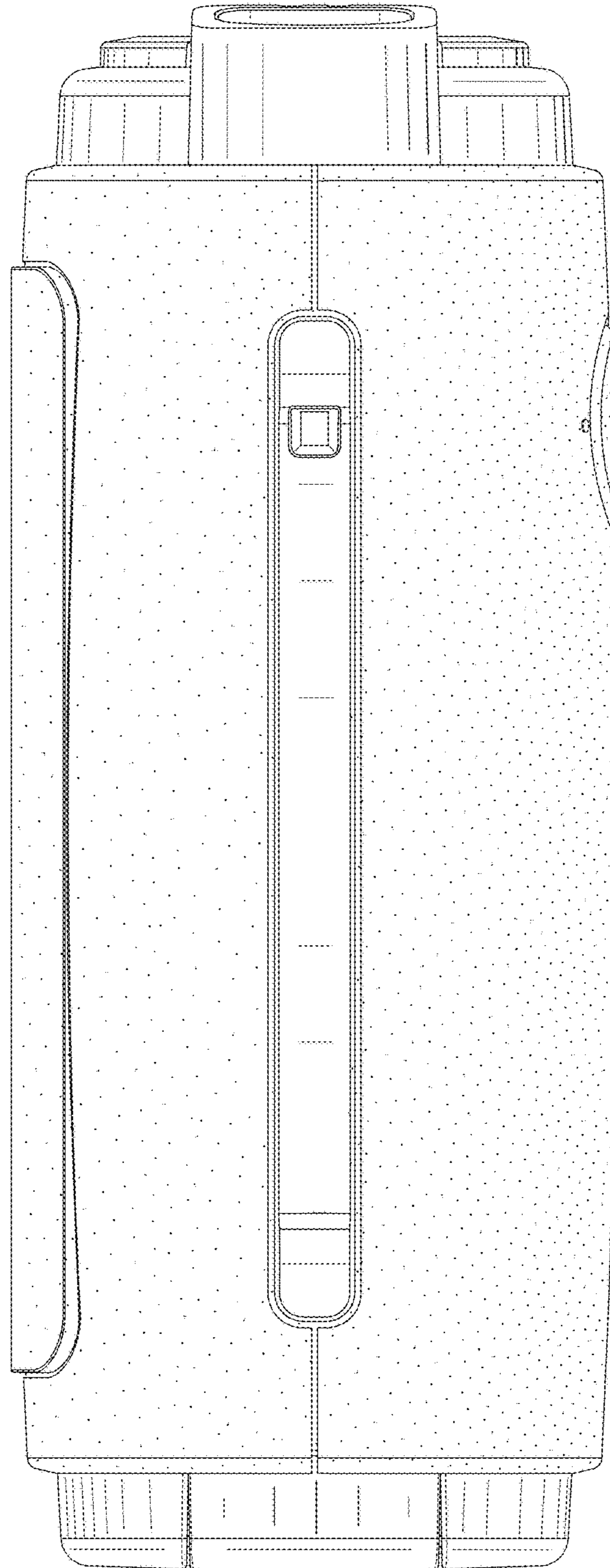


Fig. 7

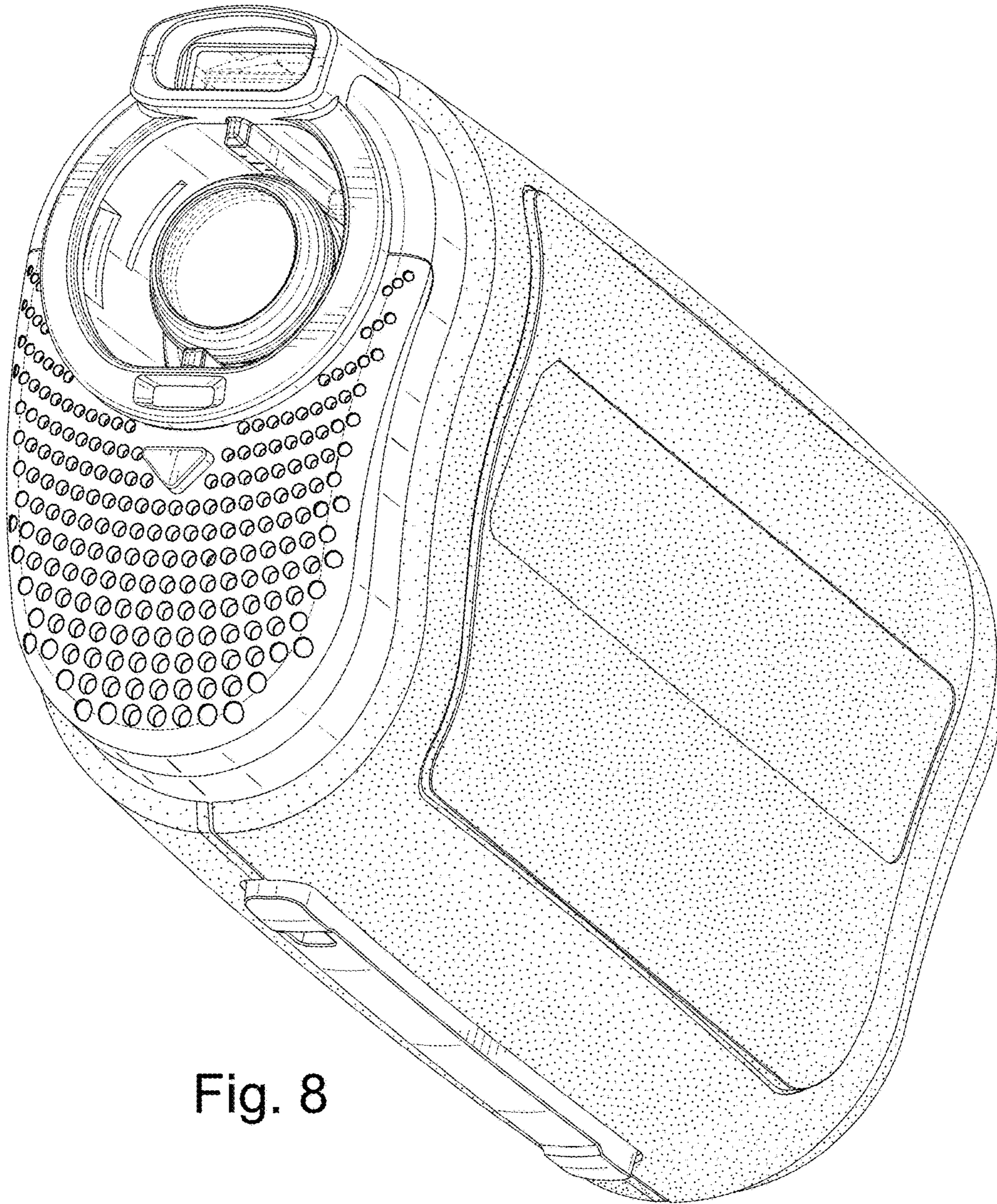


Fig. 8

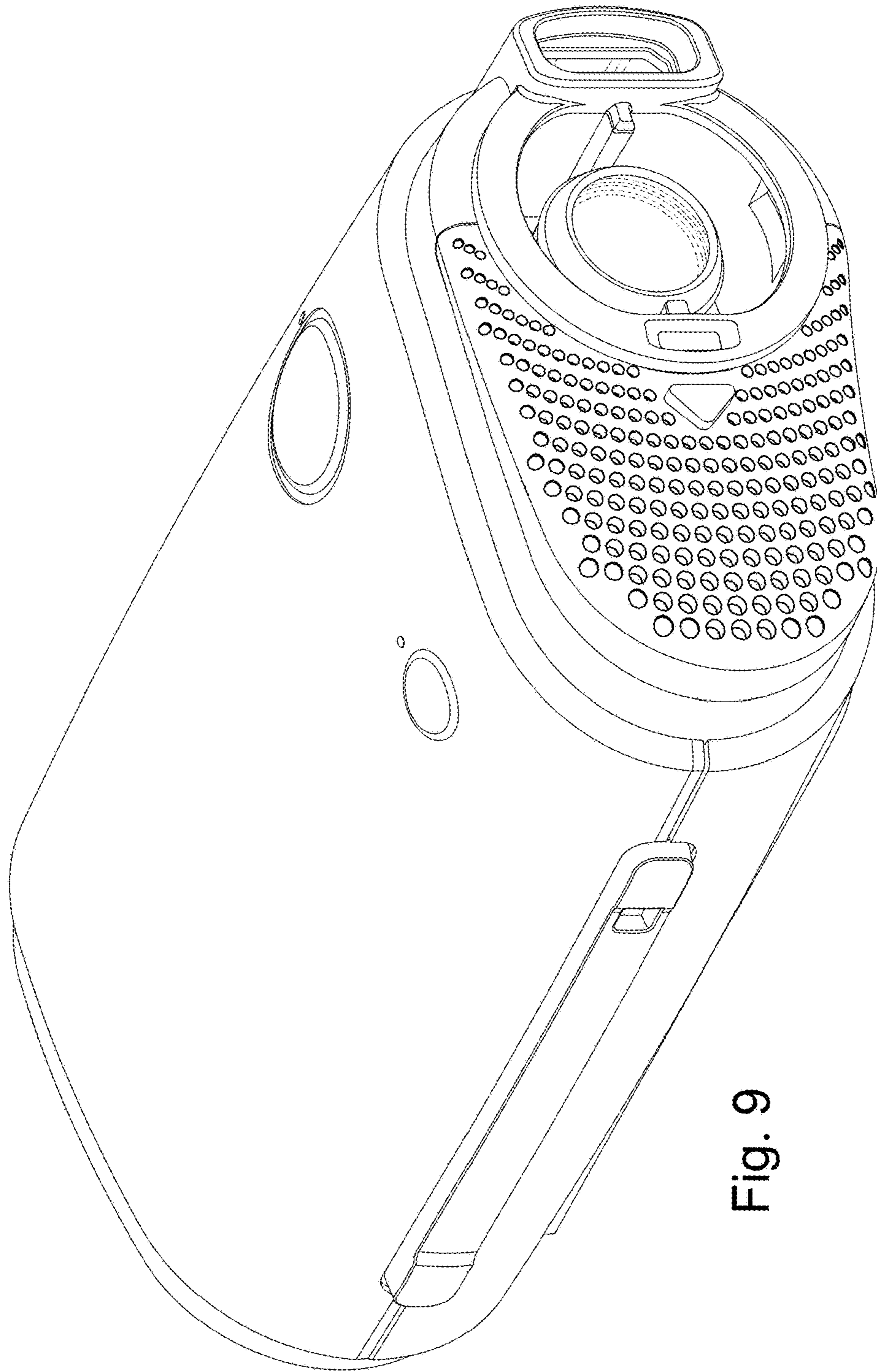


Fig. 9

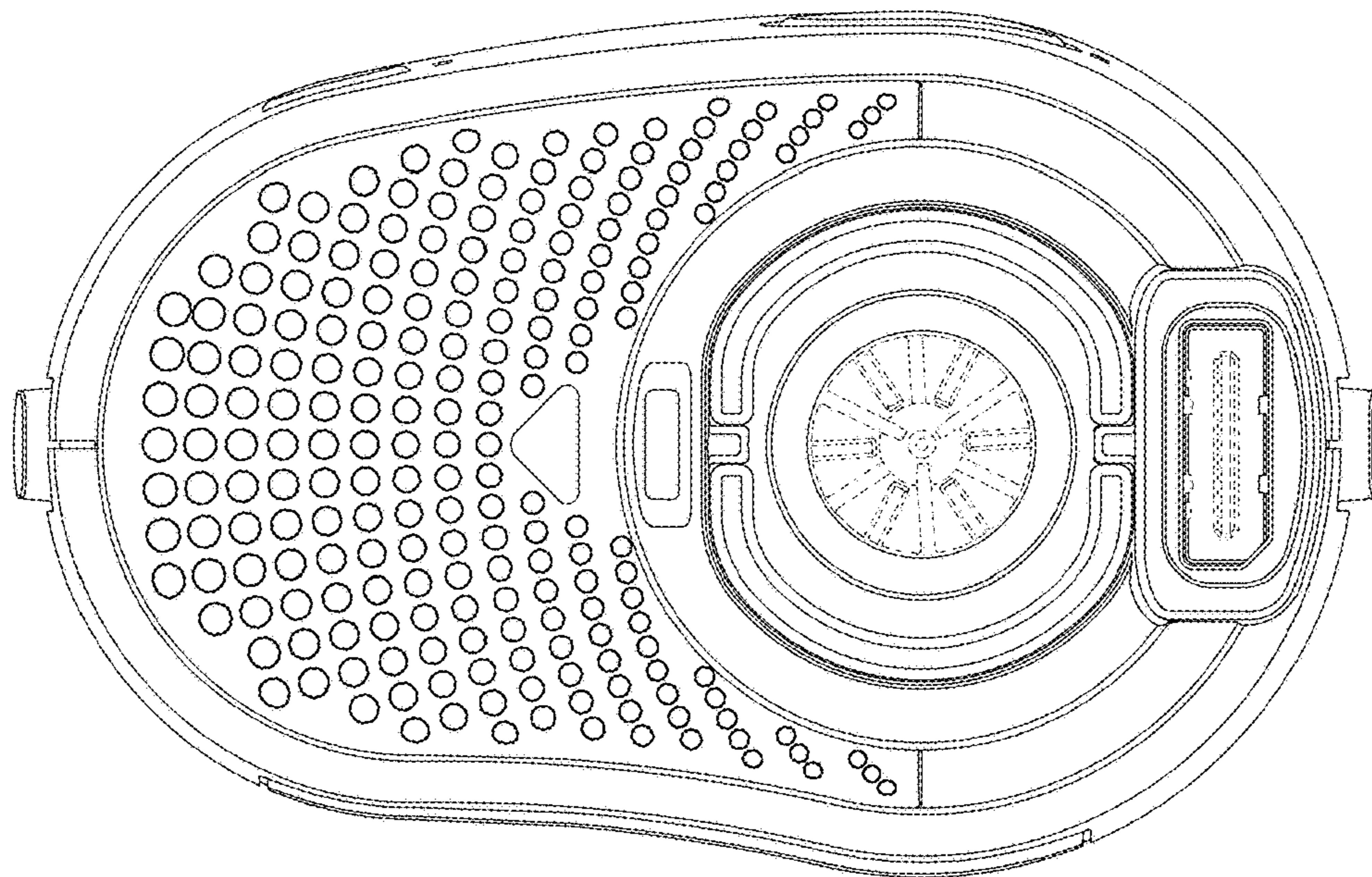


Fig. 10

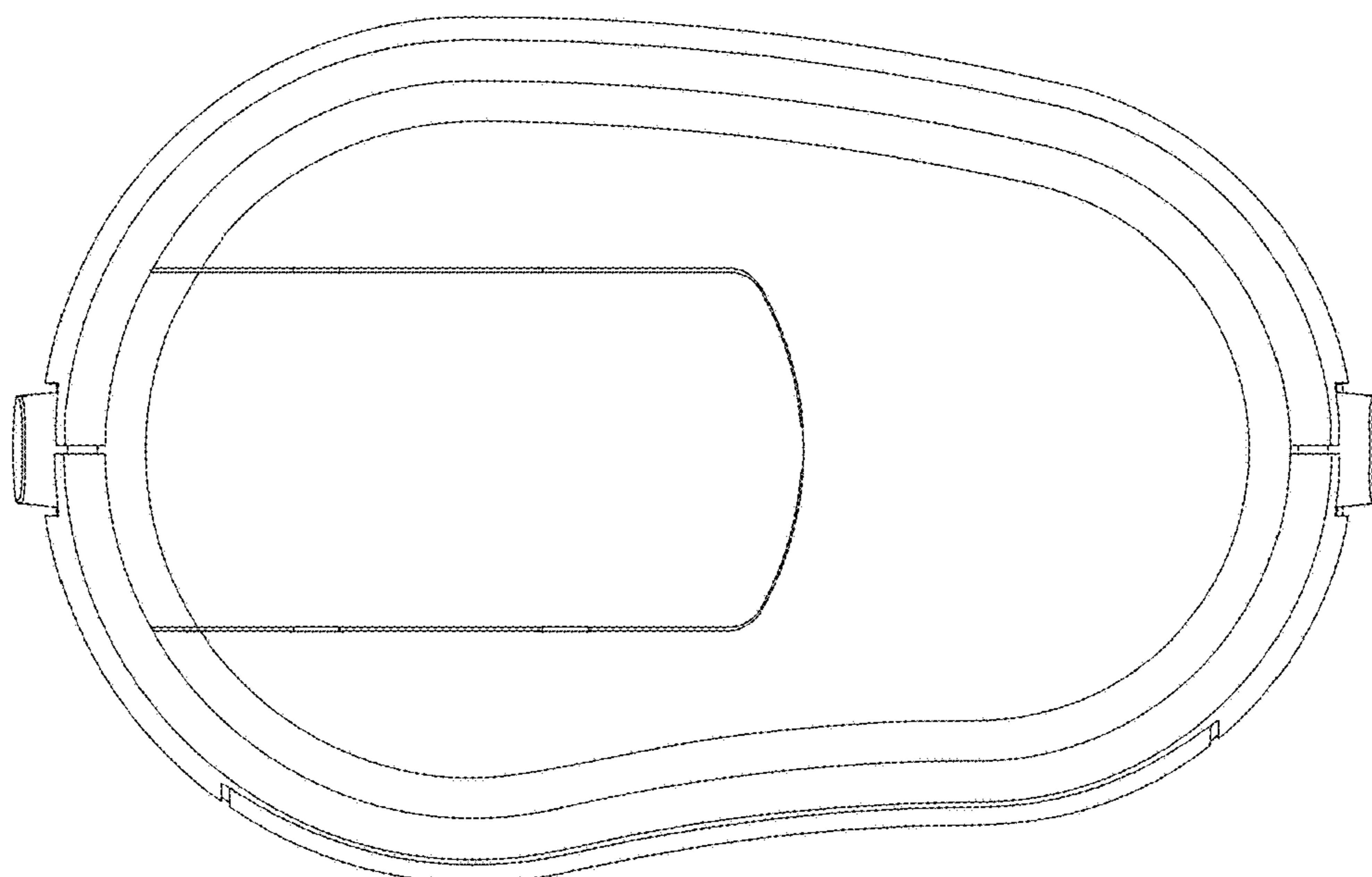


Fig. 11

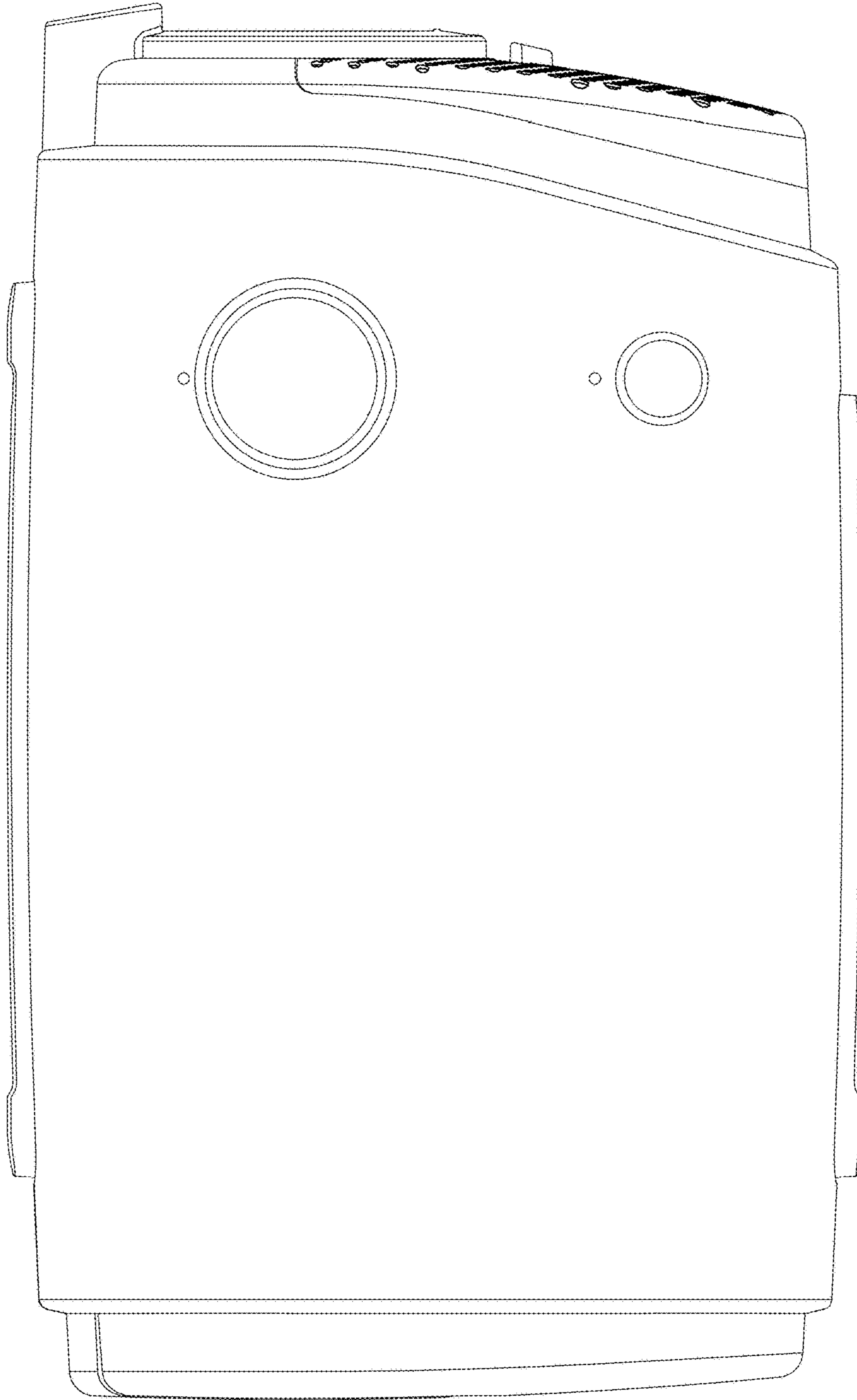


Fig. 12

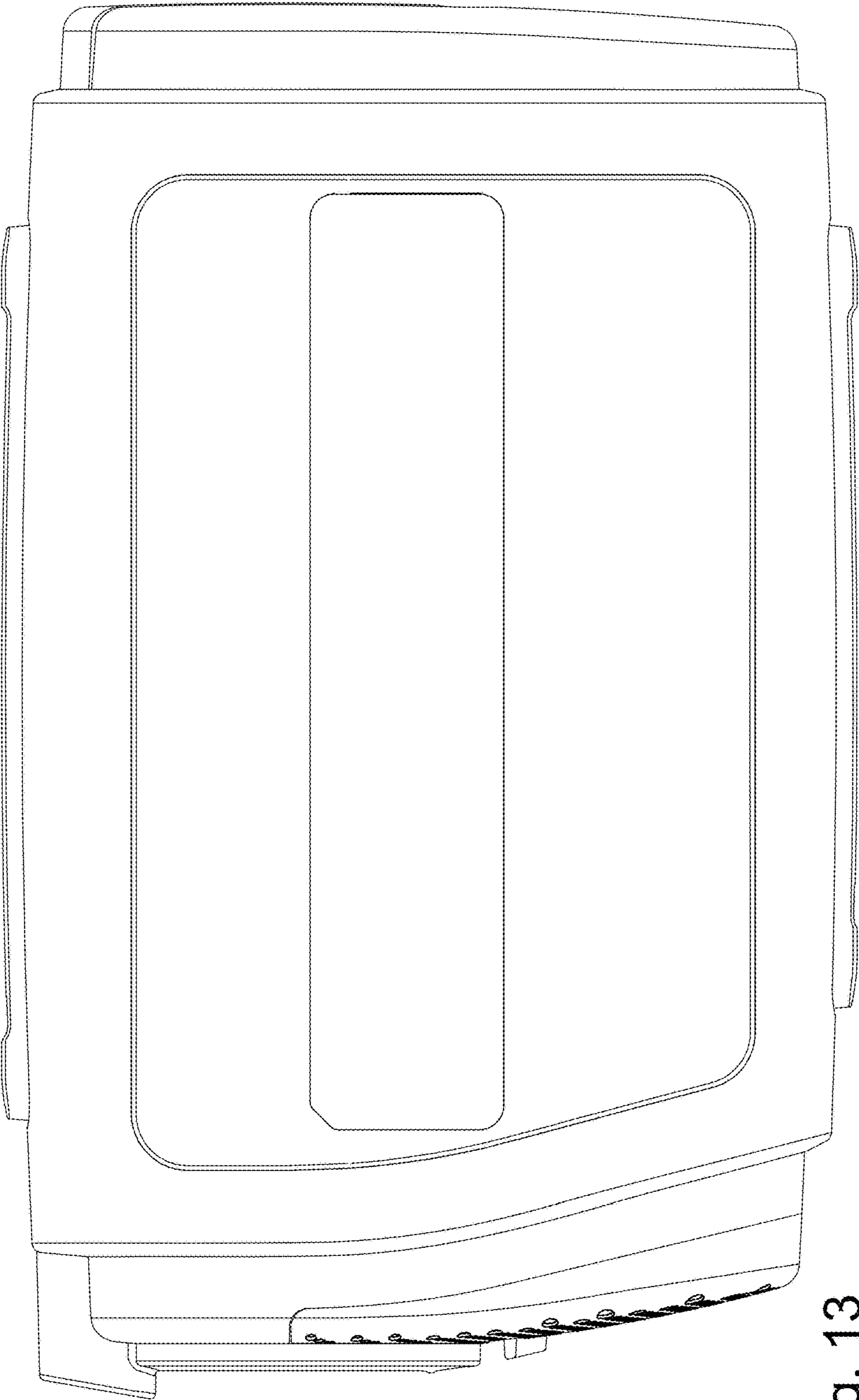


Fig. 13

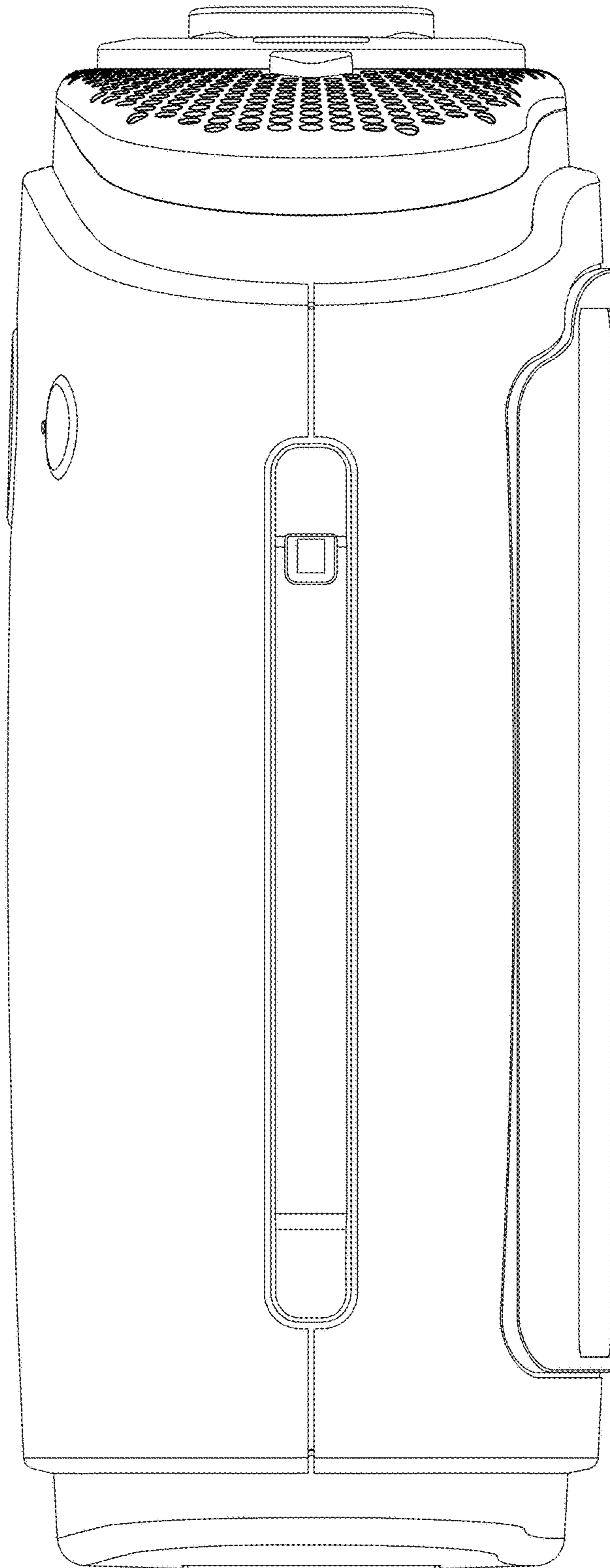


Fig. 14

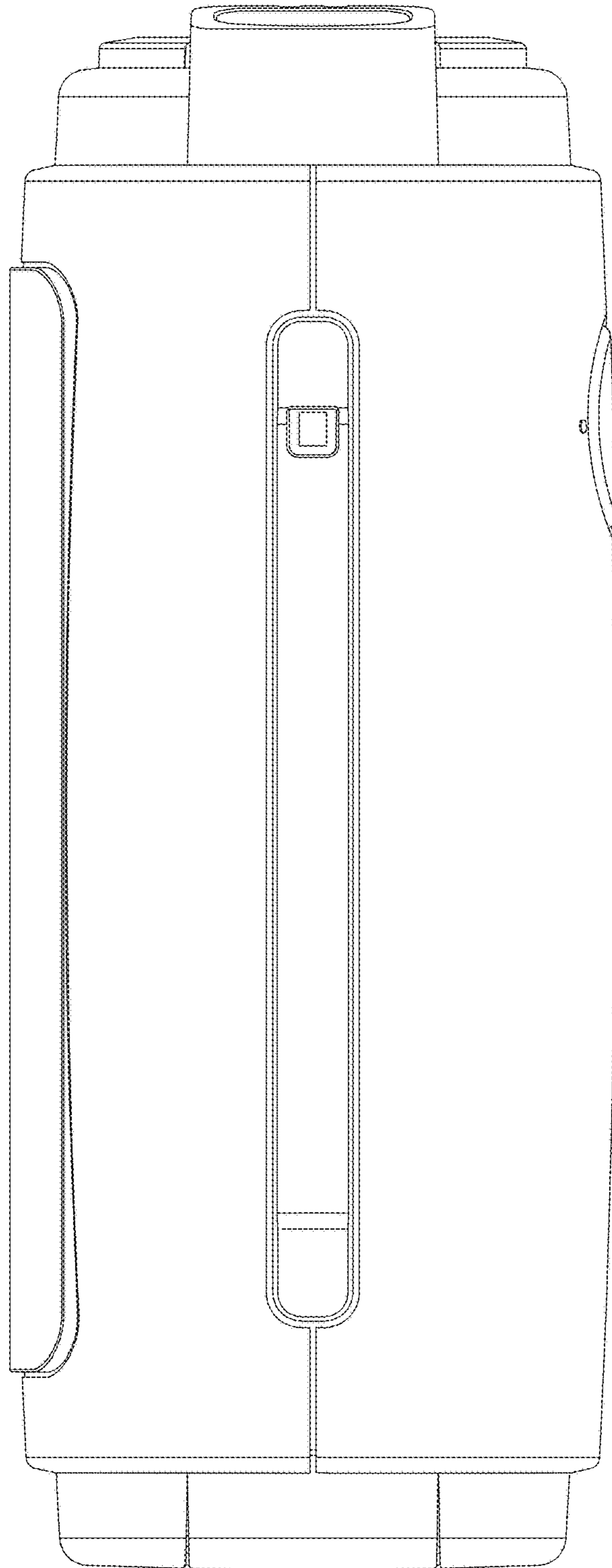


Fig. 15

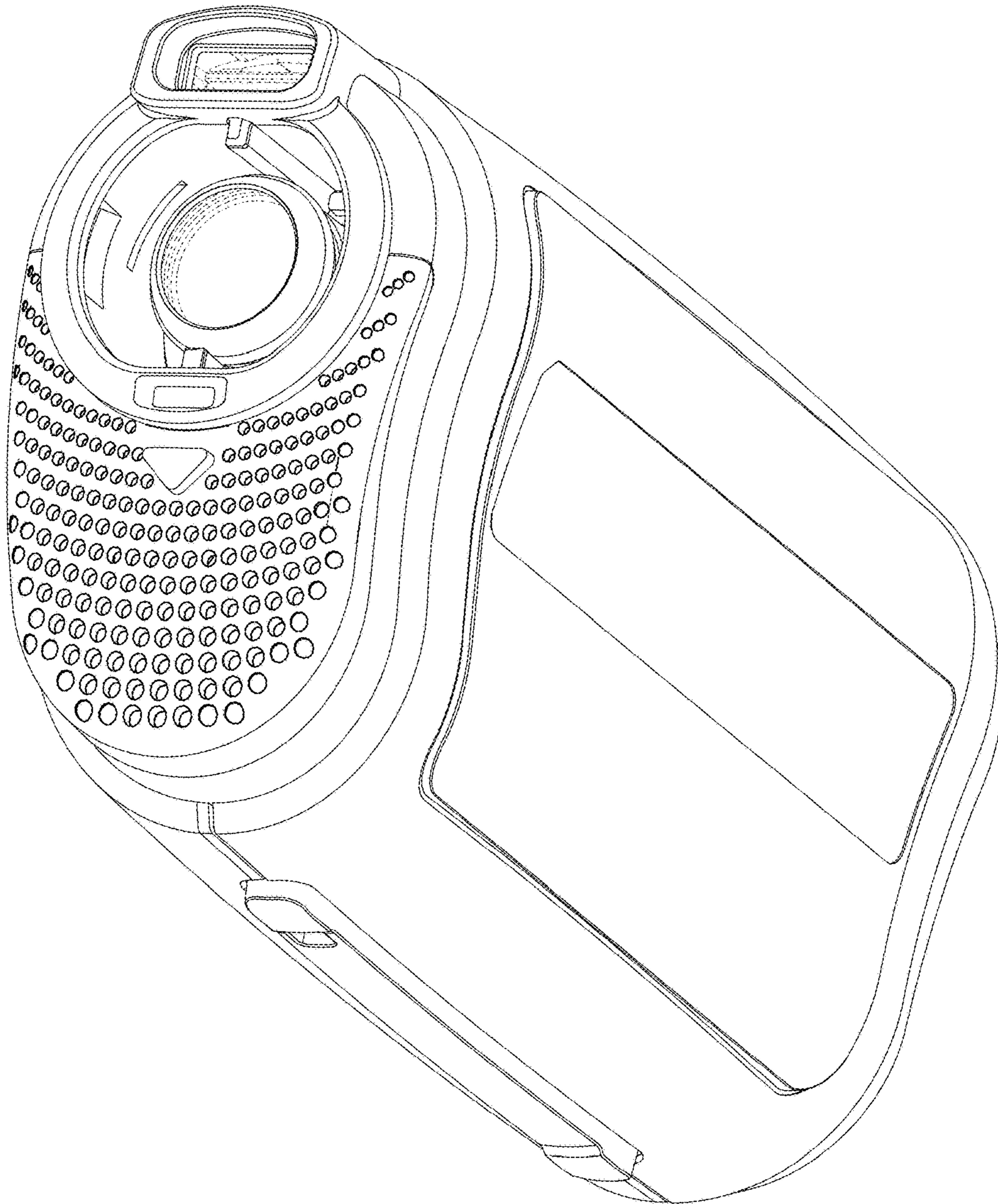


Fig. 16