



US00D844786S

(12) **United States Design Patent** (10) **Patent No.:** **US D844,786 S**
Personnelli et al. (45) **Date of Patent:** **** Apr. 2, 2019**

(54) **MRI HEAD COIL APPARATUS**
(71) Applicant: **GENERAL ELECTRIC COMPANY**,
Schenectady, NY (US)
(72) Inventors: **Regis Gerard Personnelli**, Bois d'Arcy
(FR); **Yun-Jeong Stickle**, Aurora, OH
(US); **Balint Franko**, Aurora, OH (US);
Sarah Tenley, Cleveland Heights, OH
(US); **Clyve Konrad Rosales Follante**,
Aurora, OH (US)
(73) Assignee: **General Electric Company**,
Schenectady, NY (US)

D592,751 S * 5/2009 Ninomiya D24/158
D742,012 S * 10/2015 Sul D24/158
D742,519 S * 11/2015 Sul D24/158
D742,523 S * 11/2015 Sul D24/158
D748,797 S * 2/2016 Patil D24/158
D787,064 S * 5/2017 Sul D24/158
2013/0131498 A1* 5/2013 Taracila G01R 33/34084
600/422
2013/0317346 A1* 11/2013 Alagappan G01R 33/34046
600/415
2015/0065852 A1* 3/2015 Driemel A61B 5/055
600/410
2017/0082705 A1* 3/2017 Hou G01R 33/34007
2017/0168124 A1* 6/2017 Ueda A61B 5/0035

* cited by examiner

(**) Term: **15 Years**

Primary Examiner — Anhdao Doan

(21) Appl. No.: **29/632,009**

(74) *Attorney, Agent, or Firm* — McCoy Russell LLP

(22) Filed: **Jan. 4, 2018**

(57) **CLAIM**

Related U.S. Application Data

The ornamental design for a MRI head coil apparatus, as shown and described.

(62) Division of application No. 29/585,537, filed on Nov. 25, 2016.

(51) **LOC (11) Cl.** **24-01**

DESCRIPTION

(52) **U.S. Cl.**

USPC **D24/158**

(58) **Field of Classification Search**

USPC D24/107, 158–161, 185, 186, 187, 231

CPC A61B 5/0042; A61B 5/055; A61B 6/03;

A61B 6/035; G01R 33/283; G01R

33/4806; G01R 33/4812; G03B 21/145;

G03B 21/30; G03B 21/54; G03B 21/585

See application file for complete search history.

FIG. 1 is a perspective view of a MRI head coil apparatus showing our new design;
FIG. 2 is a front elevation view thereof;
FIG. 3 is a rear elevation view thereof;
FIG. 4 is a side elevation view thereof;
FIG. 5 is an opposite side elevation view thereof;
FIG. 6 is a top plan view thereof;
FIG. 7 is a bottom plan view thereof; and,
FIG. 8 is a top perspective view thereof.

(56) **References Cited**

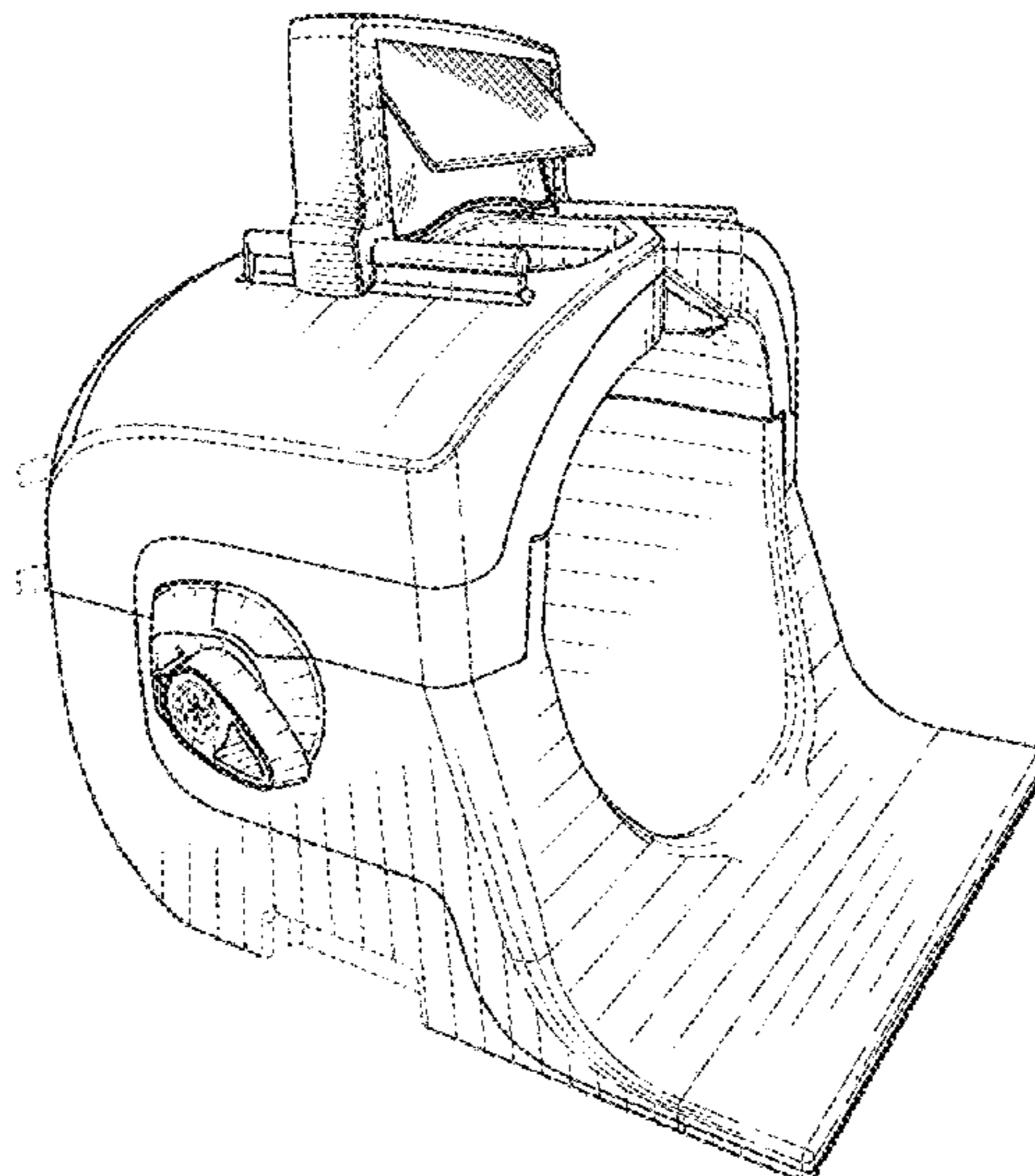
U.S. PATENT DOCUMENTS

5,221,902 A * 6/1993 Jones G01R 33/34061
324/318

6,313,633 B1 * 11/2001 Boskamp G01R 33/34053
324/318

The broken lines immediately adjacent the shaded areas represent the bounds of the claim, while all other broken lines are directed to environment and are for illustrative purposes only; the broken lines form no part of the claimed design.

1 Claim, 5 Drawing Sheets



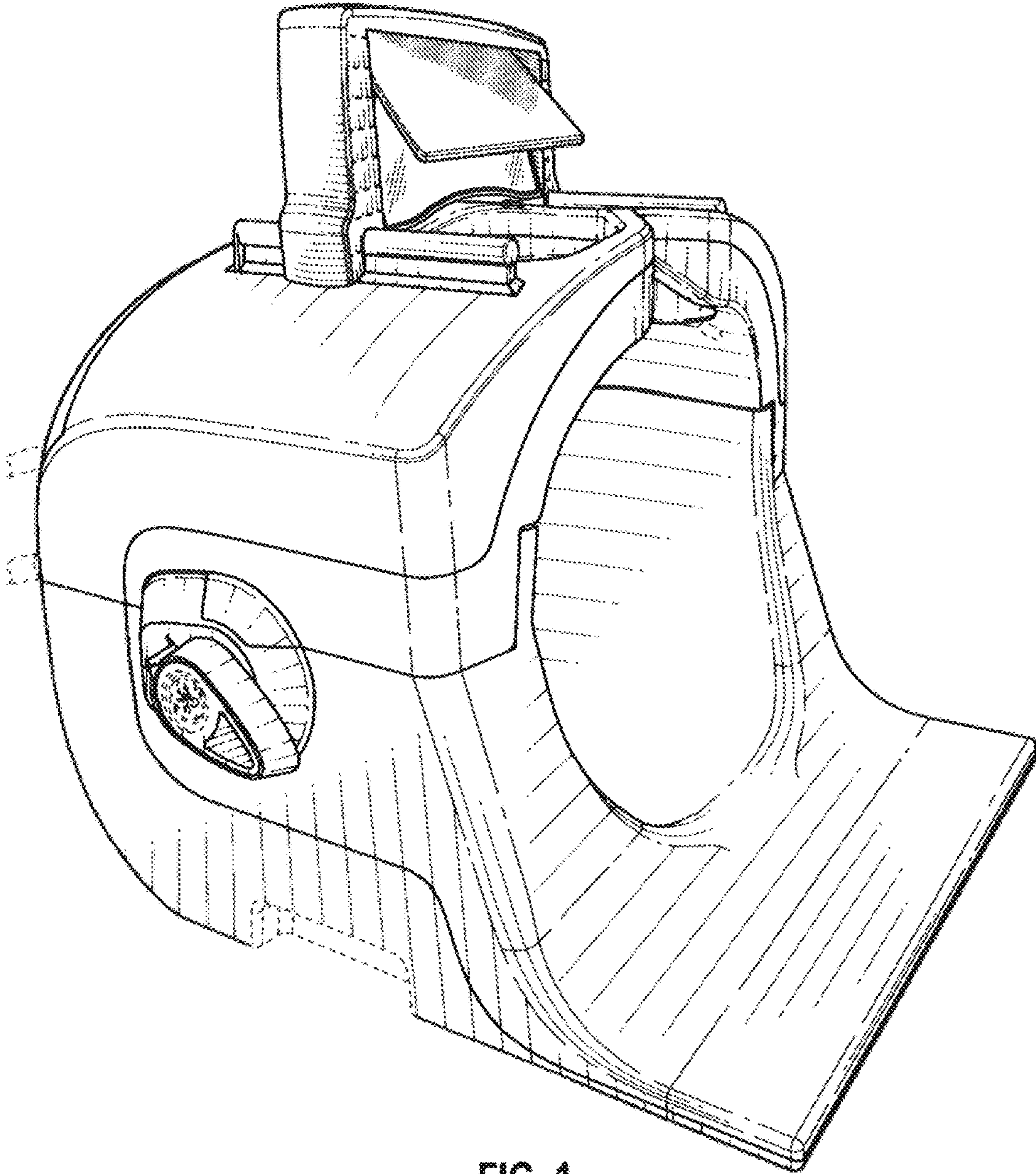


FIG. 1

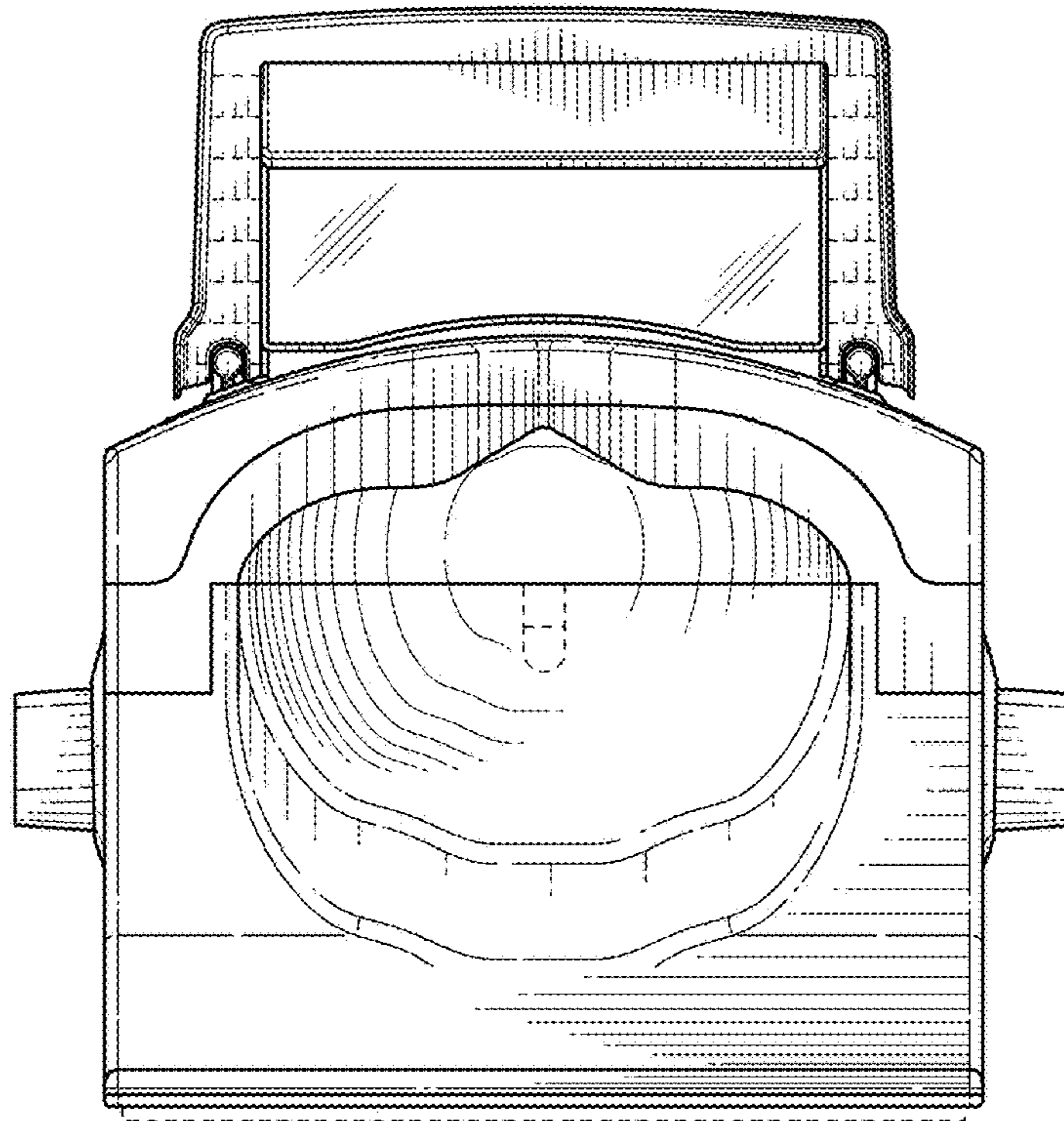


FIG. 2

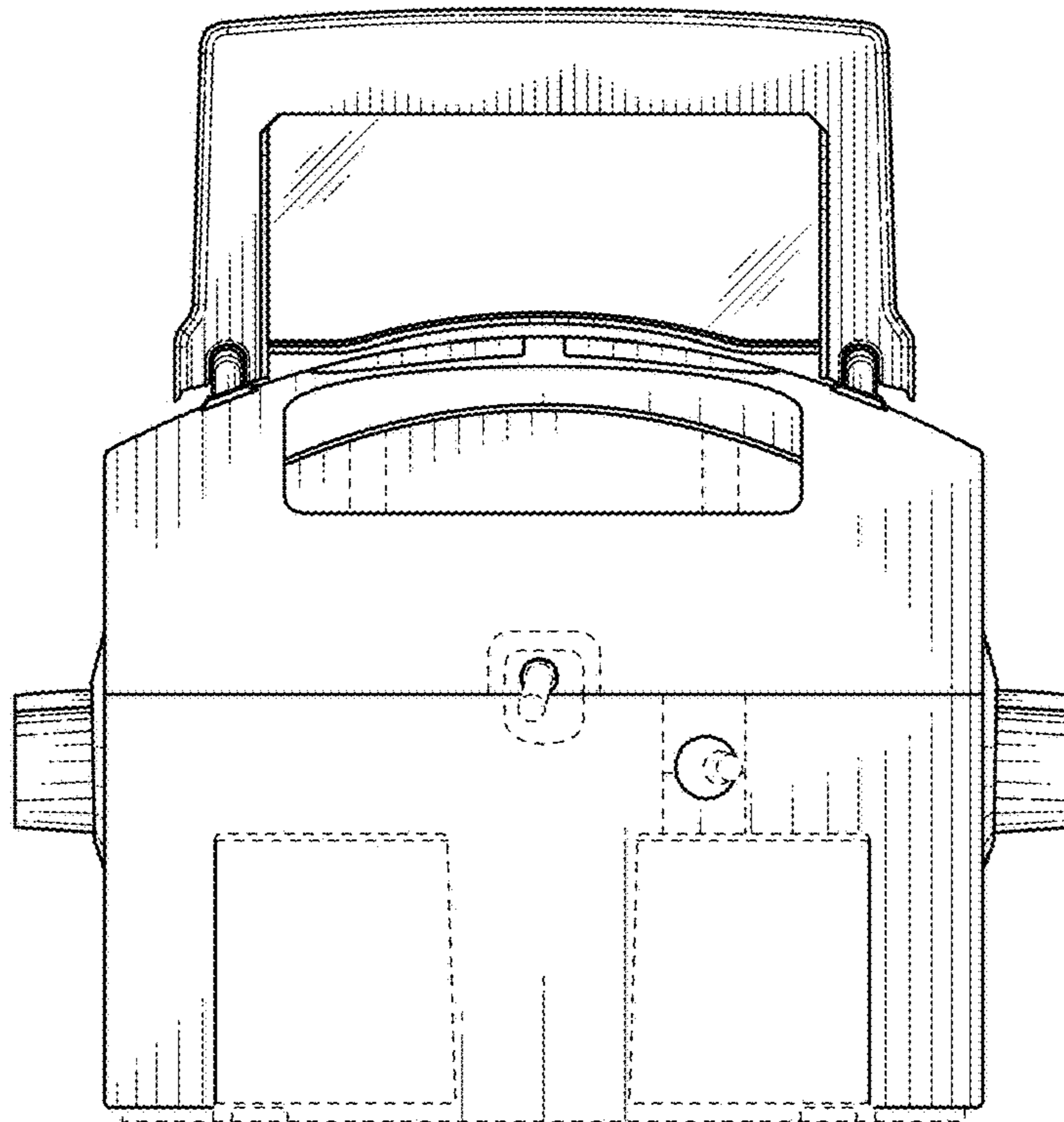


FIG. 3

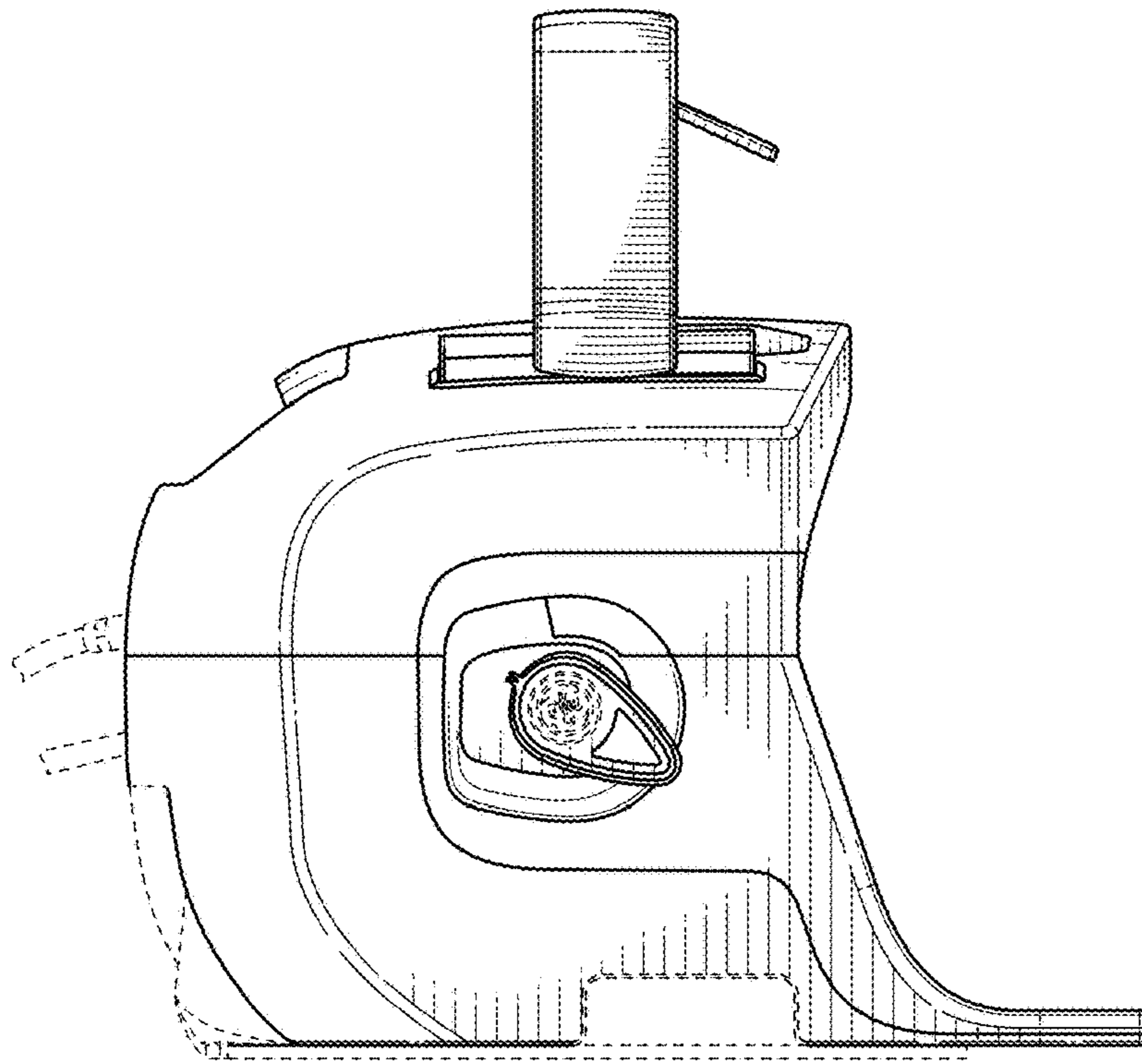


FIG. 4

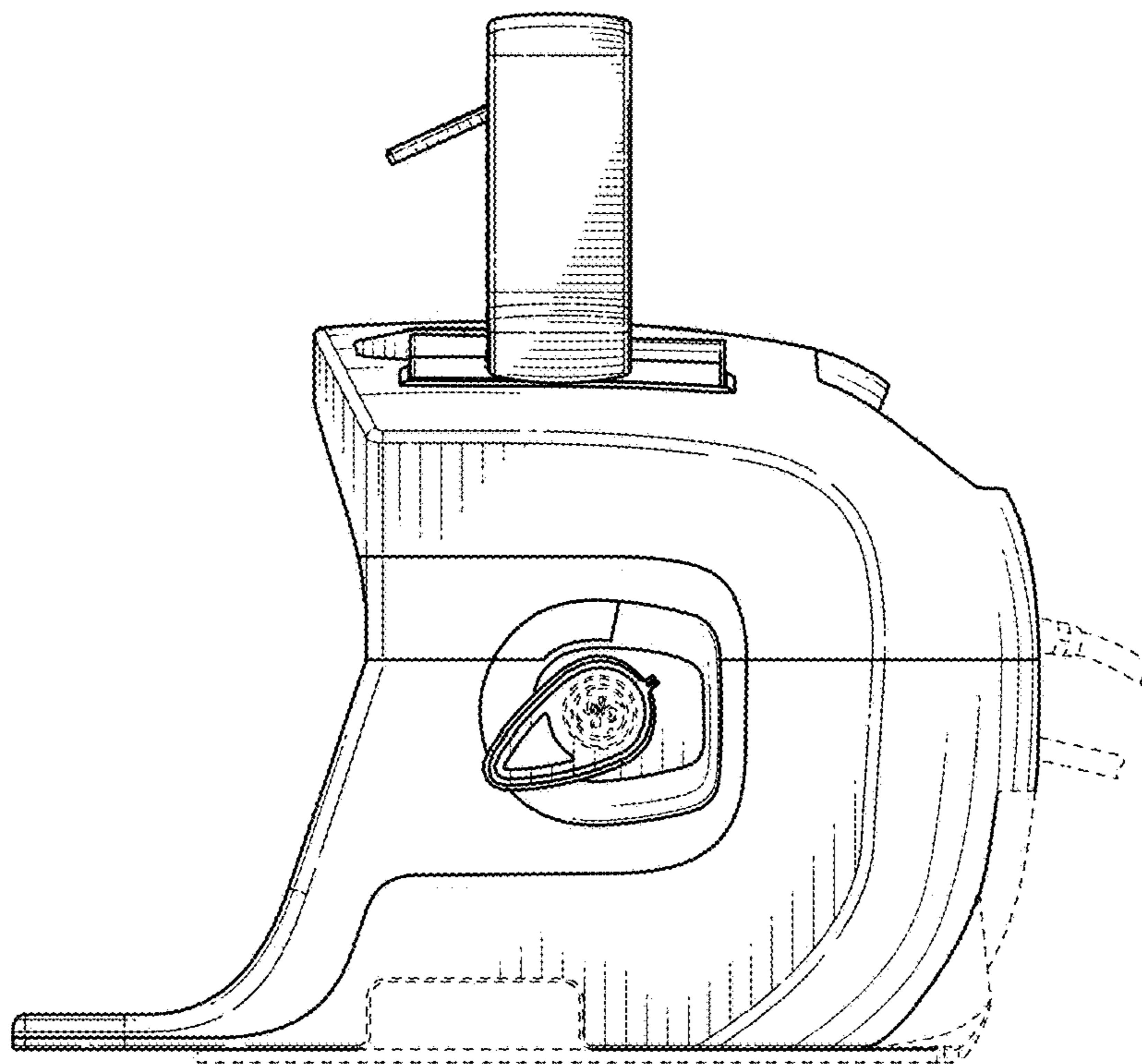


FIG. 5

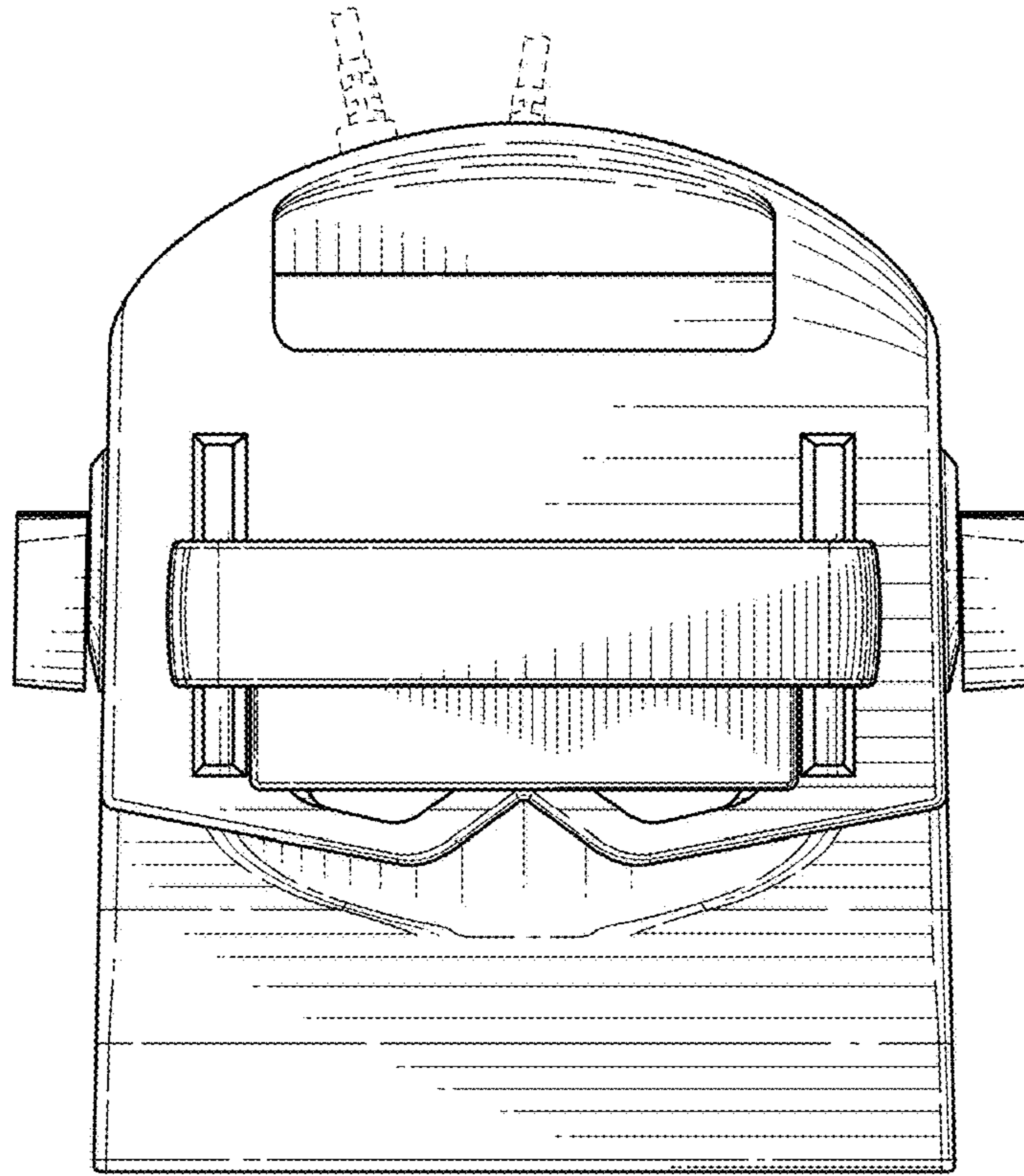


FIG. 6

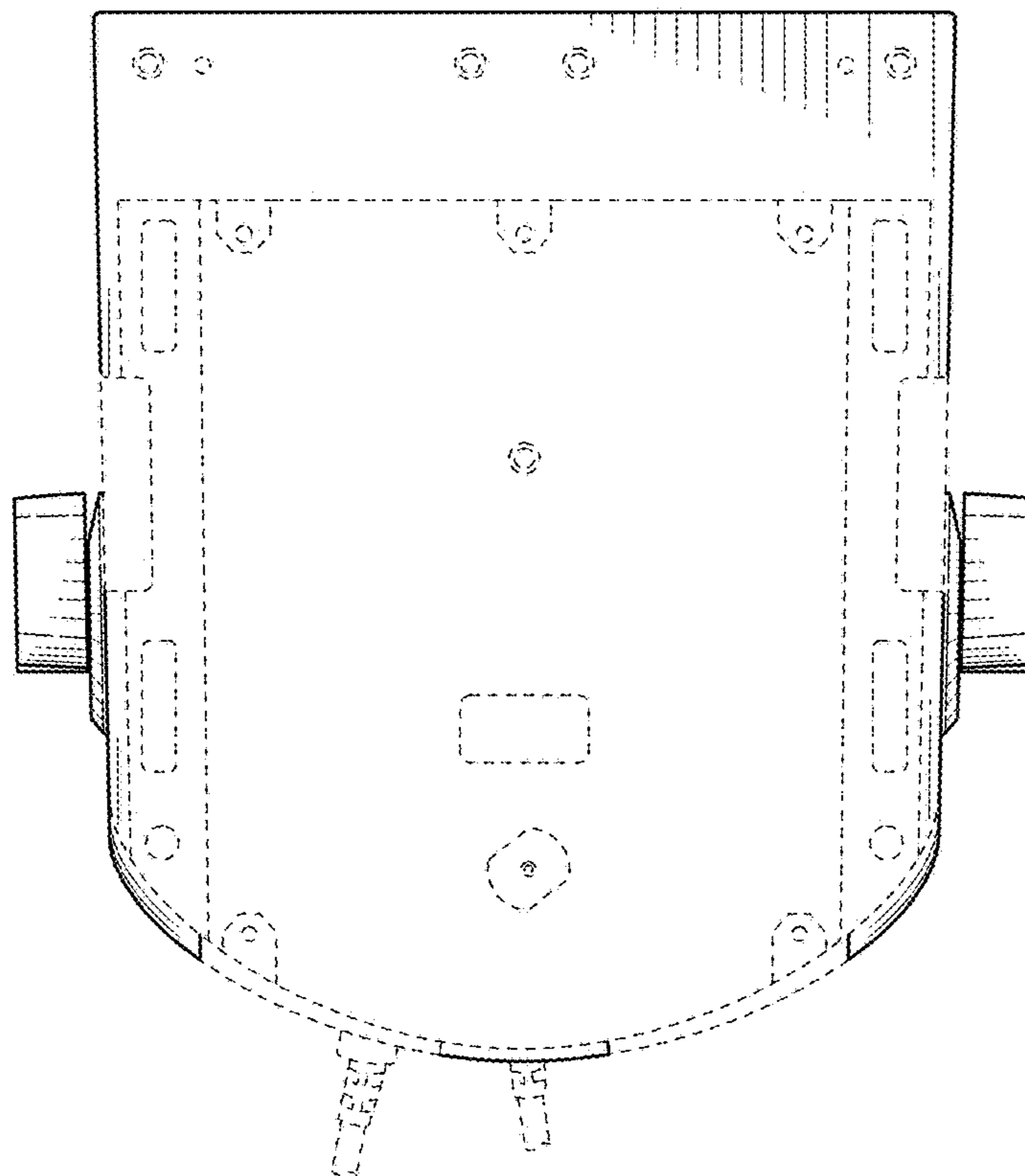


FIG. 7

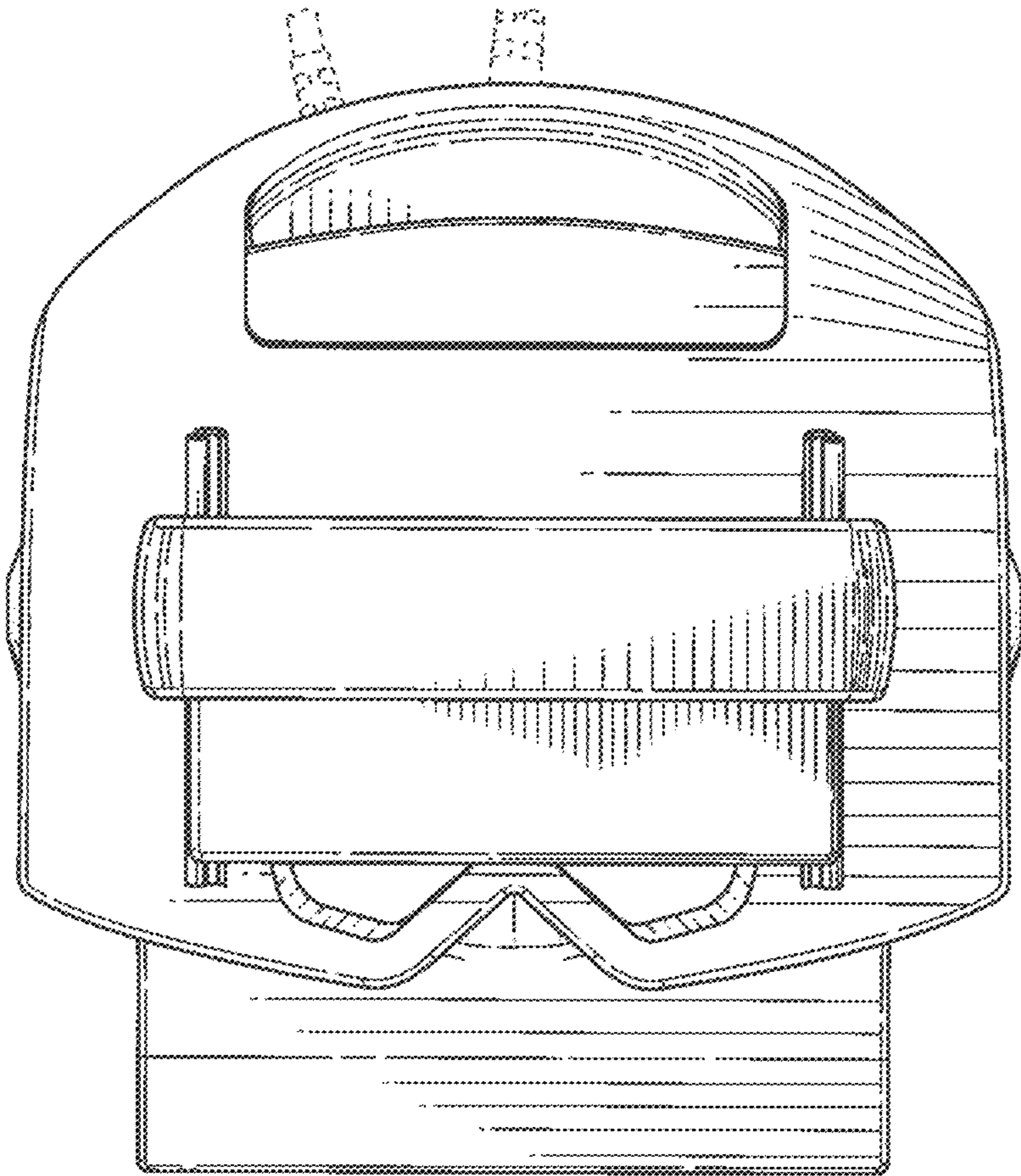


FIG. 8