



US00D844785S

(12) **United States Design Patent** (10) **Patent No.:** **US D844,785 S**
Dayton et al. (45) **Date of Patent:** **** Apr. 2, 2019**

(54) **X-RAY GENERATOR TUBE FOR A MEDICAL IMAGING DEVICE**

2014/0362969 A1* 12/2014 Hockersmith A61B 6/4021 378/4

* cited by examiner

(71) Applicant: **General Electric Company**, Schenectady, NY (US)

Primary Examiner — Anhdao Doan

(74) *Attorney, Agent, or Firm* — McCoy Russell LLP

(72) Inventors: **Kenwood P. Dayton**, Mequon, WI (US); **Brandon Smith**, Waukesha, WI (US); **Chad Smith**, Franklin, WI (US); **Edward Emaci**, Brookfield, WI (US); **Alex Ryan**, Milwaukee, WI (US); **Mike Hebert**, Muskego, WI (US)

(57) **CLAIM**

The ornamental design for an X-ray generator tube for a medical imaging device, as shown and described.

DESCRIPTION

(73) Assignee: **General Electric Company**, Schenectady, NY (US)

FIG. 1 is a front view of X-ray generator tube for a medical imaging device, according to the present invention.

FIG. 2 is a rear view of the X-ray generator tube for a medical imaging device.

FIG. 3 is a bottom view of the X-ray generator tube for a medical imaging device.

FIG. 4 is a top view of the X-ray generator tube for a medical imaging device.

FIG. 5 is a right side view of the X-ray generator tube for a medical imaging device.

FIG. 6 is a left side view of the X-ray generator tube for a medical imaging device.

FIG. 7 is a left top and rear perspective view of the X-ray generator tube for a medical imaging device.

FIG. 8 is a left top and front perspective view of the X-ray generator tube for a medical imaging device.

FIG. 9 is a right and rear perspective view of the X-ray generator tube for a medical imaging device; and,

FIG. 10 is an enlarged partial rear perspective view of the X-ray generator tube for a medical imaging device.

The broken lines in FIGS. 1-10 are included for the purpose of illustrating environmental structure and form no part of the claimed design. For purposes of clarity, FIG. 10 shows the X-ray generator tube coupled to a computed tomography gantry and positioned immediately next to a high voltage tank. The gantry and the tank are depicted in long and short dashed lines, and are shown for illustrative purposes and form no part of the claimed design.

(**) Term: **15 Years**

(21) Appl. No.: **29/585,484**

(22) Filed: **Nov. 23, 2016**

(51) **LOC (11) Cl.** **24-01**

(52) **U.S. Cl.**
USPC **D24/158**

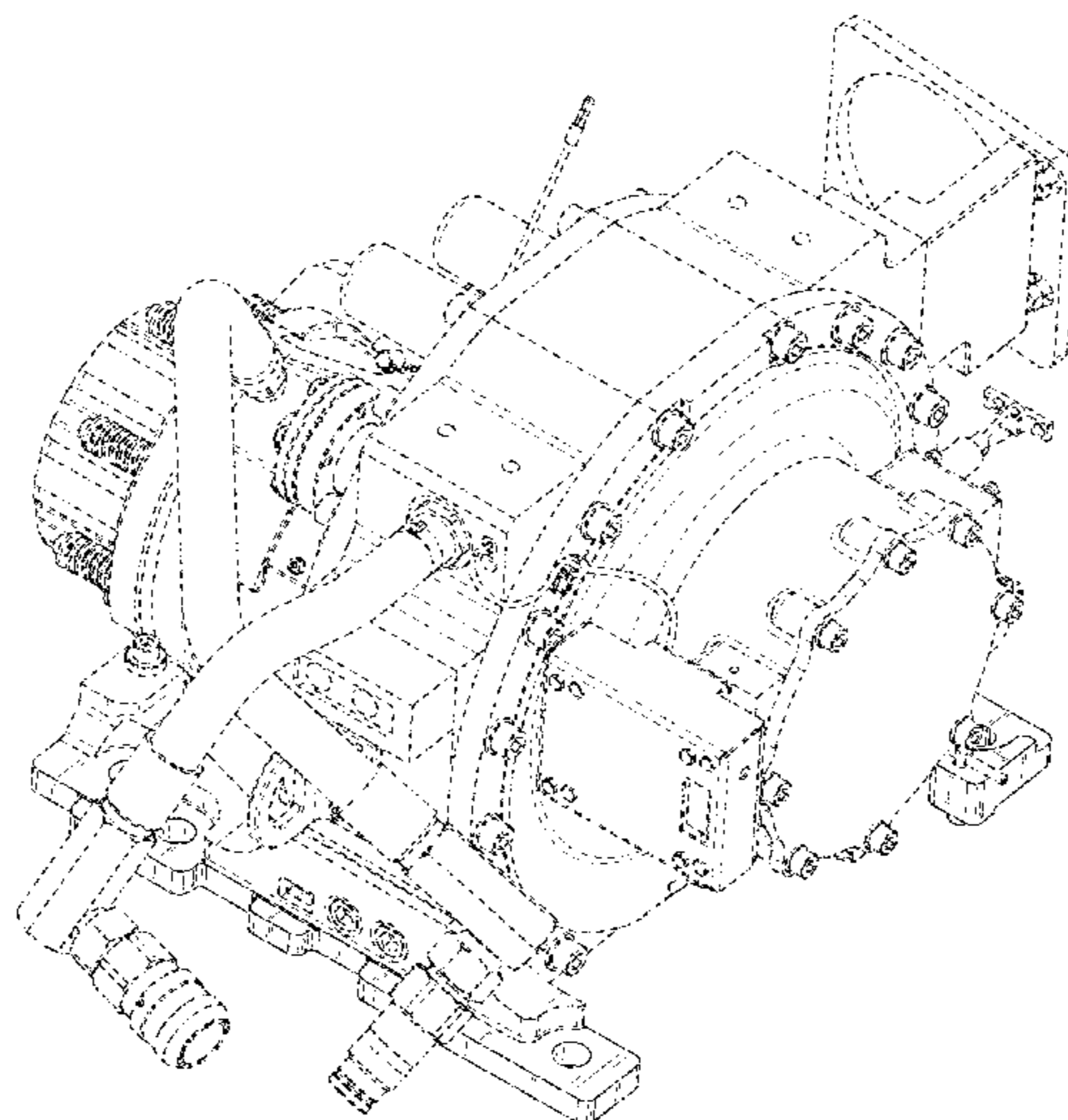
(58) **Field of Classification Search**
USPC D24/158-161, 185, 186, 107
CPC A61N 2005/1061; A61N 5/10; A61N 5/1081; A61N 5/1048; A61N 5/1049
See application file for complete search history.

(56) **References Cited**

U.S. PATENT DOCUMENTS

D726,921 S * 4/2015 Ishihara D24/158
2007/0019783 A1* 1/2007 Hockersmith A61B 6/4429 378/16
2011/0026683 A1* 2/2011 Broad A61N 5/1042 378/152

1 Claim, 10 Drawing Sheets



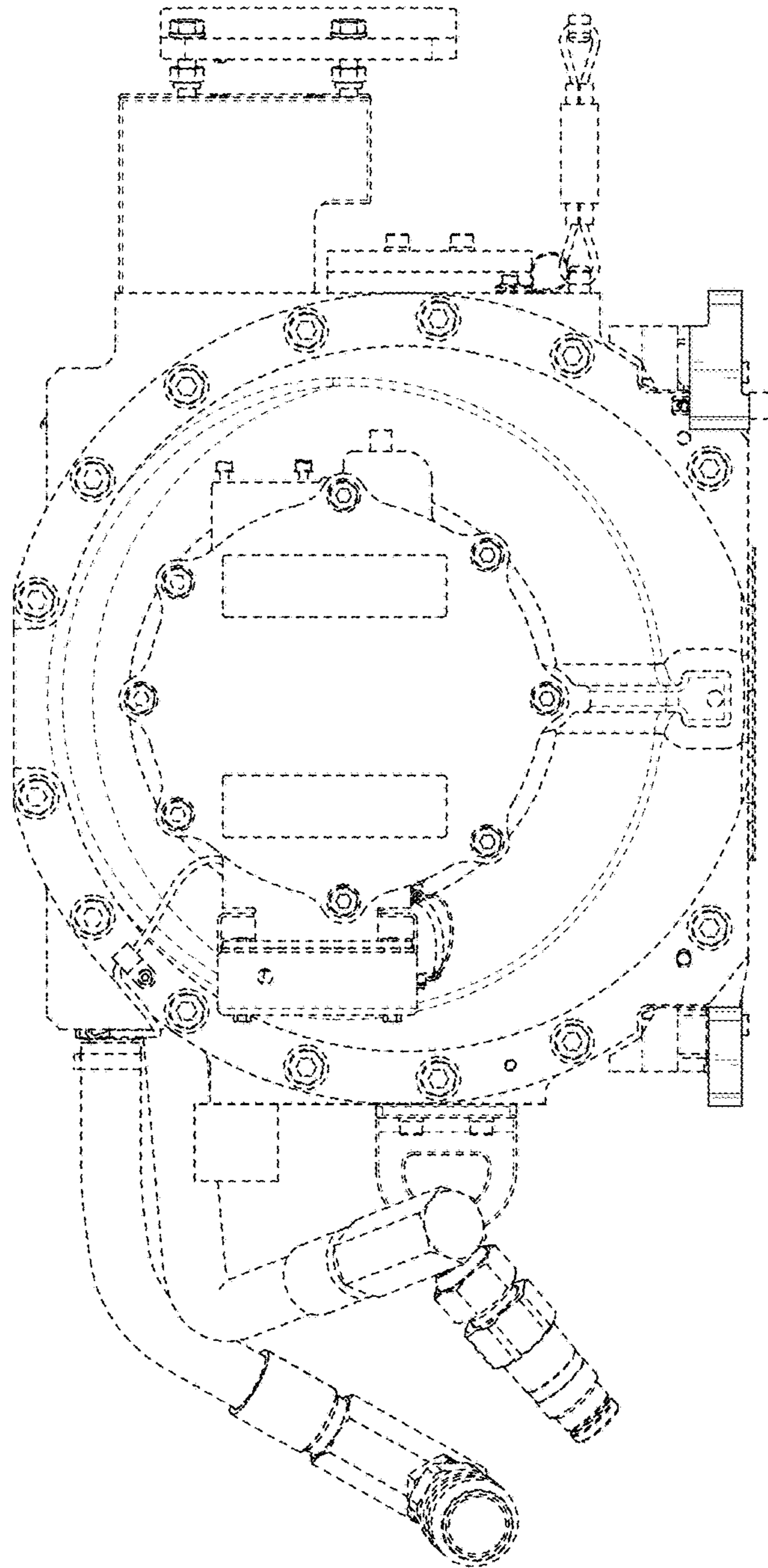


Fig. 1

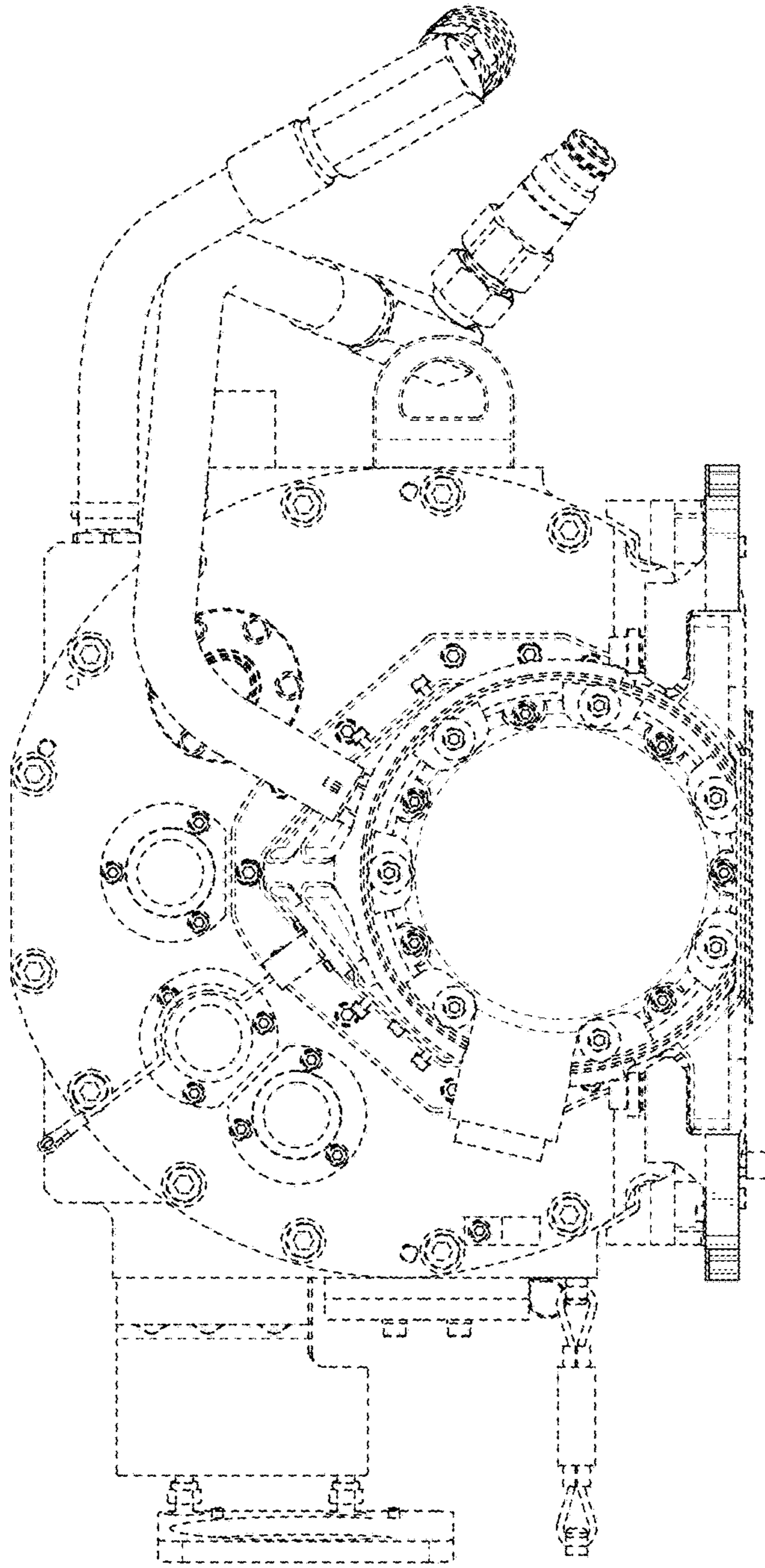


Fig. 2

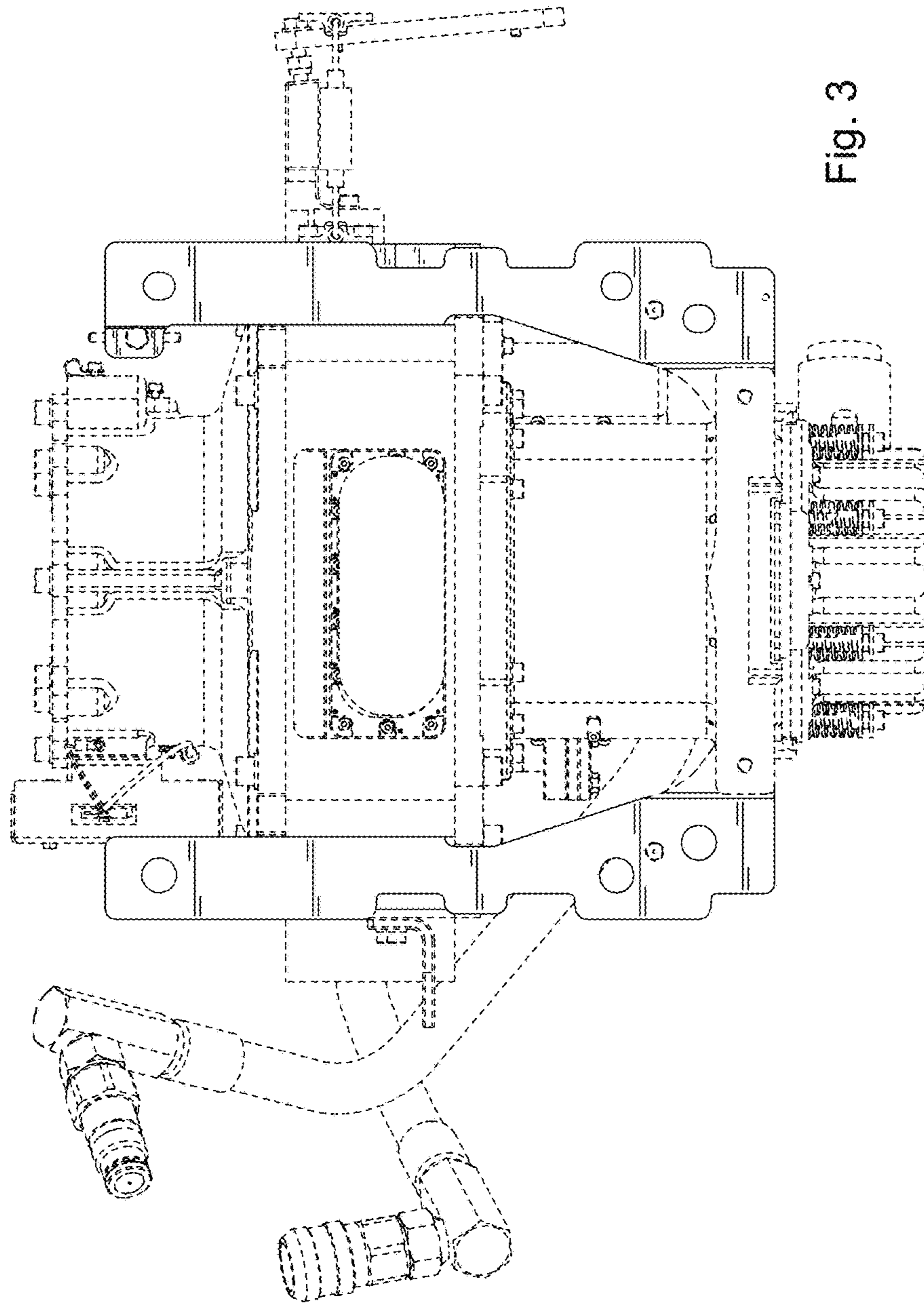


Fig. 3

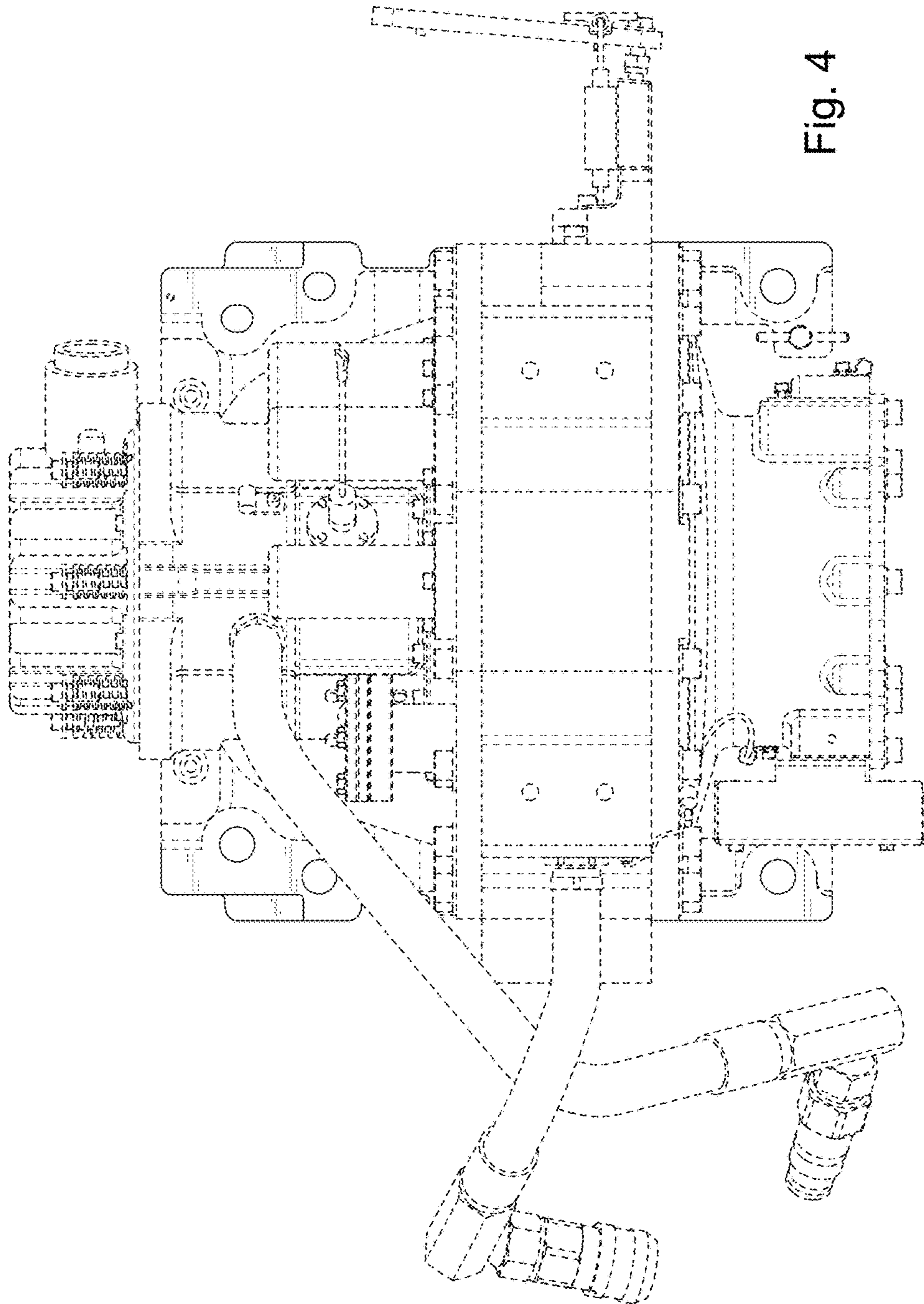


Fig. 4

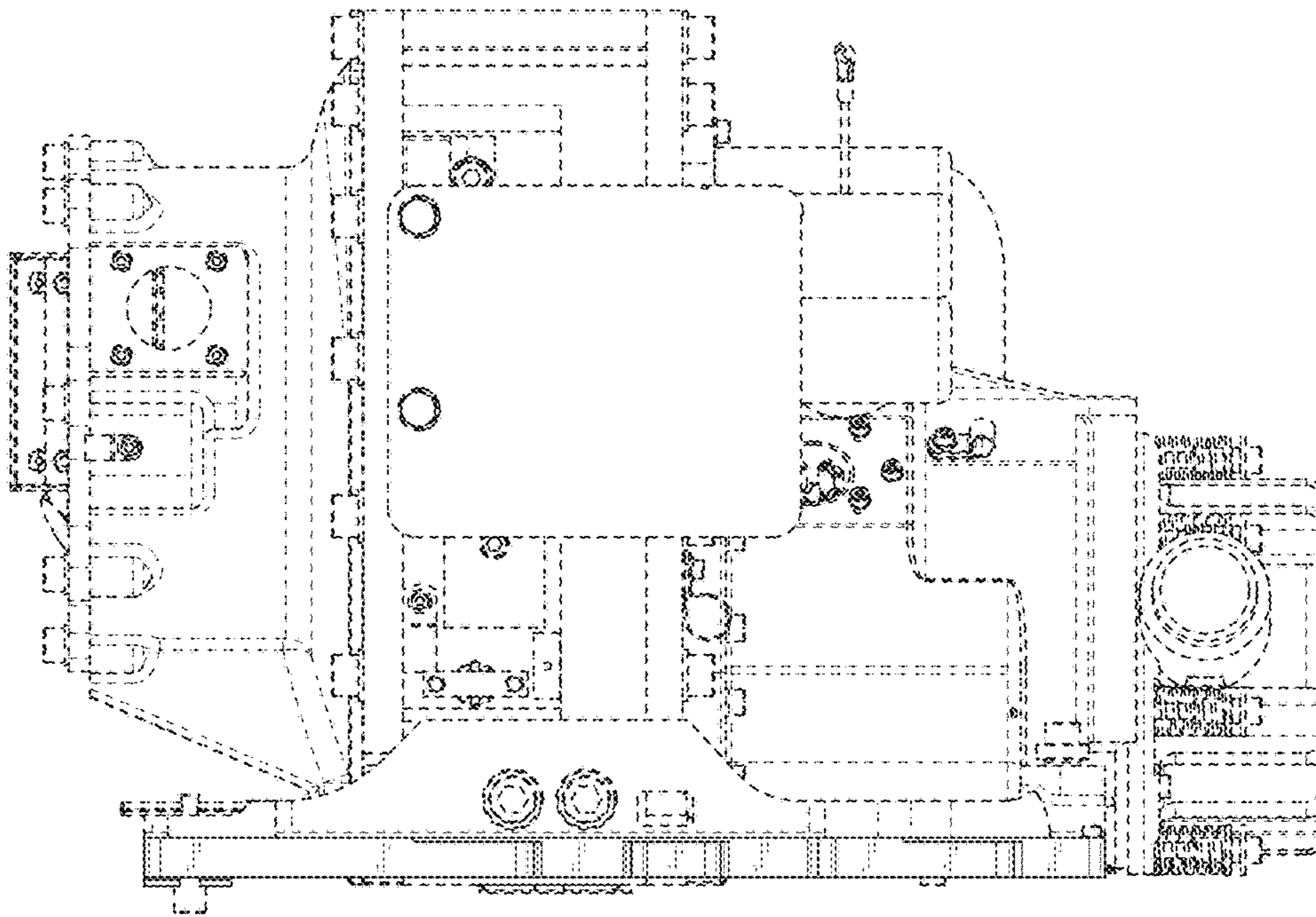


Fig. 5

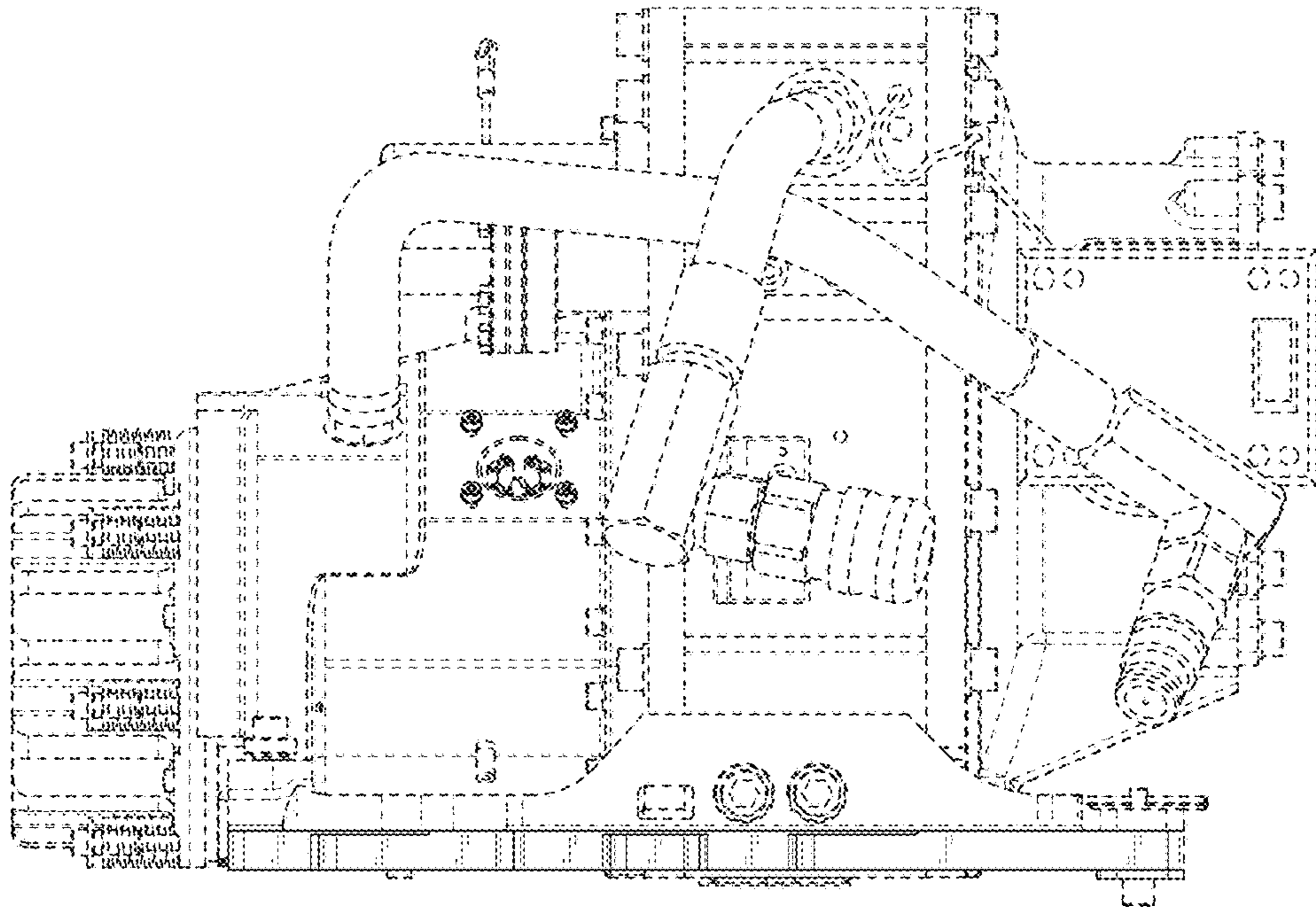


Fig. 6

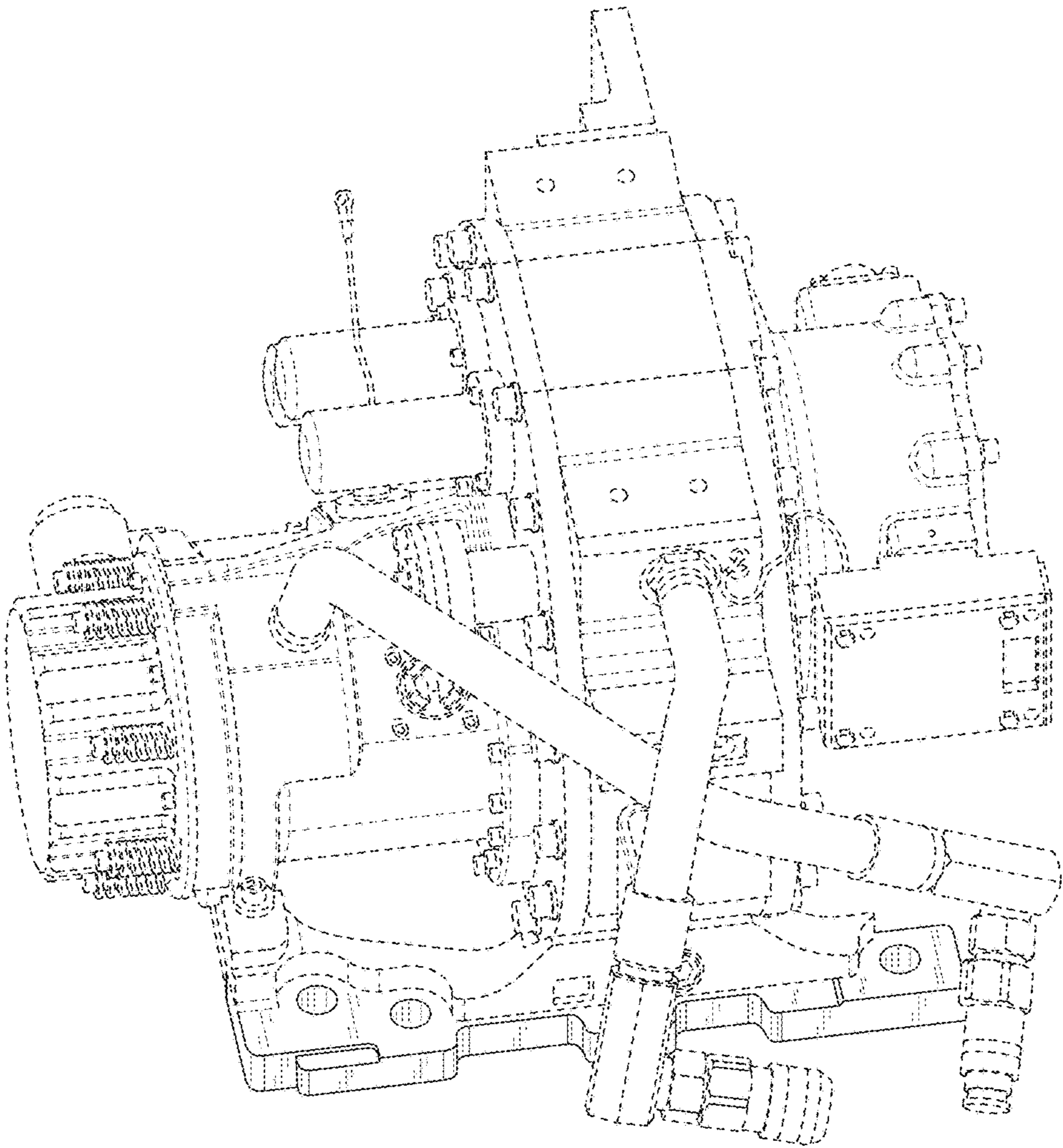


Fig. 7

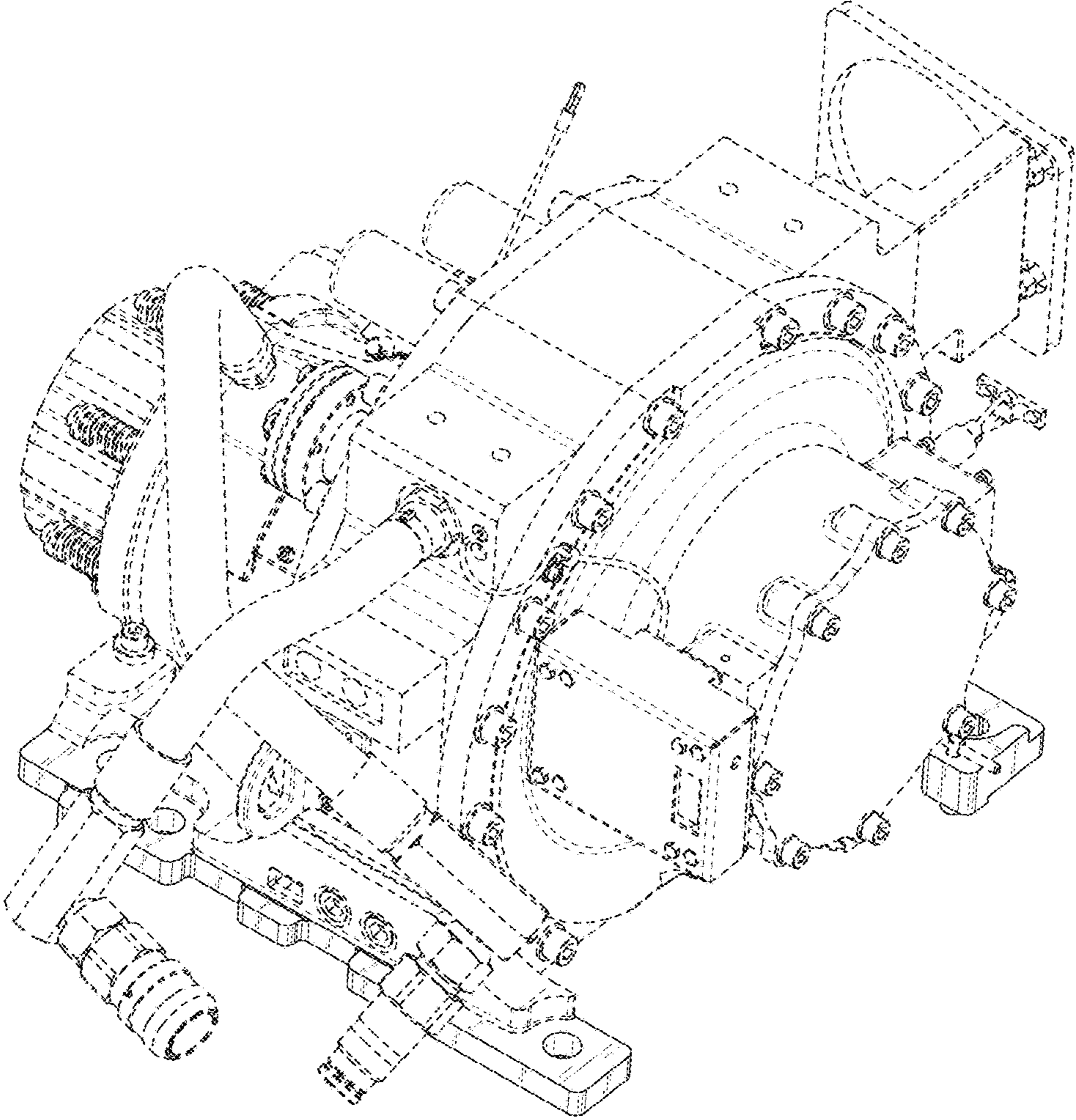


Fig. 8

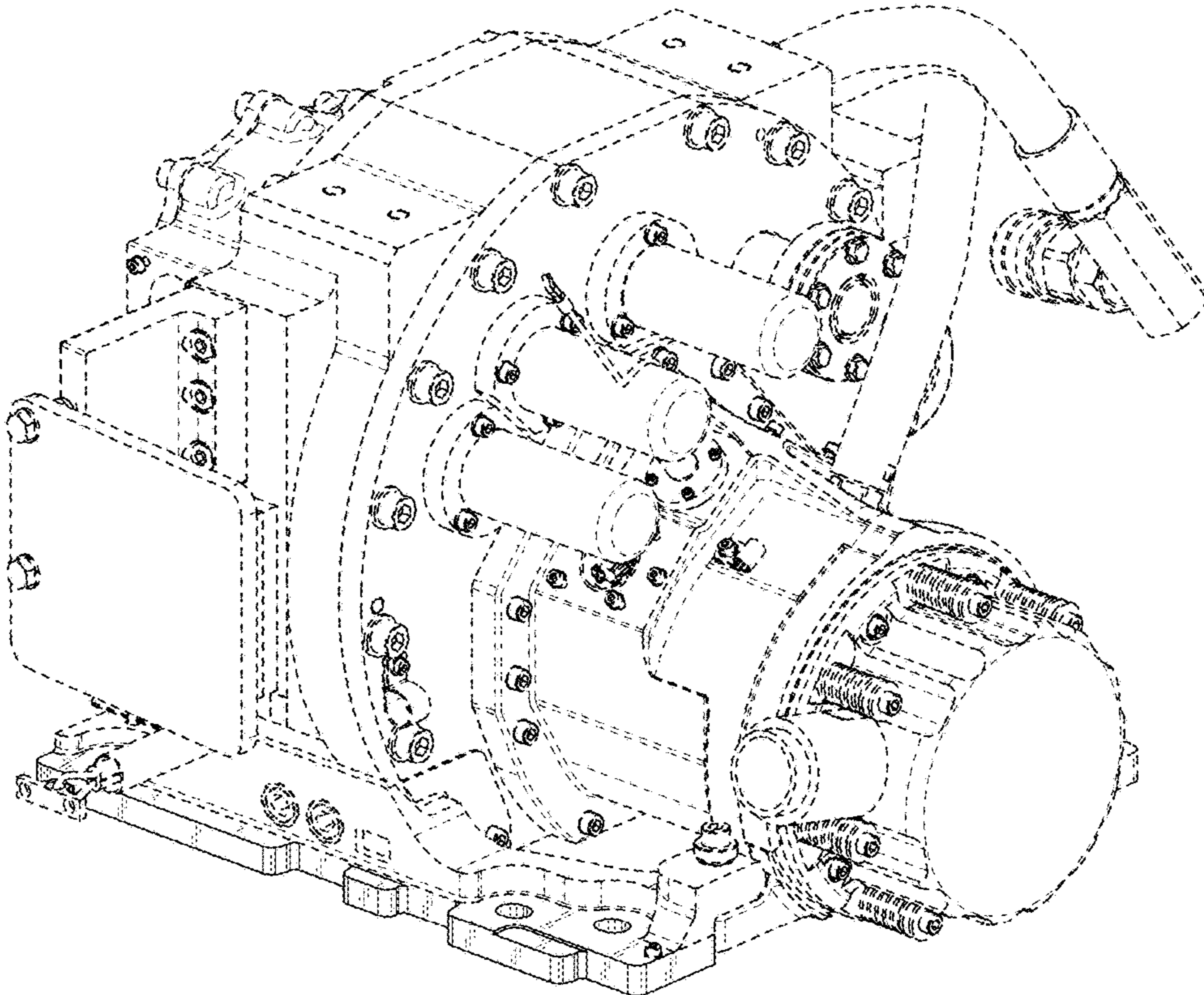


Fig. 9

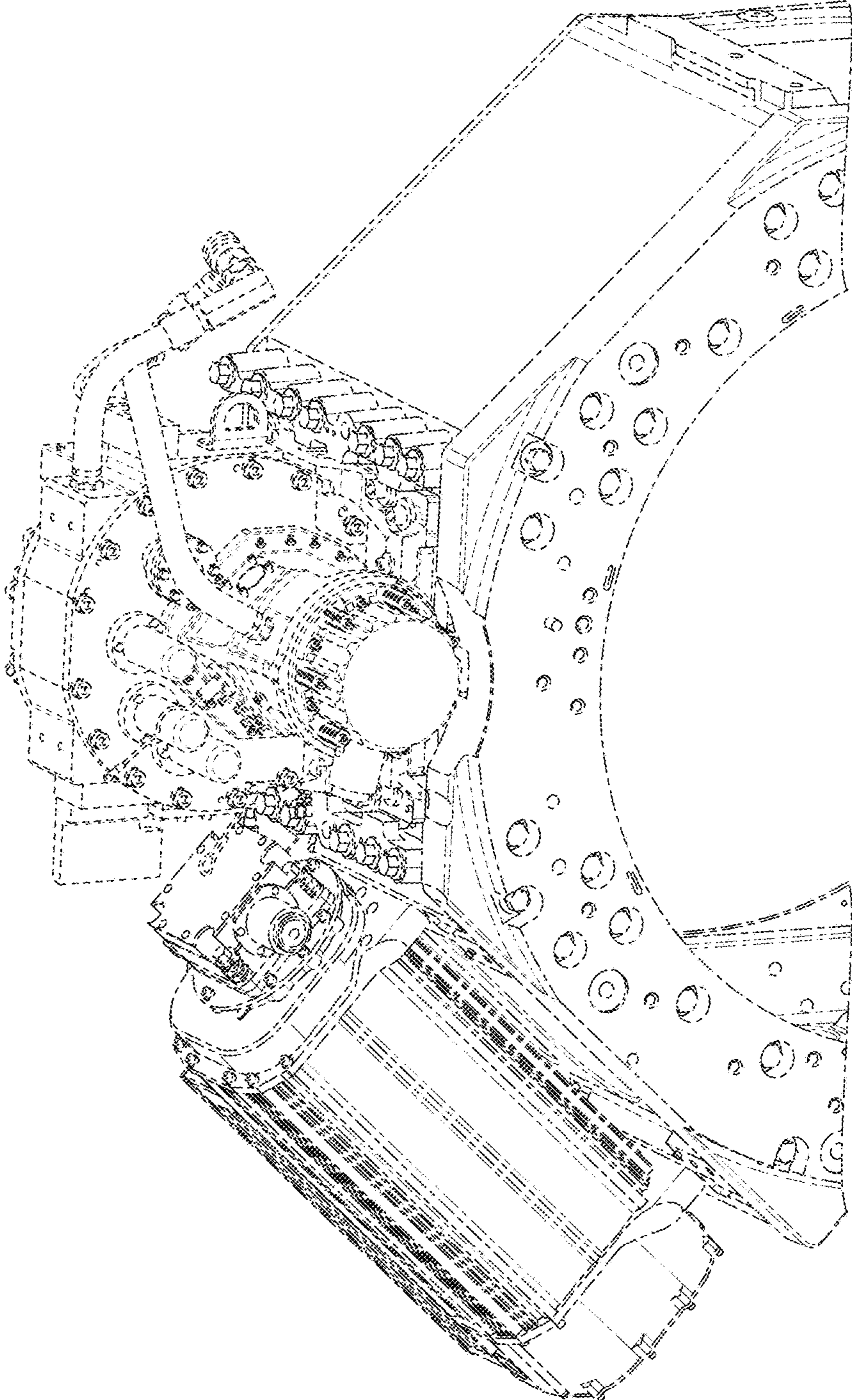


Fig. 10