



US00D844782S

(12) **United States Design Patent**
Arora

(10) **Patent No.:** **US D844,782 S**

(45) **Date of Patent:** **** Apr. 2, 2019**

(54) **SAFETY CLIP FOR HYPODERMIC NEEDLES**

(71) Applicant: **Deepak Chandra Arora**, Haryana (IN)

(72) Inventor: **Deepak Chandra Arora**, Haryana (IN)

(**) Term: **15 Years**

(21) Appl. No.: **29/612,138**

(22) Filed: **Jul. 28, 2017**

(30) **Foreign Application Priority Data**

Jan. 28, 2017 (IN) 290433

(51) **LOC (11) Cl.** **24-02**

(52) **U.S. Cl.**
USPC **D24/130**

(58) **Field of Classification Search**
USPC D24/127-131, 112-114, 133, 186;
606/181, 185; 604/264, 523-528, 272,
604/187, 158, 164.01-164.11, 181, 184,
604/227; 600/101, 139, 143;
128/200.24, 207.14, 207.15
CPC .. A61M 25/065; A61M 5/42; A61M 25/0612;
A61M 25/00; A61M 39/00; A61M 27/00;
A61M 25/0043; A61M 25/0067; A61M
25/0097; A61F 2/958
See application file for complete search history.

(56) **References Cited**

U.S. PATENT DOCUMENTS

D362,064 S * 9/1995 Smick D24/130
D431,650 S * 10/2000 Guala D24/129

D597,666 S * 8/2009 George D24/128
D619,711 S * 7/2010 Lombardo D24/128
7,753,877 B2 * 7/2010 Bialecki A61M 5/3273
604/110
D637,712 S * 5/2011 Chau D24/129
8,152,770 B2 * 4/2012 Reid A61M 5/158
604/164.08
D666,711 S * 9/2012 Baid D24/128
D775,328 S * 12/2016 Bureau D24/128
D783,813 S * 4/2017 Duncan D24/128
D815,735 S * 4/2018 Aliberti D24/128

* cited by examiner

Primary Examiner — David G Muller

(74) *Attorney, Agent, or Firm* — Egbert Law Offices,
PLLC

(57) **CLAIM**

The ornamental design for a safety clip for hypodermic needles, as shown and described.

DESCRIPTION

FIG. 1 is a top view of a safety clip for hypodermic needles showing my new design.

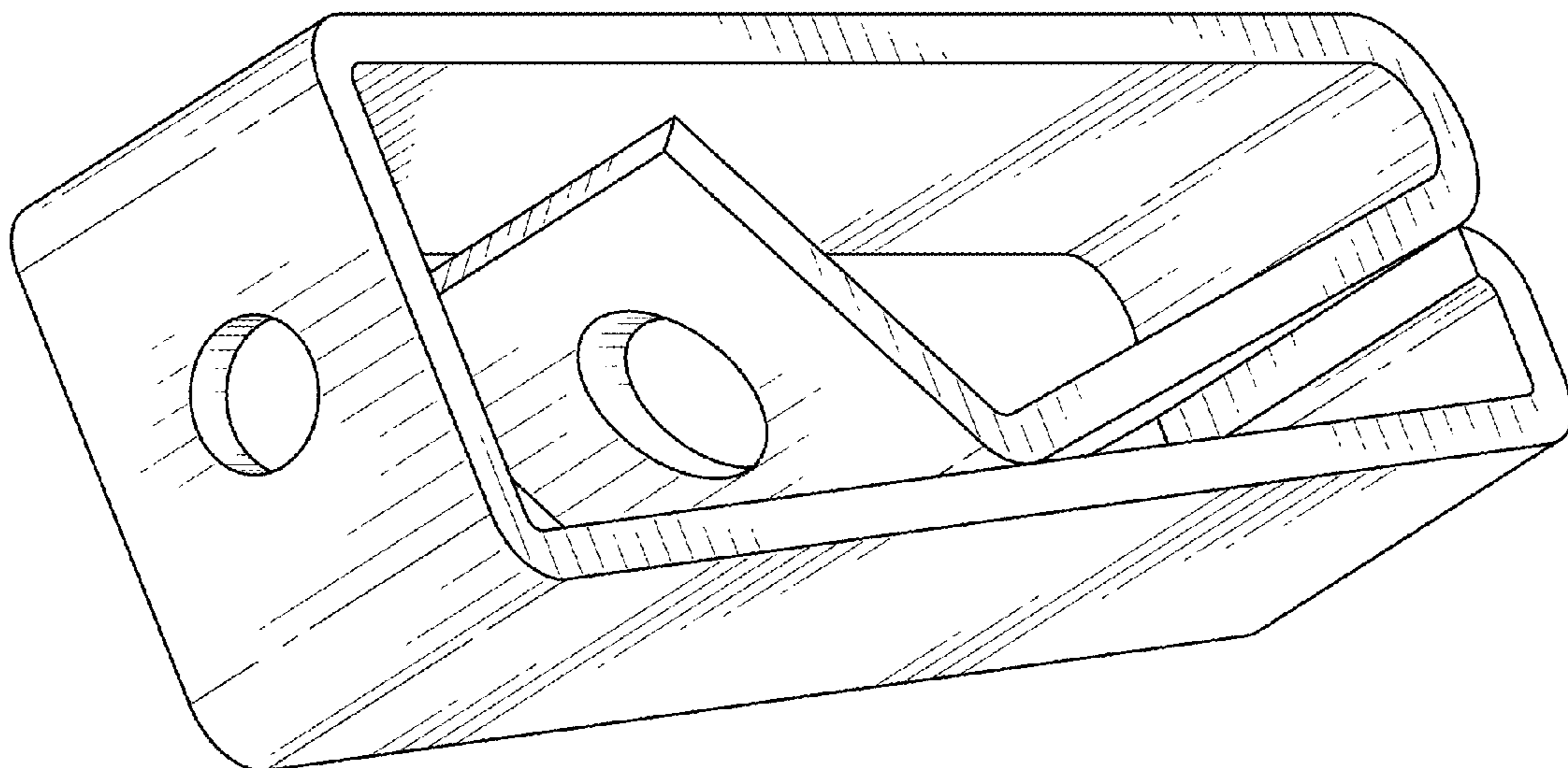
FIG. 2 is a bottom view thereof;

FIG. 3 is a front view thereof, a rear view being a mirror image thereof;

FIG. 4 is a left side view thereof; a right side view being identical; and,

FIG. 5 is a perspective view thereof.

1 Claim, 5 Drawing Sheets



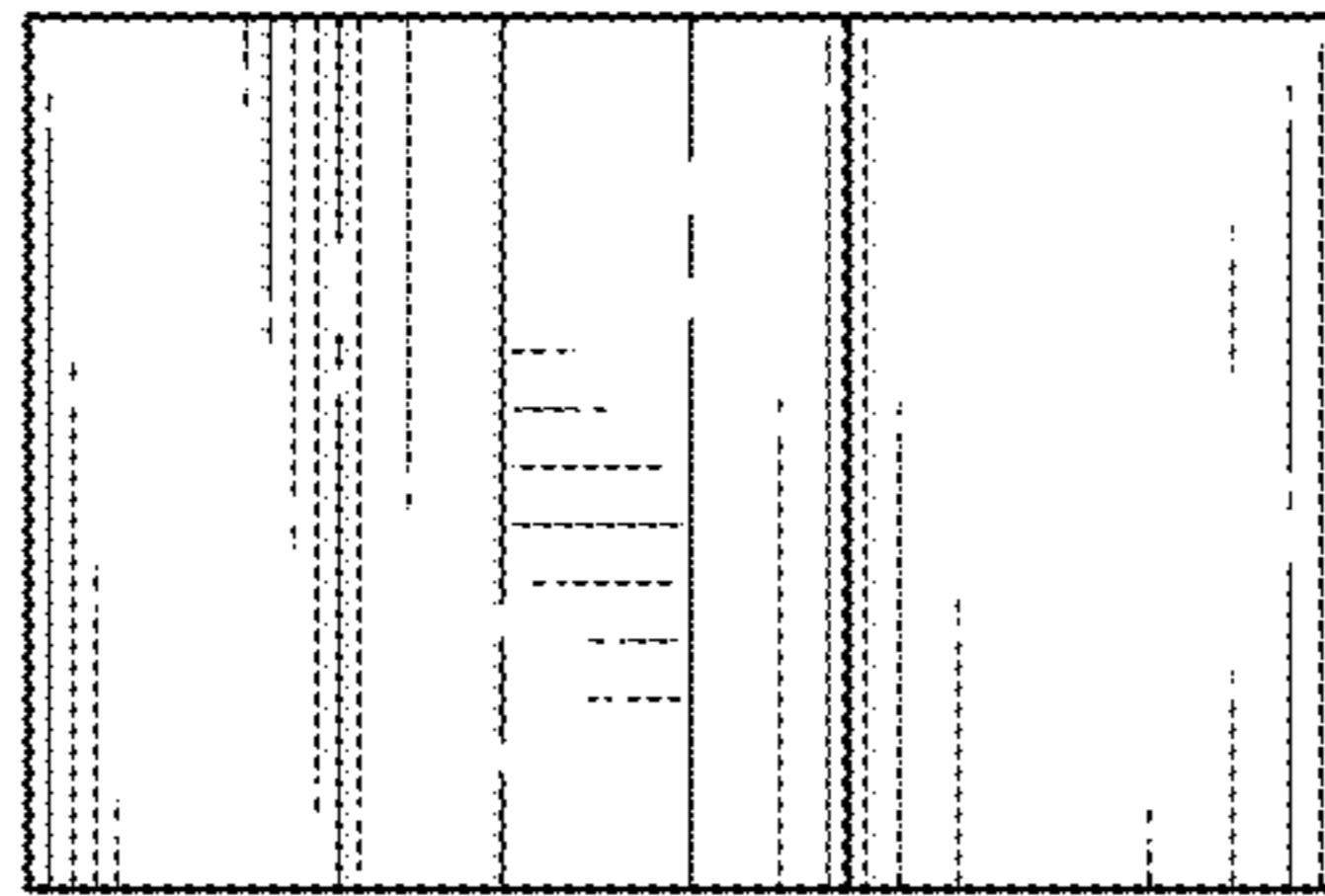


FIG. 1

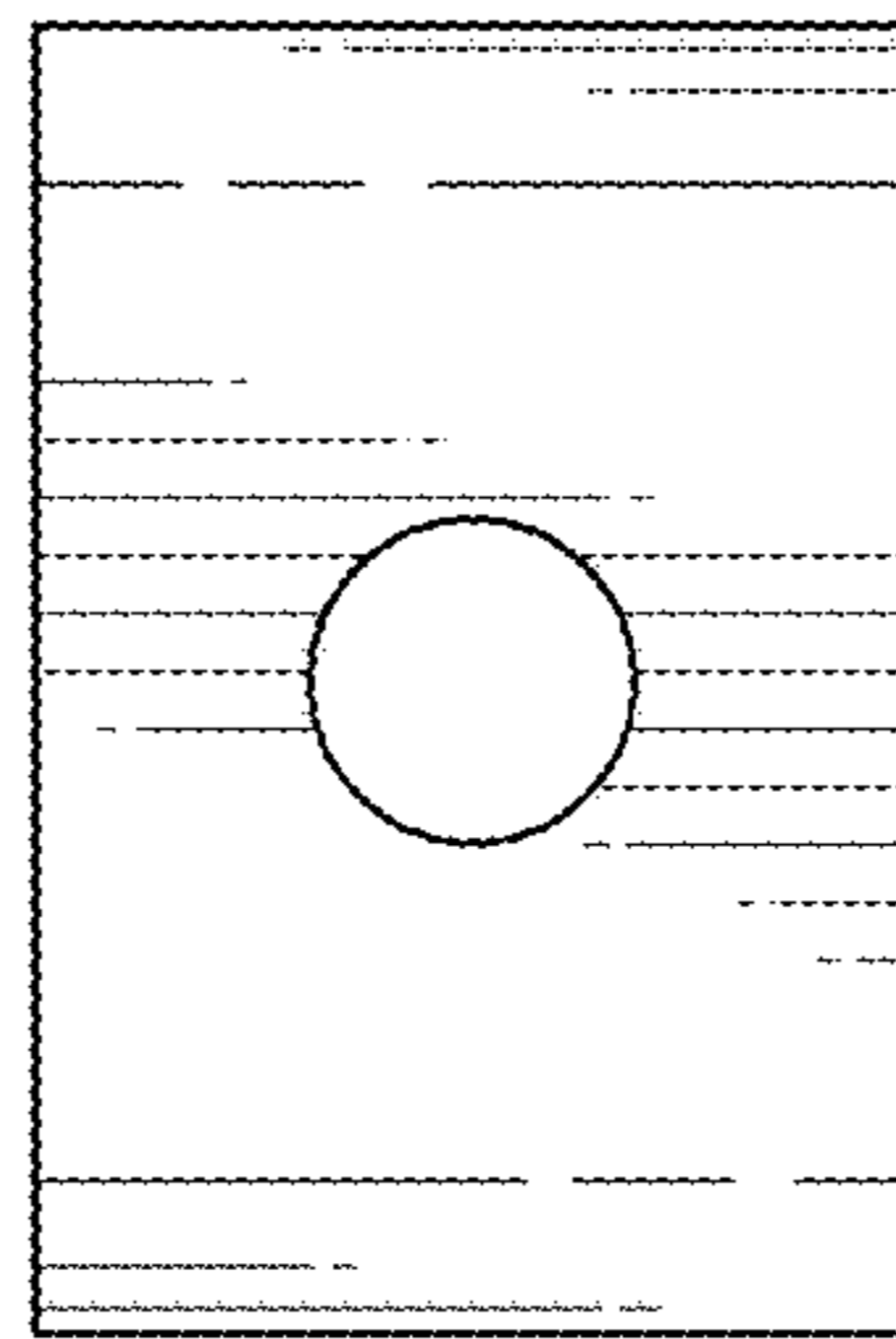


FIG. 2

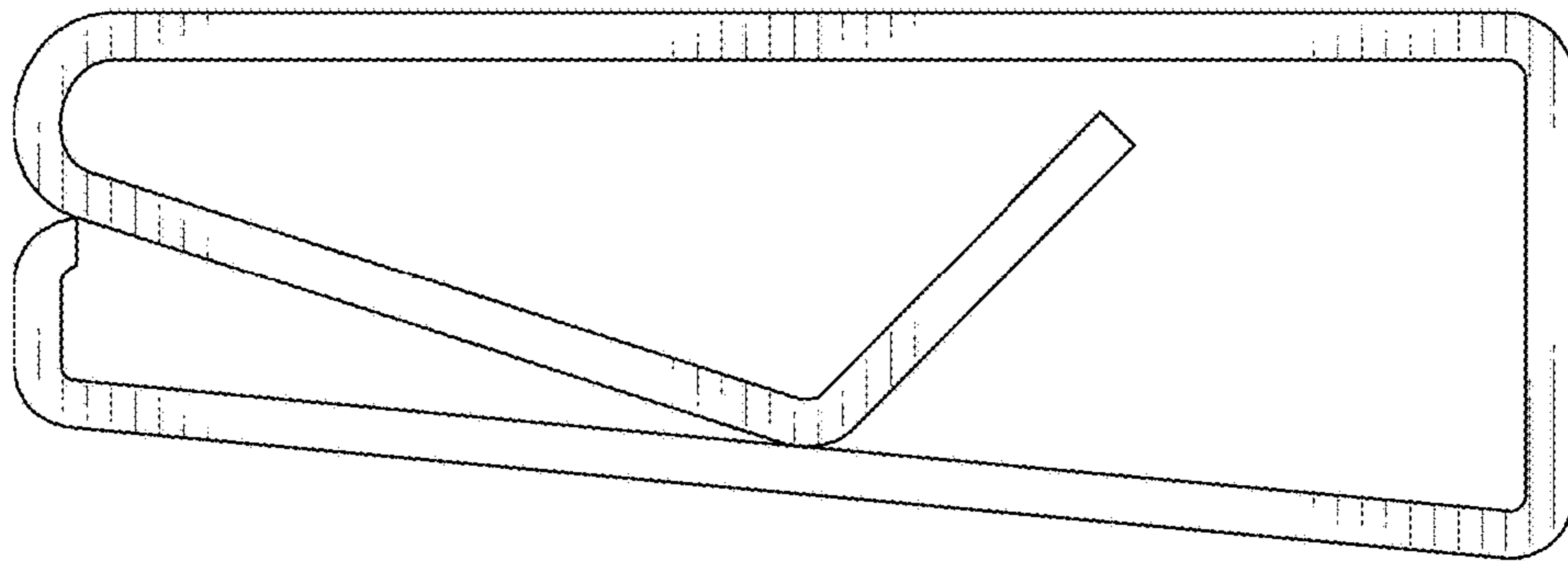


FIG. 3



FIG. 4

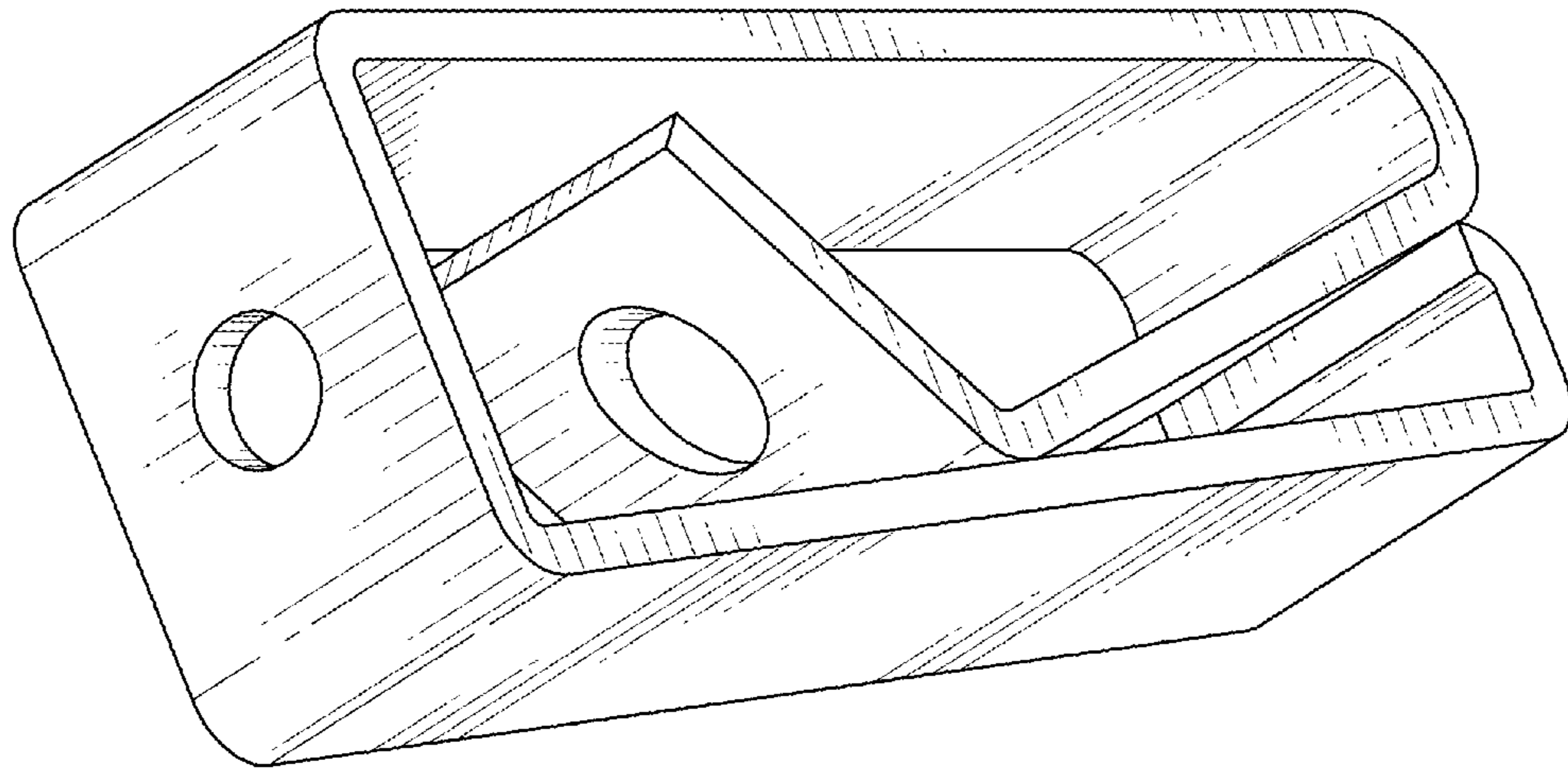


FIG. 5