



US00D844777S

(12) **United States Design Patent**
Combes et al.

(10) **Patent No.:** **US D844,777 S**
(45) **Date of Patent:** **** Apr. 2, 2019**

(54) **SYRINGE**
(71) Applicant: **SOFIC (STE FRANCAISE D'INSTRUMENTS DE CHIRURGIE)**, Mazamet (FR)
(72) Inventors: **Christophe Combes**, Mazamet (FR); **Richard Foulon**, Aussillon (FR)
(73) Assignee: **SOFIC (STE FRANCAISE D'INSTRUMENTS DE CHIRURGIE)**, Mazamet (FR)
(**) Term: **15 Years**
(21) Appl. No.: **29/640,149**
(22) Filed: **Mar. 12, 2018**

(30) **Foreign Application Priority Data**
Sep. 12, 2017 (EM) 004293009-0002
(51) **LOC (11) Cl.** **24-02**
(52) **U.S. Cl.**
USPC **D24/114**
(58) **Field of Classification Search**
USPC D24/112-114, 108, 133, 130, 127, 186;
606/181, 185; 604/264, 272, 187, 181,
604/184, 227
CPC A61M 5/178; A61M 3/00; A61M 5/20;
A61M 5/31; A61M 5/3146; A61M
5/3129; A61M 5/3148; A61M 5/315
See application file for complete search history.

(56) **References Cited**
U.S. PATENT DOCUMENTS
D344,132 S * 2/1994 Schneberger D24/108
D372,089 S * 7/1996 Sheu 604/121
D372,308 S * 7/1996 Stuart 604/523
D412,206 S * 7/1999 Basile D24/130

D511,382 S * 11/2005 Tarumi D24/114
D515,207 S * 2/2006 Tarumi D24/114
D515,208 S * 2/2006 Tarumi D24/114
D515,209 S * 2/2006 Tarumi D24/114
D515,210 S * 2/2006 Tarumi D24/114
D608,886 S * 1/2010 Rueckert D24/130
D641,078 S * 7/2011 Morgan D24/114
D689,601 S * 9/2013 Black D24/108
D730,515 S * 5/2015 Shahidi Bonjar D24/114
9,173,726 B2 * 11/2015 Sabourin A61C 19/08
D746,442 S * 12/2015 Wollbold D24/112
D748,782 S * 2/2016 Zhang D24/133
D750,768 S * 3/2016 Davidian D24/114
D778,174 S * 2/2017 Zhang D24/133
D779,056 S * 2/2017 Brannon D24/127
9,694,163 B2 * 7/2017 Chandler A61B 1/00082
D811,589 S * 2/2018 Finke A61M 5/2466
D24/114
9,901,686 B2 * 2/2018 Morgan A61M 5/3137
D812,748 S * 3/2018 Funakoshi D24/133
D814,630 S * 4/2018 Finke D24/114

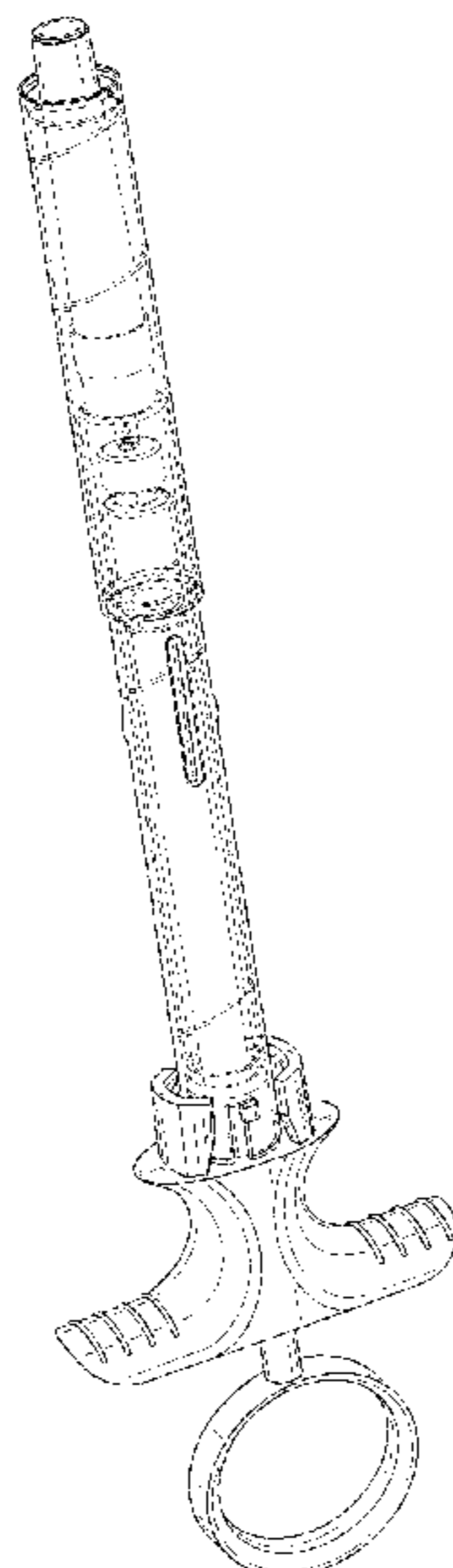
(Continued)

Primary Examiner — David G Muller
(74) *Attorney, Agent, or Firm* — Young & Thompson

(57) **CLAIM**
The ornamental design for a syringe, as shown and described.

DESCRIPTION
FIG. 1 is a front, side, and top perspective view of a syringe showing the new design, wherein the opposite side and the rear appear the same;
FIG. 2 is a front elevation view thereof, wherein the rear elevation view appears the same;
FIG. 3 is a side elevation view thereof, wherein the opposite side elevation view appears the same;
FIG. 4 is a top plan view thereof; and,
FIG. 5 is a bottom plan view thereof.
The broken lines shown in the drawings illustrate portions of the syringe that form no part of the claimed design.

1 Claim, 4 Drawing Sheets



(56)

References Cited

U.S. PATENT DOCUMENTS

D823,460 S	*	7/2018	Raghuveer	D24/114
D824,512 S	*	7/2018	Laliberte	D24/112
D828,653 S	*	9/2018	Penland	D30/199
D831,191 S	*	10/2018	Hubanks	D24/110

* cited by examiner

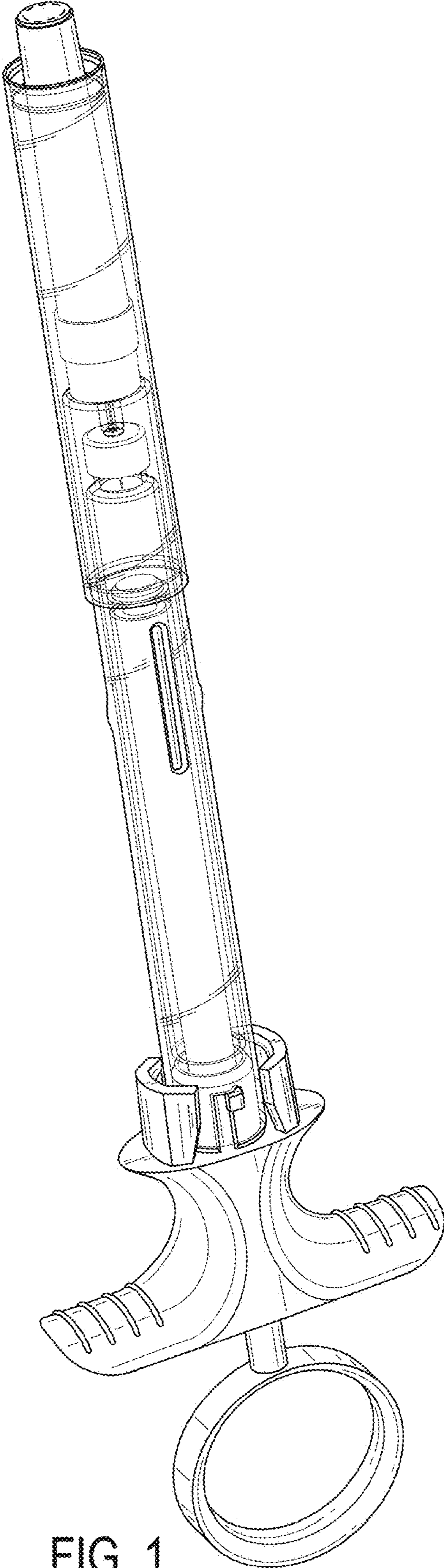


FIG. 1

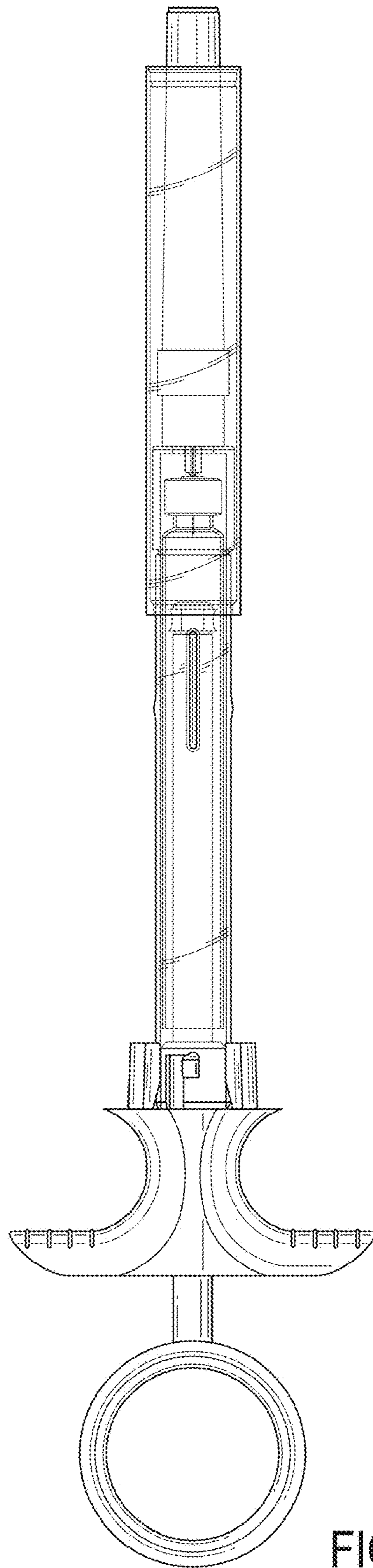


FIG. 2

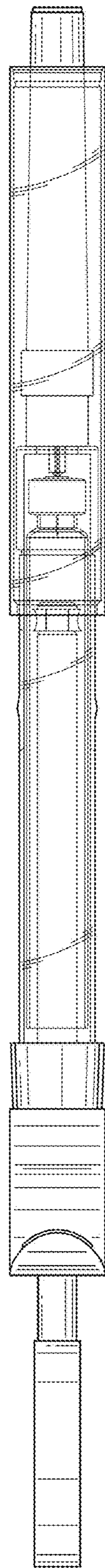


FIG. 3

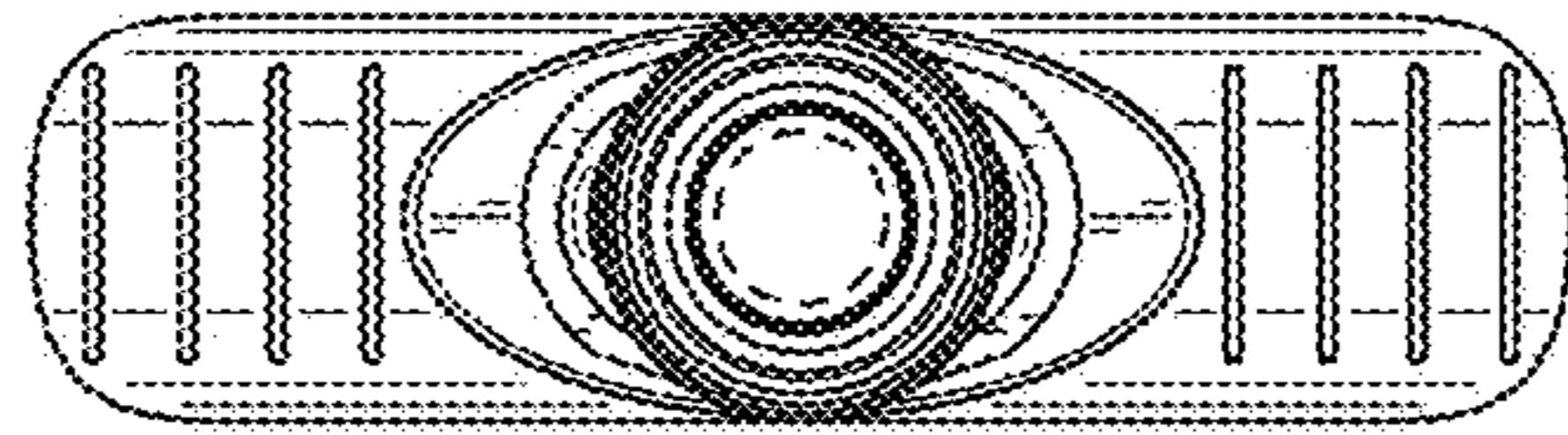


FIG. 4

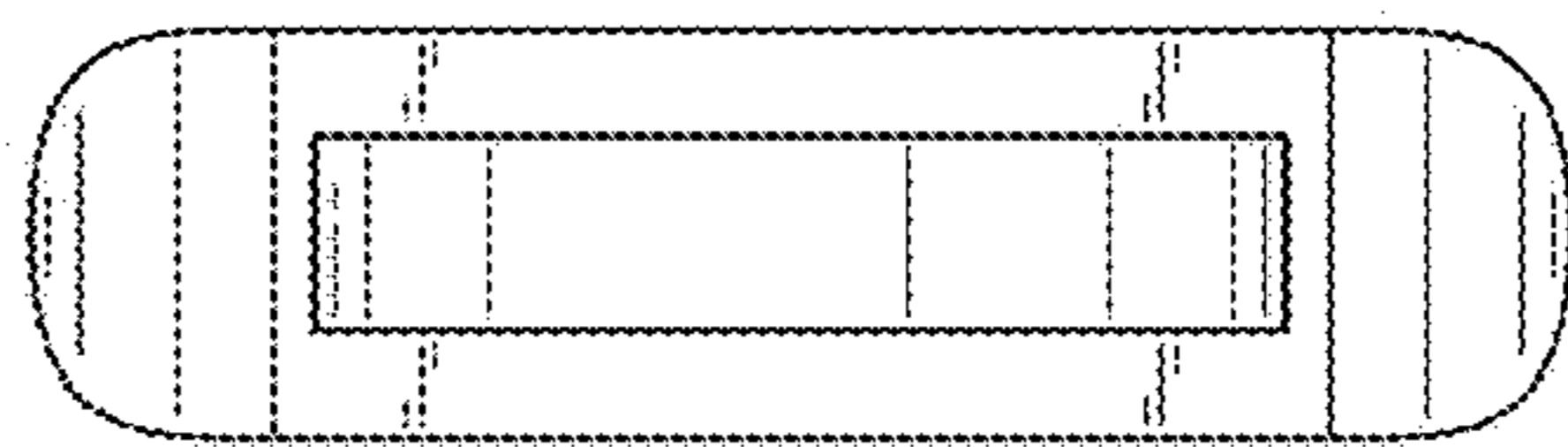


FIG. 5