



US00D844776S

(12) **United States Design Patent** (10) **Patent No.:** **US D844,776 S**  
**Combes et al.** (45) **Date of Patent:** **\*\* Apr. 2, 2019**

(54) **SYRINGE**  
(71) Applicant: **SOFIC (STE FRANCAISE D'INSTRUMENTS DE CHIRURGIE)**, Mazamet (FR)  
(72) Inventors: **Christophe Combes**, Mazamet (FR); **Richard Foulon**, Aussillon (FR)  
(73) Assignee: **SOFIC (STE FRANCAISE D'INSTRUMENTS DE CHIRURGIE)**, Mazamet (FR)

D689,601 S \* 9/2013 Black ..... D24/108  
D730,515 S \* 5/2015 Shahidi Bonjar ..... D24/114  
9,173,726 B2 \* 11/2015 Sabourin ..... A61C 19/08  
D746,442 S \* 12/2015 Wollbold ..... D24/112  
D750,768 S \* 3/2016 Davidian ..... D24/114  
9,694,163 B2 \* 7/2017 Chandler ..... A61B 1/00082  
D811,589 S \* 2/2018 Finke ..... A61M 5/2466  
D24/114  
9,901,686 B2 \* 2/2018 Morgan ..... A61M 5/3137  
D812,748 S \* 3/2018 Funakoshi ..... D24/133  
D814,630 S \* 4/2018 Finke ..... D24/114  
D828,653 S \* 9/2018 Penland ..... D30/199

\* cited by examiner

(\*\*) Term: **15 Years**

*Primary Examiner* — David G Muller

(21) Appl. No.: **29/640,144**

(74) *Attorney, Agent, or Firm* — Young & Thompson

(22) Filed: **Mar. 12, 2018**

(30) **Foreign Application Priority Data**

Sep. 12, 2017 (EM) ..... 004293009-0001

(51) **LOC (11) Cl.** ..... **24-02**

(52) **U.S. Cl.**  
USPC ..... **D24/114**

(58) **Field of Classification Search**  
USPC ..... D24/112–114, 108, 133, 130, 127, 186;  
606/181, 185; 604/264, 272, 187, 181,  
604/184, 227  
CPC ..... A61M 5/178; A61M 3/00; A61M 5/20;  
A61M 5/31; A61M 5/3146; A61M  
5/3129; A61M 5/3148; A61M 5/315  
See application file for complete search history.

(56) **References Cited**

U.S. PATENT DOCUMENTS

D608,886 S \* 1/2010 Rueckert ..... D24/130  
D641,078 S \* 7/2011 Morgan ..... D24/114

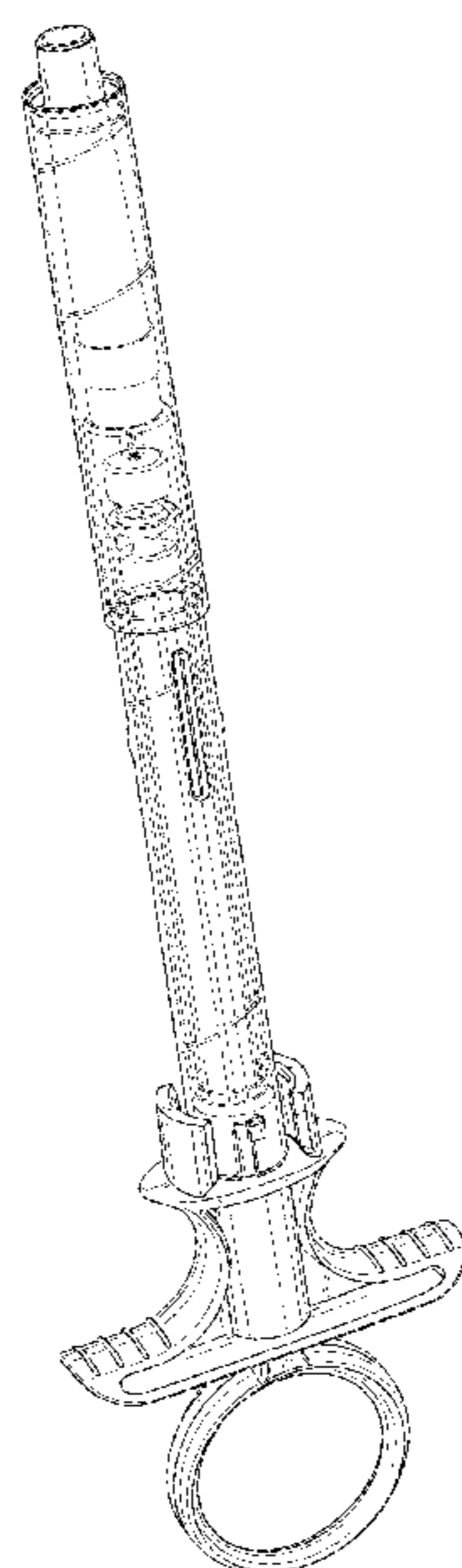
(57) **CLAIM**

The ornamental design for a syringe, as shown and described.

**DESCRIPTION**

FIG. 1 is a front, side, and top perspective view of a syringe showing the new design, wherein the opposite side and the rear appear the same;  
FIG. 2 is a front elevation view thereof, wherein the rear elevation view appears the same;  
FIG. 3 is a side elevation view thereof, wherein the opposite side elevation view appears the same;  
FIG. 4 is a top plan view thereof; and,  
FIG. 5 is a bottom plan view thereof.  
The broken lines shown in the drawings illustrate portions of the syringe that form no part of the claimed design.

**1 Claim, 4 Drawing Sheets**



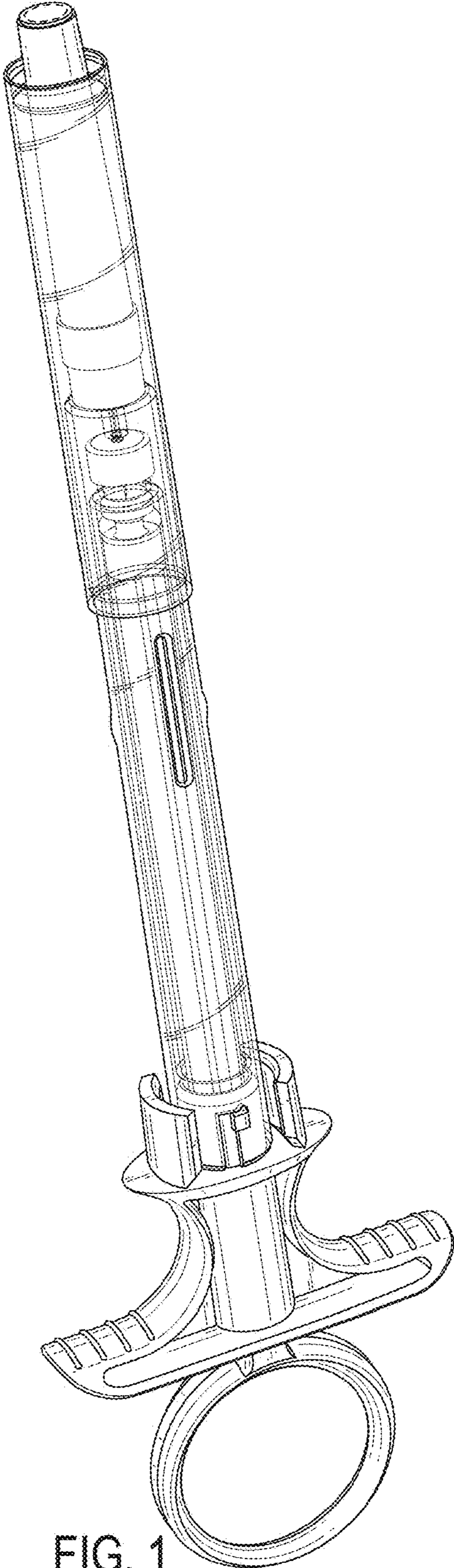


FIG. 1

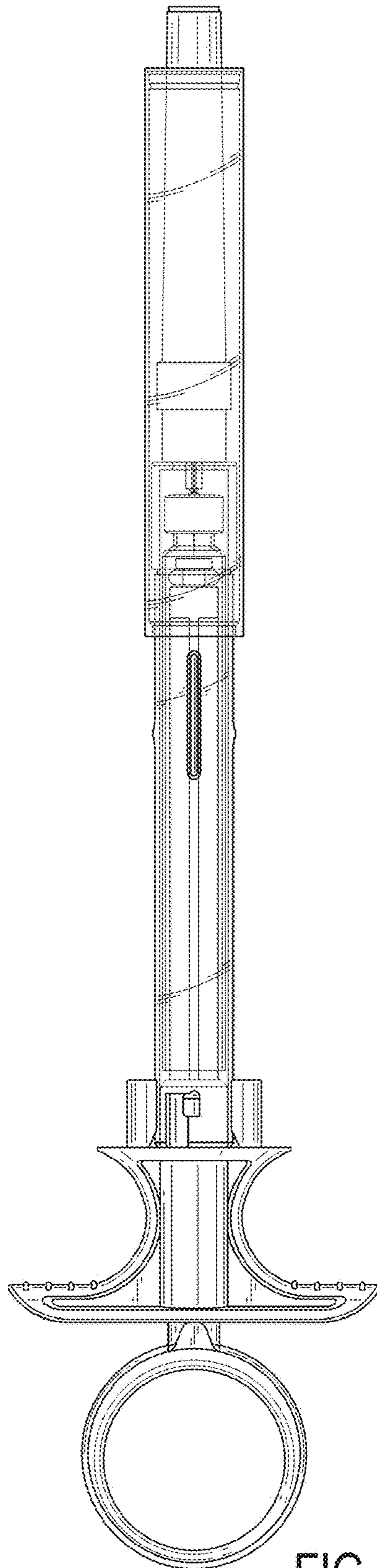


FIG. 2

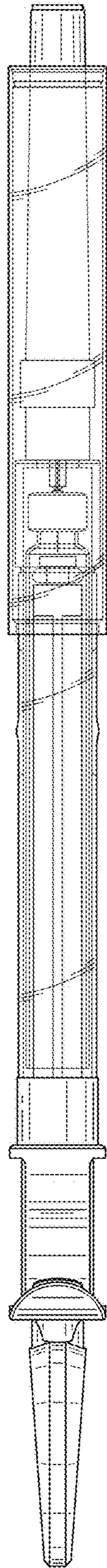


FIG. 3

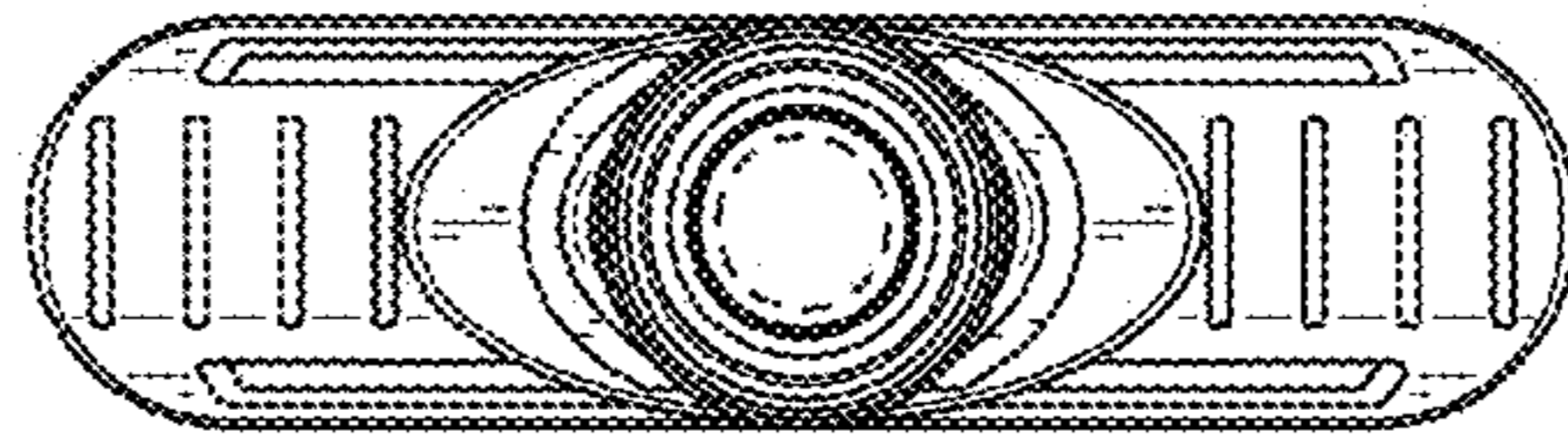


FIG. 4

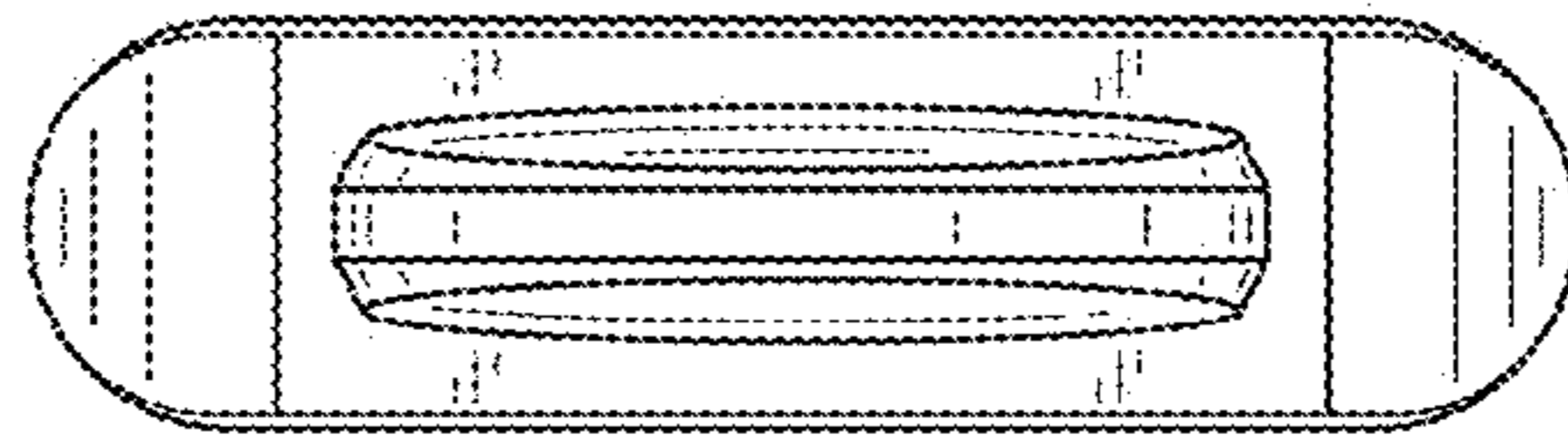


FIG. 5