



US00D844775S

(12) **United States Design Patent** (10) **Patent No.:** **US D844,775 S**
Jansen (45) **Date of Patent:** **** Apr. 2, 2019**

(54) **CLIPLESS MEDICAL INJECTOR**
(71) Applicant: **HASELMEIER AG**, St. Gallen (CH)
(72) Inventor: **Paul Edward Jansen**, Boston, MA (US)
(73) Assignee: **Haselmeier AG**, St. Gallen (CH)
(**) Term: **15 Years**
(21) Appl. No.: **29/655,498**
(22) Filed: **Jul. 3, 2018**
(51) **LOC (11) Cl.** **24-02**
(52) **U.S. Cl.**
USPC **D24/112**
(58) **Field of Classification Search**
USPC D24/112-114, 108, 133, 130, 127, 186;
606/181, 185; 604/264, 272, 187, 181,
604/184, 227
CPC A61M 5/178; A61M 3/00; A61M 5/20;
A61M 5/31; A61M 5/3146; A61M
5/3129; A61M 5/3148; A61M 5/315
See application file for complete search history.

D810,283 S * 2/2018 Amend Kwasnik D24/113
D814,022 S * 3/2018 Boyaval D24/113
D819,200 S * 5/2018 Stonecipher D24/114
D822,199 S * 7/2018 Clawson D24/113
D823,459 S * 7/2018 Bendek D24/113
D830,539 S * 10/2018 Boyaval D24/113

OTHER PUBLICATIONS

FlexPen Ad: Levemir FlexPen: <http://www.onedollarpharmacy.com/anti-diabetic-drugs.html>, downloaded on Jul. 2, 2018.

* cited by examiner

Primary Examiner — David G Muller
(74) *Attorney, Agent, or Firm* — Walter Ottesen, P.A.

(57) **CLAIM**

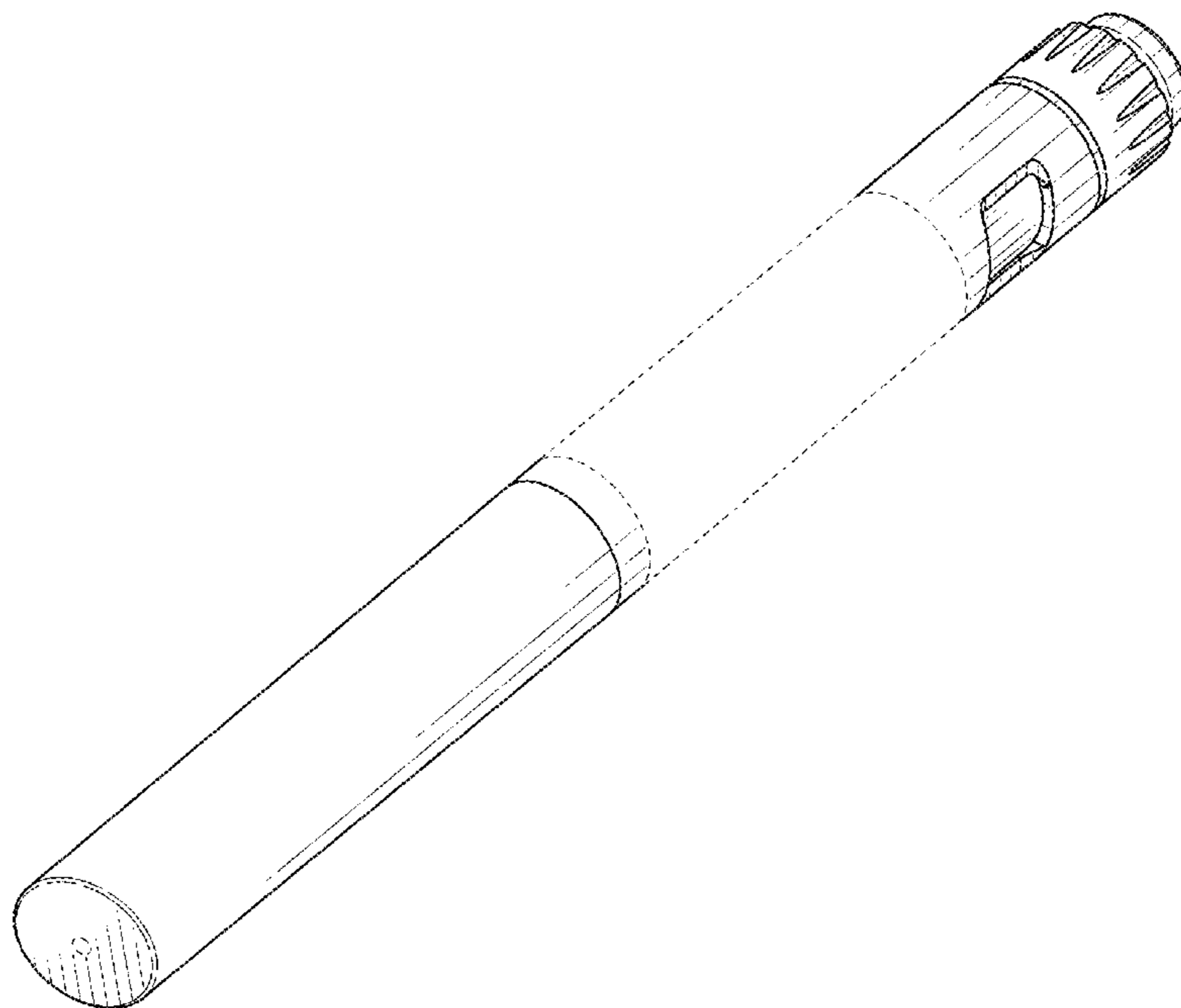
I claim the ornamental medical injector, as shown and described.

DESCRIPTION

FIG. 1 is a perspective view of the housing viewed from the front and left of and above the medical injector;
FIG. 2 is a perspective view of the housing viewed from the rear and right of and above the medical injector
FIG. 3 is a top plan view thereof;
FIG. 4 is a bottom plan view thereof;
FIG. 5 is a left side elevation view thereof;
FIG. 6 is a right side elevation view thereof;
FIG. 7 is a front elevation view thereof; and,
FIG. 8 is a rear elevation view thereof.
The broken line showing is for the purpose of illustrating portions of the article and defines the bounds of the claimed invention, but forms no part of the claimed design.

1 Claim, 4 Drawing Sheets

(56) **References Cited**
U.S. PATENT DOCUMENTS
D717,940 S * 11/2014 Magome D24/113
D725,771 S * 3/2015 Sendatzki D24/113
D770,038 S * 10/2016 Ahlgrim D24/113
D773,038 S * 11/2016 Tanner D24/113
D773,646 S * 12/2016 Amend Kwasnik D24/113
D787,047 S * 5/2017 Bainton D24/113
D800,898 S * 10/2017 Sanders D24/114



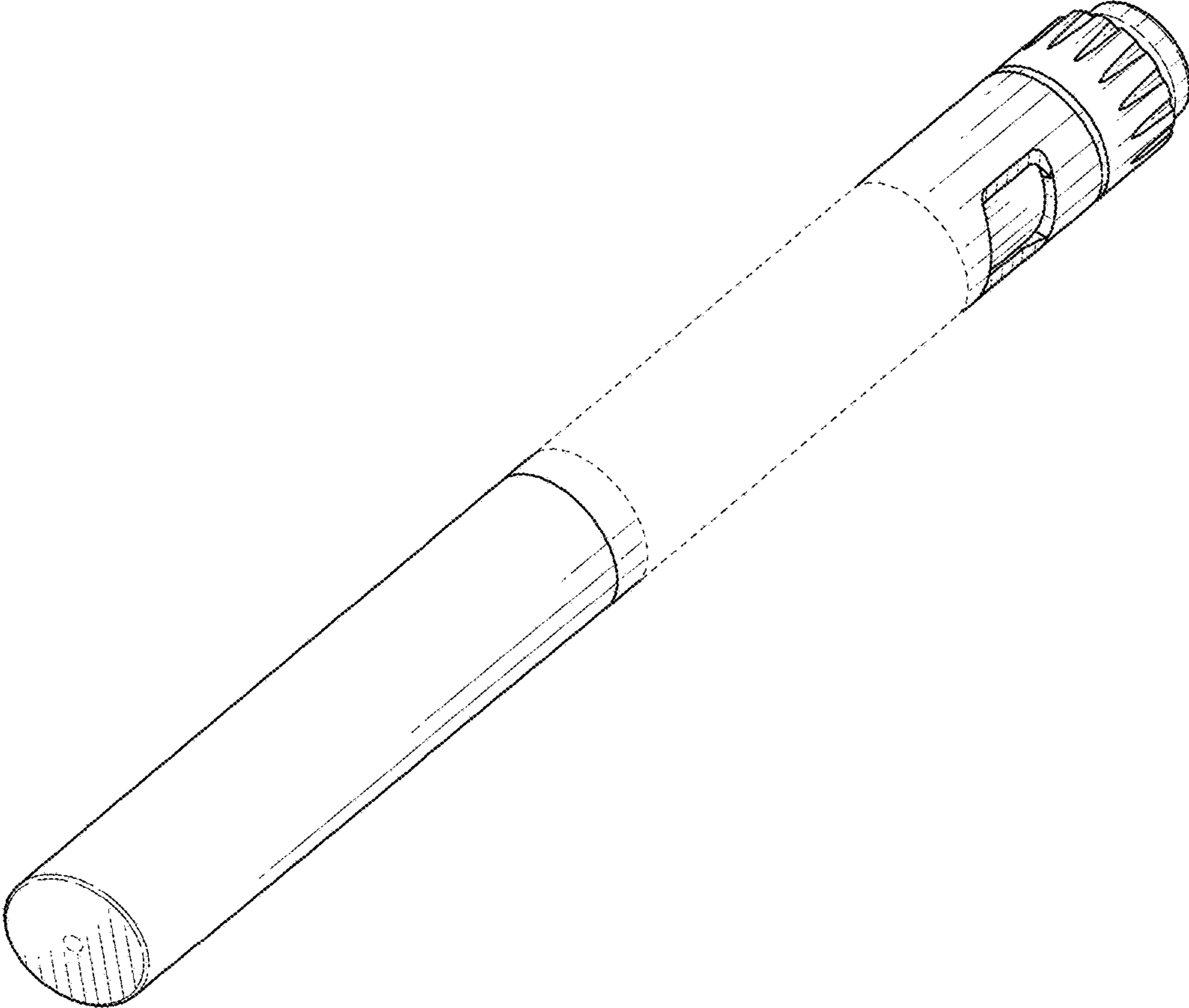


FIG. 1

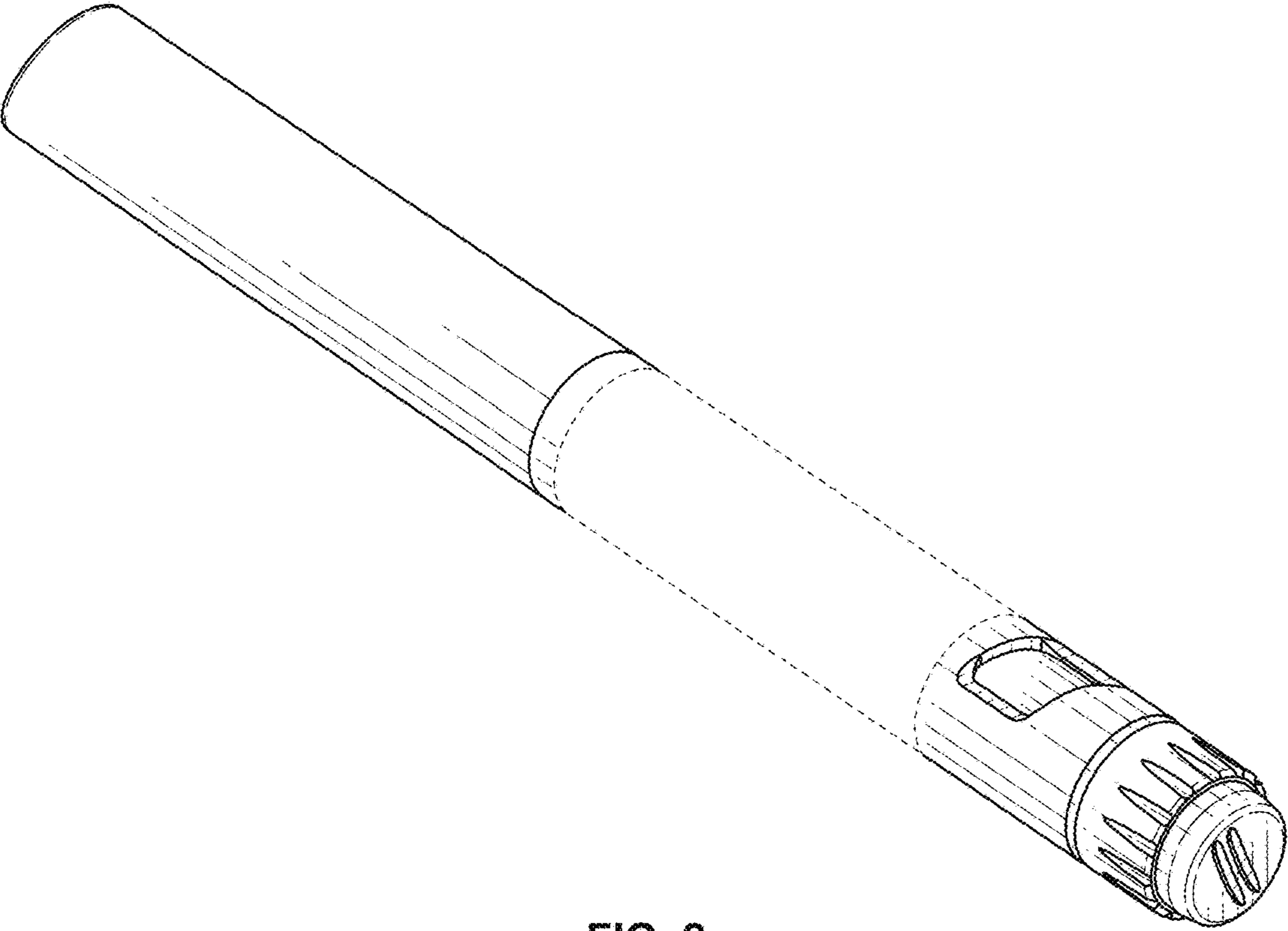


FIG. 2

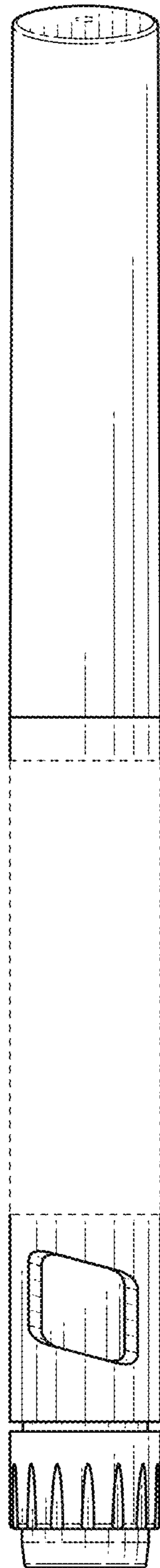


FIG. 3

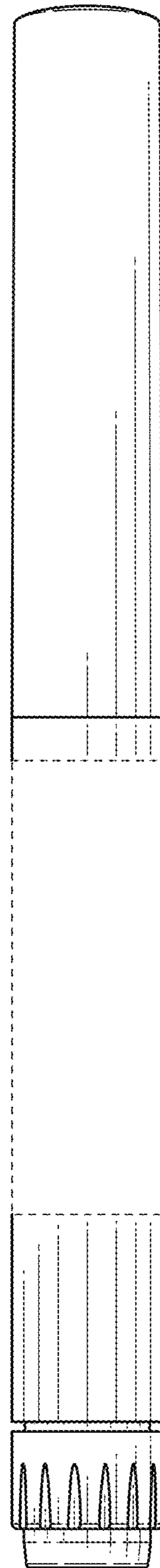


FIG. 4

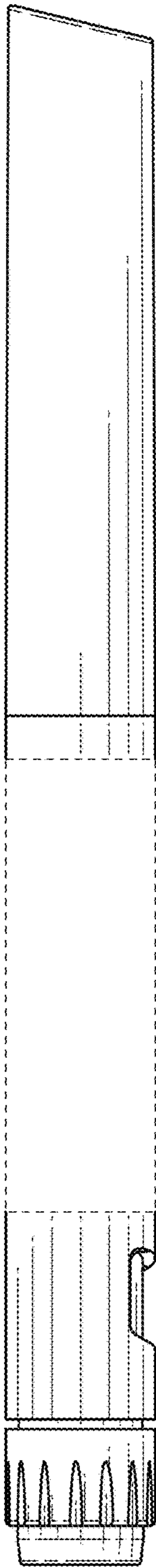


FIG. 5

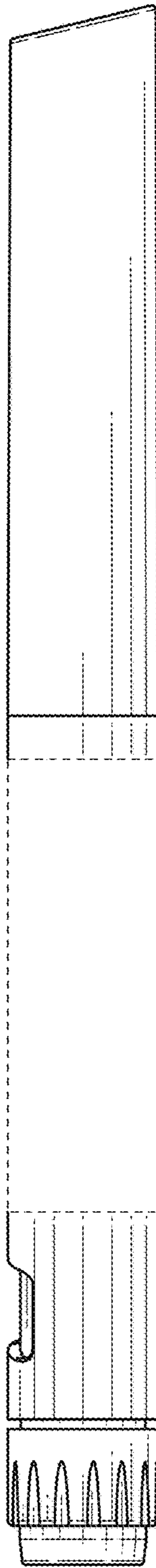


FIG. 6

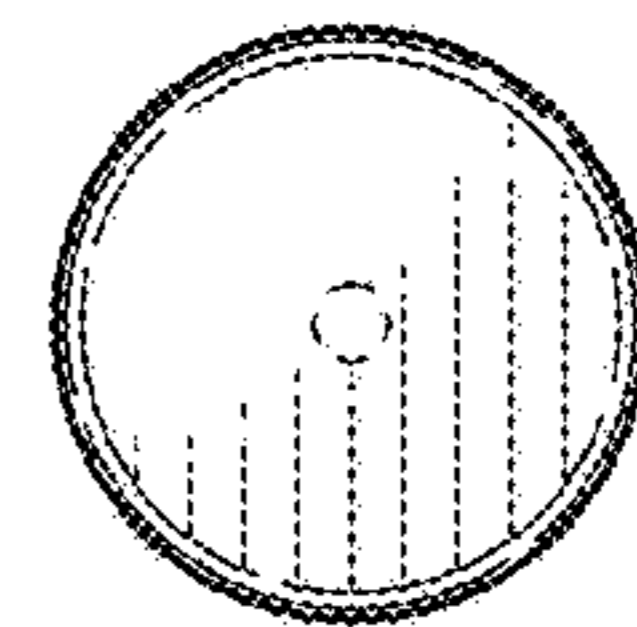


FIG. 7

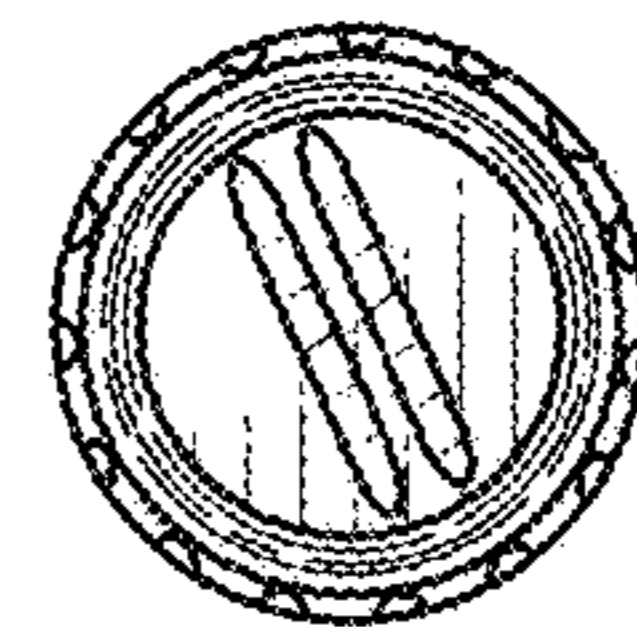


FIG. 8