

US00D844774S

(12) **United States Design Patent** (10) **Patent No.:** **US D844,774 S**
Akçay et al. (45) **Date of Patent:** **** Apr. 2, 2019**

(54) **CATHETER ASSEMBLY DESIGN**
(71) Applicant: **Smiths Medical ASD, Inc.**, Plymouth, MN (US)
(72) Inventors: **Gursel Akçay**, Madison, CT (US); **Harsh D. Chheda**, Cheshire, CT (US)
(73) Assignee: **Smiths Medical ASD, Inc.**, Plymouth, MN (US)

5,713,876 A 2/1998 Bogert
5,718,688 A 2/1998 Wozencroft
5,795,339 A 8/1998 Erskine
5,853,339 A 12/1998 Scerbo
5,853,393 A 12/1998 Bogert
5,911,705 A 6/1999 Howell
5,935,109 A 8/1999 Donnan
5,951,515 A 9/1999 Osterlind
(Continued)

(**) Term: **15 Years**
(21) Appl. No.: **29/581,199**
(22) Filed: **Oct. 17, 2016**

FOREIGN PATENT DOCUMENTS

EP 1011764 B1 2/2004
EP 1292355 B1 5/2007
(Continued)

OTHER PUBLICATIONS

Examination Report dated Jun. 22, 2018 for Australian Application No. 2016211195, 2 pages.
(Continued)

Related U.S. Application Data

(63) Continuation of application No. 15/012,013, filed on Feb. 1, 2016.
(51) **LOC (11) Cl.** **24-02**
(52) **U.S. Cl.**
USPC **D24/112**
(58) **Field of Classification Search**
USPC D24/112-114, 108, 133, 130, 127, 186;
606/181, 185; 604/264, 272, 187, 181,
604/184, 227
CPC A61M 5/178; A61M 3/00; A61M 5/20;
A61M 5/31; A61M 5/3146; A61M
5/3129; A61M 5/3148; A61M 5/315
See application file for complete search history.

Primary Examiner — David G Muller
(74) *Attorney, Agent, or Firm* — Patterson Thuent Pedersen, P.A.

(57) **CLAIM**

We claim the ornamental design for a catheter assembly design, substantially as shown and described.

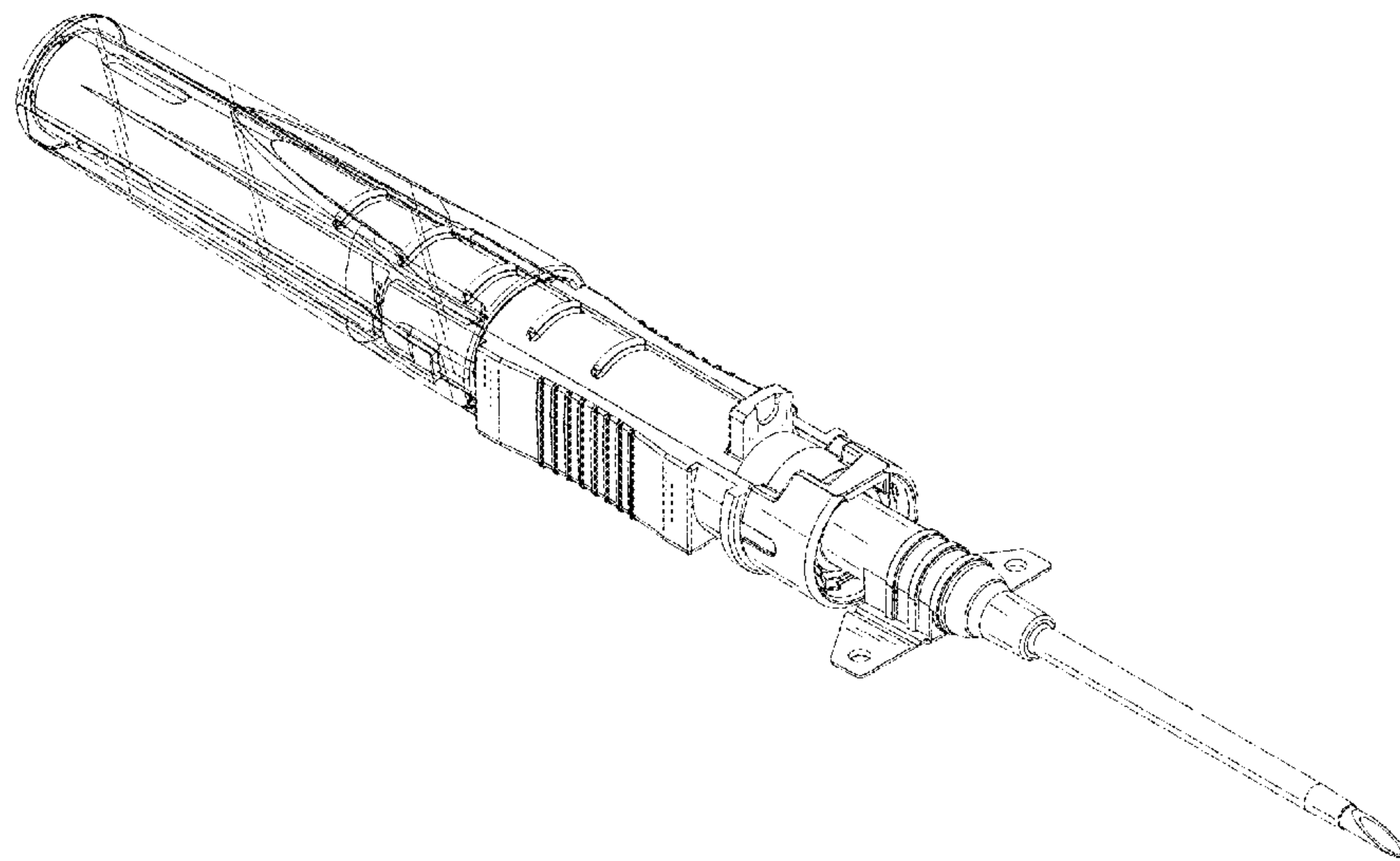
DESCRIPTION

FIG. 1 is a top perspective view depicting a catheter assembly design in accordance with a first embodiment of the patent design.
FIG. 2 is a bottom view thereof.
FIG. 3 is a top view thereof.
FIG. 4 is a right side view thereof.
FIG. 5 is a left side view thereof.
FIG. 6 is a front view thereof; and,
FIG. 7 is a rear view thereof.

(56) **References Cited**
U.S. PATENT DOCUMENTS

5,000,740 A 3/1991 Ducharme
5,215,528 A 6/1993 Purdy
5,279,590 A 1/1994 Sinko
5,599,310 A 2/1997 Bogert
5,676,658 A 10/1997 Erskine
5,700,250 A 12/1997 Erskine

1 Claim, 4 Drawing Sheets



(56)

References Cited

U.S. PATENT DOCUMENTS

6,004,294 A 12/1999 Brimhall
 6,056,726 A 5/2000 Isaacson
 6,077,244 A 6/2000 Botich
 6,117,108 A 9/2000 Woehr
 6,213,978 B1 4/2001 Voyten
 6,221,047 B1 4/2001 Greene
 6,287,278 B1 9/2001 Woehr
 D448,844 S * 10/2001 Reis D24/112
 6,379,332 B1 4/2002 Van Landuyt
 6,379,333 B1 4/2002 Brimhall
 6,461,362 B1 10/2002 Halseth
 6,585,703 B1 7/2003 Kassel et al.
 6,595,955 B2 7/2003 Ferguson
 6,616,630 B1 9/2003 Woehr
 6,652,490 B2 11/2003 Howell
 6,663,592 B2 12/2003 Rhad
 6,709,419 B2 3/2004 Woehr
 6,749,588 B1 6/2004 Howell
 6,796,962 B2 9/2004 Ferguson
 6,902,546 B2 6/2005 Ferguson
 6,914,212 B2 7/2005 Adams
 6,972,002 B2 12/2005 Thome
 6,984,213 B2 1/2006 Horner
 6,986,760 B2 1/2006 Giambattista
 7,002,098 B2 2/2006 Adams
 7,004,927 B2 2/2006 Ferguson
 7,008,402 B2 3/2006 Ferguson
 7,106,269 B1 9/2006 Tonn
 7,125,397 B2 10/2006 Woehr
 7,179,244 B2 2/2007 Smith
 7,186,239 B2 3/2007 Woehr
 7,214,211 B2 5/2007 Woehr
 7,226,434 B2 6/2007 Carlyon
 7,255,685 B2 8/2007 Pressly, Sr.
 7,264,613 B2 9/2007 Woehr
 7,291,130 B2 11/2007 McGurk
 7,314,462 B2 * 1/2008 O'Reagan A61M 25/0631
 604/110
 7,341,573 B2 3/2008 Ferguson
 7,357,784 B2 4/2008 Ferguson
 7,413,562 B2 8/2008 Ferguson
 7,458,954 B2 12/2008 Ferguson
 7,507,222 B2 3/2009 Cindrich
 7,604,616 B2 10/2009 Thoresen
 7,608,057 B2 10/2009 Woehr
 7,611,485 B2 11/2009 Ferguson
 7,611,487 B2 11/2009 Woehr
 7,611,499 B2 11/2009 Woehr
 7,618,395 B2 11/2009 Ferguson
 7,625,360 B2 12/2009 Woehr
 D608,886 S * 1/2010 Rueckert D24/130
 7,654,988 B2 2/2010 Moulton
 7,658,725 B2 2/2010 Bialecki
 7,713,248 B2 5/2010 Lopez
 7,722,569 B2 5/2010 Söderholm
 7,731,691 B2 6/2010 Cote
 7,736,332 B2 6/2010 Carlyon
 7,736,342 B2 6/2010 Abriles
 7,798,994 B2 9/2010 Brimhall
 7,806,849 B2 10/2010 Woehr
 7,828,774 B2 11/2010 Harding
 7,935,080 B2 5/2011 Howell
 7,972,313 B2 7/2011 Woehr
 7,976,502 B2 7/2011 Baid
 7,988,664 B2 8/2011 Fiser
 8,096,973 B2 1/2012 Snow
 8,100,858 B2 1/2012 Woehr
 8,162,904 B2 4/2012 Takano
 8,211,070 B2 7/2012 Woehr
 8,216,188 B2 7/2012 Millerd
 8,257,322 B2 9/2012 Koehler
 8,292,852 B2 10/2012 Mulholland
 8,348,893 B2 1/2013 Carlyon
 8,376,994 B2 2/2013 Woehr
 8,382,718 B2 2/2013 Woehr

8,382,721 B2 2/2013 Woehr
 8,394,064 B2 3/2013 Baid
 8,414,539 B1 4/2013 Kuracina
 8,444,605 B2 5/2013 Kuracina
 8,460,249 B2 6/2013 Woehr
 8,474,300 B2 7/2013 Mckinnon
 8,486,024 B2 7/2013 Steube
 8,496,623 B2 7/2013 Burkholz
 8,506,528 B2 8/2013 Fiser
 8,529,515 B2 9/2013 Woehr
 8,545,454 B2 10/2013 Kuracina
 8,568,372 B2 10/2013 Woehr
 8,591,467 B2 11/2013 Walker
 8,647,313 B2 2/2014 Woehr
 8,702,658 B2 * 4/2014 Spearman A61M 25/0631
 604/165.01
 D709,188 S * 7/2014 Guala D24/130
 8,784,387 B2 7/2014 Woehr
 8,814,833 B2 8/2014 Farrell
 8,821,439 B2 9/2014 Kuracina
 8,827,965 B2 9/2014 Woehr
 8,834,422 B2 9/2014 Walker
 8,845,584 B2 9/2014 Ferguson
 8,864,714 B2 10/2014 Harding
 8,915,883 B2 12/2014 Baid
 8,926,563 B2 1/2015 Steube
 8,936,575 B2 1/2015 Moulton
 8,956,328 B2 2/2015 Antonucci
 9,089,673 B2 7/2015 Fiser
 9,138,564 B2 9/2015 Morrissey
 9,180,277 B2 11/2015 Erskine
 9,808,580 B2 * 11/2017 Elmen A61M 5/24
 2002/0133122 A1 9/2002 Giambattista
 2003/0083621 A1 5/2003 Shaw et al.
 2003/0199827 A1 10/2003 Thorne
 2004/0225260 A1 11/2004 Villa et al.
 2005/0273057 A1 12/2005 Popov
 2007/0191776 A1 8/2007 Bialecki et al.
 2012/0035552 A1 2/2012 Woehr
 2012/0226239 A1 9/2012 Green
 2013/0030391 A1 1/2013 Baid
 2013/0178825 A1 7/2013 Helm, Jr.
 2013/0184645 A1 7/2013 Baid
 2013/0253443 A1 9/2013 Woehr
 2013/0281972 A1 10/2013 Newby
 2013/0296805 A1 11/2013 Erskine
 2013/0317426 A1 11/2013 Fiser
 2013/0317440 A1 11/2013 Woehr
 2014/0018738 A1 1/2014 Steube
 2014/0025009 A1 1/2014 Erskine
 2014/0039399 A1 2/2014 Burkholz
 2014/0046272 A1 2/2014 Erskine
 2014/0058329 A1 2/2014 Walker
 2014/0135701 A1 5/2014 Woehr
 2014/0163470 A1 6/2014 Baid
 2014/0249488 A1 9/2014 Woehr
 2014/0257202 A1 9/2014 Woehr
 2014/0336583 A1 11/2014 Morrissey
 2014/0371715 A1 12/2014 Farrell
 2015/0005666 A1 1/2015 Terasawa
 2015/0005718 A1 1/2015 Walker
 2015/0032065 A1 1/2015 Ferguson
 2015/0039009 A1 2/2015 Tamano
 2015/0073304 A1 3/2015 Millerd
 2015/0080801 A1 3/2015 Tanabe
 2015/0126932 A1 5/2015 Knutsson
 2015/0126933 A1 5/2015 Antonucci
 2015/0174374 A1 6/2015 Woehr
 2015/0196737 A1 7/2015 Baid
 2015/0224267 A1 8/2015 Farrell
 2016/0220161 A1 8/2016 Goral et al.
 2016/0220762 A1 8/2016 Goral et al.
 2016/0220791 A1 8/2016 Akcay et al.
 2016/0220805 A1 8/2016 Goral et al.

FOREIGN PATENT DOCUMENTS

EP 1448251 B1 7/2014
 GB 2508466 B 10/2014

(56)

References Cited

FOREIGN PATENT DOCUMENTS

WO	WO 0241932	A3	5/2003
WO	WO 2006070358	A3	3/2007
WO	WO 2012014017	A1	2/2012
WO	WO 2012014018	A1	2/2012
WO	WO 2013187827	A1	12/2013
WO	WO 2014097110	A1	6/2014
WO	WO 2014162377	A1	10/2014
WO	WO 2015023358	A1	2/2015
WO	WO 2015056148	A1	4/2015

OTHER PUBLICATIONS

Search Report dated Aug. 7, 2018 for EP Application No. 16744268.
0, 7 pages.

Search Report dated Jun. 1, 2016 for PCT Application No. PCT/
US2016/015958, 12 pages.

Application and File history for U.S. Appl. No. 15/012,013, filed
Feb. 1, 2016. Inventors: Akcay et al.

* cited by examiner

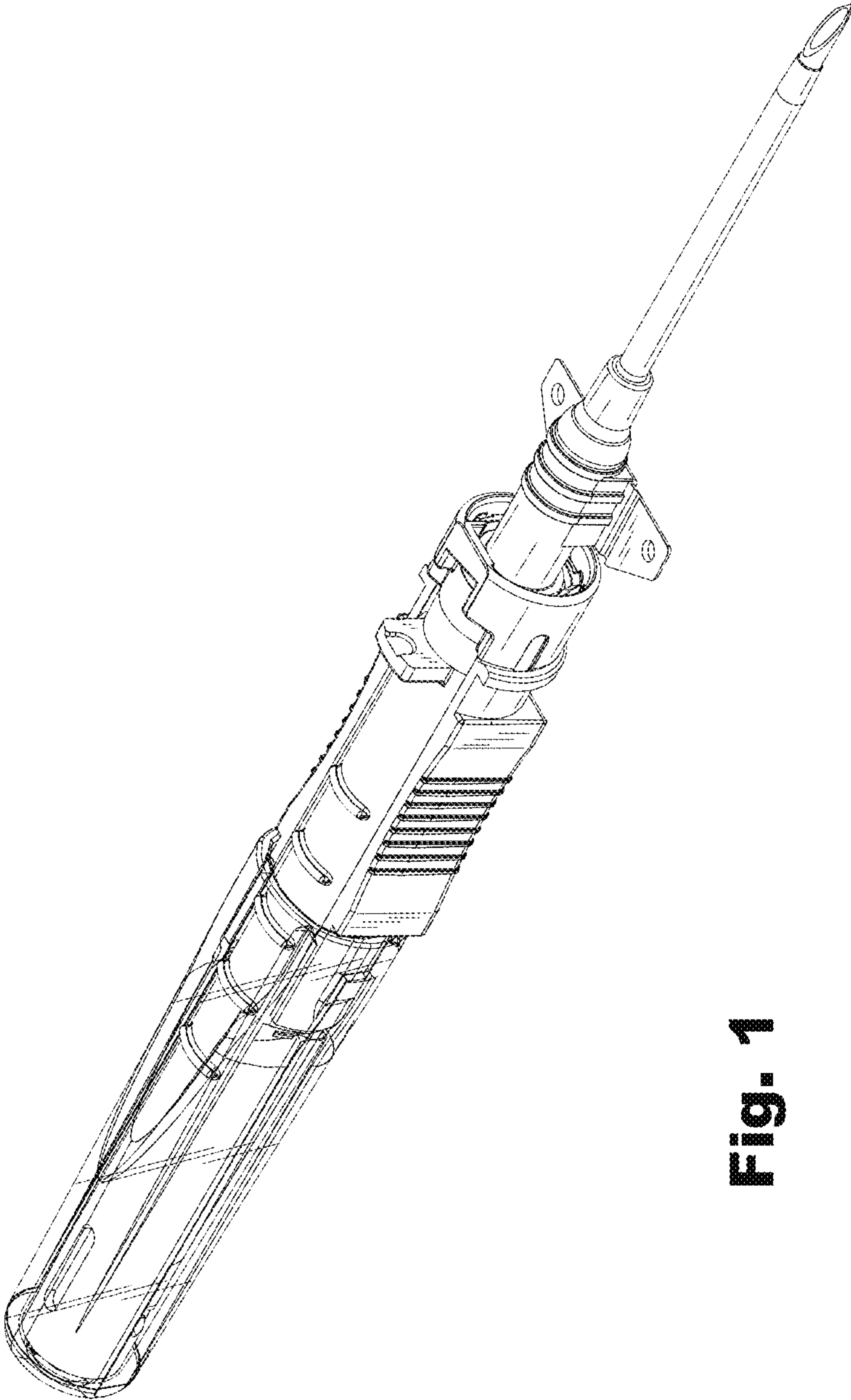


Fig. 1

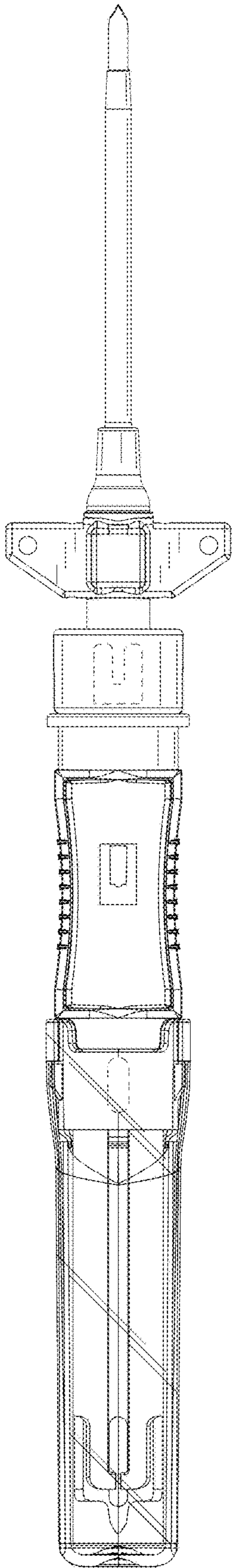


Fig. 2

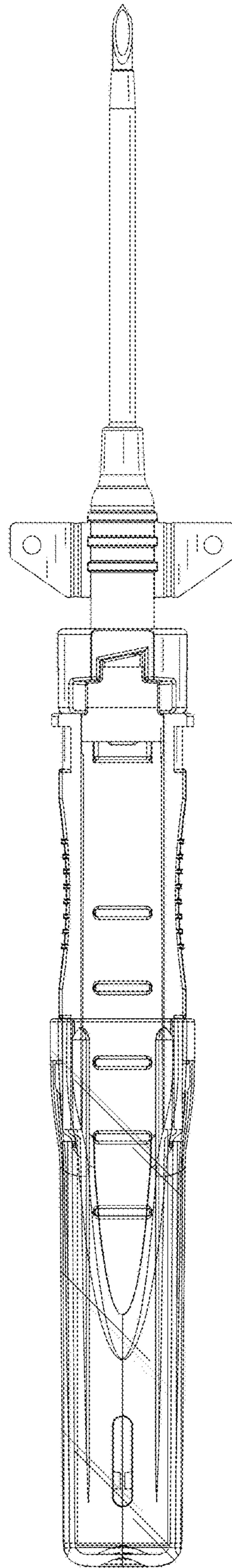


Fig. 3

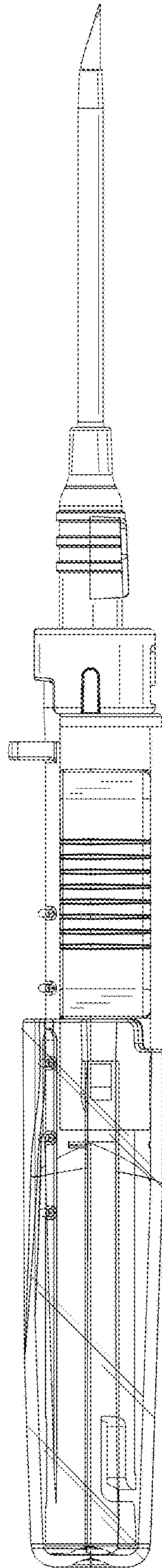


Fig. 4

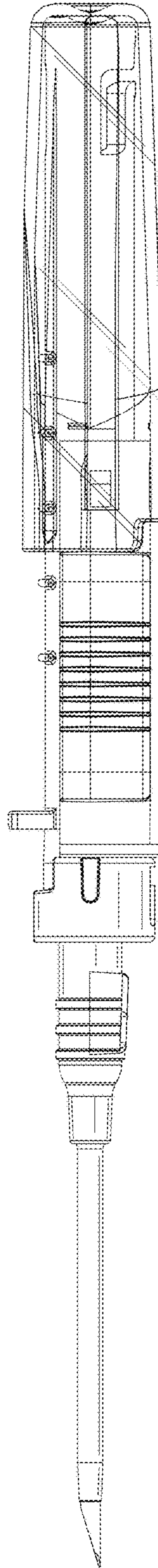


Fig. 5

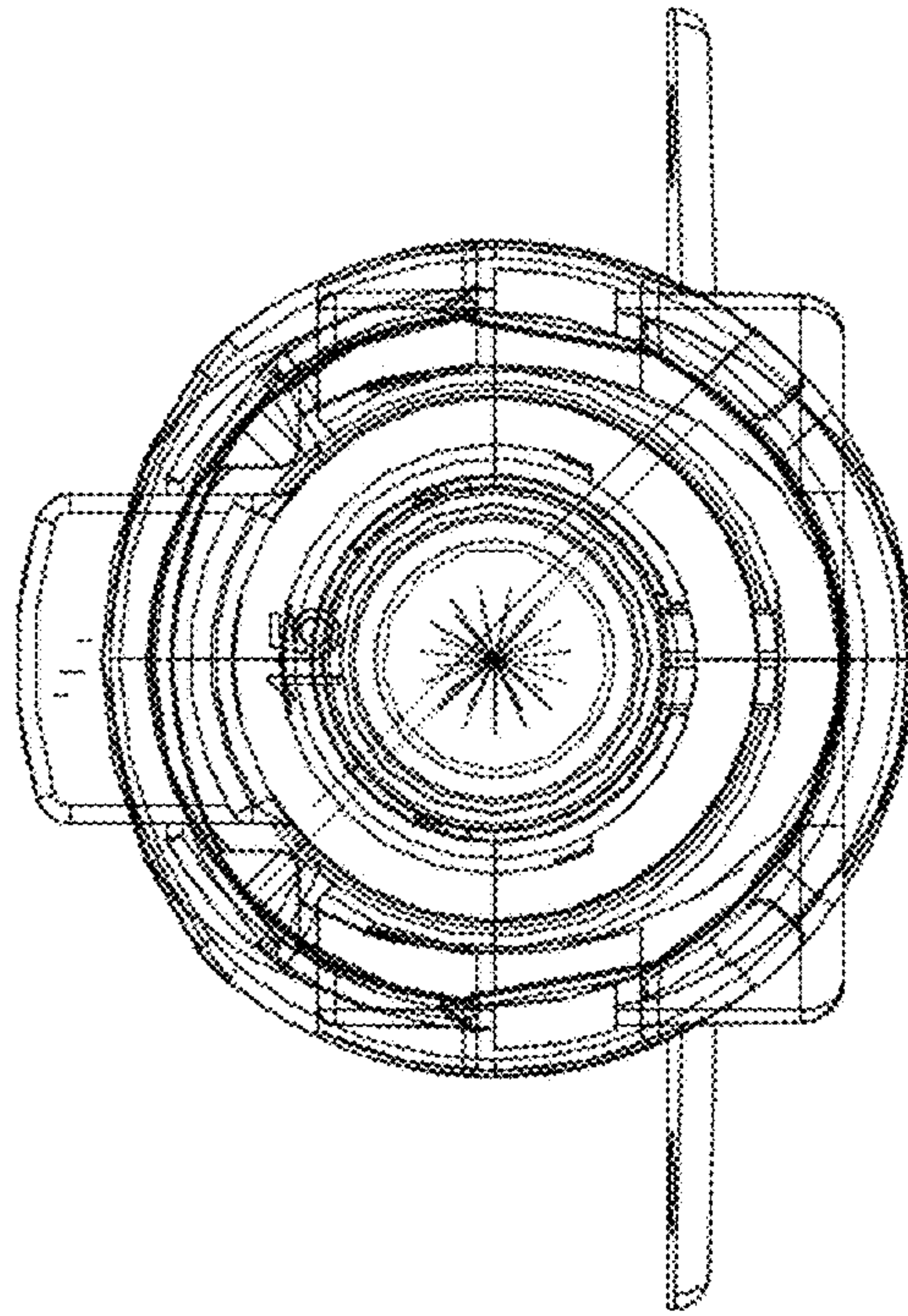


Fig. 7

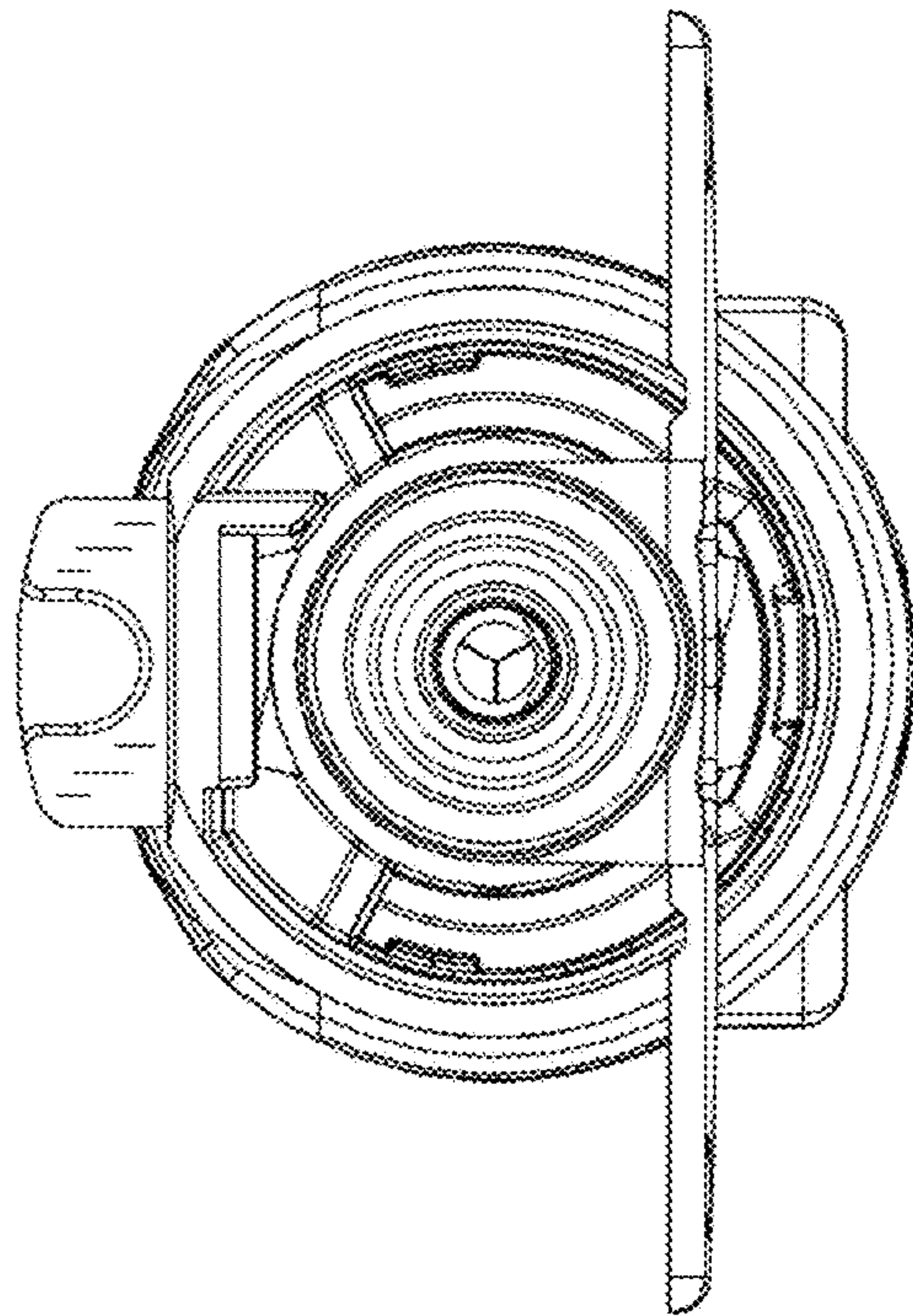


Fig. 6