



US00D844773S

(12) **United States Design Patent** (10) **Patent No.:** **US D844,773 S**
Kokeny et al. (45) **Date of Patent:** **** Apr. 2, 2019**

(54) **BURNER CONTROL UNIT OF A MODULAR BURNER CONTROLLER**

D578,027 S 10/2008 Bray et al.
D640,365 S 6/2011 Kennedy et al.
D692,096 S 10/2013 Fukano et al.

(71) Applicant: **Honeywell International Inc.**, Morris Plains, NJ (US)

OTHER PUBLICATIONS

(72) Inventors: **Radovan Kokeny**, Medlov (CZ); **Virginie Turcotte**, Montreal (CA); **Stephane Joseph Pierre Beland**, St-Jean-sur-Richelieu (CA)

Johnson Controls, "System 450(TM) Series Modular Controls," Johnson Controls, Inc., Jul. 24, 2012, 8 pages. Code No. LIT-1900549.

Siemens Building Technologies, Inc., "Modular Building Controller," 2003, 9 pages. Document No. 149-251P25.

(73) Assignee: **Honeywell International Inc.**, Morris Plains, NJ (US)

Google, "Modular Burner Controller—Google Image Search," Downloaded Sep. 2, 2014, 25 pages.

Google, "Module Burner control—Google Image Search" Downloaded Sep. 2, 2014, 22 pages.

(**) Term: **15 Years**

* cited by examiner

(21) Appl. No.: **29/569,093**

Primary Examiner — Sandra S Snapp

(22) Filed: **Jun. 23, 2016**

(74) *Attorney, Agent, or Firm* — Seager, Tufte & Wickhem

Related U.S. Application Data

(62) Division of application No. 29/495,655, filed on Jul. 2, 2014, now Pat. No. Des. 762,842.

(51) **LOC (11) Cl.** **23-03**

(52) **U.S. Cl.**
USPC **D23/421**

(58) **Field of Classification Search**
USPC D23/370–385, 411–414, 499, 421, 59;
392/360–364; 416/5, 170 R, 93 R, 210 R,
416/223 R, 207
CPC F04D 29/34; F04D 29/38; F04D 25/088
See application file for complete search history.

(56) **References Cited**

U.S. PATENT DOCUMENTS

D271,792 S * 12/1983 Stancliffe D23/343
D290,498 S * 6/1987 Beane D23/342
D528,444 S 9/2006 Horie et al.
D573,248 S * 7/2008 Ryan D23/418

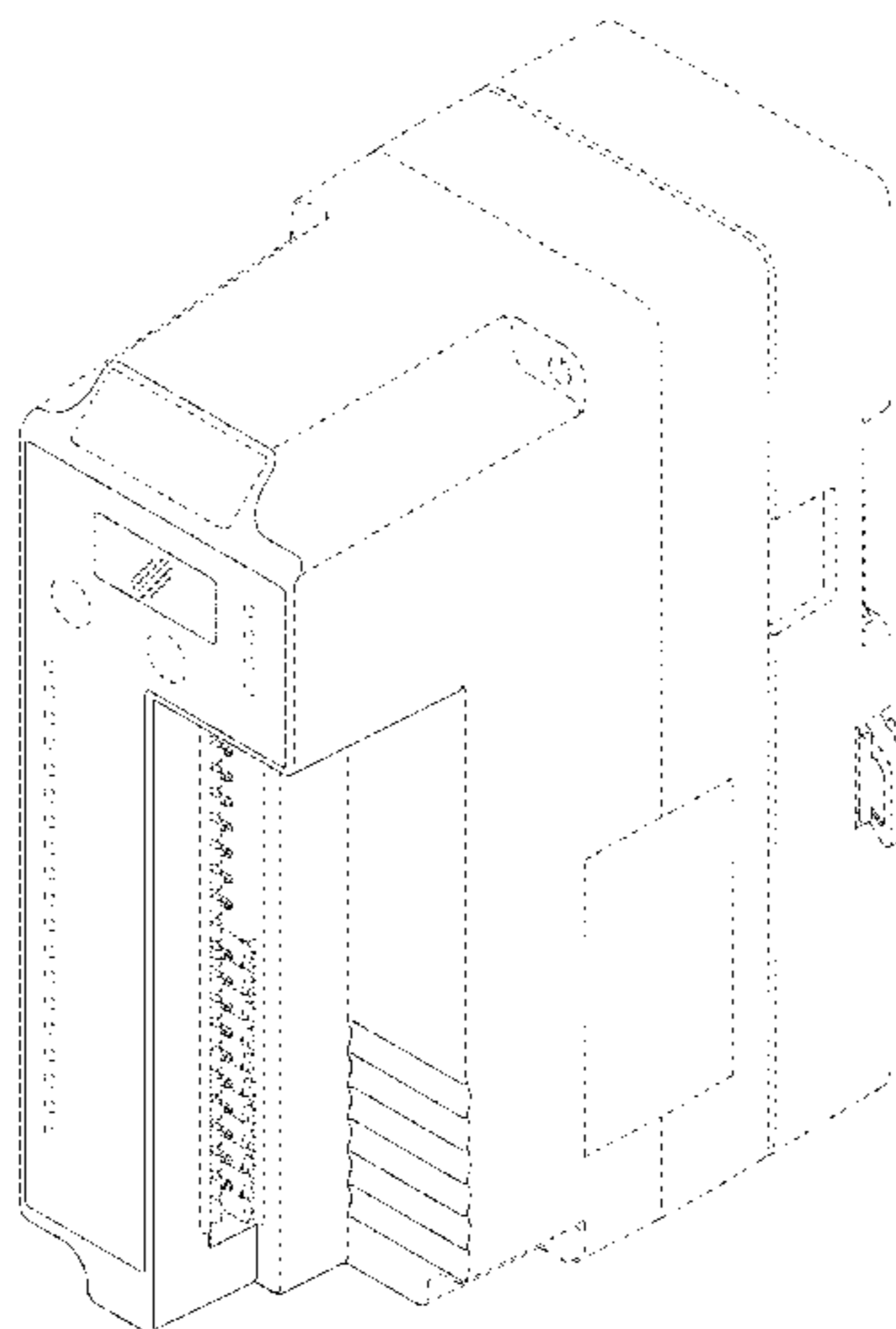
(57) **CLAIM**

The ornamental design for a burner control unit of a modular burner controller, as shown and described.

DESCRIPTION

FIG. 1 is a perspective view of a burner control unit of a modular burner controller;
FIG. 2 is a front side view of the burner control unit of FIG. 1;
FIG. 3 is a right side view of the burner control unit of FIG. 1;
FIG. 4 is a left side view of the burner control unit of FIG. 1;
FIG. 5 is a top plan view of the burner control unit of FIG. 1; and,
FIG. 6 is a bottom plan view of the burner control unit of FIG. 1.

1 Claim, 6 Drawing Sheets



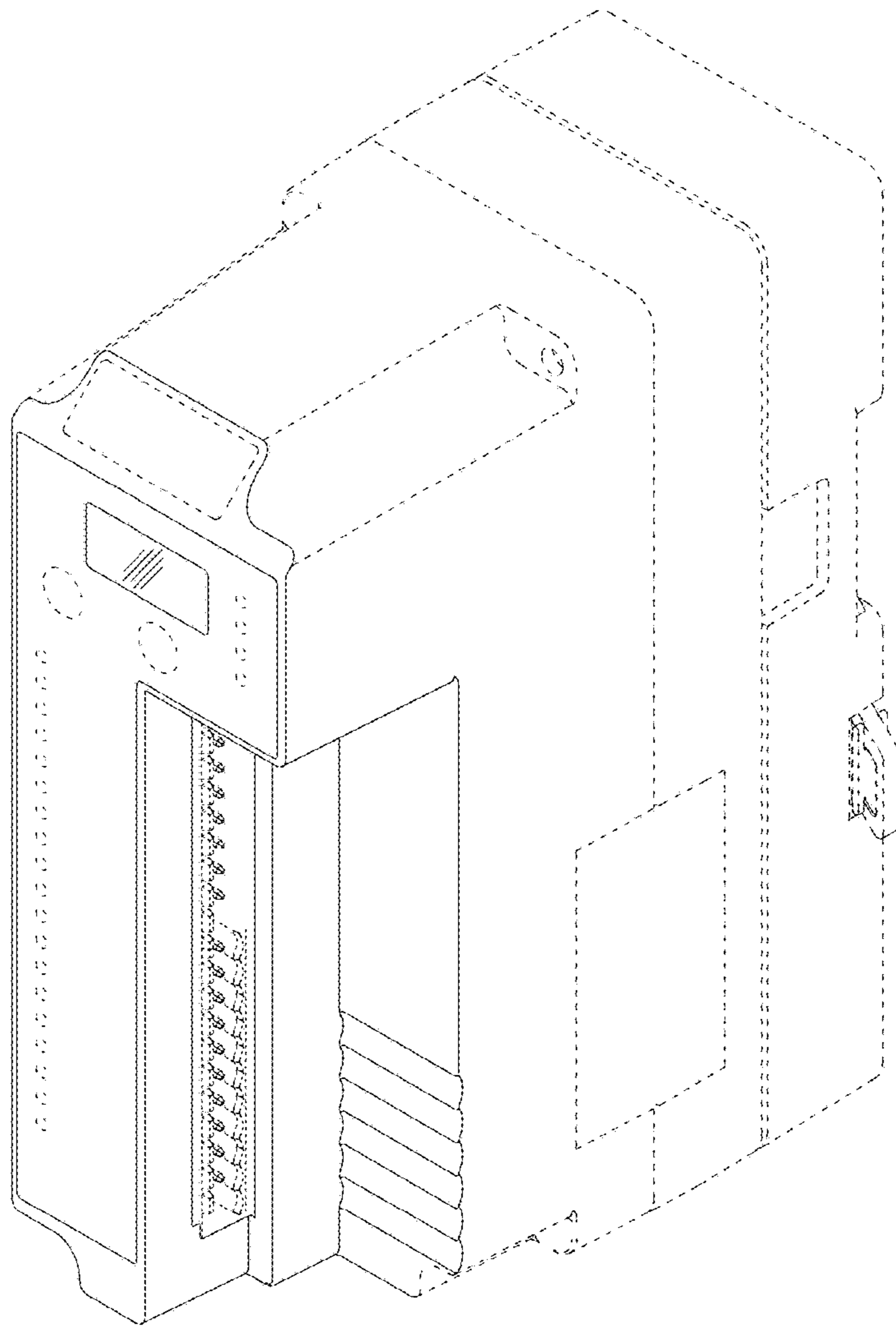


FIG. 1

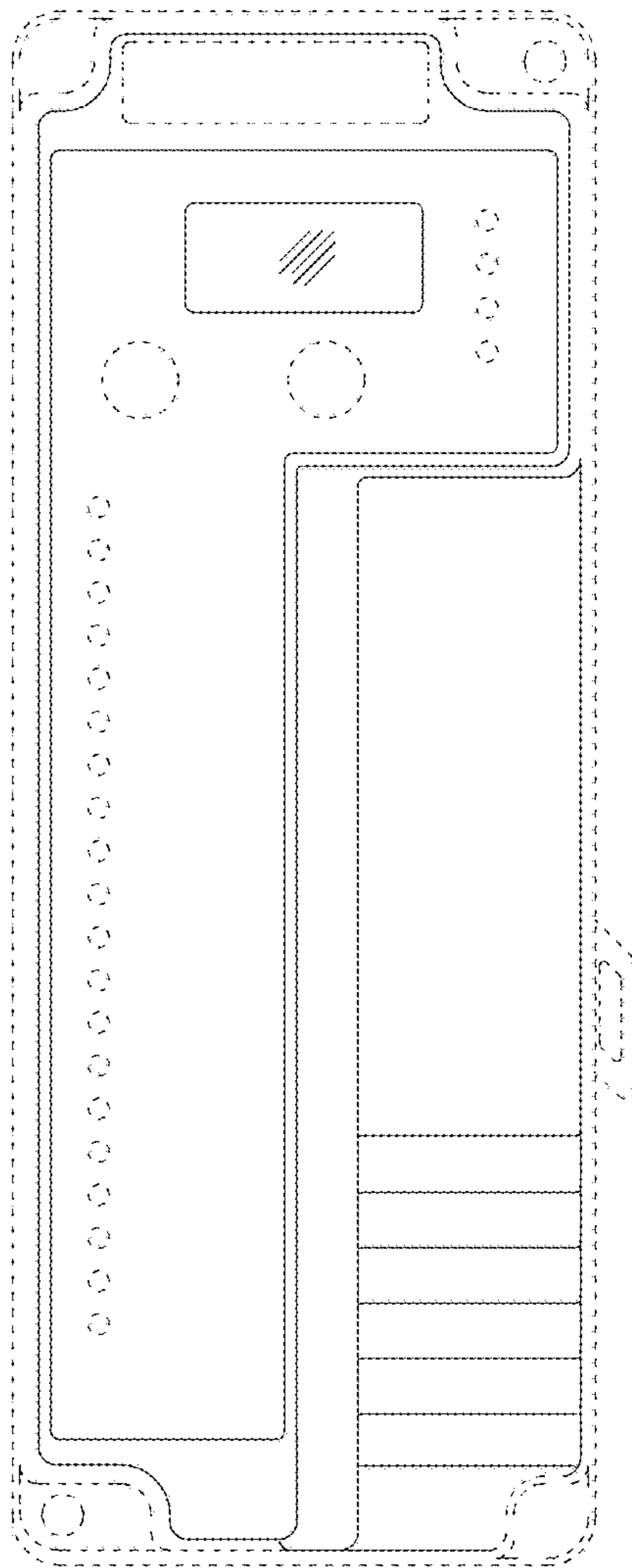


FIG. 2

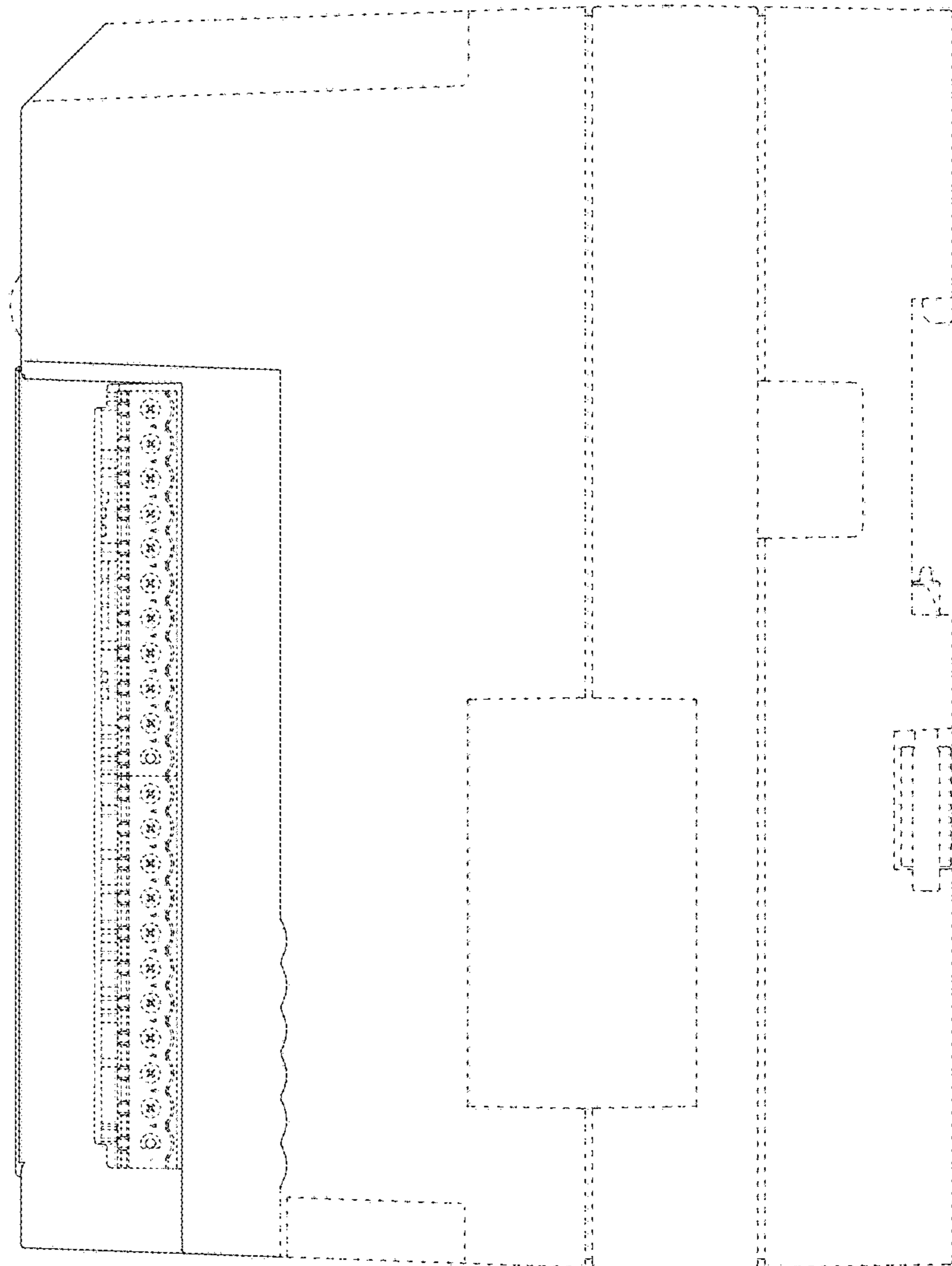


FIG. 3

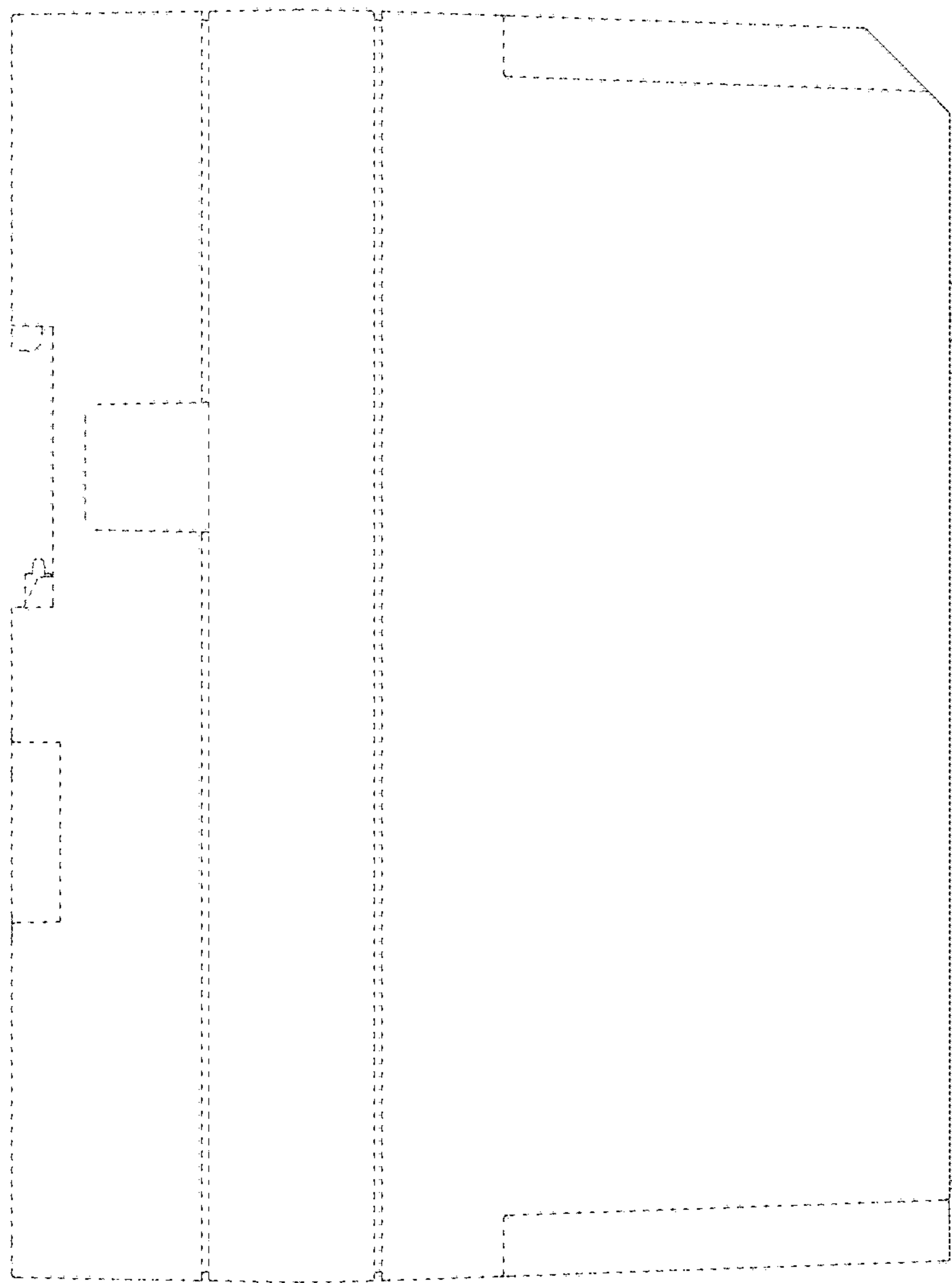


FIG. 4

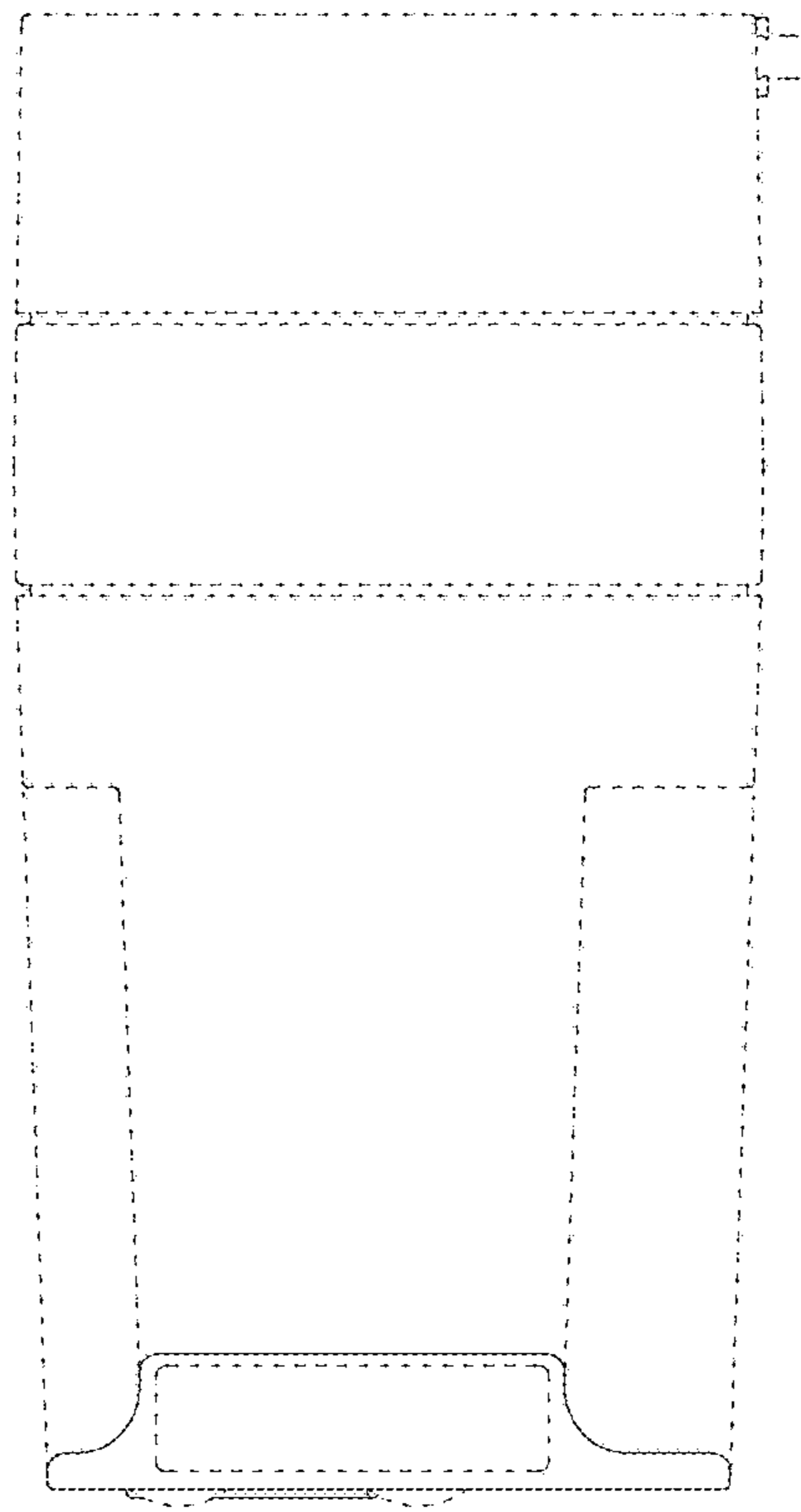


FIG. 5

