



US00D844770S

(12) **United States Design Patent**
Schulzman

(10) **Patent No.:** **US D844,770 S**

(45) **Date of Patent:** **** *Apr. 2, 2019**

(54) **CEILING FAN HOUSING WITH LIGHT FIXTURE**

(71) Applicant: **Minka Lighting, Inc.**, Corona, CA (US)

(72) Inventor: **Kurt Schulzman**, Long Beach, CA (US)

(73) Assignee: **Minka Lighting, Inc.**, Corona, CA (US)

(*) Notice: This patent is subject to a terminal disclaimer.

(**) Term: **15 Years**

(21) Appl. No.: **29/628,395**

(22) Filed: **Dec. 4, 2017**

Related U.S. Application Data

(63) Continuation of application No. 29/557,824, filed on Mar. 11, 2016, now Pat. No. Des. 804,646.

(51) **LOC (11) Cl.** **23-04**

(52) **U.S. Cl.**
USPC **D23/411**; D26/59

(58) **Field of Classification Search**
USPC D23/377, 379, 385, 387, 411-414, 499;
416/1, 5, 170 R, 214 R, 184, 206, 207,
416/210 R, 220 R, 244 R, 248; 392/364;
D26/59, 51, 72, 73, 80-86, 88, 90
CPC F04D 25/088; F04D 29/601; F04D 29/322;
F04D 29/324; F21V 33/0096
See application file for complete search history.

(56) **References Cited**

U.S. PATENT DOCUMENTS

4,592,702 A * 6/1986 Bogage F04D 25/088
310/89
D329,087 S * 9/1992 Markwardt D23/377

D372,080 S * 7/1996 Dolan D23/377
D389,908 S * 1/1998 Dolan D23/377
5,951,253 A * 9/1999 Gajewski F04D 25/088
416/205
6,171,060 B1 * 1/2001 Gajewski F04D 25/088
416/214 R
D453,216 S * 1/2002 Gajewski D23/377
D476,728 S * 7/2003 Gajewski D23/377
D477,068 S * 7/2003 Hsieh D23/377
D512,138 S * 11/2005 Clymer D23/377

(Continued)

Primary Examiner — Marie D. Fast Horse

(74) *Attorney, Agent, or Firm* — Baker & McKenzie LLP

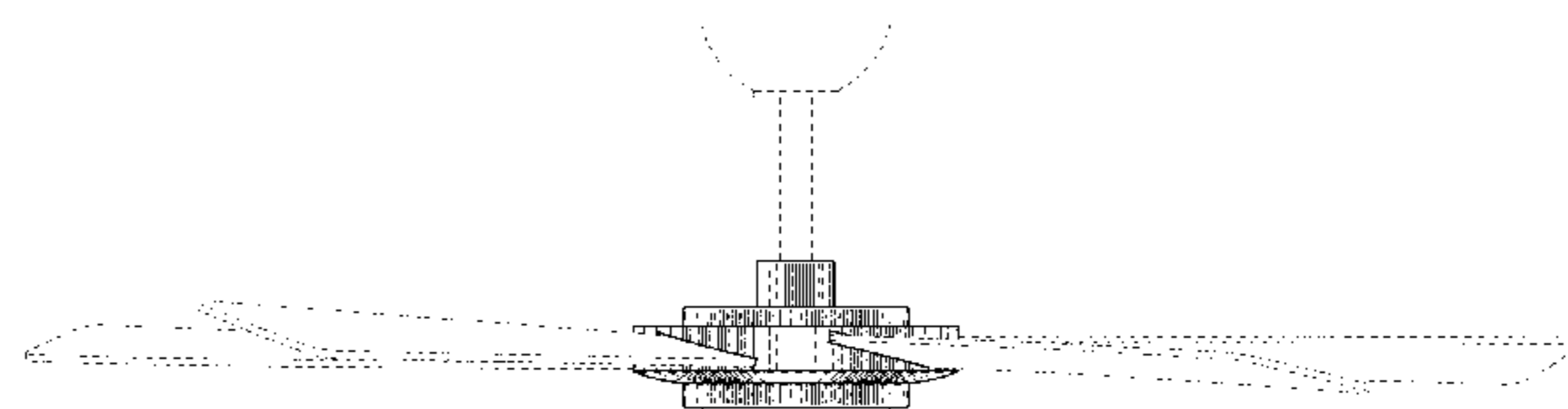
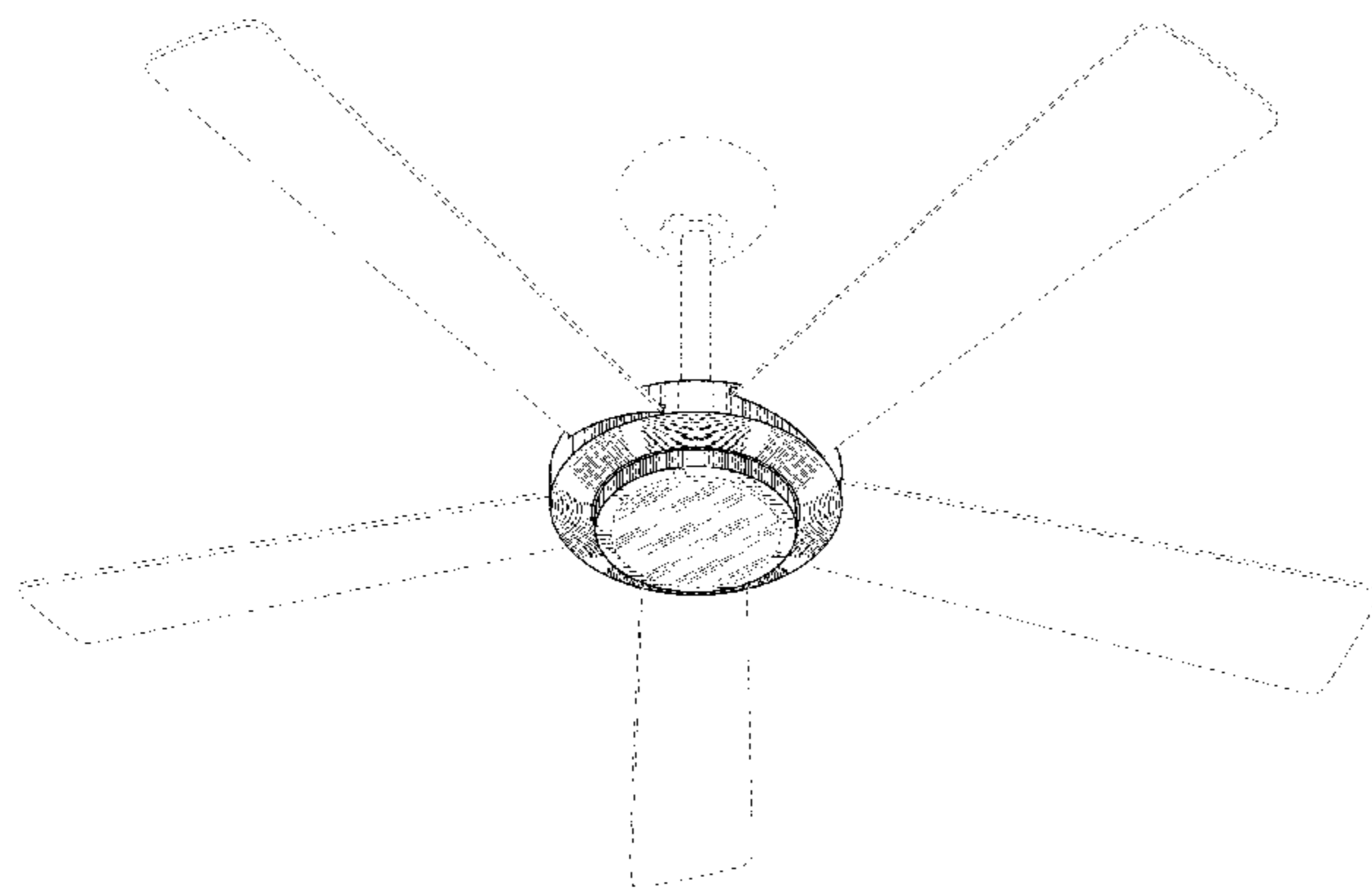
(57) **CLAIM**

The ornamental design for a ceiling fan housing with light fixture, as shown and described.

DESCRIPTION

FIG. 1 is a perspective view of a ceiling fan housing with light fixture in accordance with my design;
FIG. 2 is a top plan view of the ceiling fan housing with light fixture in accordance with my design;
FIG. 3 is a bottom plan view of the ceiling fan housing with light fixture in accordance with my design;
FIG. 4 is a front elevation view of the ceiling fan housing with light fixture in accordance with my design;
FIG. 5 is a rear elevation view of the ceiling fan housing with light fixture in accordance with my design;
FIG. 6 is a left-side elevation view of the ceiling fan housing with light fixture in accordance with my design; and,
FIG. 7 is a right-side elevation view of the ceiling fan housing with light fixture in accordance with my design.
The broken lines showing the fan blades, down rod, and ceiling mount depict environmental subject matter only and form no part of the claimed design.
All other broken lines depict portions of the ceiling fan housing with light fixture that form no part of the claimed design.

1 Claim, 5 Drawing Sheets



(56)

References Cited

U.S. PATENT DOCUMENTS

D532,510 S * 11/2006 Pickett D23/411
 7,210,910 B1 * 5/2007 Parker F04D 25/088
 416/223 R
 D583,923 S * 12/2008 Bucher D23/377
 D596,733 S * 7/2009 Kihara D23/377
 D596,734 S * 7/2009 Kihara D23/377
 D599,461 S * 9/2009 Ertze D23/377
 D603,955 S * 11/2009 Patton D23/411
 D621,969 S * 8/2010 Yamamoto D26/2
 D621,971 S * 8/2010 Yamamoto D26/2
 D627,053 S * 11/2010 Pan D23/411
 D627,456 S * 11/2010 Glasbrenner D23/411
 D627,873 S * 11/2010 Pan D23/411
 D627,874 S * 11/2010 Pan D23/411
 D628,688 S * 12/2010 Pan D23/377
 D628,722 S * 12/2010 Yamamoto D26/2
 D632,381 S * 2/2011 Davenport D23/377

D632,384 S * 2/2011 Pan D23/411
 D652,537 S * 1/2012 Wada D26/2
 D663,829 S * 7/2012 Allen D23/377
 D705,970 S * 5/2014 Ertze D26/59
 D706,970 S * 6/2014 Wang D26/59
 D707,336 S * 6/2014 Pan D23/377
 D714,471 S * 9/2014 Nojiri D26/2
 D715,917 S * 10/2014 Hidalgo D23/377
 D717,935 S * 11/2014 Strecker D23/377
 D719,252 S * 12/2014 Allen D23/385
 D745,956 S * 12/2015 Ertze D23/385
 D751,187 S * 3/2016 Dolan D23/377
 D756,501 S * 5/2016 Park D23/385
 D771,795 S * 11/2016 Wang D23/411
 D771,860 S * 11/2016 Weiss D26/110
 D773,634 S * 12/2016 Wang D23/385
 D804,010 S * 11/2017 Guthrie D23/377
 D804,646 S * 12/2017 Schulzman D23/411
 2010/0314941 A1 * 12/2010 Schulzman F04D 25/068
 307/40

* cited by examiner

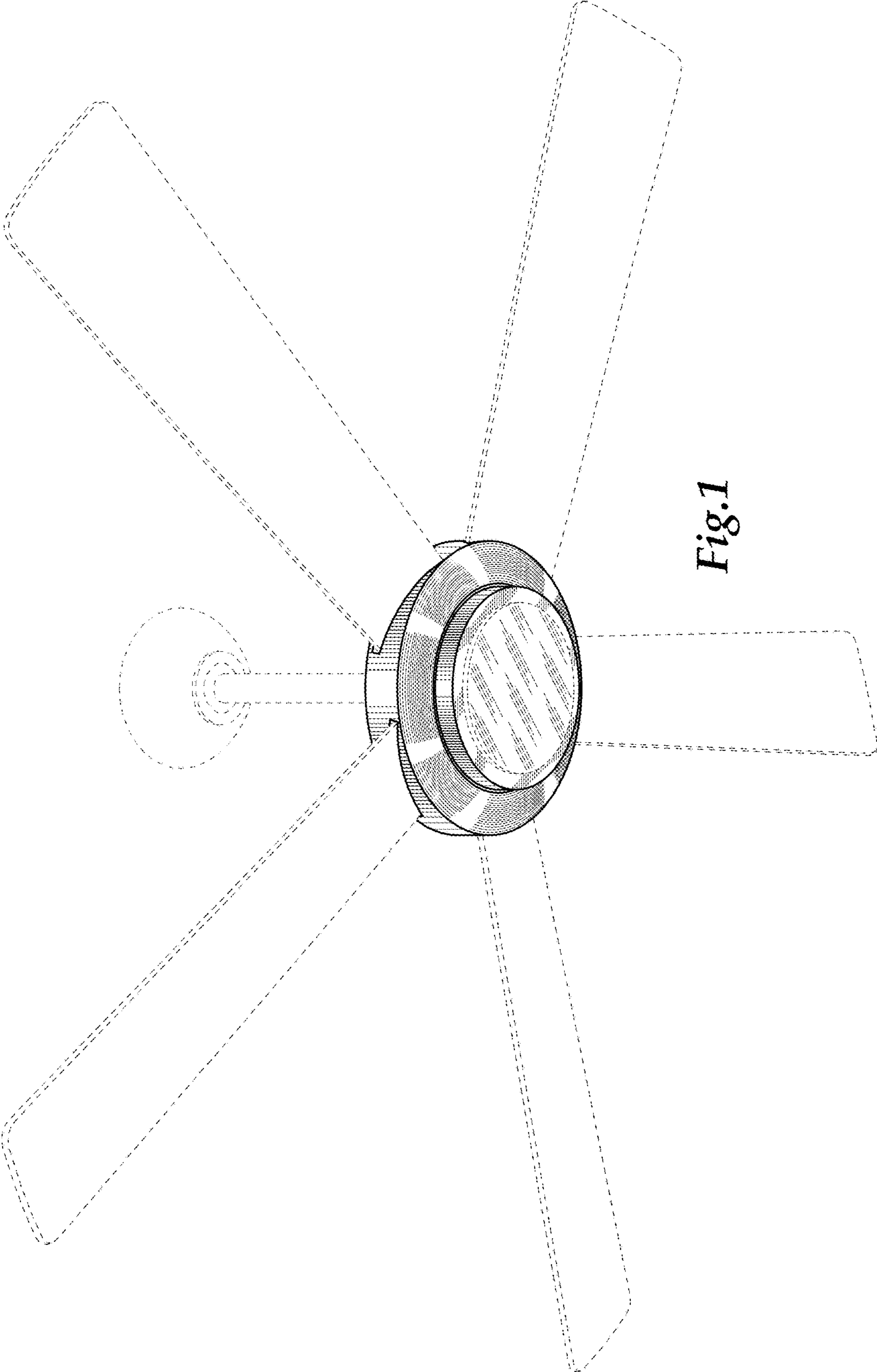


Fig. 1

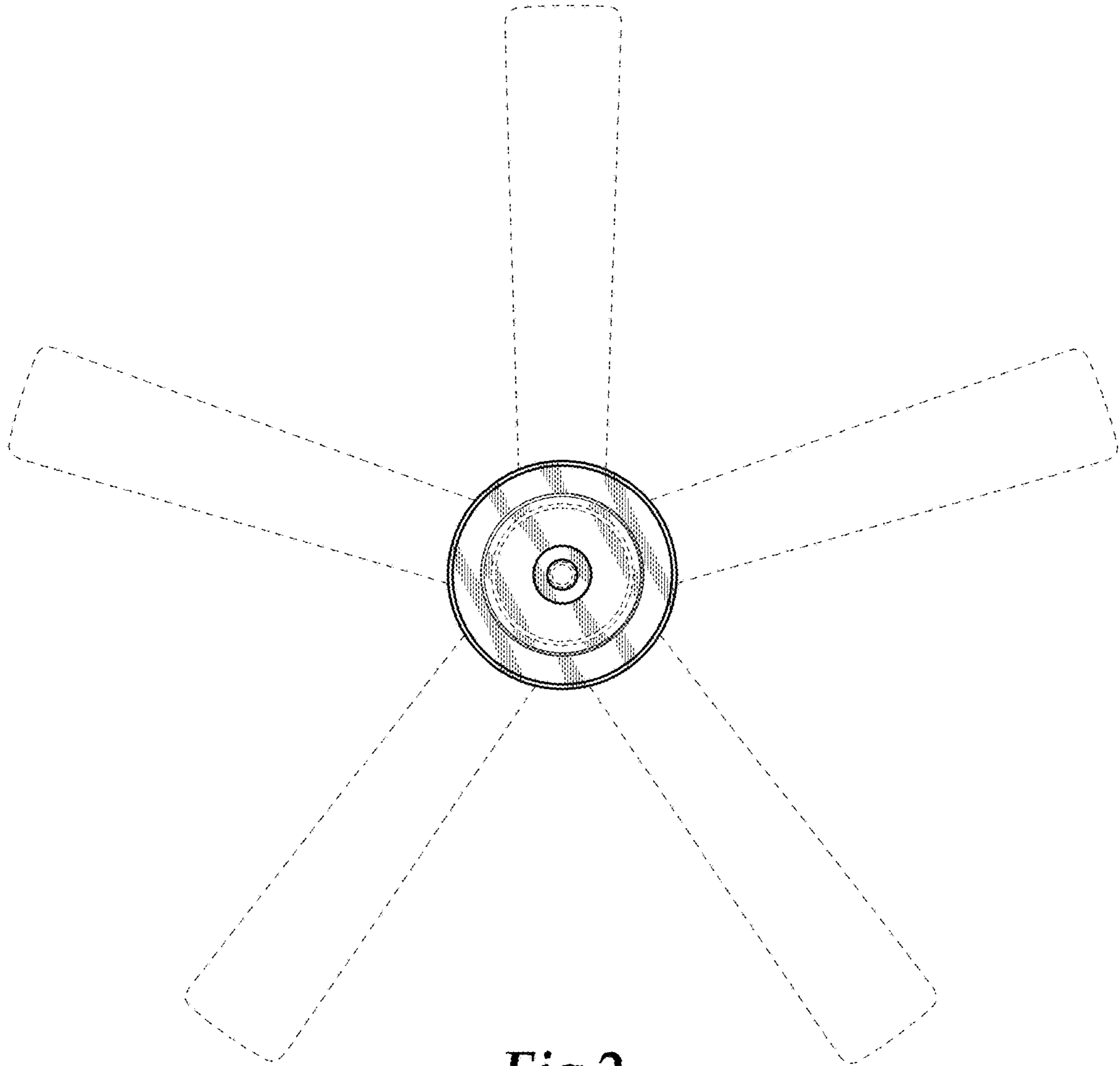


Fig.2

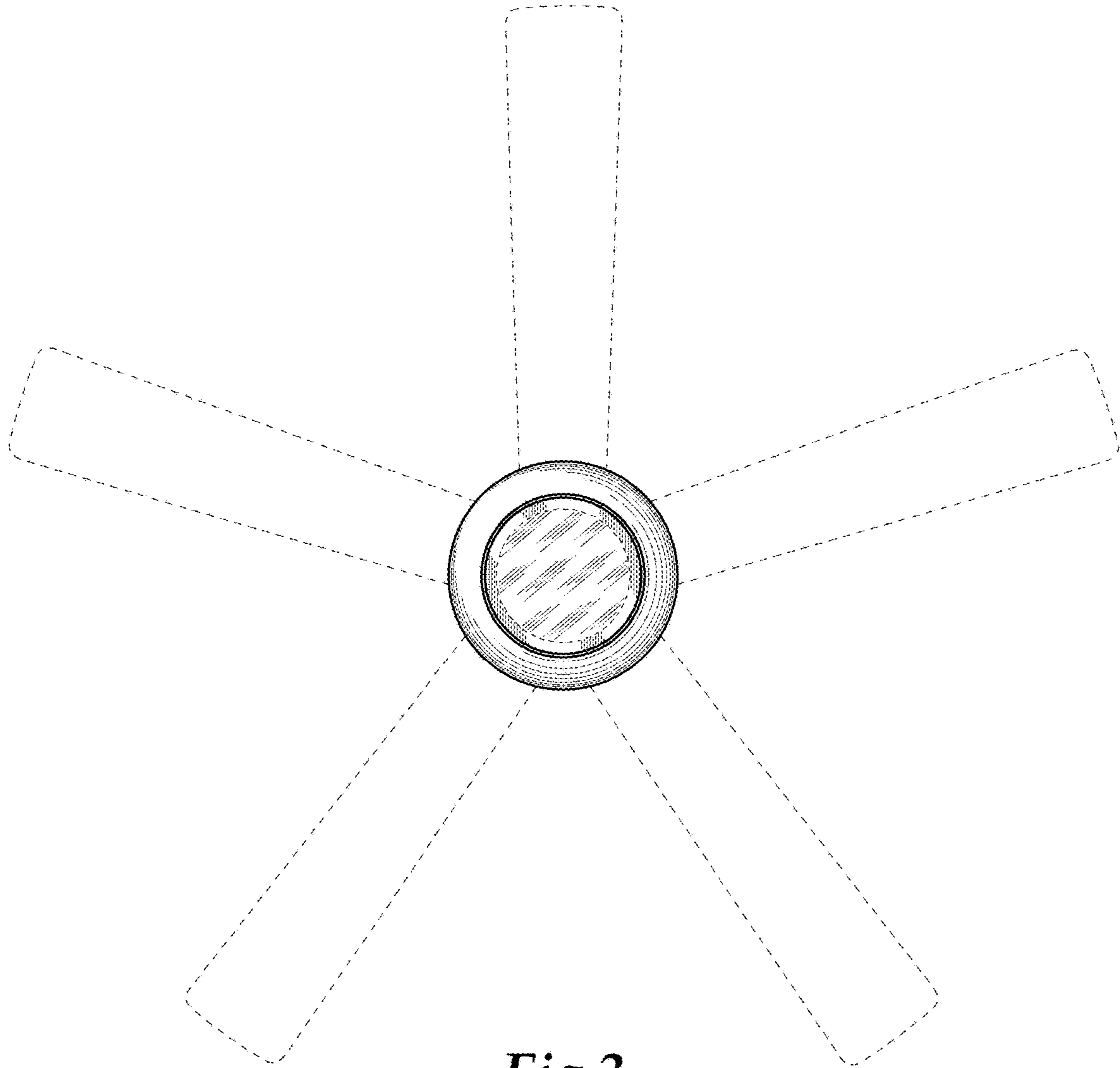


Fig.3

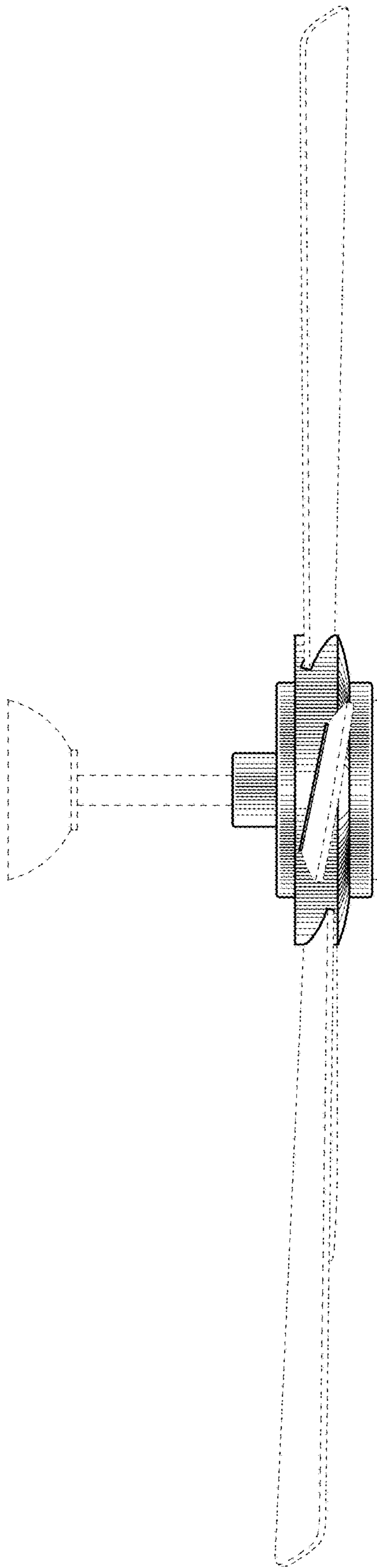


Fig. 4

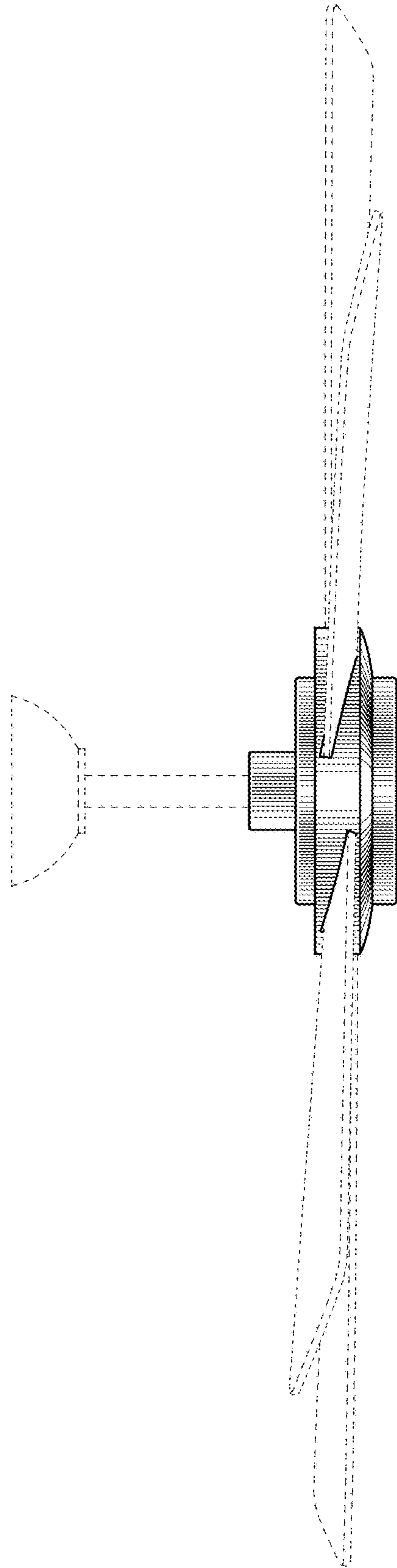


Fig. 5

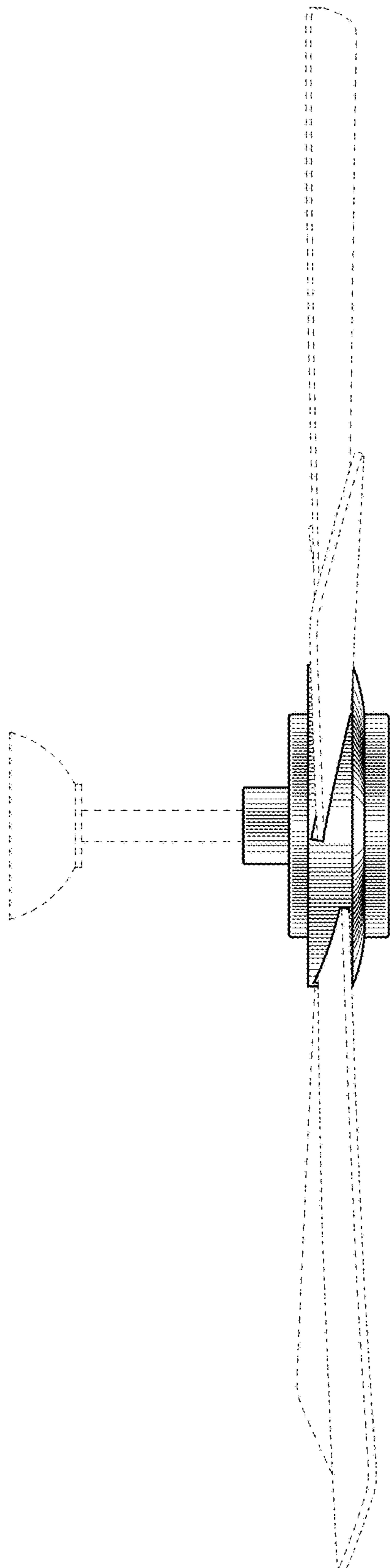


Fig. 6

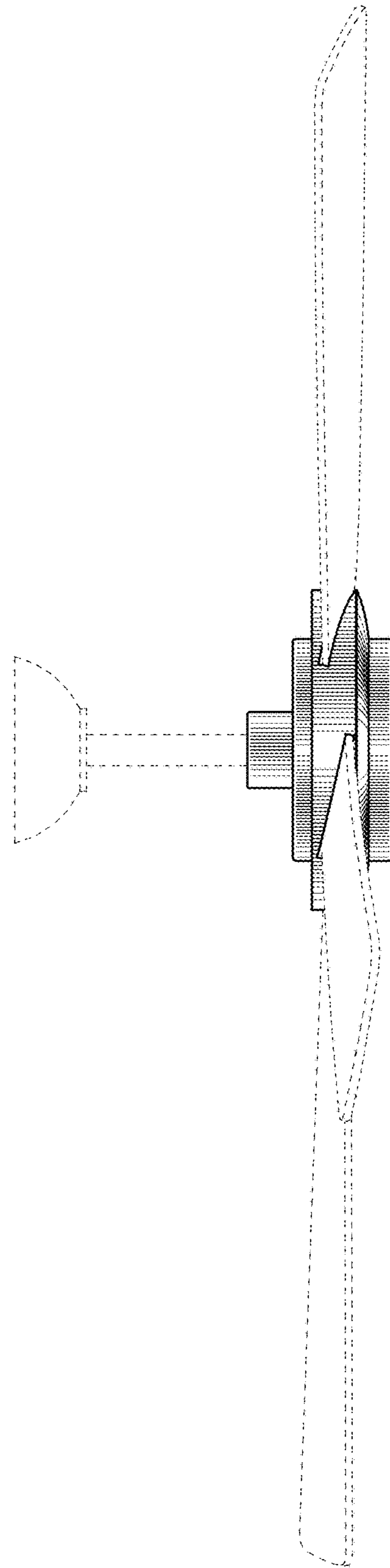


Fig. 7