



US00D844769S

(12) **United States Design Patent**
McRoberts et al.

(10) **Patent No.:** **US D844,769 S**
(45) **Date of Patent:** **** Apr. 2, 2019**

(54) **COMBINED CEILING FAN MOTOR HOUSING AND LIGHT FIXTURE**

FOREIGN PATENT DOCUMENTS

CN 105179315 12/2015

(71) Applicant: **HUNTER FAN COMPANY**,
Memphis, TN (US)

OTHER PUBLICATIONS

(72) Inventors: **Claire Bernice McRoberts**, Memphis,
TN (US); **Serenity Berntson**, Sausalito,
CA (US)

Hunter 59219 48" Leoni Ceiling Fan, date first available Feb. 29,
2016, amazon.com, site visited Apr. 2, 2018, Copyright © 1996-
2018, <https://www.amazon.com/Hunter-59219-Ceiling-Handheld-Brushed/dp/B01CDFZTQY/ref=sr_1_1?ie=UTF8&qid=1522679128&sr=8-1&keywords=hunter+ceiling+fan+leoni>.*

(73) Assignee: **Hunter Fan Company**, Memphis, TN
(US)

(Continued)

(**) Term: **15 Years**

Primary Examiner — Cathron C Brooks

(21) Appl. No.: **29/615,275**

Assistant Examiner — Sharon S Oum

(22) Filed: **Aug. 28, 2017**

(74) *Attorney, Agent, or Firm* — McGarry Bair PC

Related U.S. Application Data

(57) **CLAIM**

The ornamental design for a combined ceiling fan motor housing and light fixture, as shown and described.

(62) Division of application No. 29/557,336, filed on Mar. 8, 2016, now Pat. No. Des. 800,891.

DESCRIPTION

(51) **LOC (11) Cl.** **23-03**

(52) **U.S. Cl.**

USPC **D23/411**; D26/59; D26/89

(58) **Field of Classification Search**

USPC D23/335-337, 355, 370-385, 411-414;
D26/59, 67, 72, 80-89, 92, 104-105, 110,
D26/113, 118-119, 128-137
CPC F04D 25/088; F21V 33/0096; F21V 21/03;
F21V 17/002; F21V 23/007; F21V 23/04;
F21V 23/0485; F21V 15/01; F21V
19/006;

(Continued)

FIG. 1 is a top perspective view of a combined ceiling fan motor housing and light fixture;
FIG. 2 is a bottom perspective view of the combined ceiling fan motor housing and light fixture of FIG. 1;
FIG. 3 is a top view of the combined ceiling fan motor housing and light fixture of FIG. 1;
FIG. 4 is a bottom view of the combined ceiling fan motor housing and light fixture of FIG. 1.
FIG. 5 is a right side view of the combined ceiling fan motor housing and light fixture of FIG. 1;
FIG. 6 is a left side view of the combined ceiling fan motor housing and light fixture of FIG. 1;
FIG. 7 is a front side view of the combined ceiling fan motor housing and light fixture of FIG. 1; and,
FIG. 8 is a rear side view of the combined ceiling fan motor housing and light fixture of FIG. 1.

The broken lines illustrate portions of the combined ceiling fan motor housing and light fixture that form no part of the claimed design.

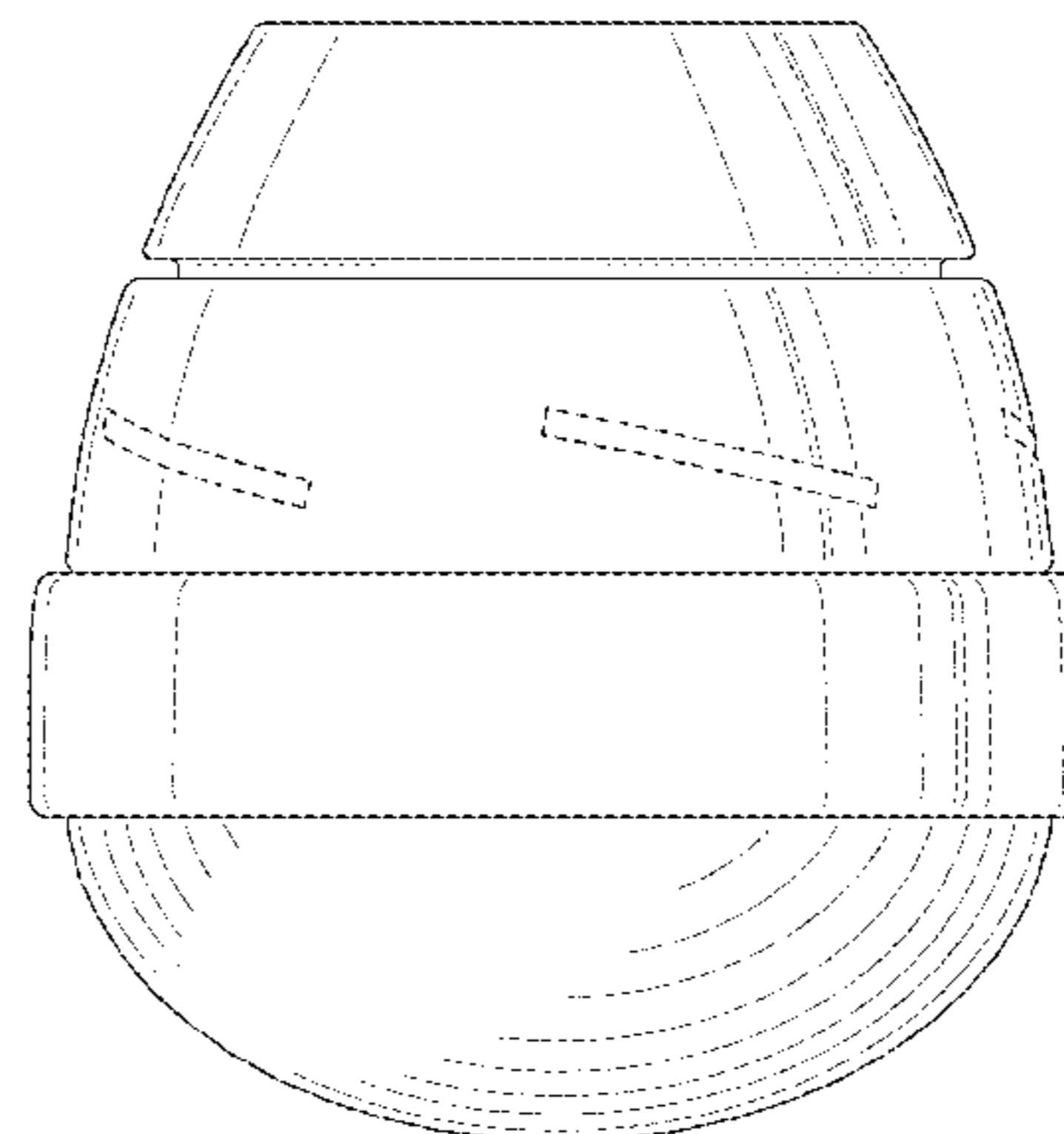
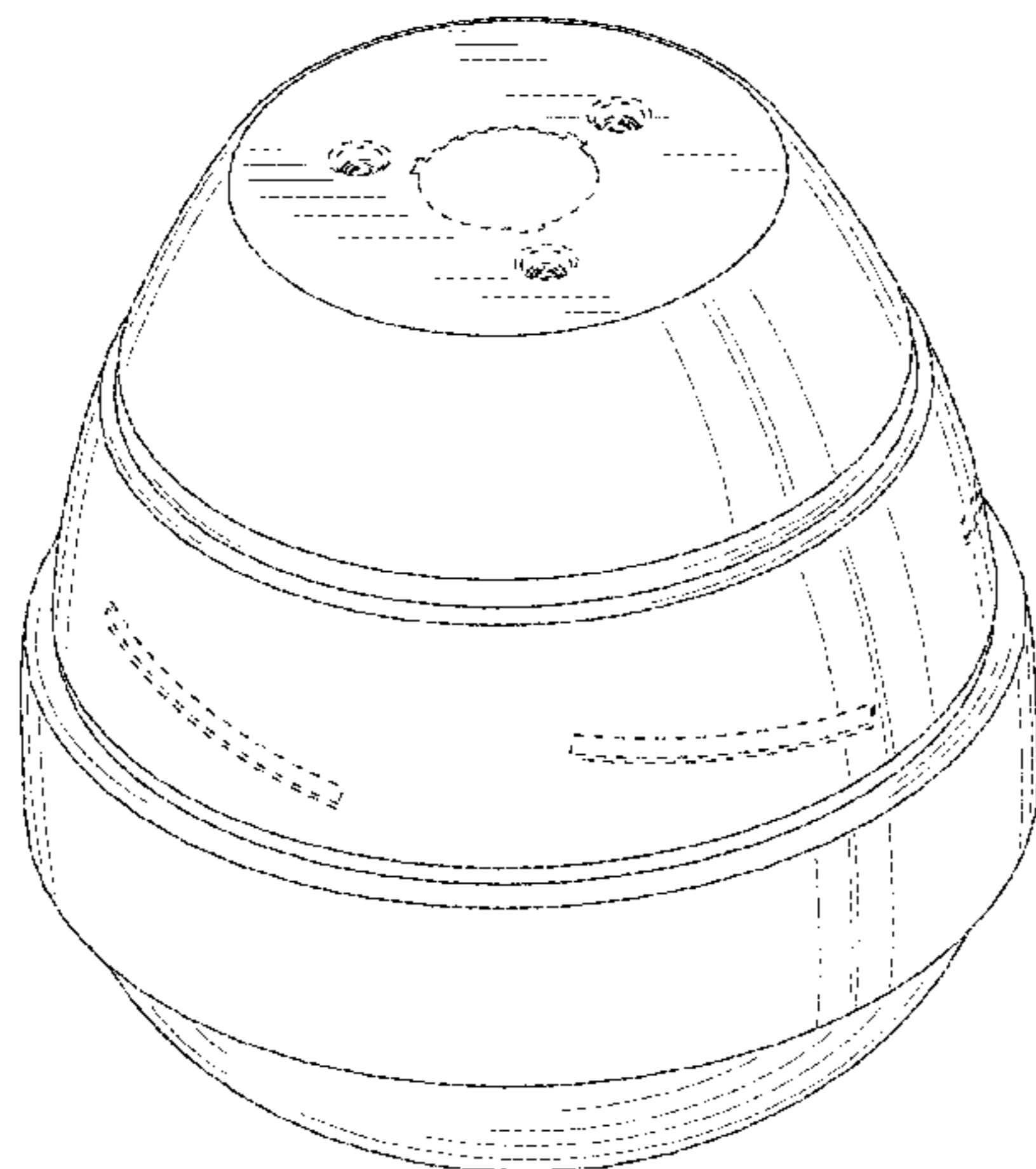
(56) **References Cited**

U.S. PATENT DOCUMENTS

D48,034 S * 10/1915 McKinnie D26/88
D75,509 S * 6/1928 Moore D26/131
D126,211 S * 4/1941 Rolph D26/132

(Continued)

1 Claim, 8 Drawing Sheets



(58) **Field of Classification Search**
 CPC F21V 19/04; F21V 21/02; F21V 23/002;
 F21V 23/005; F21V 33/0052; F21V 7/22
 See application file for complete search history.

(56) **References Cited**

U.S. PATENT DOCUMENTS

D270,942 S 10/1983 McCain
 D315,946 S 4/1991 Hollbrook
 D325,776 S 4/1992 Scofield et al.
 D328,638 S 8/1992 Hsieh
 D329,894 S * 9/1992 Scofield D23/377
 5,151,011 A 9/1992 Rezek
 D342,311 S 12/1993 Rezek
 D346,439 S 4/1994 Liu
 D346,858 S 5/1994 Lee
 D347,887 S 6/1994 Liu
 D386,257 S 11/1997 Liu
 D389,908 S 1/1998 Dolan
 D393,902 S 4/1998 Pickett
 D394,103 S 5/1998 Lee
 D396,530 S 7/1998 Tai
 D400,280 S * 10/1998 Leen D26/71
 D413,165 S 8/1999 Tsuji
 D426,339 S * 6/2000 Chen D26/142
 D427,672 S 7/2000 Lee
 D433,114 S 10/2000 Liu
 D447,829 S * 9/2001 Bradford D26/85
 D453,563 S 2/2002 Bogazzi
 D454,633 S 3/2002 Young
 D466,206 S * 11/2002 Gajewski D23/377
 D468,049 S * 12/2002 Ries D26/89
 D473,887 S * 4/2003 Jones 396/427
 D475,782 S 6/2003 Hidalgo
 D476,408 S 6/2003 Hidalgo
 D477,397 S 7/2003 Chen
 D478,974 S 8/2003 Hidalgo
 D478,980 S 8/2003 Hidalgo
 D479,623 S * 9/2003 Fu D26/118
 D484,964 S * 1/2004 Young D23/377
 D485,608 S * 1/2004 Chen D23/377
 D488,554 S 4/2004 Bacon et al.
 D495,411 S 8/2004 Chen
 D505,196 S 5/2005 Bacon et al.
 D506,822 S 6/2005 Young
 D512,139 S 11/2005 Hidalgo
 D517,194 S 3/2006 Gerhardt et al.
 D521,142 S 5/2006 Gerhardt et al.
 D524,928 S 7/2006 Young
 D525,699 S * 7/2006 Davenport D23/377
 D551,796 S * 9/2007 Acedo D26/88
 D558,248 S * 12/2007 Togawa D16/203
 D571,034 S * 6/2008 Goetz-Schaefer D26/85
 D571,035 S * 6/2008 Yu D26/89
 D607,096 S * 12/2009 Searle D23/377
 D615,692 S * 5/2010 Lavallee D26/67
 D621,024 S 8/2010 Orozco
 D628,738 S * 12/2010 Chen D26/89
 D630,312 S 1/2011 Spaulding
 D632,381 S 2/2011 Davenport et al.
 D639,996 S * 6/2011 Stolte D26/89
 D645,583 S * 9/2011 Kim D26/2
 8,218,805 B2 * 7/2012 Hornback H04R 1/025
 381/124
 D686,362 S * 7/2013 Melrose D26/118
 D688,720 S * 8/2013 Yilin D16/203
 D702,275 S * 4/2014 Ying D16/203
 D706,410 S * 6/2014 Pan D23/411
 D729,970 S * 5/2015 Jepson D26/89
 D739,001 S * 9/2015 Crisa' D23/372
 D744,633 S * 12/2015 Wang D23/411
 D747,824 S * 1/2016 Stolte F21V 29/004
 D26/89
 D753,753 S * 4/2016 Moon D16/203
 D753,866 S * 4/2016 Stolte D26/89
 D758,230 S 6/2016 Hojmose

D770,672 S * 11/2016 Ju D26/128
 D782,103 S * 3/2017 Shields D26/124
 D783,145 S 4/2017 Wang
 D785,848 S * 5/2017 Couture D26/89
 D789,511 S * 6/2017 Wang D23/377
 D796,024 S * 8/2017 Holmes D23/377
 D799,684 S * 10/2017 Wang D23/411
 D800,289 S * 10/2017 Guthrie D23/377
 D800,891 S * 10/2017 McRoberts D23/377
 D805,174 S * 12/2017 Guthrie D23/377
 D805,175 S * 12/2017 Hagggar D23/377
 D808,509 S * 1/2018 Gajewski D23/377
 D809,691 S * 2/2018 Wang D26/59
 2015/0009666 A1 * 1/2015 Keng F21V 23/005
 362/235
 2015/0369252 A1 * 12/2015 Janecek H02K 21/145
 417/420

OTHER PUBLICATIONS

<http://www.modernfan.com/products/ball.html>, Item Specification for the Modern Fan Co. Ball, accessed Mar. 8, 2016.
<http://www.minkagroup.net/all-collections?keys=concept>, Item Specification for the MinkaAire Concept I Model No. F516-BN 3 Concave Blades in Brushed Nickel Finish w/Silver Blades Integrated Halogen Lights, accessed Mar. 8, 2016.
<http://www.minkagroup.net/all-collections?keys=concept>, Item Specification for the MinkaAire Concept II Model No. F519-BN 52" 3 Concave Blades in Brushed Nickel Finish w/Silver Blades Integrated Halogen Lights, accessed Mar. 8, 2016.
<http://www.modernfan.com/products/dcslim.html>, Item Specification for the Modern Fan Co DC Slim, accessed Mar. 8, 2016.
<http://ceilingfans.emerson.com/shop/en/fan/fan-s-all/fans-s-browse-all/44-curva-sky-fan-p-cf144>, Item Specification for the Emerson Curva Sky 44" Curva Sky Model No. SKU: CF144WW, accessed Mar. 8, 2016.
<http://ceilingfans.emerson.com/shop/en/fan/fan-s-all/fans-s-browse-all/52-curva-fan-p-cf252>, Item Specification for the Emerson Curva 52" Curva Model No. SKU: CF252WW, accessed Mar. 8, 2016.
<http://www.modernfan.com/products/altusHugger.html>, Item Specification for the Modern Fan Co. Atlas Hugger, accessed Mar. 8, 2016.
http://www.lowes.com/pd_698414-82939-40747_1z0vgaxZ1z140v4_?productId=999945832&pl=1, Item Specification for the Harbor Breeze 44-in Oil Rubbed Bronze Downrod or Close Mount Indoor Ceiling Fan with Light Kit and Remote Control (3-Blade), Item #: 698414 | Model #: 40747, accessed Mar. 8, 2016.
<http://www.hunterpacific.com.au/intercept2.php>, Item Specification for the Hunter Pacific Intercept 2, accessed Mar. 8, 2016.
<http://www.kingoffans.com/#/products/ceilingFans>, Item Specification for the King of Fans Corrado Model No. 51543, accessed Mar. 8, 2016.
<http://www.hunterfan.com/ceiling-fans/arvada>, Item Specification for the Hunter Fan Arvada 52" Ceiling Fan Model No. 59035 Brushed Nickel Finish 4 Chocolate blades included, accessed Mar. 8, 2016.
<http://www.quoruminternational.com/index.cfm/app/productDetail?product=20543-965>, Item Specification for the Quorum International Model No. 20543-965 Stn—Satin Nickel Ceiling Fan (2) 40W C Satin Nickel blades, accessed Mar. 8, 2016.
<http://www.homedepot.com/p/GE-Treviso-52-in-Oil-Rubbed-Bronze-Indoor-LED-Ceiling-Fan-20321/206087472>, GE Treviso Item Specification for the Model # 20321 Treviso 52 in. Oil Rubbed Bronze Indoor LED Ceiling Fan, accessed Mar. 8, 2016.
<http://www.fanimation.com/products/index.php/fans/xeno.html>, Item Specification for the Fanimation Xeno Model No. FP6728, accessed Mar. 8, 2016.
<http://www.homedepot.com/p/Hampton-Bay-Northport-52-in-Brushed-Nickel-Ceiling-Fan-14926/202790687>, Item Specification for the Hampton Bay Northport Model # 14926 Internet # 202790687 Northport 52 in. Brushed Nickel Ceiling Fan, accessed Mar. 8, 2016.
<http://www.minkagroup.net/minka-aire/products>, Item Specification for the Minka Aire Java Model No. F753-BNW, accessed Mar. 8, 2016.

(56)

References Cited

OTHER PUBLICATIONS

<http://www.kichler.com/products/product/52-inch-vassar-ceiling-fan-ni-300175ni.aspx>, Item Specification for the Kichler Riggs Fan Vassar Collection 52 Inch Vassar Ceiling Fan NI 300175NI (Brushed Nickel), accessed Mar. 8, 2016.

<http://www.montecarlofans.com/44069/52in-Diamond—Polished-Nickel-4DDR52PND.html>, Item Specification for the Monte Carlo Fans Diamond Product #: 4DDR52PND, accessed Mar. 8, 2016.

<http://www.montecarlofans.com/38118/54-Butterfly—Brushed-Steel-4BFR54BSD.html>, Item Specification for the Monte Carlo Fans Butterfly Product #: 4BFR54BSD, accessed Mar. 8, 2016.

<http://www.quoruminternational.com/index.cfm/app/productDetail?product=42523-65>, Item Specification for the Quorum International Model No. 42523-65, accessed Mar. 8, 2016.

<http://www.homedepot.com/p/Casablanca-Isotope-44-in-Direct-Touch-Brushed-Nickel-Ceiling-Fan-59019/203472163>, Item Specification for the Casablanca Model # 59019 Internet # 203472163 Isotope 44 in. Direct Touch Brushed Nickel Ceiling Fan, accessed Mar. 8, 2016.

<http://www.homedepot.com/p/Hunter-Sonic-52-in-Brushed-Nickel-Ceiling-Fan-59072/204788065>, Item Specification for the Hunter Sonic Model # 59072 Internet # 204788065 Sonic 52 in. Brushed Nickel Ceiling Fan, accessed Mar. 8, 2016.

<http://www.homedepot.com/p/Hampton-Bay-Sovana-44-in-White-Ceiling-Fan-14412/203697108>, Item Specification for the Hampton Bay Sovana Model # 14412 Sovana 44 in. White Ceiling Fan, accessed Mar. 8, 2016.

<http://www.montecarlofans.com/30522/56-Veer-Fan-w/-Remote-&-Light-Kit--3VER56PND.html>, Item Specification for the Monte Carlo Fans Veer Product #: 3VER56PND, accessed Mar. 8, 2016.

<http://www.menards.com/main/p-1444427219599-c-7488.htm?tid=2586061917143359280>, Item Specification for the Turn of the Century Photon 52 in. English Bronze Ceiling Fan Model Number: MEN-ST230585, accessed Mar. 8, 2016.

<http://www.casablancafanco.com/Ceiling-Fans/Isotope?ModelNumber=59020>, Item Specification for the Casablanca Fan Co Isotope Model 59020 Brushed Cocoa 5 Espresso Veneer Exclusive blades included, accessed Mar. 8, 2016.

<http://www.hunterfan.com/Ceiling-Fans/Landsdowne?ModelNumber=59172>, Item Specification for the Hunter Fan Landsdowne 52"

Ceiling Fan Model No. 59172 Cheyenne Bronze Finish 5 Burnished Grey Pine / Grey Pine Reversible blades included, accessed Mar. 8, 2016.

<http://www.quoruminternational.com/index.cfm/app/productDetail?product=65524-8>, Item Specification for the Quorum International 65524-8 Model No. 65524-8, accessed Mar. 8, 2016.

<http://www.quoruminternational.com/index.cfm/app/productDetail?product=88525-16>, Item Specification for the Quorum International Model No. 88525-16, accessed Mar. 8, 2016.

Emerson Ceiling Fans CF244ORB, Curva, date first available Jan. 18, 2010, amazon.com, site visited Jul. 14, 2017, Copyright 1996-2017. Available from Internet, https://www.amazon.com/Emerson-Ceiling-CF244ORB-Outdoor-44-Inch/dp/B00350QGIY/ref=sr_1_1?ie=UTF8&sr=8-1-spons&keywords=emerson+curva&psc=1.

Minka Aire F577-BNW Concept I Outdoor Ceiling Fan, date first available Jan. 18, 2010, amazon.com, site visited Jul. 14, 2017, Copyright 1996-2017, Available from Internet, https://amazon.com/577-BNW-Concept-Outdoor-Ceiling-Integrated/dp/B003V6PN6Q/ref=sr_1_1?ie=UTF8&qid=1498058930&sr=8-1-spons&keywords=minka+aire+.

Vaxcel FN52238OBB Fresco II Dual Mount Ceiling Fan, date first available Apr. 4, 2009, amazon.com, site visited Jul. 14, 2017, Copyright 1996-2017, Available from Internet, https://amazon.com/Vaxcel-FN52238OBB-Fresco-Ceiling-Burnished/dp/B00258T2K4/ref=sr_1_1?ie=UTF8&qid=1498063107&sr=8-1&keywords=Vaxcel+Lighting+Fr.

Quorum International 142523-86 Bronz 3-Blade Patio Ceiling Fan with Walnut ABS Blades and Integrated Light Kit, date first available Mar. 21, 2013, amazon.com, site visited Jul. 14, 2017, Copyright 1996-2017, Available from Internet, <https://www.amazon.com/Quorum-International-142523-86-3-Blade-Integrated/dp/B00CYA86YQ/>.

Modern Fan GUS-BN, date first available Jun. 16, 2011, amazon.com, site visited Jul. 14, 2017, Copyright 1996-2017, Available from Internet, https://www.amazon.com/Modern-Fan-Outdoor-Ceiling-GUS-BL-56-NK/dp/B0056AW188/ref=sr_1_1?ie=UTF8&qid=1500043904&sr=8-1&keywords=modern+fan+company+gusto.

Hampton Bay Northport, date first available Oct. 5, 2012, amazon.com, site visited Jul. 14, 2017, Copyright 1996-2017, Available from Internet, https://www.amazon.com/Northport-Brushed-Nickel-x52-Nickel/dp/B009M9AB8Q/ref=sr_1_1?ie=UTF8&qid=1500044183&sr=8-1&keywords=hampton+bay+northport.

* cited by examiner

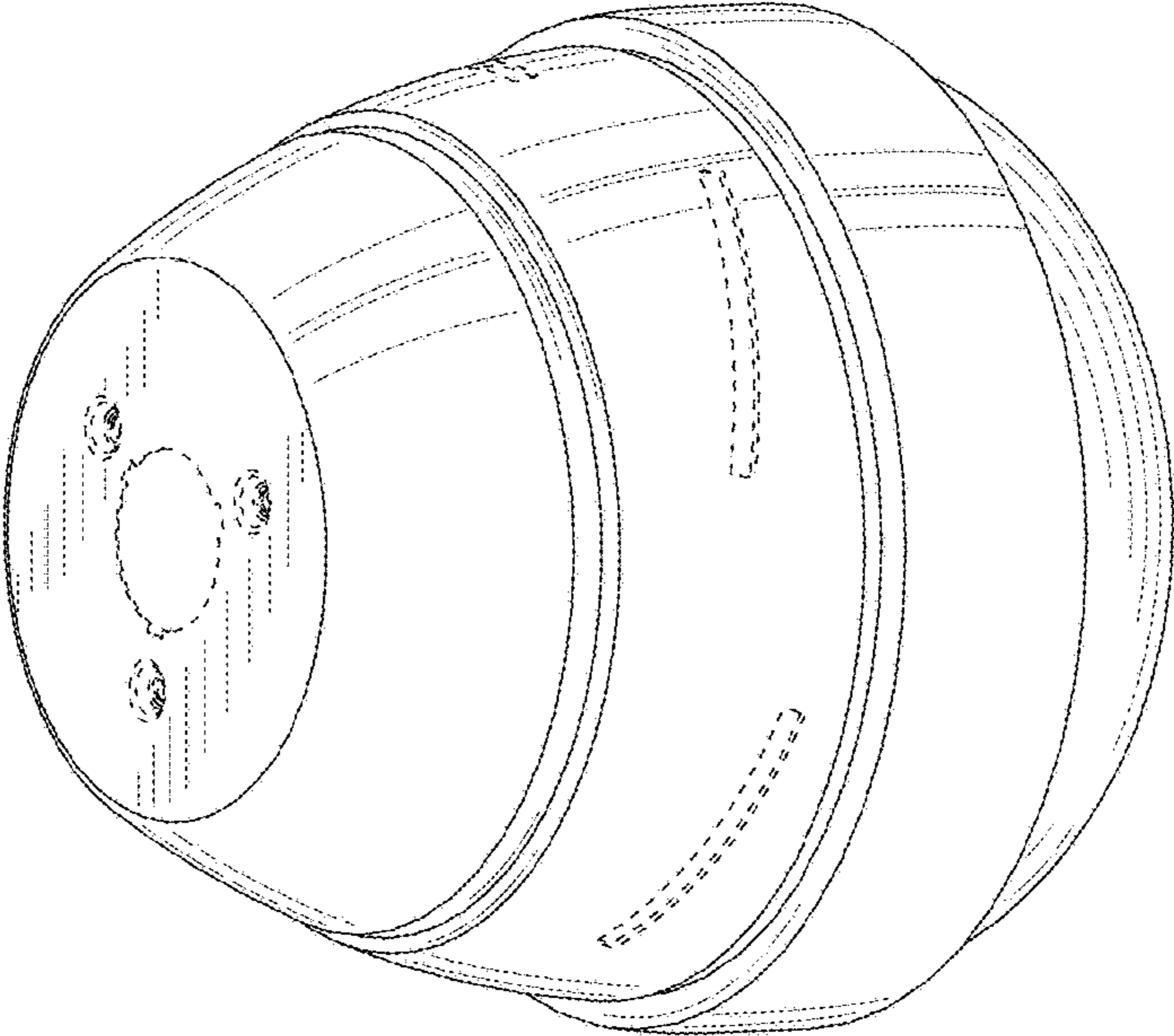


FIG. 1

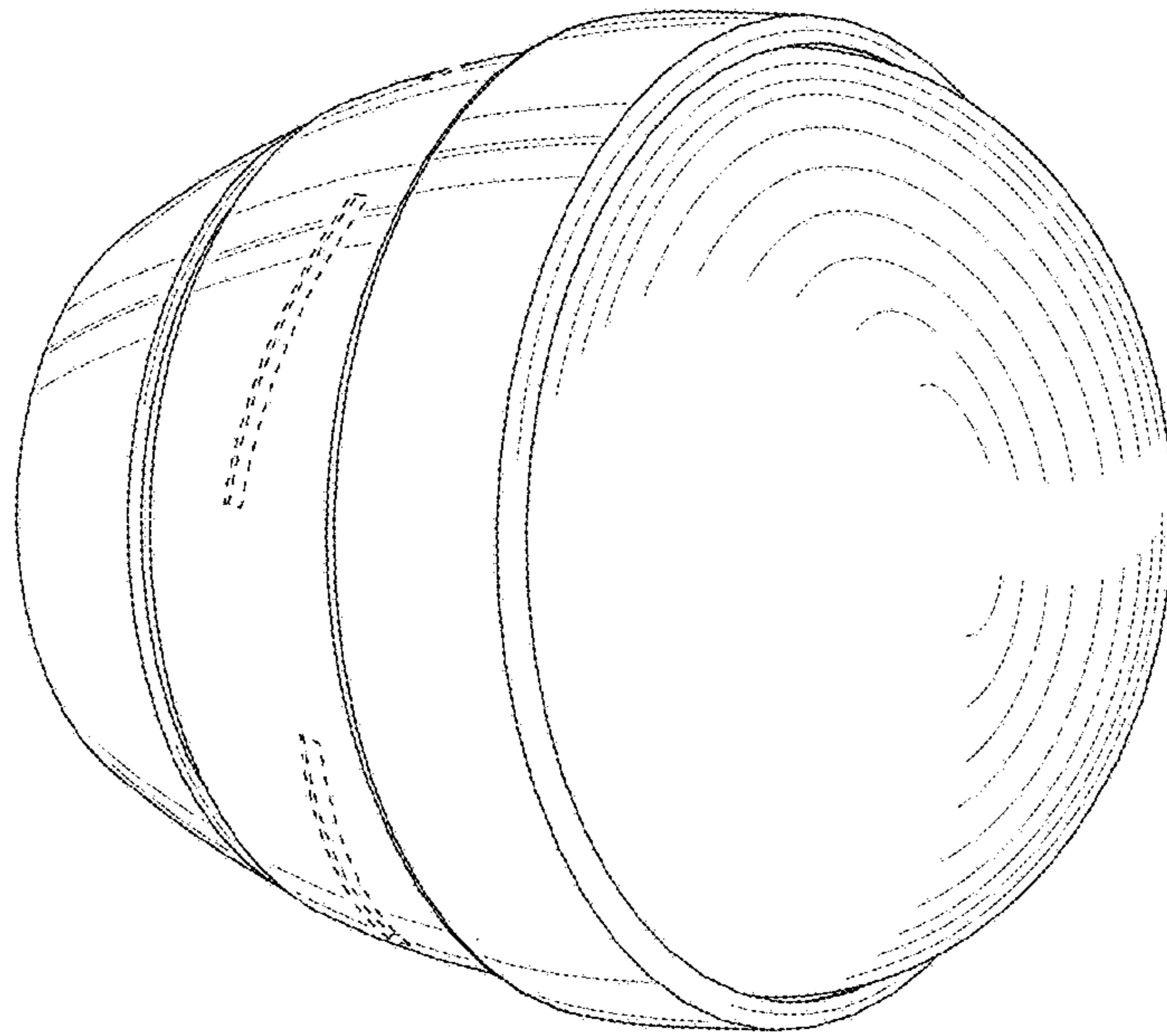


FIG. 2

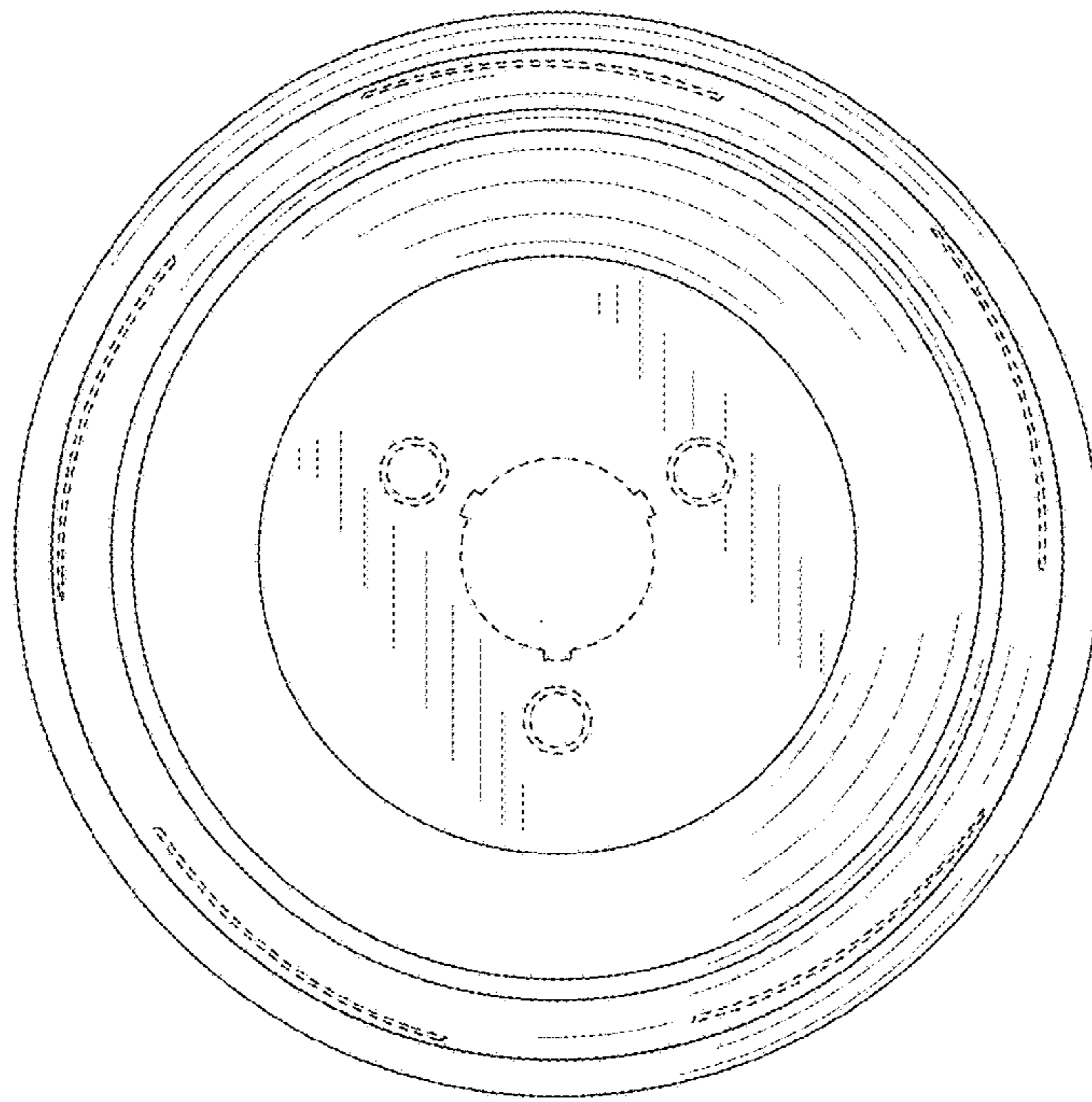


FIG. 3

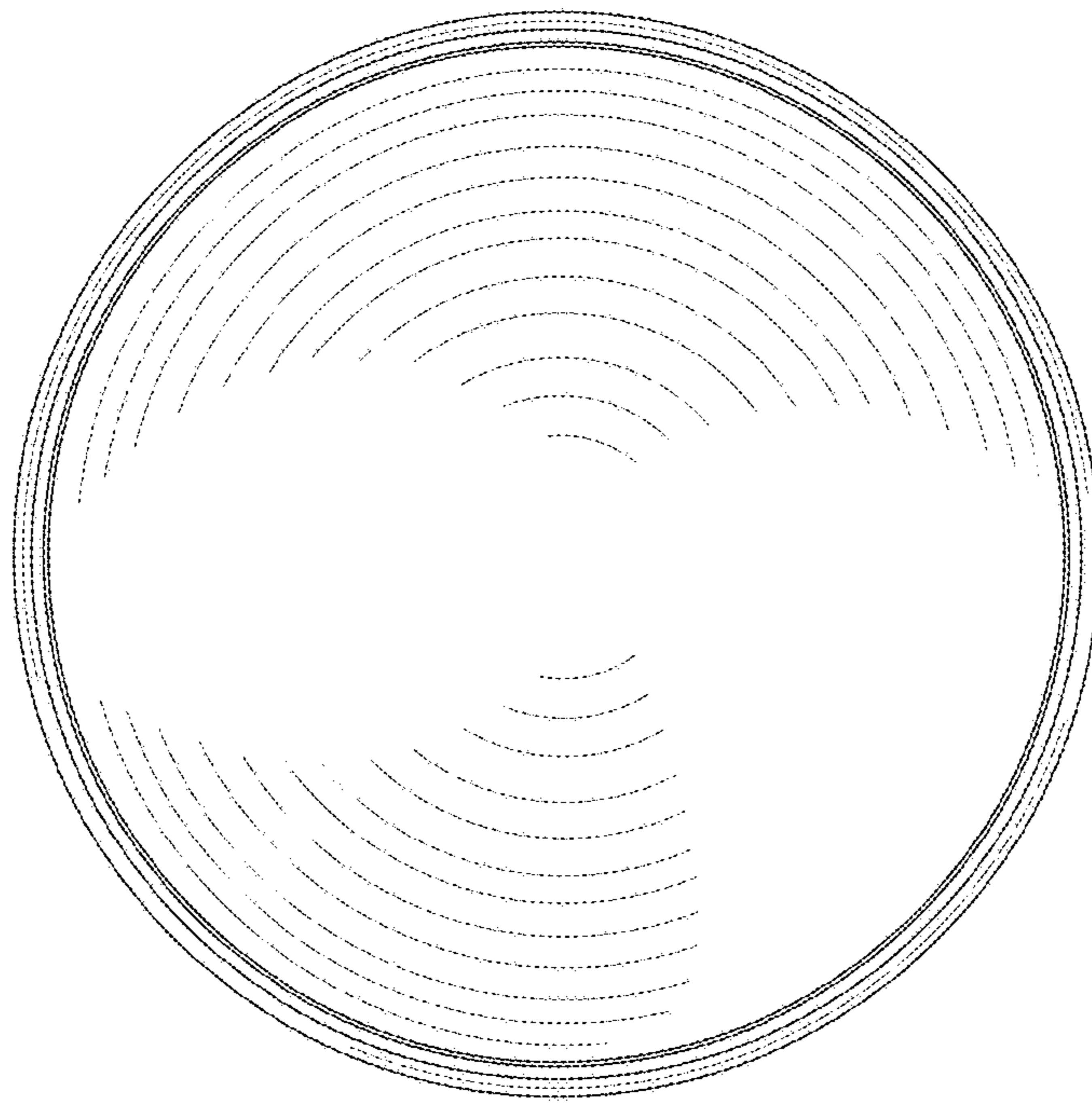


FIG. 4

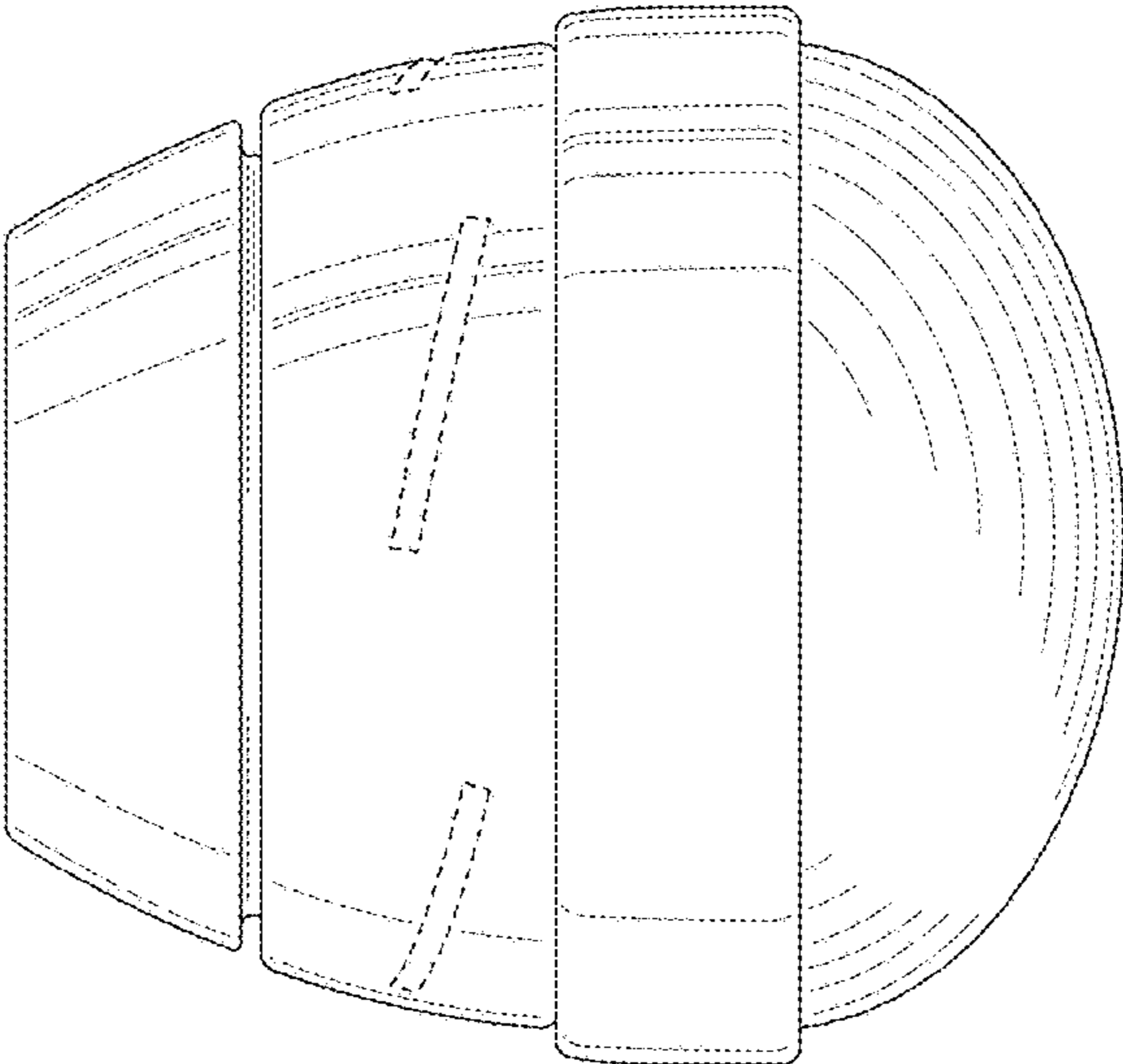


FIG. 5

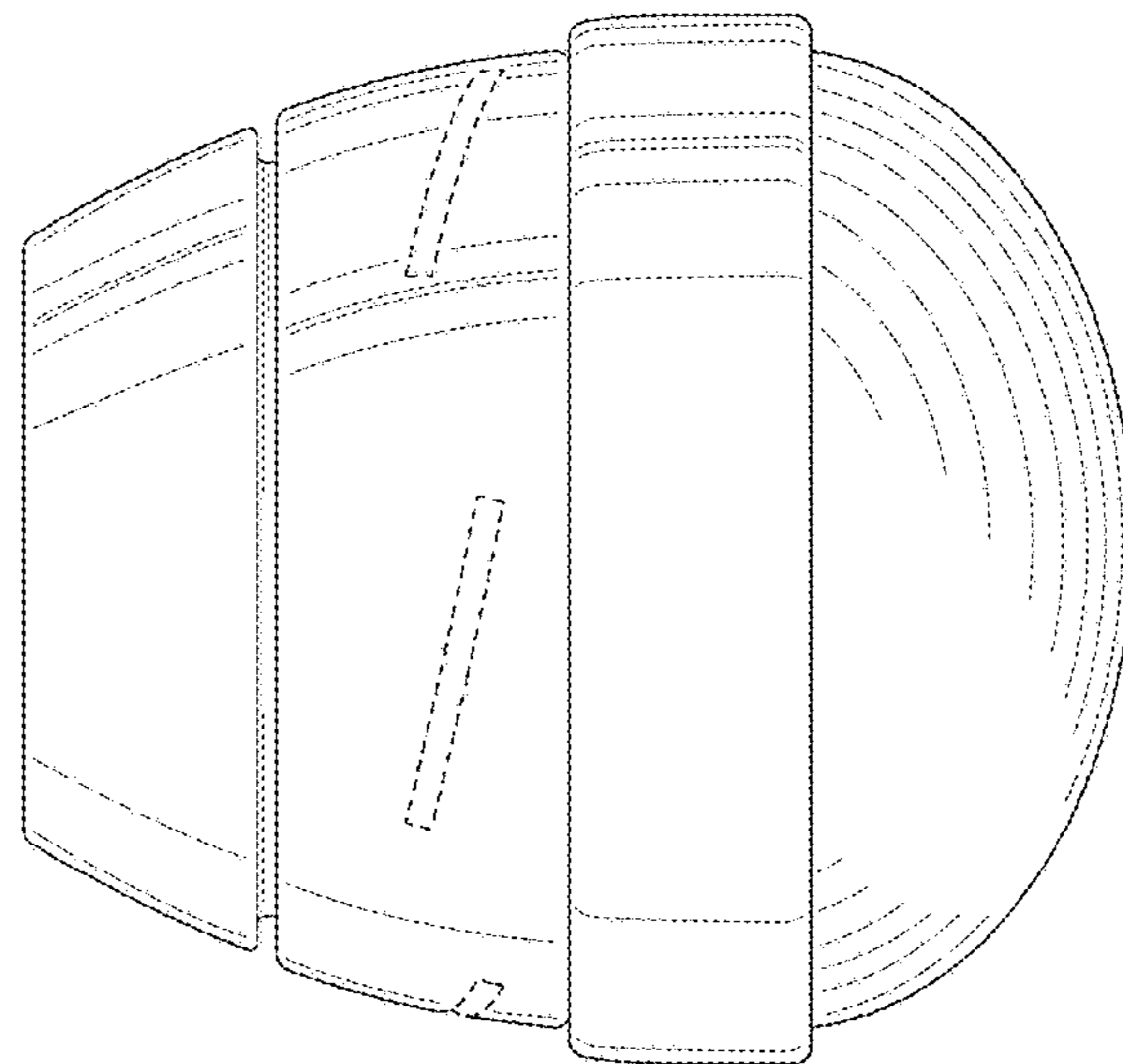


FIG. 6

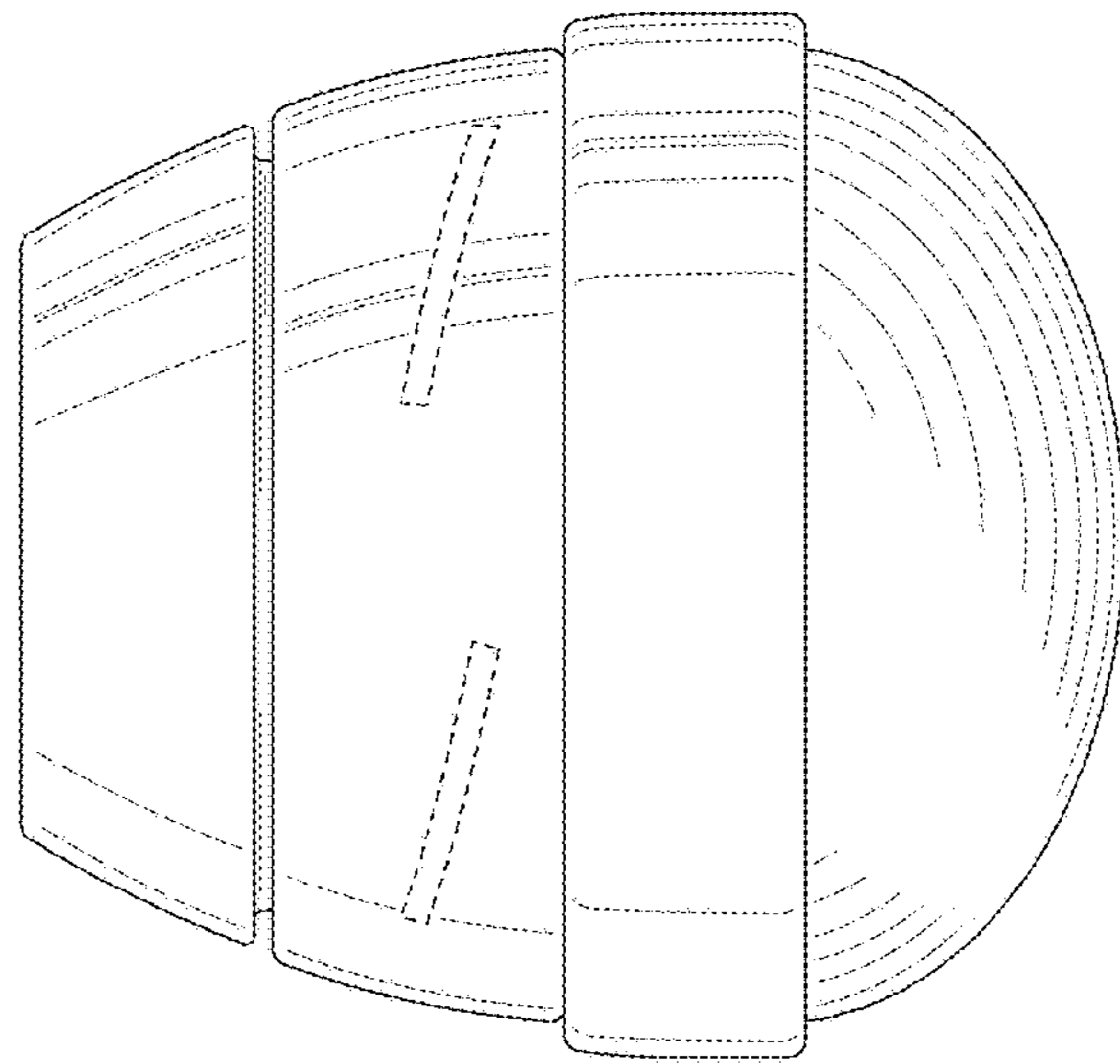


FIG. 7

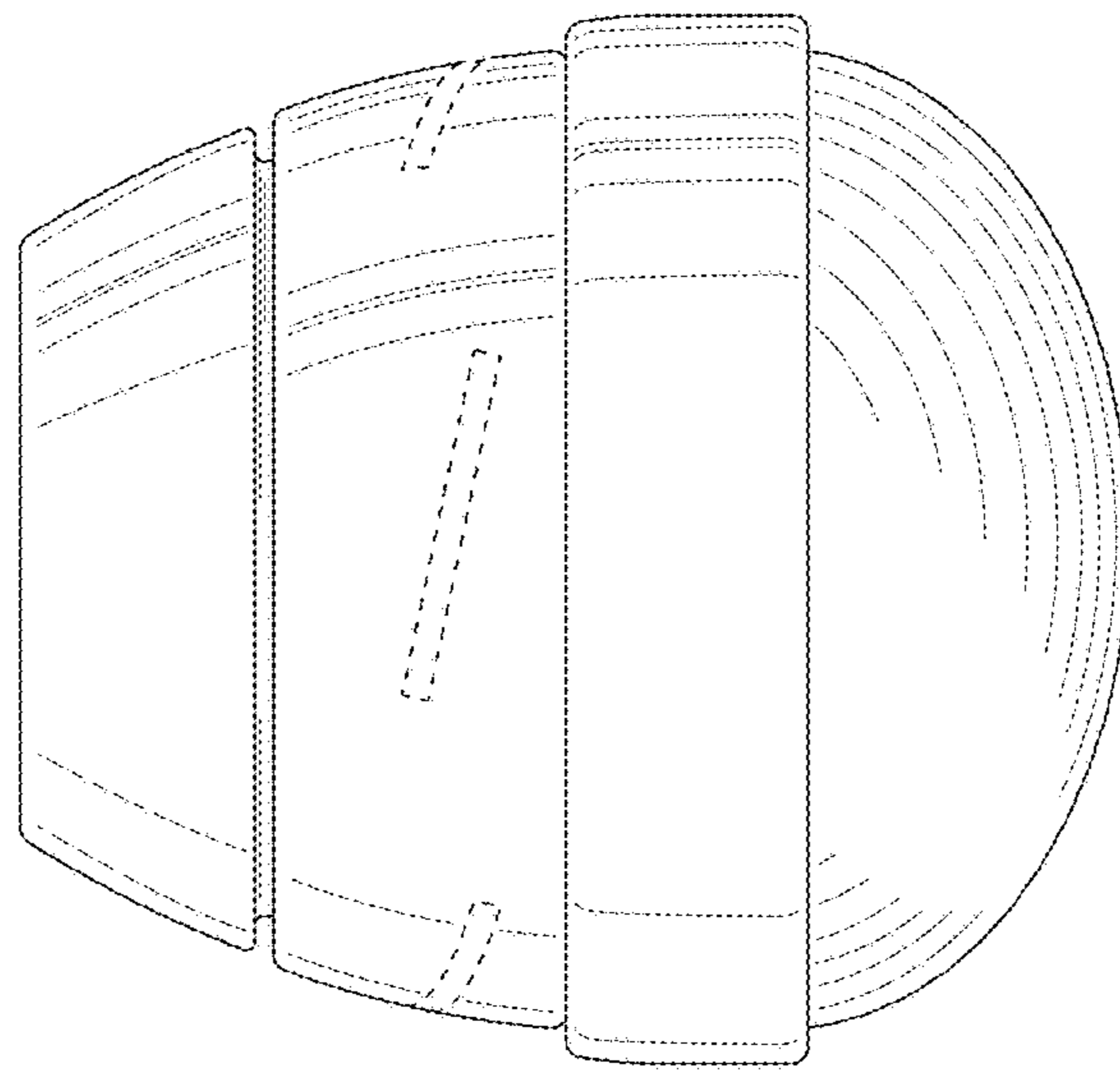


FIG. 8