



US00D844768S

(12) **United States Design Patent**  
**Scott et al.**

(10) **Patent No.:** **US D844,768 S**  
(45) **Date of Patent:** **\*\* Apr. 2, 2019**

(54) **WATER HEATER TOP CAP ASSEMBLY**

3,986,740 A \* 10/1976 Kerr ..... F16L 45/00  
292/256.69

(71) Applicant: **Rheem Manufacturing Company**,  
Atlanta, GA (US)

4,090,373 A \* 5/1978 Lang ..... F24F 1/02  
312/236

(72) Inventors: **Timothy Scott**, Tallassee, AL (US);  
**William Jason Hall**, Prattville, AL  
(US); **Gregory Welk**, Prattville, AL  
(US); **Scott Cline**, Columbus, OH (US);  
**Timothy Rothwell**, Columbus, OH  
(US)

4,336,749 A \* 6/1982 Barnhart ..... F24F 13/20  
248/58

(Continued)

(73) Assignee: **RHEEM MANUFACTURING  
COMPANY**, Atlanta, GA (US)

**OTHER PUBLICATIONS**

Indirect-Fired Water Heaters Series 3, image post date Jul. 4, 2017,  
site visited May 26, 2018, (online), <[https://web.archive.org/web/20170704100543/https://www.weil-mclain.com/sites/default/files/field-file/indirect-fired-water-heater-manual\\_1.pdf](https://web.archive.org/web/20170704100543/https://www.weil-mclain.com/sites/default/files/field-file/indirect-fired-water-heater-manual_1.pdf)>.\*

(Continued)

(\*\*) Term: **15 Years**

*Primary Examiner* — Kevin K Rudzinski

(21) Appl. No.: **29/616,433**

(74) *Attorney, Agent, or Firm* — King & Spalding LLP

(22) Filed: **Sep. 6, 2017**

(57) **CLAIM**

(51) **LOC (11) Cl.** ..... **23-03**

The ornamental design for a water heater top cap assembly,  
as shown and described.

(52) **U.S. Cl.**

USPC ..... **D23/386**

(58) **Field of Classification Search**

USPC ..... D23/386, 388, 392, 393, 397, 399, 400,  
D23/406, 411, 412, 354; D8/321  
CPC . A61L 9/125; B60H 1/345; B60S 1/54; E04B  
1/92; E04B 7/02; F24F 13/06; F24F  
1/0011; F24F 1/027; F24F 13/02; F24F  
13/10; F24F 13/1426; F24F 13/15; F24F  
13/20; E04D 13/10; F04D 25/14; F16L  
3/003

See application file for complete search history.

**DESCRIPTION**

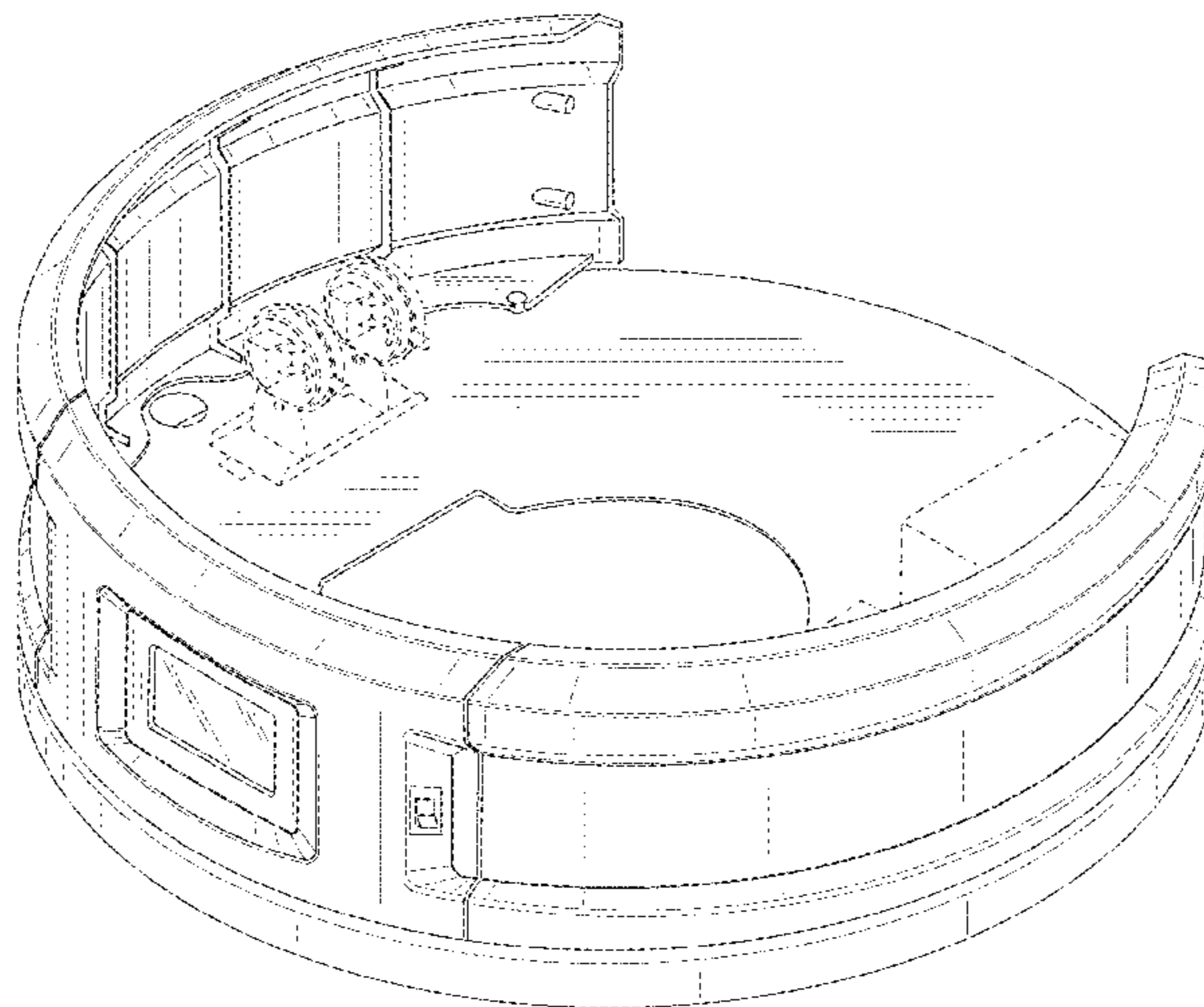
FIG. 1 is a front perspective view of the new design for a  
water heater top cap assembly;  
FIG. 2 is a back perspective view thereof;  
FIG. 3 is a bottom plan view thereof;  
FIG. 4 is a top plan view thereof;  
FIG. 5 is a front elevation view thereof;  
FIG. 6 is a back elevation view thereof;  
FIG. 7 is a right side elevation view thereof;  
FIG. 8 is a left side elevation view thereof; and  
FIG. 9 is a front perspective view of the water heater top cap  
assembly installed on a water heater; and,  
FIG. 10 is a back perspective view of the water heater top  
cap assembly installed on a water heater.  
The broken lines shown represent portions of the water  
heater top cap assembly and environmental portions of the  
water heater that form no part of the claimed design.

(56) **References Cited**

**U.S. PATENT DOCUMENTS**

1,746,151 A \* 2/1930 Goldman ..... F16L 3/003  
248/79  
3,557,773 A \* 1/1971 Ray ..... F24C 5/12  
126/144  
3,624,680 A \* 11/1971 Evans ..... B67B 7/10  
29/402.03

**1 Claim, 10 Drawing Sheets**



(56)

References Cited

U.S. PATENT DOCUMENTS

4,483,545 A \* 11/1984 Bush ..... F16J 15/024  
 277/322  
 4,940,158 A \* 7/1990 Farrell ..... B65D 51/20  
 220/258.2  
 5,105,732 A \* 4/1992 Sheu ..... F04D 25/14  
 454/350  
 5,167,877 A \* 12/1992 Pai ..... A61L 9/122  
 261/18.1  
 5,338,255 A \* 8/1994 Akehurst ..... F24F 13/06  
 248/27.1  
 D374,073 S \* 9/1996 Coble ..... D23/329  
 5,785,585 A \* 7/1998 Manfredi ..... B24B 53/017  
 451/285  
 5,857,617 A \* 1/1999 Weng ..... F24F 11/04  
 236/49.3  
 5,876,281 A \* 3/1999 Hirasawa ..... F24F 3/161  
 454/305  
 5,921,277 A \* 7/1999 Bernal ..... F16K 27/0218  
 137/315.24  
 D466,597 S \* 12/2002 Carr ..... D23/329  
 7,013,841 B1 \* 3/2006 Boros ..... F24H 1/205  
 122/14.1  
 D558,325 S \* 12/2007 Karnes ..... D23/393  
 7,559,293 B2 7/2009 Gordon et al.  
 D601,238 S \* 9/2009 Lundgren ..... D23/365  
 D653,799 S \* 2/2012 Baker ..... D26/138  
 D662,197 S \* 6/2012 Ito ..... D23/365  
 D665,071 S \* 8/2012 Goel ..... D15/144  
 D672,447 S \* 12/2012 Yano ..... D23/365  
 D672,857 S \* 12/2012 Yano ..... D23/365  
 D675,717 S \* 2/2013 Lundgren ..... D23/365  
 D710,485 S \* 8/2014 Nudo ..... D23/262  
 D713,020 S \* 9/2014 Kitajima ..... D23/322  
 8,833,013 B2 \* 9/2014 Harman ..... F24F 13/02  
 52/220.8  
 D715,145 S \* 10/2014 Yamagishi ..... D23/259  
 D724,185 S \* 3/2015 Chiproot ..... D23/262  
 D726,287 S \* 4/2015 Steele ..... D23/262  
 D728,757 S \* 5/2015 Graham ..... D23/269  
 D728,774 S \* 5/2015 Graham ..... D23/393  
 D734,659 S \* 7/2015 Ziaylek ..... D12/133  
 D736,261 S \* 8/2015 Bellinger ..... D15/28  
 D741,985 S \* 10/2015 Ma ..... D23/365  
 D743,521 S \* 11/2015 Jackson ..... D23/393  
 D750,207 S \* 2/2016 VanderBoegh ..... D23/259  
 D753,269 S \* 4/2016 Yamagishi ..... D23/259  
 D763,499 S \* 8/2016 Lee ..... D26/118  
 D764,651 S \* 8/2016 Zakula ..... D23/386

D770,598 S \* 11/2016 Steele ..... D23/262  
 D779,315 S \* 2/2017 Hinkle ..... D23/262  
 D780,899 S \* 3/2017 Hsiao ..... D23/333  
 D787,026 S \* 5/2017 Filer ..... D23/262  
 D796,012 S \* 8/2017 Hagano ..... D23/269  
 9,739,392 B2 \* 8/2017 Shaffer ..... F16K 27/04  
 D796,662 S \* 9/2017 Harman ..... D23/393  
 D799,682 S \* 10/2017 Wang ..... D23/411  
 D800,894 S \* 10/2017 Raether ..... D23/386  
 D800,916 S \* 10/2017 Spivey ..... D24/227  
 D801,500 S \* 10/2017 Andrews ..... D23/354  
 9,796,488 B2 \* 10/2017 Cook ..... B64G 1/641  
 D802,406 S \* 11/2017 Milner ..... D8/382  
 D804,436 S \* 12/2017 Tauchi ..... D13/182  
 D805,107 S \* 12/2017 Nichols ..... D15/5  
 D805,418 S \* 12/2017 Lowe ..... D11/3  
 D806,650 S \* 1/2018 Chang ..... D13/112  
 D807,024 S \* 1/2018 Dandachli ..... D3/211  
 D809,177 S \* 1/2018 Fujisawa ..... D26/74  
 9,855,522 B2 \* 1/2018 Yu ..... B01D 46/0039  
 D810,260 S \* 2/2018 Sevy ..... D23/366  
 D810,705 S \* 2/2018 Krishnan ..... D13/182  
 D810,893 S \* 2/2018 Chandler ..... D23/259  
 D810,902 S \* 2/2018 Matsunaga ..... D23/322  
 D812,731 S \* 3/2018 Matsunaga ..... D23/322  
 D814,005 S \* 3/2018 Morikawa ..... D23/351  
 D816,010 S \* 4/2018 Rike ..... D12/223  
 D817,474 S \* 5/2018 VanHorn ..... D23/386  
 D817,529 S \* 5/2018 Jigannian ..... D26/50  
 2006/0111037 A1 \* 5/2006 Poirier ..... F16L 37/26  
 454/270  
 2008/0190082 A1 \* 8/2008 Scott ..... B01D 46/0005  
 55/520  
 2010/0297924 A1 \* 11/2010 Hedlund ..... B08B 15/00  
 454/64  
 2011/0058795 A1 \* 3/2011 Kleman ..... F24H 4/04  
 392/308  
 2016/0157941 A1 \* 6/2016 Anvari ..... A61B 34/30  
 606/130  
 2017/0130986 A1 \* 5/2017 Wang ..... F24F 13/20  
 2017/0146268 A1 \* 5/2017 Shaffer ..... F25B 1/005  
 2018/0015406 A1 \* 1/2018 Nelson ..... B01D 46/527  
 2018/0135885 A1 \* 5/2018 Shaffer ..... F24H 4/04

OTHER PUBLICATIONS

Rheem RTG20184 3-Inch-5-Inch Vertical Vent Termination Kit, image post date Jan. 23, 2016 , site visited May 26, 2018, (online), <<https://www.amazon.com/Rheem-RTG20184-3-Inch-5-Inch-Vertical-Termination/dp/B002JK0XBK>>.\*

\* cited by examiner

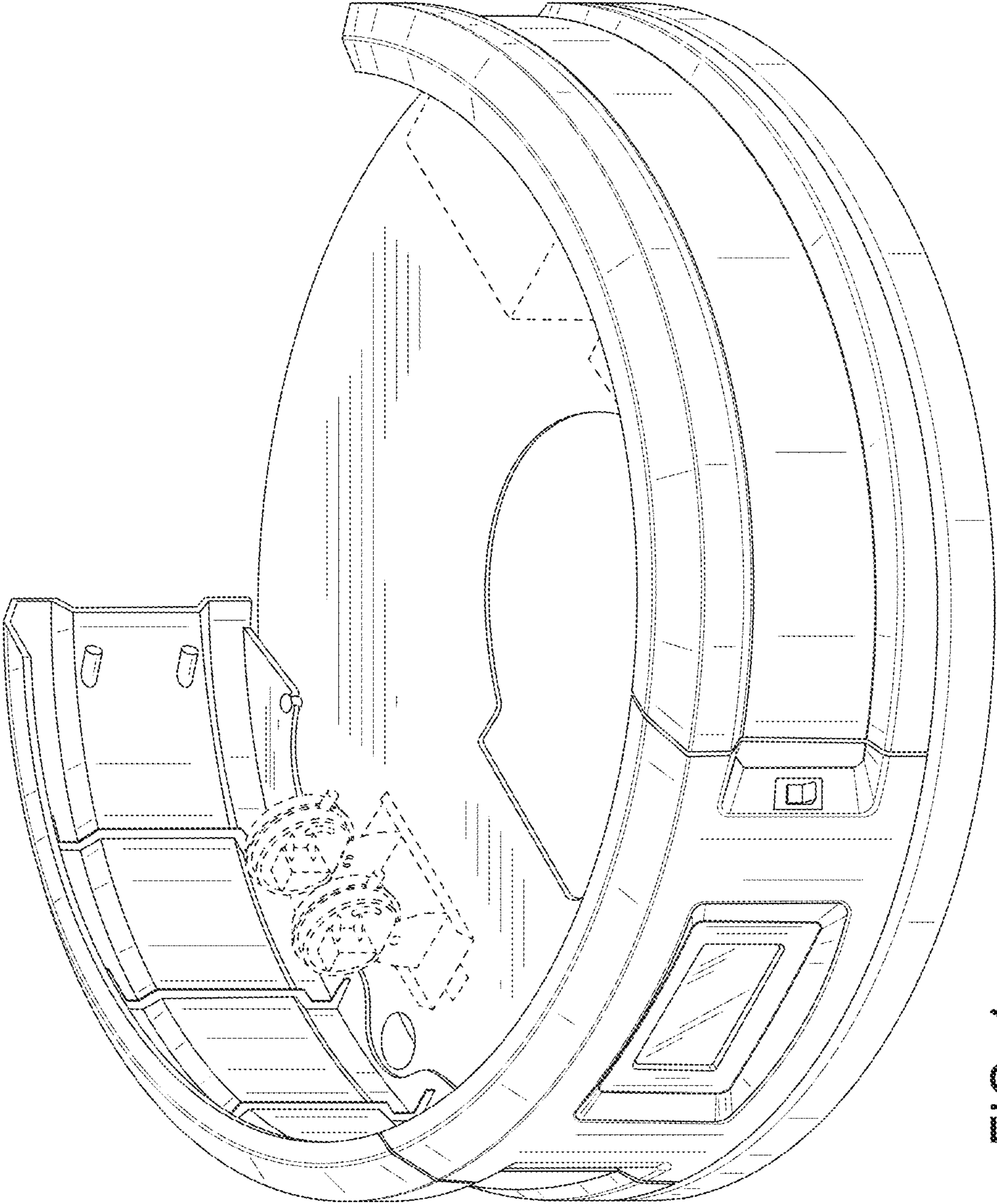


FIG. 1

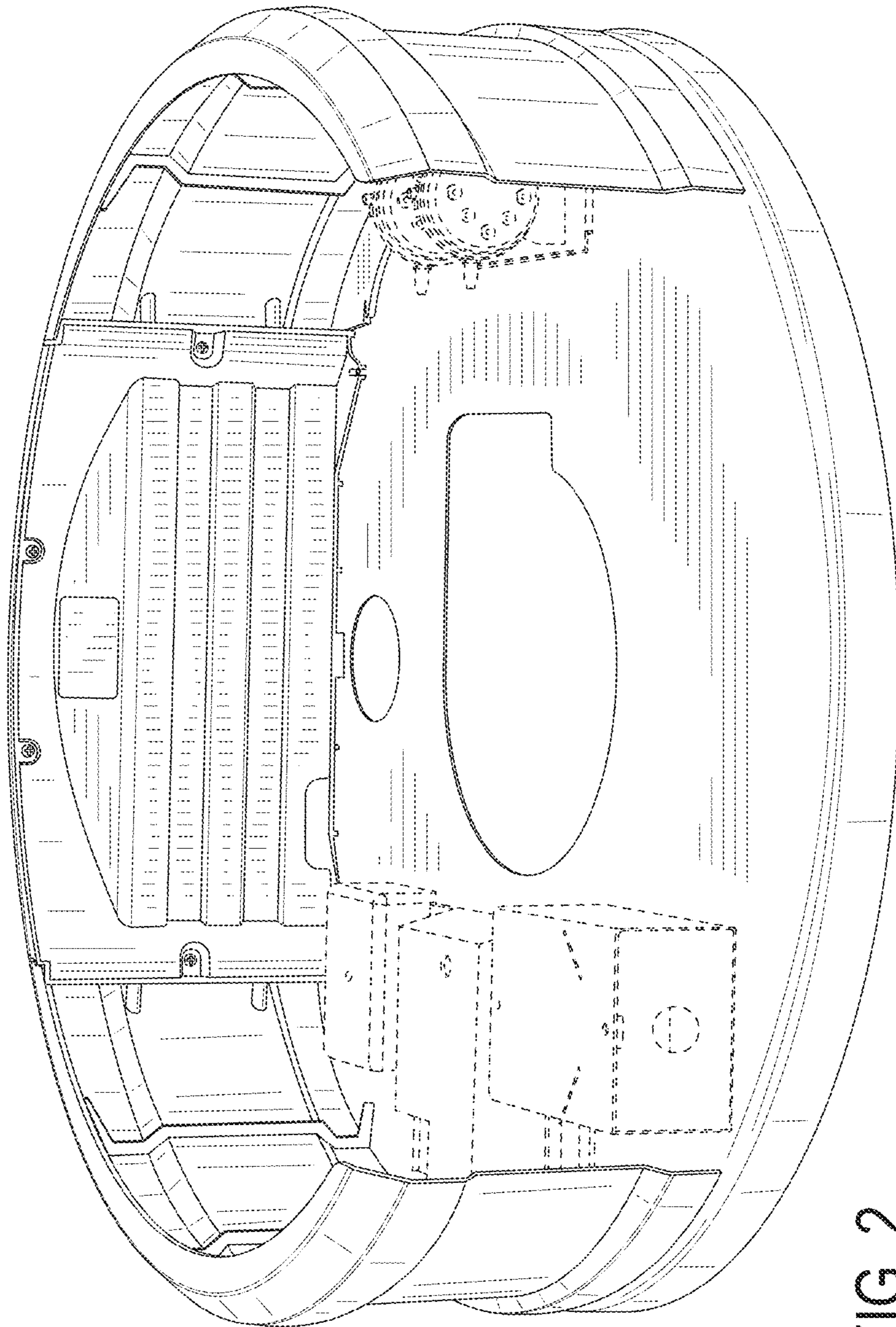


FIG. 2

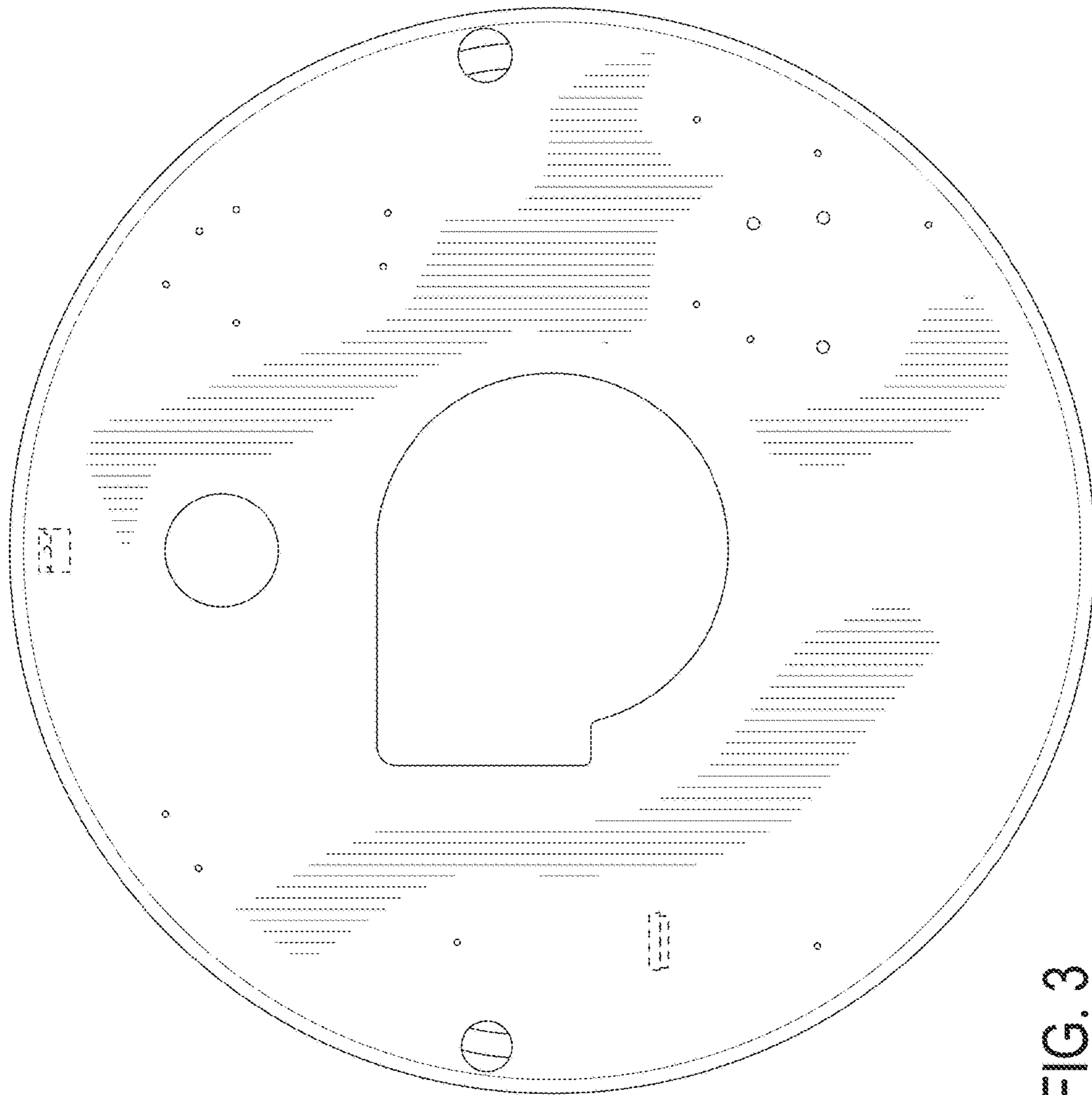


FIG. 3

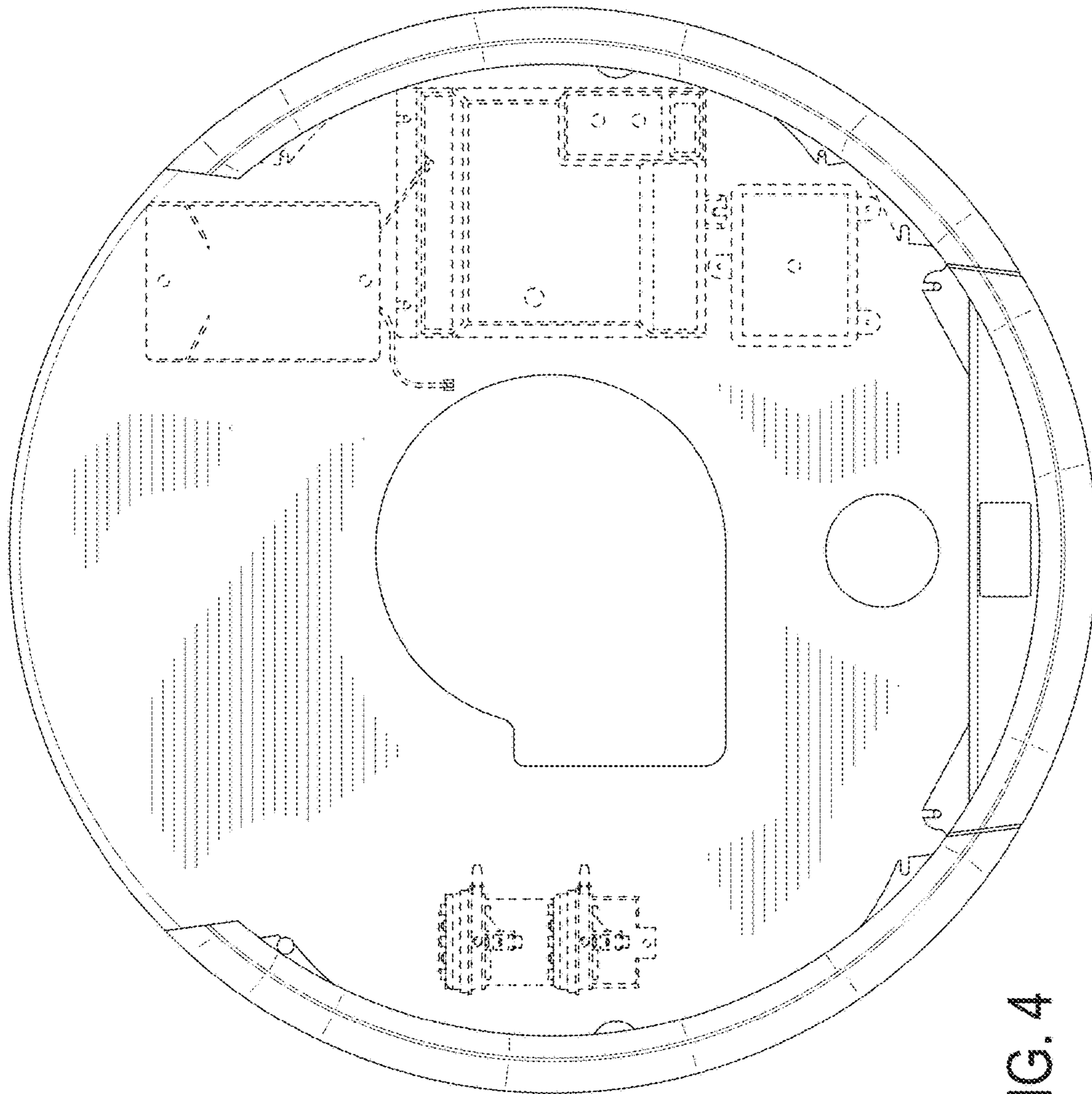


FIG. 4

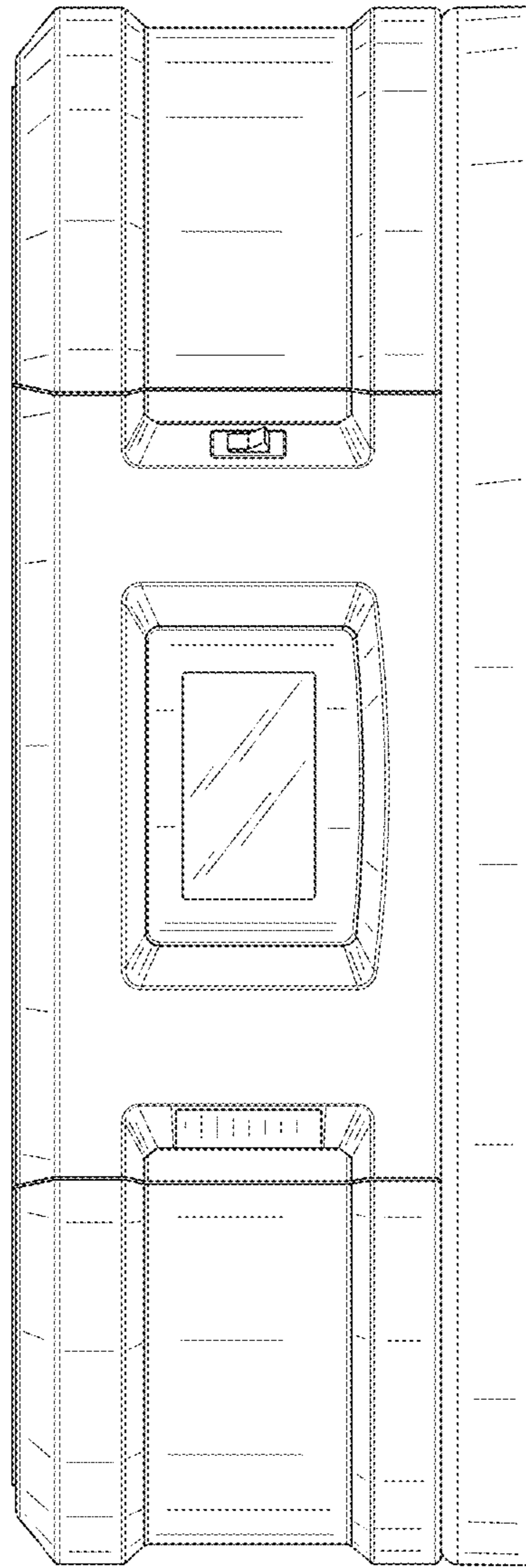


FIG. 5

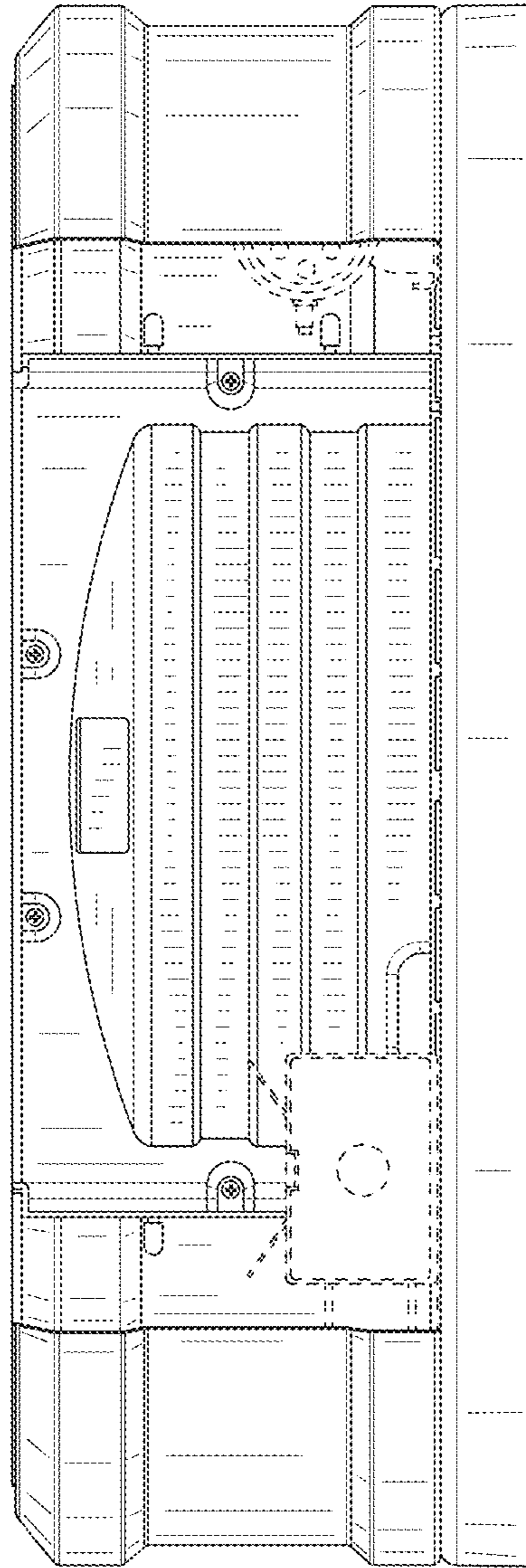


FIG. 6



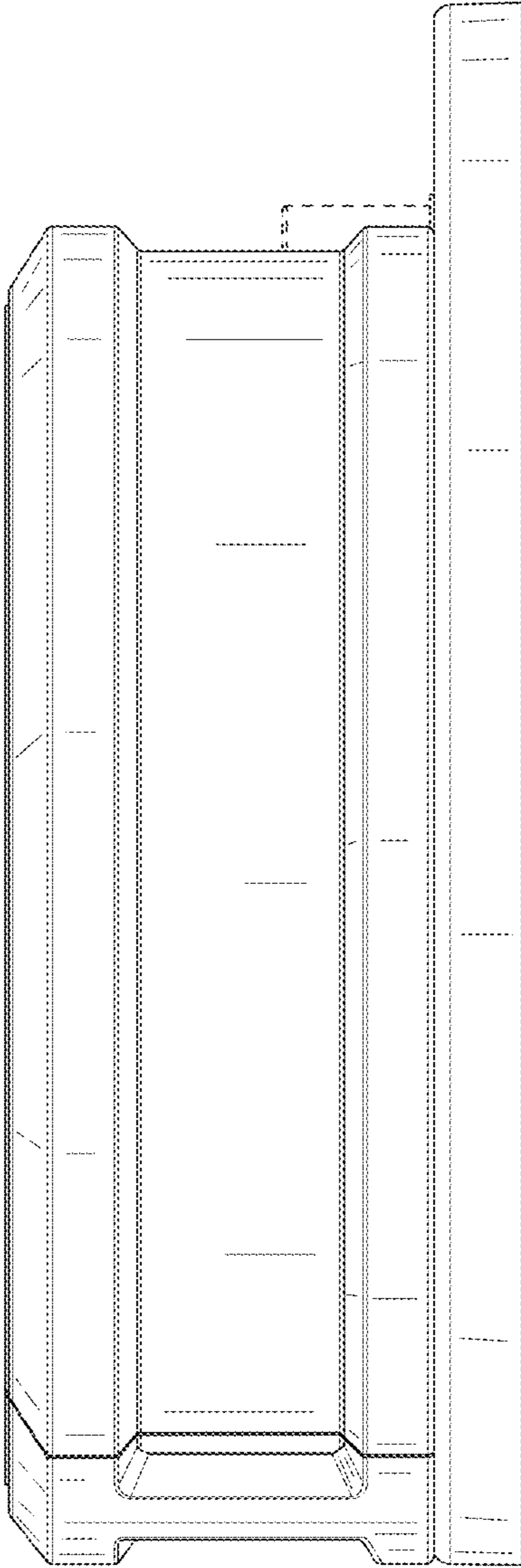


FIG. 7

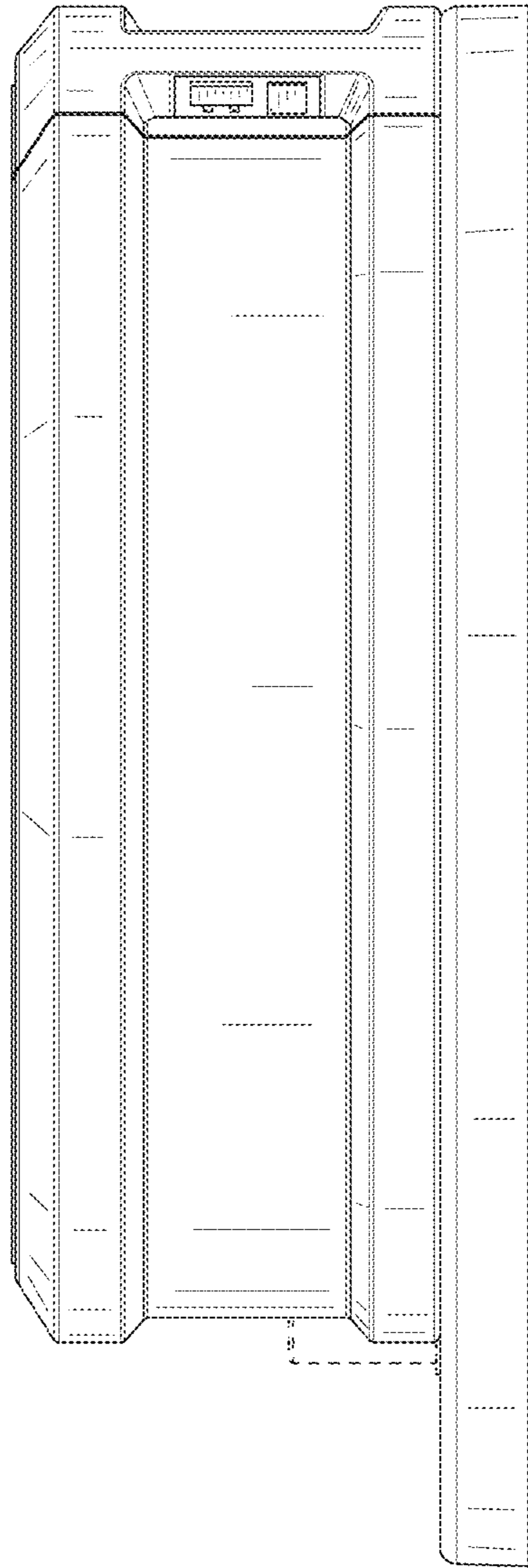


FIG. 8

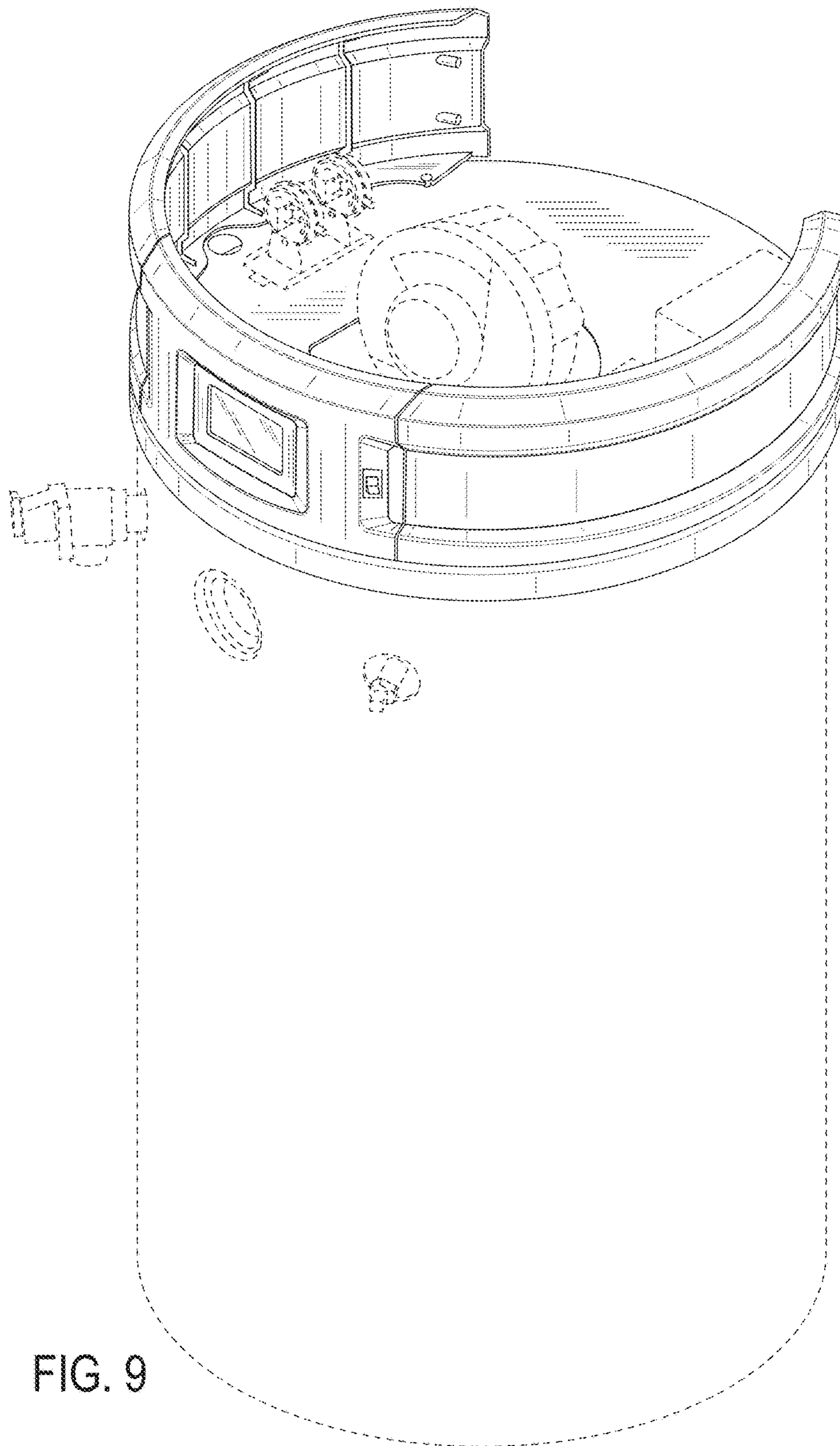


FIG. 9

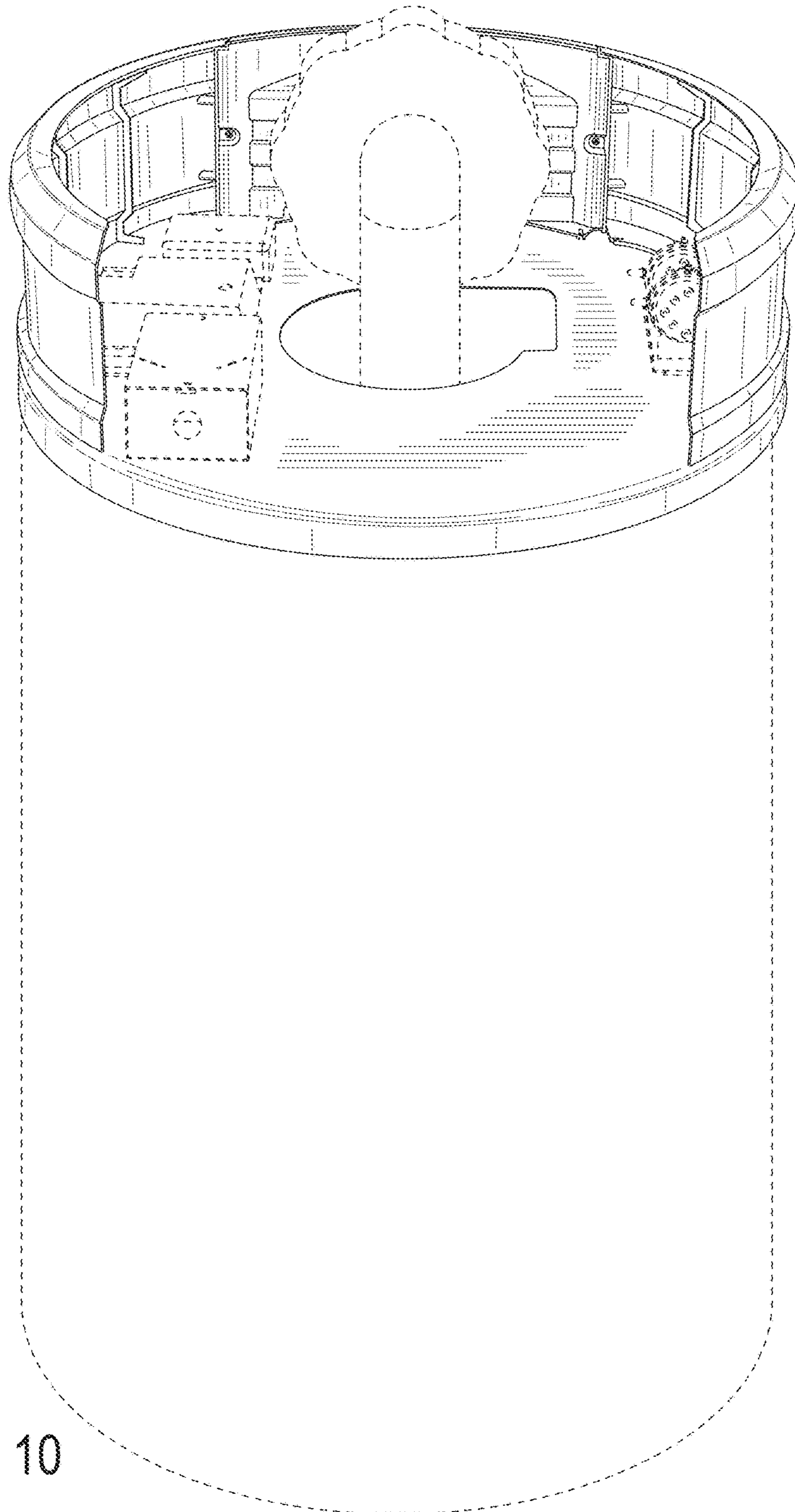


FIG. 10