



US00D844762S

(12) **United States Design Patent** (10) **Patent No.:** **US D844,762 S**  
**L'Henaff et al.** (45) **Date of Patent:** **\*\* Apr. 2, 2019**

(54) **BIDET SEAT**  
(71) Applicant: **AS IP HOLDCO, LLC**, Piscataway, NJ (US)  
(72) Inventors: **Jean-Jacques L'Henaff**, New Canaan, CT (US); **Ki Bok Song**, Plainview, NY (US)  
(73) Assignee: **AS IP HOLDCO, LLC**, Piscataway, NJ (US)  
(\*\*) Term: **15 Years**  
(21) Appl. No.: **29/629,526**  
(22) Filed: **Dec. 13, 2017**  
(51) **LOC (11) Cl.** ..... **23-02**  
(52) **U.S. Cl.**  
USPC ..... **D23/311**  
(58) **Field of Classification Search**  
USPC ..... D23/303, 311-312  
CPC ..... A47K 13/00; A47K 13/02; A47K 13/24  
See application file for complete search history.

(56) **References Cited**  
**U.S. PATENT DOCUMENTS**  
D691,249 S \* 10/2013 Obara ..... D23/311  
D704,317 S \* 5/2014 Shinozaki ..... D23/311  
D826,387 S \* 8/2018 Masuda ..... D23/311

**OTHER PUBLICATIONS**  
Japanese Office Action in corresponding Japanese Design Application No. 2018-012983 dated Nov. 30, 2018 (4 pages).

\* cited by examiner

*Primary Examiner* — Robert A Delehanty  
(74) *Attorney, Agent, or Firm* — Venable LLP; Michele V. Frank

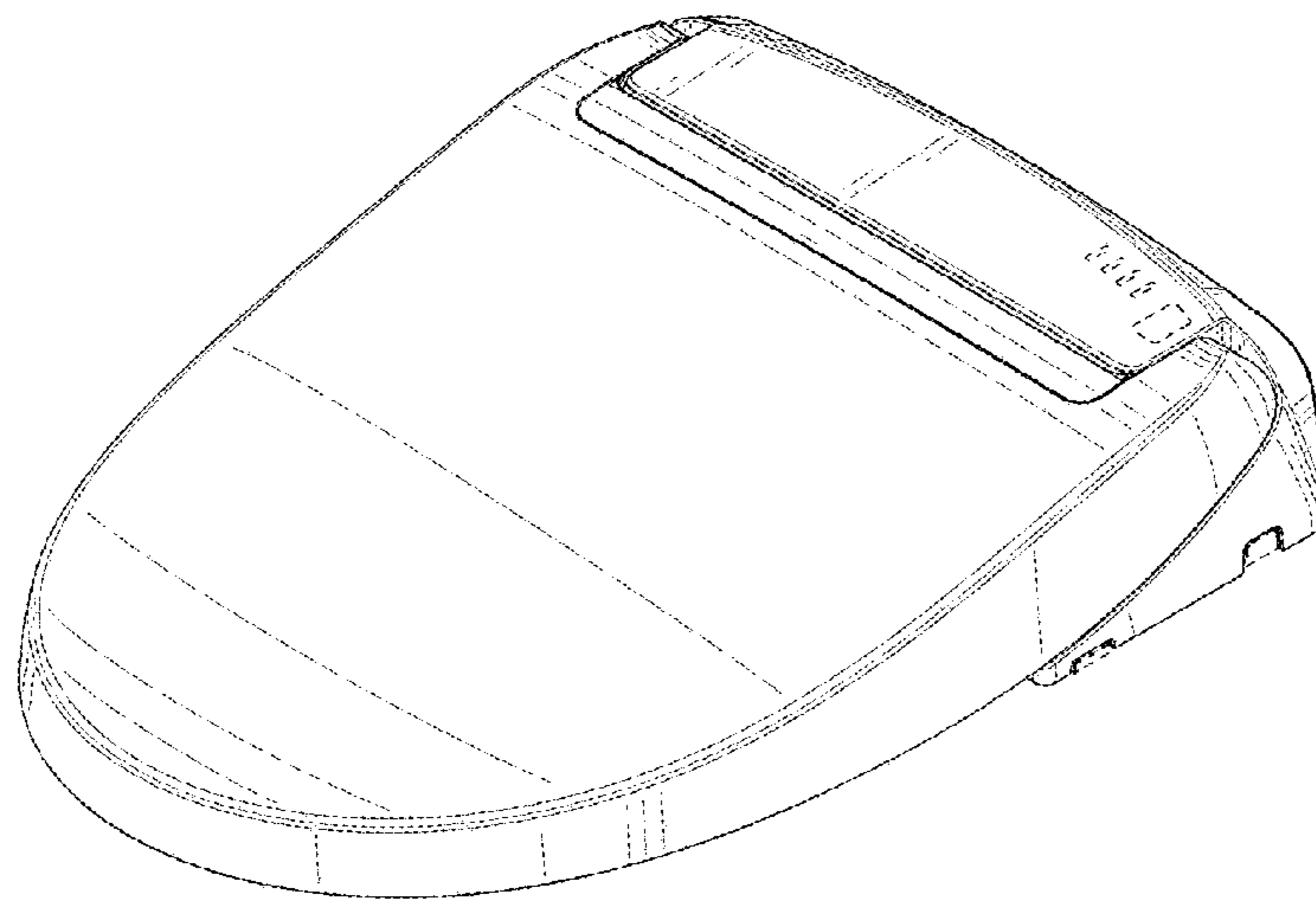
(57) **CLAIM**

The ornamental design for a bidet seat, as shown and described.

**DESCRIPTION**

FIG. 1 is a perspective view of an embodiment of the claimed design;  
FIG. 2 is a top view thereof;  
FIG. 3 is a bottom view thereof;  
FIG. 4 is a right view thereof;  
FIG. 5 is a left view thereof;  
FIG. 6 is a front view thereof;  
FIG. 7 is a rear view thereof;  
FIG. 8 is a perspective view of an embodiment of the claimed design;  
FIG. 9 is a top view thereof;  
FIG. 10 is a bottom view thereof;  
FIG. 11 is a right view thereof;  
FIG. 12 is a left view thereof;  
FIG. 13 is a front view thereof; and,  
FIG. 14 is a rear view thereof.  
The features shown in broken lines form no part of the claimed design.

**1 Claim, 12 Drawing Sheets**



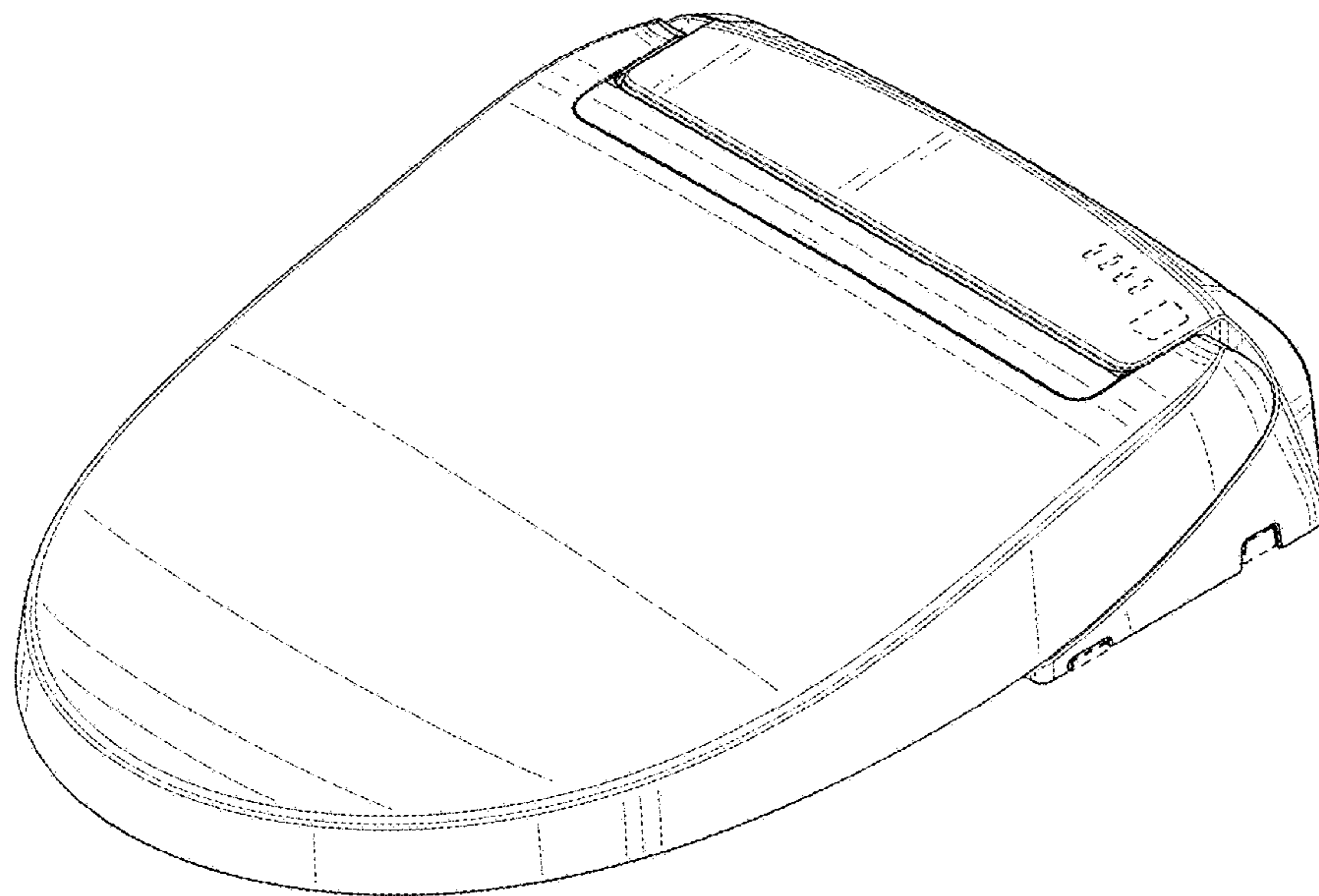


FIG. 1

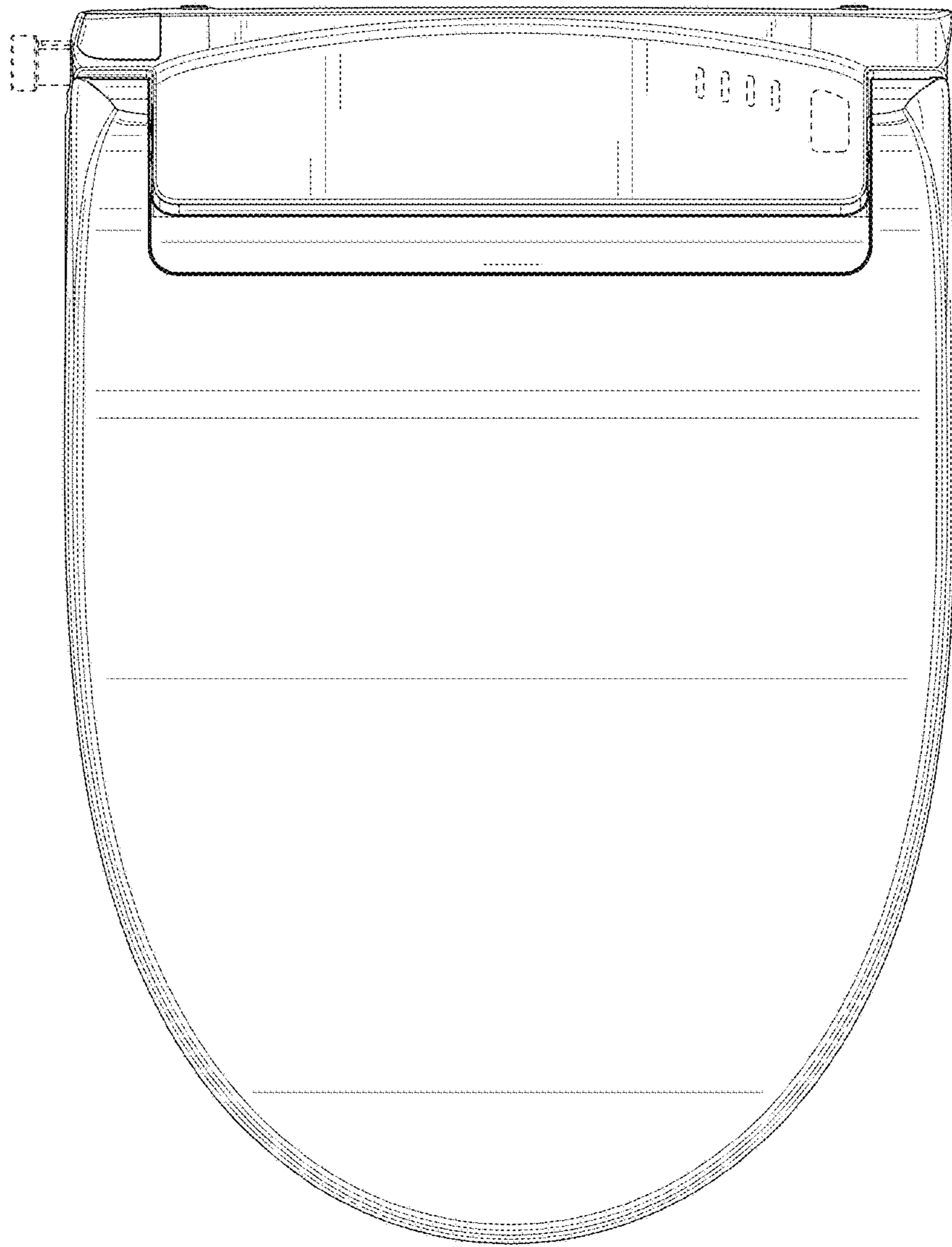


FIG. 2

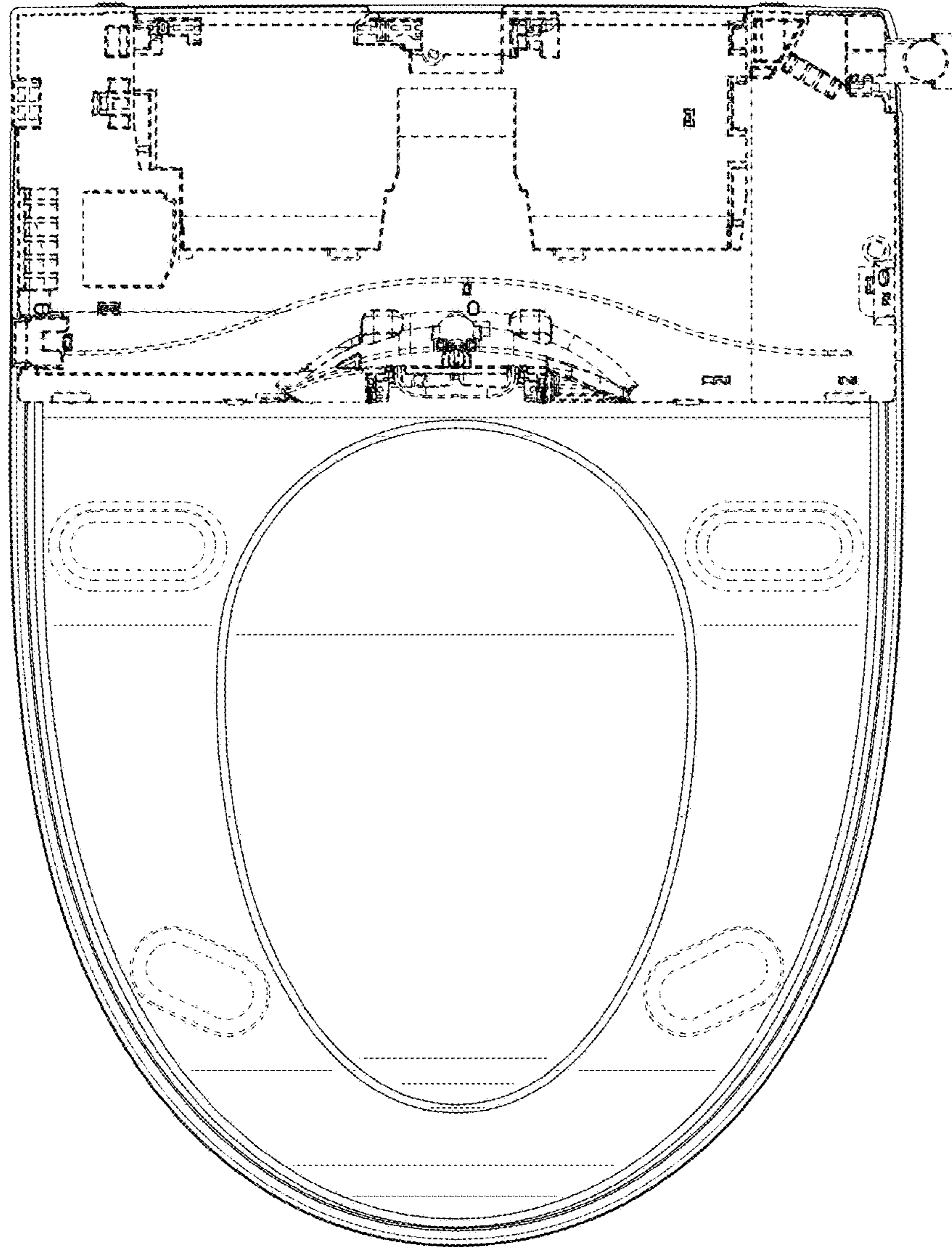


FIG. 3

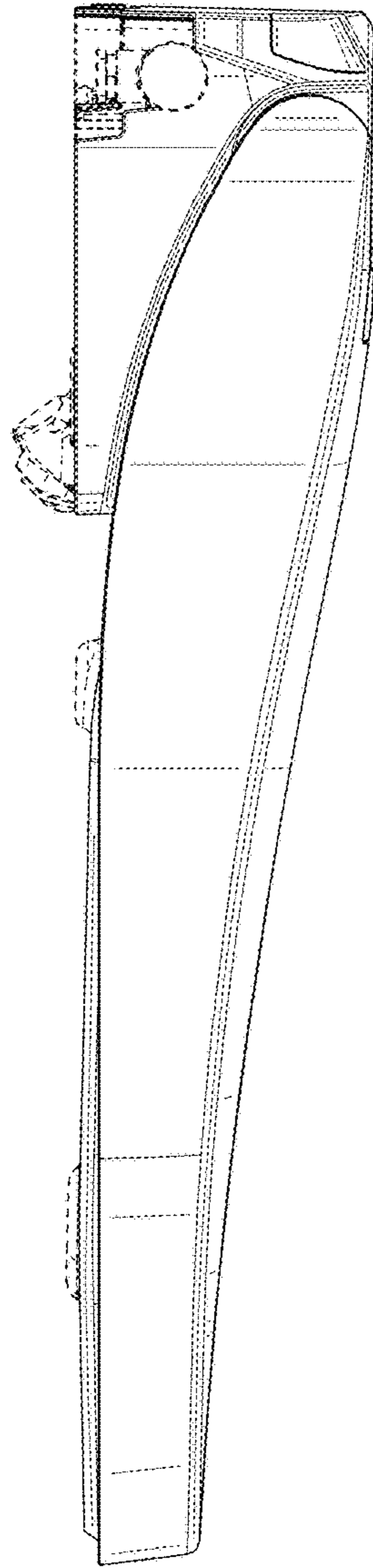


FIG. 4

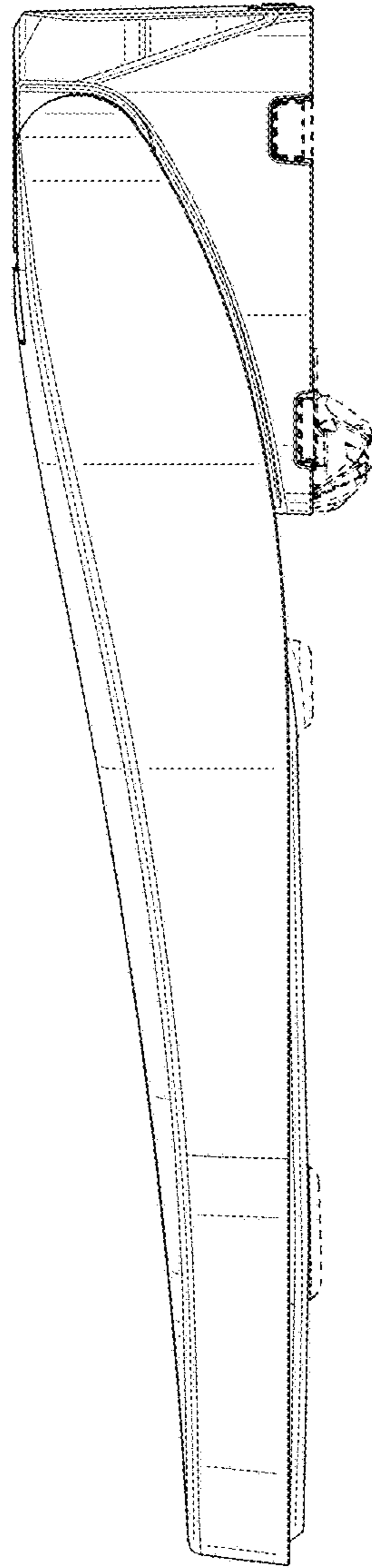


FIG. 5

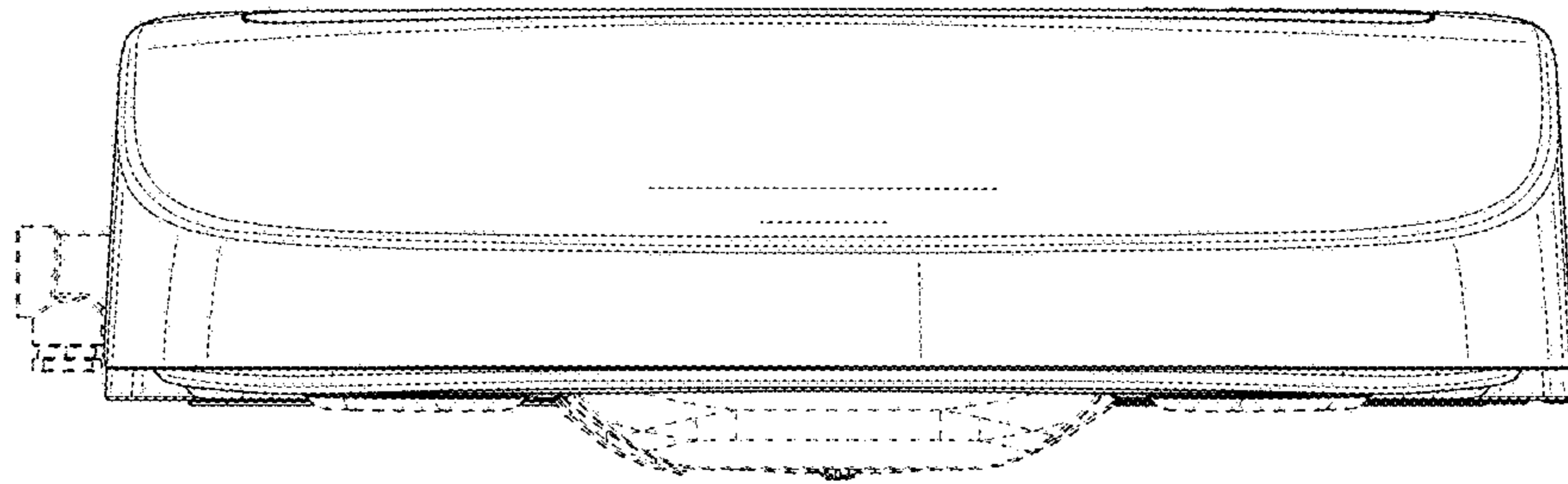


FIG. 6

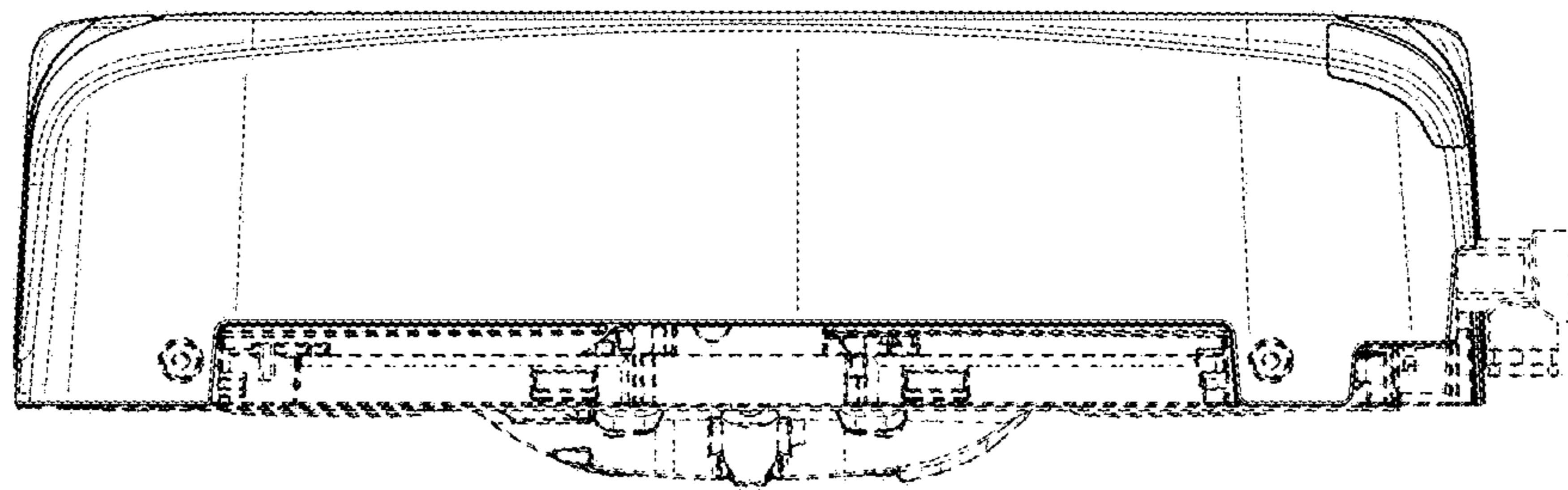


FIG. 7

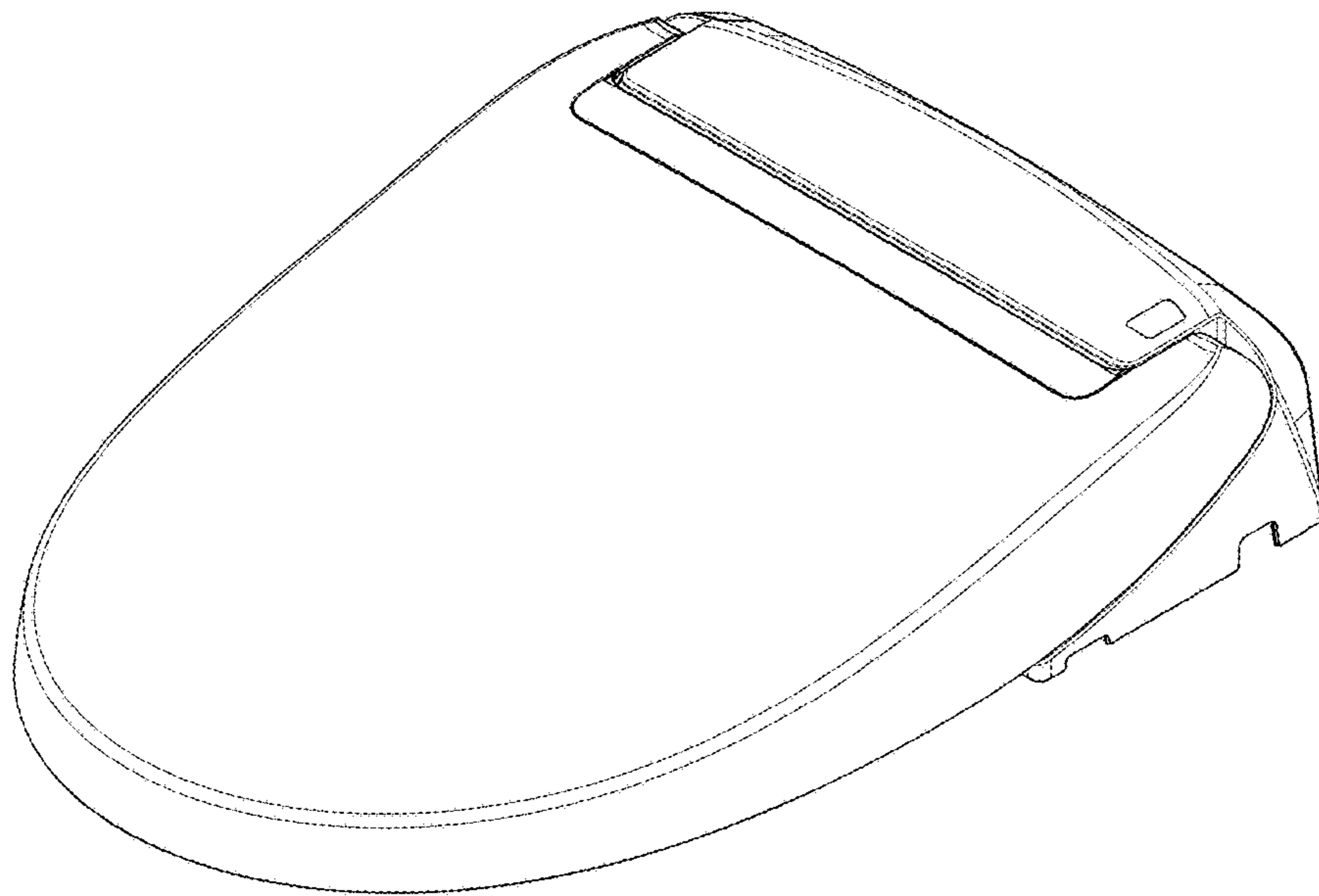


FIG. 8



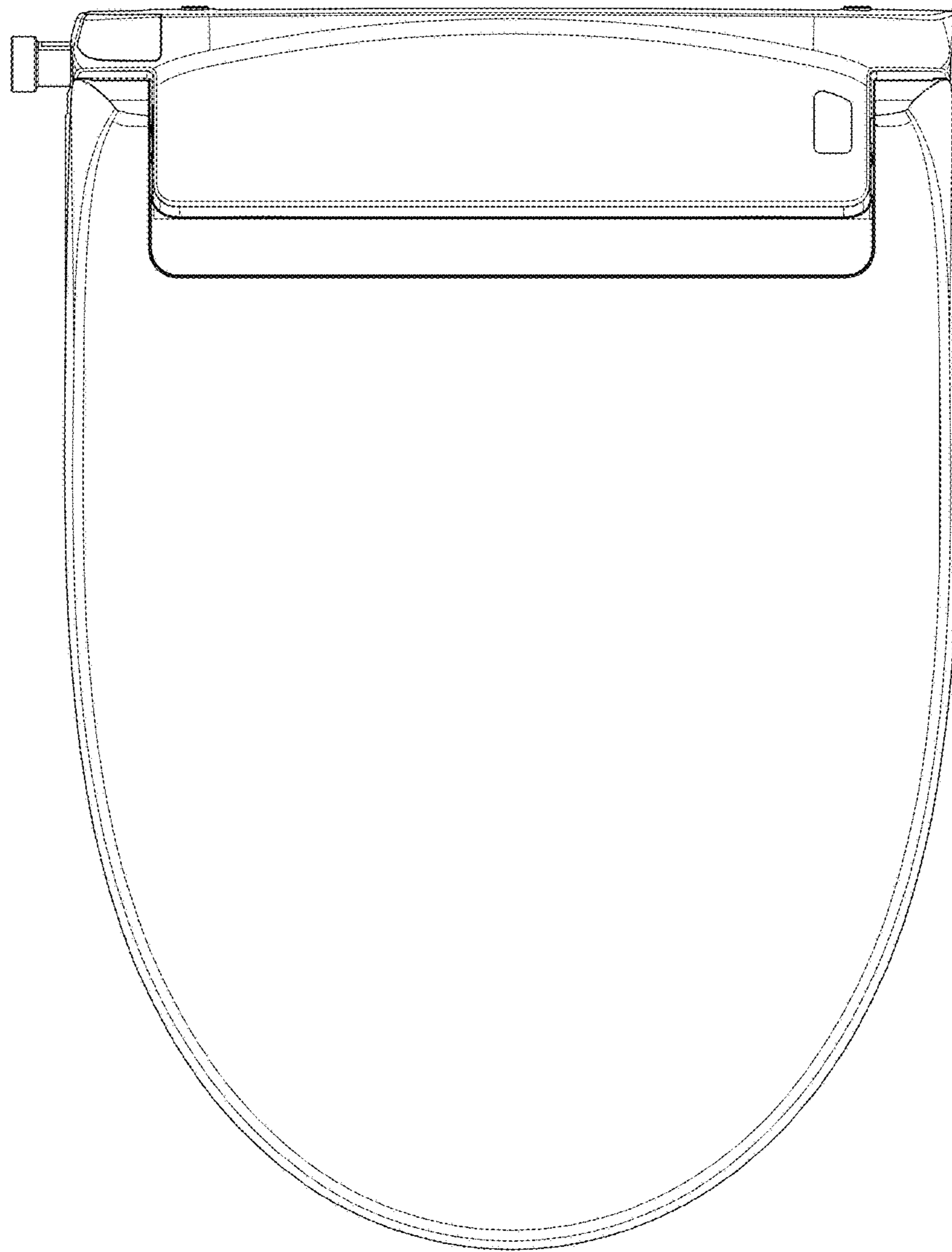


FIG. 9

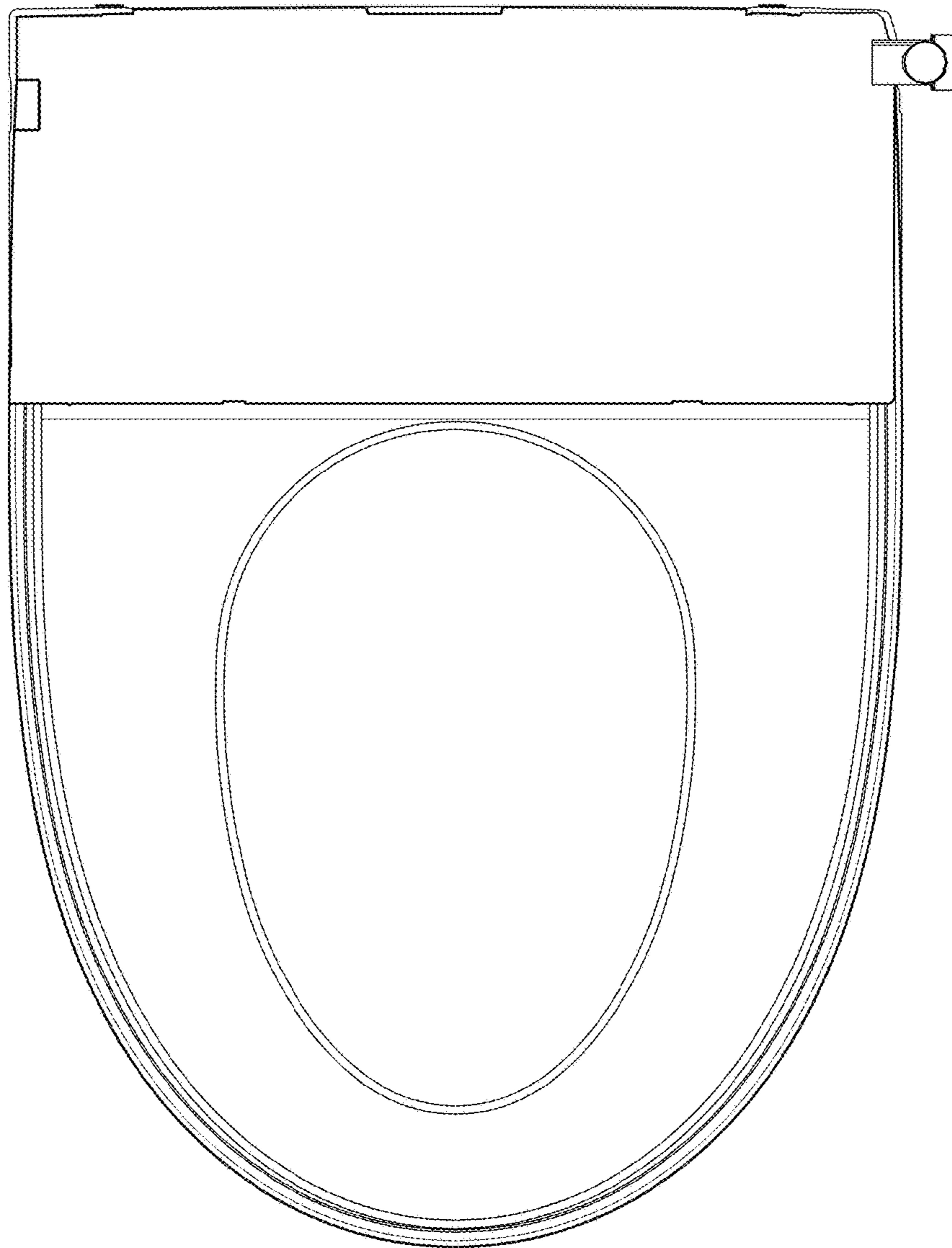


FIG. 10

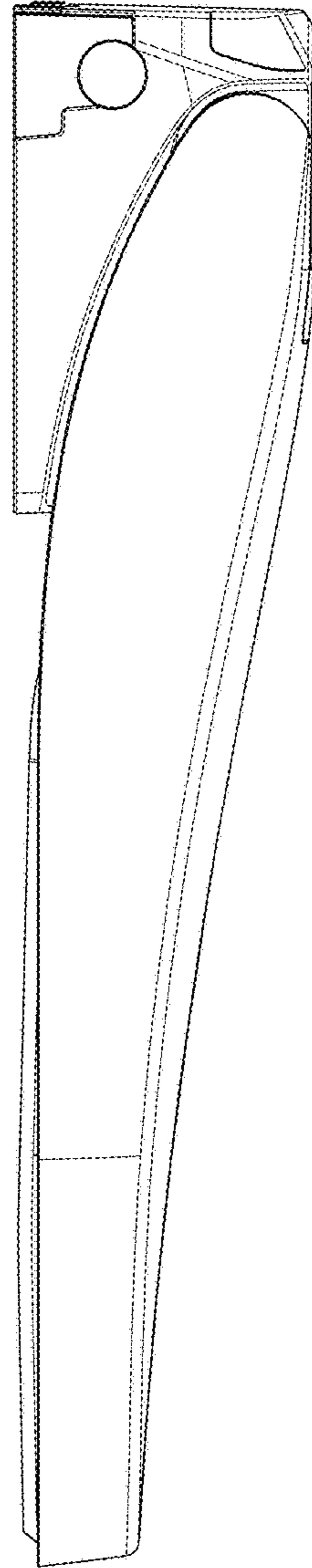


FIG. 11

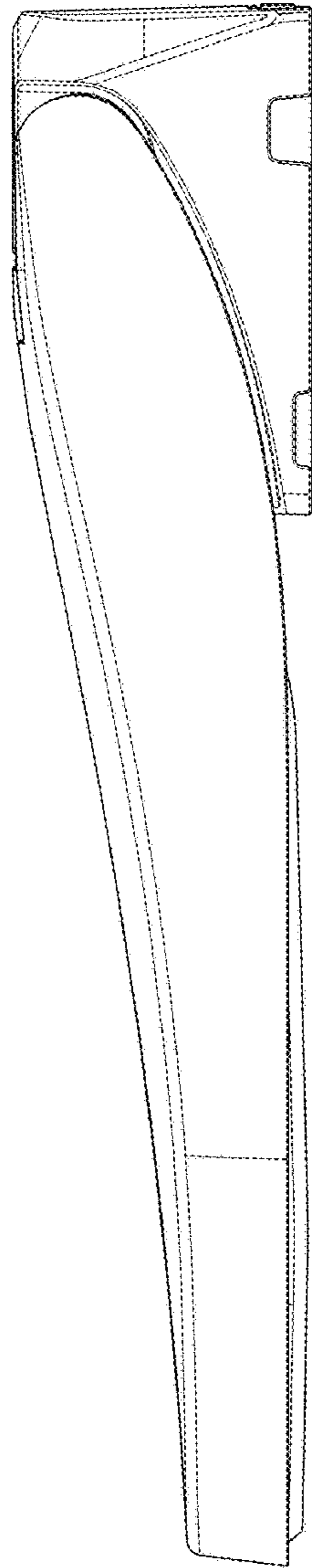


FIG. 12

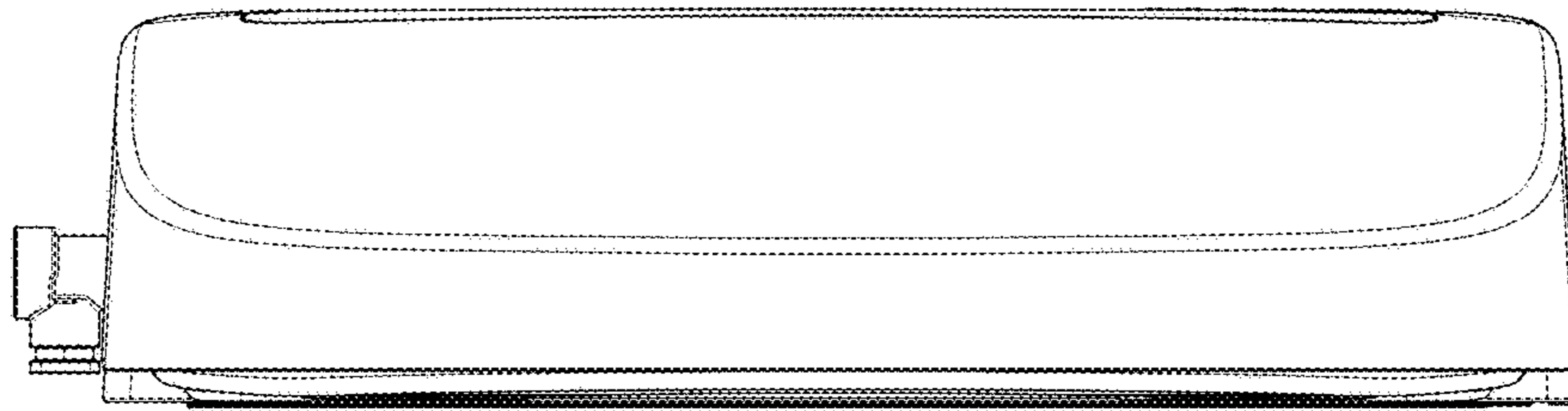


FIG. 13

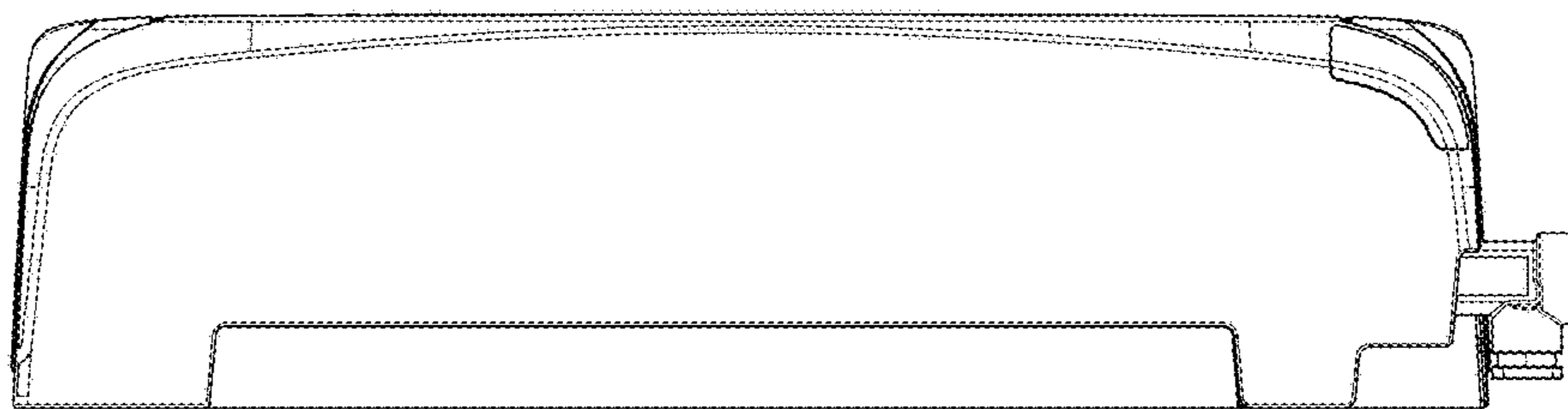


FIG. 14