



US00D844760S

(12) **United States Design Patent**  
**Kuipers**

(10) **Patent No.:** **US D844,760 S**

(45) **Date of Patent:** **\*\* Apr. 2, 2019**

(54) **INFLATABLE BATH**

(71) Applicant: **TUBBLE B.V.**, Amsterdam (NL)

(72) Inventor: **Arnoud Kuipers**, Amsterdam (NL)

(73) Assignee: **Tubble B.V.**, Amsterdam (NL)

(\*\*) Term: **15 Years**

(21) Appl. No.: **35/502,431**

(22) Filed: **Dec. 13, 2016**

(80) **Hague Agreement Data**

Int. Filing Date: **Dec. 13, 2016**

Int. Reg. No.: **DM/094502**

Int. Reg. Date: **Dec. 13, 2016**

Int. Reg. Pub. Date: **Feb. 10, 2017**

(51) **LOC (11) Cl.** ..... **23-02**

(52) **U.S. Cl.**

USPC ..... **D23/277**

(58) **Field of Classification Search**

USPC ..... D23/277, 280.1–280.4, 303–306

CPC ..... A47K 3/00; A47K 4/00

See application file for complete search history.

(56) **References Cited**

**U.S. PATENT DOCUMENTS**

D108,352 S \* 2/1938 Weirich ..... D23/280.3

D224,306 S \* 7/1972 Anderson ..... D23/278

4,068,326 A \* 1/1978 Deschler ..... A47K 3/06

4/534

D293,363 S \* 12/1987 Everard ..... D21/815

4,754,502 A \* 7/1988 Bowen ..... A47K 3/06

4/487

4,964,183 A \* 10/1990 LaForce, Jr. .... A47C 1/14

4/538

5,101,823 A \* 4/1992 Smith ..... A47C 27/081

5/284

5,247,712 A \* 9/1993 Williams ..... A61G 7/0005

4/538

D498,828 S \* 11/2004 Chiu ..... D23/280.1

7,234,176 B1 \* 6/2007 Chiu ..... A45D 19/04

4/516

D694,867 S \* 12/2013 Quigley ..... A47C 27/081

D23/277

D732,133 S \* 6/2015 Goldmeier ..... A47C 1/14

D21/815

D743,514 S \* 11/2015 Kuipers ..... A47K 3/06

D23/277

RE45,820 E \* 12/2015 Jiang ..... A47K 3/06

D23/277

9,217,259 B1 \* 12/2015 Perrotta ..... E04H 4/14

(Continued)

*Primary Examiner* — Keli L Hill

(74) *Attorney, Agent, or Firm* — Woodard, Emhardt,  
Henry, Reeves & Wagner, LLP

(57) **CLAIM**

The ornamental design for an inflatable bath, as shown and described.

**DESCRIPTION**

**1.1** is a top plan view of an inflatable bath with an integrated head rest and a constant inward curve;

**1.2** is a left side elevation view thereof;

**1.3** is a top, front and left side perspective view thereof;

**1.4** is a front elevation view thereof;

**1.5** is a right side elevation view thereof;

**1.6** is a rear elevation view thereof; and

**1.7** is a bottom plan view thereof.

**3.1** is a top plan view of an inflatable bath with an integrated head rest and a variable inward curve;

**3.2** is a left side elevation view thereof;

**3.3** is a top, front and left side perspective view thereof;

**3.4** is a front elevation view thereof;

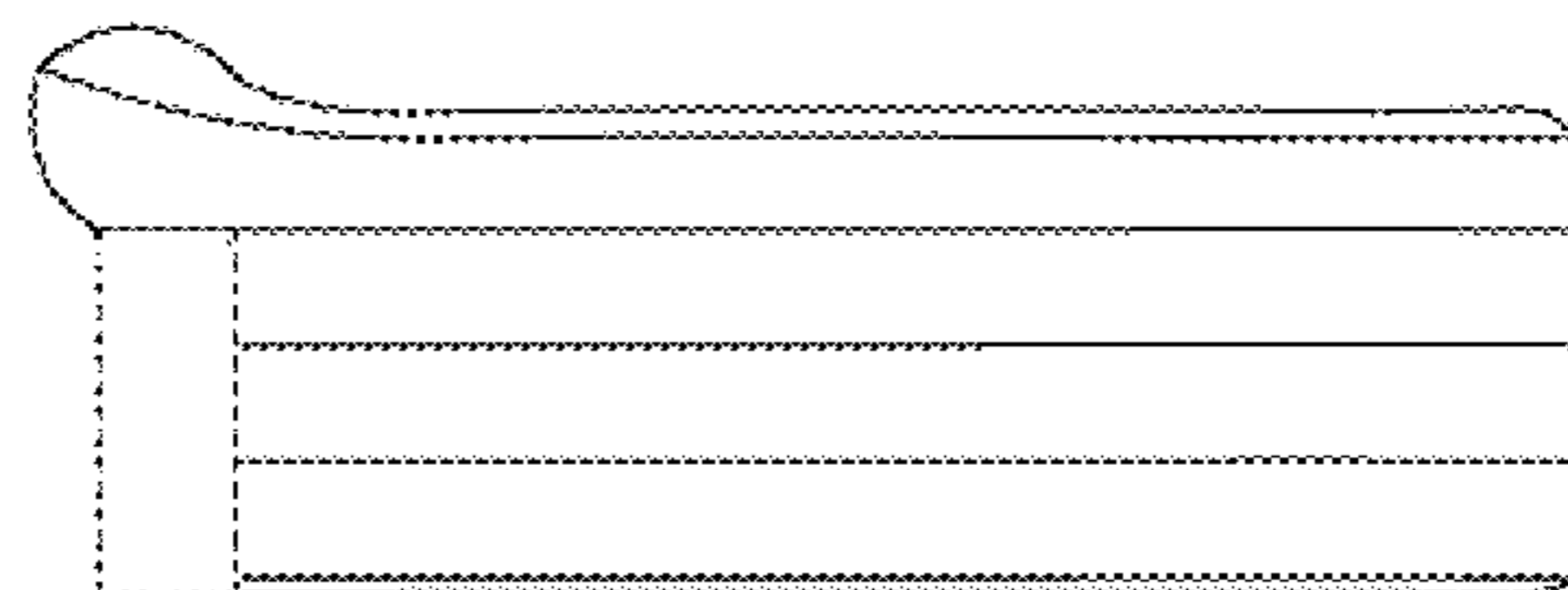
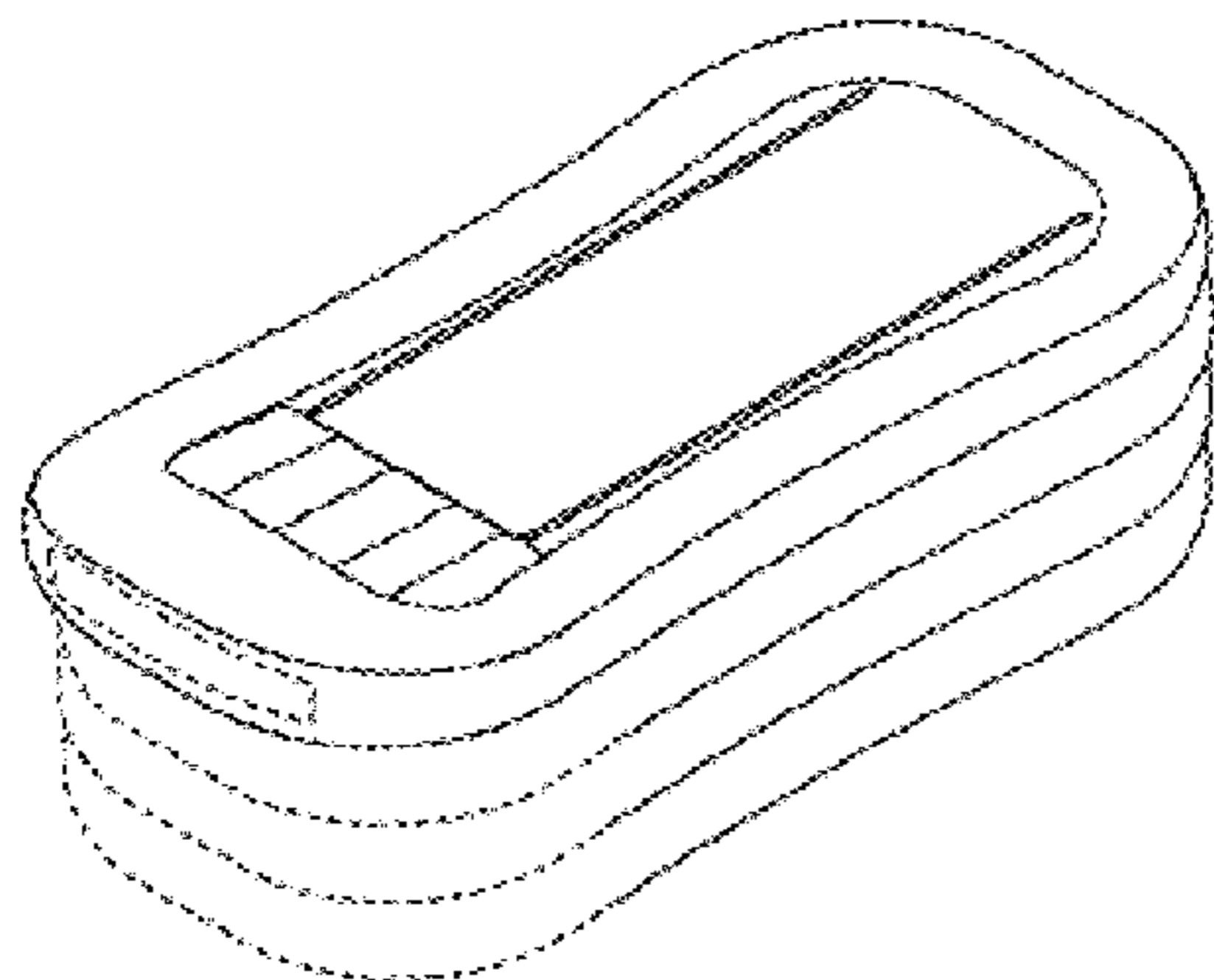
**3.5** is a right side elevation view thereof;

**3.6** is a rear elevation view thereof; and

**3.7** is a bottom plan view thereof.

The broken lines shown are included for the purpose of illustrating portions of the inflatable bath that form no part of the claim.

**1 Claim, 14 Drawing Sheets**



(56)

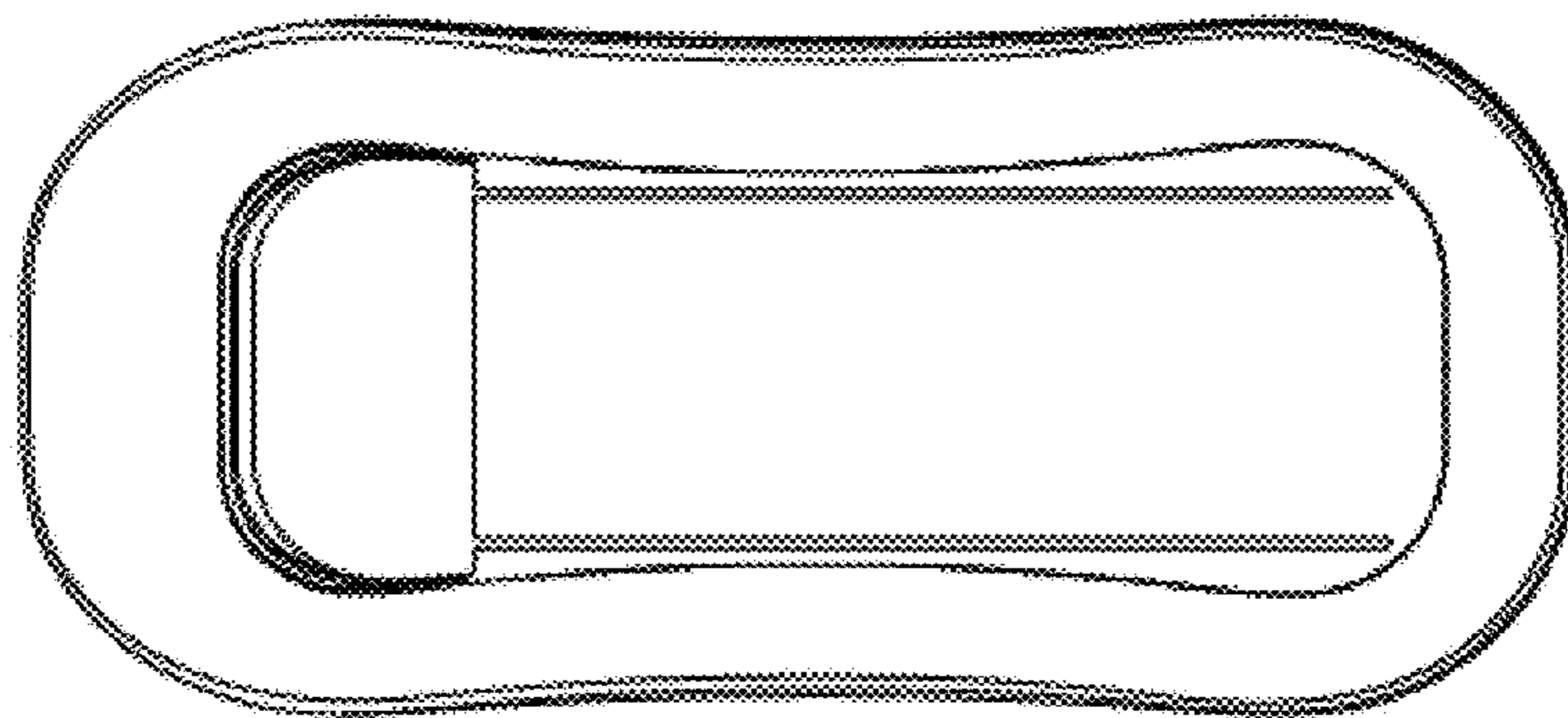
**References Cited**

U.S. PATENT DOCUMENTS

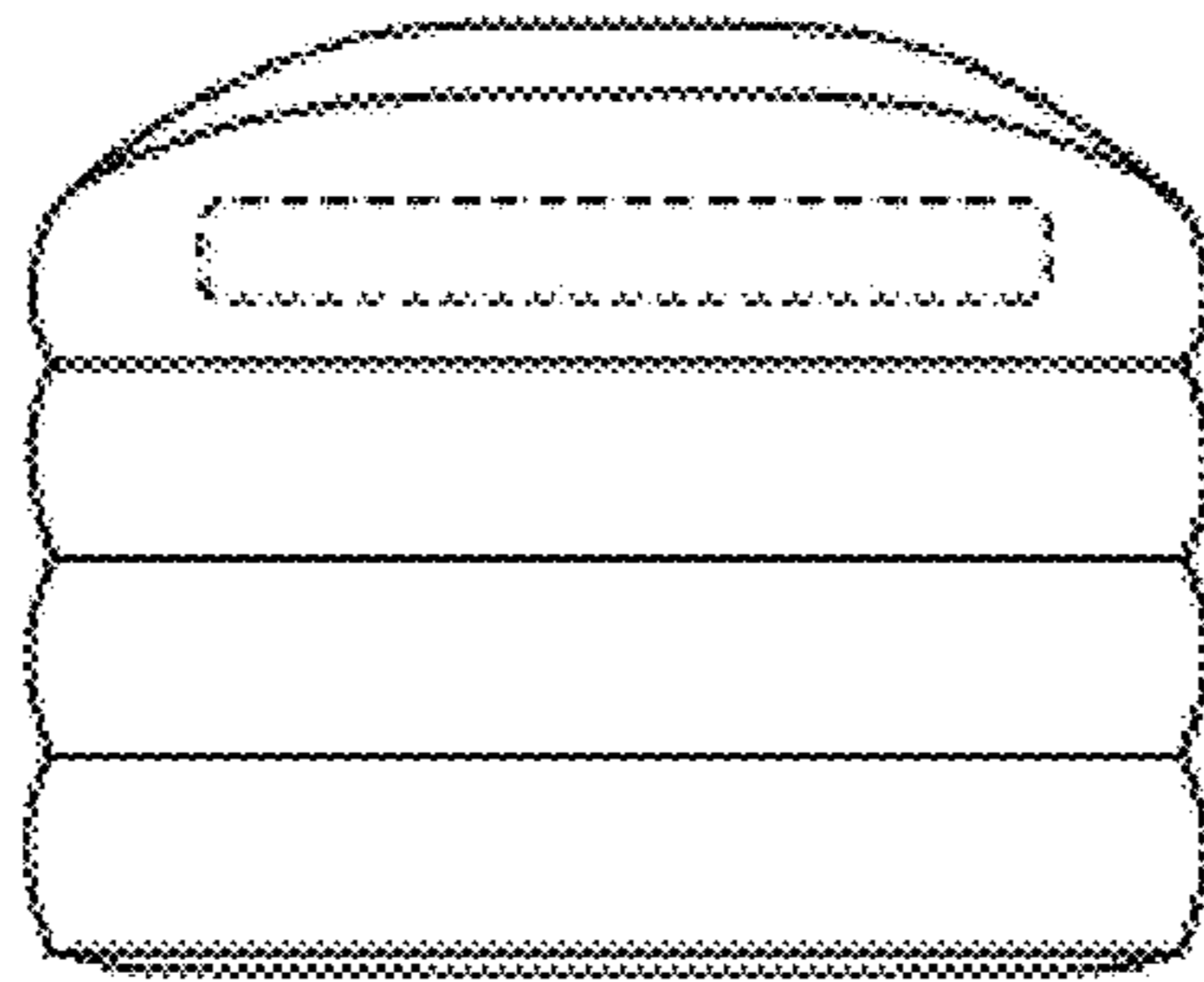
D777,303 S \* 1/2017 Henry-Offor ..... E04H 4/14  
D23/277  
2010/0293707 A1\* 11/2010 Dean ..... 4/585  
2016/0367081 A1\* 12/2016 Kuipers ..... A47K 3/06

\* cited by examiner

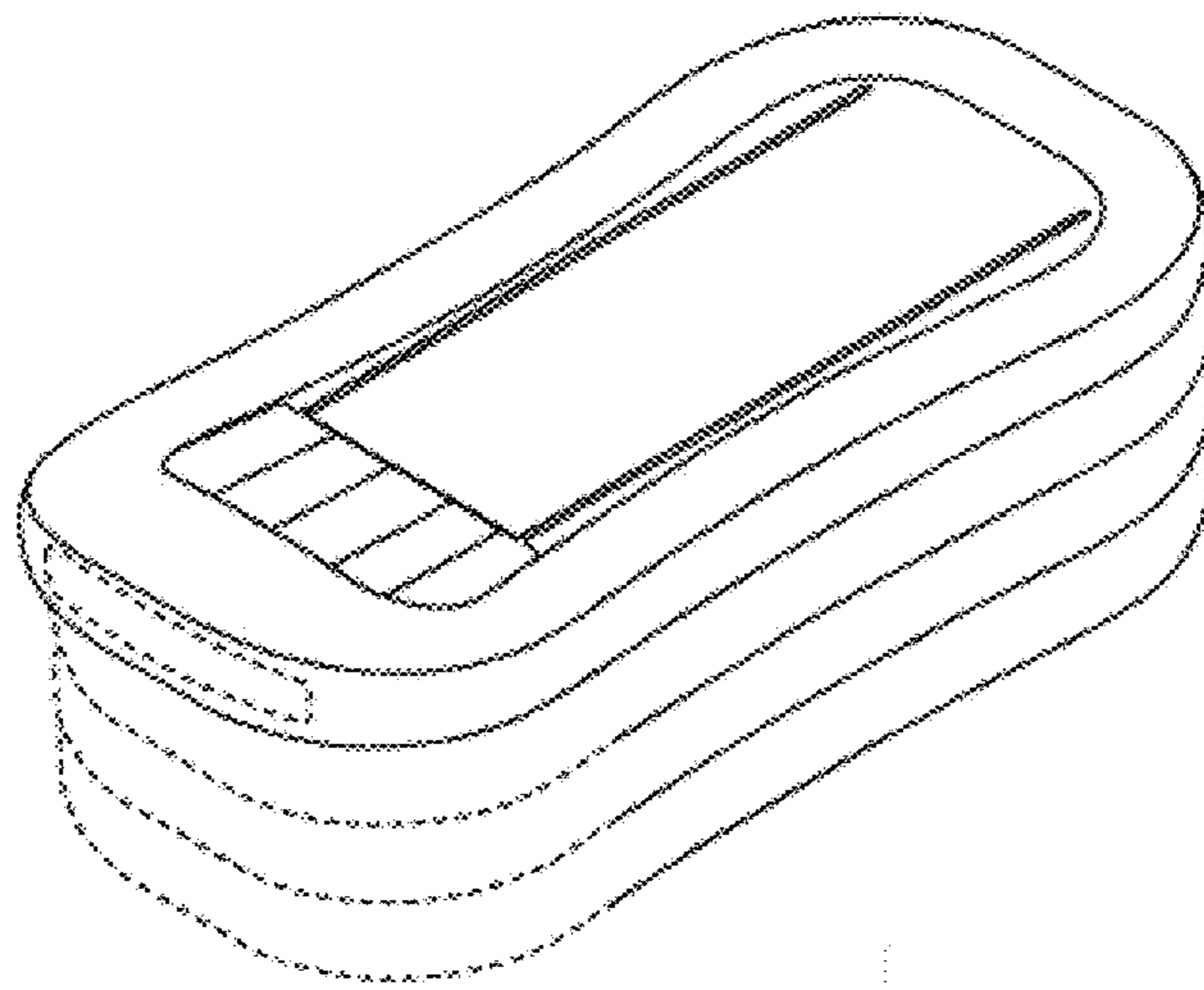
1.1



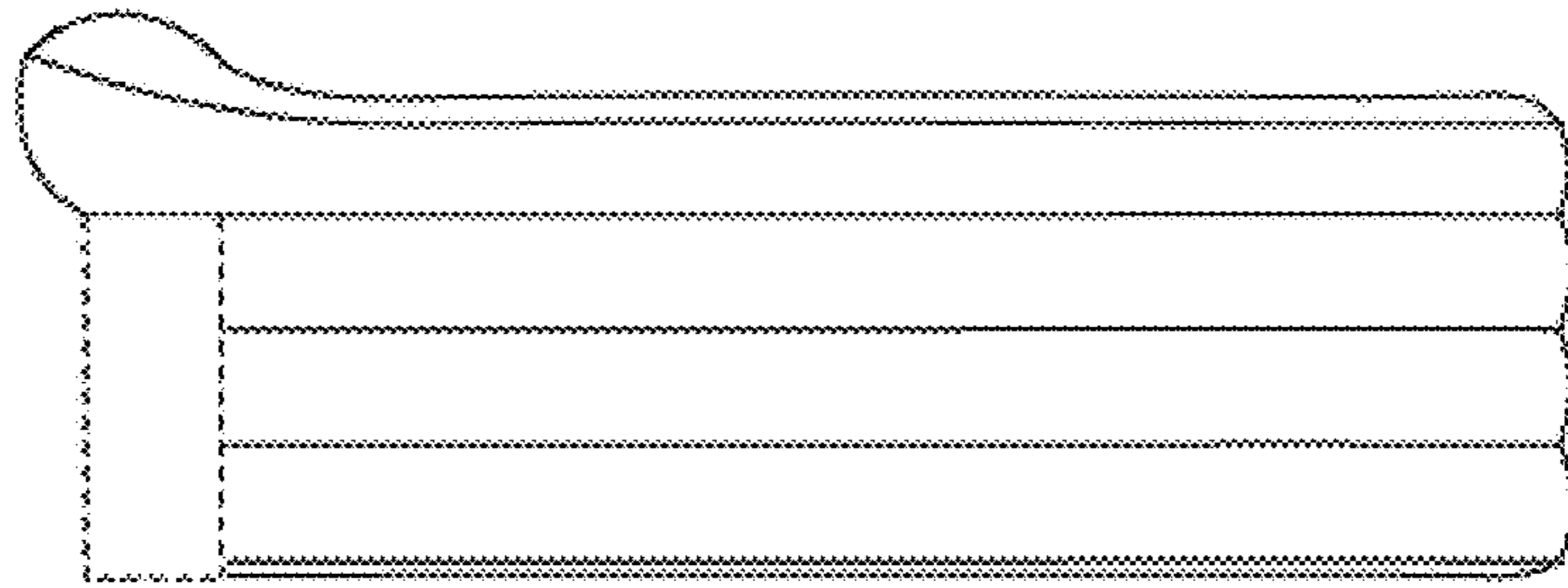
1.2



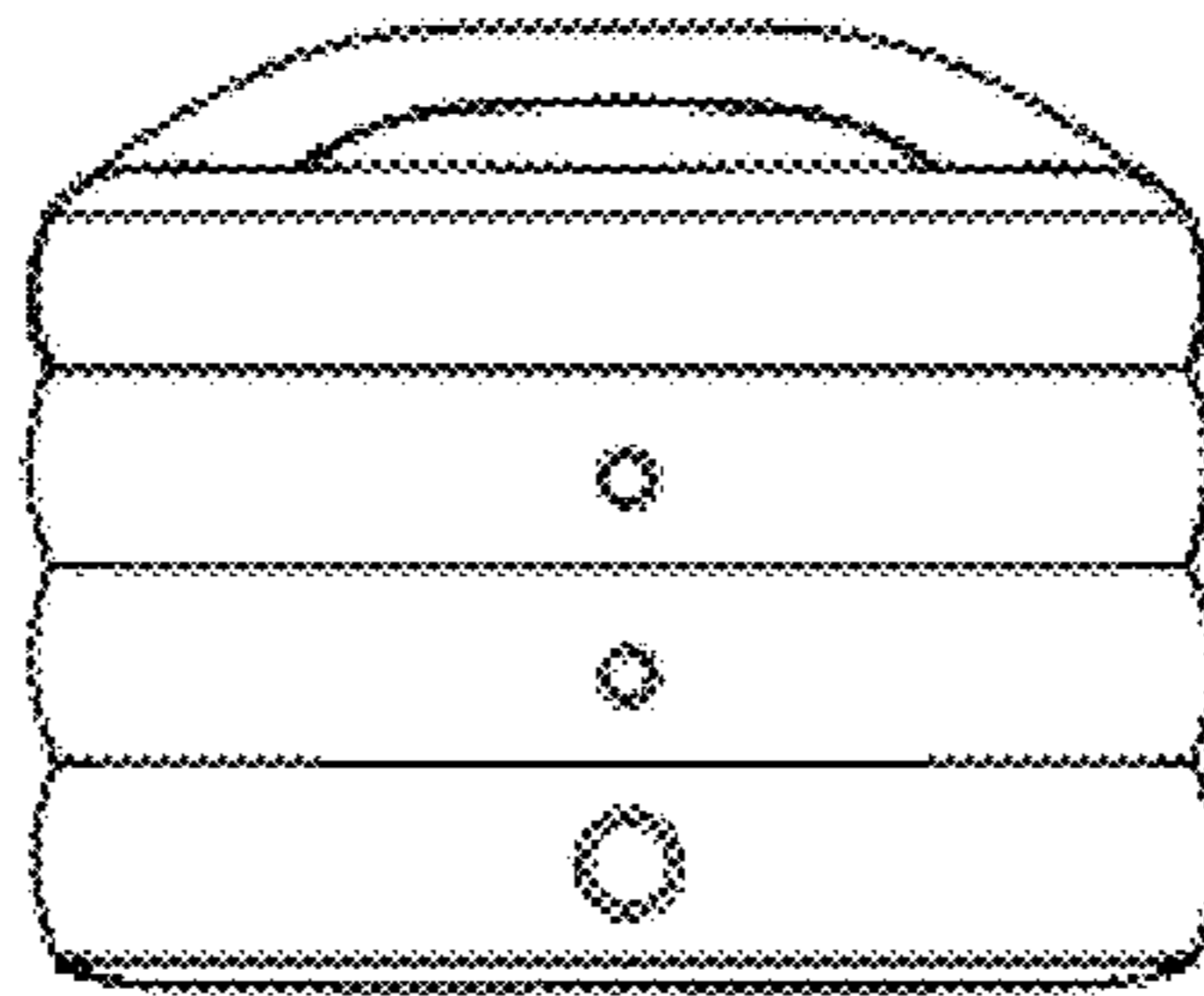
1.3



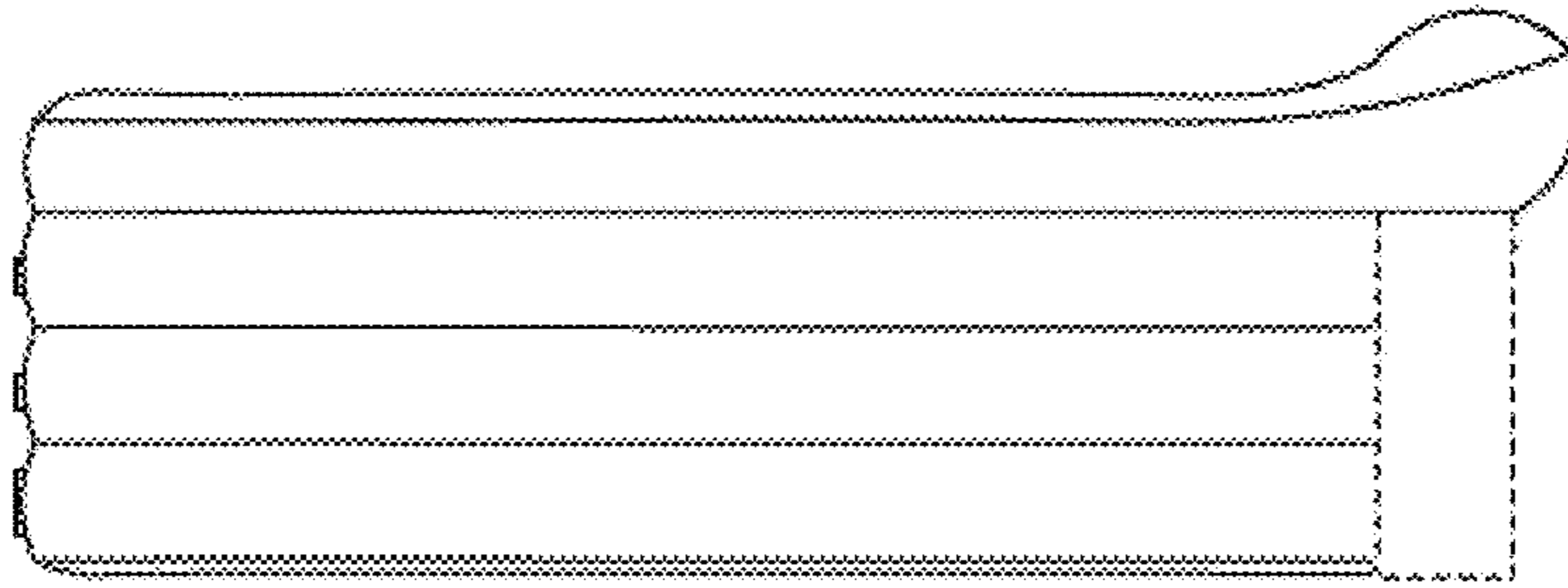
1.4



1.5

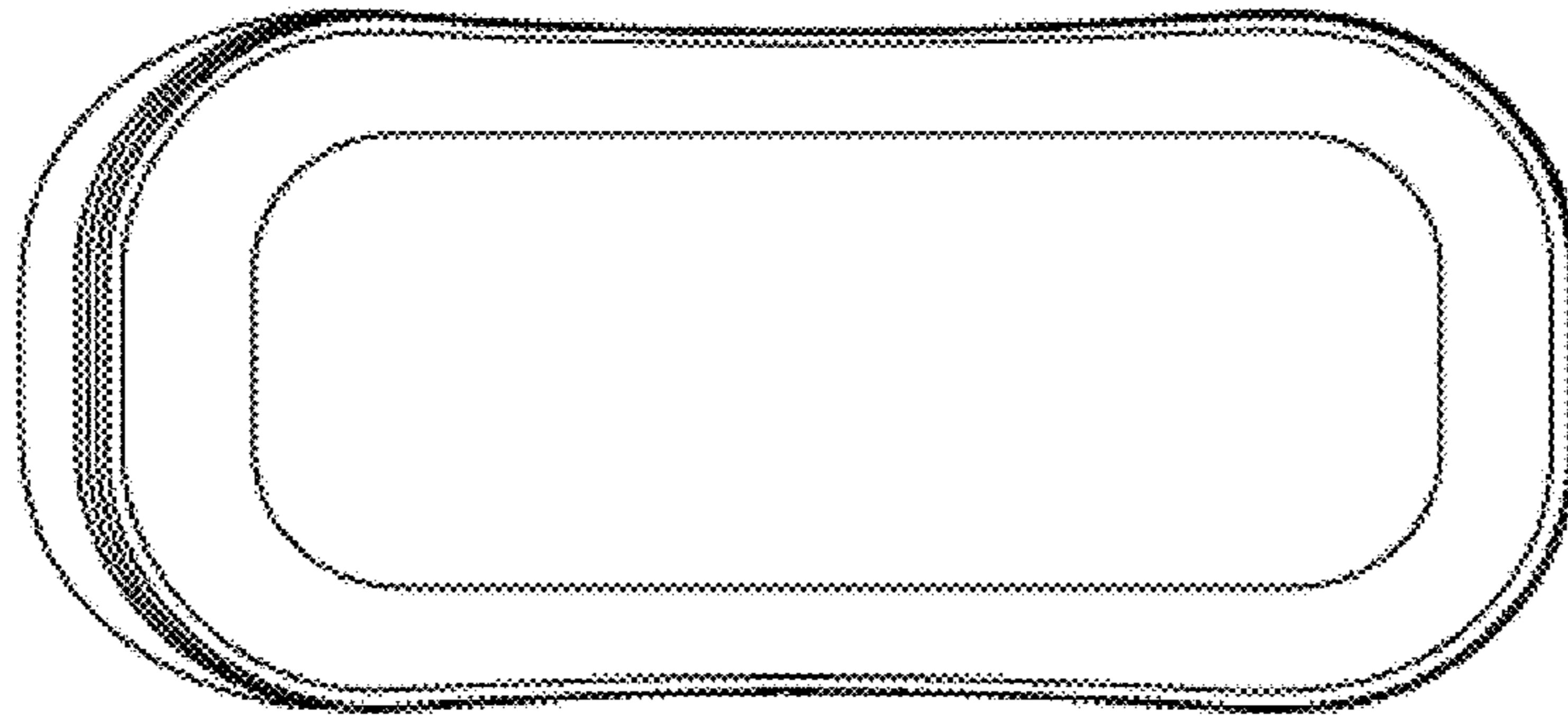


1.6

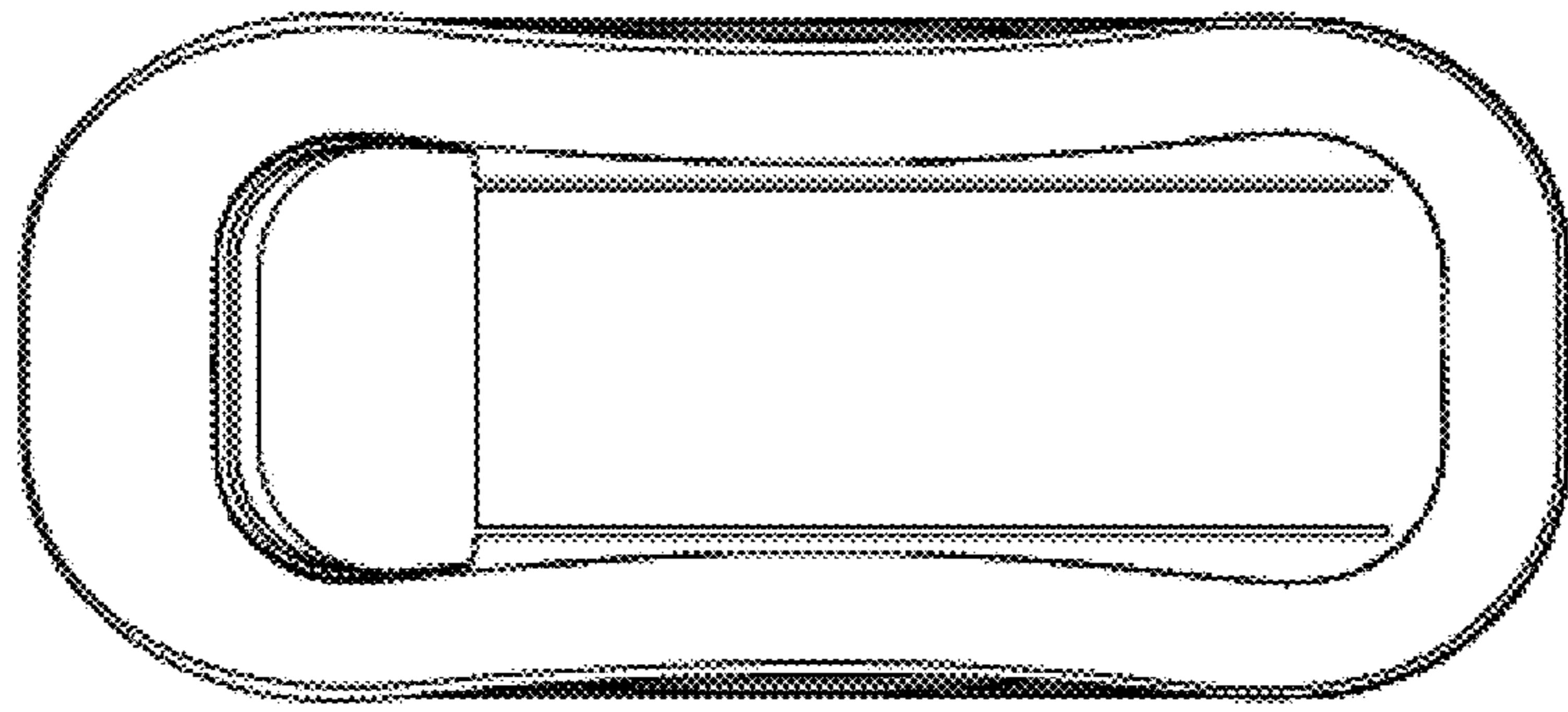




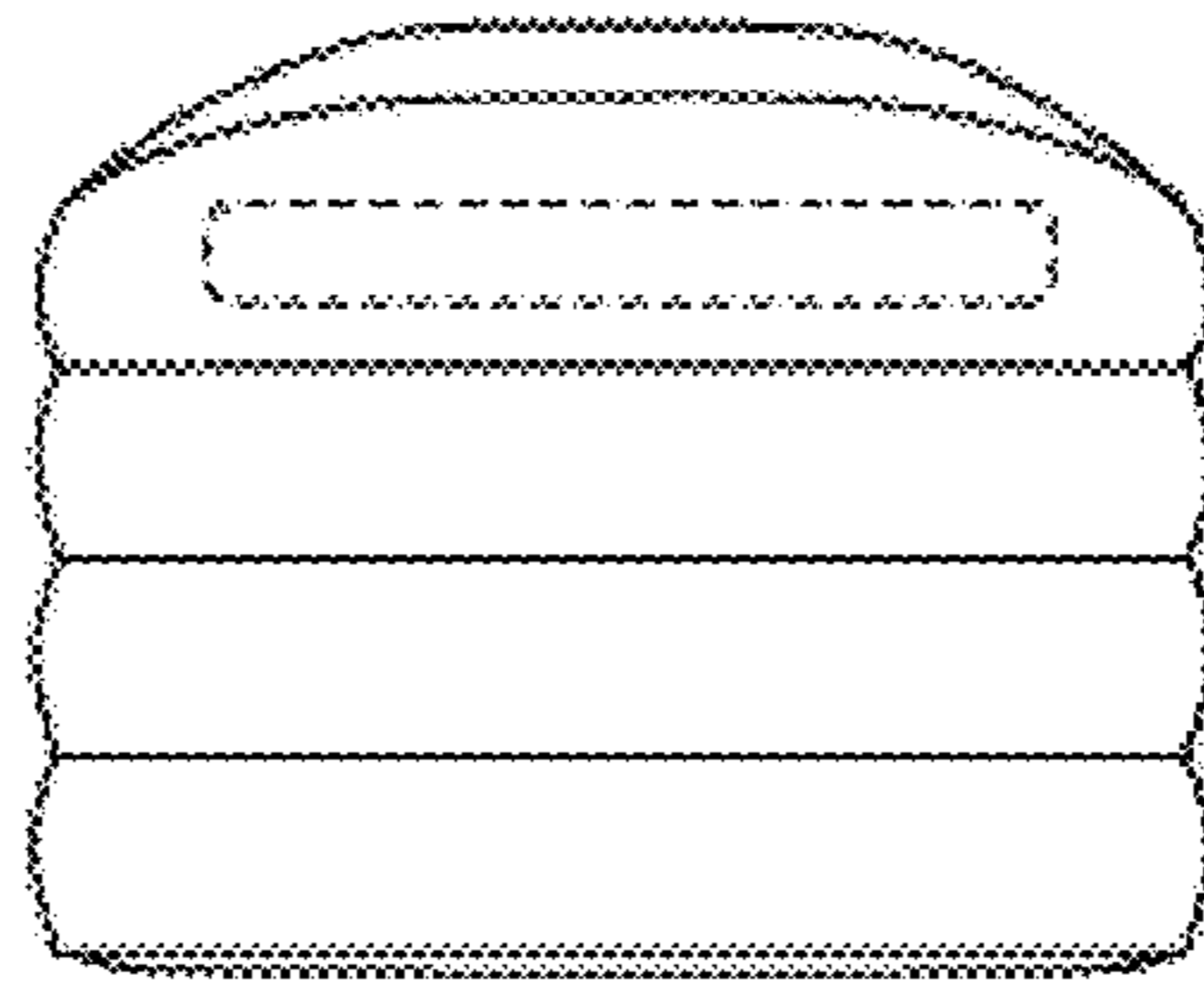
1.7



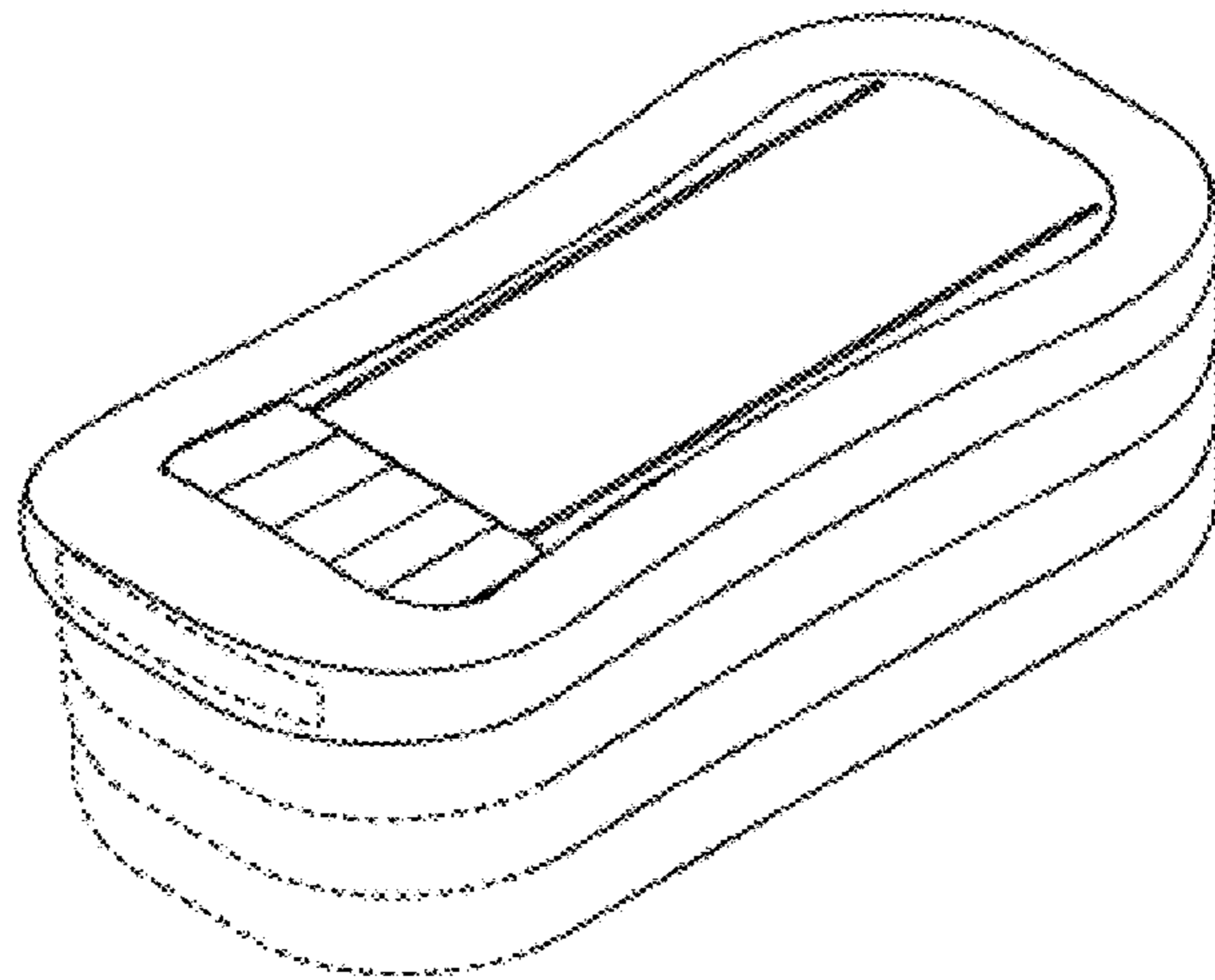
3.1



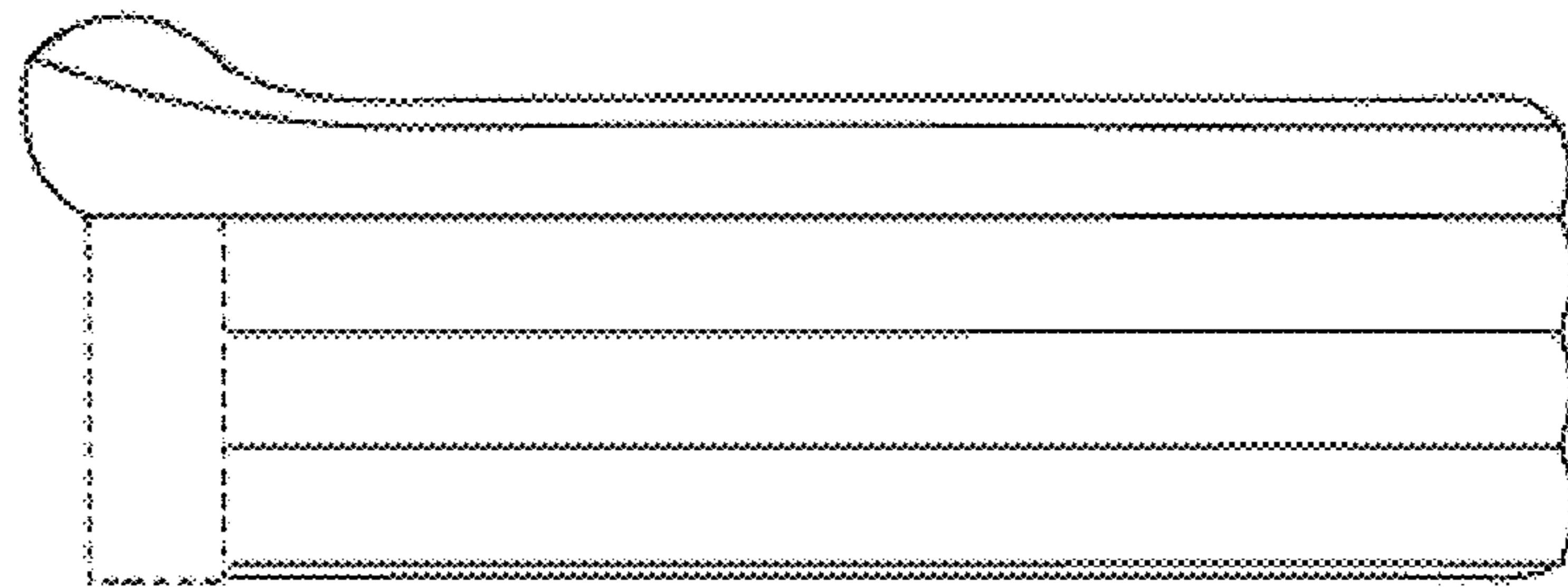
3.2



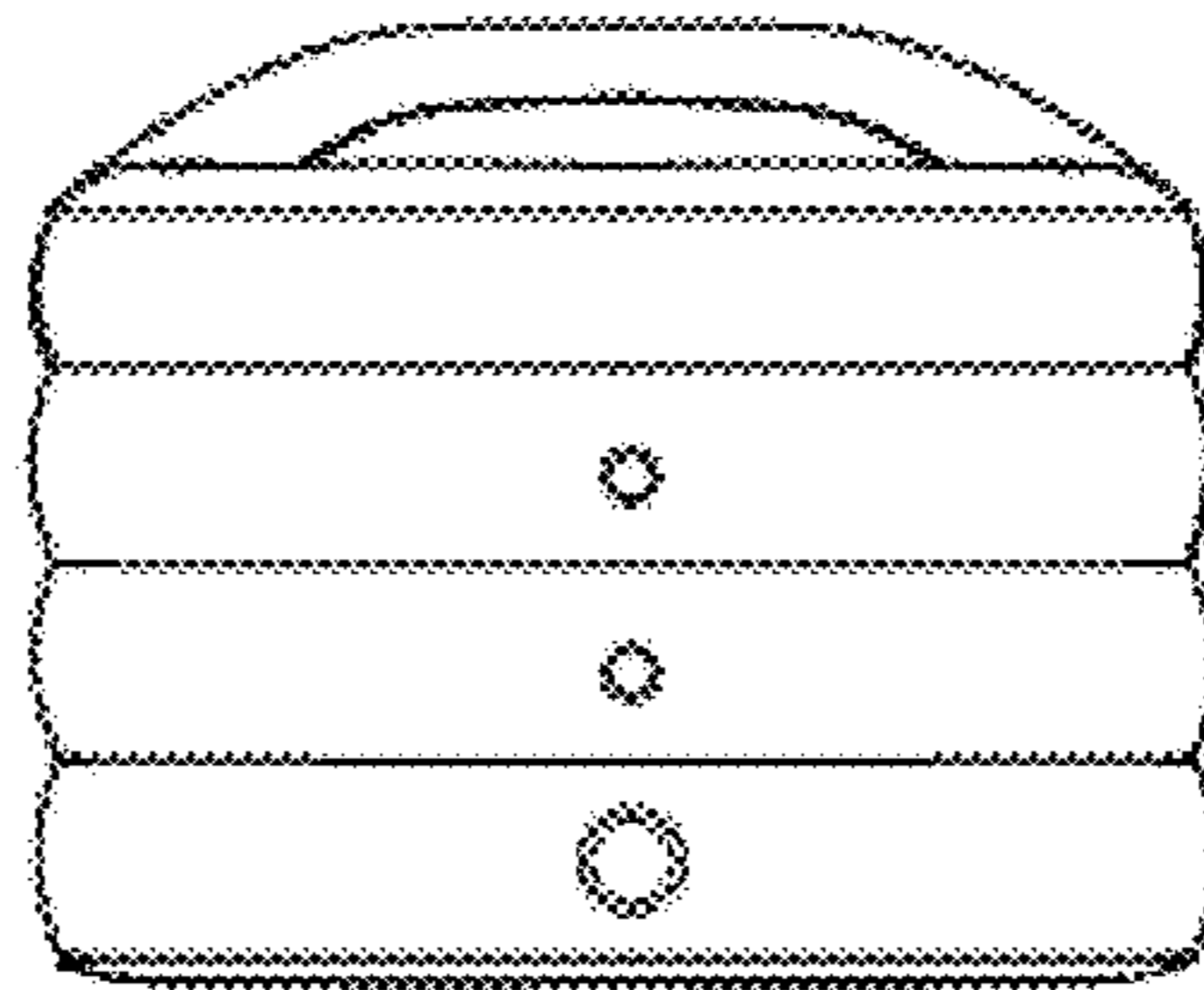
3.3



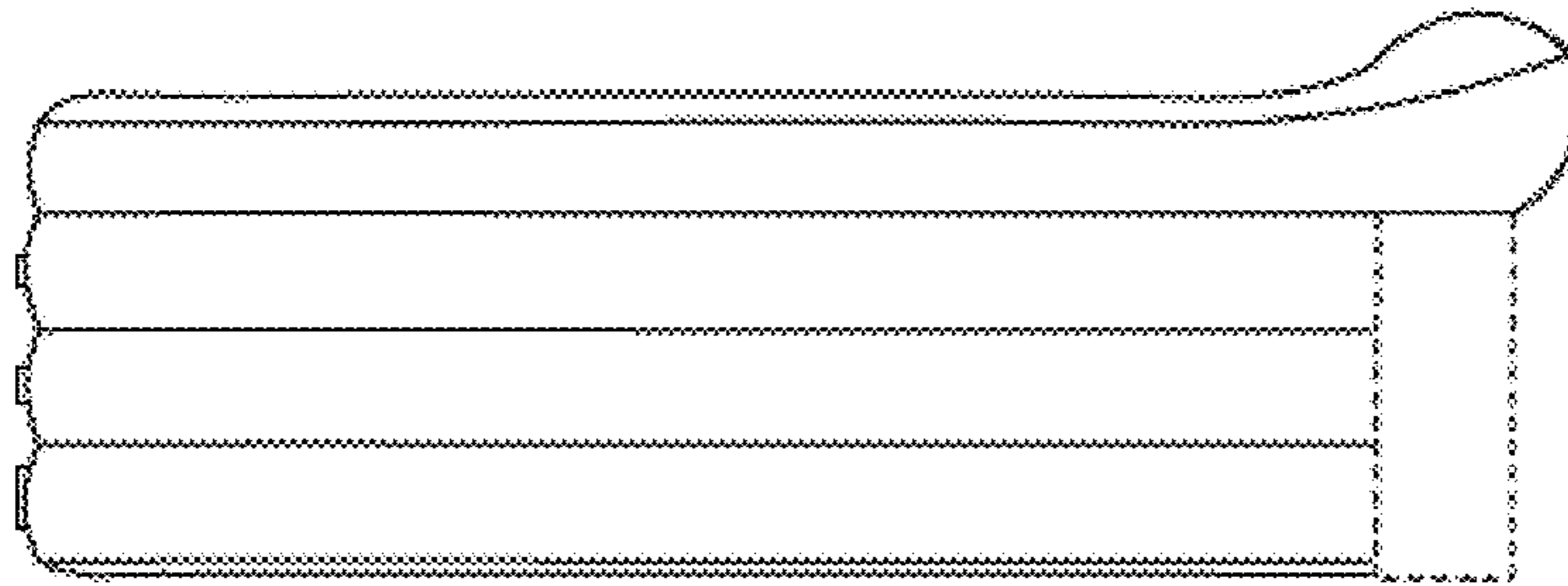
3.4



3.5



3.6



3.7

