



US00D844759S

(12) **United States Design Patent**
Kresge

(10) **Patent No.:** **US D844,759 S**
(45) **Date of Patent:** **** Apr. 2, 2019**

(54) **PLASTIC BIRD GUARD FOR DRYER VENT**

5,596,834 A * 1/1997 Ritter A01M 29/30
52/101

(71) Applicant: **David Kresge**, Las Vegas, NV (US)

6,058,646 A * 5/2000 Bishoff A01M 1/026
43/124

(72) Inventor: **David Kresge**, Las Vegas, NV (US)

D486,891 S * 2/2004 Cronce, Jr. D23/260

(**) Term: **15 Years**

OTHER PUBLICATIONS

(21) Appl. No.: **29/631,219**

OpenTip.com, Deflecto UBGWL-A Universal Bird Guard (Year: 2018).*

(22) Filed: **Dec. 28, 2017**

Bird B Gone Professional Bird Control Products (Year: 2018).*

(51) **LOC (11) Cl.** **23-01**

* cited by examiner

(52) **U.S. Cl.**

USPC **D23/260**

Primary Examiner — Catherine R Oliver-Garcia

(58) **Field of Classification Search**

(74) *Attorney, Agent, or Firm* — O’Shea Getz P.C.

USPC D22/119–124; D23/260–261, 267, 397;
D30/199; 52/16, 58, 219, 302.1, 101;
137/360, 527.6, 527.8, 873

(57) **CLAIM**

CPC E04D 13/08; E04D 2013/0806; E03F 7/00;
E03F 7/06; Y10T 137/7885; E03C 1/12;
A01M 1/24; A01M 1/026; A01M 29/30

The ornamental design for a plastic bird guard for dryer vent, as shown and described.

See application file for complete search history.

DESCRIPTION

(56) **References Cited**

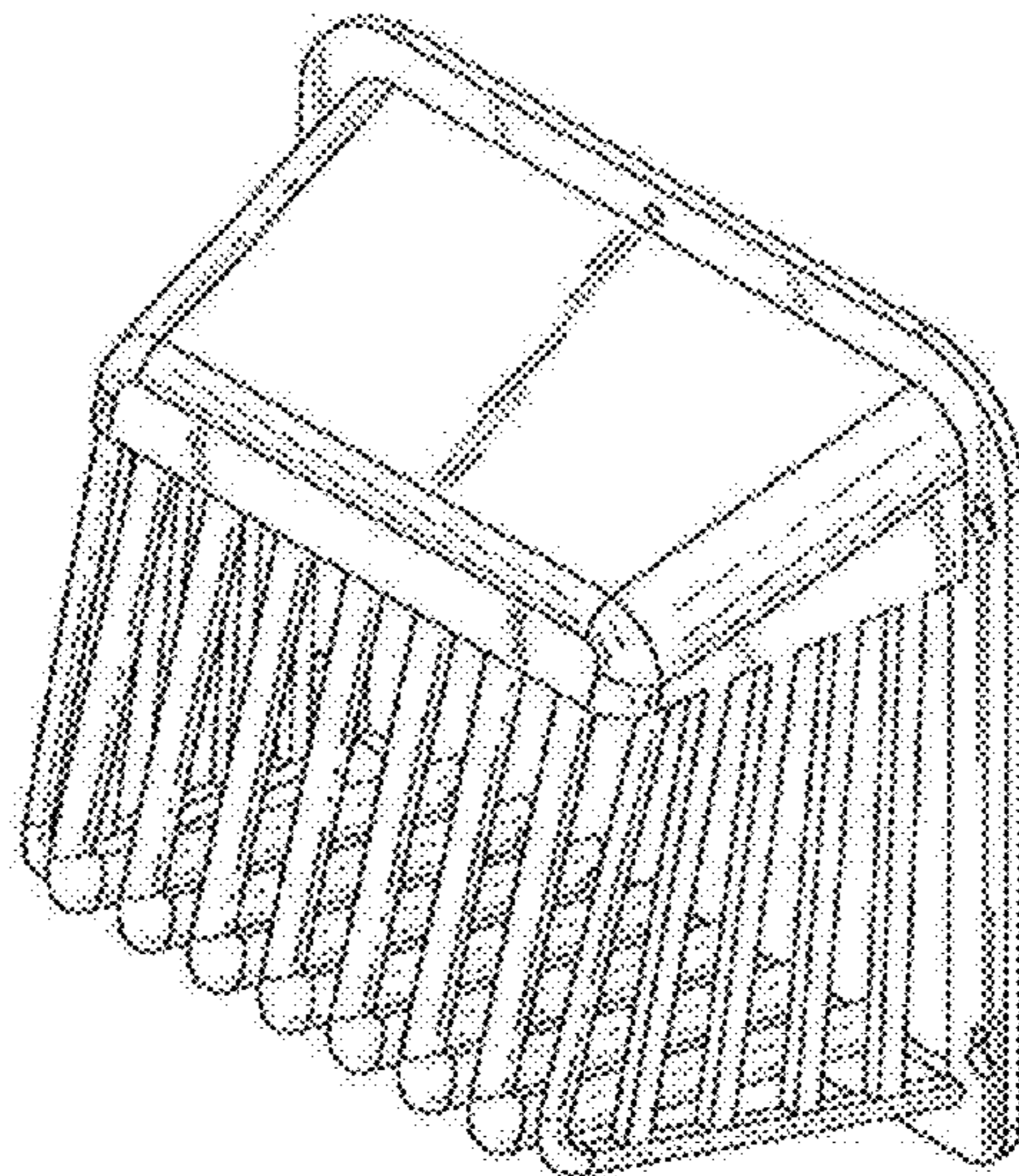
FIG. 1 is a front perspective view of a plastic bird guard for a dryer vent;

U.S. PATENT DOCUMENTS

- 3,714,733 A * 2/1973 Madonna A01M 1/24
43/121
- D245,255 S * 8/1977 Porter D23/260
- D301,164 S * 5/1989 Weaver 52/16
- 5,090,152 A * 2/1992 Ling E03F 7/06
137/849
- 5,427,417 A * 6/1995 Lechuga E03C 1/12
52/101

- FIG. 2 is a rear perspective view thereof;
- FIG. 3 is a front elevational view thereof;
- FIG. 4 is a rear elevational view thereof;
- FIG. 5 is a bottom plan view thereof;
- FIG. 6 is a top plan view thereof; and,
- FIG. 7 is a right view thereof.

1 Claim, 3 Drawing Sheets



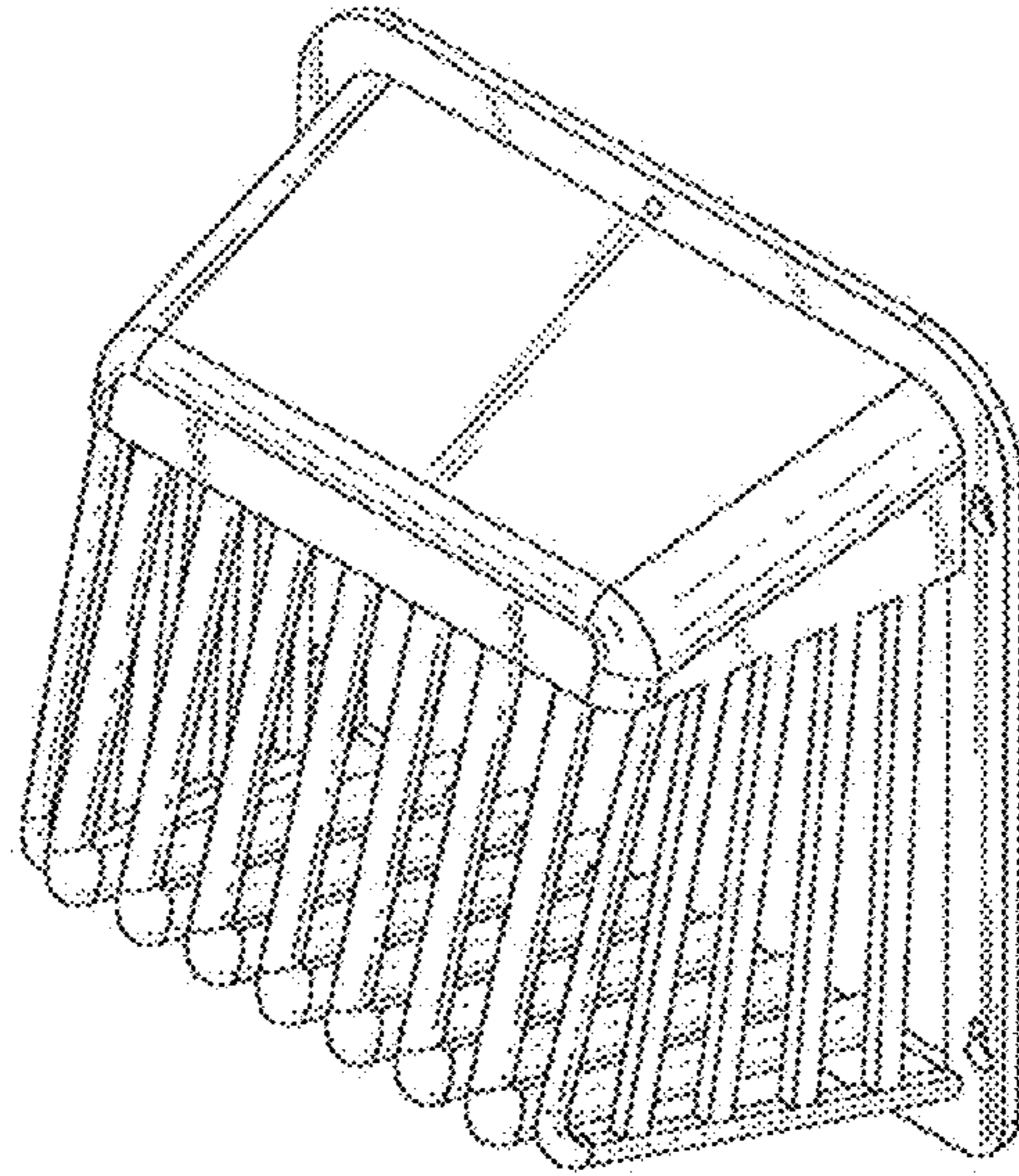


FIG. 1

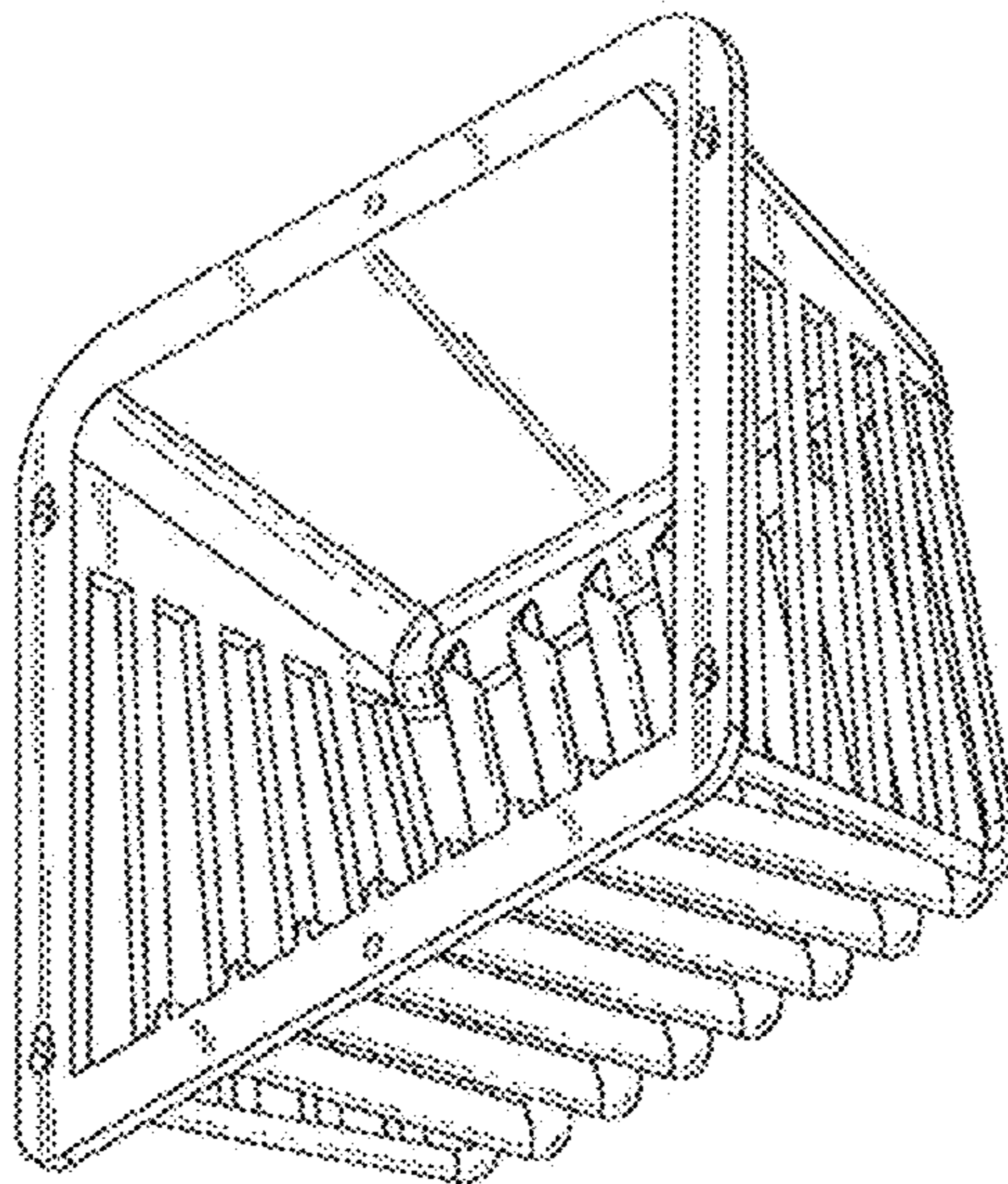


FIG. 2

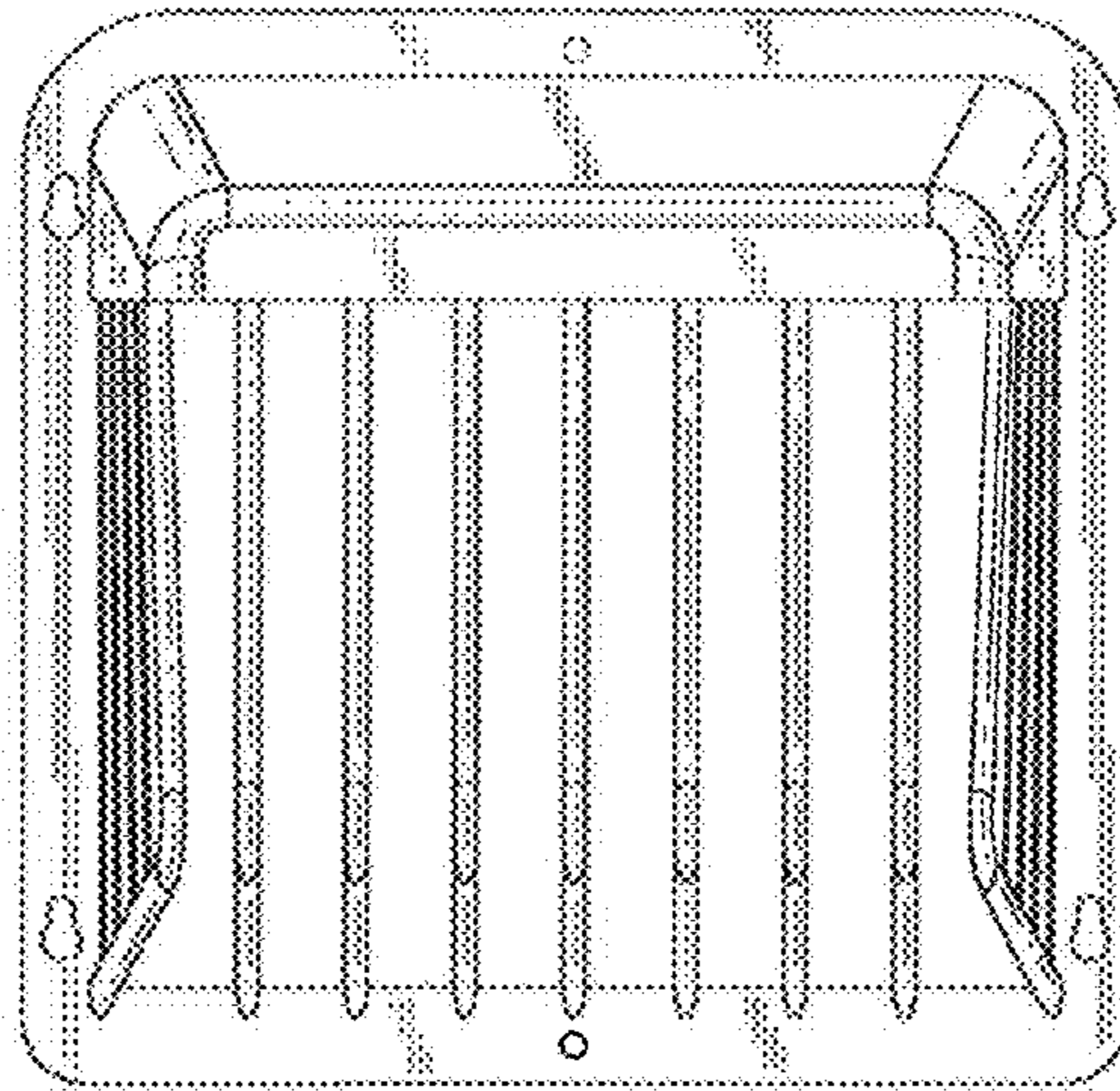


FIG. 3

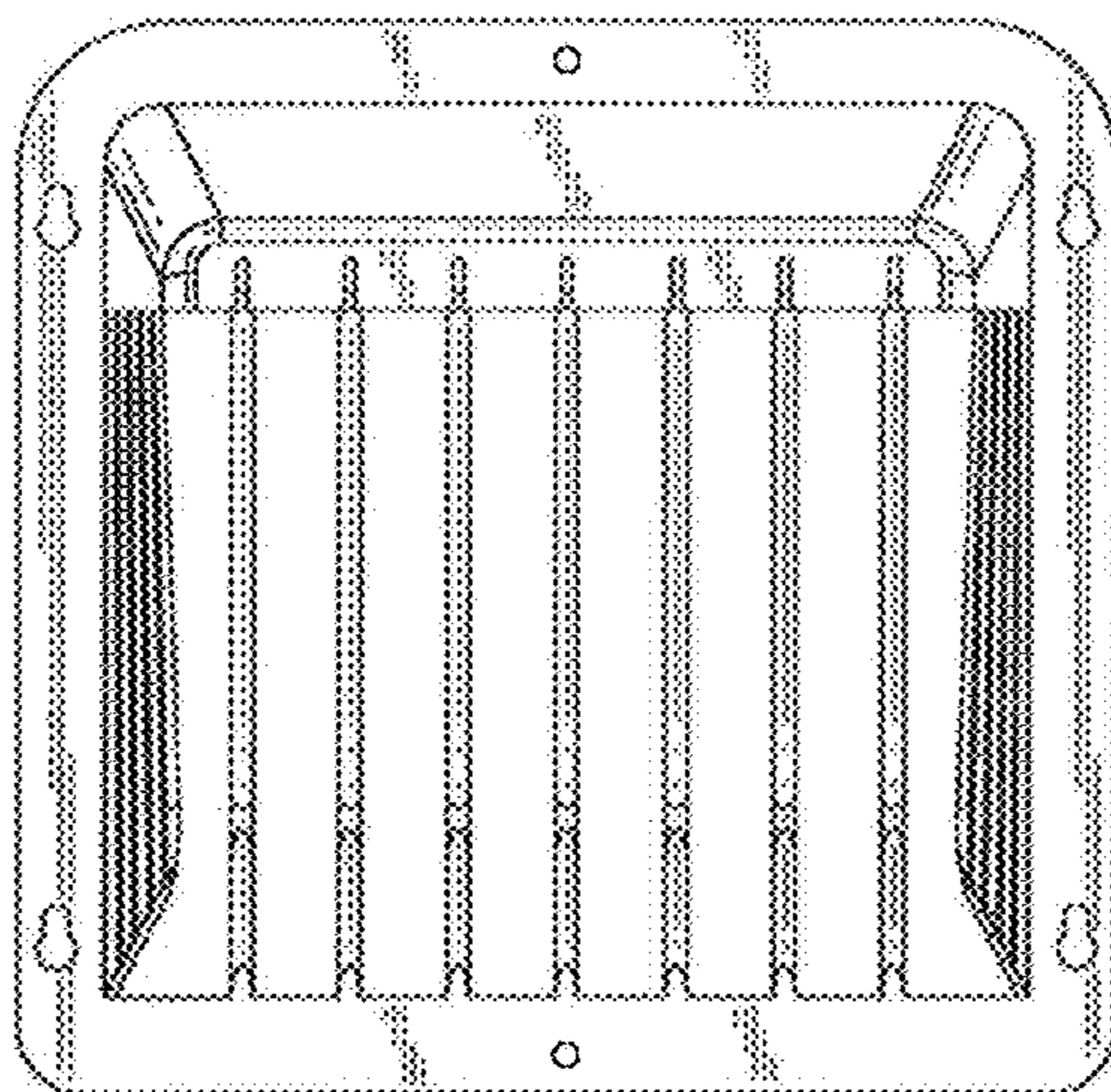


FIG. 4

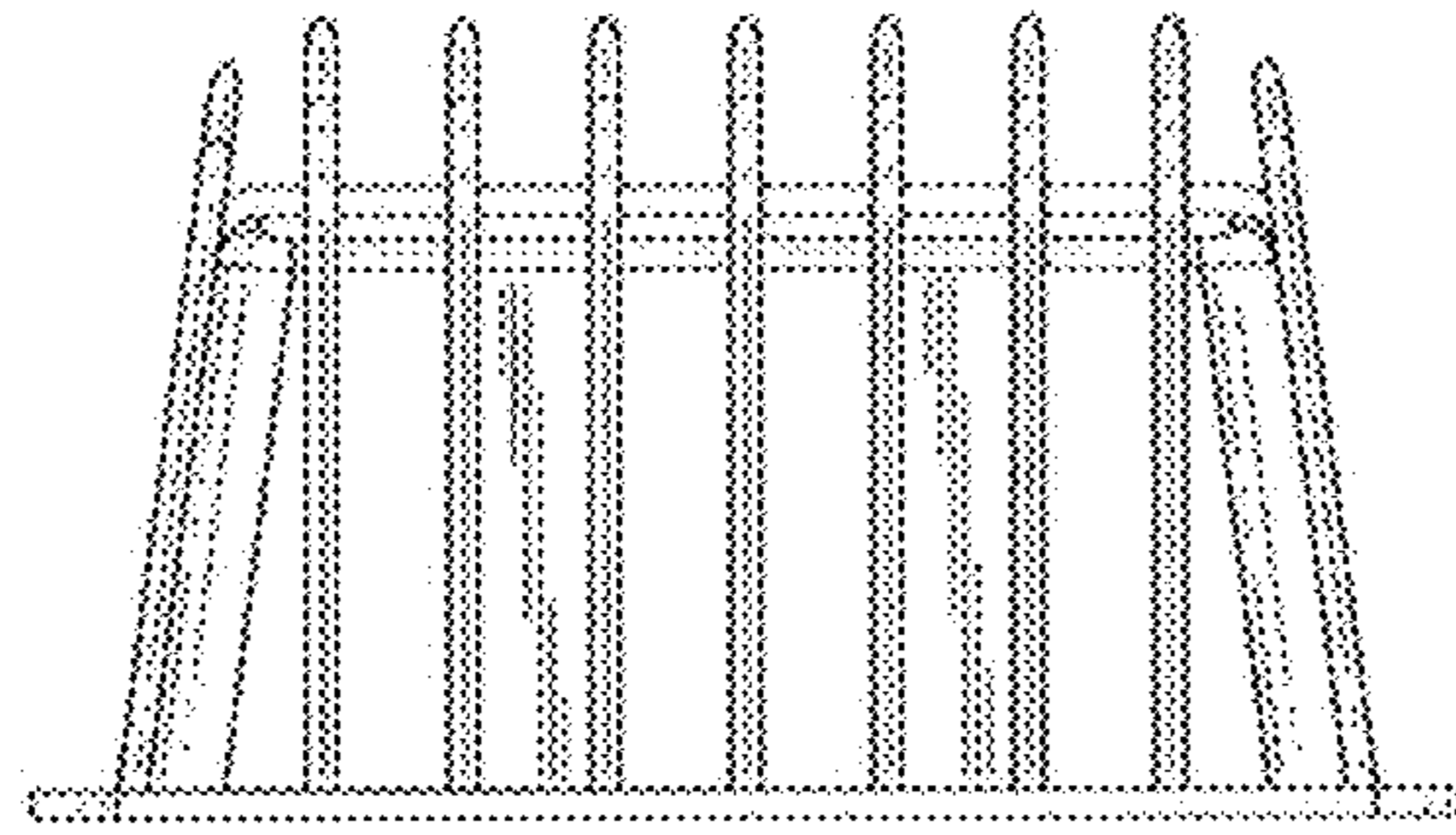


FIG. 5

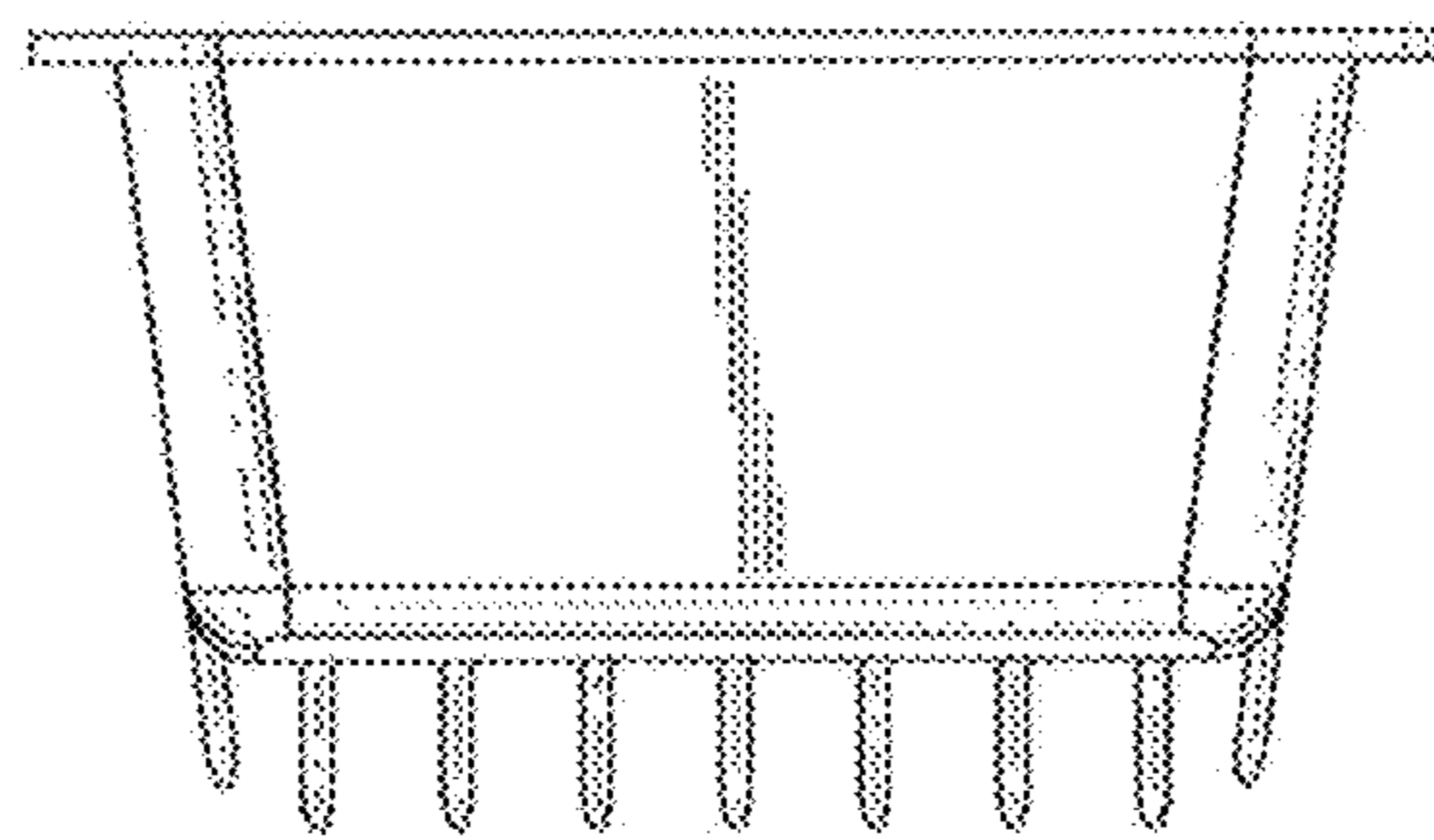


FIG. 6

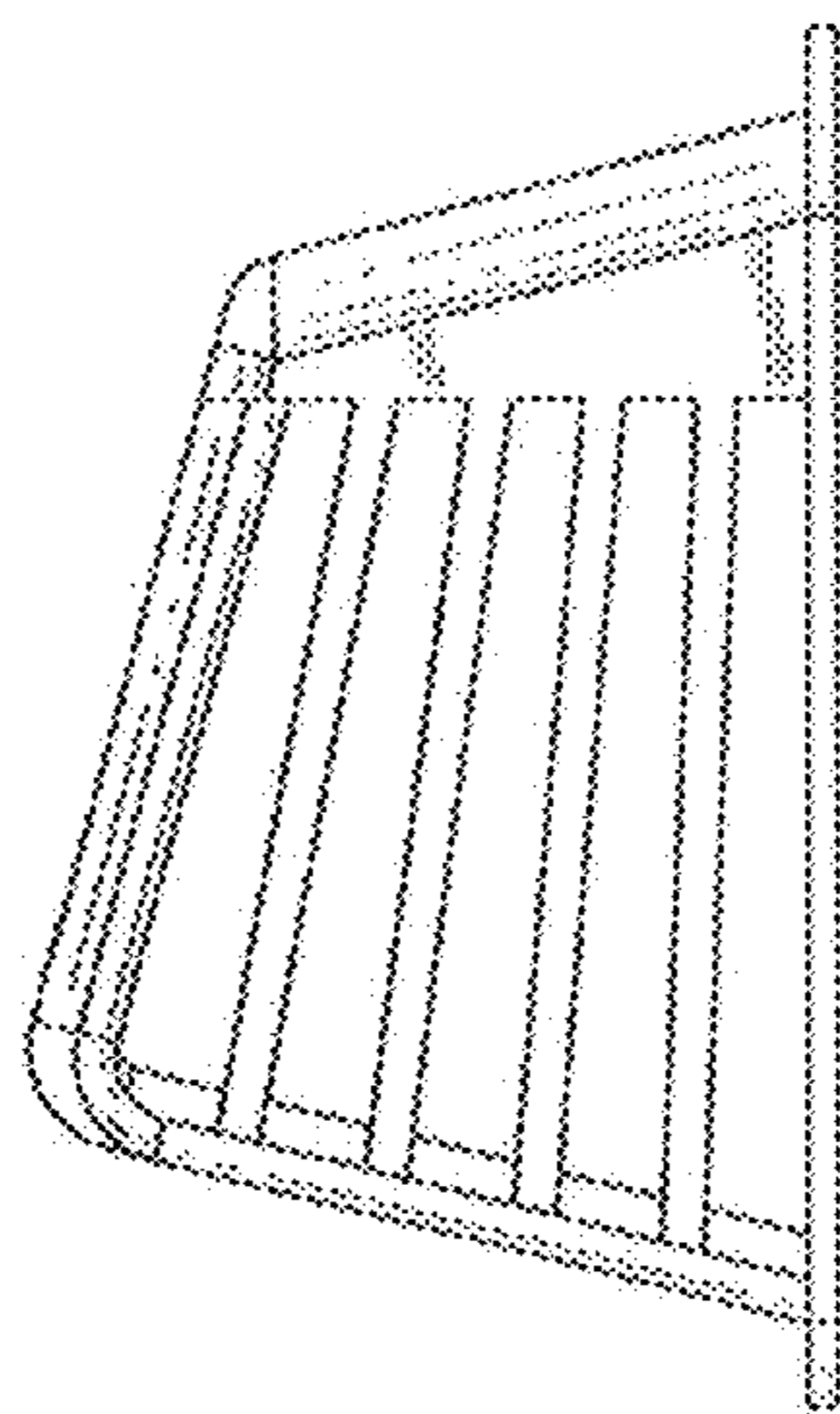


FIG. 7