



US00D844758S

(12) **United States Design Patent** (10) **Patent No.:** **US D844,758 S**
Ball (45) **Date of Patent:** **** Apr. 2, 2019**

- (54) **DEVICE FOR CONCEALING A FLANGE**
- (71) Applicant: **WCM Industries, Inc.**, Colorado Springs, CO (US)
- (72) Inventor: **William T. Ball**, Colorado Springs, CO (US)
- (73) Assignee: **WCM INDUSTRIES, INC.**, Colorado Springs, CO (US)
- (**) Term: **15 Years**
- (21) Appl. No.: **29/599,496**
- (22) Filed: **Apr. 4, 2017**

Related U.S. Application Data

- (60) Continuation of application No. 29/561,022, filed on Apr. 12, 2016, now Pat. No. Des. 787,024, which is a continuation of application No. 14/332,148, filed on Jul. 15, 2014, now Pat. No. 9,453,329, which is a division of application No. 13/274,804, filed on Oct. 17, 2011, now Pat. No. 8,813,272.
- (51) **LOC (11) Cl.** **23-01**
- (52) **U.S. Cl.**
USPC **D23/259**
- (58) **Field of Classification Search**
USPC D23/259–261, 262, 268, 208–210, 269, D23/249; 4/286–287, 290, 292, 295, 4/288–294, 650, 652; D21/443–444; 446/34, 46, 48; D8/352; 285/161, 296, 285/405, 408, 411, 413, 414, 902, 918; 277/350–353, 382, 384, 422, 549; D7/359, 556, 553.7, 553.8, 554.1; D14/230; D30/132
CPC E03C 1/23; E03C 1/24; E03C 1/26; E03C 1/28; E03C 1/262; E03C 1/264; E03C 1/298; A47K 1/14
See application file for complete search history.

- (56) **References Cited**
- U.S. PATENT DOCUMENTS
- 441,099 A * 11/1890 Hoyt A63F 9/02
273/353
- 569,247 A 10/1896 Smith
- 820,437 A 5/1906 Pehrson
- 1,059,748 A 4/1913 Mueller et al.
- (Continued)
- FOREIGN PATENT DOCUMENTS
- CA 530215 9/1956
- DE 419477 9/1925
- (Continued)
- OTHER PUBLICATIONS
- U.S. Appl. No. 29/561,020, filed Apr. 12, 2016, Ball.
(Continued)

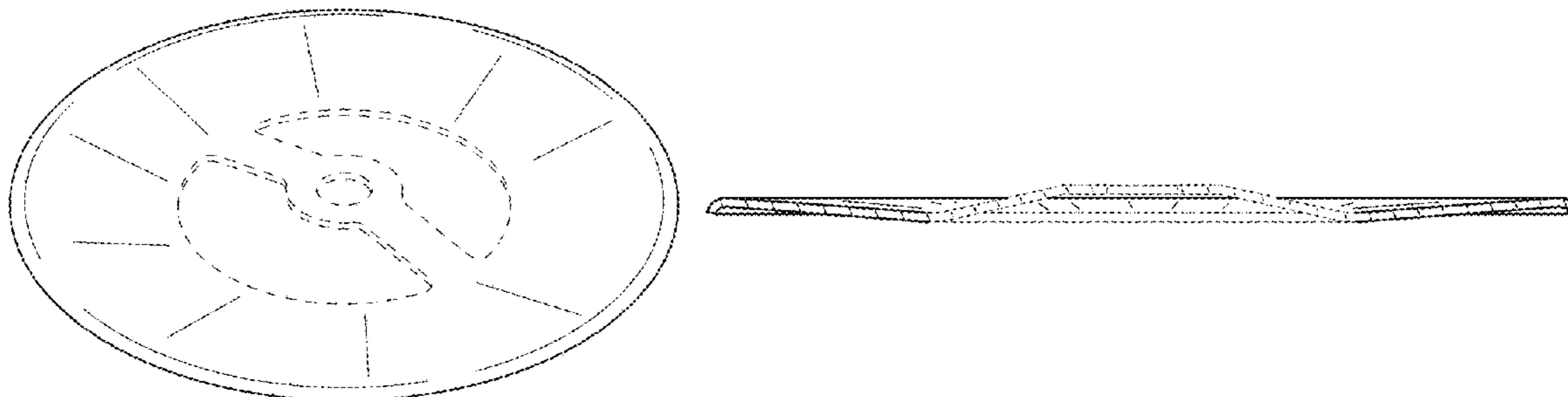
Primary Examiner — Eric L Goodman
Assistant Examiner — Amy C Wierenga

(57) **CLAIM**
The ornamental design for a device for concealing a flange, as shown and described.

DESCRIPTION

FIG. 1 is a perspective view of the device for concealing a flange showing the new design;
FIG. 2 is a top plan view thereof;
FIG. 3 is a front elevation view thereof, the rear elevation view being a mirror image thereof;
FIG. 4 is a left elevation view thereof, the right elevation view being a mirror image thereof; and
FIG. 5 is a bottom plan view thereof; and,
FIG. 6 is a cross-sectional view thereof, taken along line 6-6 of FIG. 2.
The broken lines depict portions of the article that form no part of the claim.

1 Claim, 4 Drawing Sheets



US D844,758 S

(56)

References Cited

U.S. PATENT DOCUMENTS

1,592,866 A	7/1926	Murphy	5,072,461 A	12/1991	Logsdon
1,805,816 A	5/1931	Fleming	D326,456 S	5/1992	Hahn
1,852,123 A	4/1932	Lutsky	5,150,886 A *	9/1992	Hamberg B60G 13/16
1,995,474 A *	3/1935	Gunther A47K 1/14			267/140.4
		4/287	5,165,118 A	11/1992	Cendrowski
2,190,532 A	2/1940	Lukomski	D337,511 S *	7/1993	Donaldson D3/24
2,222,807 A	11/1940	Burr	D341,390 S *	11/1993	Nottingham D21/444
2,278,566 A	4/1942	Schaible	5,265,281 A	11/1993	McAlpine
2,323,224 A	6/1943	Kuhnle	5,271,108 A	12/1993	Wicke
2,389,528 A *	11/1945	McConaghy F16J 15/363	5,291,619 A	3/1994	Adorjan
		277/384	5,297,817 A	3/1994	Hodges
2,528,919 A	11/1950	Stone et al.	5,318,230 A	6/1994	Ferguson et al.
D176,281 S *	12/1955	Patriquin D8/352	5,330,811 A	7/1994	Buchalter
2,731,649 A	1/1956	Valentine	D353,847 S *	12/1994	Kelsen D21/444
2,736,577 A	2/1956	Mackey	5,369,815 A	12/1994	Martin
D180,635 S *	7/1957	Arbib D8/352	5,372,715 A	12/1994	Maggard et al.
2,800,231 A	7/1957	Hicks	5,376,264 A	12/1994	Betancourt
2,890,463 A	6/1959	Young	5,418,983 A	5/1995	Garguilio et al.
2,905,951 A	9/1959	Weddendorf, Jr.	5,442,819 A	8/1995	Penor et al.
2,976,543 A	3/1961	Turner et al.	D364,108 S	11/1995	DeWitt
3,037,212 A	6/1962	Kleinhof	D367,622 S	3/1996	DeWitt
3,046,028 A	7/1962	Nathan	D367,623 S	3/1996	DeWitt
3,048,415 A	8/1962	Shook	D371,958 S *	7/1996	Keaton D7/388
3,096,527 A	7/1963	Eynon	5,535,455 A	7/1996	Liu
3,212,416 A	10/1965	Boersma	5,560,052 A	10/1996	Ferguson et al.
3,306,512 A *	2/1967	Pagnini B65D 85/78	D379,403 S	5/1997	Jones
		229/932	5,692,248 A	12/1997	Ball
3,311,391 A	3/1967	Harrell	5,745,931 A	5/1998	Ball
3,316,562 A	5/1967	Van Dyke et al.	5,758,368 A	6/1998	Ball
3,345,085 A	10/1967	Hanes	5,819,328 A	10/1998	Lewis
3,349,412 A	10/1967	Schwartz et al.	D402,354 S	12/1998	Strong et al.
3,380,081 A	4/1968	Eilerstson et al.	5,881,397 A *	3/1999	Hobbs A47K 1/14
3,501,172 A	3/1970	Pickard			251/297
3,579,670 A	5/1971	Frank	5,890,241 A	4/1999	Ball
3,615,984 A	10/1971	Chase	5,924,635 A	7/1999	Koshimizu et al.
3,684,199 A	8/1972	Bebinger	D413,377 S	8/1999	Pauly
3,800,339 A	4/1974	Bergin	5,937,450 A	8/1999	Jones
3,813,708 A	6/1974	Hamburg	6,058,526 A	5/2000	Parisi et al.
3,881,201 A	5/1975	Richards	6,066,119 A	5/2000	Ball
3,911,635 A	10/1975	Traupe	6,067,669 A	5/2000	Peterson et al.
D240,120 S	6/1976	Pasquarette	6,070,910 A	6/2000	Hodges
D241,565 S *	9/1976	Molenaar 446/48	6,085,362 A	7/2000	Huber
3,982,289 A	9/1976	Robbins	6,088,843 A	7/2000	Francisco
4,032,455 A *	6/1977	Kale B01D 29/11	6,108,828 A	8/2000	Cheng
		210/435	6,128,788 A	10/2000	Yamazaki
4,059,289 A	11/1977	Morris et al.	6,138,290 A	10/2000	Lin
4,144,599 A *	3/1979	Cuschera A47K 1/14	6,148,454 A	11/2000	Ball
		4/286	6,154,898 A	12/2000	Ball
4,207,632 A	6/1980	Savell, Jr. et al.	6,173,459 B1	1/2001	Ball
D255,706 S	7/1980	Adam	6,195,819 B1	3/2001	Wang
4,232,407 A	11/1980	Williams	6,226,806 B1	5/2001	Ball
4,257,892 A	3/1981	Boersma	6,247,989 B1 *	6/2001	Neff A63H 33/18
4,310,933 A	1/1982	Stratman			446/46
4,320,540 A	3/1982	Leavens	6,269,495 B1	8/2001	Sondrup
4,329,744 A	5/1982	Cuschera	D448,622 S *	10/2001	Horvat D7/501
4,339,832 A *	7/1982	Cuschera E03C 1/22	6,317,906 B1	11/2001	Ball
		4/286	6,332,632 B1	12/2001	Hodges
4,359,788 A	11/1982	Lion	6,418,570 B1	7/2002	Ball
4,412,361 A	11/1983	Cuschera	6,490,739 B1	12/2002	Lee
4,420,844 A	12/1983	Puckett et al.	6,546,573 B1	4/2003	Ball
4,502,166 A	3/1985	Brown, Sr.	D475,130 S	5/2003	Stout, Jr.
4,505,499 A	3/1985	Uglow	6,631,623 B1	10/2003	Ball
4,571,751 A	2/1986	Barlow	6,637,050 B1	10/2003	Ball
4,574,402 A	3/1986	Brown, Sr.	6,640,358 B2	11/2003	Ball
4,594,740 A	6/1986	Tseronakis	6,675,406 B2	1/2004	Ball
4,655,913 A	4/1987	Boersma	6,675,407 B1	1/2004	Ball
4,683,597 A	8/1987	Taylor et al.	6,681,420 B1	1/2004	Ball
4,692,948 A	9/1987	Martin	6,691,411 B2	2/2004	Ball
4,706,306 A	11/1987	Smith	D488,217 S	4/2004	Stout, Jr.
4,720,877 A	1/1988	Watts	6,719,294 B2	4/2004	Nguyen et al.
4,799,713 A	1/1989	Uglow	6,735,791 B1	5/2004	Lordahl et al.
4,850,617 A	7/1989	Moberly	D494,670 S *	8/2004	Snyder D23/393
4,908,883 A	3/1990	Rivera	6,789,275 B2	9/2004	Spells, Sr. et al.
4,926,507 A	5/1990	Craig et al.	6,795,987 B2	9/2004	Cornwall
			6,799,606 B1	10/2004	Howson
			6,800,024 B1	10/2004	Prevost
			6,880,179 B2	4/2005	Wang
			6,895,838 B2	5/2005	Stahnke
			D509,994 S *	9/2005	Hadland D7/587

(56)

References Cited

U.S. PATENT DOCUMENTS

6,957,452 B2 * 10/2005 Grant E03C 1/18
362/559

7,013,500 B1 3/2006 Lin

7,055,184 B2 6/2006 Humber

7,127,752 B2 10/2006 Ball

D532,684 S 11/2006 Barnes

7,188,376 B2 3/2007 Ortiz et al.

D550,204 S 9/2007 Kaneda

D563,529 S 3/2008 Labonte

D573,235 S 7/2008 Downey

D574,066 S 7/2008 Hanna

7,451,502 B2 11/2008 Ball

D586,780 S 2/2009 Skurdal

7,503,083 B2 3/2009 Ball

D607,437 S 1/2010 Kamo

7,740,197 B1 6/2010 Schulz

7,814,580 B2 10/2010 Coronado et al.

8,011,030 B2 9/2011 Li

D658,451 S 5/2012 Jost

D670,794 S 11/2012 Antonello

8,307,469 B1 11/2012 Cohen

8,336,132 B2 * 12/2012 Ball E03C 1/2304
4/683

8,347,906 B1 1/2013 Ismert et al.

1,860,737 A1 12/2013 Ball

8,607,376 B2 * 12/2013 Ball E03C 1/22
285/332.2

D698,739 S * 2/2014 Kleinschmidt D13/177

D699,819 S 2/2014 Tung

8,813,272 B2 8/2014 Ball

8,925,123 B2 1/2015 DeGooyer et al.

9,015,870 B2 4/2015 Ball

9,015,876 B2 4/2015 Ball

D733,263 S 6/2015 Fujii et al.

D746,955 S 1/2016 Corder

9,234,337 B2 1/2016 Bat et al.

D756,715 S * 5/2016 Ricciardi D7/587

D761,398 S 7/2016 Murphy

9,394,678 B1 7/2016 Macyko

9,453,329 B2 * 9/2016 Ball E03C 1/262

D769,202 S * 10/2016 Jung D14/125

D770,415 S 11/2016 Pellisari

D773,331 S 12/2016 Wang

D783,167 S * 4/2017 Falkenberg D24/155

D787,023 S 5/2017 Ball

D787,024 S * 5/2017 Ball E03C 1/262
D23/259

D792,743 S 7/2017 Joseph

D792,745 S * 7/2017 Wu D7/587

D822,004 S 7/2018 Tan

2002/0023294 A1 2/2002 Spells, Sr.

2002/0112285 A1 8/2002 Minnick

2003/0025275 A1 2/2003 Miller

2003/0182721 A1 10/2003 Li

2004/0117907 A1 6/2004 Ball

2004/0163165 A1 8/2004 Ortiz et al.

2005/0035558 A1 2/2005 Dipzinski et al.

2005/0050023 A1 3/2005 Greene

2005/0108814 A1 5/2005 Thompson

2005/0204462 A1 9/2005 Cotton et al.

2006/0170208 A1 8/2006 Arning et al.

2006/0207003 A1 9/2006 Harmes

2006/0283792 A1 12/2006 McCallum

2007/0039098 A1 2/2007 Ball

2007/0044231 A1 3/2007 Ball

2008/0047060 A1 2/2008 Ball

2008/0072387 A1 3/2008 Dombrowski

2008/0098504 A1 5/2008 Knox et al.

2008/0098517 A1 5/2008 Ball

2008/0148469 A1 6/2008 Dipzinski et al.

2008/0196161 A1 8/2008 Ball

2009/0119826 A1 5/2009 Coronado

2009/0172870 A1 7/2009 Hong

2009/0172877 A1 7/2009 Ball

2010/0037392 A1 2/2010 Ball et al.

2010/0269913 A1 * 10/2010 Hollinger E03C 1/298
137/215

2011/0035867 A1 2/2011 Coronado et al.

2011/0173747 A1 7/2011 Evans et al.

2011/0289667 A1 12/2011 Oropallo et al.

2012/0048070 A1 3/2012 Richter

2012/0090084 A1 * 4/2012 Ball E03C 1/262
4/286

2012/0110722 A1 5/2012 Abbondanzio et al.

2012/0199215 A1 8/2012 Cohen

2013/0055494 A1 * 3/2013 Ball E03C 1/22
4/292

2013/0067648 A1 3/2013 Whitehead

2013/0193042 A1 8/2013 Hull

2013/0220455 A1 * 8/2013 Lin E03F 5/0407
137/511

2013/0269100 A1 * 10/2013 Ball E03C 1/23
4/693

2014/0138297 A1 5/2014 Hull

2014/0259386 A1 9/2014 Antonello

2014/0263002 A1 * 9/2014 Antonello E03F 5/0407
210/163

2014/0325748 A1 * 11/2014 Ball E03C 1/262
4/287

2015/0074891 A1 * 3/2015 Ychie E03C 1/264
4/292

2017/0009439 A1 1/2017 Ball

2018/0363280 A1 12/2018 Ball

FOREIGN PATENT DOCUMENTS

DE	1784266	10/1971
DE	3621715	1/1988
DE	9200488	3/1992
DE	4206903	9/1993
DE	20118252	3/2003
GB	1216285	12/1970
JP	S53-58752	5/1978
JP	H05-15887	3/1993
JP	H05-88393	12/1993
JP	H09-108130	4/1997
JP	2000-513421	10/2000
JP	2003-313913	11/2003
WO	WO 99/54560	10/1999
WO	WO 02/063109	8/2002
WO	WO 2004/074587	9/2004
WO	WO 2009/063334	5/2009
WO	WO 2013/112560	8/2013

OTHER PUBLICATIONS

U.S. Appl. No. 29/561,022, filed Apr. 12, 2016, Ball.

U.S. Appl. No. 29/599,494, filed Apr. 4, 2017, Ball.

U.S. Appl. No. 29/599,496, filed Apr. 4, 2017, Ball.

“OATEYSCS Supply Chain Services Catalog,” Oatey Co., 2012, 334 pages.

“Press-IN” Trim Kit, AB&A™ IPS Corporation (date unknown) 2 pages.

“Push N’ Repair Closet Flange,” IPS Corporation, 2011, [retrieved Sep. 6, 2014], 1 page. Retrieved from: <http://web.archive.org/web/20111013024522/http://ipscorp.com/watertite/closetflanges/pushnrepair>.

Complaint for Delatory Relief (with Exhibits 1-7), *IPS Corporation v. WCM Industries, Inc.*, United States District Court for the Western District of Tennessee. Case No. 2:12-cv-02694, filed Aug. 9, 2012, 58 pages.

Defendant WCM Industries, Inc’s Answer to Complaint, Affirmative Defenses and Counterclaims Against IPS Corporation, *IPS Corporation v. WCM Industries, Inc.*, United States District Court for the Western District of Tennessee, Case No. 2:12-cv-02694-JPM-tmp, filed Apr. 12, 2013, 10 pages.

Plaintiff IPS Corporation’s Answer to Defendant WCM Industries, Inc’s Counterclaims, *IPS Corporation v. WCM Industries, Inc.*, United States District Court for the Western District of Tennessee, Case No. 2:12-cv-02694-JPM-tmp, filed May 3, 2013, 5 pages.

(56)

References Cited

OTHER PUBLICATIONS

IPS Corporation's Initial Non-Infringement Contentions (with Exhibit A), *IPS Corporation v. WCM Industries, Inc.*, United States District Court for the Western District of Tennessee, Case No. 2:12-cv-02694-JPM-dkv, dated Jun. 7, 2013, 5 pages.

Plaintiff IPS's Initial Invalidity Contentions (with Exhibits A and B), *IPS Corporation v. WCM Industries, Inc.*, United States District Court for the Western District of Tennessee, Case No. 2:12-cv-02694-JPM-dkv, dated Aug. 6, 2013, 78 pages.

Examination and Search Report for United Kingdom Patent Application No. GB1118043.7, dated Oct. 31, 2011 6 pages.

Examiner's Report for Canadian Application No. 2,556,523, dated Feb. 16, 2009.

Official Action for Mexican Patent Application No. MX/a/2012/002782 dated Jun. 3, 2014, 4 pages.

Official Action (with partial English summary) for Mexican Patent Application No. MX/a/2012/002782 dated Dec. 1, 2014, 3 pages.

Official Action for U.S. Appl. No. 13/274,804 dated Dec. 24, 2013, 10 pages.

Notice of Allowance for U.S. Appl. No. 13/274,804 dated Apr. 23, 2014, 6 pages.

Official Action for U.S. Appl. No. 14/332,148 dated Apr. 5, 2016, 6 pages.

Notice of Allowance for U.S. Appl. No. 14/332,148 dated Aug. 4, 2016, 7 pages.

Notice of Allowance for U.S. Appl. No. 29/561,020 dated Feb. 15, 2017, 8 pages.

Notice of Allowance for U.S. Appl. No. 29/561,022 dated Feb. 17, 2017, 8 pages.

Official Action for U.S. Appl. No. 13/912,421, dated Jun. 18, 2015 9 pages.

Official Action for U.S. Appl. No. 11/161,933, dated Jun. 23, 2008, 6 pages.

Notice of Allowance for U.S. Appl. No. 11/161,933, dated Jan. 29, 2009, 6 pages.

Official Action for U.S. Appl. No. 12/405,956, dated Oct. 14, 2010, 8 pages.

Official Action for U.S. Appl. No. 13/041,929 dated Dec. 18, 2013, 6 pages.

Official Action for U.S. Appl. No. 13/041,929 dated May 8, 2014, 12 pages.

Notice of Allowance for U.S. Appl. No. 13/041,929 dated Feb. 11, 2015, 7 pages.

Official Action for U.S. Appl. No. 13/669,417 dated Mar. 1, 2013, 7 pages.

Notice of Allowance for U.S. Appl. No. 13/669,417 dated Sep. 27, 2013, 9 pages.

Official Action for U.S. Appl. No. 14/109,503 dated Aug. 18, 2014, 6 pages.

Final Action for U.S. Appl. No. 14/109,503, dated Dec. 29, 2014, 10 pages.

Notice of Allowance for U.S. Appl. No. 14/109,503, dated Mar. 11, 2015 8 pages.

U.S. Appl. No. 15/276,384, Office Action dated Mar. 15, 2018, 6 pages.

U.S. Appl. No. 15/276,384, Office Action dated Dec. 12, 2017, 7 pages.

U.S. Appl. No. 29/599,494, Office Action dated Feb. 22, 2018, 9 pages.

U.S. Appl. No. 13/912,421, Notice of Allowance dated Oct. 1, 2015, 6 pages.

U.S. Appl. No. 13/041,929, Notice of Allowance dated Mar. 11, 2015, 4 pages.

U.S. Appl. No. 13/041,929, Notice of Allowance dated Mar. 31, 2015, 4 pages.

U.S. Appl. No. 13/669,417, Notice of Allowance dated Nov. 15, 2013, 5 pages.

U.S. Appl. No. 29/599,494, Office Action dated Aug. 31, 2018, 7 pages.

Shower Strainee, 20 second mark of Youtube Video, Youtube, at Frame 0:20 of 0:43, <https://www.youtube.com/watch?v=K4HHOX4kW8c>, Published Feb. 9, 2011, [Visited Online Aug. 26, 2018] (Year: 2011), 2 pages.

Danco Strainer, https://www.amazon.com/Clip-Style-Shower-Strainer-Chrome-88923/dp/B000FK9SN0/ref=pd_sbs_60_40?encoding=UTF8&pd_rd_i=B000FK9SN0&pd_rd_r=0b662d83-a97a-11e8-ab28-01ad97aa66bb&pd_rd_w=sDEZf&pd_rd_wg=MGP2j&pf_rd_i=desktop-dp-sims&pf_rd_m=ATVPDKIKX0DER&pf_rd_p=0bb14103-7f67-4c21-9b0b-31f42dc047e7&pf_rd_r=J13BTFGDN2E1H3G416Q4&pf_rd_s=desktop-dp-sims&pf_rd_t=40701&psc=1&refRID=J13BTFGDN2E1H3G416Q4, (Year: 2006), 8 pages.

Moën, 101663BNMOENF Kingsley 4- 1/4—Inch Snap—In Shower Drain Cover, https://www.amazon.com/dp/B00083QIL4/ref=psdc_6808091011_t5_B001DU58LW?th=1, Date First Available Apr. 4, 2008, [Visited Online Aug. 26, 2018], (Year: 2008), 9 pages.

U.S. Appl. No. 15/276,384, Notice of Allowance dated Oct. 1, 2018, 9 pages.

U.S. Appl. No. 15/276,384, Notice of Allowance dated May 21, 2018, 6 pages.

* cited by examiner

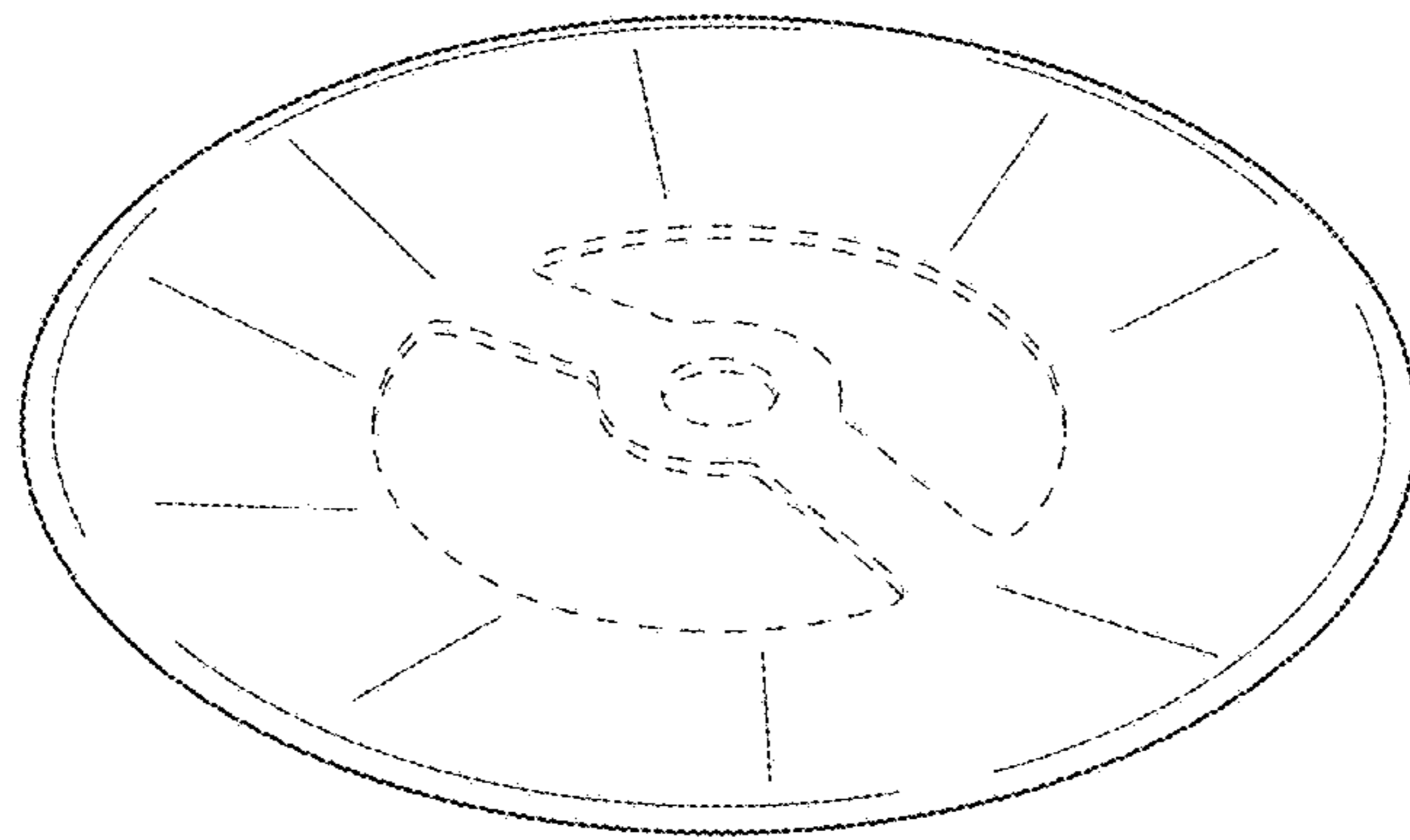


FIG. 1

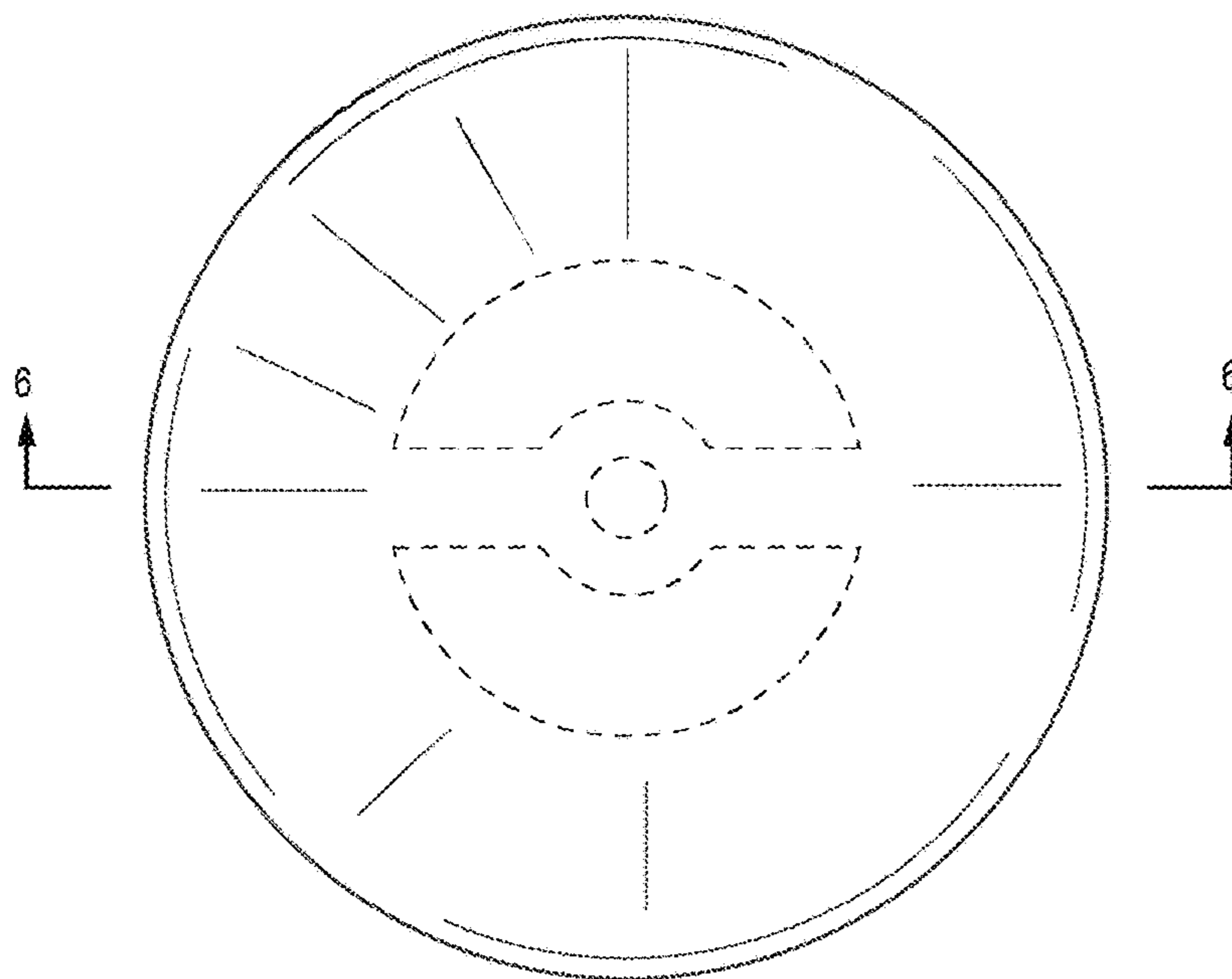


FIG. 2

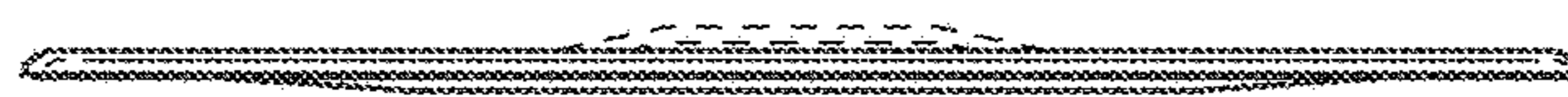


FIG. 3

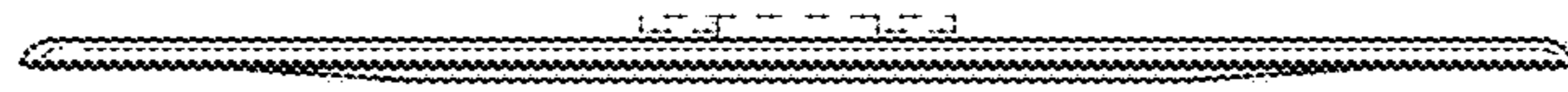


FIG.4

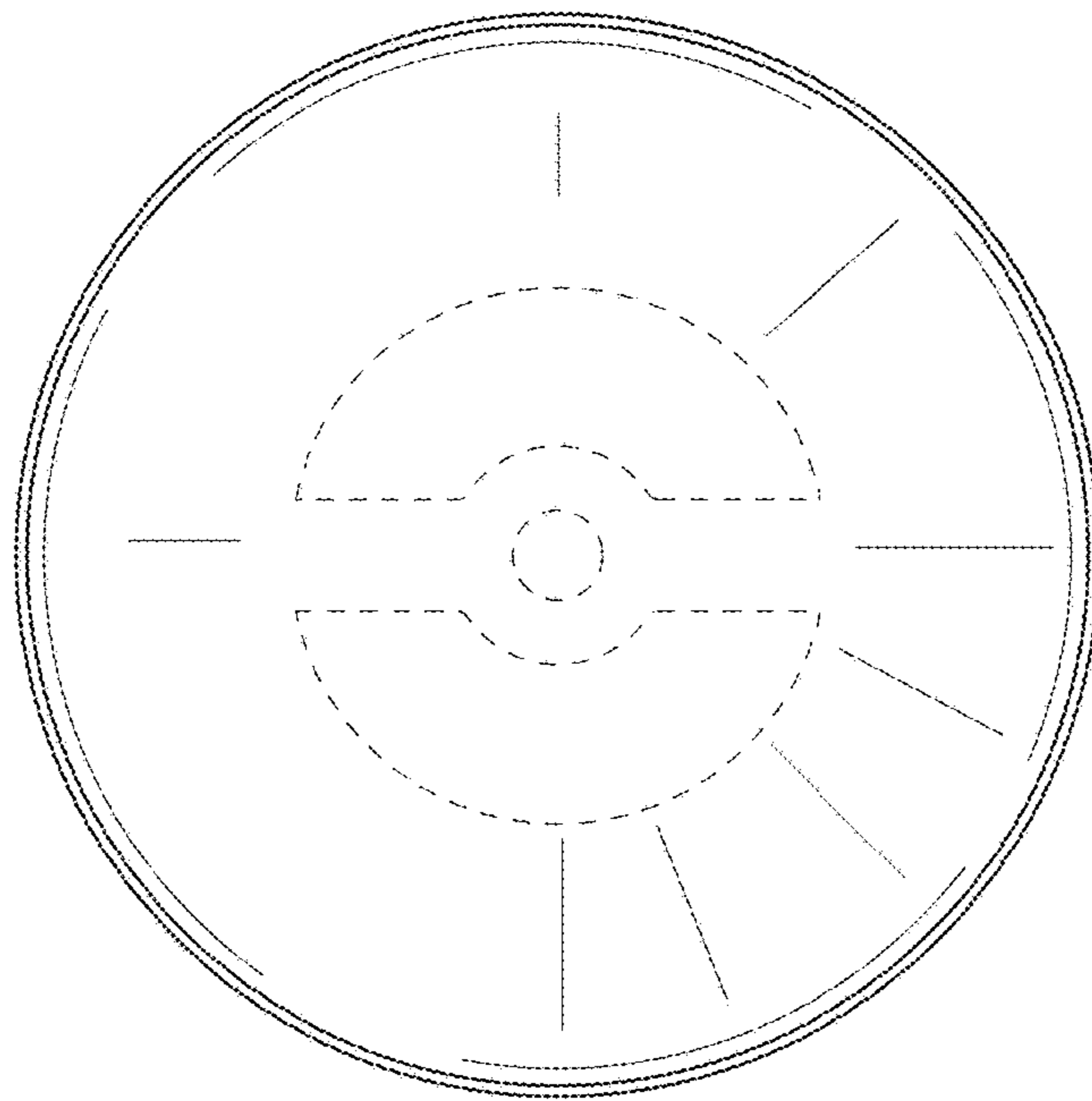


FIG.5

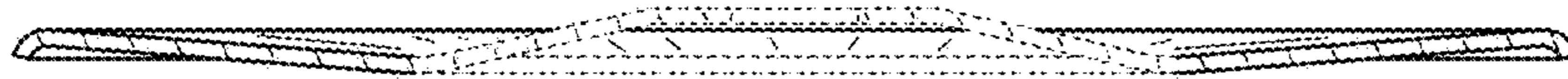


FIG.6