



US00D844751S

(12) **United States Design Patent**  
**Yamada et al.**

(10) **Patent No.:** **US D844,751 S**

(45) **Date of Patent:** **\*\* Apr. 2, 2019**

(54) **FLOW CONTROL VALVE**

(71) Applicant: **SMC Corporation**, Chiyoda-ku (JP)

(72) Inventors: **Hirosuke Yamada**, Tsukubamirai (JP);  
**Naoyuki Suga**, Kawaguchi (JP); **Akiho Nishimura**, Moriya (JP); **Masahiko Yoshiwara**, Toride (JP)

(73) Assignee: **SMC CORPORATION**, Chiyoda-ku (JP)

(\*\*) Term: **15 Years**

(21) Appl. No.: **29/635,967**

(22) Filed: **Feb. 5, 2018**

(30) **Foreign Application Priority Data**

Aug. 22, 2017 (JP) ..... 2017-017944

(51) **LOC (11) Cl.** ..... **23-01**

(52) **U.S. Cl.**  
USPC ..... **D23/235**

(58) **Field of Classification Search**

USPC ..... D23/233-237, 241-249; 137/100, 14, 2,  
137/505.11, 625.27, 625.4, 315.18, 486,  
137/487.5, 599.05, 601.14, 554, 630.12,  
137/398, 545, 547, 549, 505, 505.42,  
137/116.3; 251/285, 129.15, 129.01, 250,  
251/309; D10/85

CPC ..... F16K 3/085; F16K 47/08  
See application file for complete search history.

(56) **References Cited**

**U.S. PATENT DOCUMENTS**

D416,076 S \* 11/1999 Okitsu ..... D23/235  
D623,271 S \* 9/2010 Yamada ..... D23/233

D640,153 S \* 6/2011 Okitsu ..... D10/85  
D640,154 S \* 6/2011 Okitsu ..... D10/85  
D736,896 S \* 8/2015 Nishimura ..... D23/233  
D753,268 S \* 4/2016 Nishimura ..... D23/233  
D754,293 S \* 4/2016 Mangold ..... D23/233  
D758,540 S \* 6/2016 Shishido ..... D23/233  
D760,352 S \* 6/2016 Mangold ..... D23/233  
D762,819 S \* 8/2016 Shishido ..... D23/235  
2011/0233437 A1 \* 9/2011 Mattson ..... F16K 5/0478  
251/309

\* cited by examiner

*Primary Examiner* — Cynthia Ramirez

*Assistant Examiner* — Gino Colan

(74) *Attorney, Agent, or Firm* — Oblon, McClelland,  
Maier & Neustadt, L.L.P.

(57) **CLAIM**

The ornamental design for a flow control valve, as shown and described.

**DESCRIPTION**

FIG. 1 is a front, top, and right side perspective view of a flow control valve;

FIG. 2 is a front, bottom, and left side perspective view thereof;

FIG. 3 is a front elevational view thereof;

FIG. 4 is a rear elevational view thereof;

FIG. 5 is a top plan view thereof;

FIG. 6 is a bottom plan view thereof;

FIG. 7 is a left side elevational view thereof; and,

FIG. 8 is a right side elevational view thereof.

The broken lines in the drawings illustrate portions of the flow control valve that form no part of the claimed design.

**1 Claim, 4 Drawing Sheets**

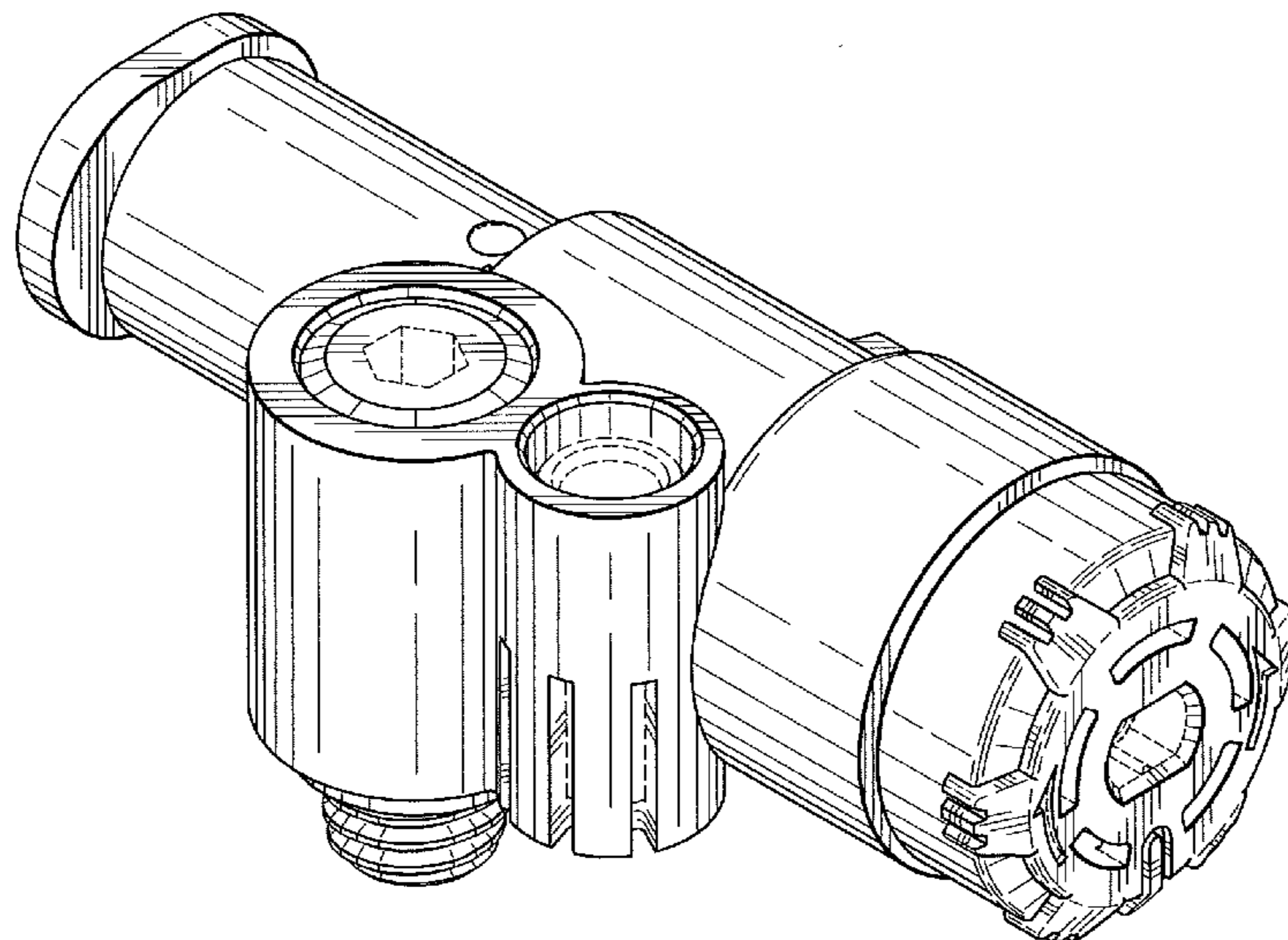


FIG. 1

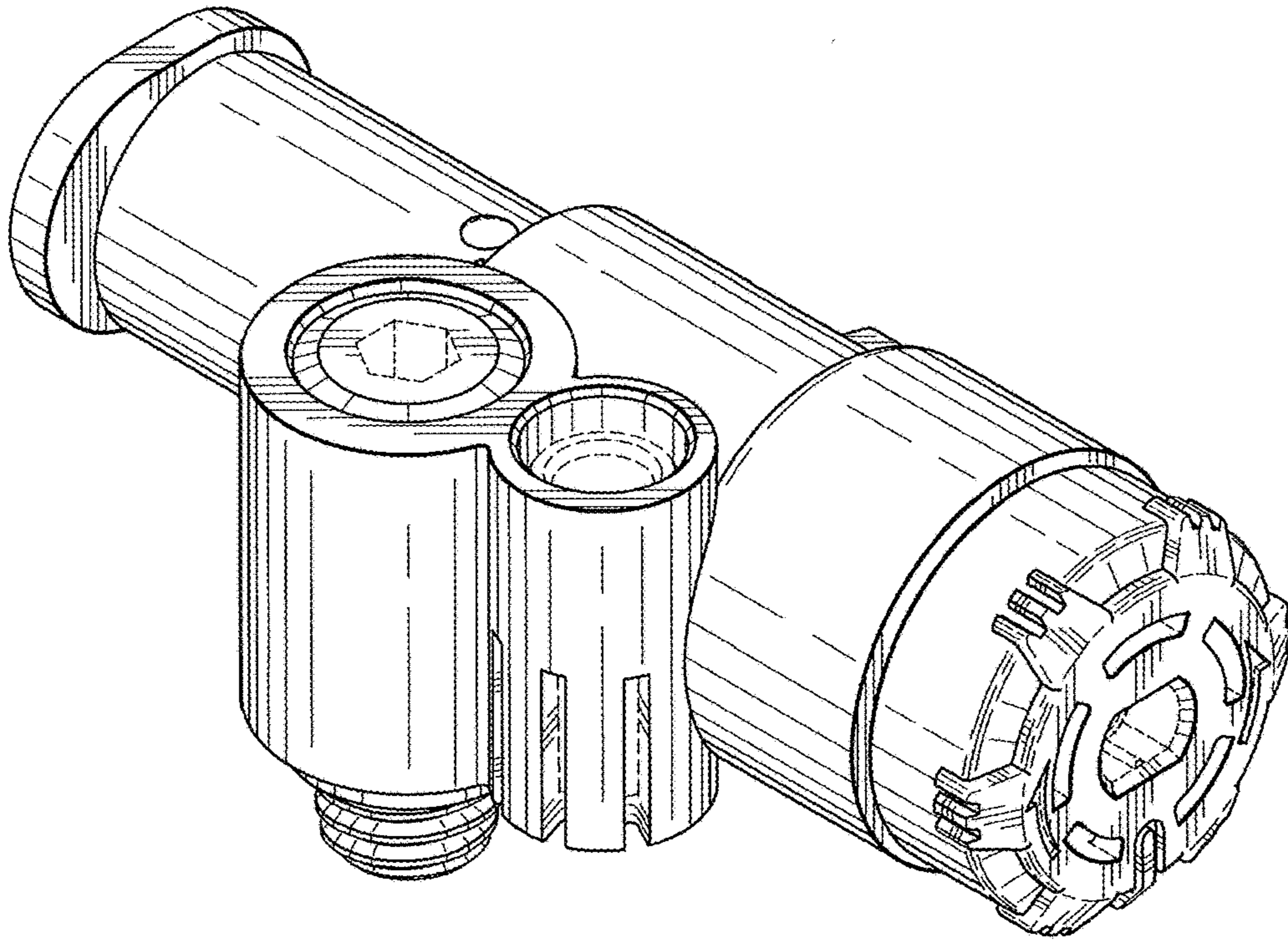


FIG. 2

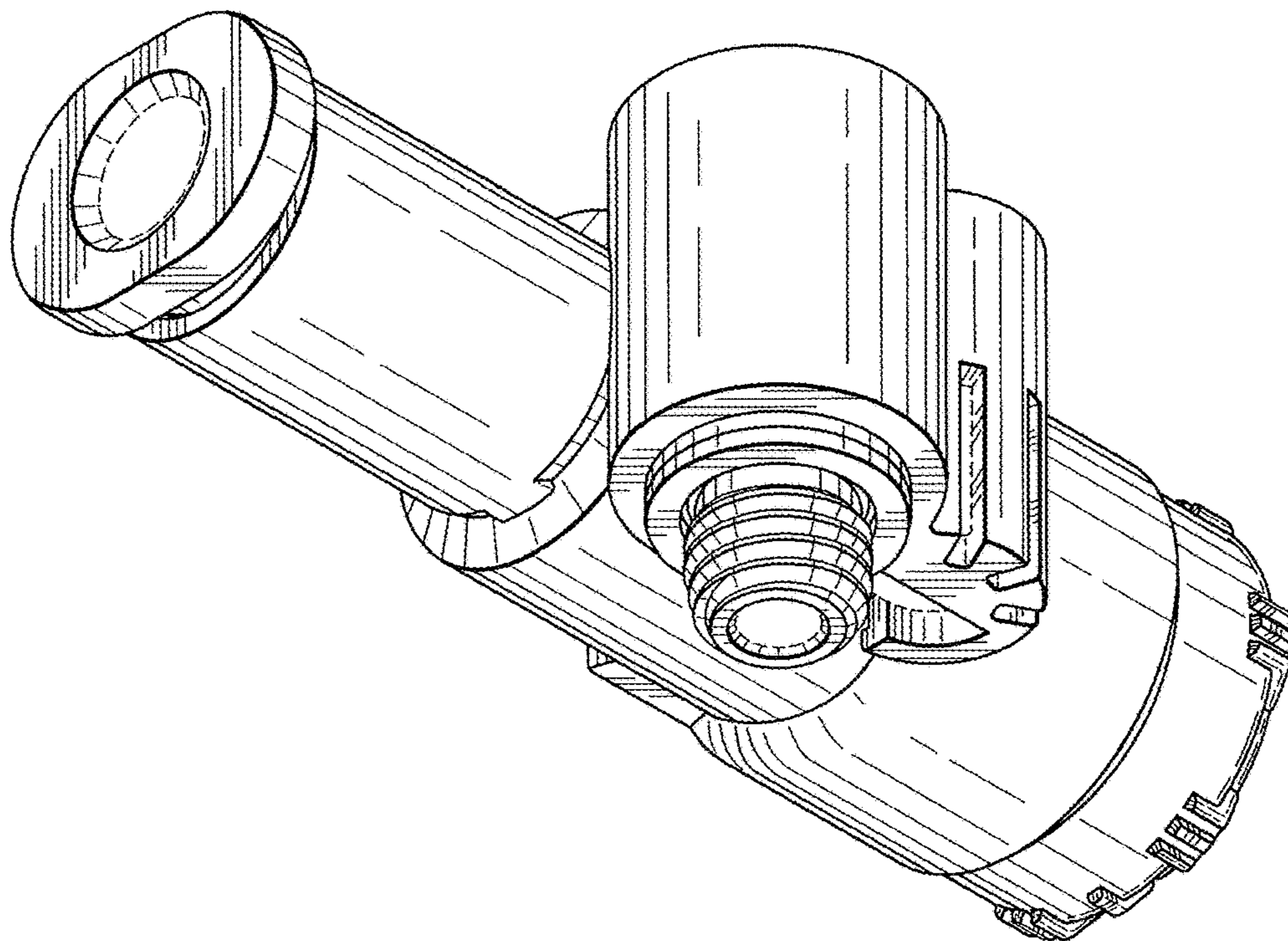


FIG. 3

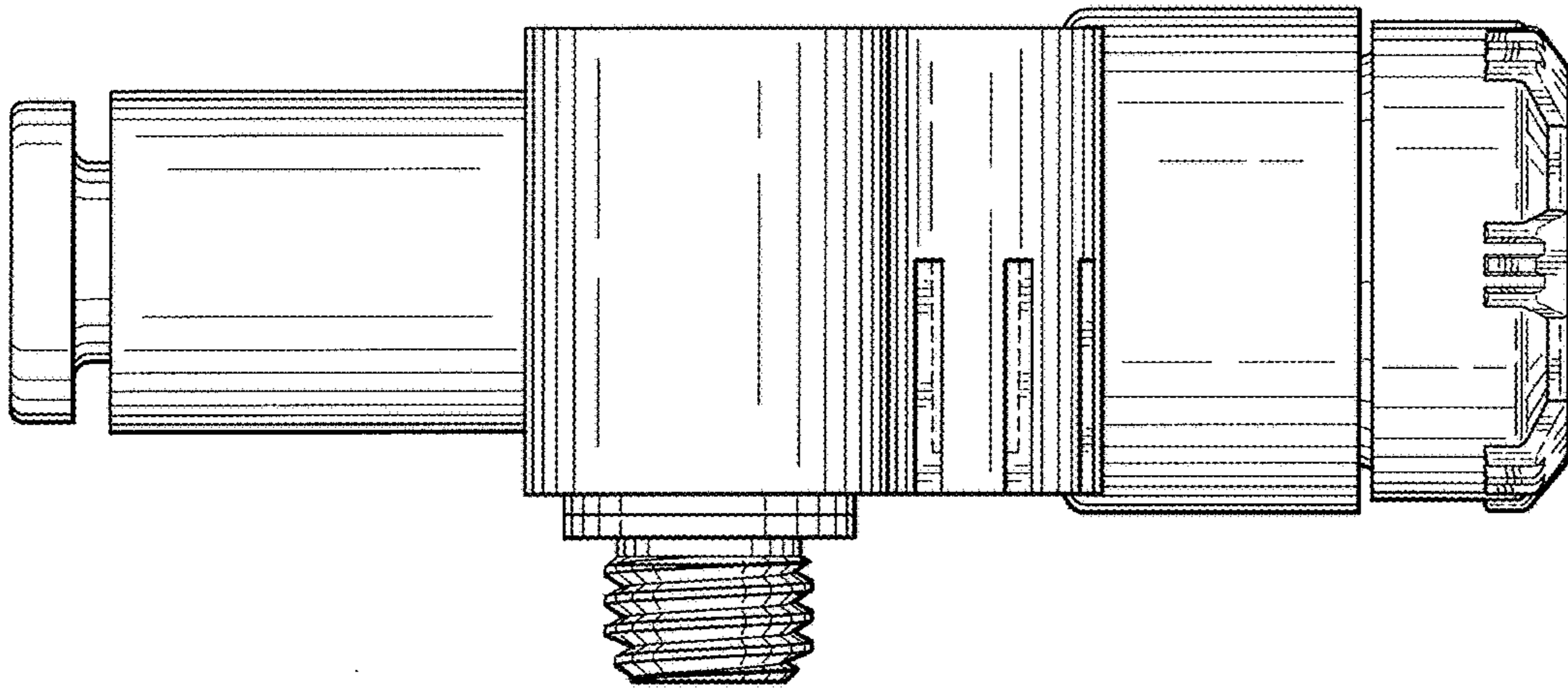


FIG. 4

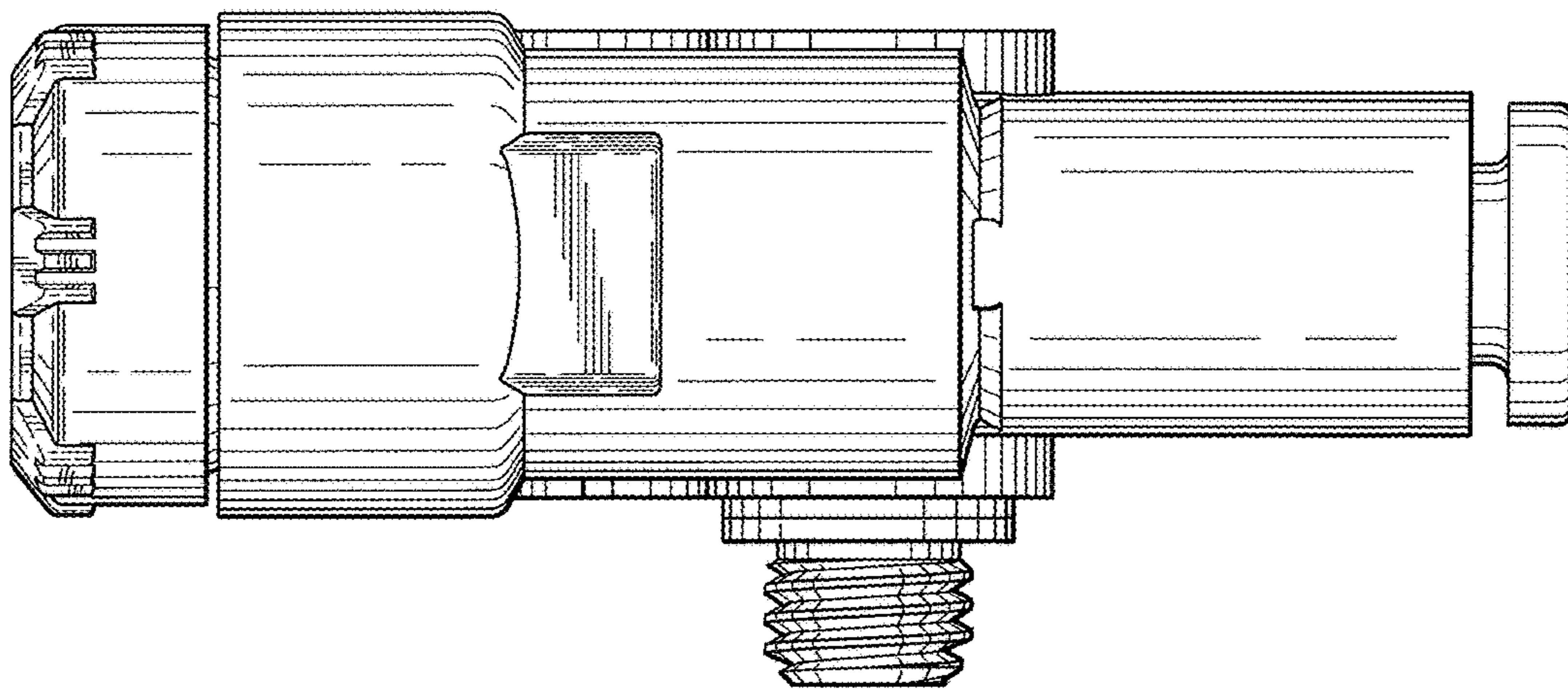


FIG. 5

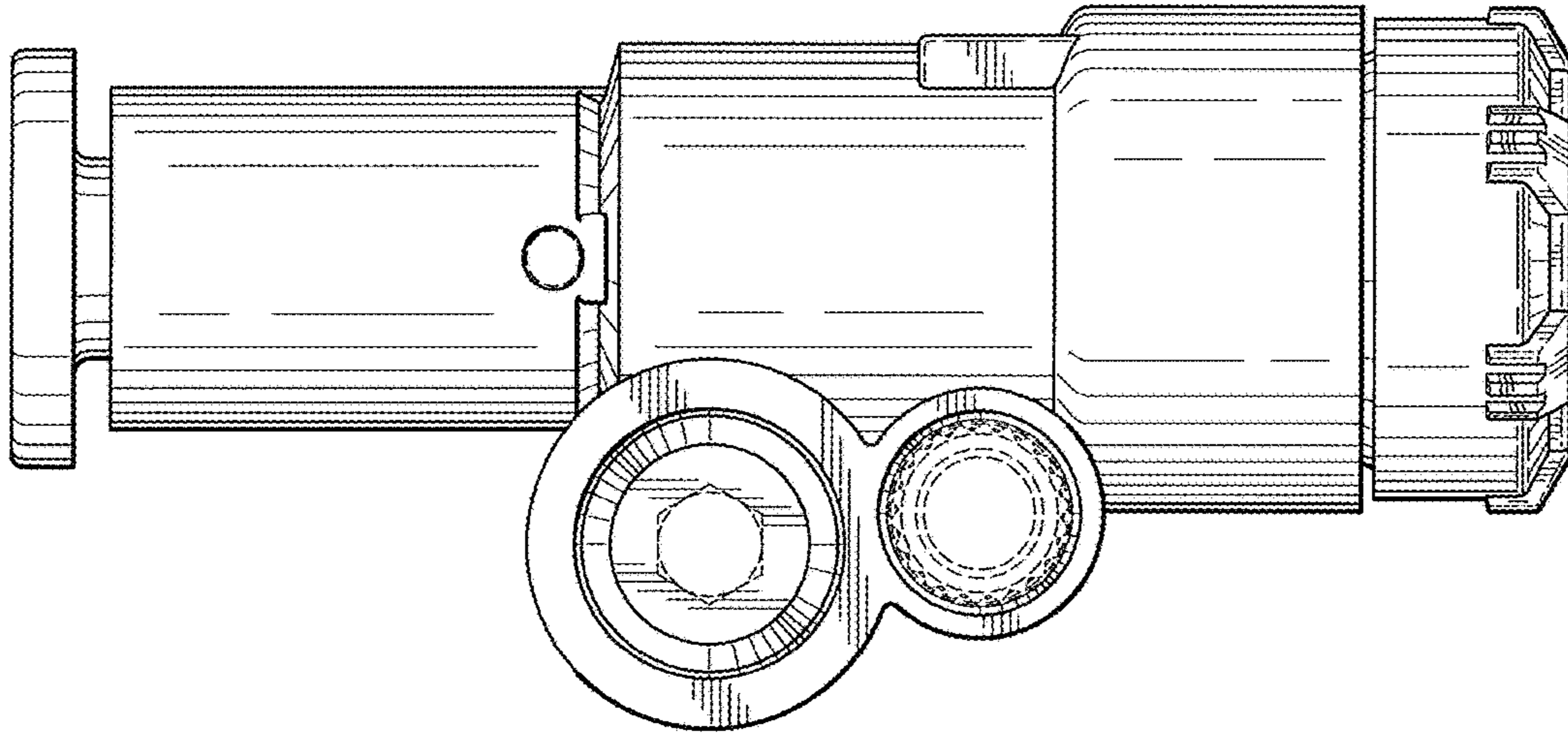


FIG. 6

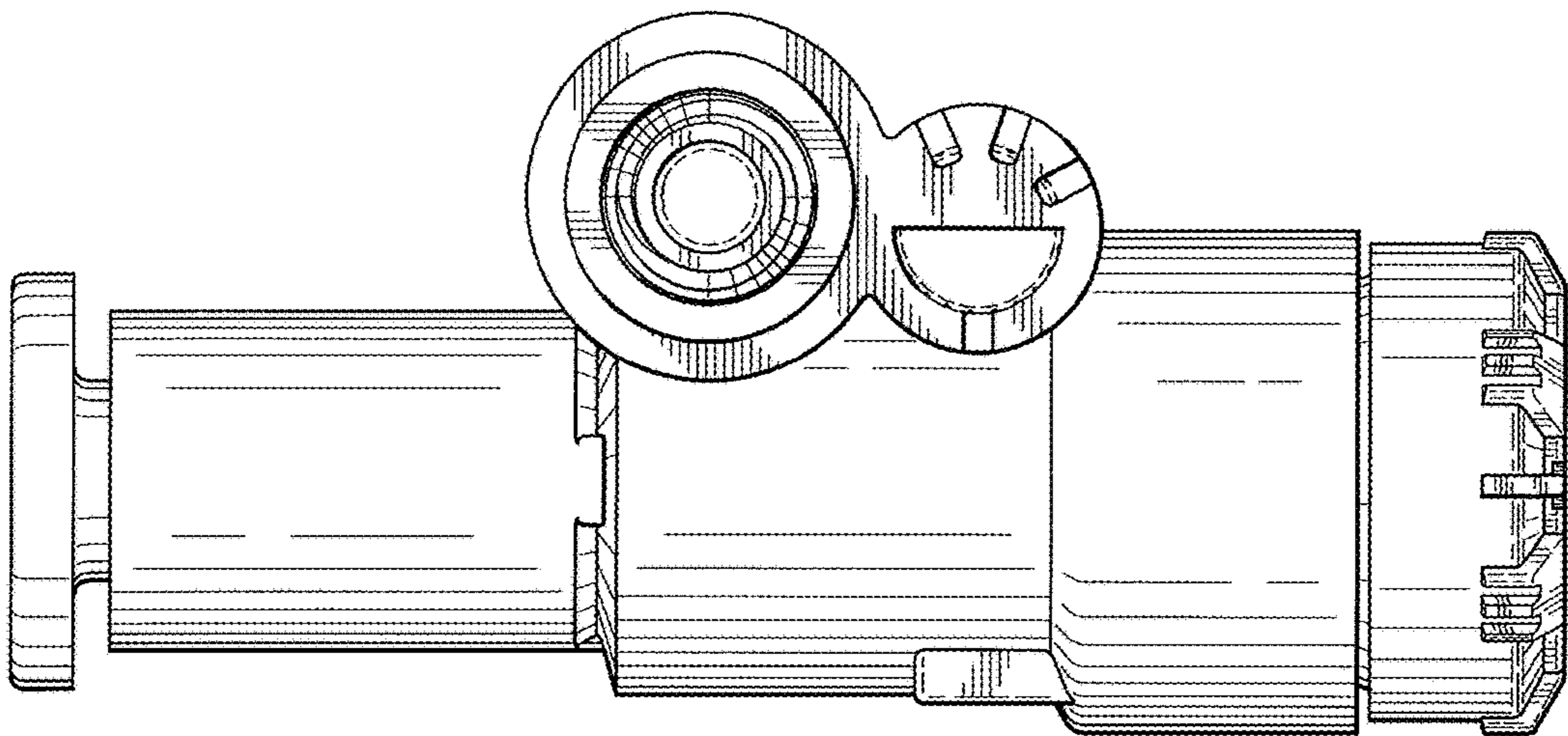


FIG. 7

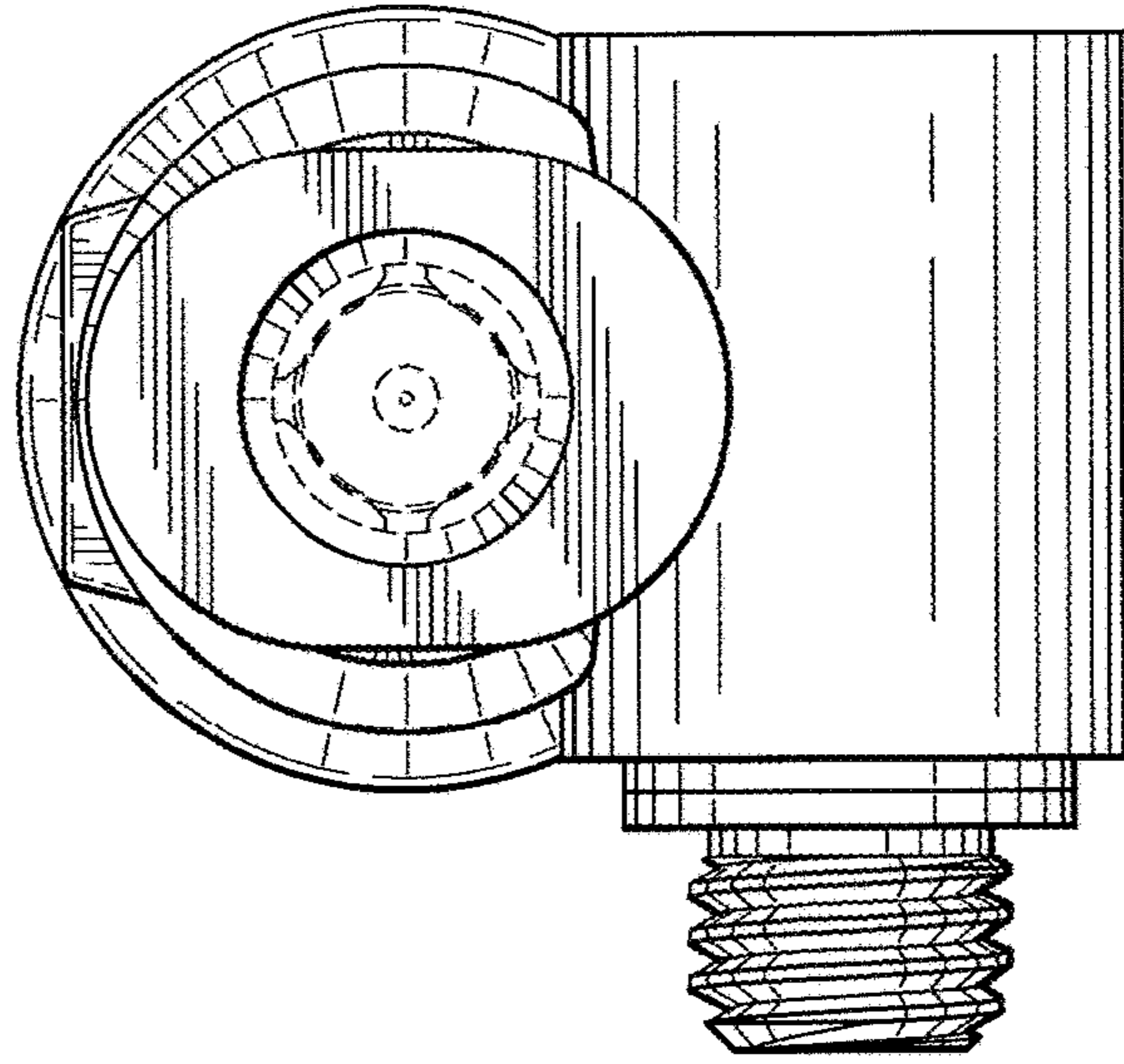


FIG. 8

