



US00D844750S

(12) **United States Design Patent**
Wilson

(10) **Patent No.:** **US D844,750 S**

(45) **Date of Patent:** **** Apr. 2, 2019**

(54) **THREE PORT VALVE**
(71) Applicant: **SLOAN VALVE COMPANY**, Franklin Park, IL (US)
(72) Inventor: **John R. Wilson**, Naperville, IL (US)
(73) Assignee: **SLOAN VALVE COMPANY**, Franklin Park, IL (US)

(**) Term: **15 Years**

(21) Appl. No.: **29/601,300**

(22) Filed: **Apr. 20, 2017**

(51) **LOC (11) Cl.** **23-01**

(52) **U.S. Cl.**
USPC **D23/233**

(58) **Field of Classification Search**
USPC D23/233-250; 137/118.04, 498, 516.11, 137/597, 602, 533.11, 625.46, 270, 887, 137/876, 599.11, 10, 12, 15.18, 625.47; 251/309
CPC F16K 11/087; F16K 11/02; F16K 11/0873
See application file for complete search history.

(56) **References Cited**

U.S. PATENT DOCUMENTS

6,253,791 B1 * 7/2001 Miklo F16K 11/0873
137/625.47
D470,222 S * 2/2003 Nortier D23/233

D520,111 S * 5/2006 Cheng D23/233
D541,379 S * 4/2007 Nortier D23/233
D568,965 S * 5/2008 Johnson D23/233
D569,947 S * 5/2008 Johnson D23/233
D750,744 S * 3/2016 Liljeqvist D23/233
D809,110 S * 1/2018 Nahum D23/259
2011/0233437 A1 * 9/2011 Mattson F16K 5/0478
251/309

* cited by examiner

Primary Examiner — Cynthia Ramirez

Assistant Examiner — Gino Colan

(74) *Attorney, Agent, or Firm* — Foley & Lardner LLP

(57) **CLAIM**

I claim the ornamental design for a three port valve, as shown and described.

DESCRIPTION

FIG. 1 is a perspective view of a three port valve showing my new design;

FIG. 2 is a rear elevational view thereof;

FIG. 3 is a front elevational view thereof;

FIG. 4 is a right side elevational view thereof;

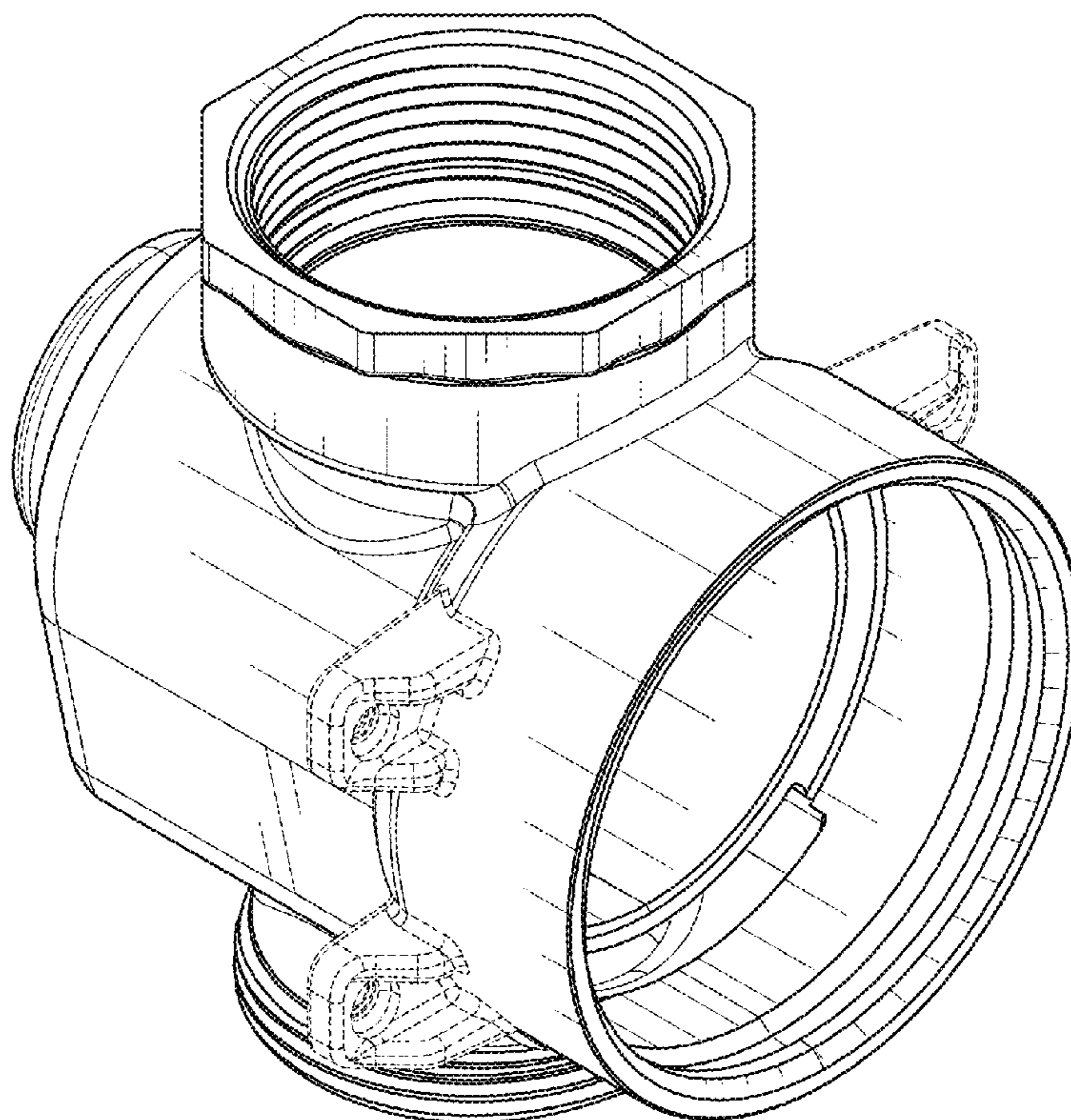
FIG. 5 is a left side elevational view thereof;

FIG. 6 is a top plan view thereof; and,

FIG. 7 is a bottom plan view thereof.

The broken lines shown in the drawings are for the purpose of illustrating portions of the three port valve that form no part of the claimed design.

1 Claim, 7 Drawing Sheets



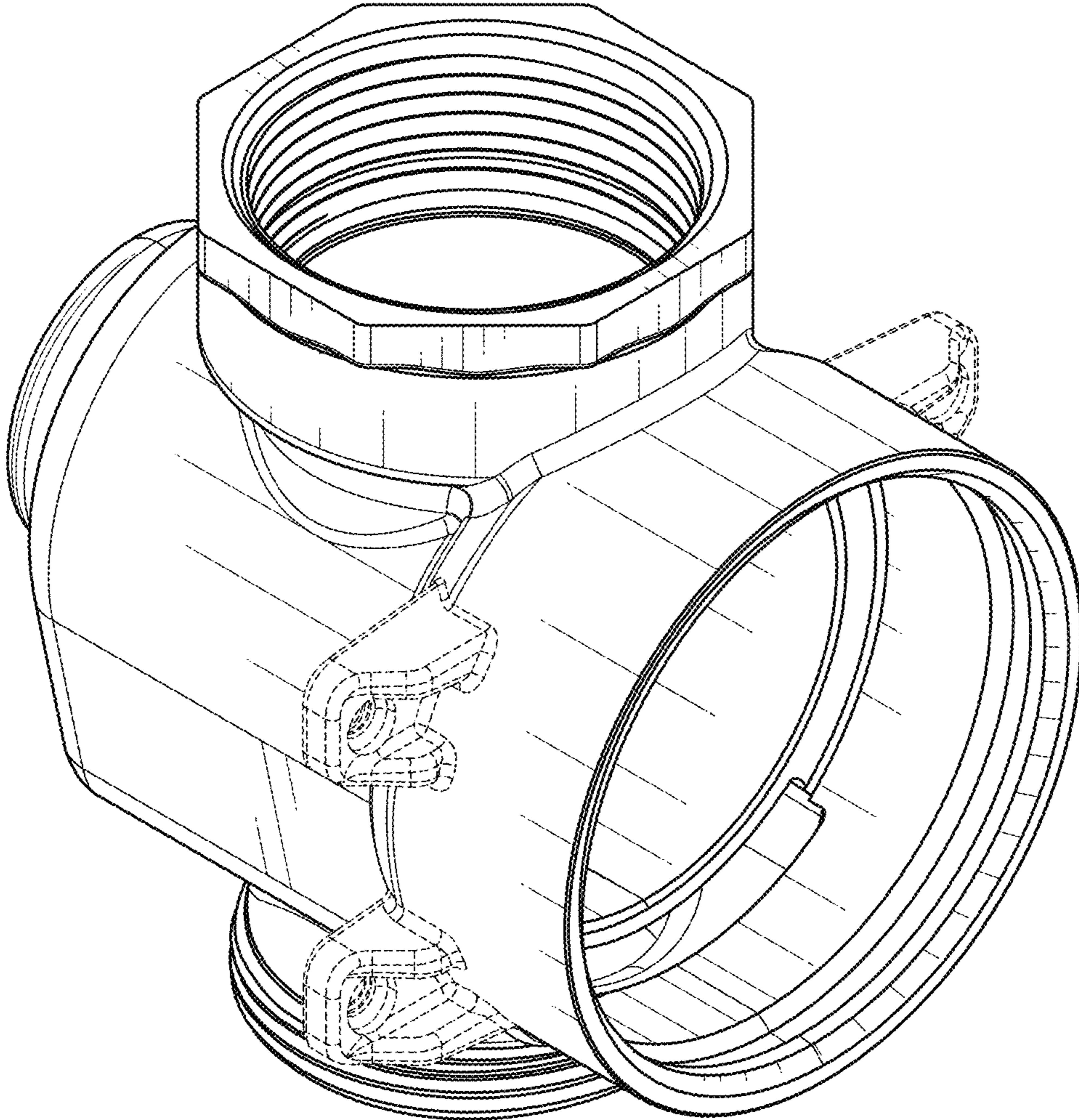


FIG. 1

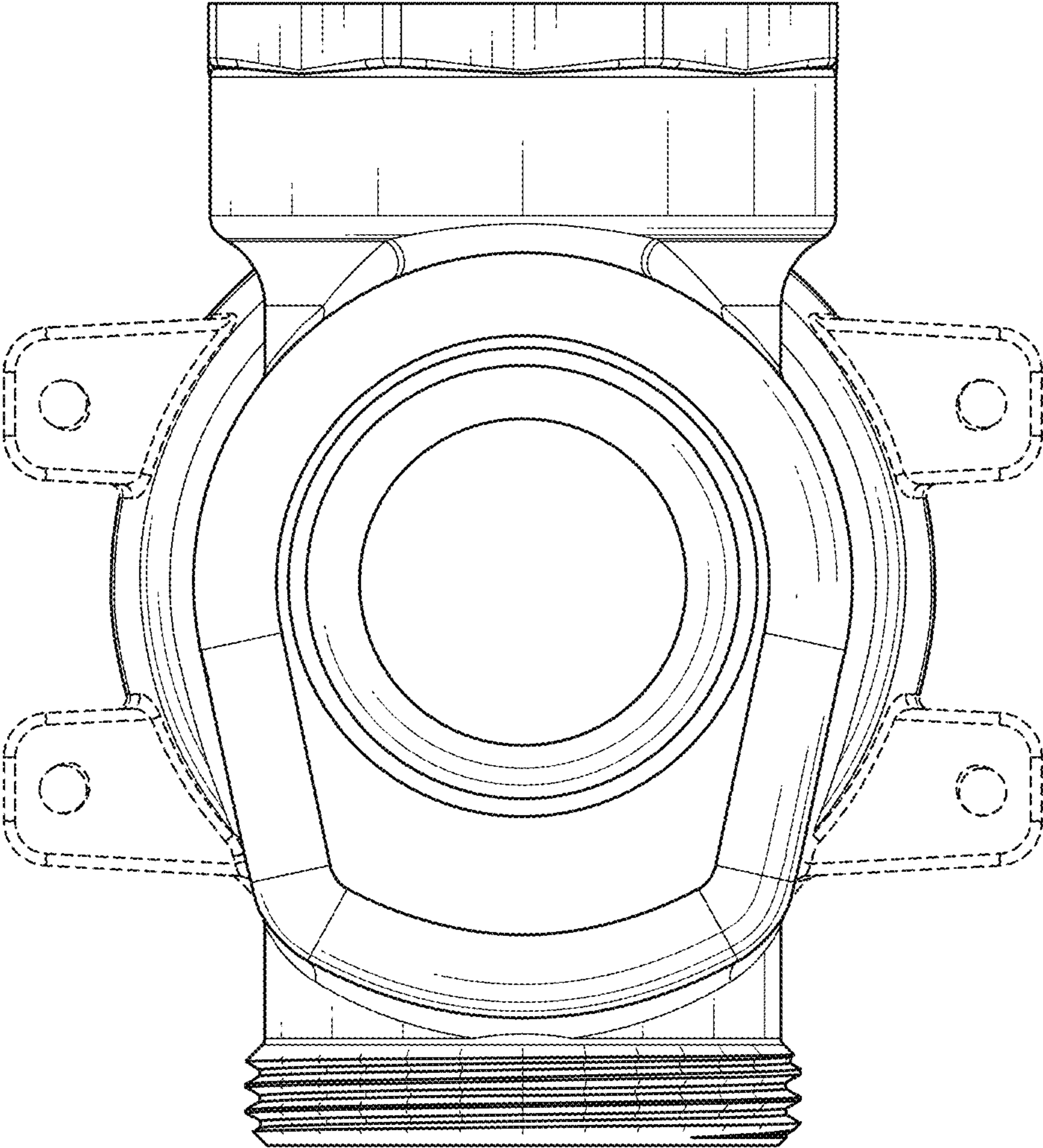


FIG. 2

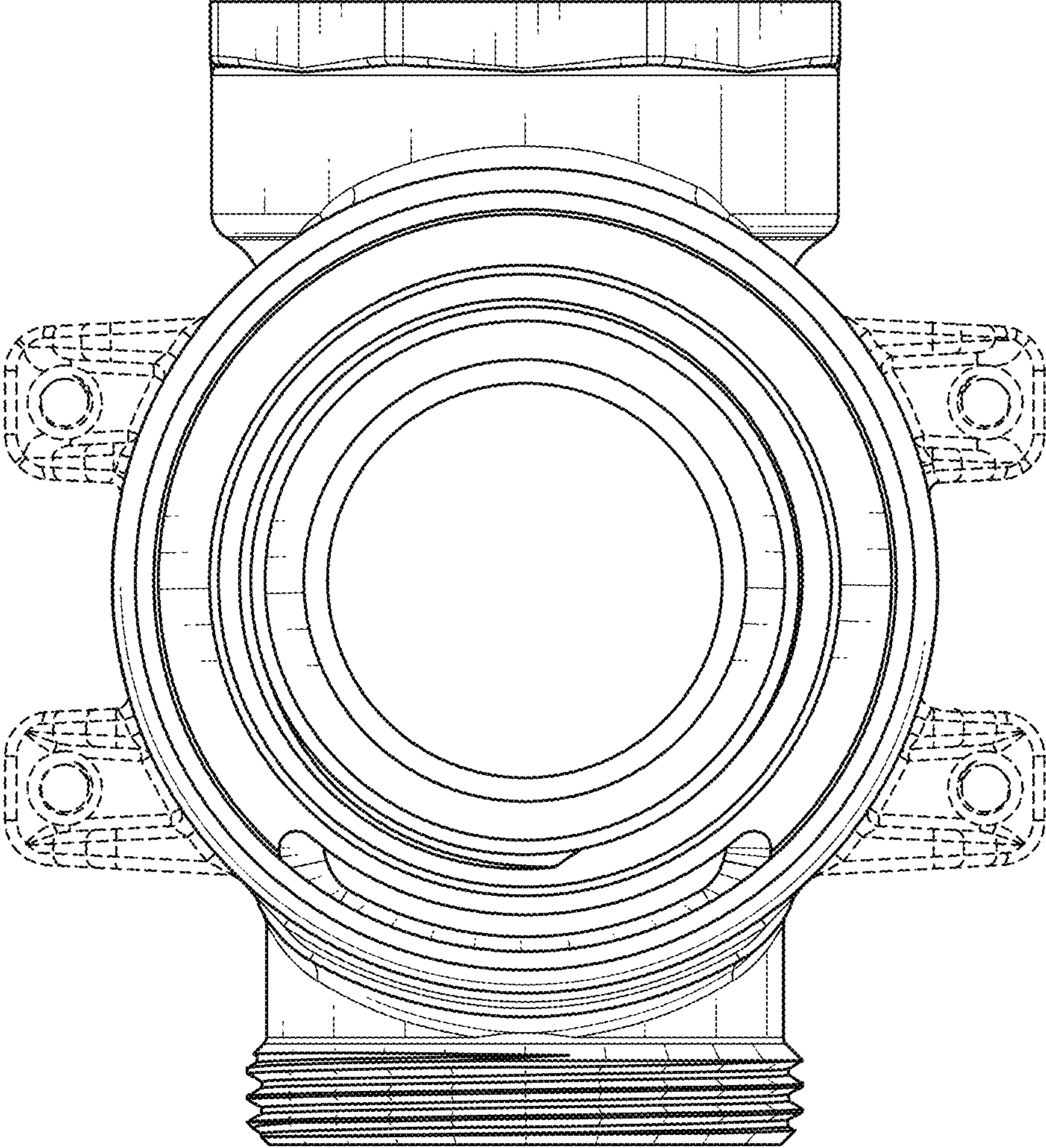


FIG. 3

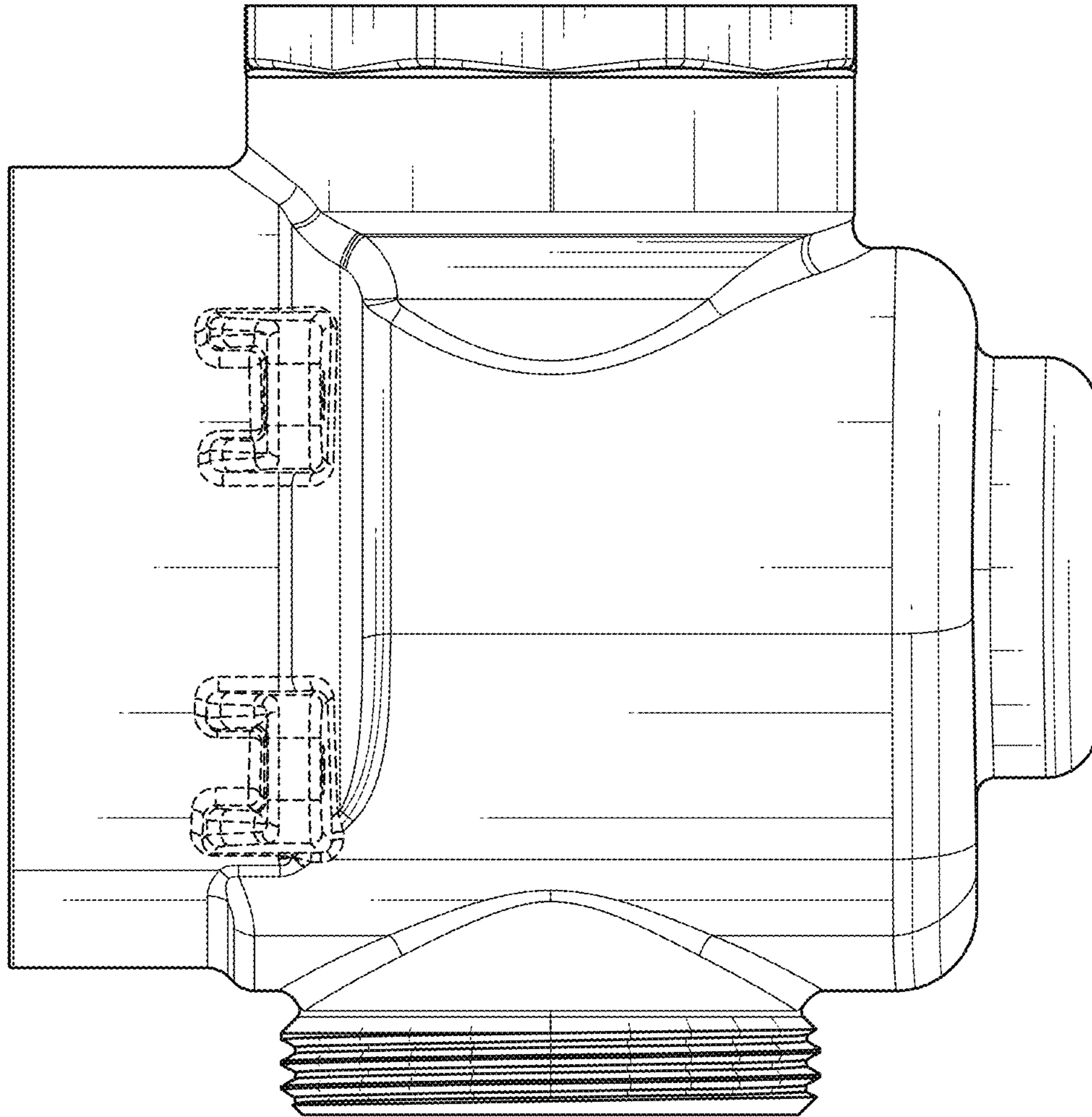


FIG. 4

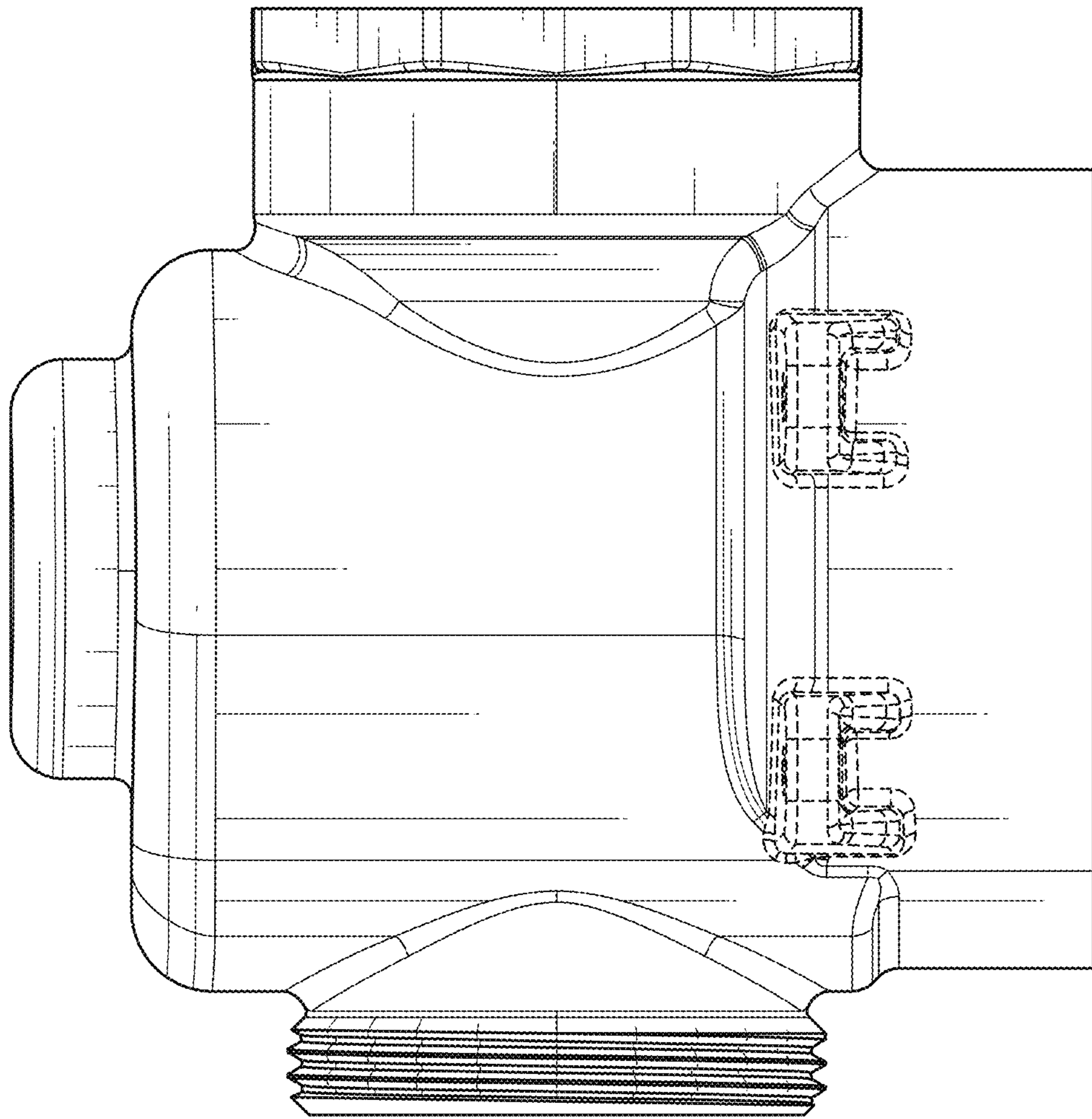


FIG. 5

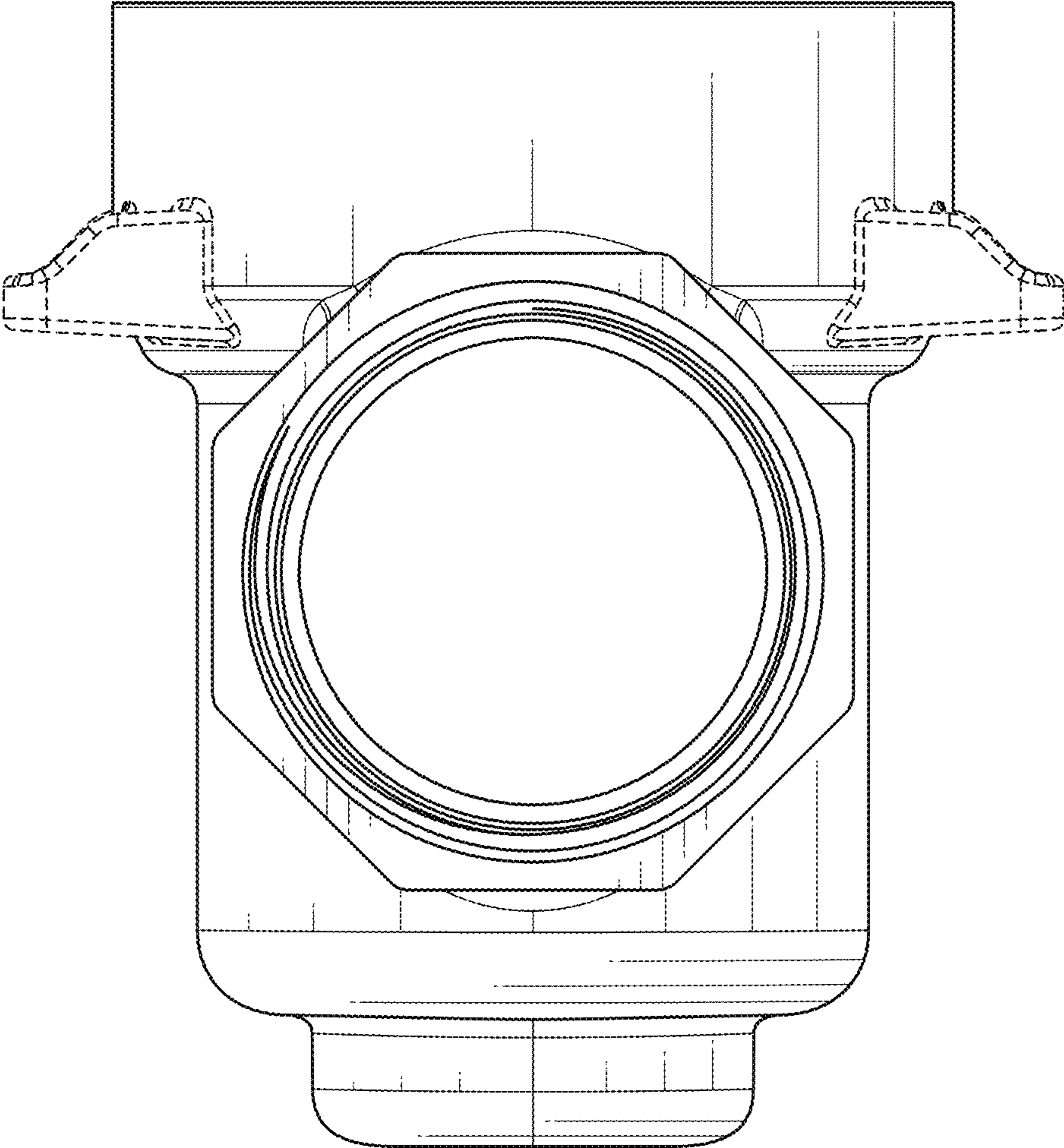


FIG. 6

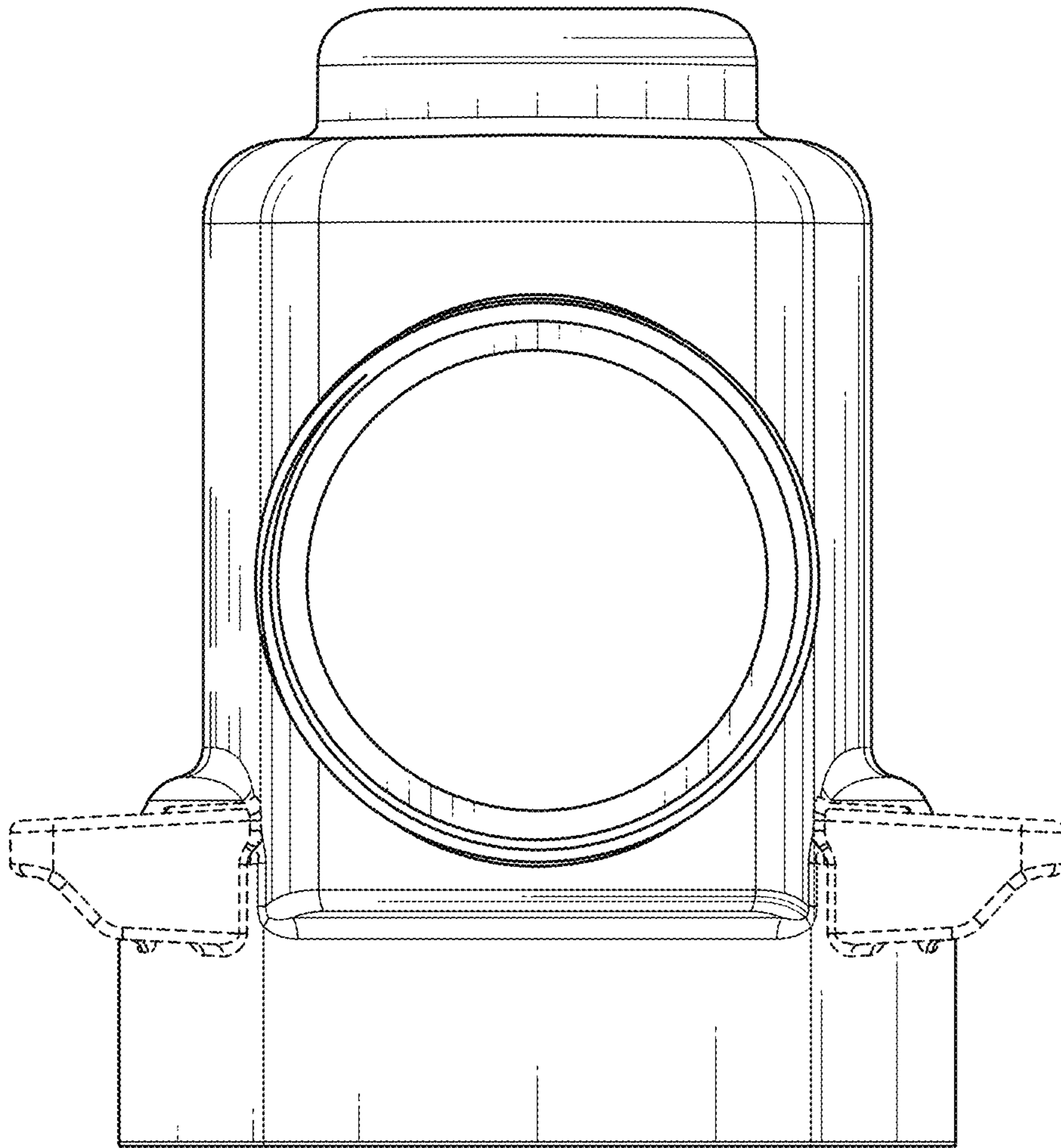


FIG. 7