



US00D844748S

(12) **United States Design Patent**
Schürle

(10) **Patent No.:** **US D844,748 S**

(45) **Date of Patent:** **** Apr. 2, 2019**

(54) **FAUCET STREAM STRAIGHTENER**

D776,242 S * 1/2017 Blum D23/213
D788,264 S * 5/2017 Stein D23/213
D822,159 S * 7/2018 Tempel D23/213

(71) Applicant: **NEOPERL GMBH**, Müllheim (DE)

* cited by examiner

(72) Inventor: **Holger Schürle**, Müllheim-Feldberg (DE)

Primary Examiner — Keli L Hill

(73) Assignee: **Neoperl GmbH**, Müllheim (DE)

(74) *Attorney, Agent, or Firm* — Volpe and Koenig, P.C.

(**) Term: **15 Years**

(57) **CLAIM**

(21) Appl. No.: **35/502,692**

The ornamental design for a faucet stream straightener, as shown and described.

(22) Filed: **Mar. 7, 2017**

(80) **Hague Agreement Data**

DESCRIPTION

Int. Filing Date: **Mar. 7, 2017**
Int. Reg. No.: **DM/095265**
Int. Reg. Date: **Mar. 7, 2017**
Int. Reg. Pub. Date: **Mar. 24, 2017**

- 1.-2. Faucet stream straighteners
- 1.1 :Top
- 1.2 : Perspective
- 1.3: Bottom
- 1.4 : Perspective
- 1.5 : Front
- 1.6 : Left
- 1.7: Back
- 1.8 : Right
- 2.1 :Top
- 2.2 : Perspective
- 2.3: Bottom
- 2.4 : Perspective
- 2.5 : Front
- 2.6 :Left
- 2.7: Back
- 2.8: Right

(51) **LOC (11) Cl.** **23-01**

(52) **U.S. Cl.**
USPC **D23/213**

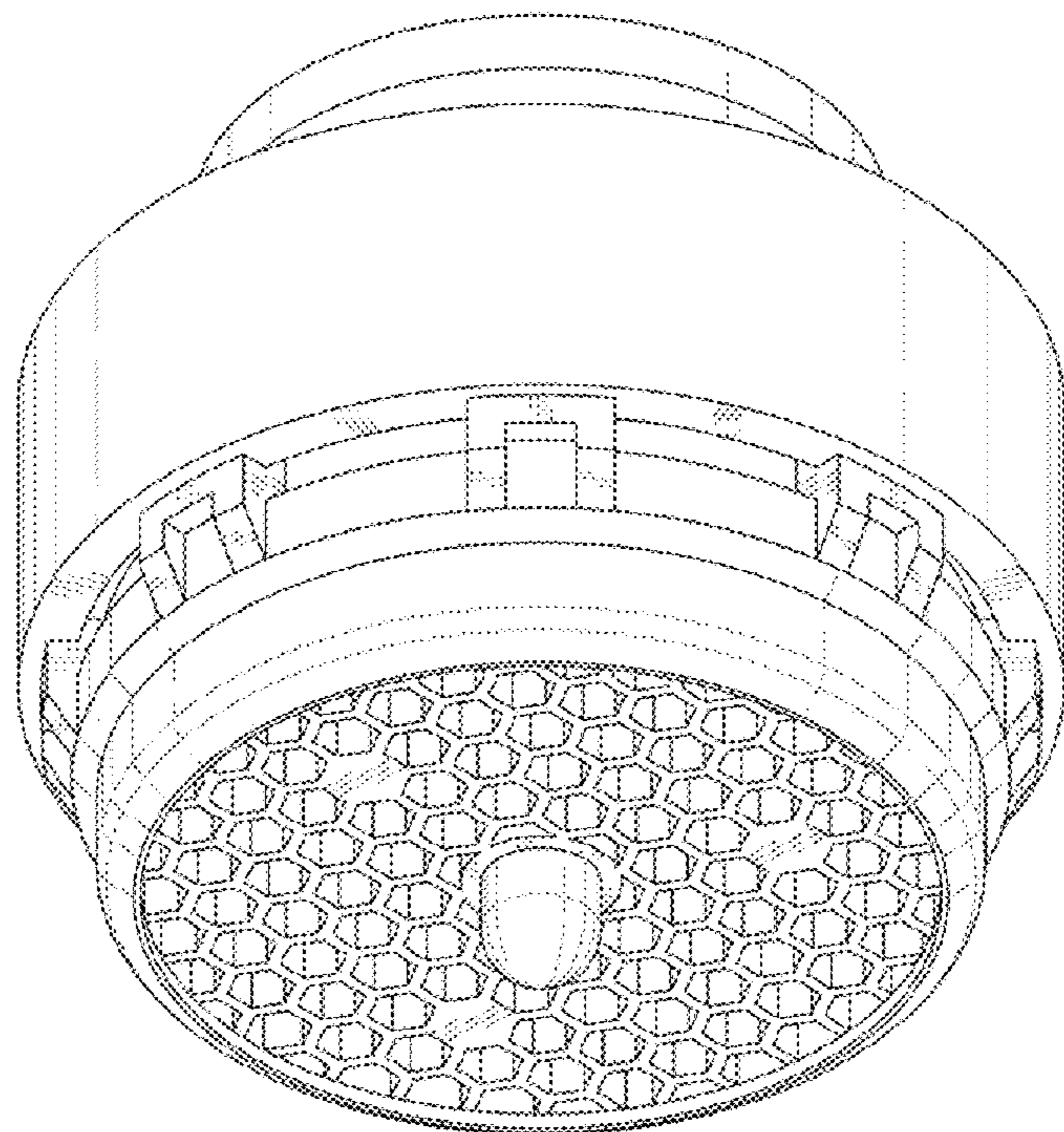
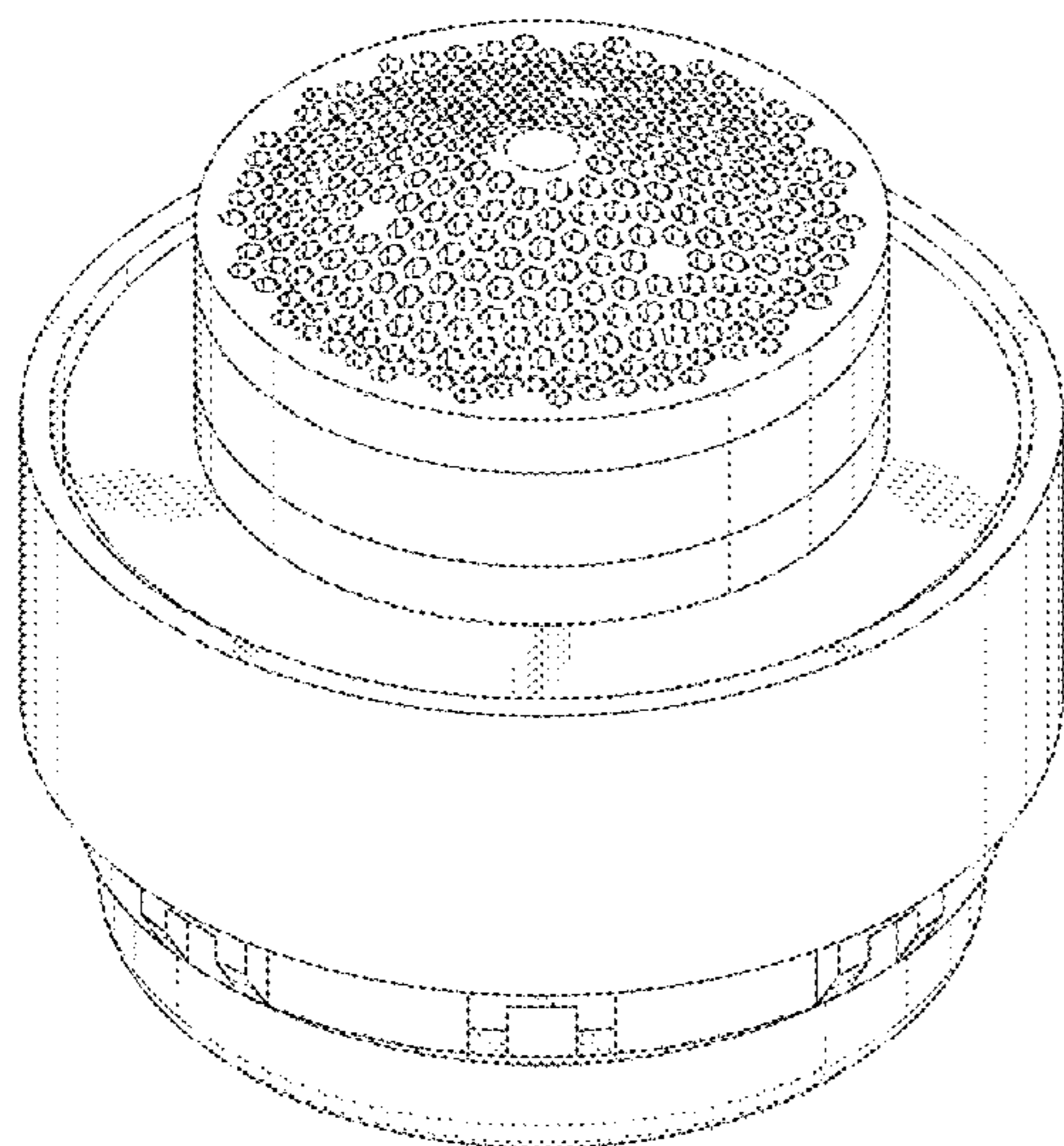
(58) **Field of Classification Search**
USPC D23/213, 229, 233, 235, 247-249
CPC . E03C 1/08; E03C 1/084; E03C 1/086; E03C
2001/026; B05B 7/0425
See application file for complete search history.

(56) **References Cited**

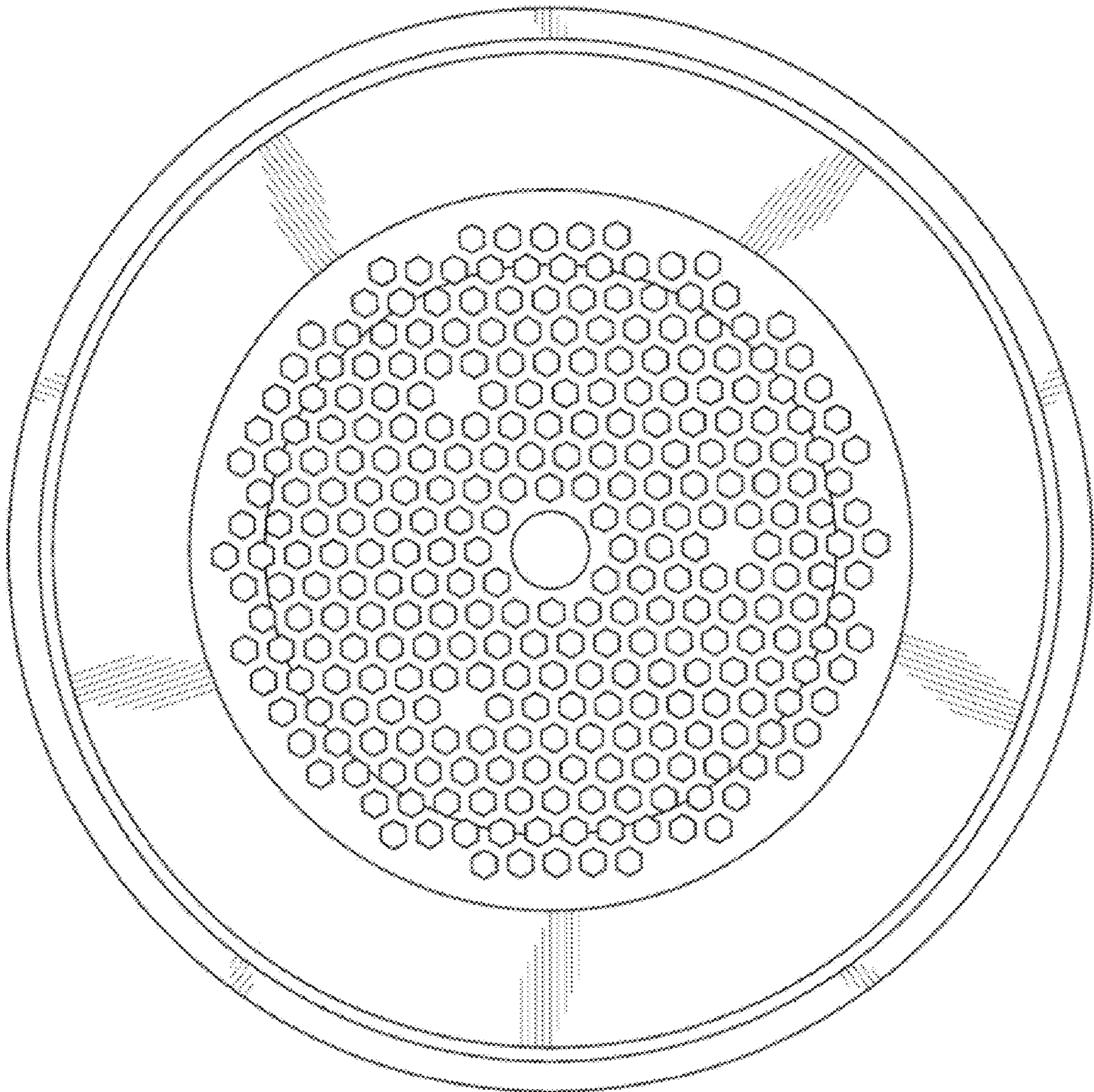
U.S. PATENT DOCUMENTS

D753,792 S * 4/2016 Blum D23/213
D776,240 S * 1/2017 Huang D23/213

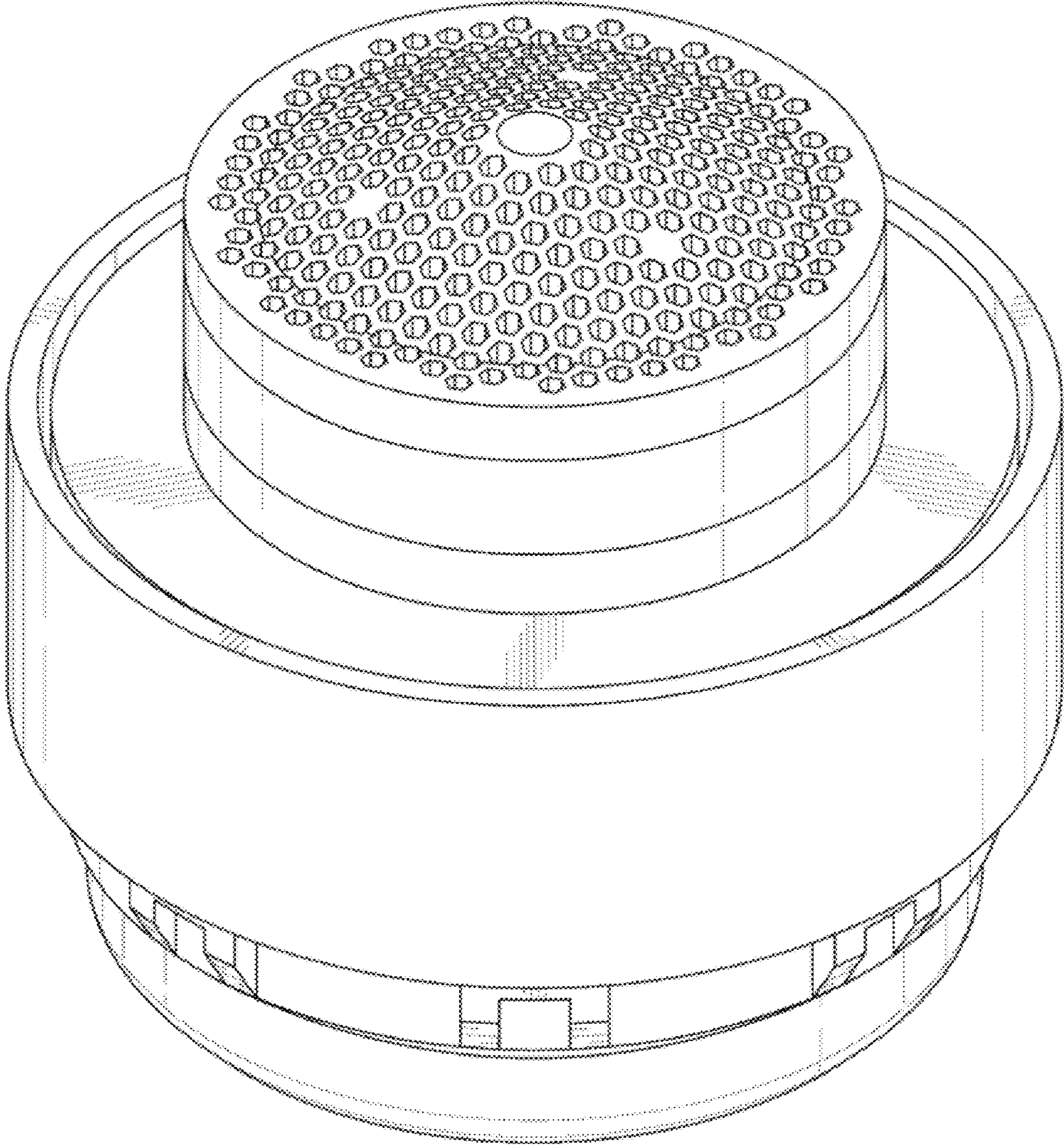
1 Claim, 16 Drawing Sheets



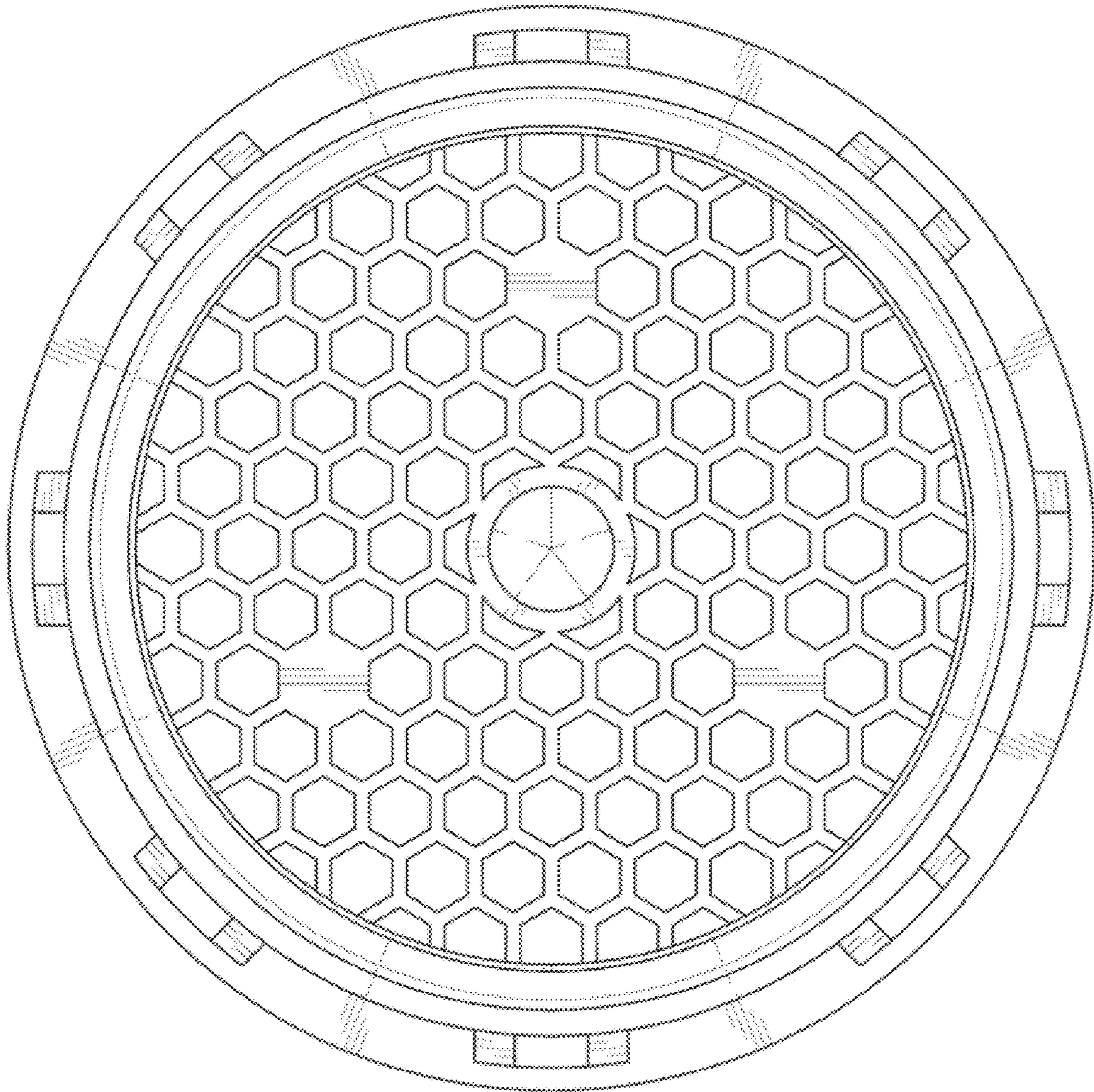
1.1



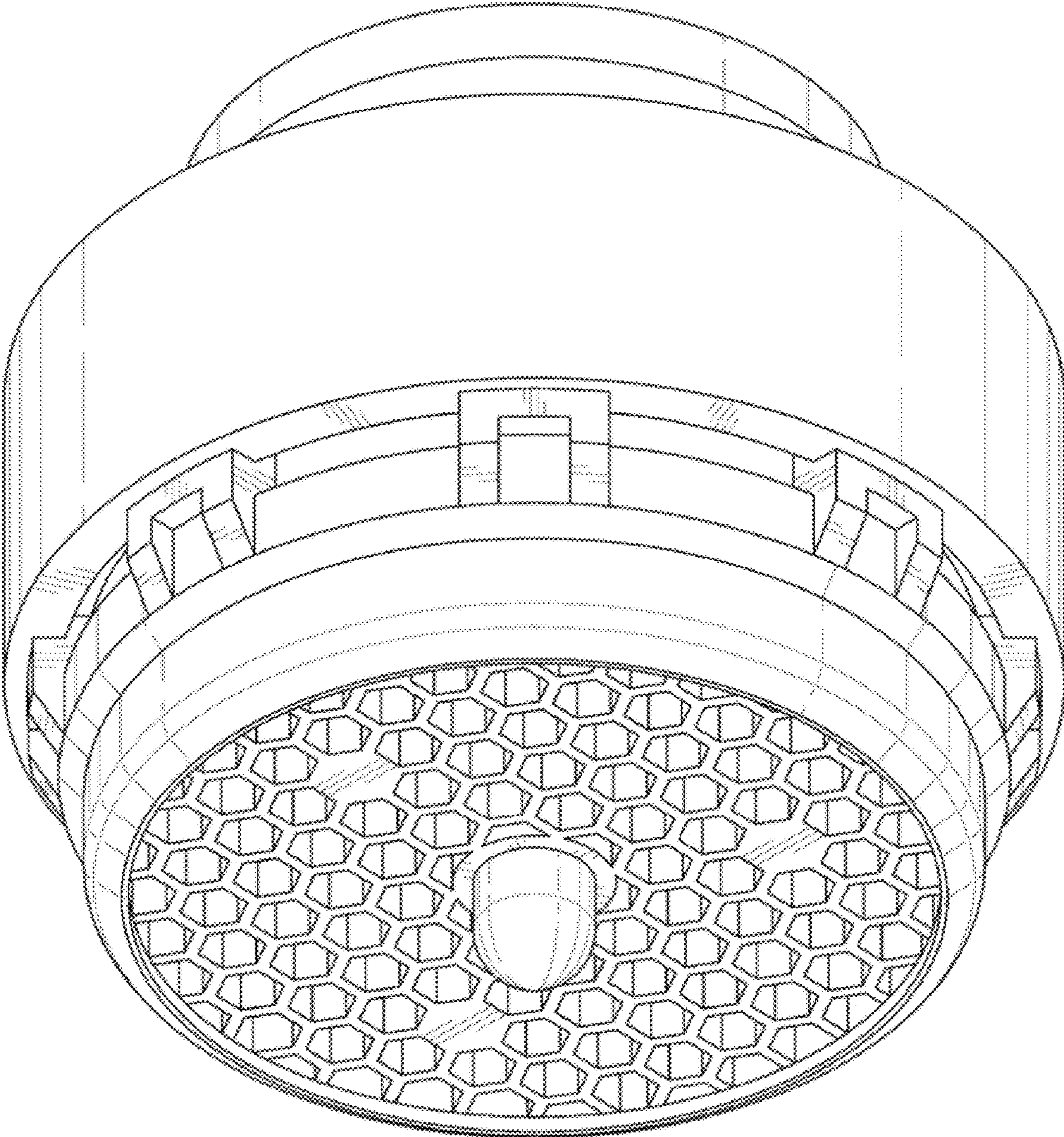
1.2



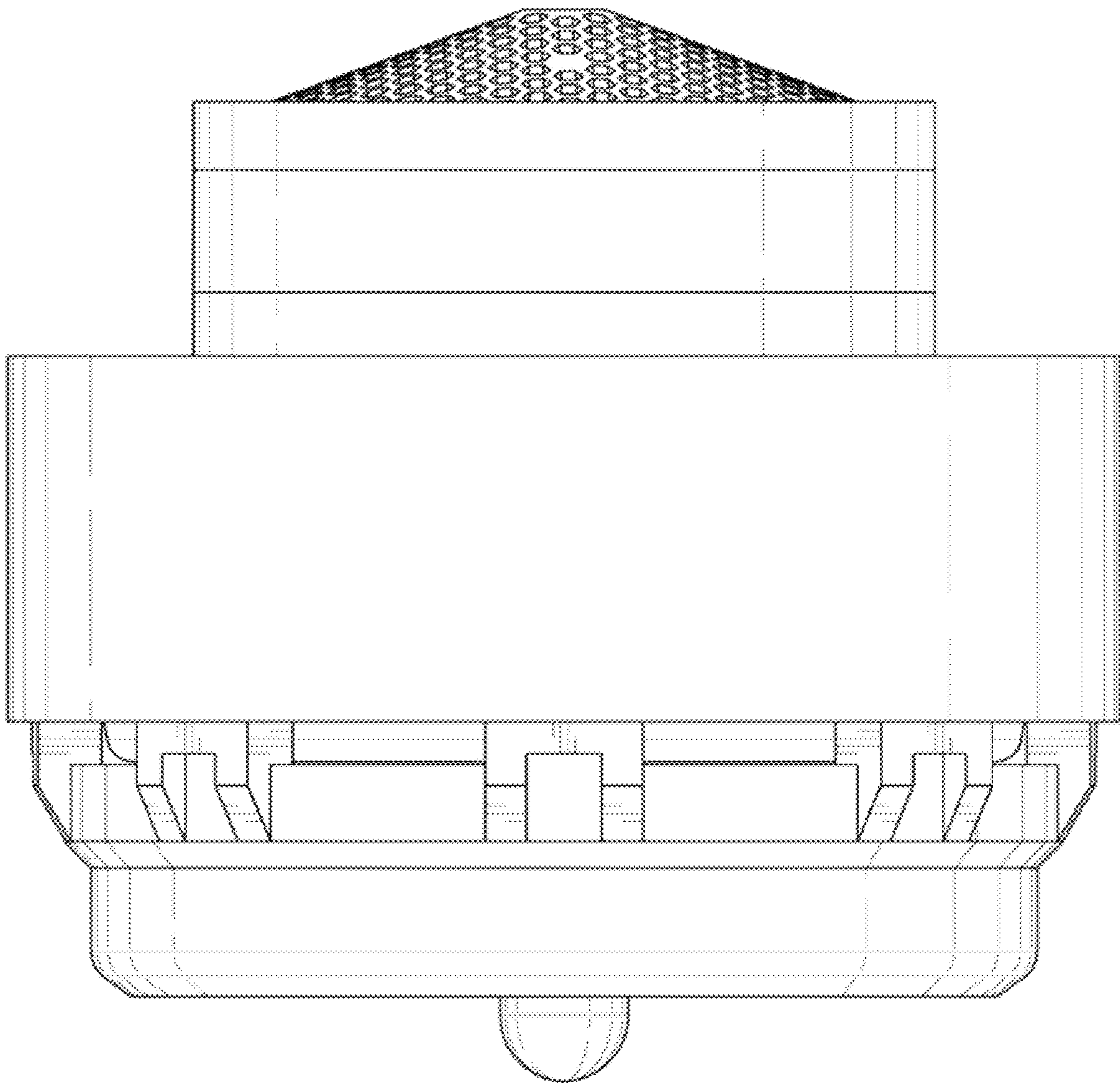
1.3



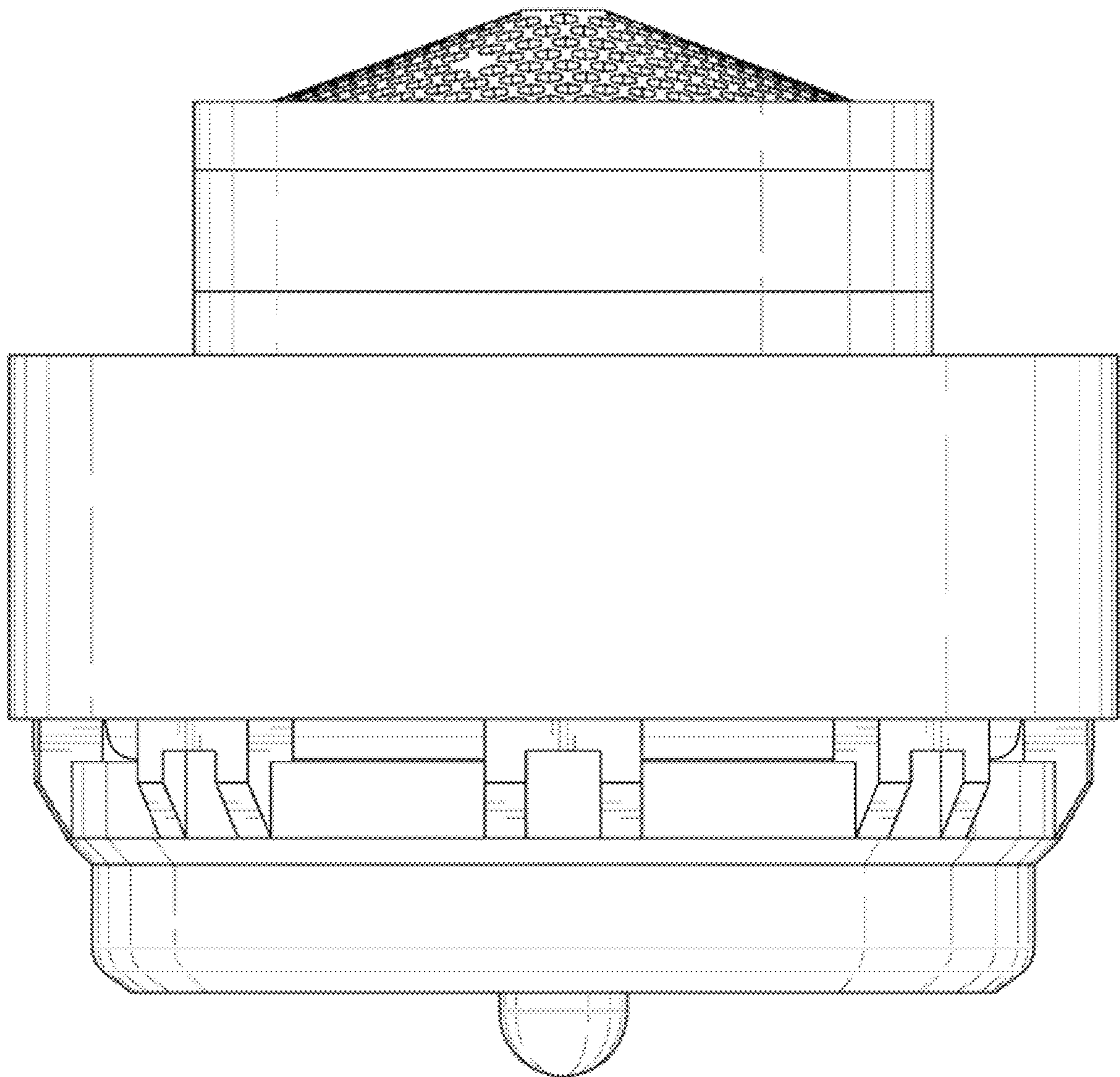
1.4



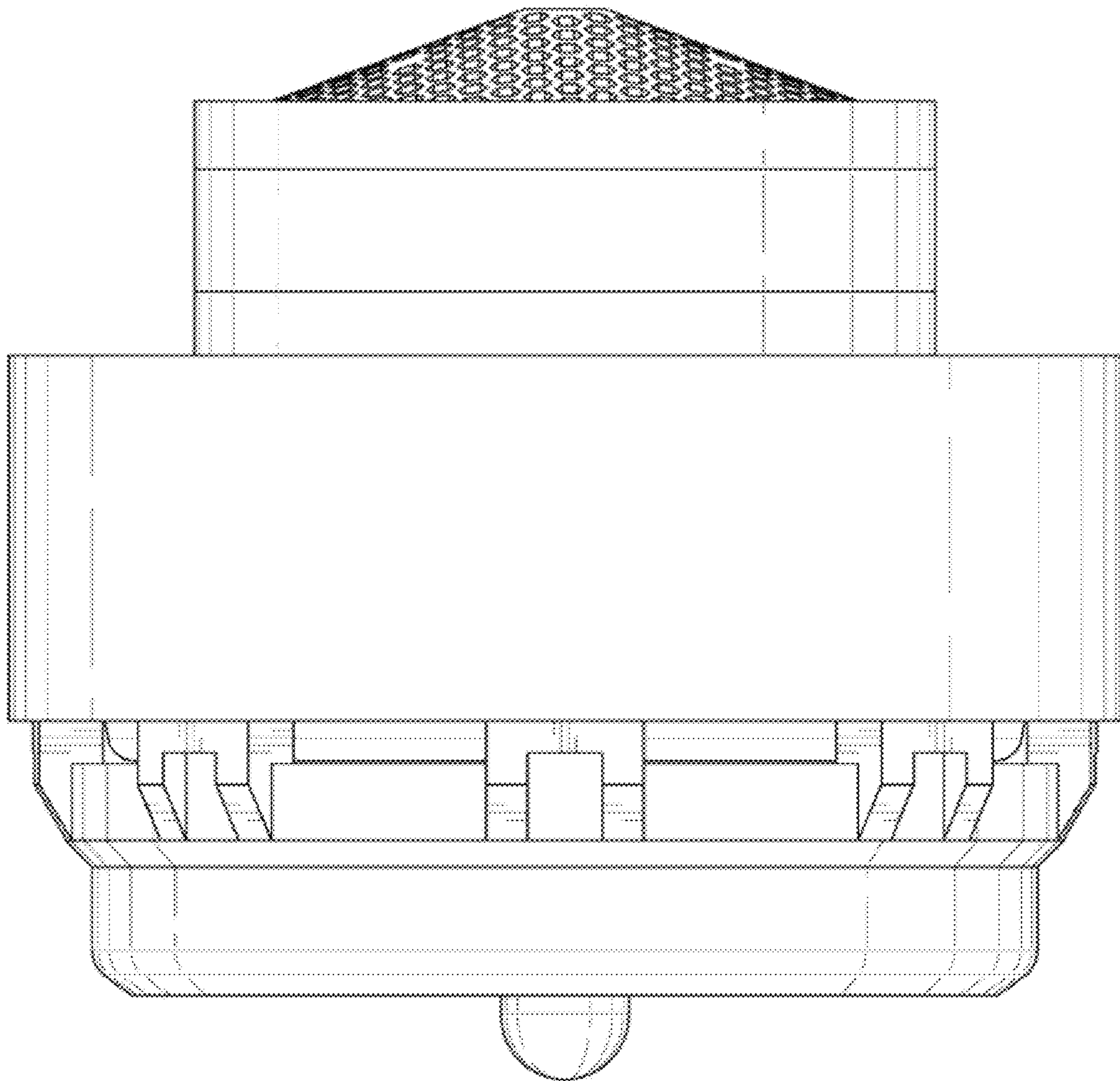
1.5



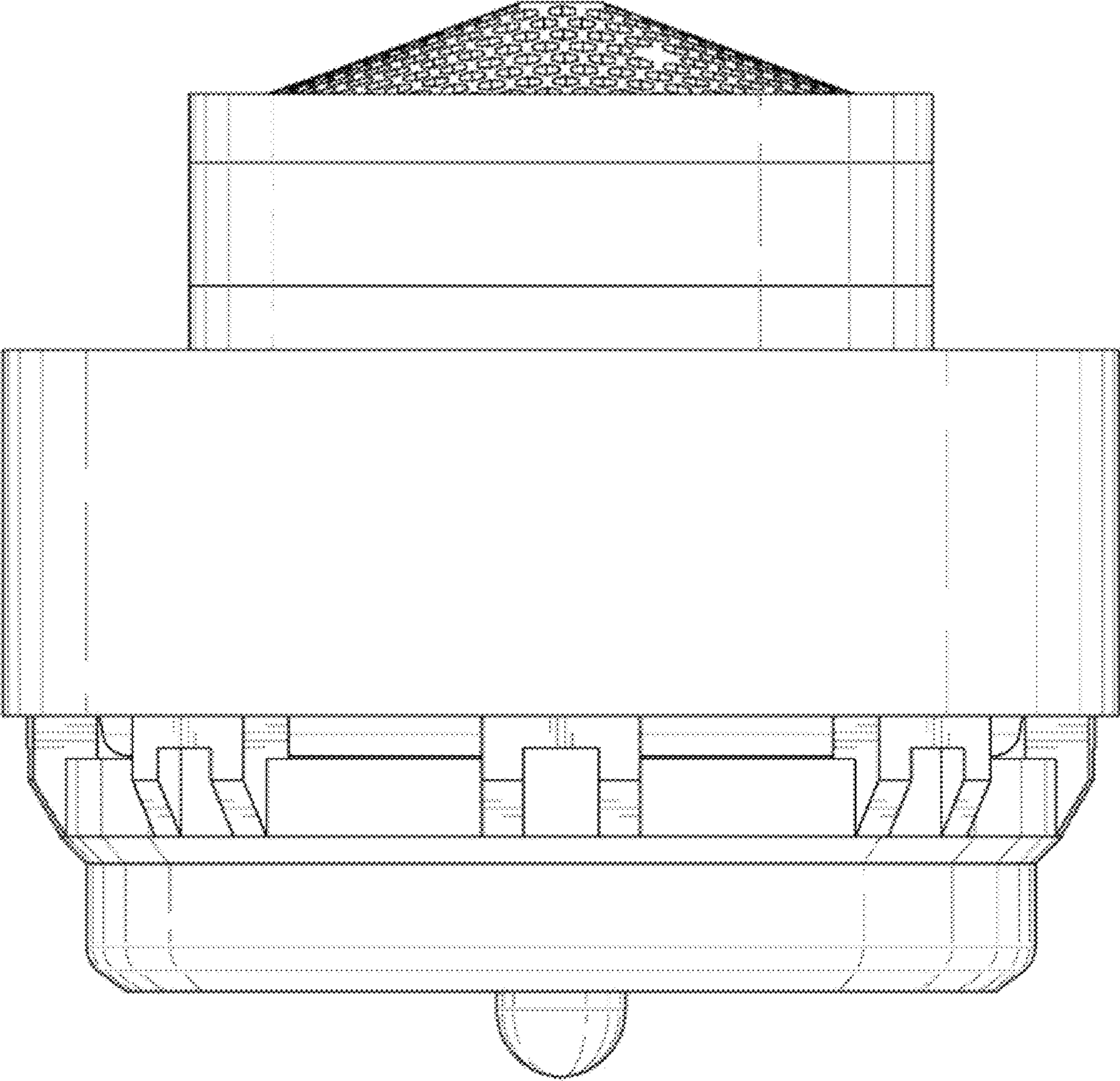
1.6



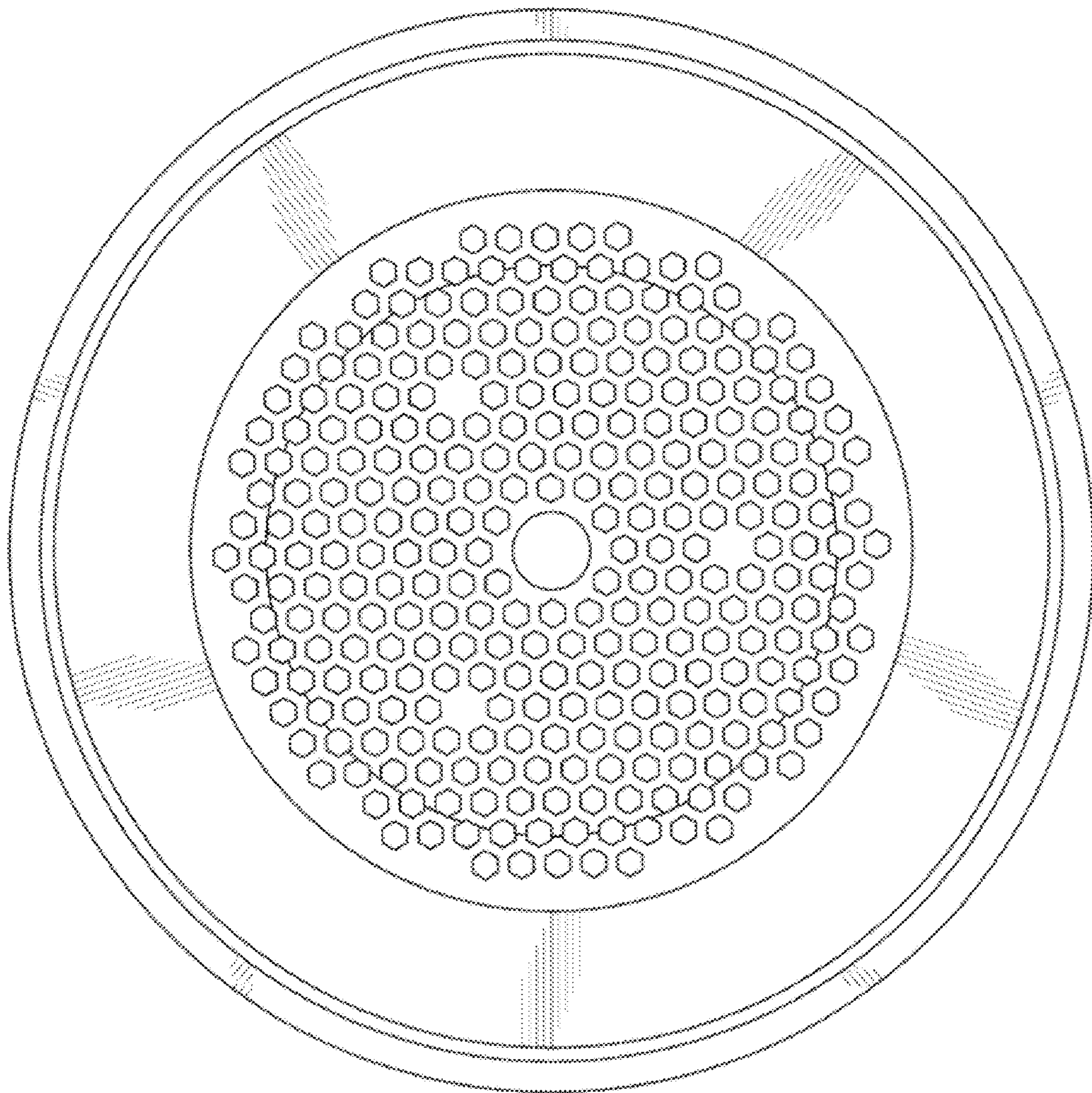
1.7



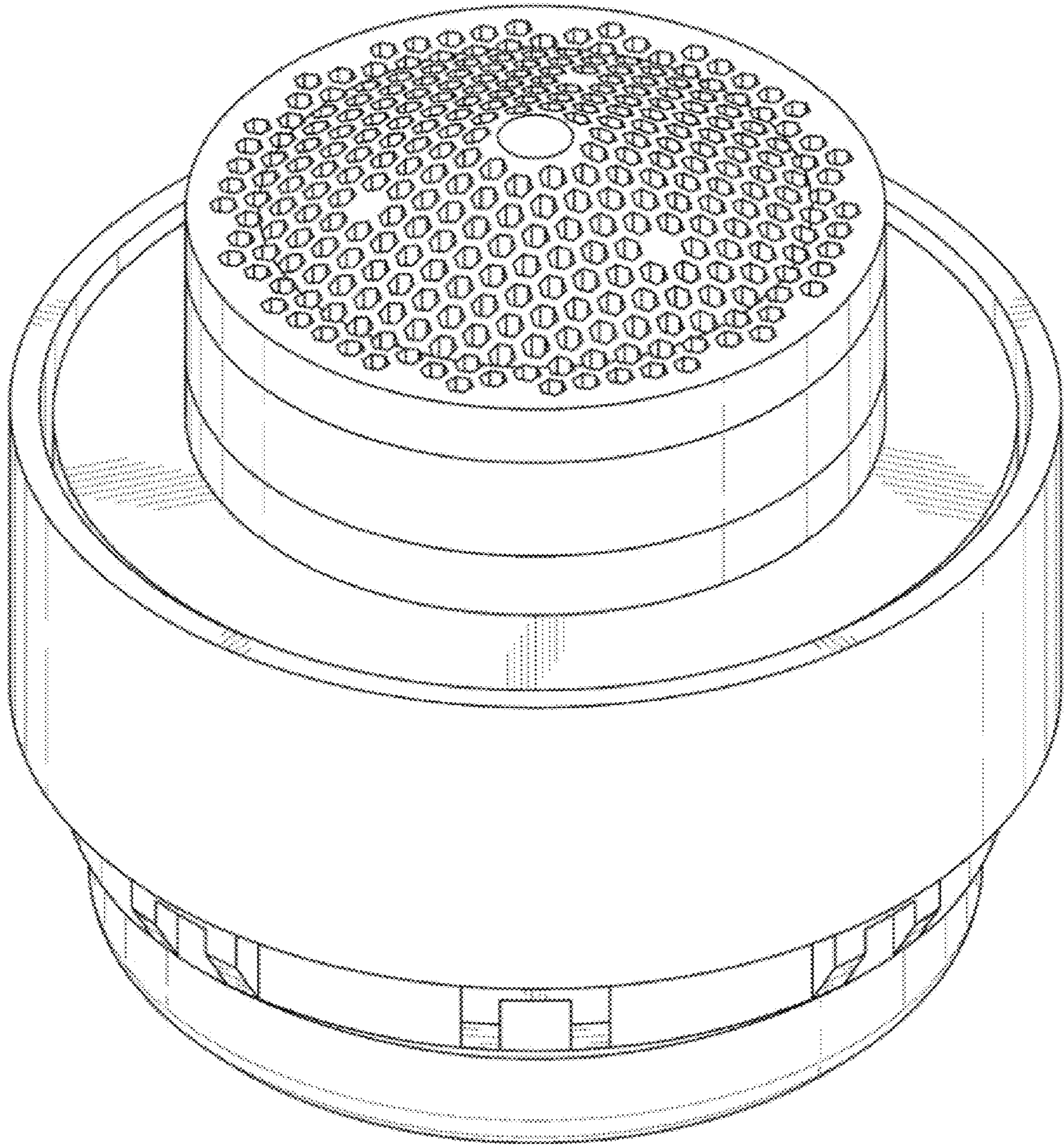
1.8



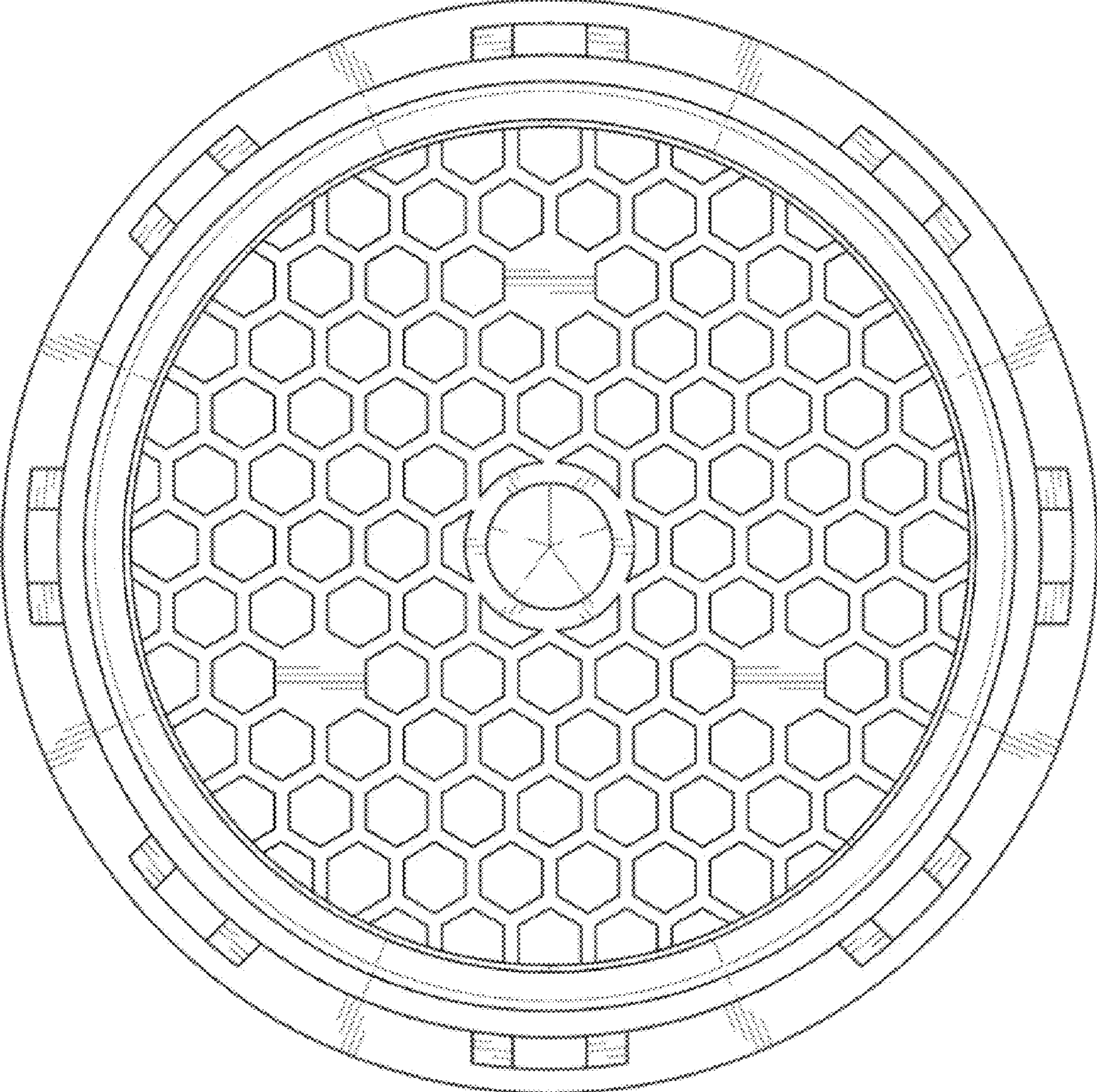
2.1



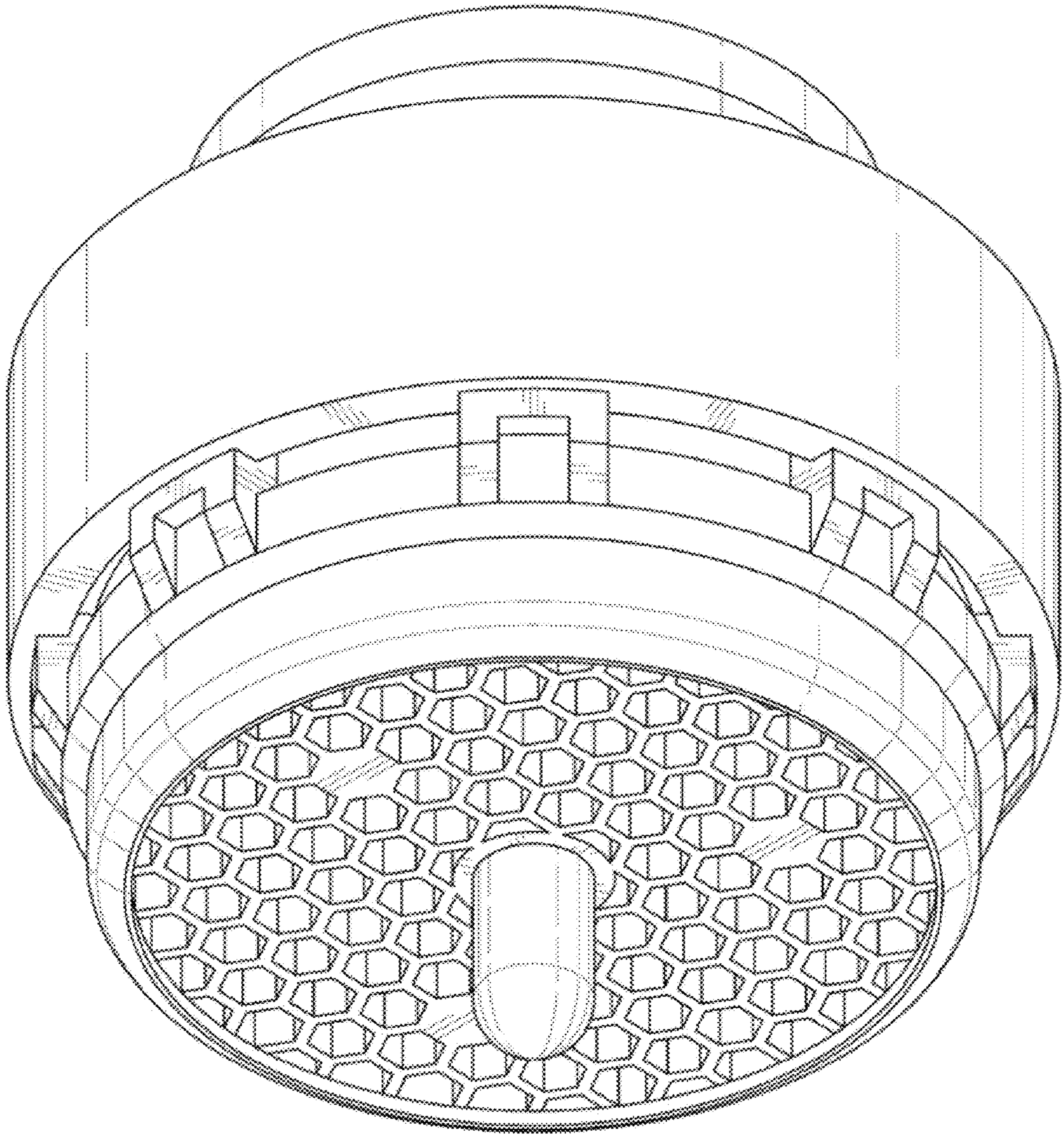
2.2



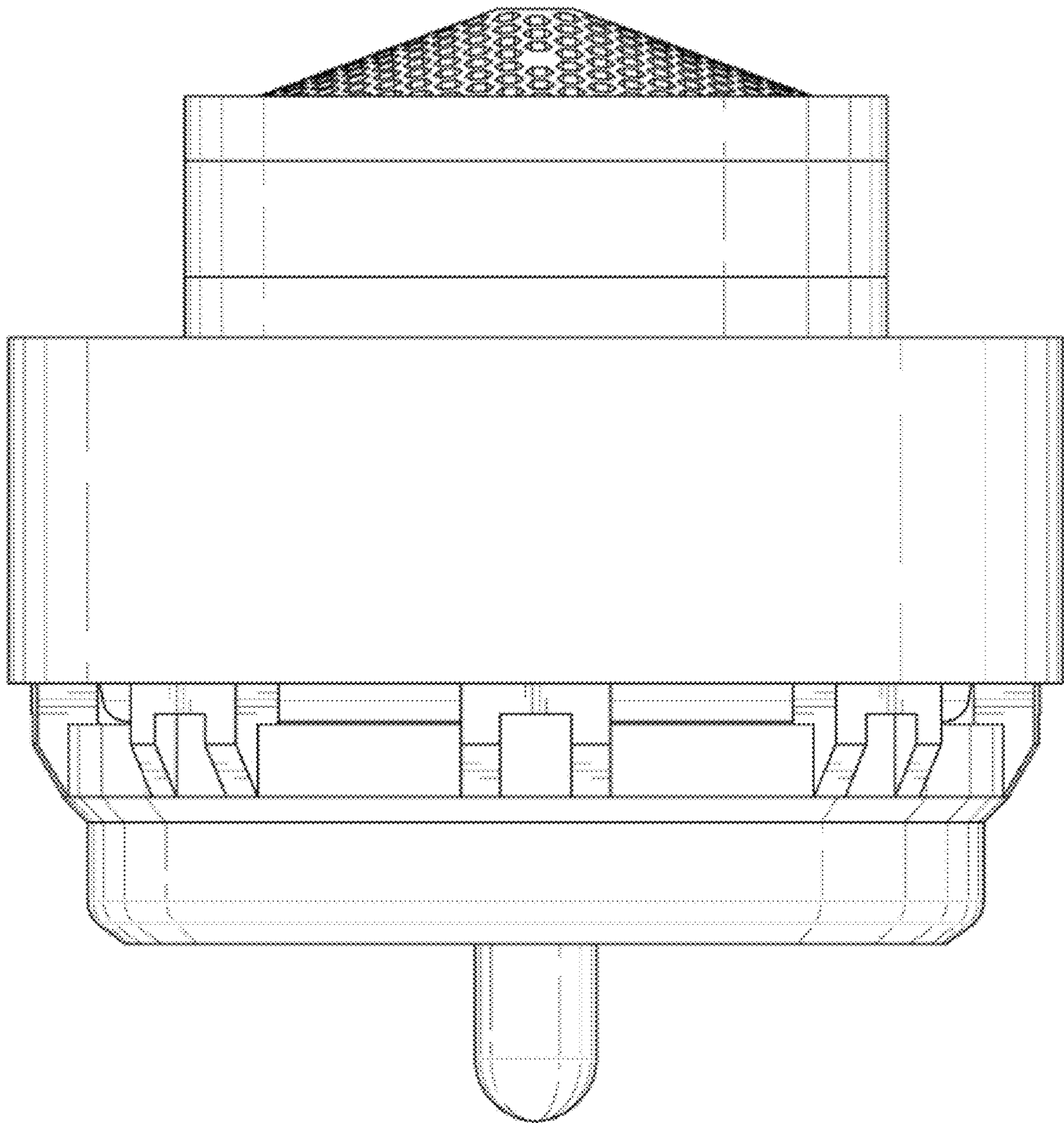
2.3



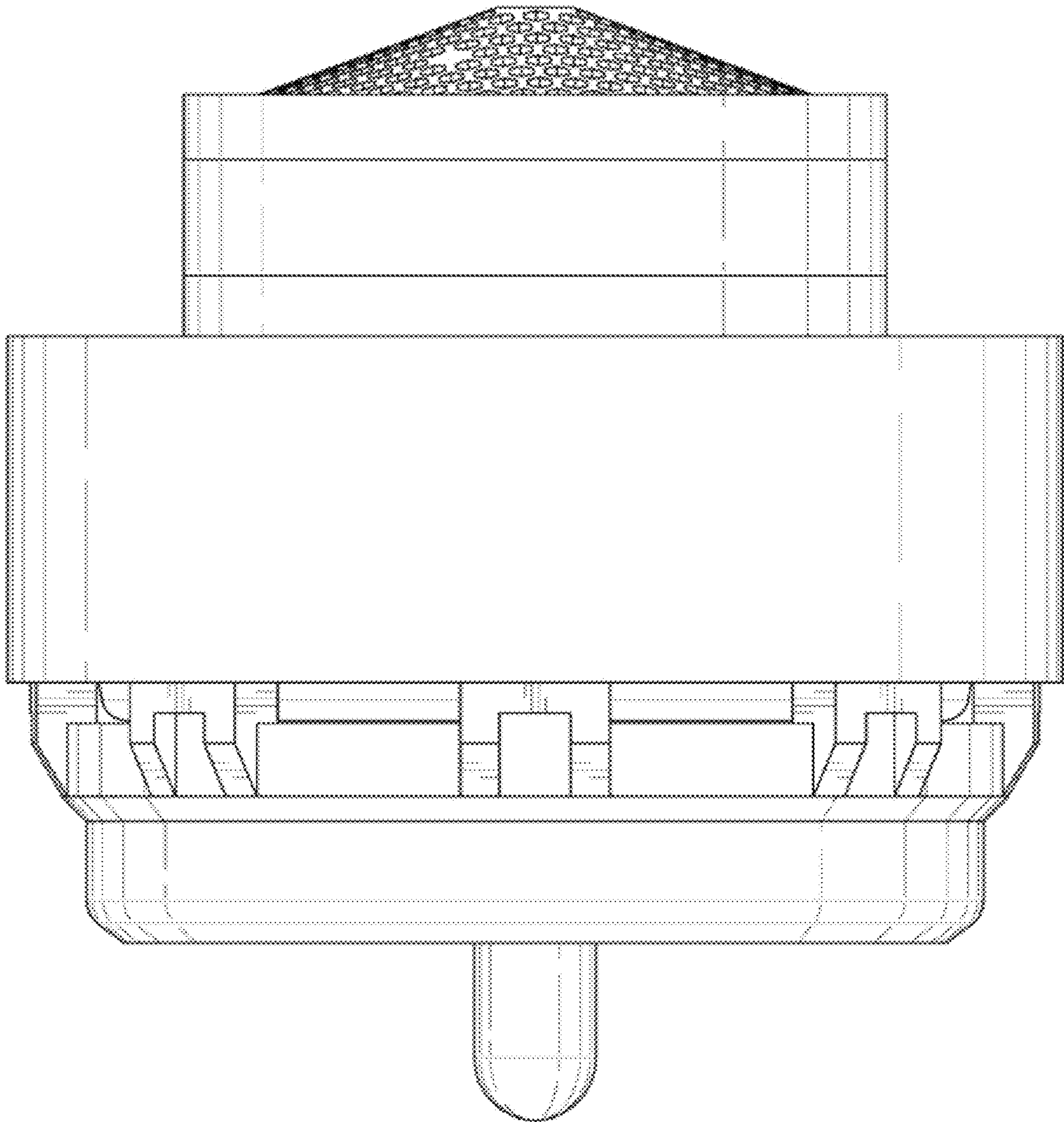
2.4



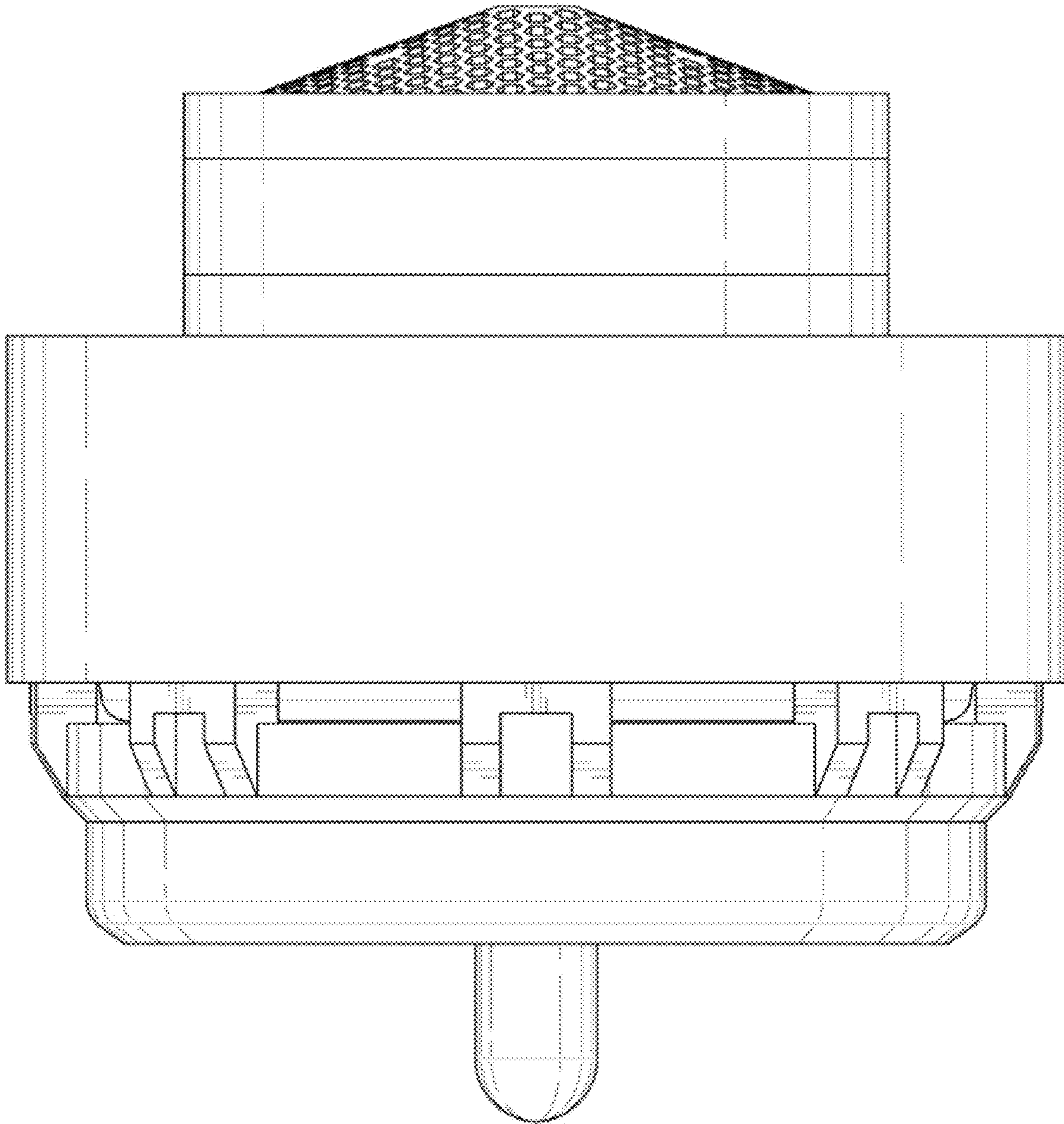
2.5



2.6



2.7



2.8

