



US00D844747S

(12) **United States Design Patent** (10) **Patent No.:** **US D844,747 S**
Blum (45) **Date of Patent:** **** Apr. 2, 2019**

(54) **FAUCET STREAM STRAIGHTENER** 7,677,473 B2 * 3/2010 Kao E03C 1/084
 239/428.5
 (71) Applicant: **Neoperl GmbH**, Mullheim (DE) D641,071 S * 7/2011 Grether D23/249
 D641,839 S * 7/2011 Grether D23/249
 (72) Inventor: **Gerhard Blum**, Gutach (DE) D674,877 S * 1/2013 Jones D23/213
 D676,525 S * 2/2013 Jones D23/213
 (73) Assignee: **Neoperl GmbH**, Müllheim (DE) D692,526 S * 10/2013 Stein D23/213
 D693,427 S * 11/2013 Jones D23/213
 (**) Term: **15 Years** 2007/0196177 A1 * 8/2007 Tasi E03C 1/084
 405/79
 (21) Appl. No.: **29/610,288** 2011/0006132 A1 * 1/2011 Grether E03C 1/084
 239/428.5
 (22) Filed: **Jul. 11, 2017** 2011/0266369 A1 * 11/2011 Grether E03C 1/084
 239/428.5
 2011/0303309 A1 * 12/2011 Prenzler E03C 1/08
 137/551
 2016/0273199 A1 * 9/2016 Blum E03C 1/08

Related U.S. Application Data

(62) Division of application No. 35/500,443, filed on Sep. 30, 2015 (U.S. filing date under 35 U.S.C. 384), and having an international filing date of Sep. 30, 2015, now abandoned.
 (51) **LOC (11) Cl.** **23-01**
 (52) **U.S. Cl.**
 USPC **D23/213**
 (58) **Field of Classification Search**
 USPC D23/213, 249
 CPC E03C 1/08; E03C 1/084; E03C 1/04
 See application file for complete search history.

References Cited

U.S. PATENT DOCUMENTS

4,789,103 A * 12/1988 Ruhnke E03C 1/084
 239/428.5
 6,126,093 A * 10/2000 Grether E03C 1/08
 239/428.5
 6,892,964 B2 * 5/2005 Grether E03C 1/08
 239/428.5
 D550,818 S * 9/2007 Grether D23/249
 D612,911 S * 3/2010 Grether D23/249

* cited by examiner

Primary Examiner — Darlington Ly

(74) *Attorney, Agent, or Firm* — Volpe and Koenig, P.C.

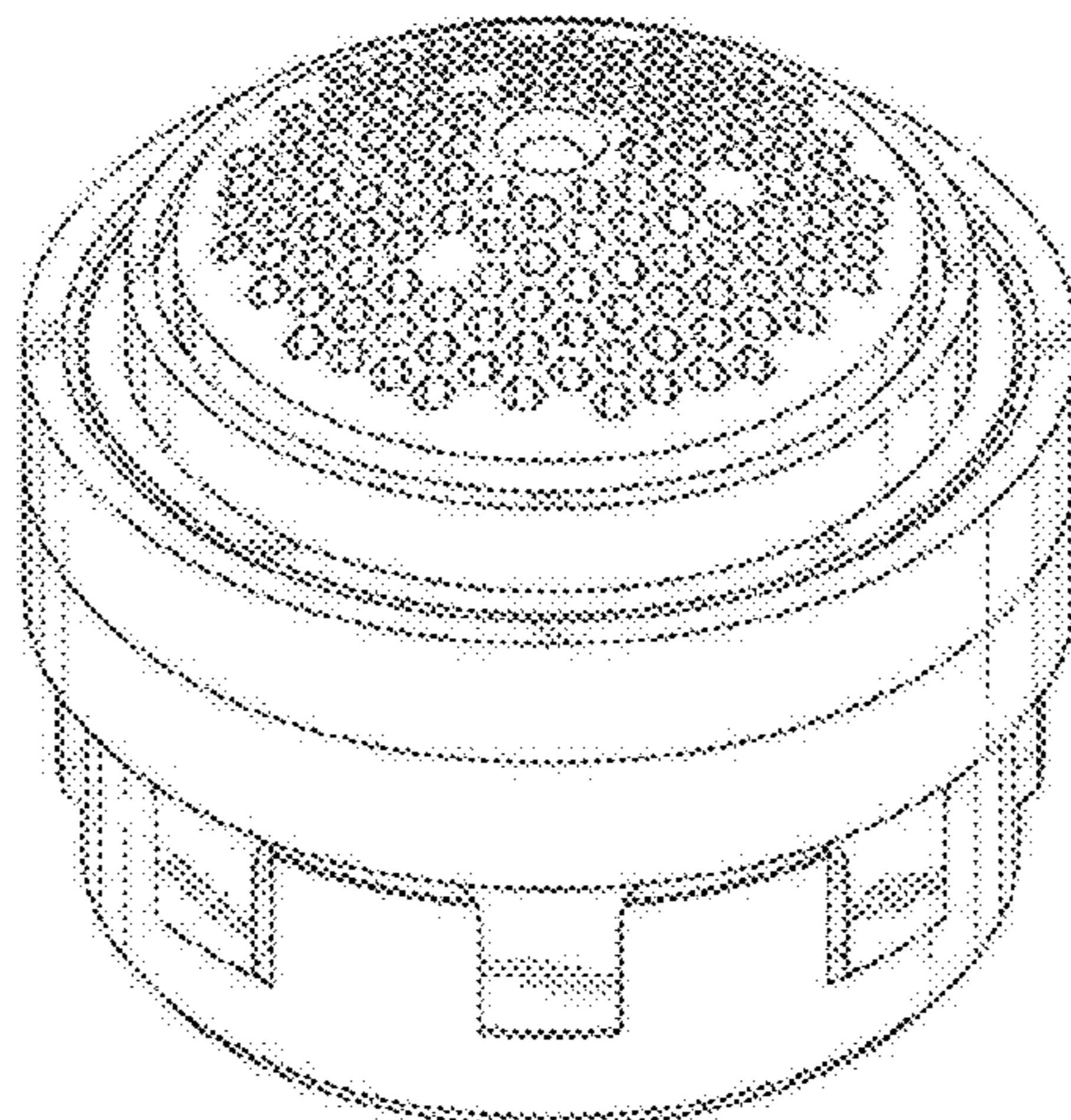
(57) **CLAIM**

The ornamental design for a faucet stream straightener, as shown and described.

DESCRIPTION

FIG. 1 is a top plan view of a faucet stream straightener in accordance with my design;
 FIG. 2 is a top and front perspective view thereof;
 FIG. 3 is a bottom plan view thereof;
 FIG. 4 is a bottom and rear perspective view thereof;
 FIG. 5 is a left side elevational view thereof;
 FIG. 6 is a front elevational view thereof;
 FIG. 7 is a rear elevational view thereof; and,
 FIG. 8 is a right side elevational view thereof.

1 Claim, 4 Drawing Sheets



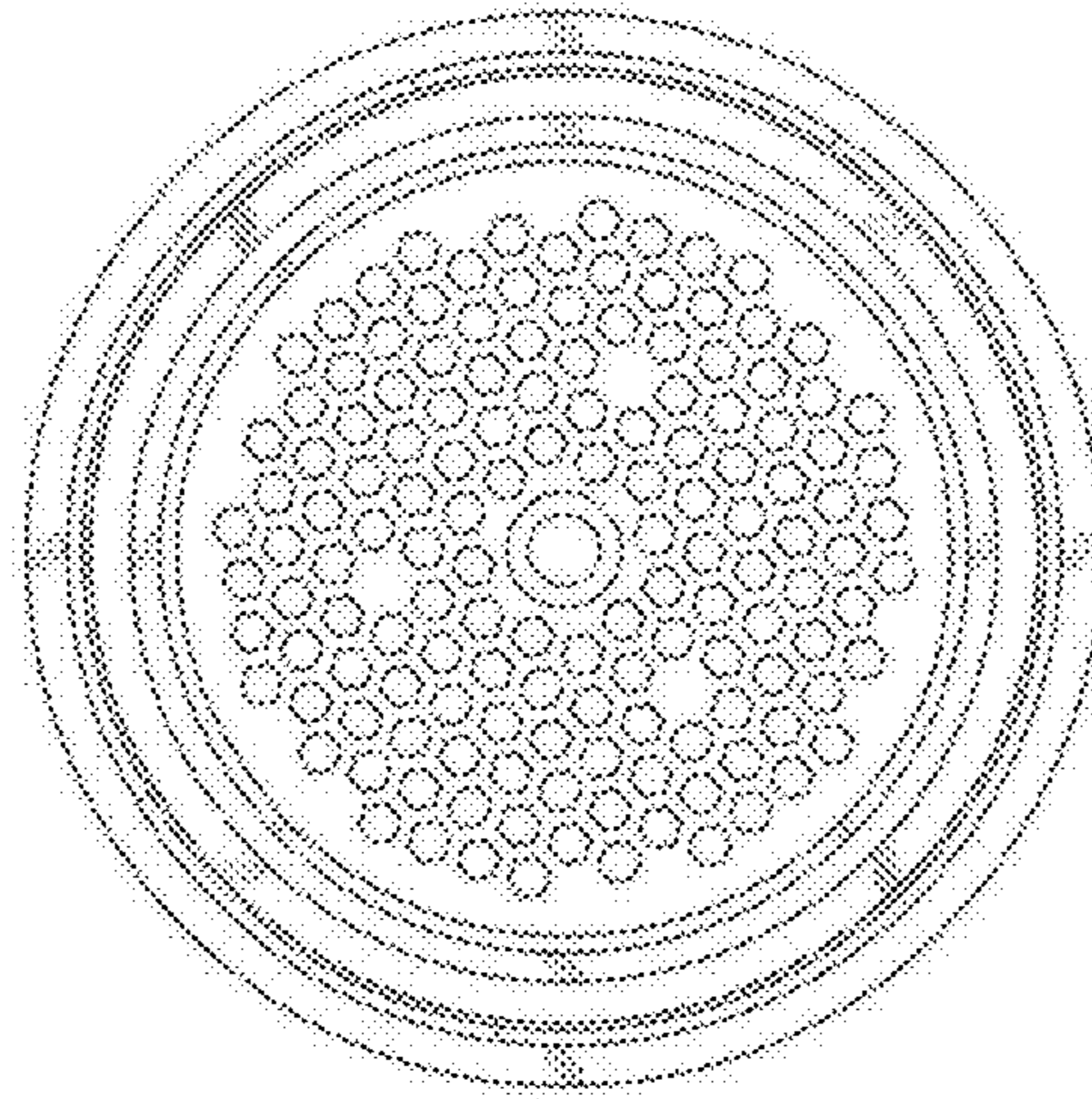


Fig. 1

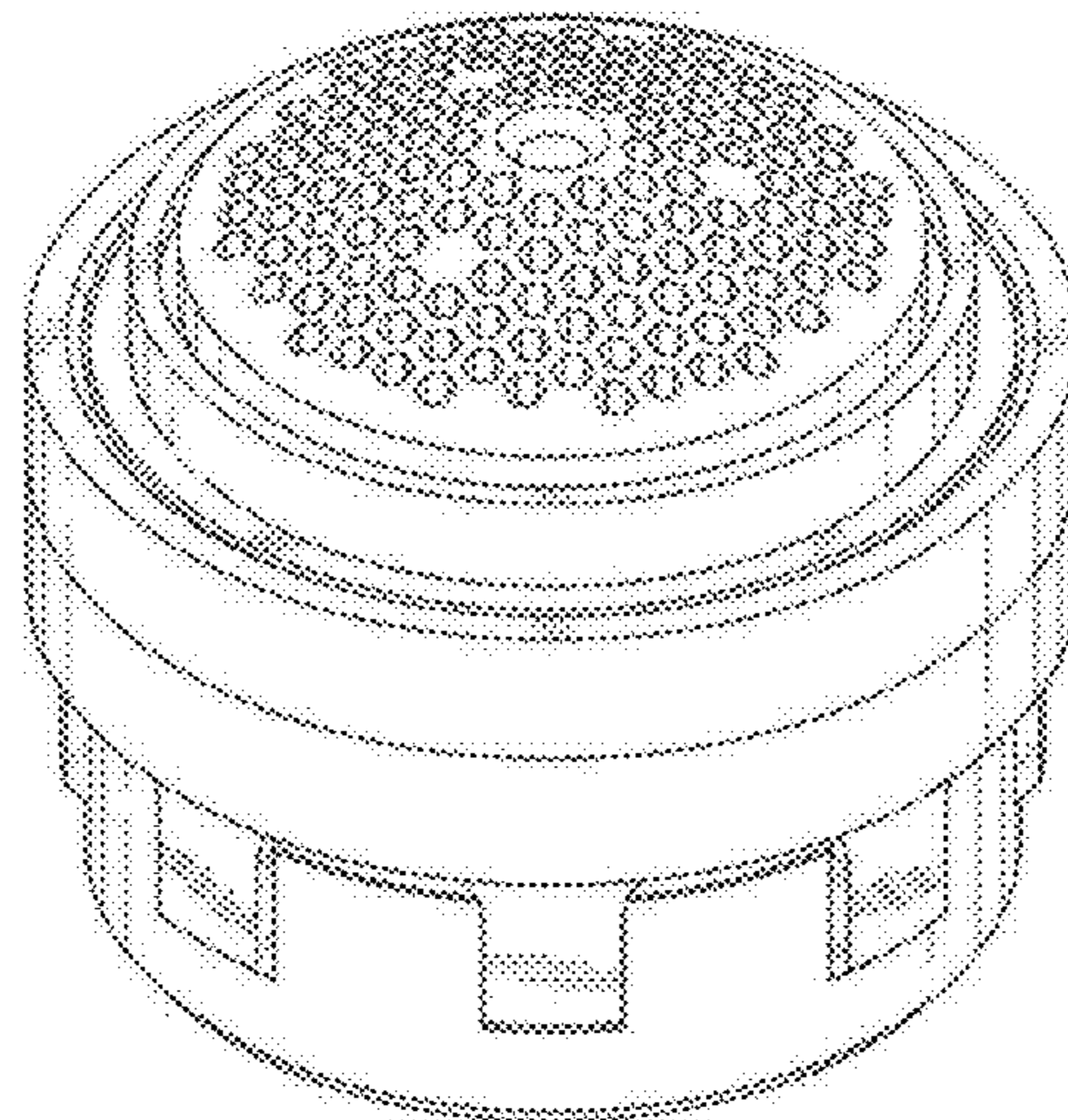


Fig. 2

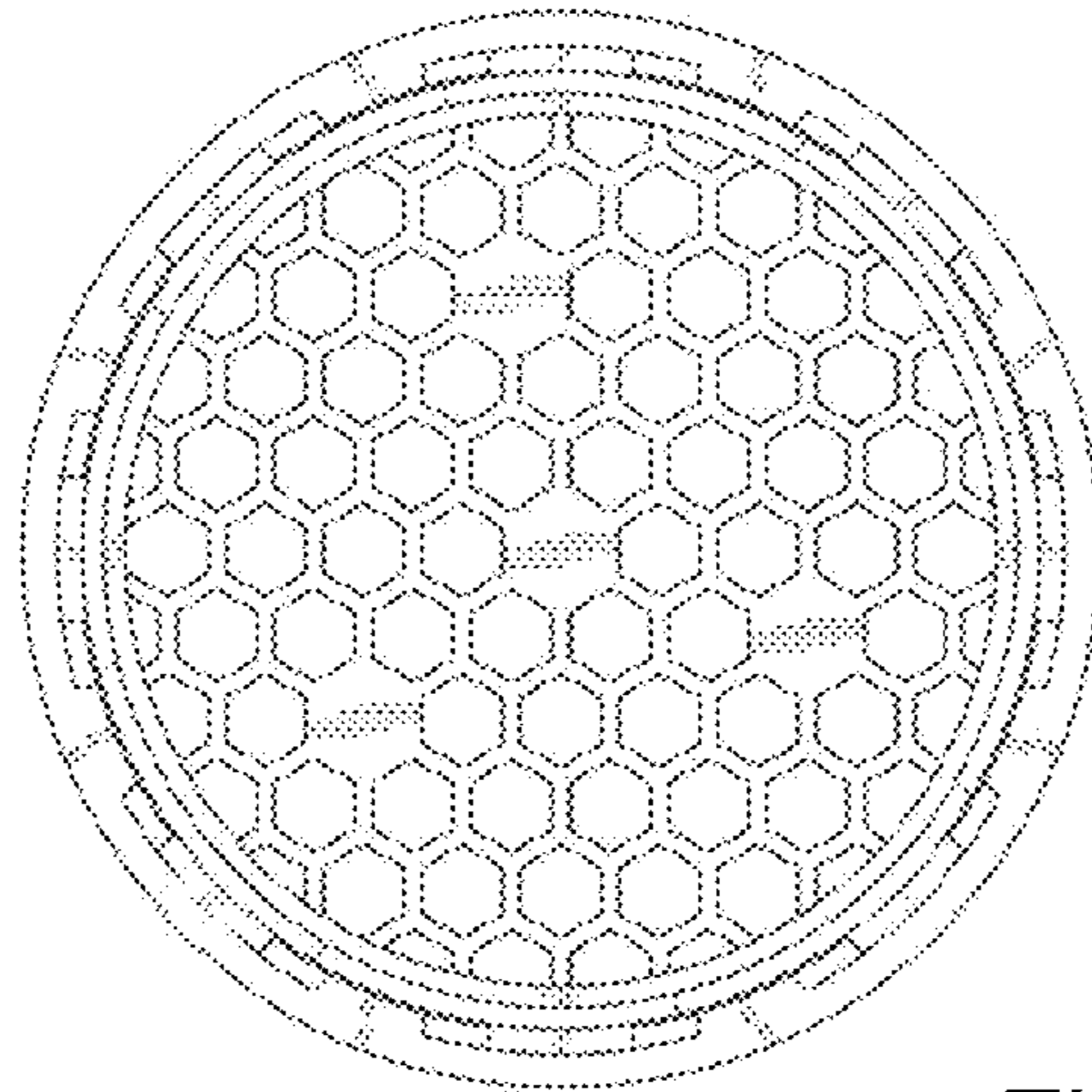


Fig. 3

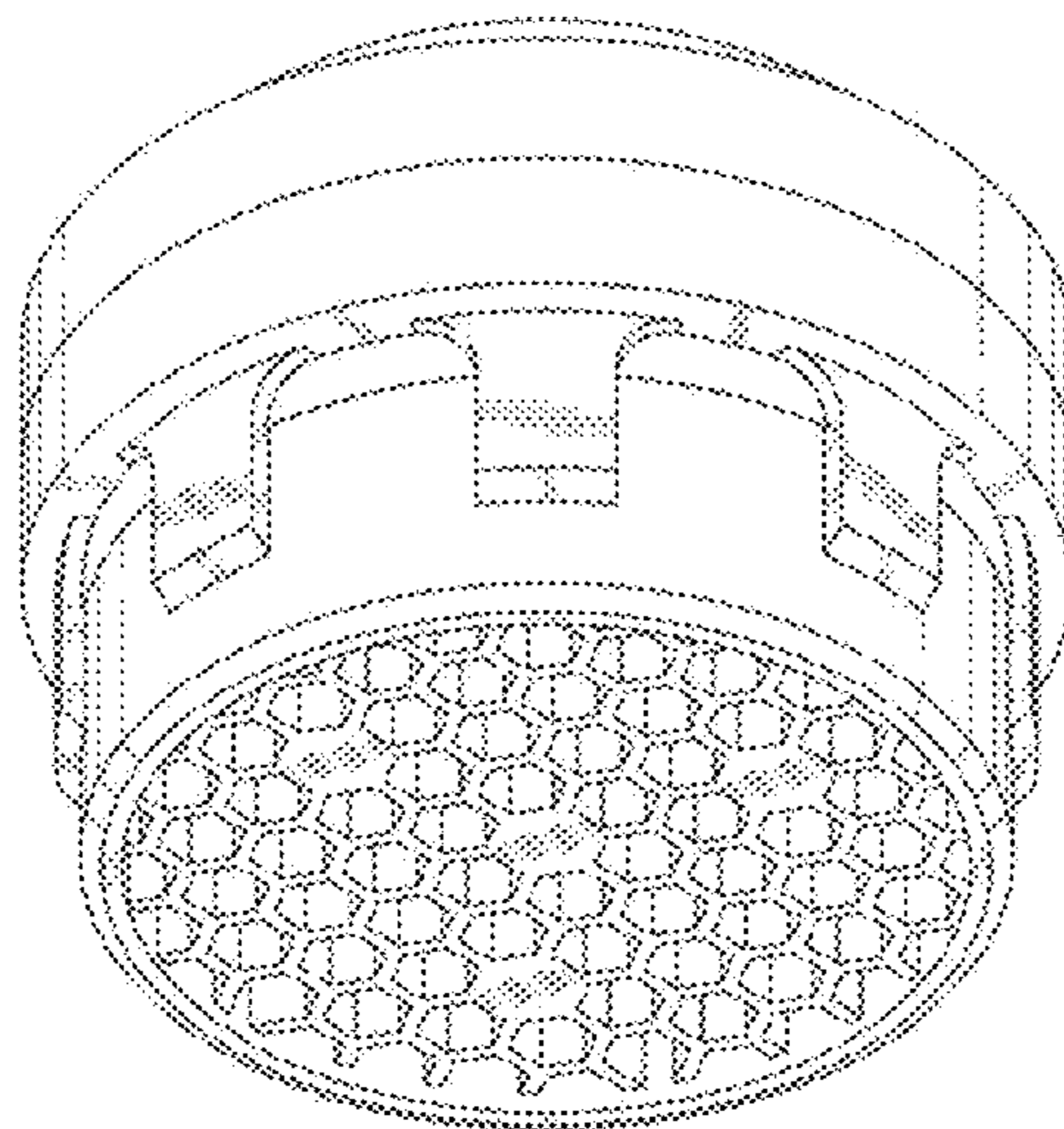


Fig. 4

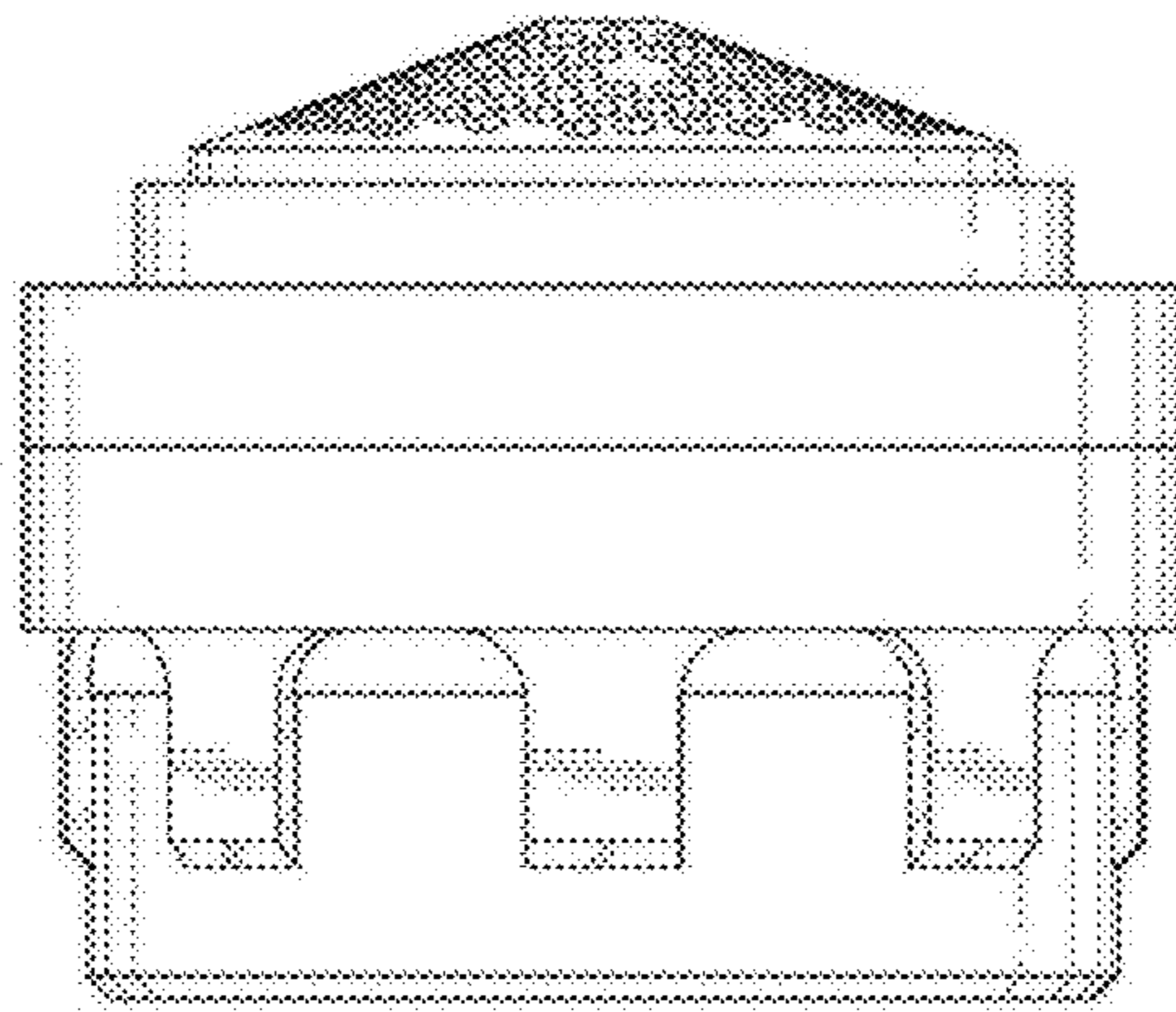


Fig. 5

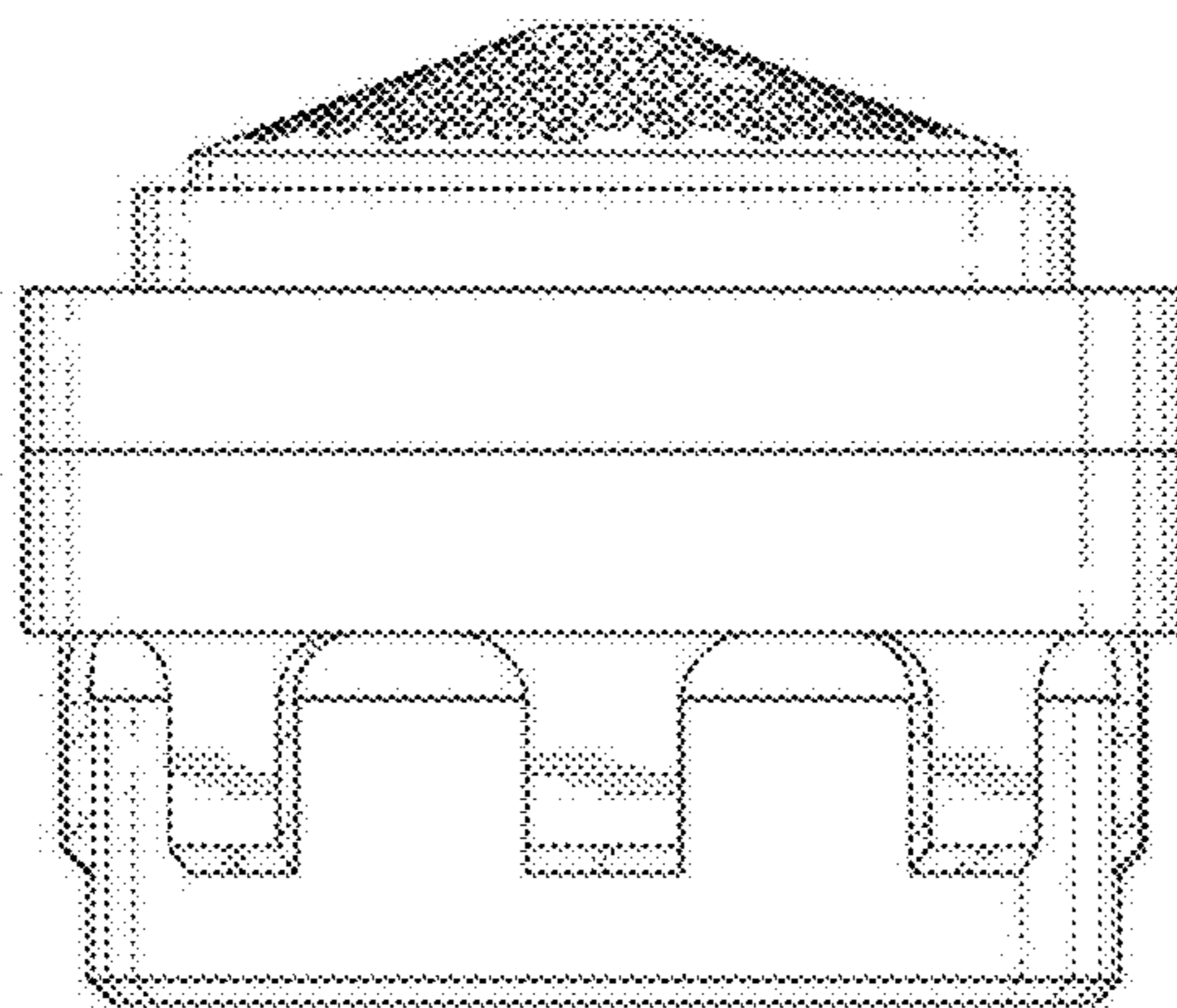


Fig. 6

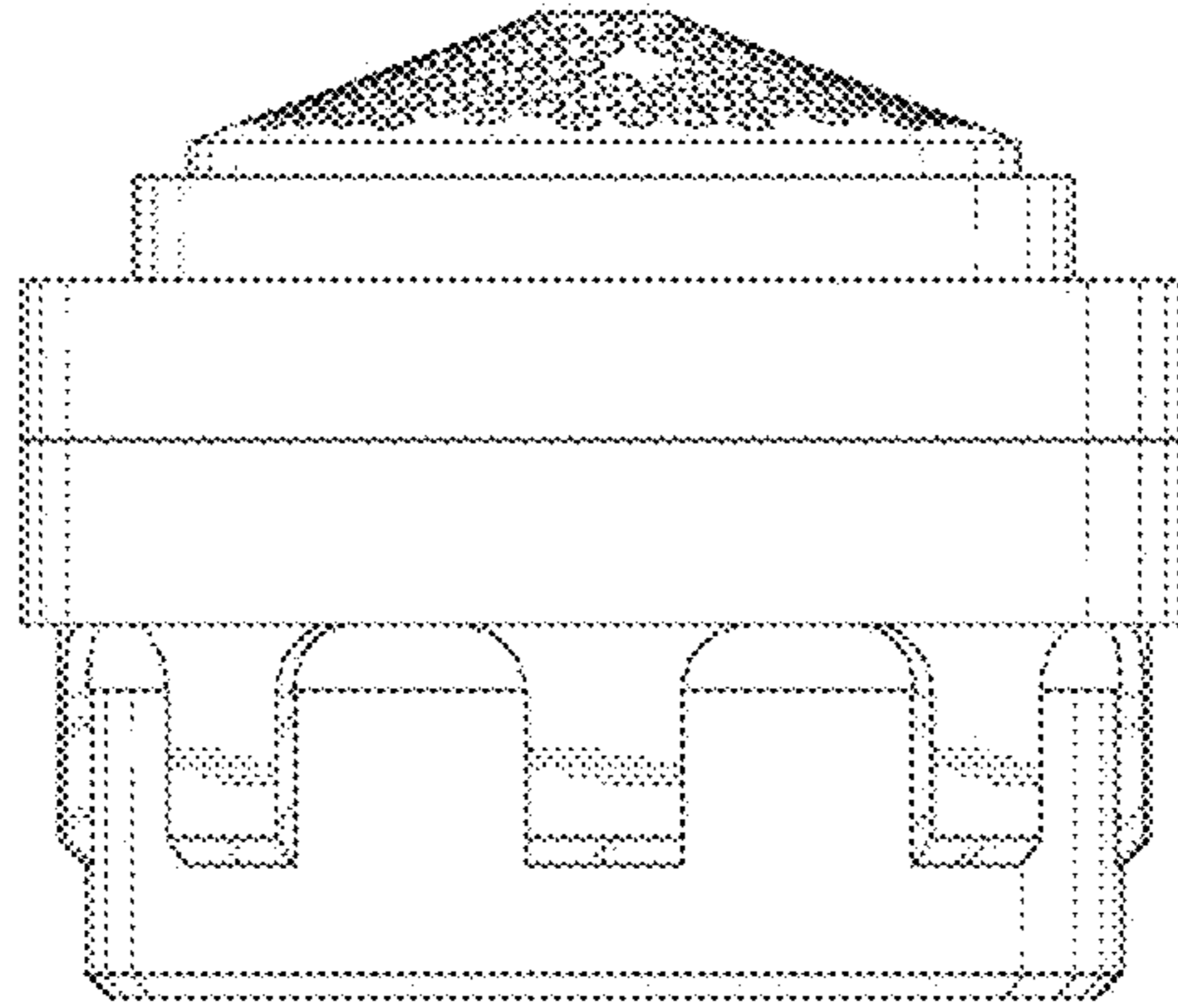


Fig. 7

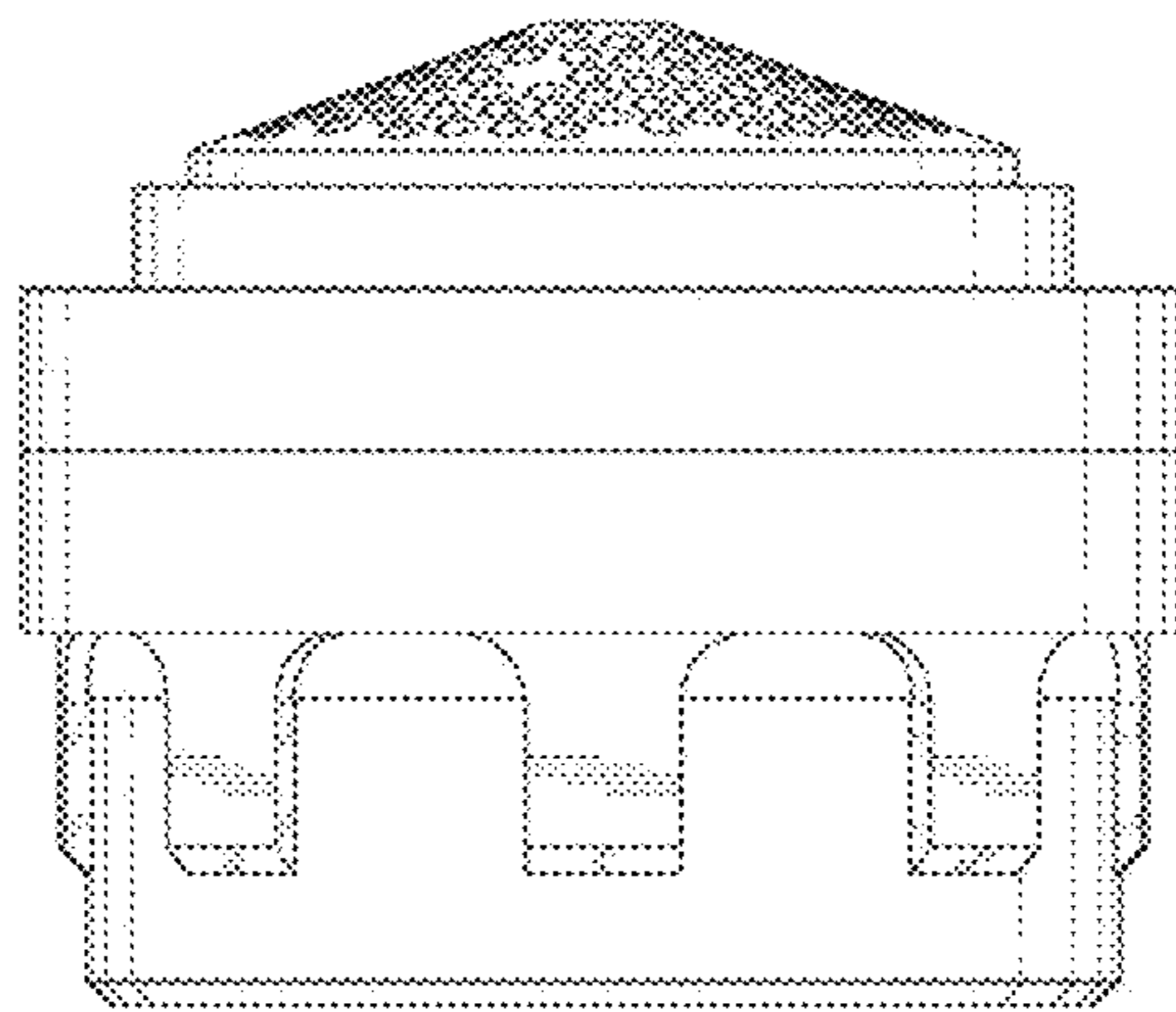


Fig. 8