



US00D844746S

(12) **United States Design Patent**
Peng

(10) **Patent No.:** **US D844,746 S**

(45) **Date of Patent:** **** *Apr. 2, 2019**

- (54) **FISHING ROD HOLDER**
- (71) Applicant: **I-Sin Peng**, Taichung (TW)
- (72) Inventor: **I-Sin Peng**, Taichung (TW)
- (73) Assignee: **I-Sin Peng**, Taichung (TW)

D461,521 S *	8/2002	Krueger	D22/147
D523,109 S *	6/2006	Palmer, Jr.	A01K 97/10
				D22/147
D604,946 S *	12/2009	Drake	D22/147
D727,457 S *	4/2015	Seiders	D22/147
D752,176 S *	3/2016	Johns	D22/147
D764,210 S *	8/2016	Peng	D6/552

(*) Notice: This patent is subject to a terminal disclaimer.

* cited by examiner

(**) Term: **15 Years**

Primary Examiner — Catherine R Oliver-Garcia

(21) Appl. No.: **29/604,179**

(57) **CLAIM**

The ornamental design for a fishing rod holder, as shown and described.

(22) Filed: **May 16, 2017**

DESCRIPTION

(51) **LOC (11) Cl.** **22-05**

(52) **U.S. Cl.**
USPC **D22/147**

(58) **Field of Classification Search**
USPC D22/147; D3/221; 43/21.2; 211/70.1,
211/70.2, 70.8; 248/156, 516–519, 530,
248/533, 538, 512; 224/406, 557, 566,
224/571, 922; D6/552

FIG. 1 is a front perspective view of a fishing rod holder showing my new design;
 FIG. 2 is a front elevation view of the fishing rod holder;
 FIG. 3 is a rear elevation view of the fishing rod holder;
 FIG. 4 is a left-side elevation view of the fishing rod holder;
 FIG. 5 is a right-side elevation view of the fishing rod holder;
 FIG. 6 is a top plan view of the fishing rod holder;
 FIG. 7 is a bottom plan view of the fishing rod holder;
 FIG. 8 is a rear perspective view of the fishing rod holder;
 and,
 FIG. 9 is a perspective view of multiple fishing rod holders arranged at one side of a ship.

CPC A01K 97/10; A01K 97/12; A01K 97/125;
A01K 99/00; A47F 7/0021

See application file for complete search history.

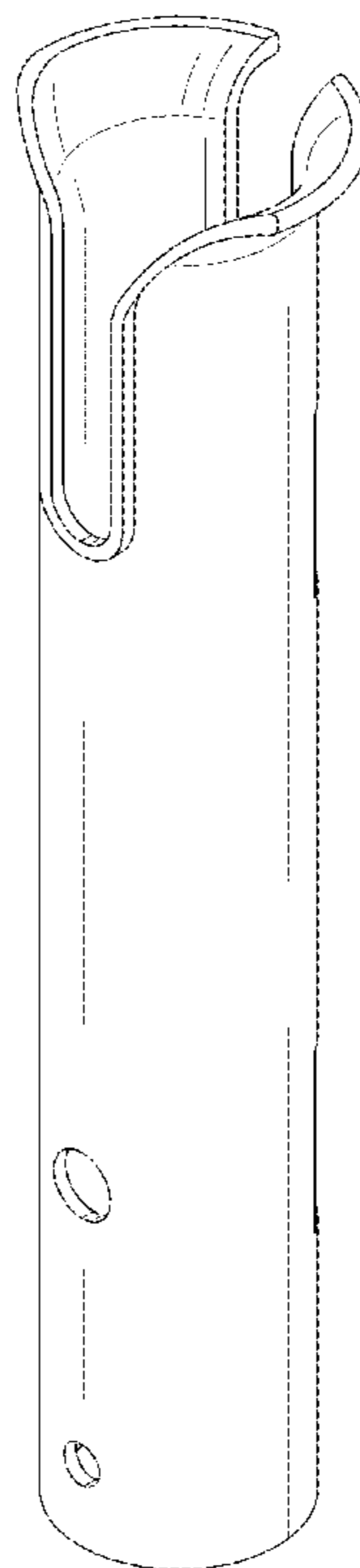
The broken line showing of structural features is included for the purpose of illustrating non-claim subject matter and forms no part of the claimed design.

(56) **References Cited**

U.S. PATENT DOCUMENTS

4,871,099 A *	10/1989	Bogar, Jr.	A01K 97/10
				211/70.8
5,625,974 A *	5/1997	Demaiio	A01K 97/10
				248/538

1 Claim, 9 Drawing Sheets



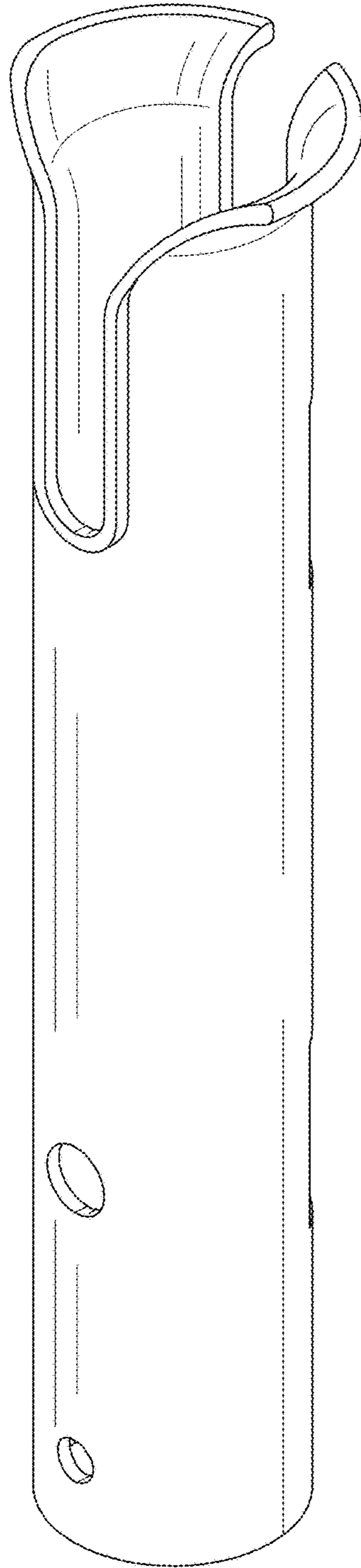


FIG. 1

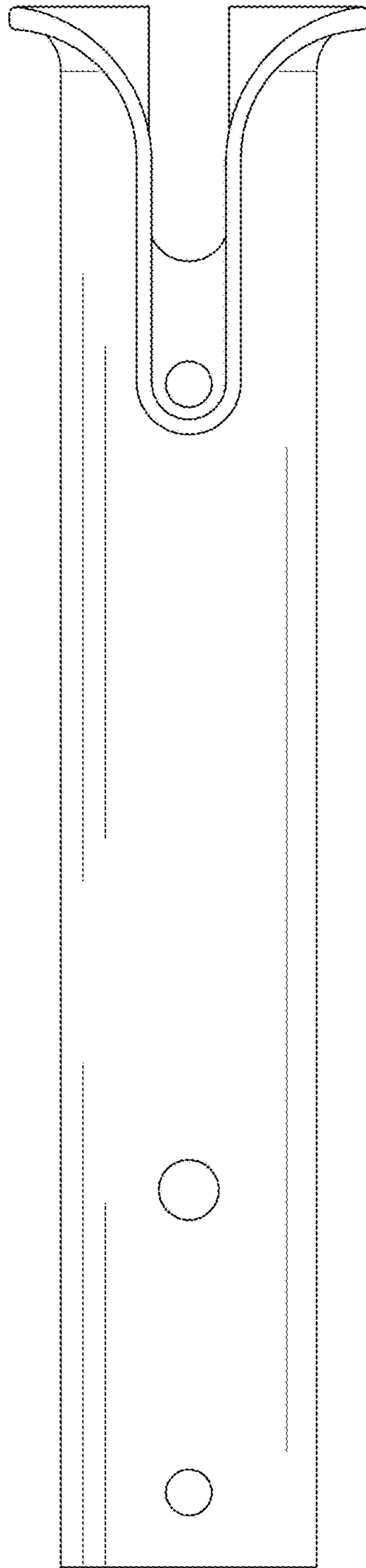


FIG. 2

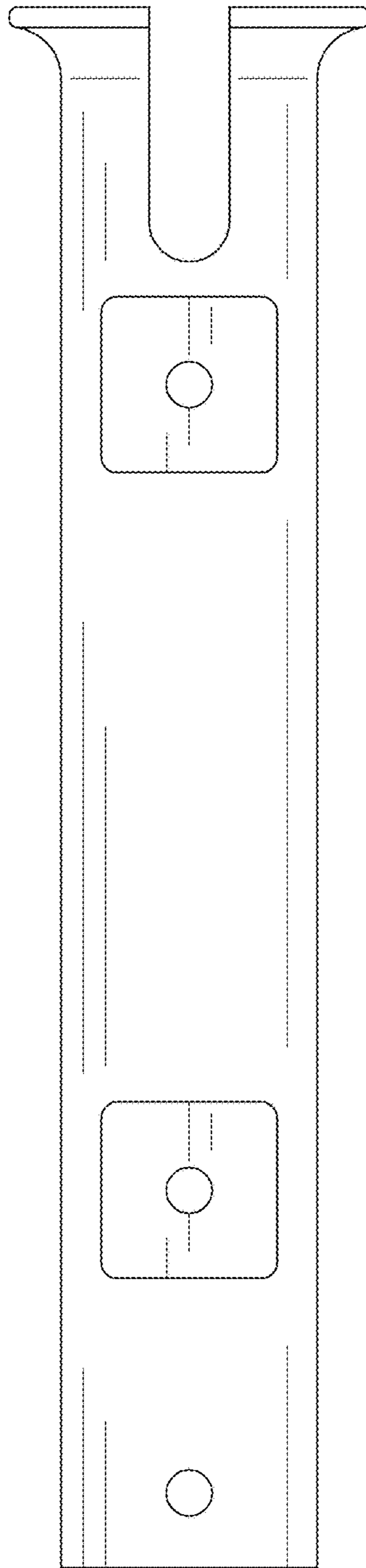


FIG. 3

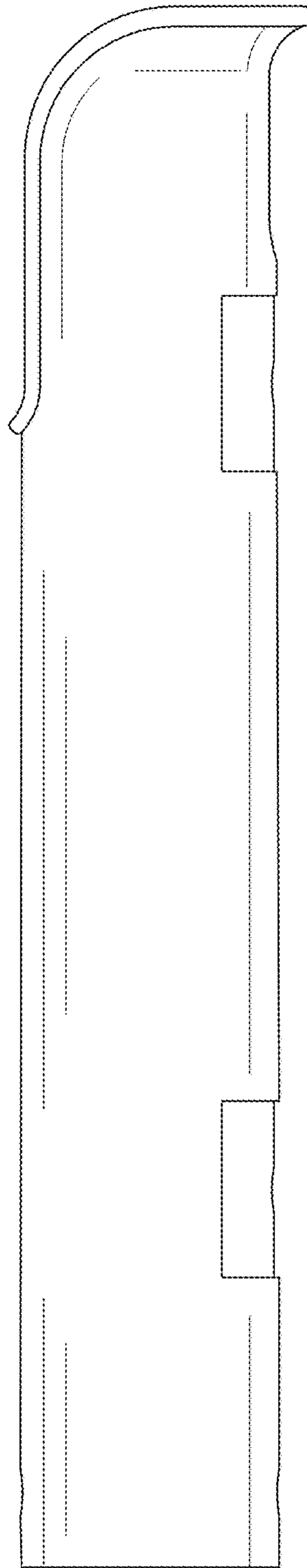


FIG. 4

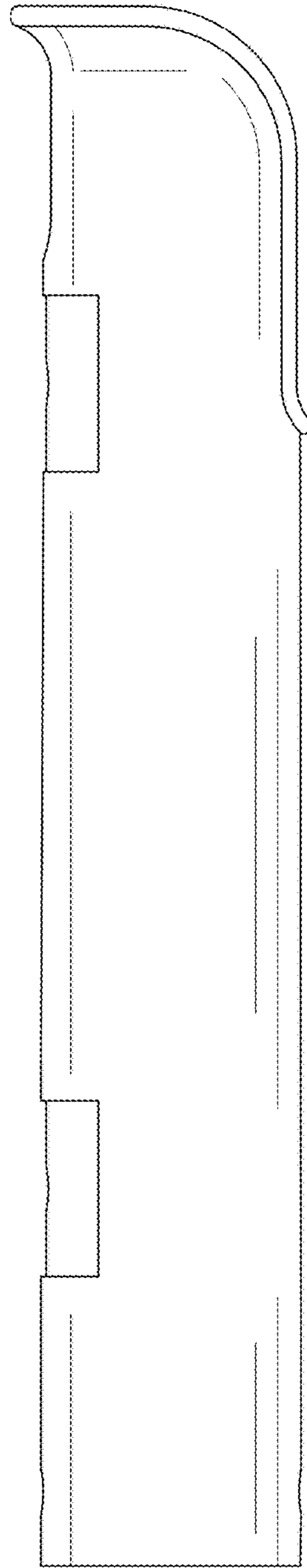


FIG. 5

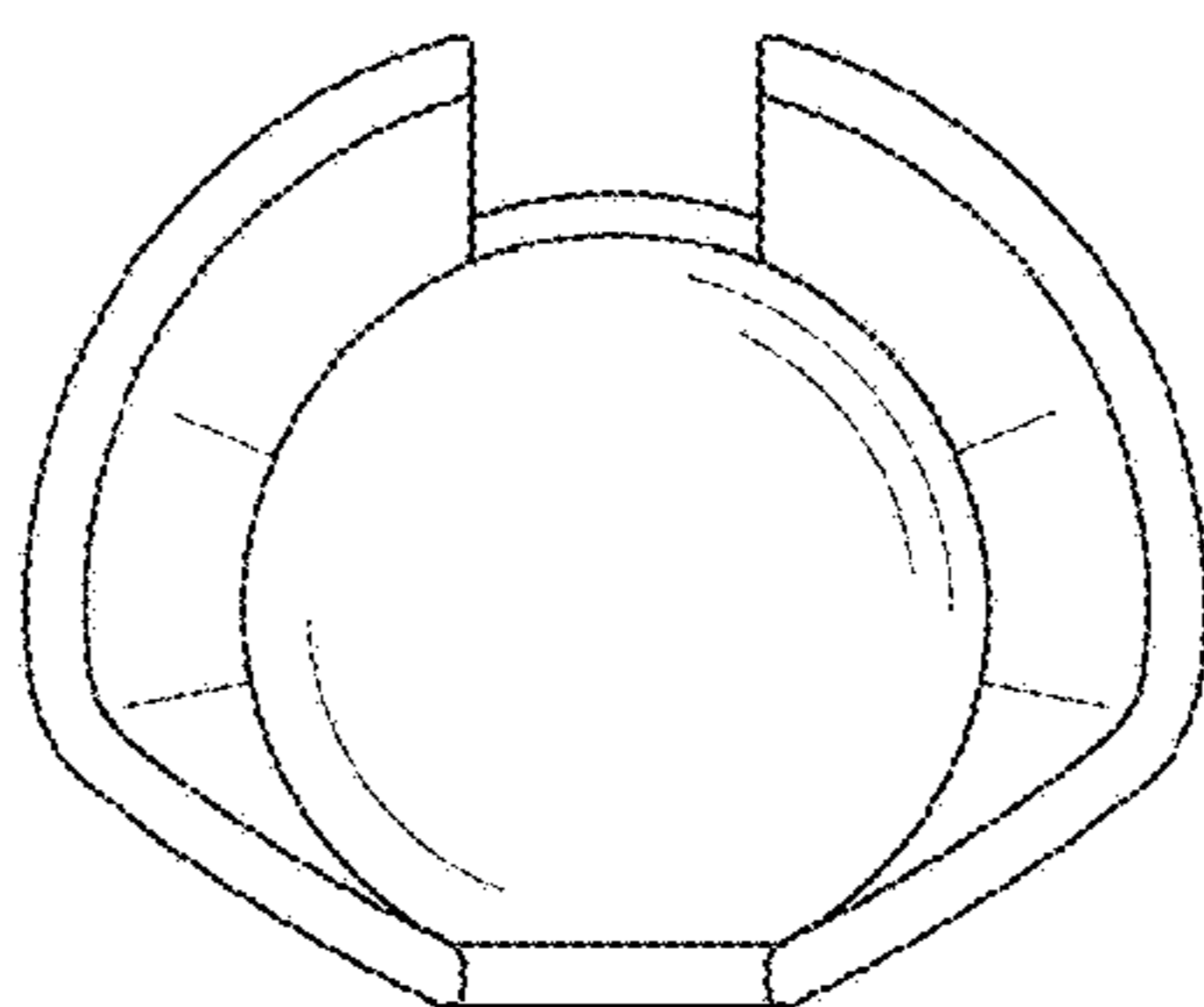


FIG. 6

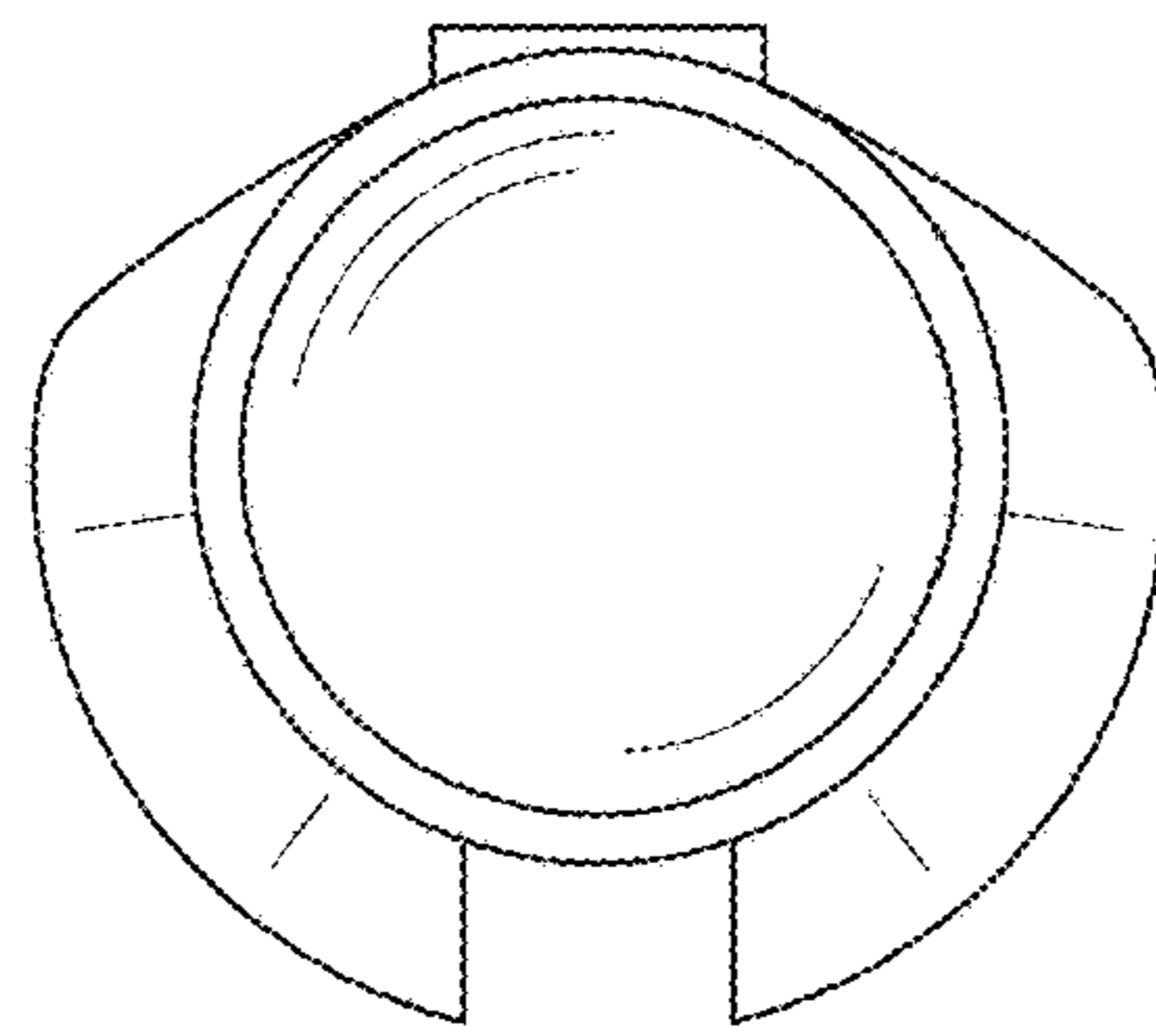


FIG. 7

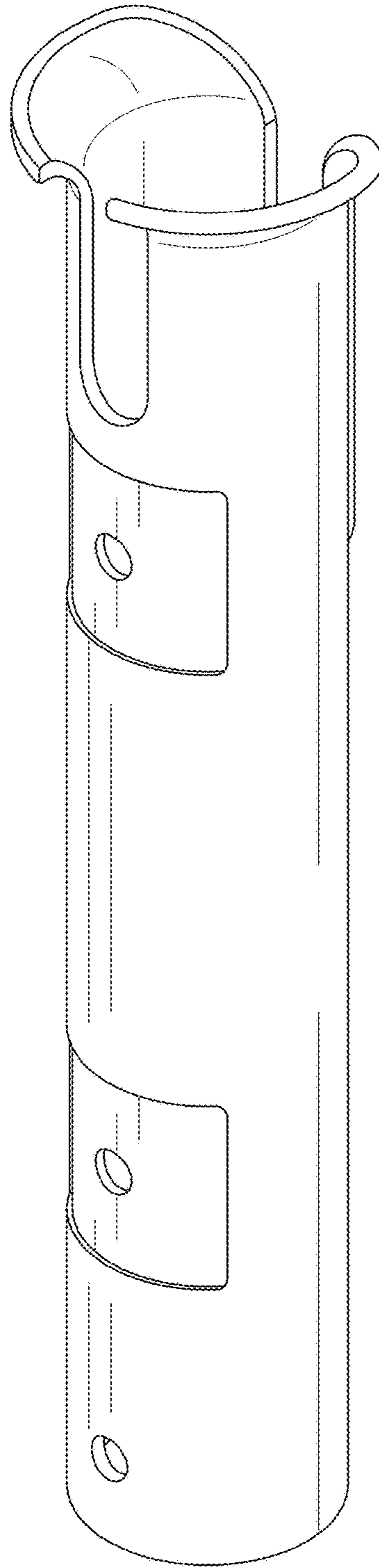


FIG. 8

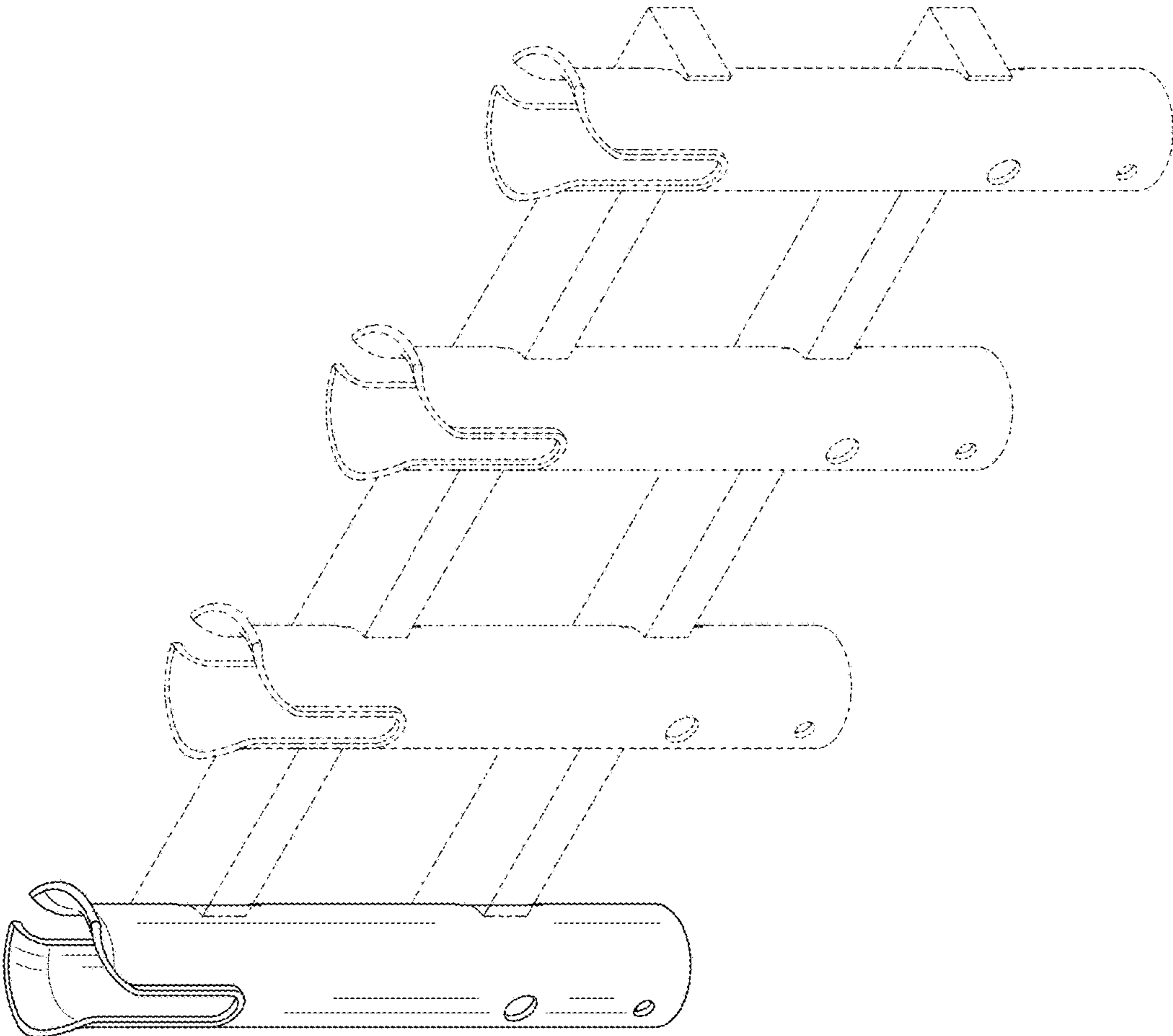


FIG. 9