



US00D844745S

(12) **United States Design Patent** (10) **Patent No.:** **US D844,745 S**
Ceccarelli (45) **Date of Patent:** **** Apr. 2, 2019**

(54) **FISHING SINKER**

(71) Applicant: **Charles J Ceccarelli**, Mountain Home, ID (US)

(72) Inventor: **Charles J Ceccarelli**, Mountain Home, ID (US)

(**) Term: **15 Years**

(21) Appl. No.: **29/613,912**

(22) Filed: **Aug. 14, 2017**

(51) **LOC (11) Cl.** **22-05**

(52) **U.S. Cl.**
USPC **D22/145**

(58) **Field of Classification Search**
USPC D22/145-146; 206/493; 294/158;
348/207.99, 298; 43/43.11, 43.12, 43.14,
(Continued)

(56) **References Cited**

U.S. PATENT DOCUMENTS

290,154 A * 12/1883 Vidal, Jr. A01K 93/00
43/43.1
565,030 A * 8/1896 Quinan A01K 93/00
43/43.14

(Continued)

Primary Examiner — Catherine R Oliver-Garcia

(74) *Attorney, Agent, or Firm* — Charles R. Clark

(57) **CLAIM**

I claim the ornamental design for a fishing sinker, as shown and described.

DESCRIPTION

FIG. 1 is a top perspective view of a fishing sinker showing my new design;

FIG. 2 is a front view of the fishing sinker of FIG. 1, the opposite rear being a mirror image of that shown;

FIG. 3 is a side view of the fishing sinker of FIG. 1, the opposite side being a mirror image of that shown;

FIG. 4 is a top view of the fishing sinker of FIG. 1;

FIG. 5 is a bottom view of the fishing sinker of FIG. 1;

FIG. 6 is a top perspective view of an alternative second embodiment of a fishing sinker;

FIG. 7 is a front view of the fishing sinker of FIG. 6, the opposite rear being a mirror image of that shown;

FIG. 8 is a side view of the fishing sinker of FIG. 6, the opposite side being a mirror image of that shown;

FIG. 9 is a top view of the fishing sinker of FIG. 6;

FIG. 10 is a bottom view of the fishing sinker of FIG. 6;

FIG. 11 is a top perspective view of an alternative third embodiment of a fishing sinker;

FIG. 12 is a front view of the fishing sinker of FIG. 11, the opposite rear being a mirror image of that shown;

FIG. 13 is a side view of the fishing sinker of FIG. 11, the opposite side being a mirror image of that shown;

FIG. 14 is a top view of the fishing sinker of FIG. 11;

FIG. 15 is a bottom view of the fishing sinker of FIG. 11;

FIG. 16 is a top perspective view of an alternative fourth embodiment of a fishing sinker;

FIG. 17 is a front view of the fishing sinker of FIG. 16, the opposite rear being a mirror image of that shown;

FIG. 18 is a side view of the fishing sinker of FIG. 16, the opposite side being a mirror image of that shown;

FIG. 19 is a top view of the fishing sinker of FIG. 16;

FIG. 20 is a bottom view of the fishing sinker of FIG. 16;

FIG. 21 is a top perspective view of an alternative fifth embodiment of a fishing sinker;

FIG. 22 is a front view of the fishing sinker of FIG. 21, the opposite rear being a mirror image of that shown;

FIG. 23 is a side view of the fishing sinker of FIG. 21, the opposite side being a mirror image of that shown;

FIG. 24 is a top view of the fishing sinker of FIG. 21;

FIG. 25 is a bottom view of the fishing sinker of FIG. 21;

FIG. 26 is a top perspective view of an alternative sixth embodiment of a fishing sinker;

FIG. 27 is a front view of the fishing sinker of FIG. 26, the opposite rear being a mirror image of that shown;

FIG. 28 is a side view of the fishing sinker of FIG. 26, the opposite side being a mirror image of that shown;

FIG. 29 is a top view of the fishing sinker of FIG. 26;

(Continued)

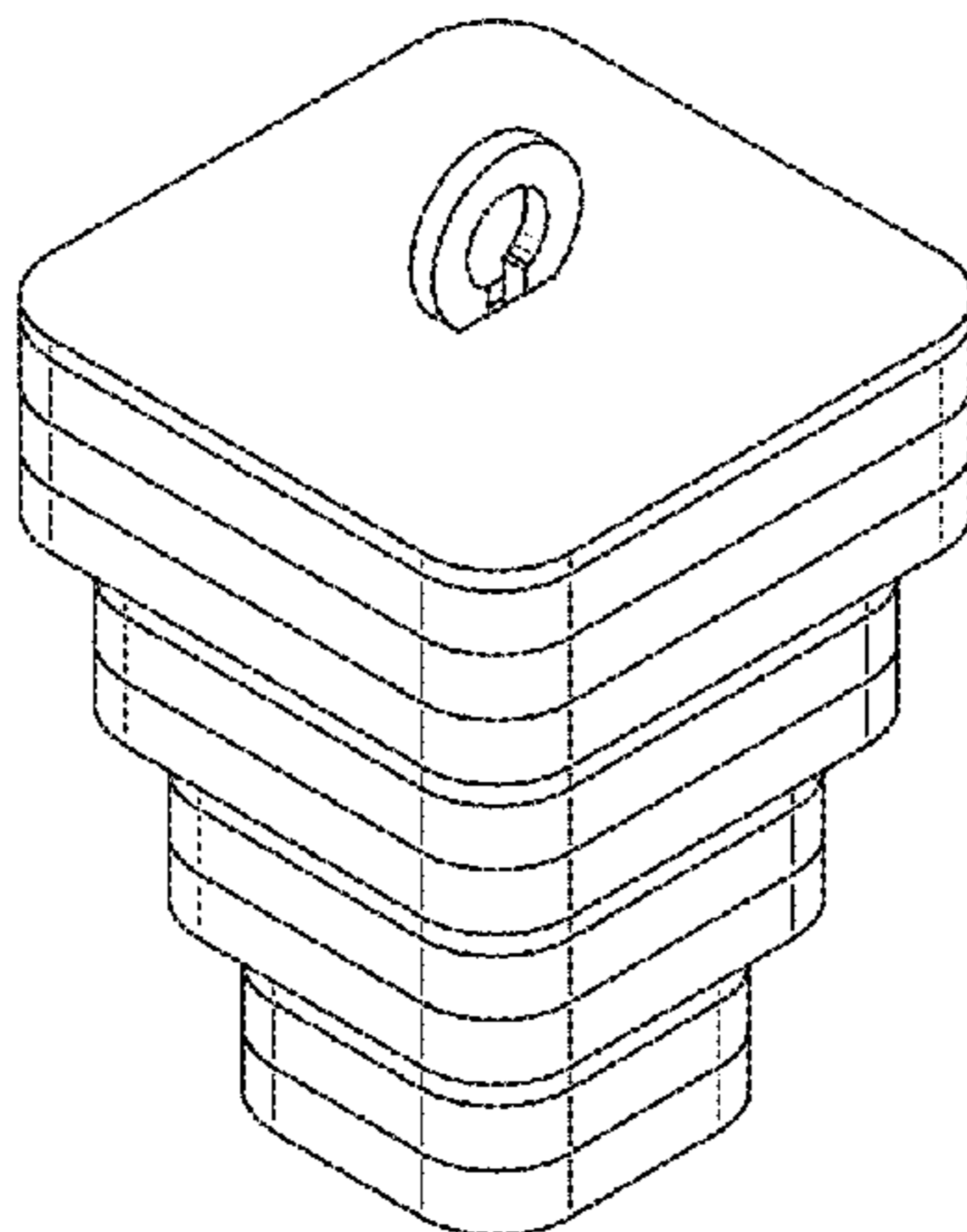


FIG. 30 is a bottom view of the fishing sinker of FIG. 26;
 FIG. 31 is a top perspective view of an alternative seventh embodiment of a fishing sinker;
 FIG. 32 is a front view of the fishing sinker of FIG. 31, the opposite rear being a mirror image of that shown;
 FIG. 33 is a side view of the fishing sinker of FIG. 31, the opposite side being a mirror image of that shown;
 FIG. 34 is a top view of the fishing sinker of FIG. 31;
 FIG. 35 is a bottom view of the fishing sinker of FIG. 31;
 FIG. 36 is a top perspective view of an alternative eighth embodiment of a fishing sinker;
 FIG. 37 is a front view of the fishing sinker of FIG. 36, the opposite rear being a mirror image of that shown;
 FIG. 38 is a side view of the fishing sinker of FIG. 36, the opposite side being a mirror image of that shown;
 FIG. 39 is a top view of the fishing sinker of FIG. 36;
 FIG. 40 is a bottom view of the fishing sinker of FIG. 36;
 FIG. 41 is a top perspective view of an alternative ninth embodiment of a fishing sinker;
 FIG. 42 is a front view of the fishing sinker of FIG. 41, the opposite rear being a mirror image of that shown;
 FIG. 43 is a side view of the fishing sinker of FIG. 41, the opposite side being a mirror image of that shown;
 FIG. 44 is a top view of the fishing sinker of FIG. 41;
 FIG. 45 is a bottom view of the fishing sinker of FIG. 41;
 FIG. 46 is a top perspective view of an alternative tenth embodiment of a fishing sinker;
 FIG. 47 is a front view of the fishing sinker of FIG. 46, the opposite rear being a mirror image of that shown;
 FIG. 48 is a side view of the fishing sinker of FIG. 46, the opposite side being a mirror image of that shown;
 FIG. 49 is a top view of the fishing sinker of FIG. 46;
 FIG. 50 is a bottom view of the fishing sinker of FIG. 46;
 FIG. 51 is a top perspective view of an alternative eleventh embodiment of a fishing sinker;
 FIG. 52 is a front view of the fishing sinker of FIG. 51, the opposite rear being a mirror image of that shown;
 FIG. 53 is a side view of the fishing sinker of FIG. 51, the opposite side being a mirror image of that shown;
 FIG. 54 is a top view of the fishing sinker of FIG. 51;

FIG. 55 is a bottom view of the fishing sinker of FIG. 51;
 FIG. 56 is a top perspective view of an alternative twelfth embodiment of a fishing sinker;
 FIG. 57 is a front view of the fishing sinker of FIG. 56, the opposite rear being a mirror image of that shown;
 FIG. 58 is a side view of the fishing sinker of FIG. 56, the opposite side being a mirror image of that shown;
 FIG. 59 is a top view of the fishing sinker of FIG. 56; and,
 FIG. 60 is a bottom view of the fishing sinker of FIG. 56.

1 Claim, 12 Drawing Sheets

(58) **Field of Classification Search**

USPC 43/44.83, 42, 17, 42.74, 42.49, 44.96,
 43/42.39, 1
 CPC A01K 85/00; A01K 93/00; A01K 95/00;
 H04N 5/225; B65G 7/12; B63B 22/00
 See application file for complete search history.

(56) **References Cited**

U.S. PATENT DOCUMENTS

1,320,604	A *	11/1919	Dame	B63B 22/00
					43/43.14
1,560,938	A *	11/1925	Lund	B65G 7/12
					43/43.14
3,180,052	A *	4/1965	Malesko	A01K 95/00
					43/43.12
3,195,262	A *	7/1965	Metzler	A01K 95/00
					43/43.12
5,493,332	A *	2/1996	Dalton	H04N 5/225
					348/207.99
D401,666	S *	11/1998	Lee	D22/145
D401,997	S *	12/1998	Lee	D22/145
7,621,072	B2 *	11/2009	Brasseur	A01K 95/00
					43/42.34
7,913,445	B2 *	3/2011	St. Germain	A01K 93/00
					43/42.22
D754,281	S *	4/2016	Riley	A01K 95/00
					D22/145

* cited by examiner

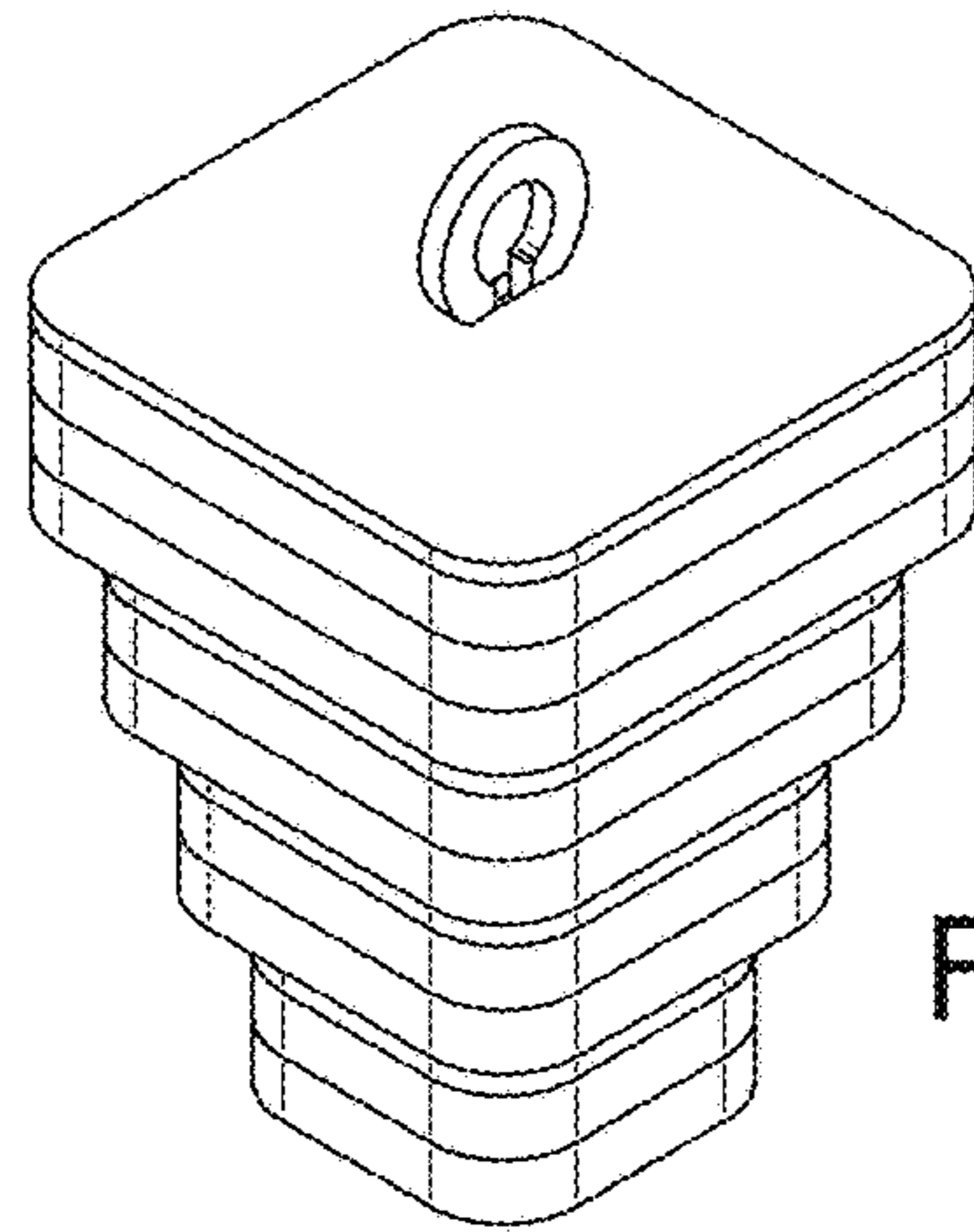


FIG. 1

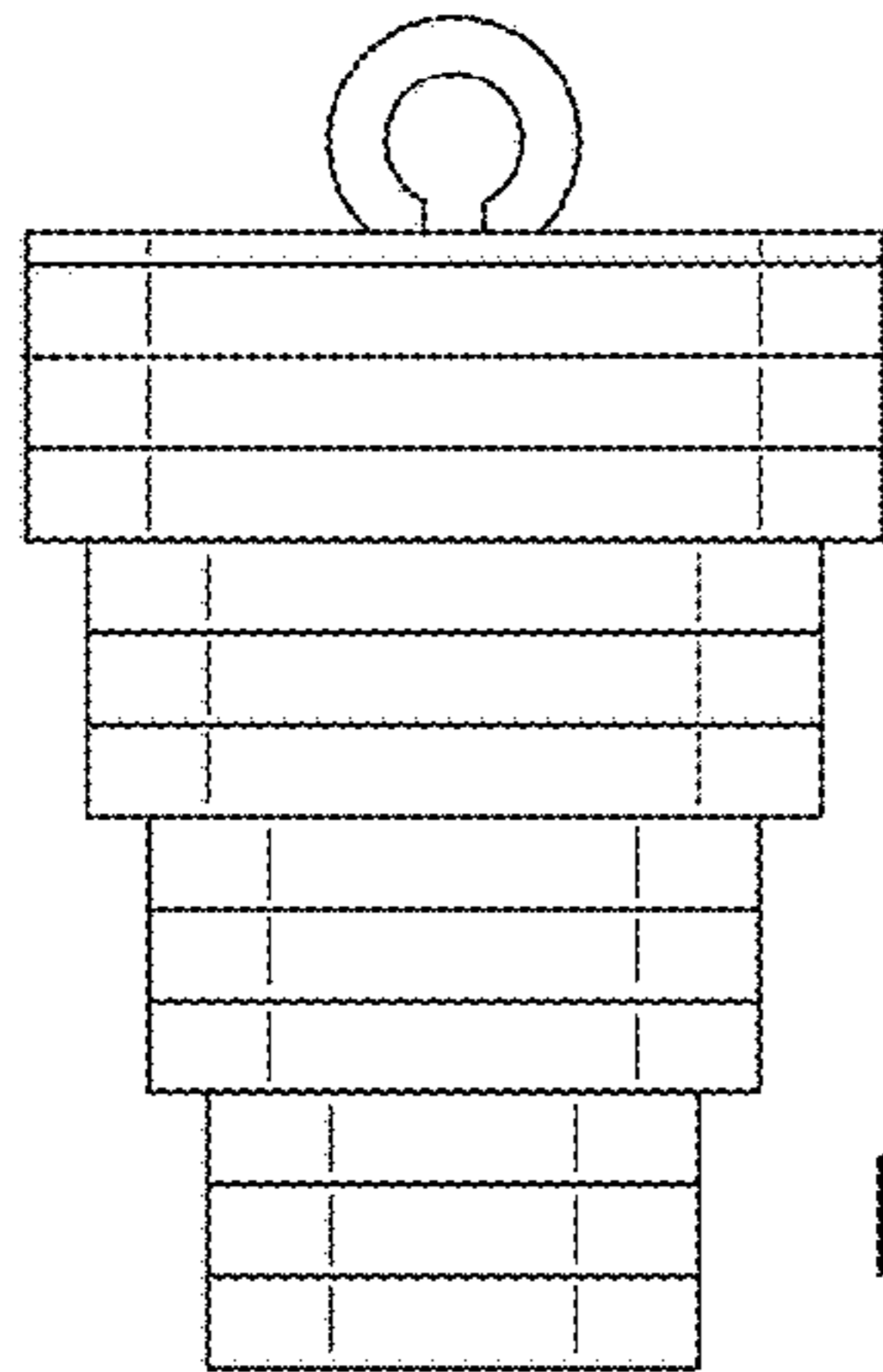


FIG. 2

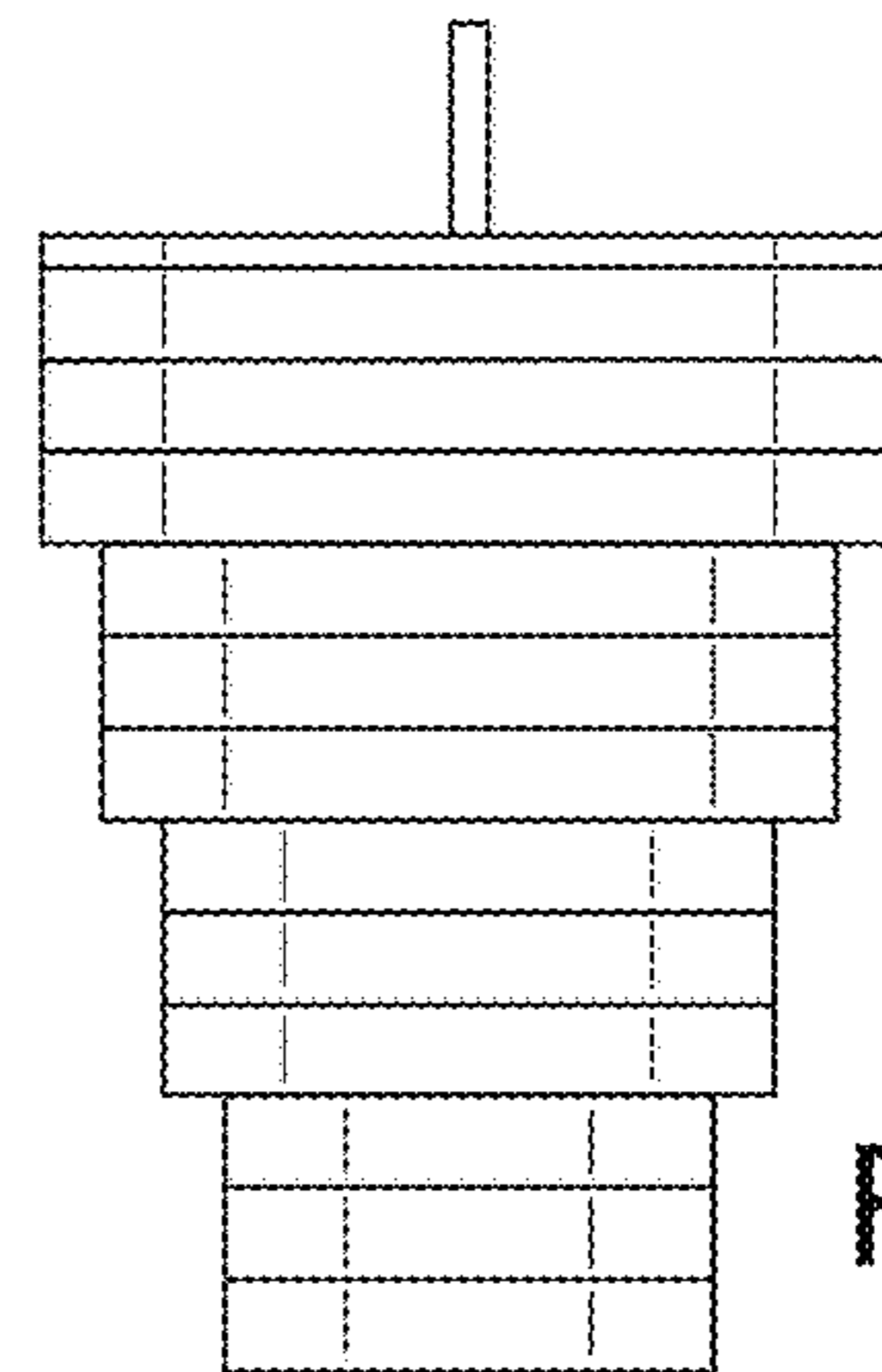


FIG. 3

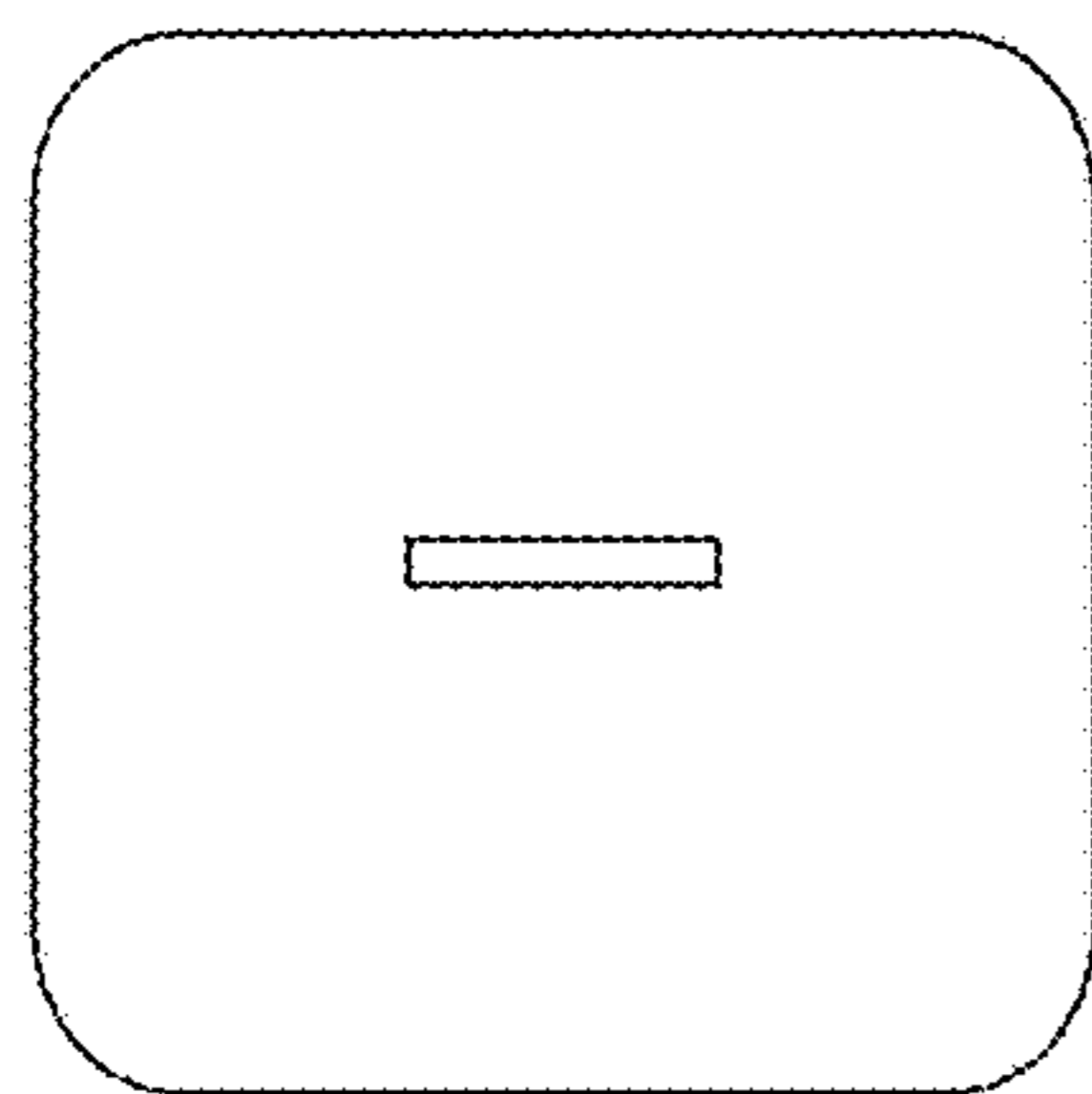


FIG. 4

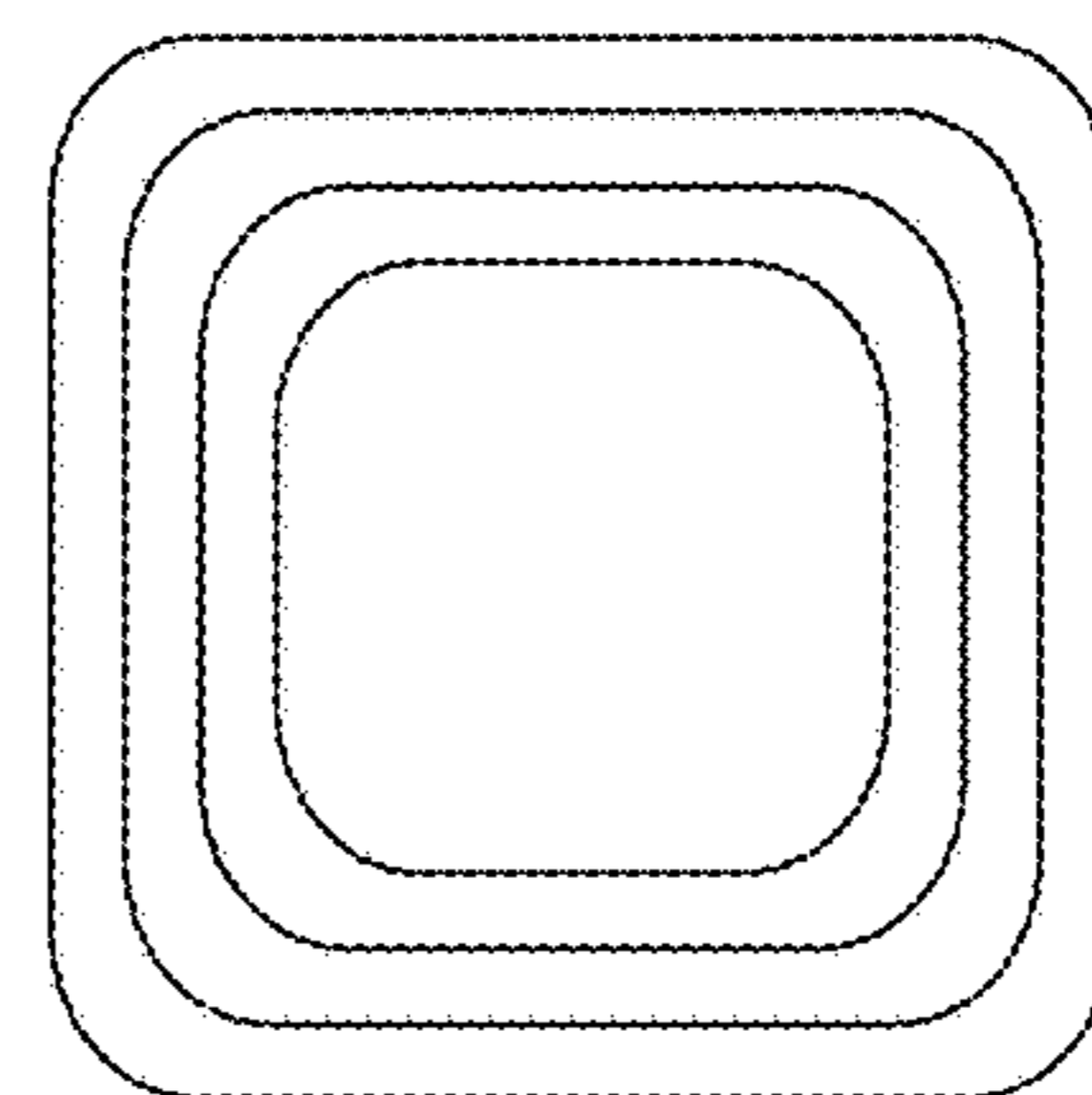


FIG. 5

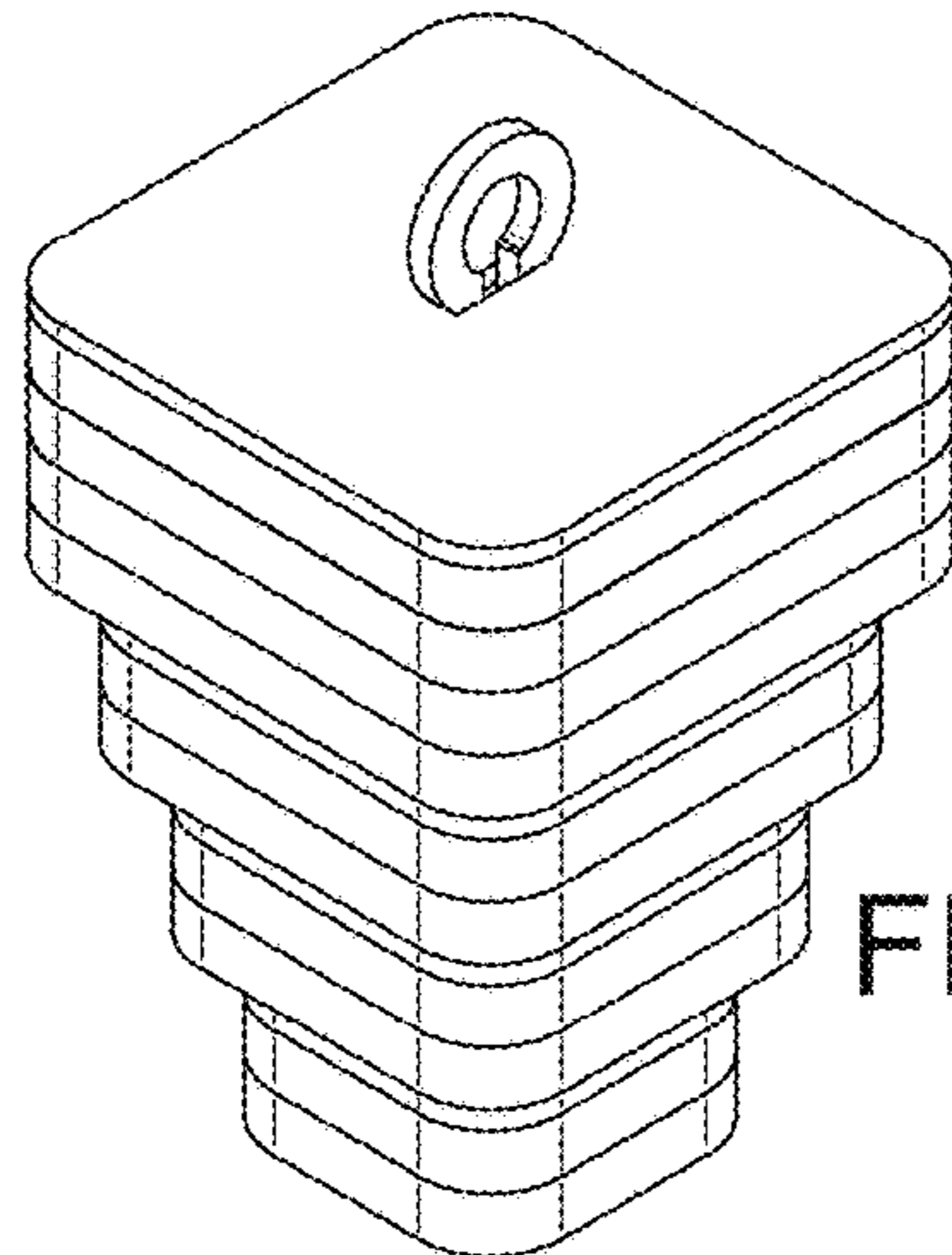


FIG. 6

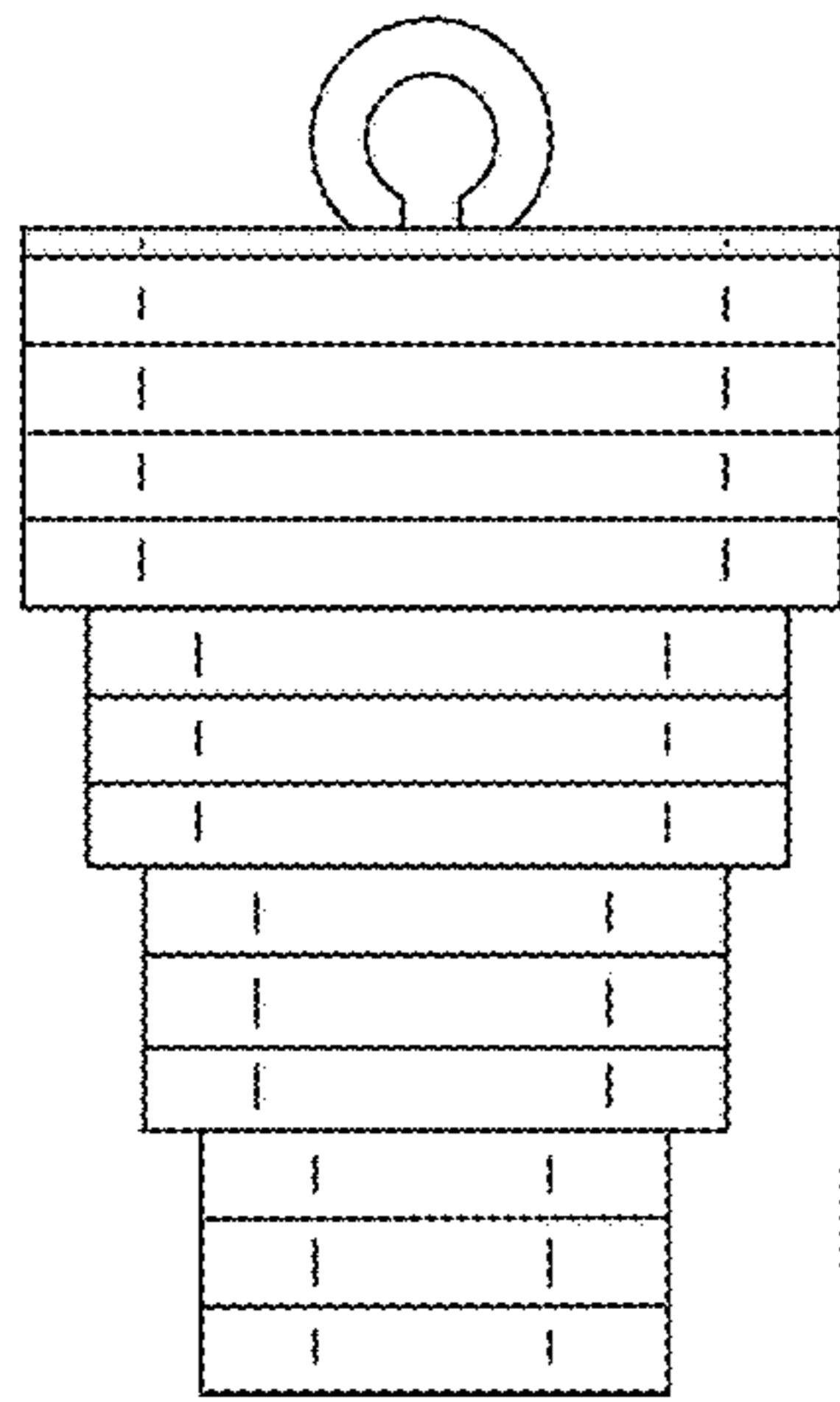


FIG. 7

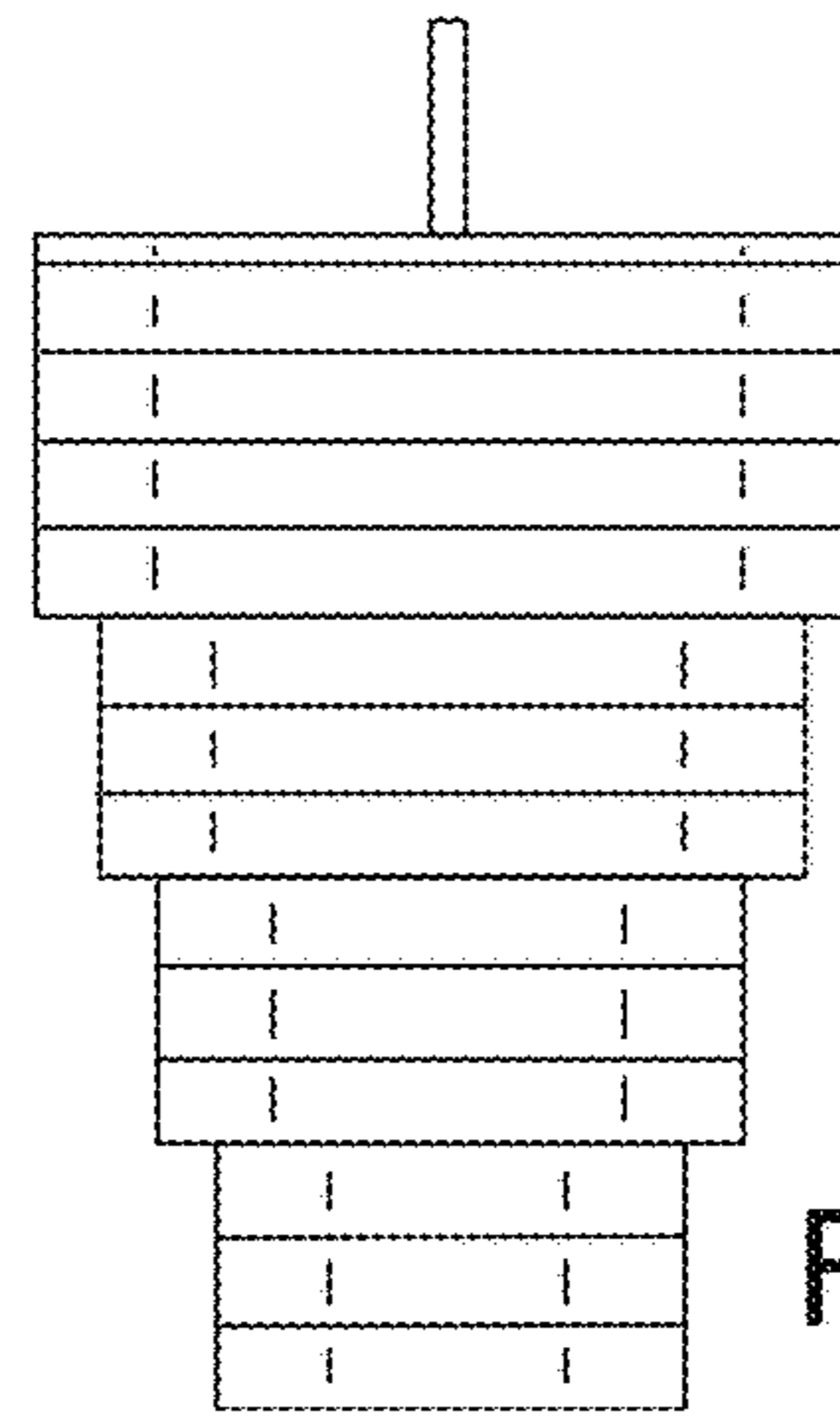


FIG. 8

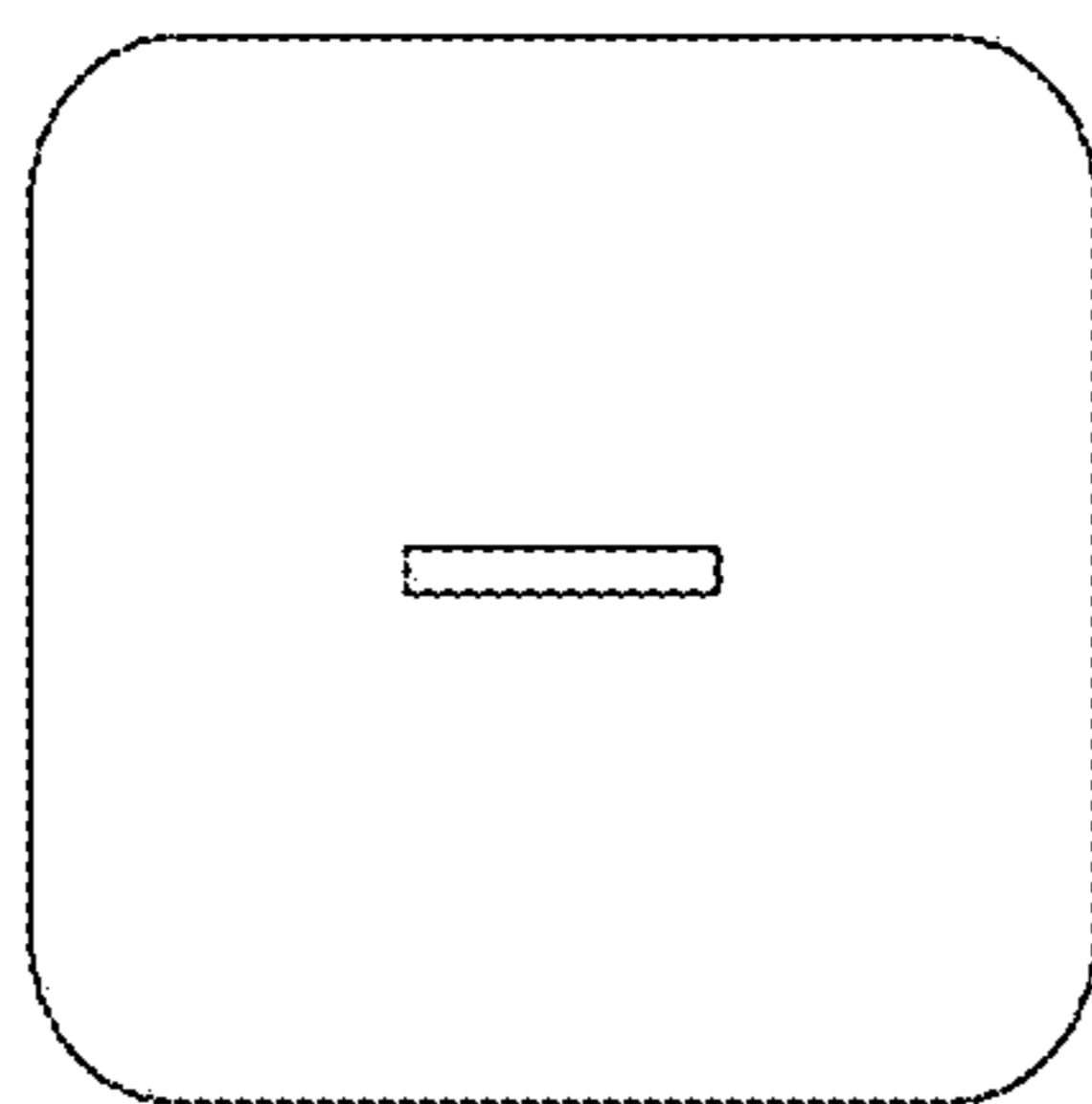


FIG. 9

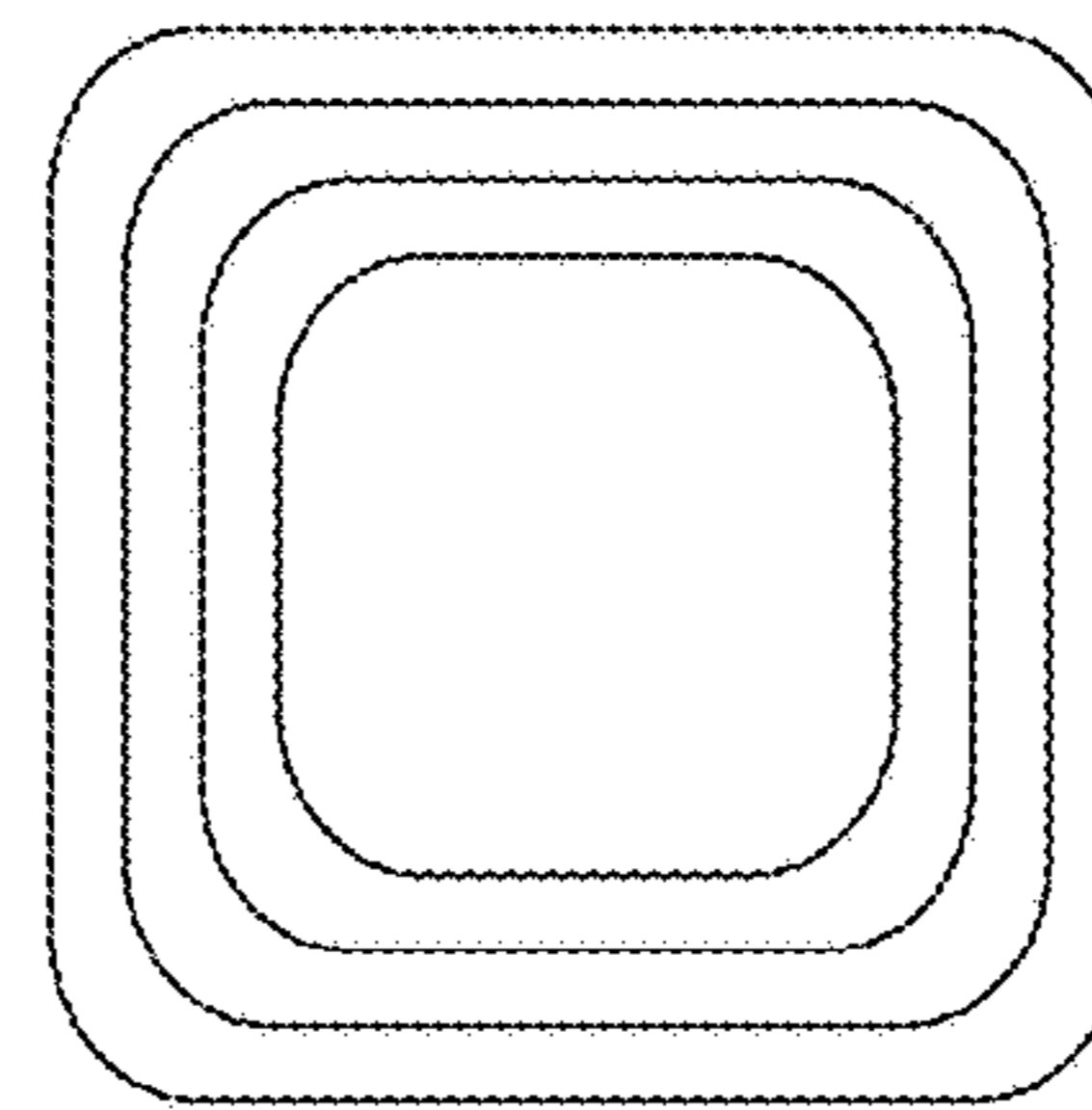


FIG. 10

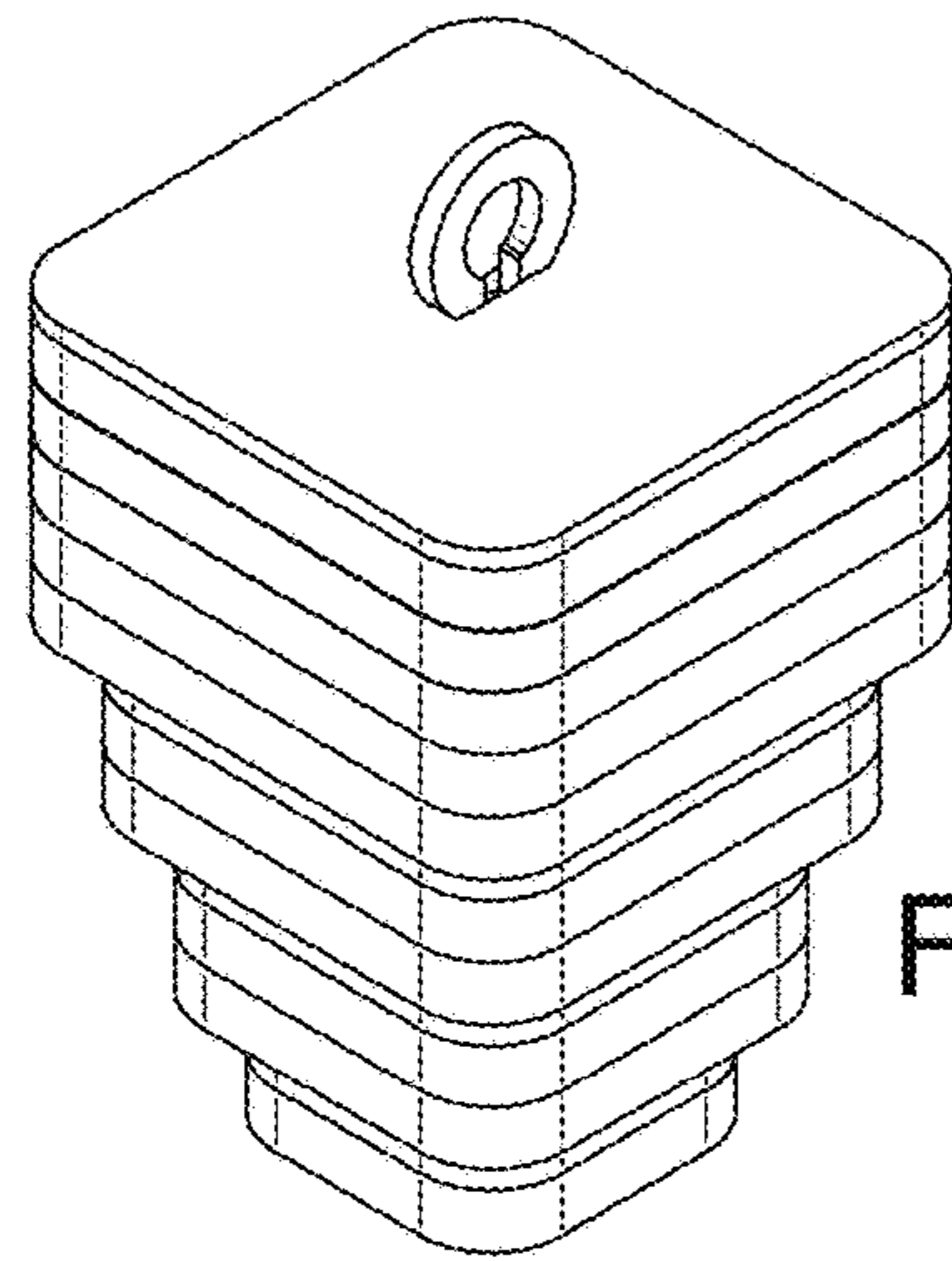


FIG. 11

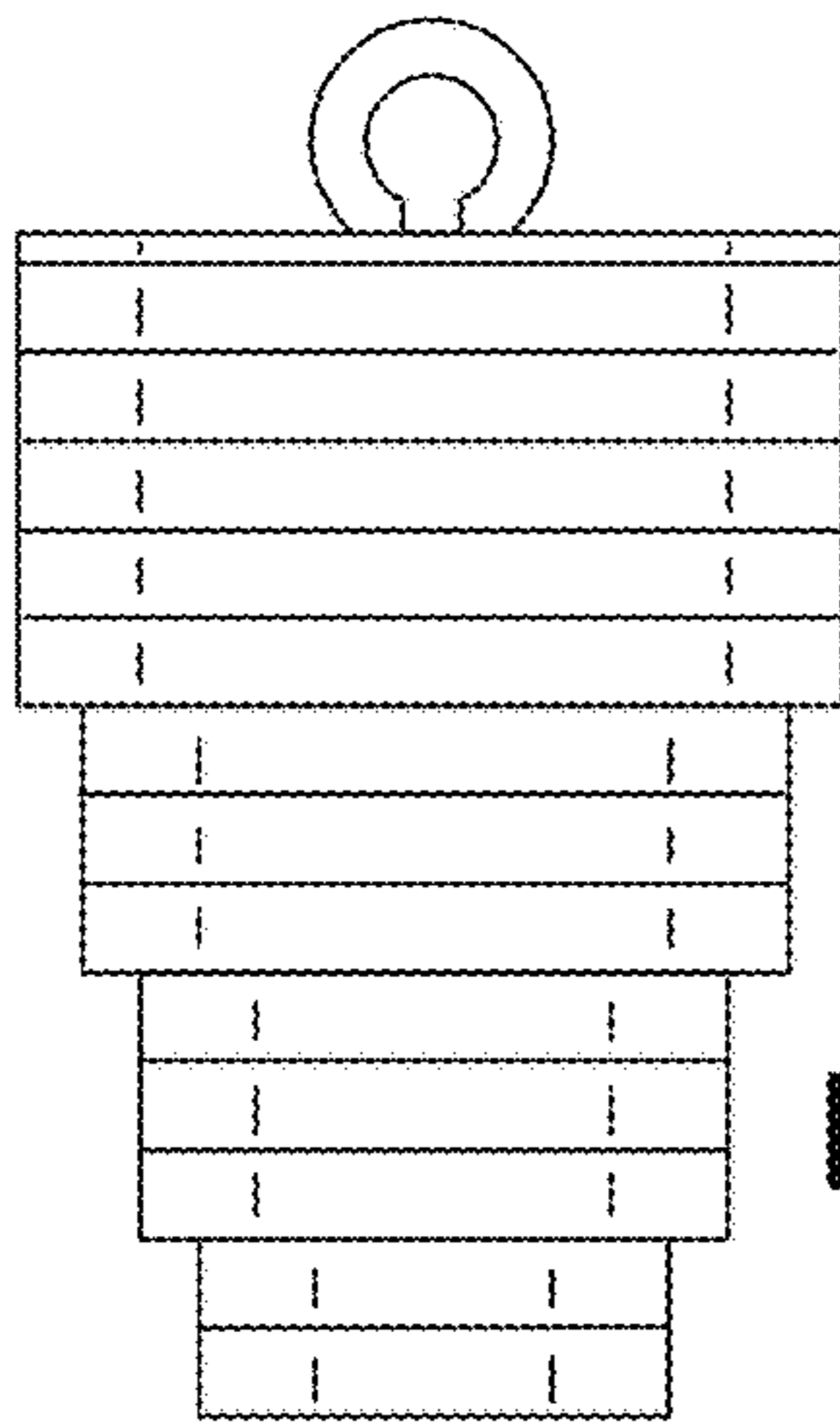


FIG. 12

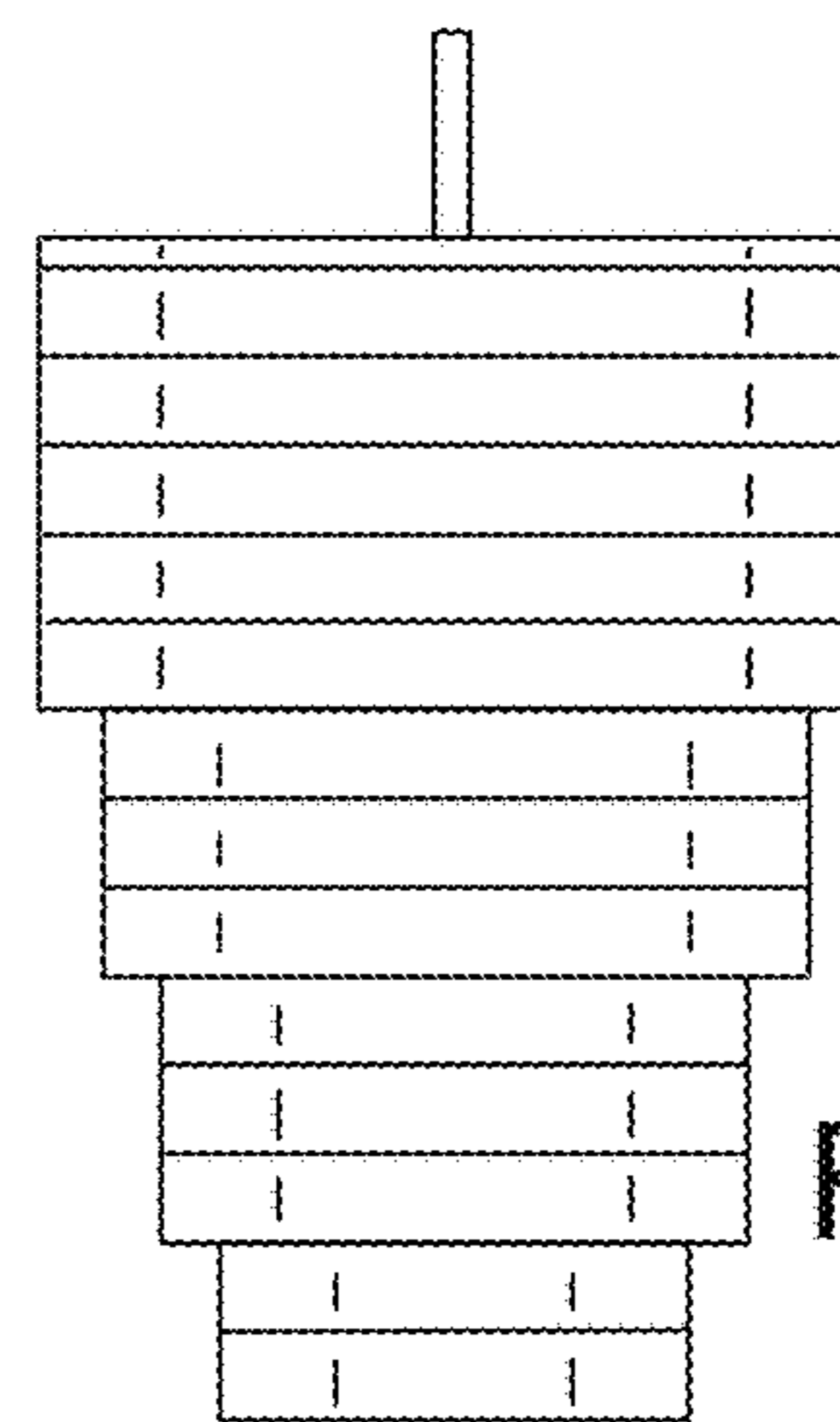


FIG. 13

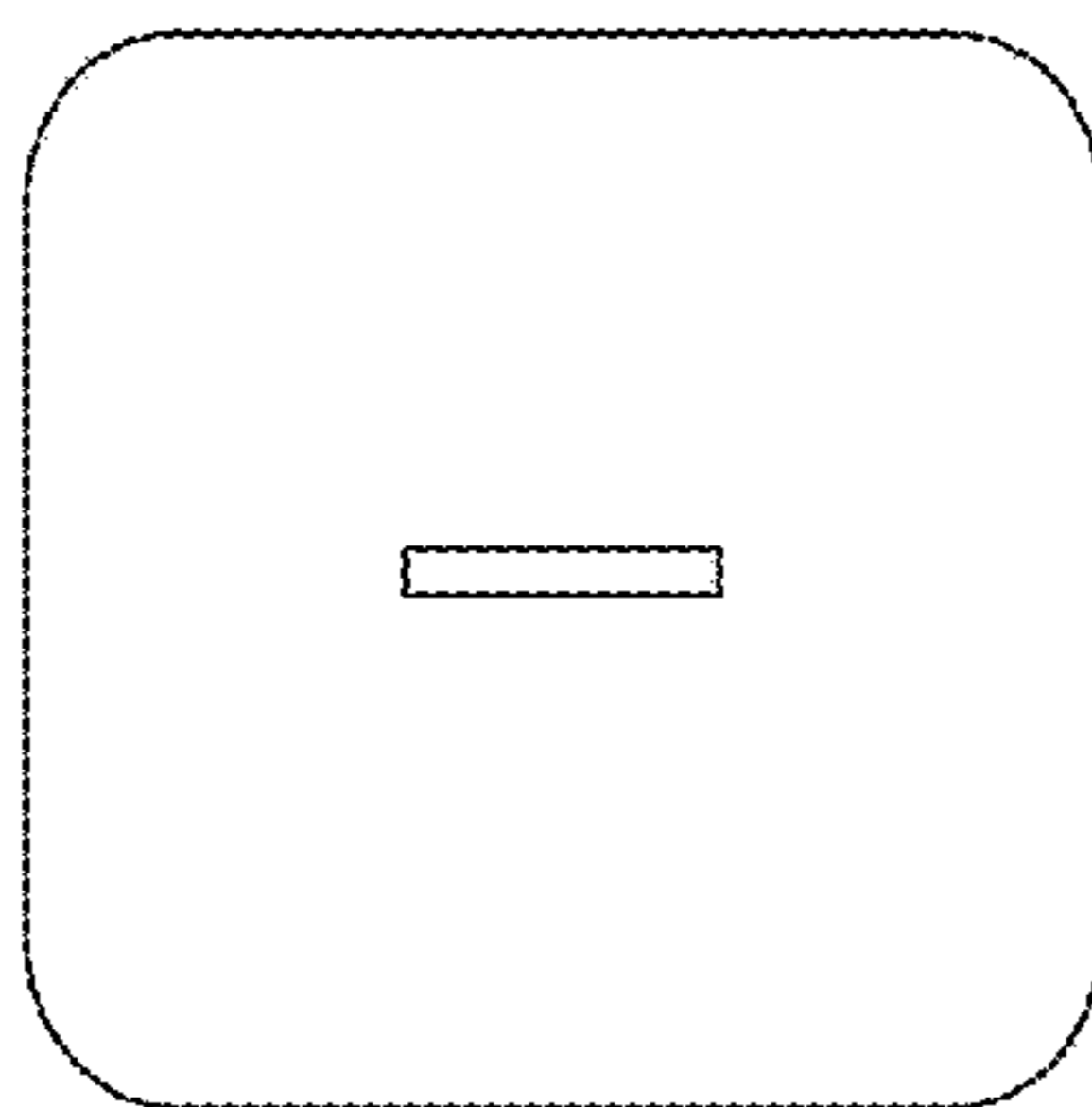


FIG. 14

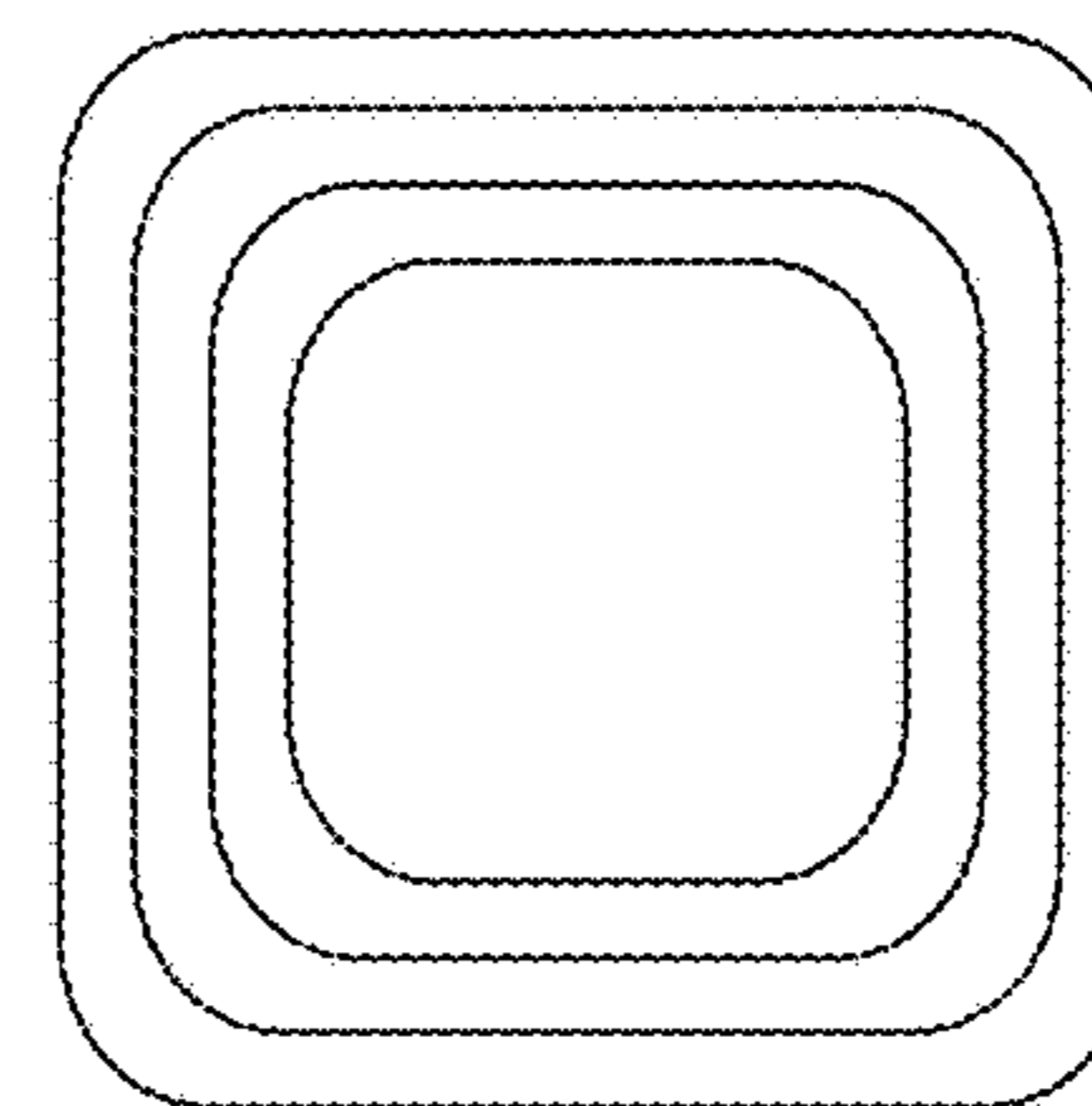


FIG. 15

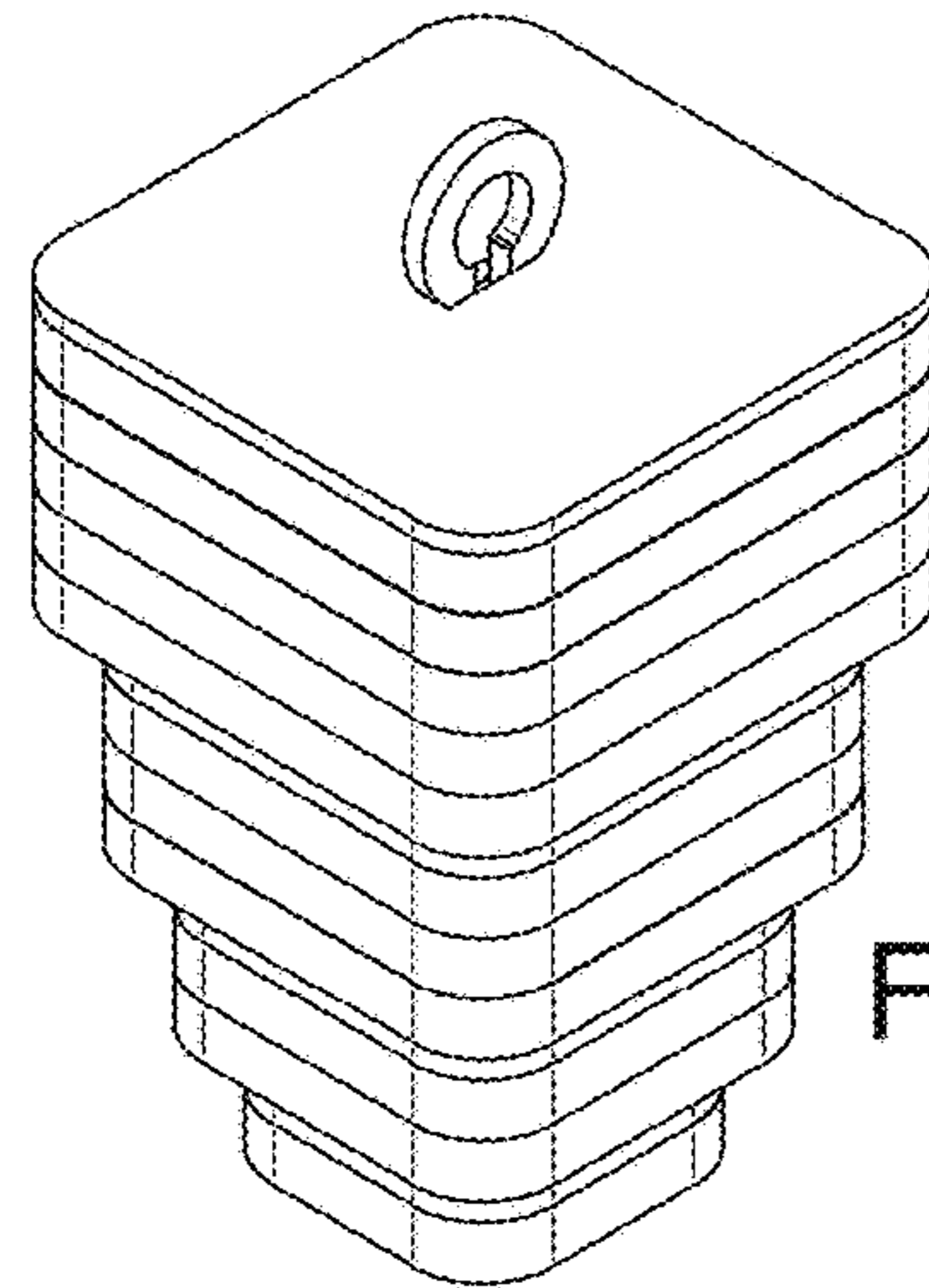


FIG. 16

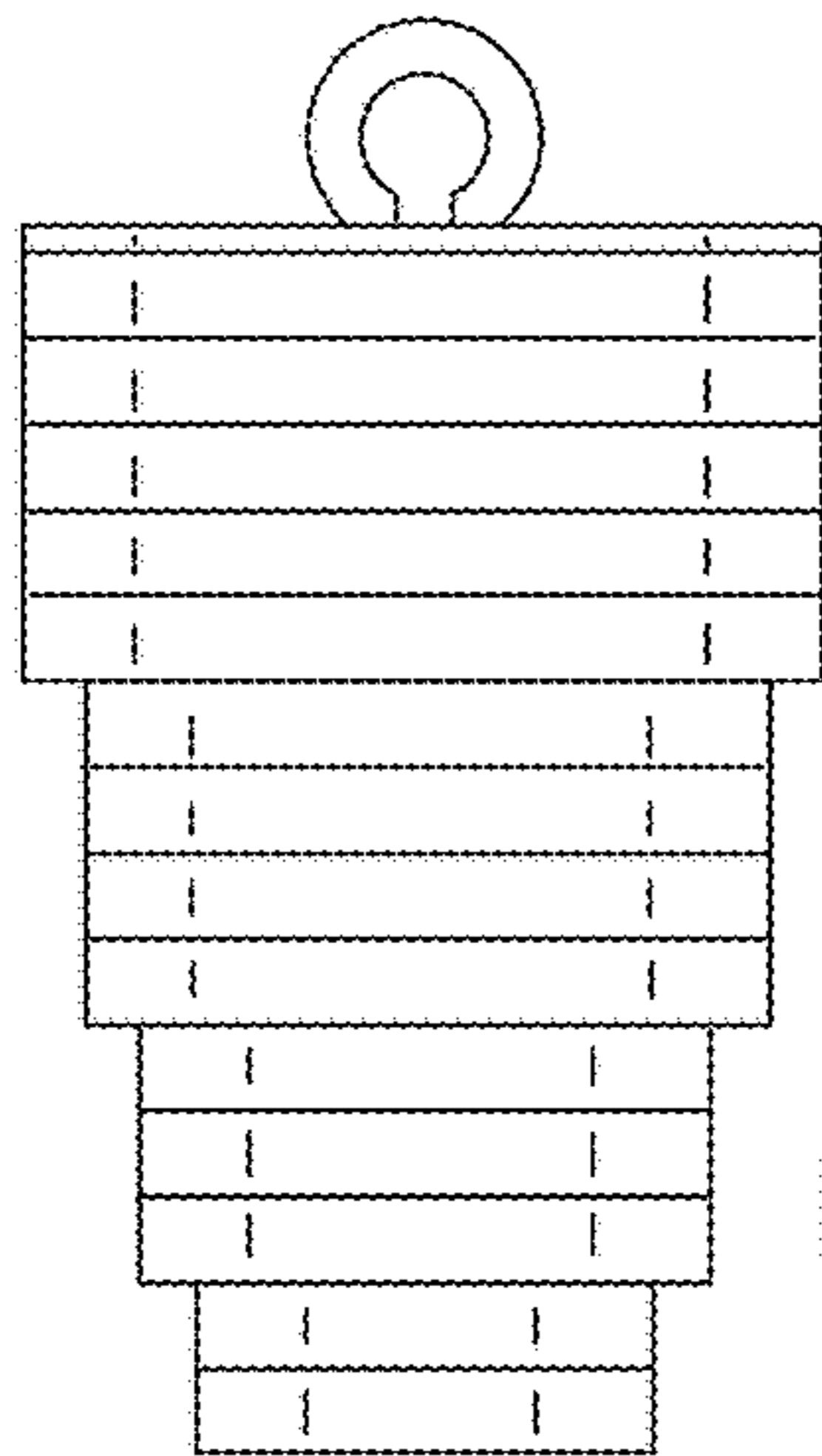


FIG. 17

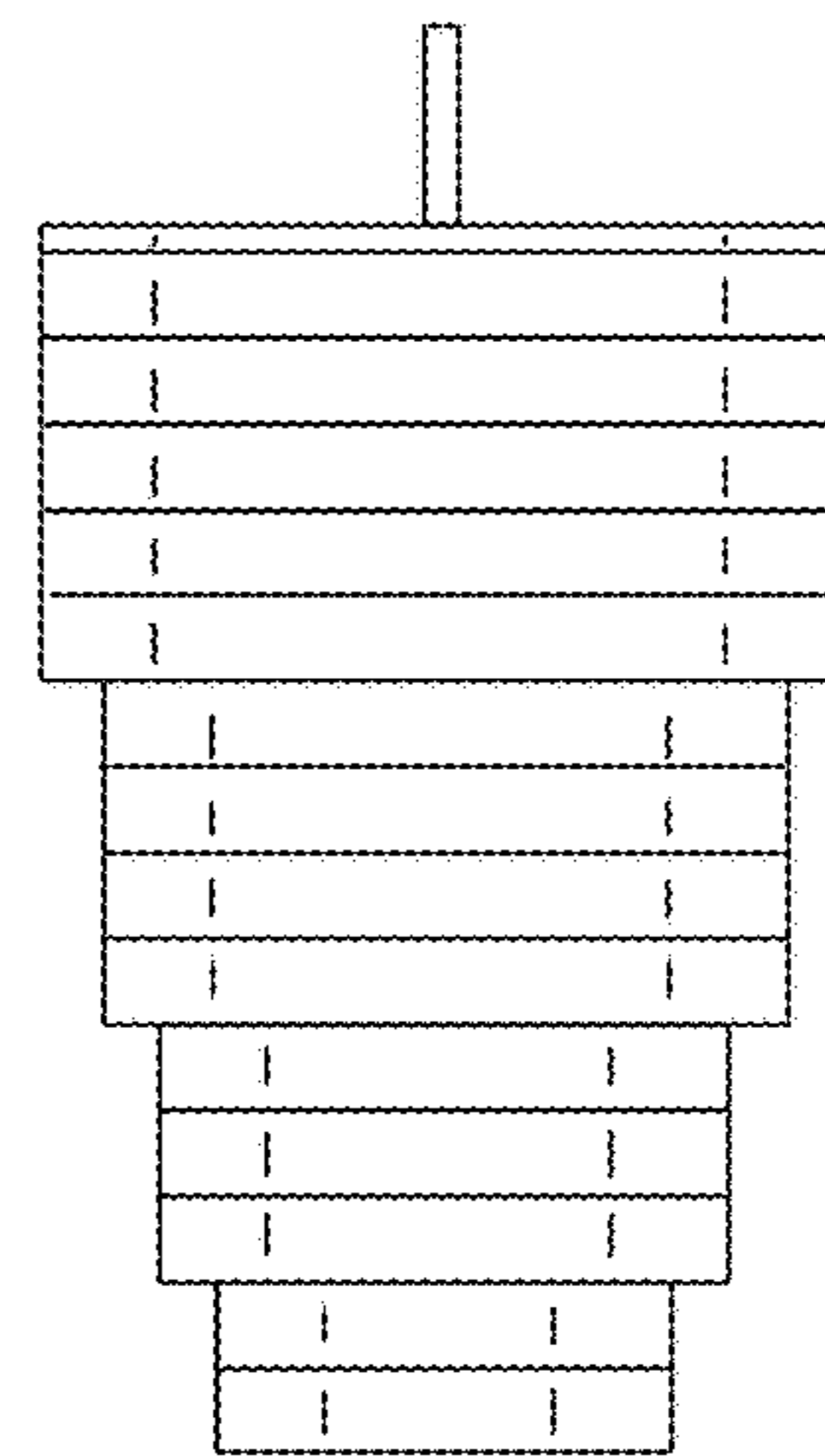


FIG. 18

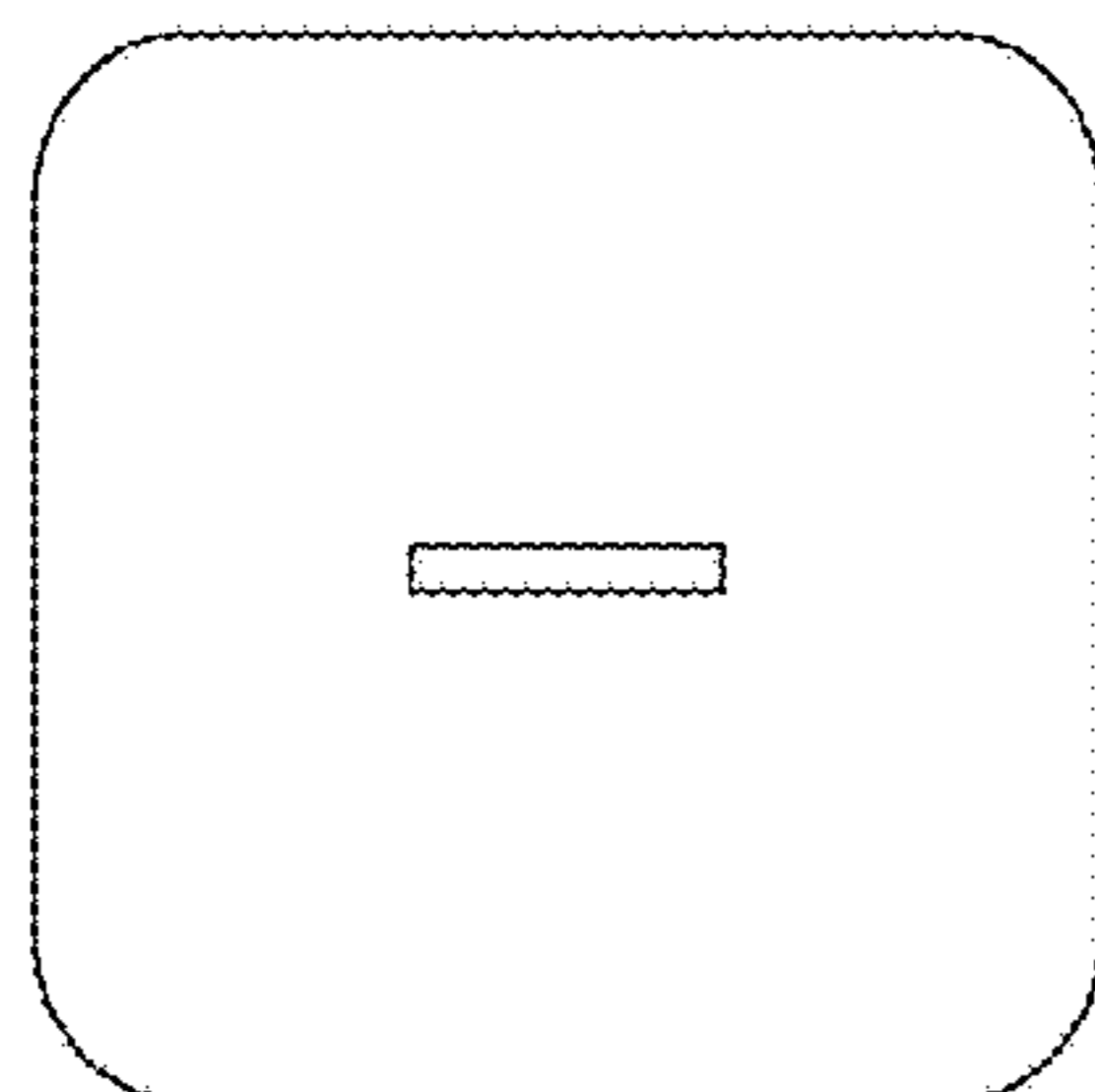


FIG. 19

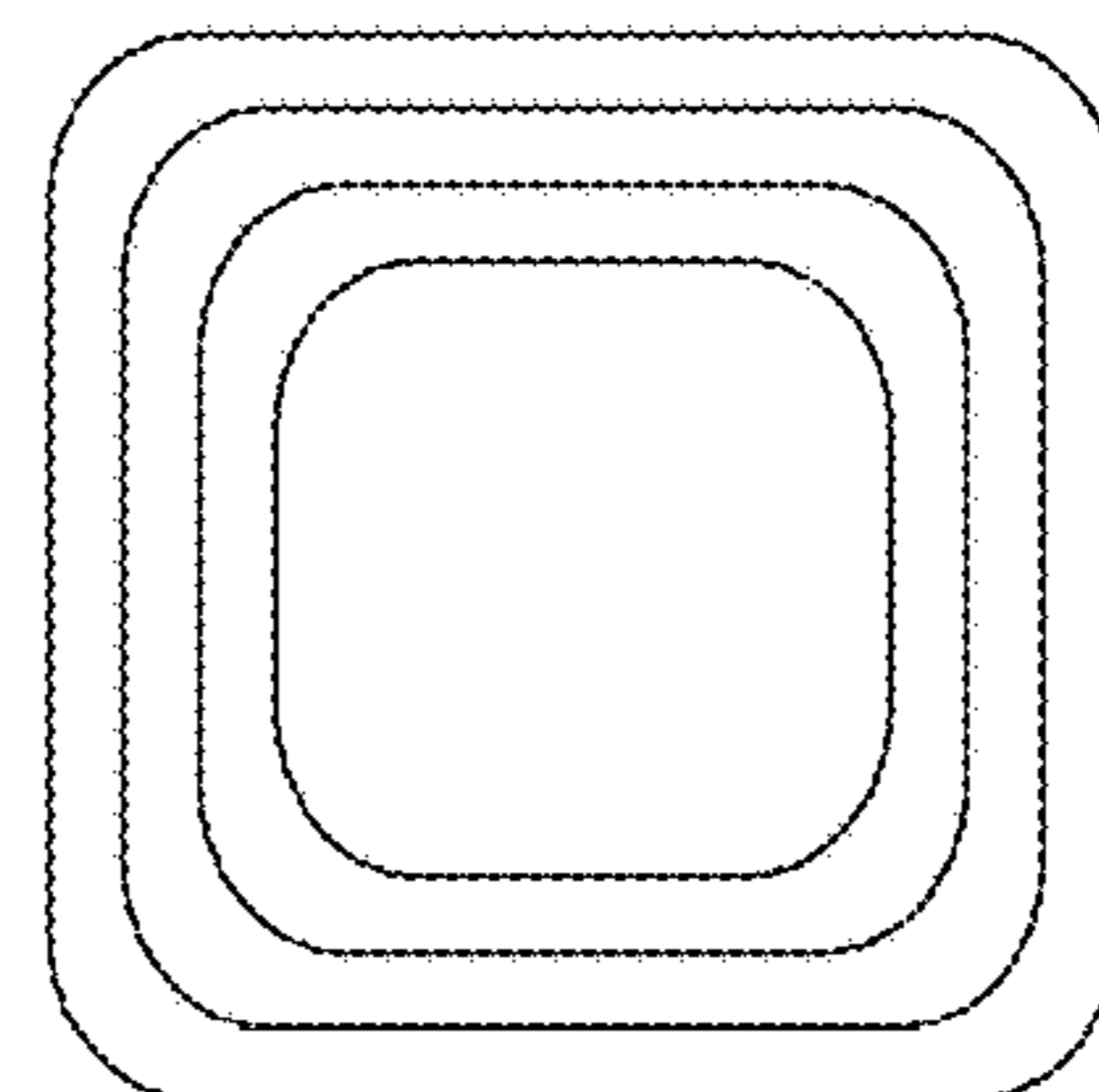


FIG. 20

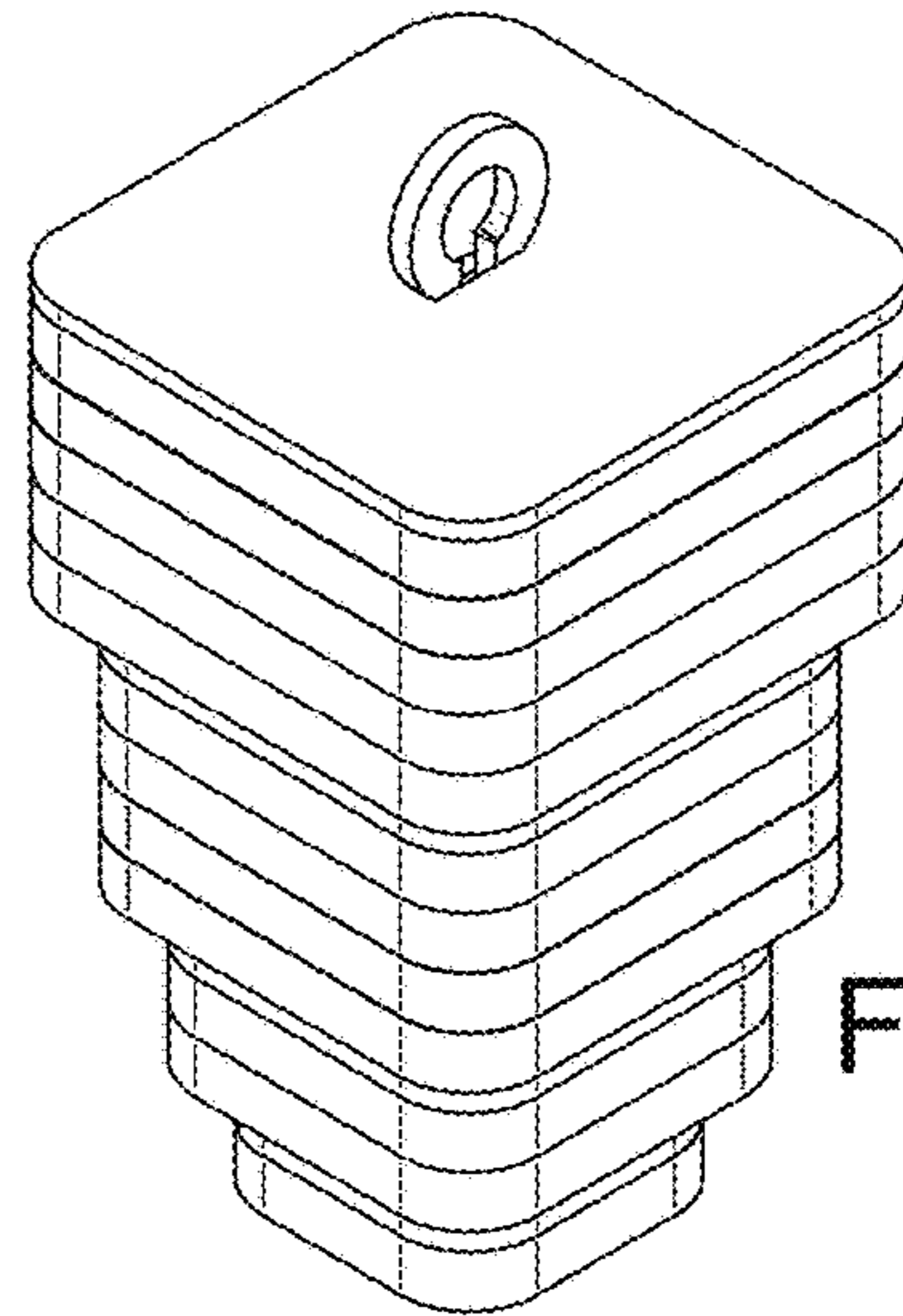


FIG. 21

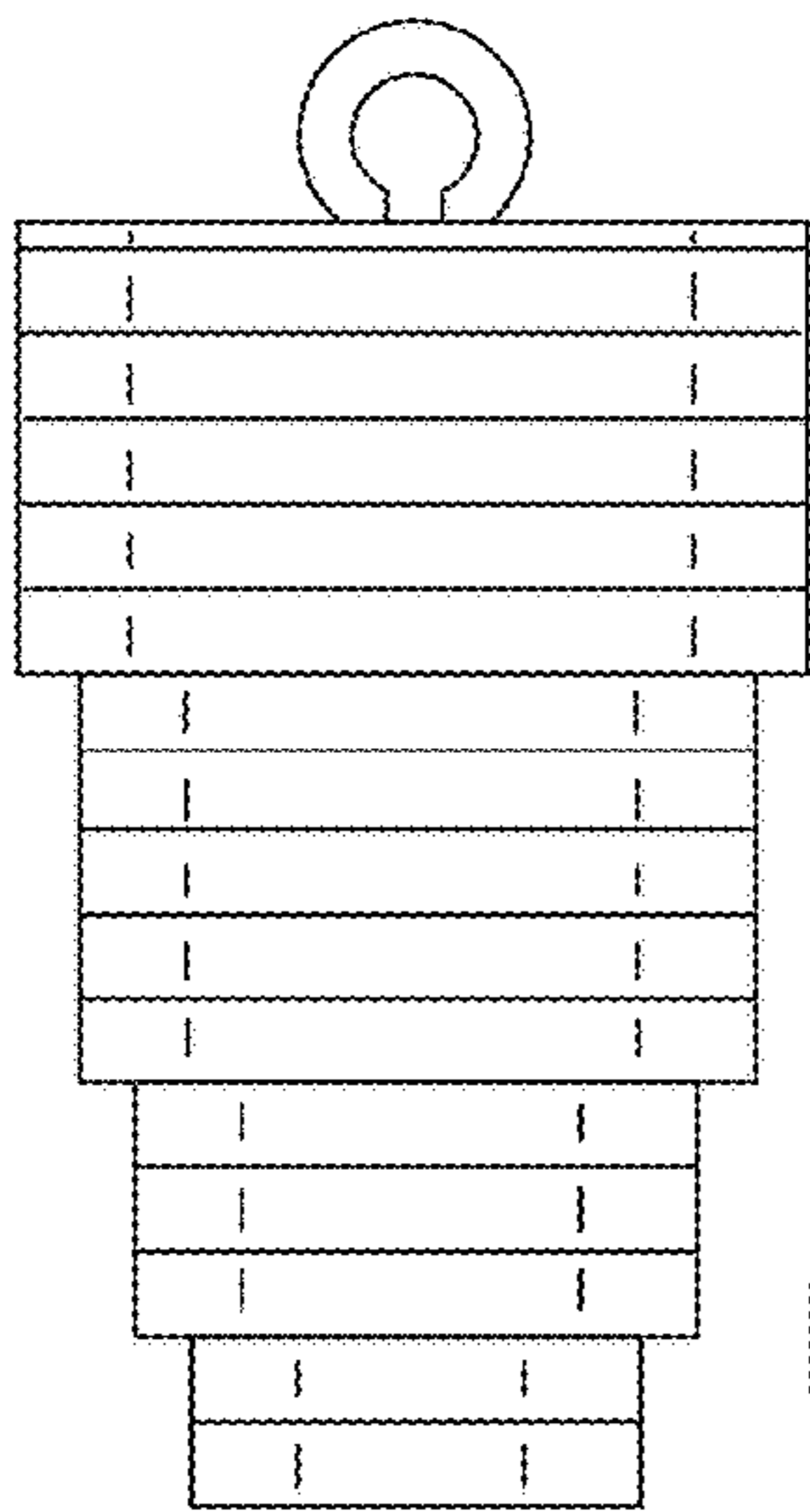


FIG. 22

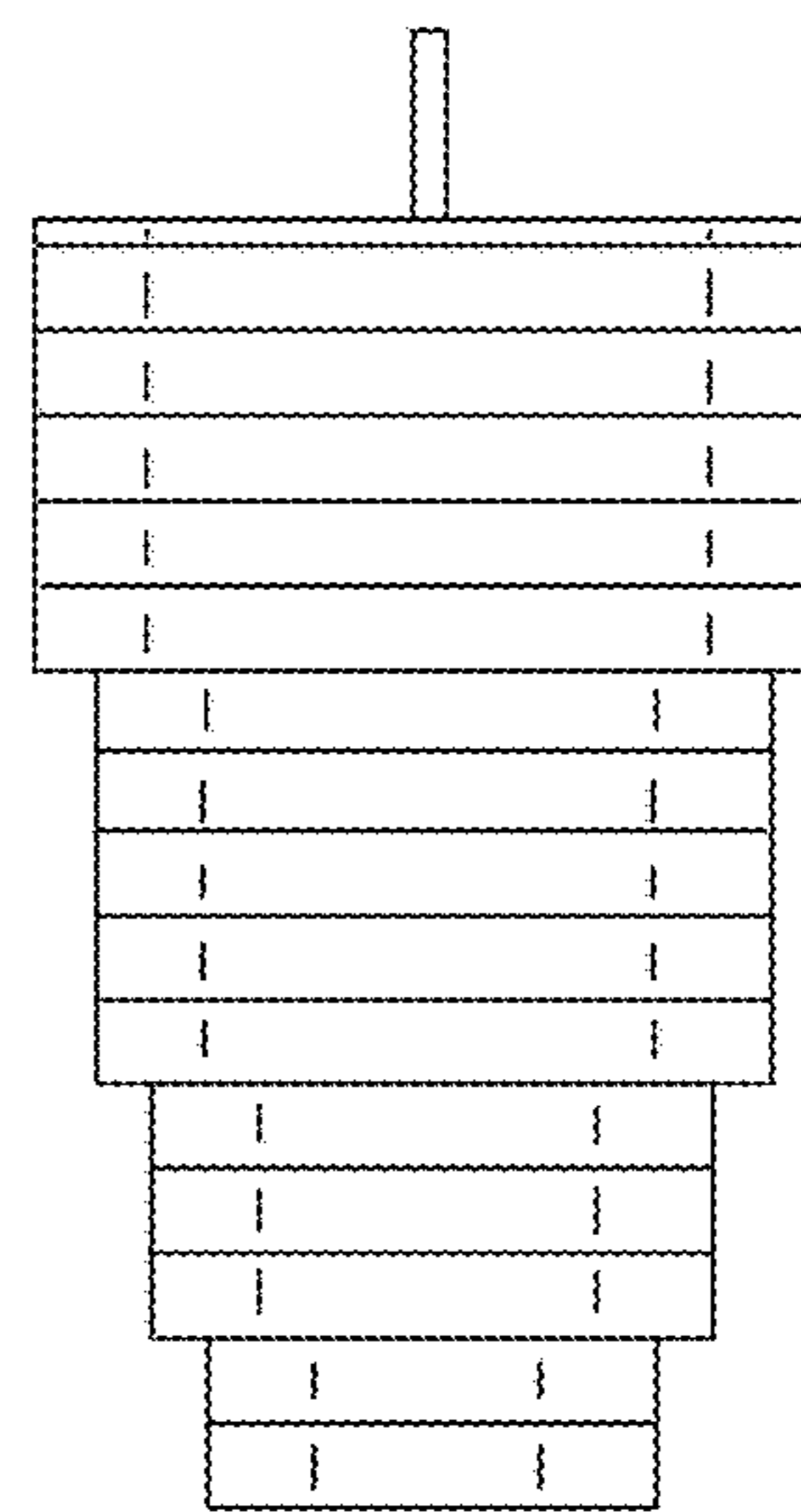


FIG. 23

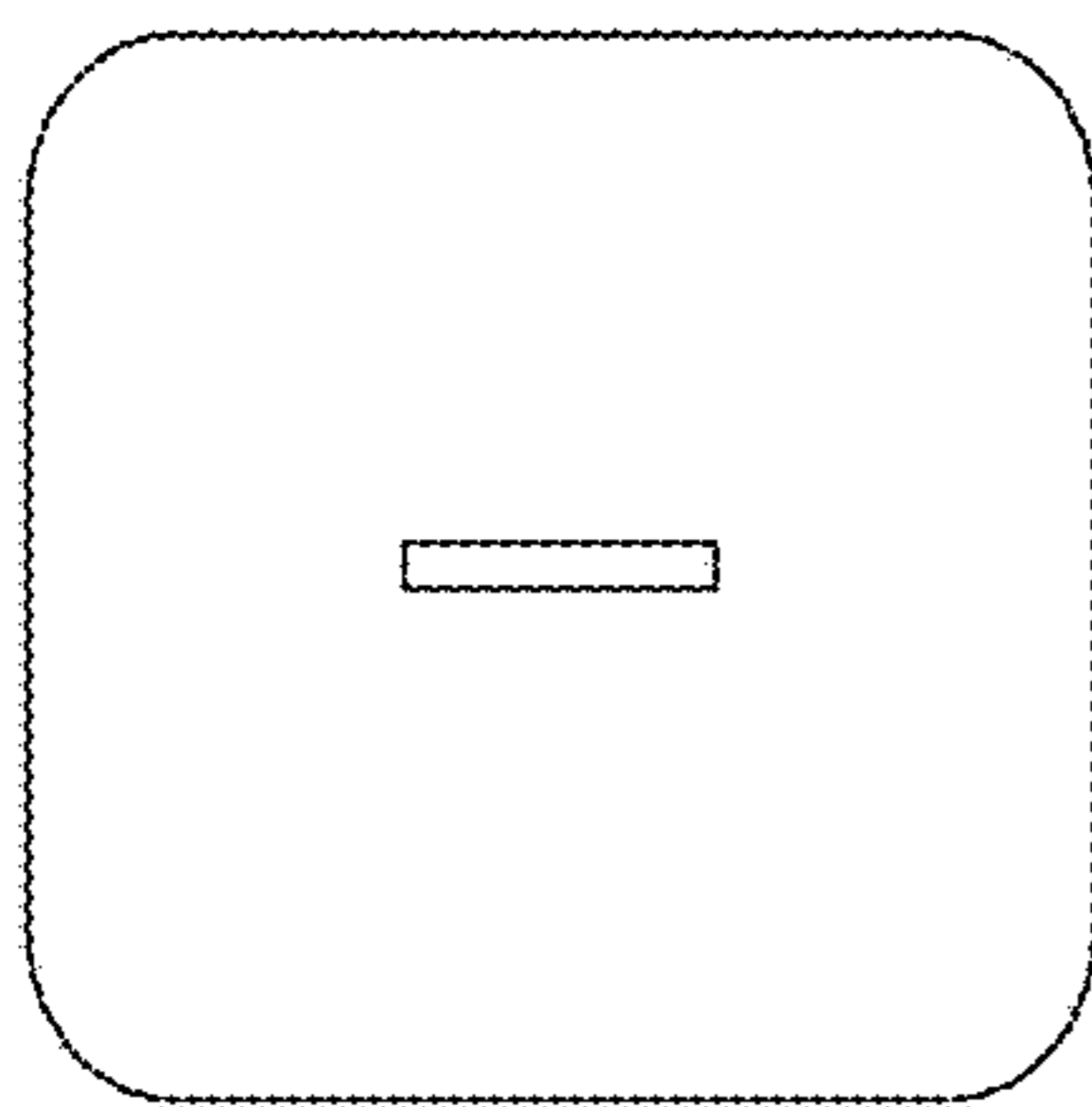


FIG. 24

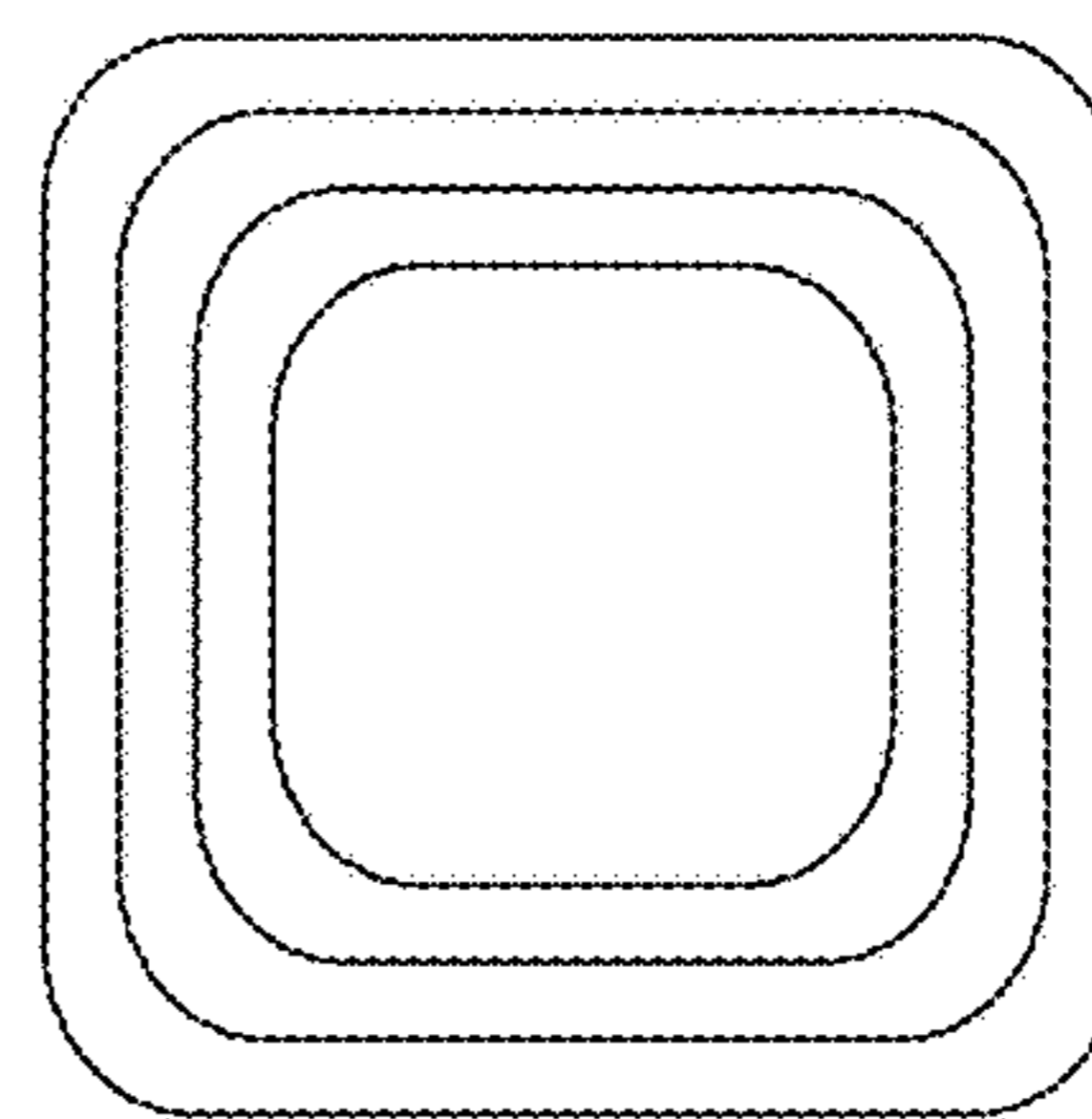


FIG. 25

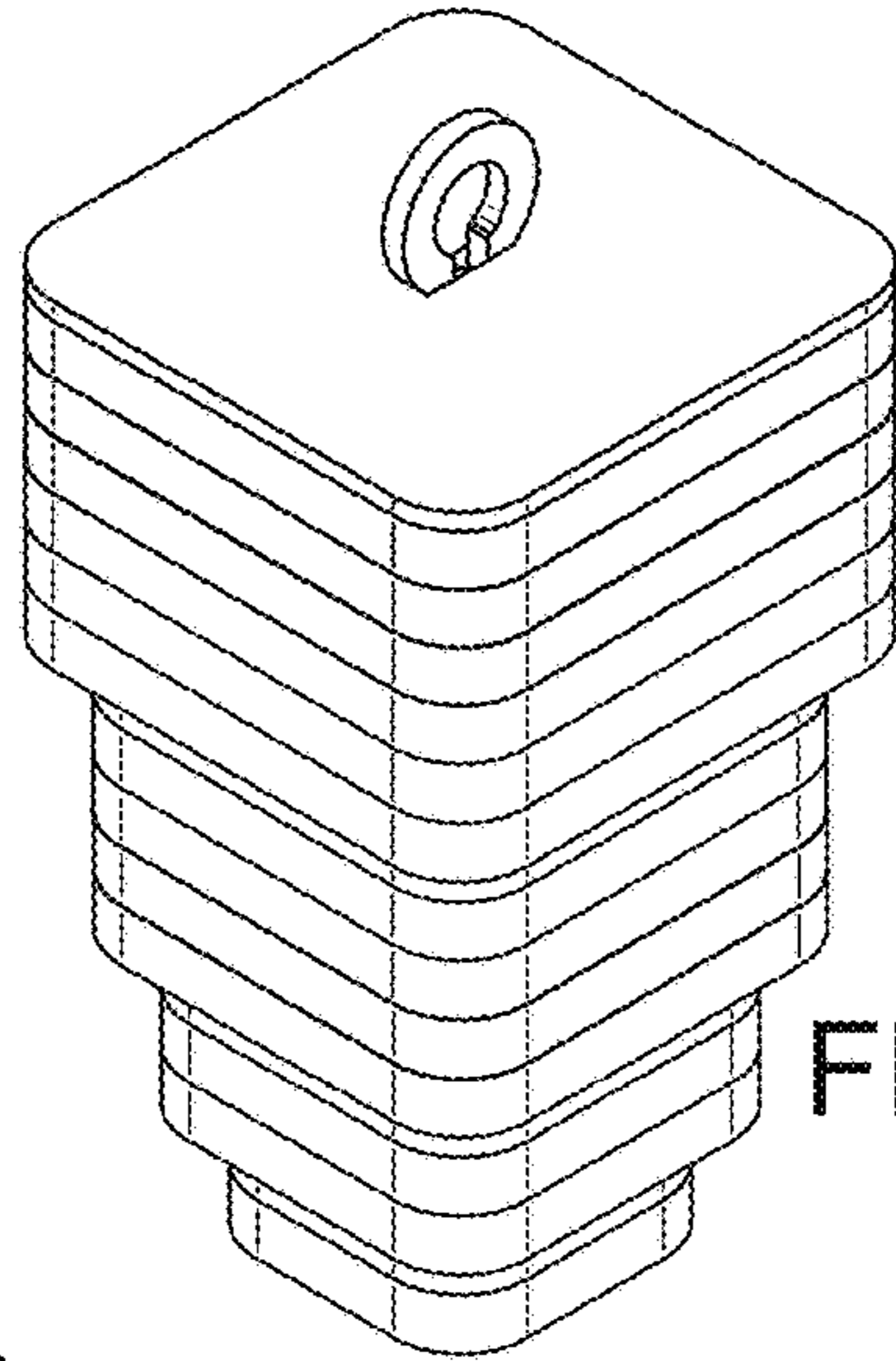


FIG. 26

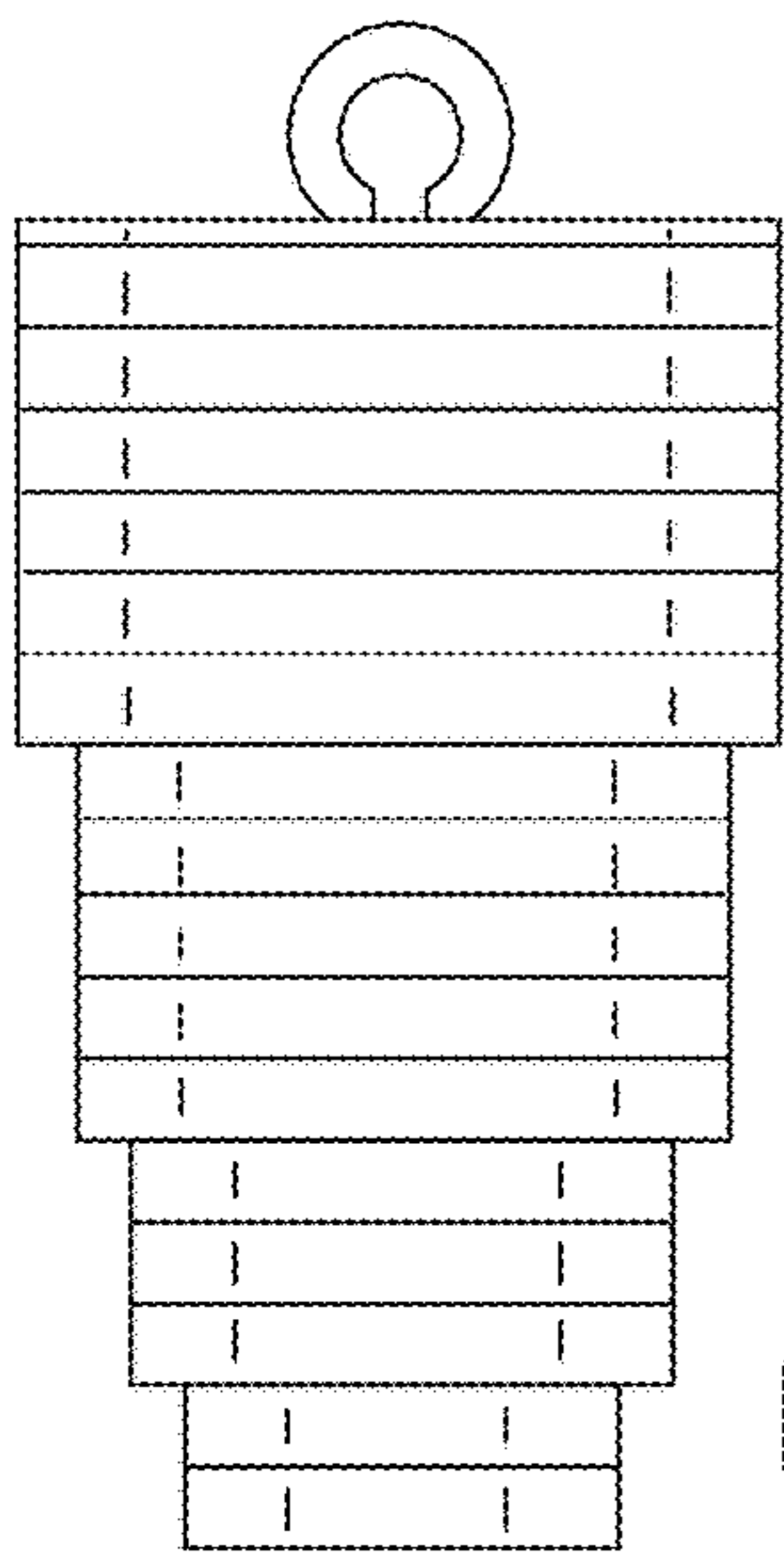


FIG. 27

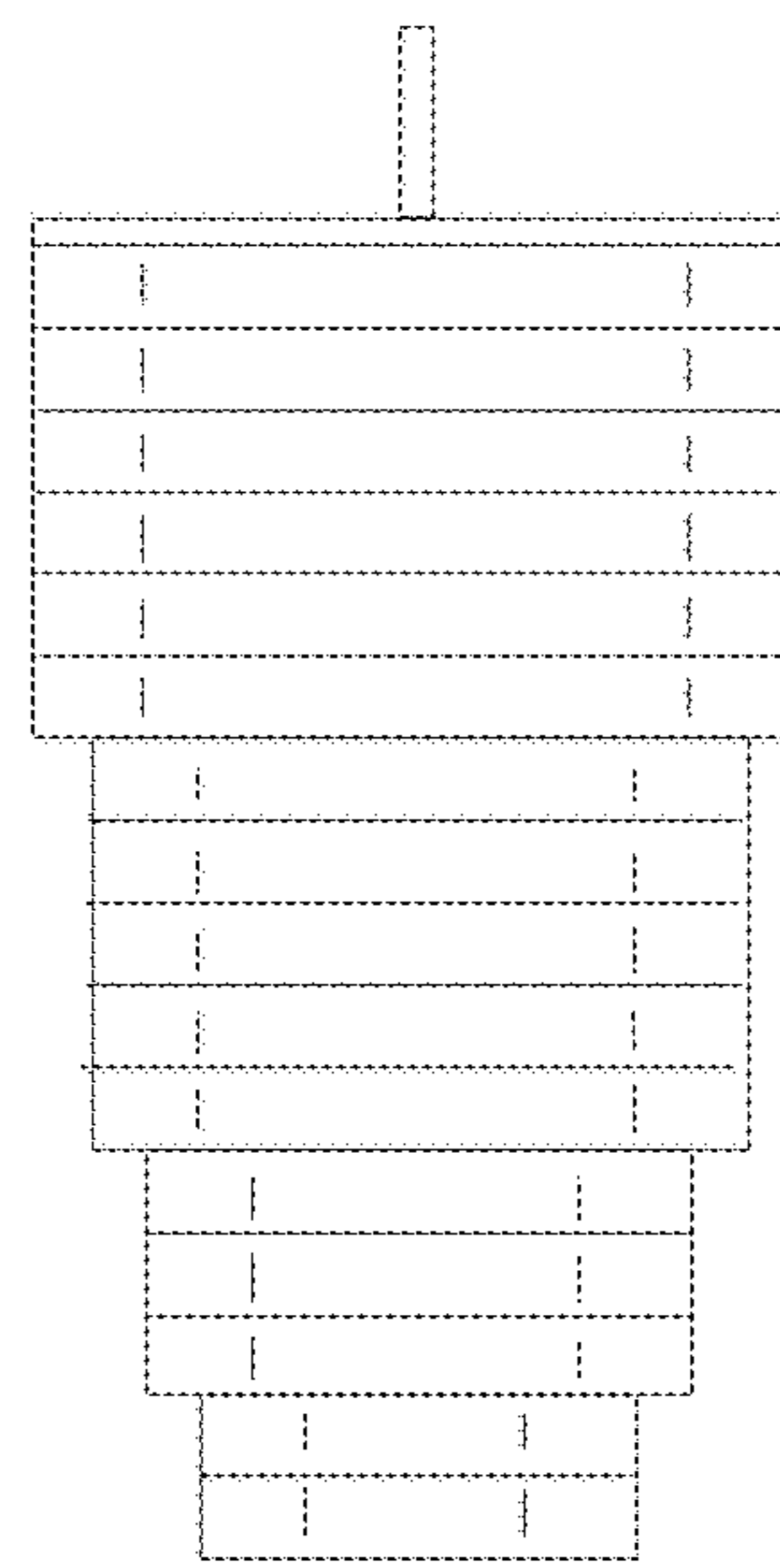


FIG. 28

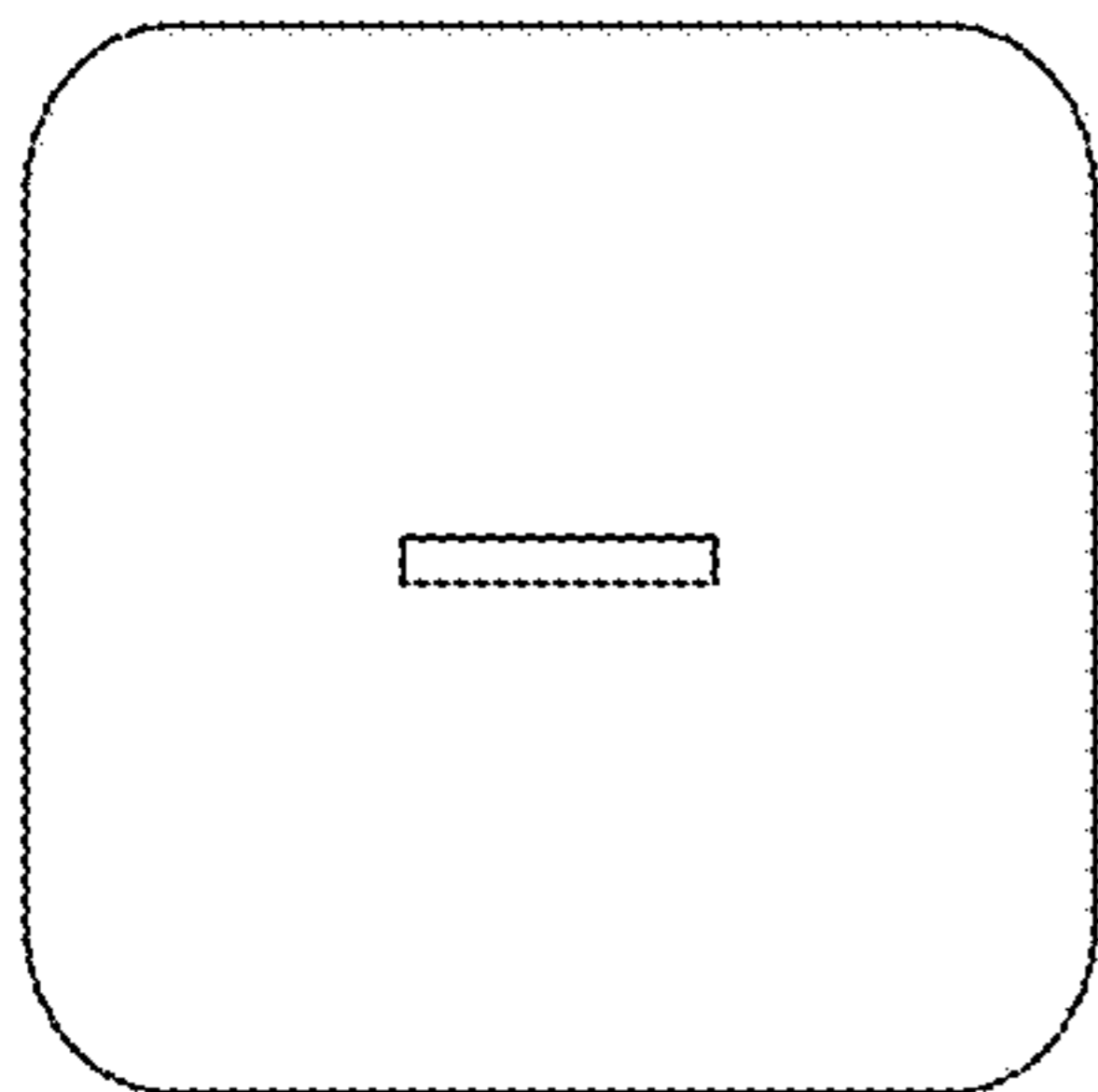


FIG. 29

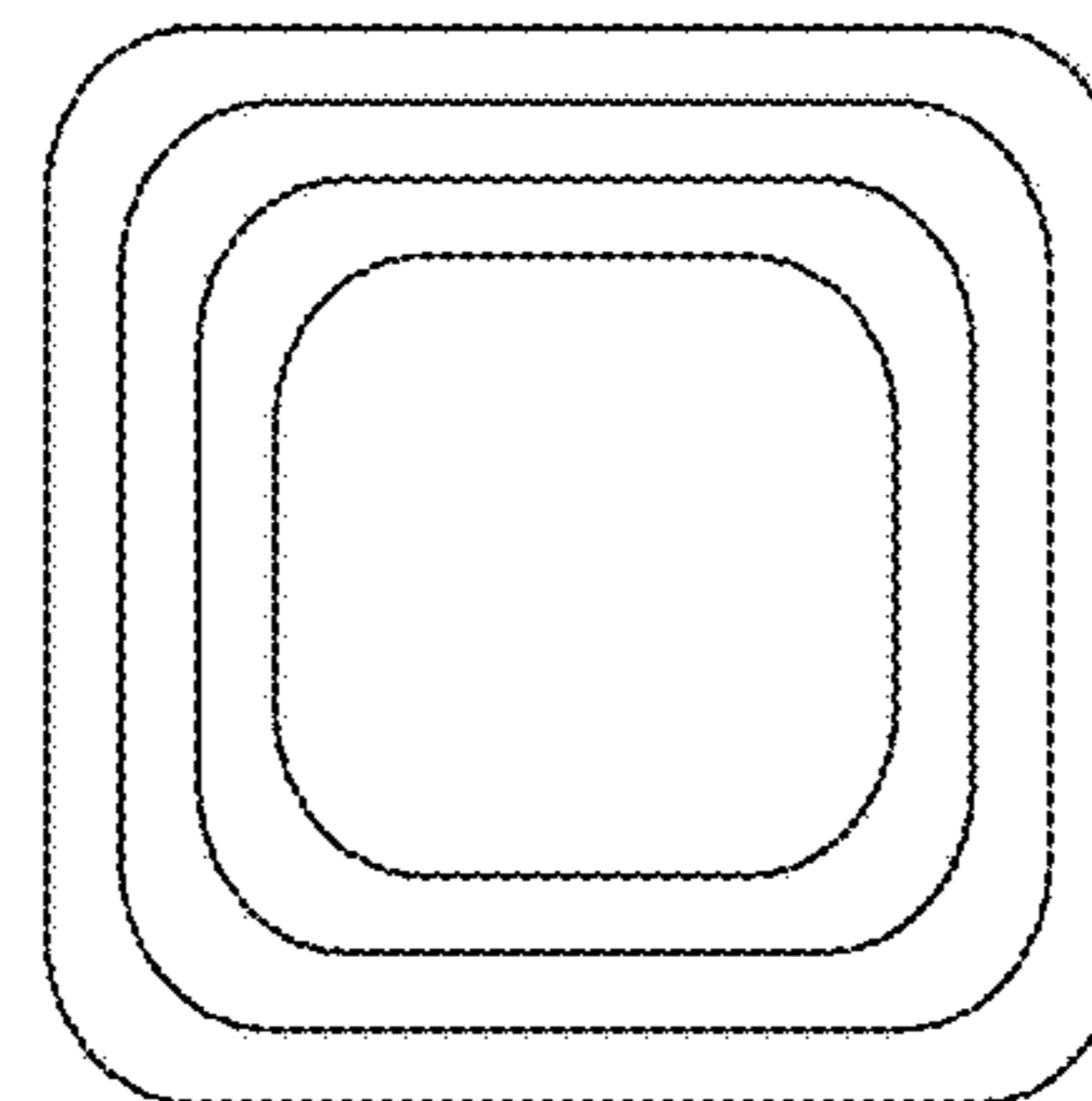


FIG. 30

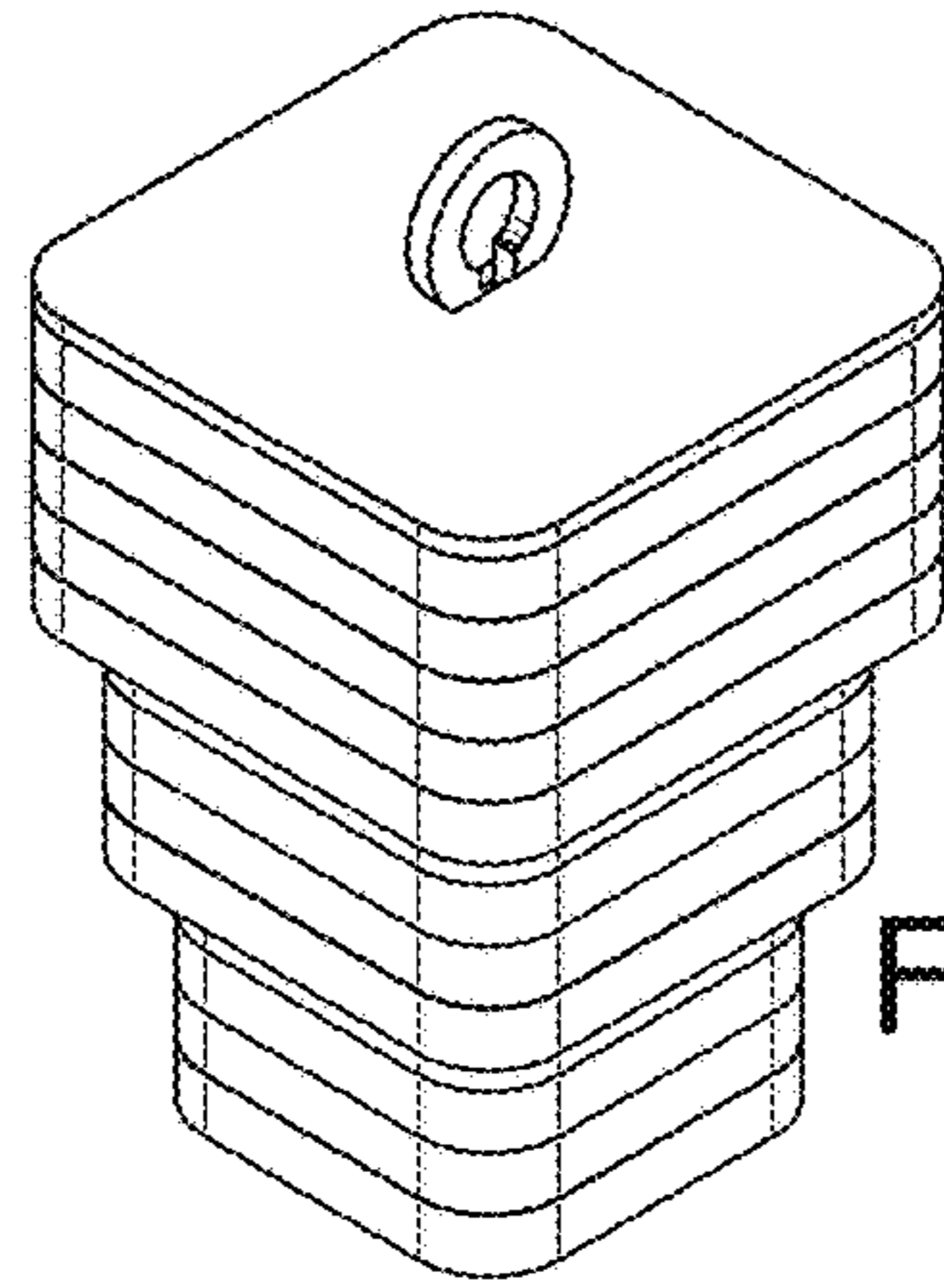


FIG. 31

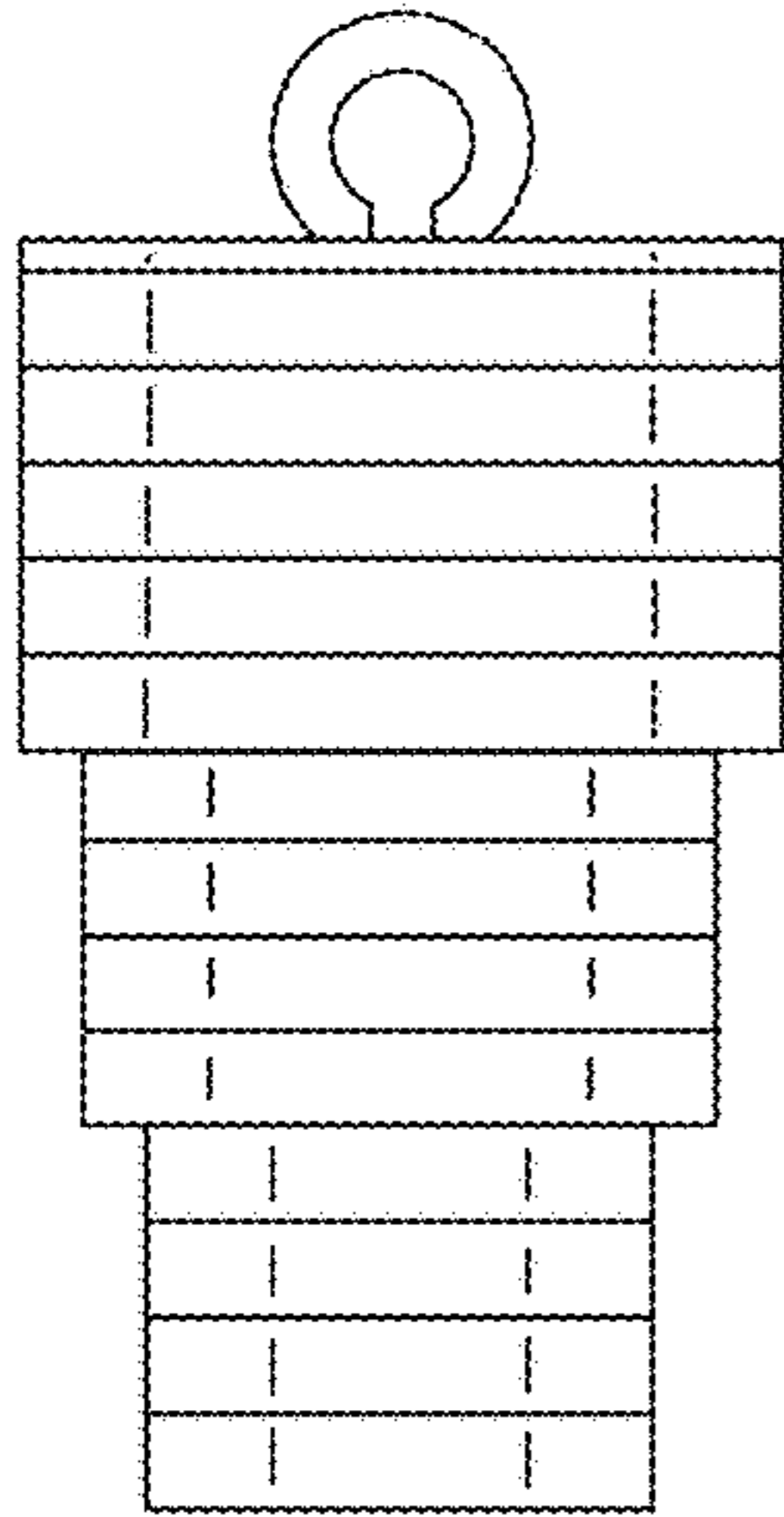


FIG. 32

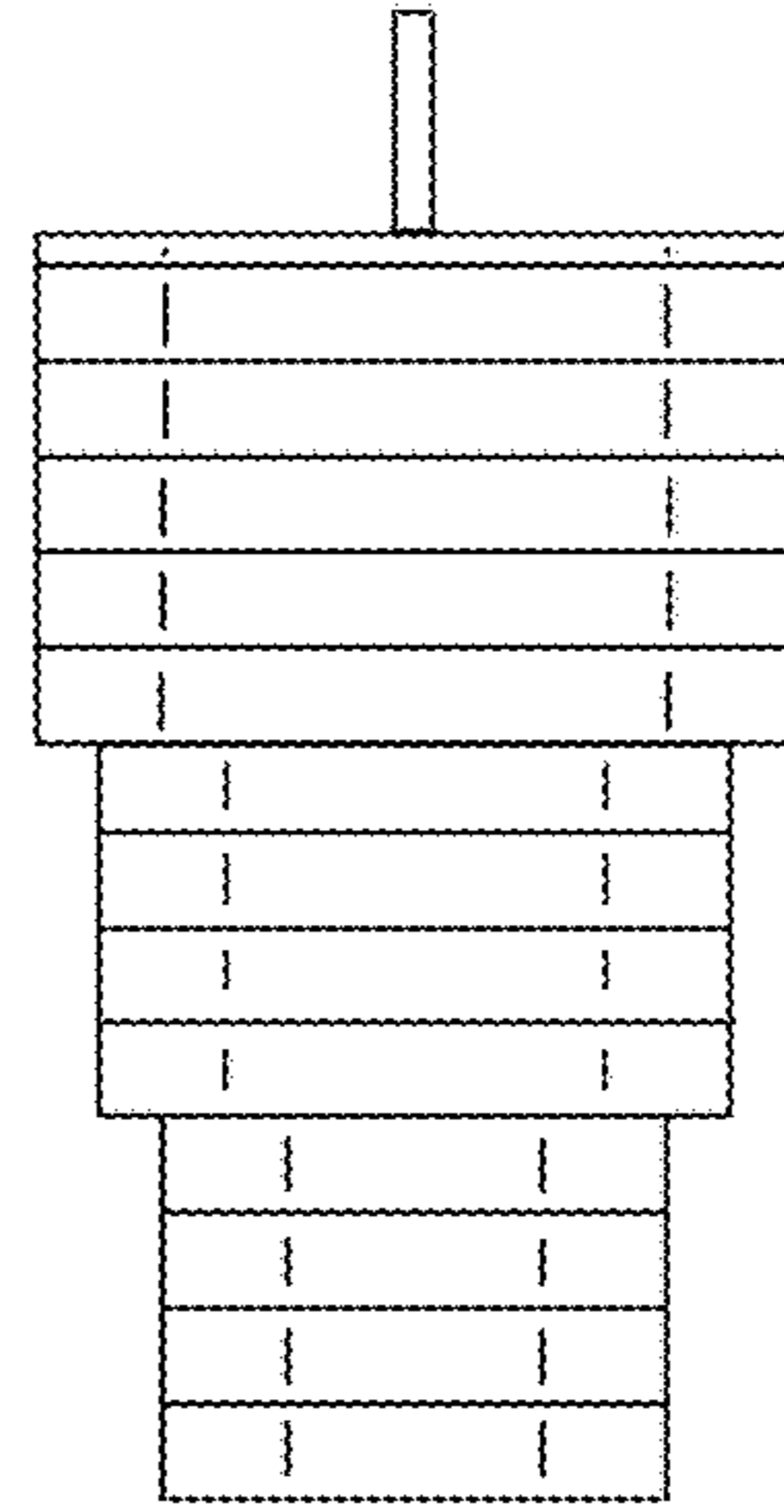


FIG. 33

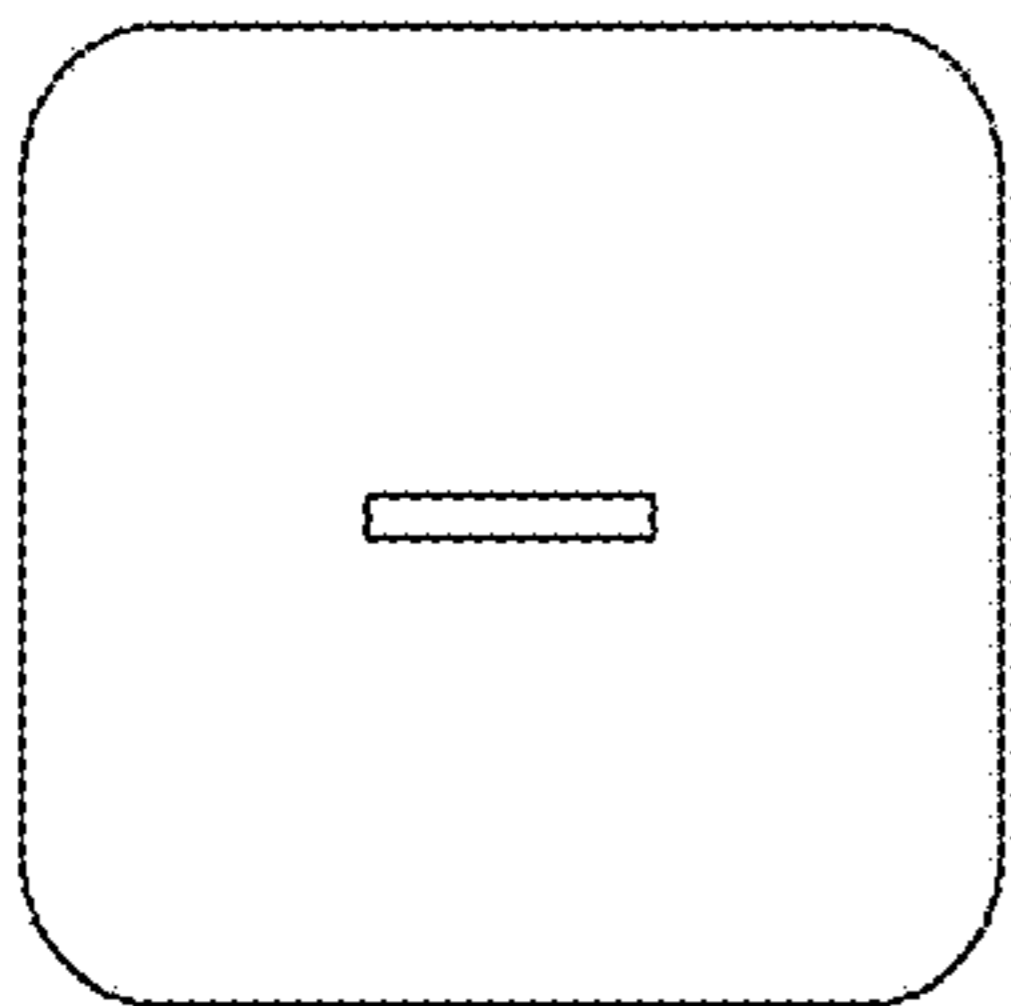


FIG. 34

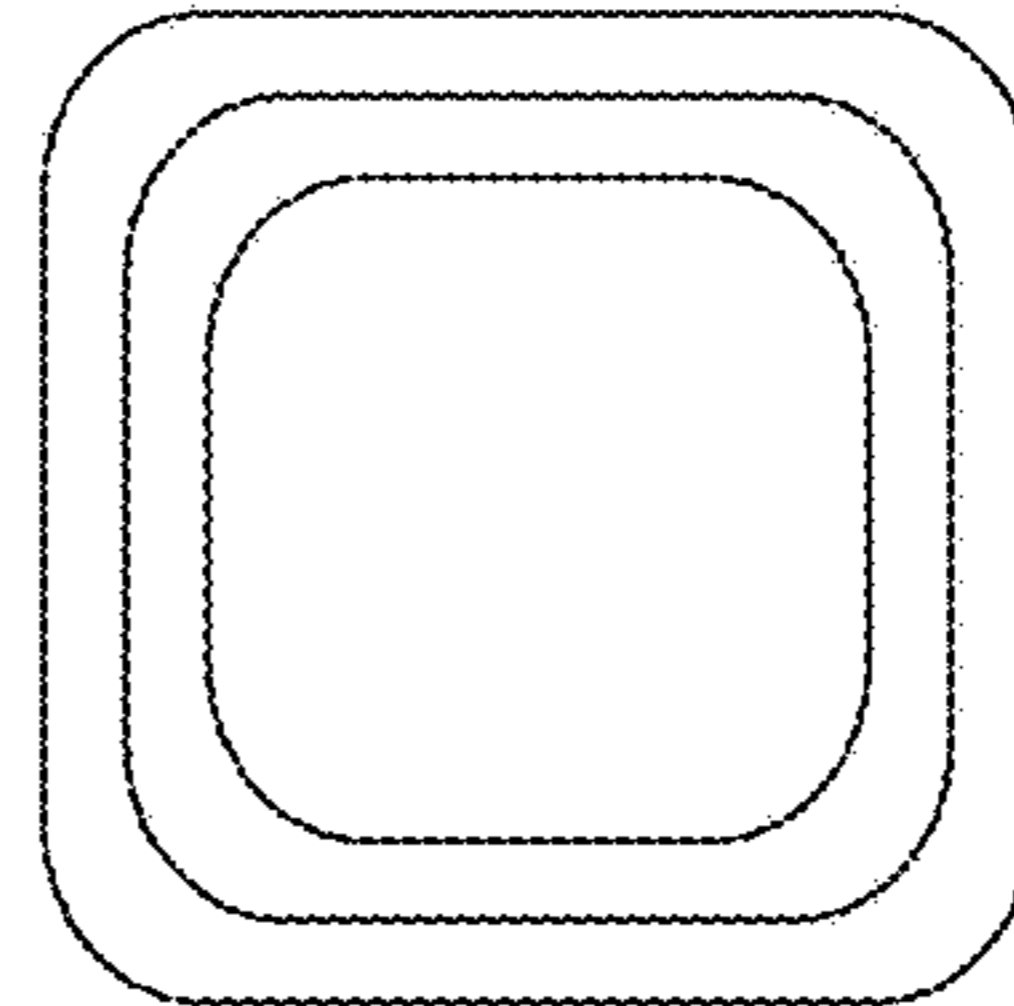


FIG. 35

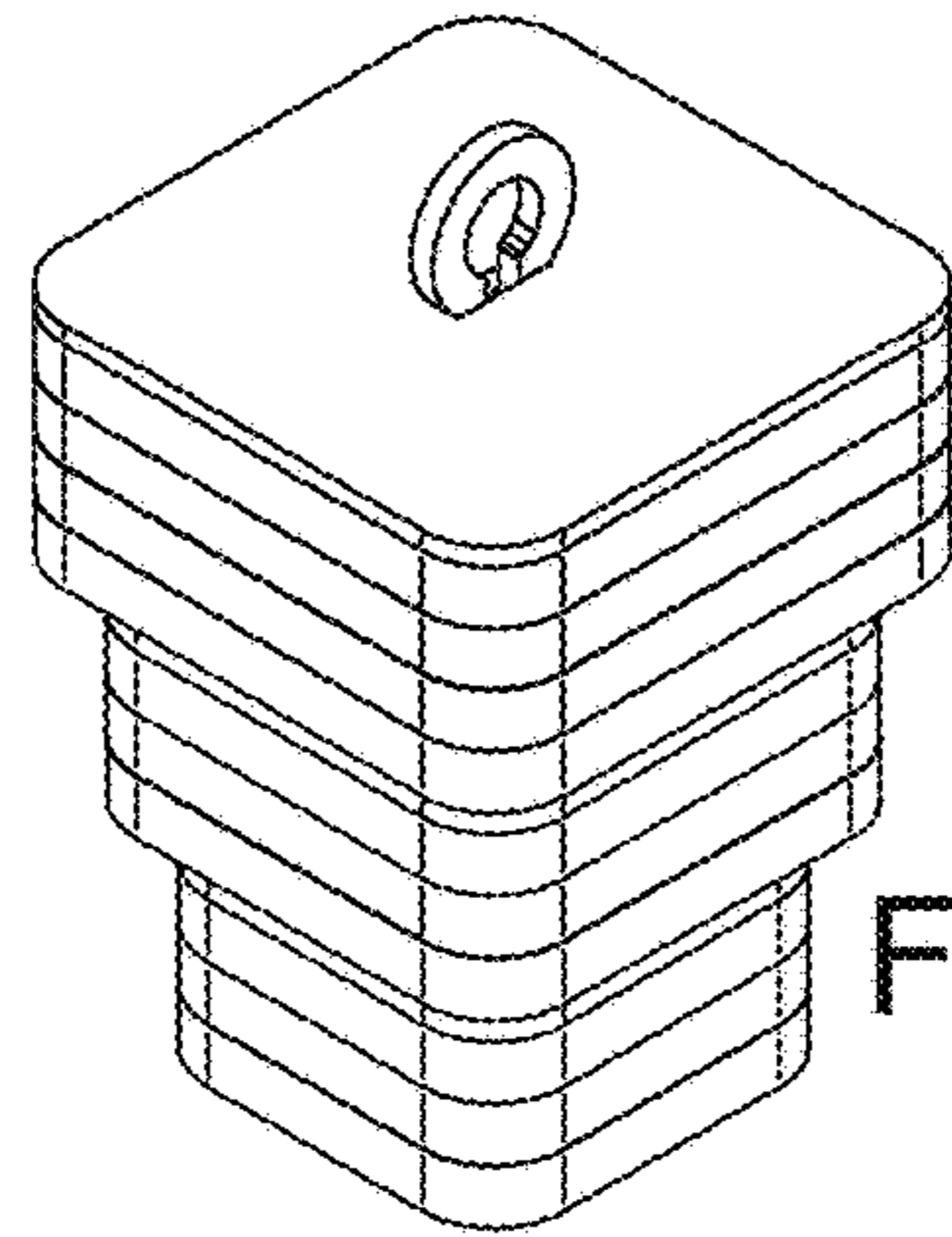


FIG. 36

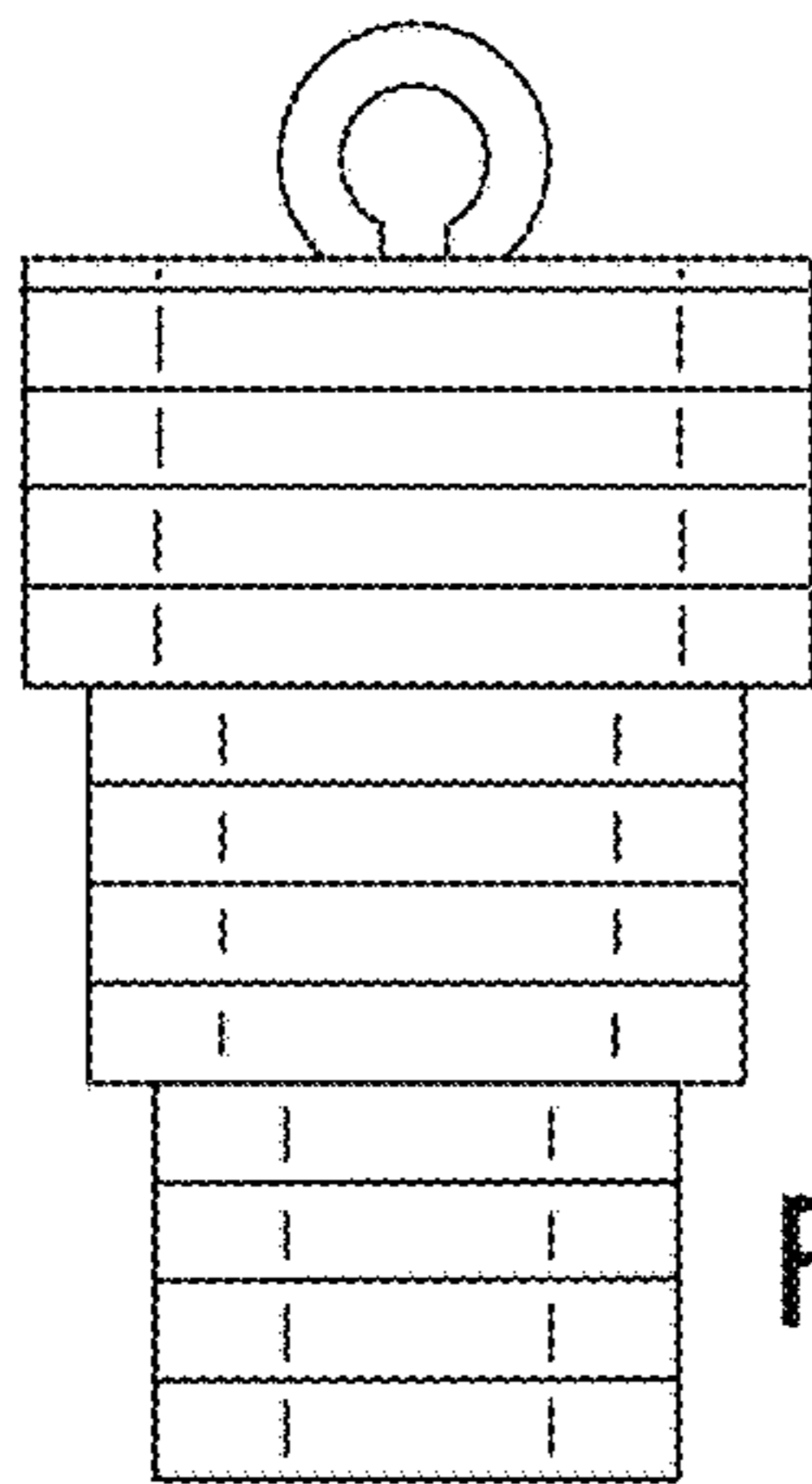


FIG. 37

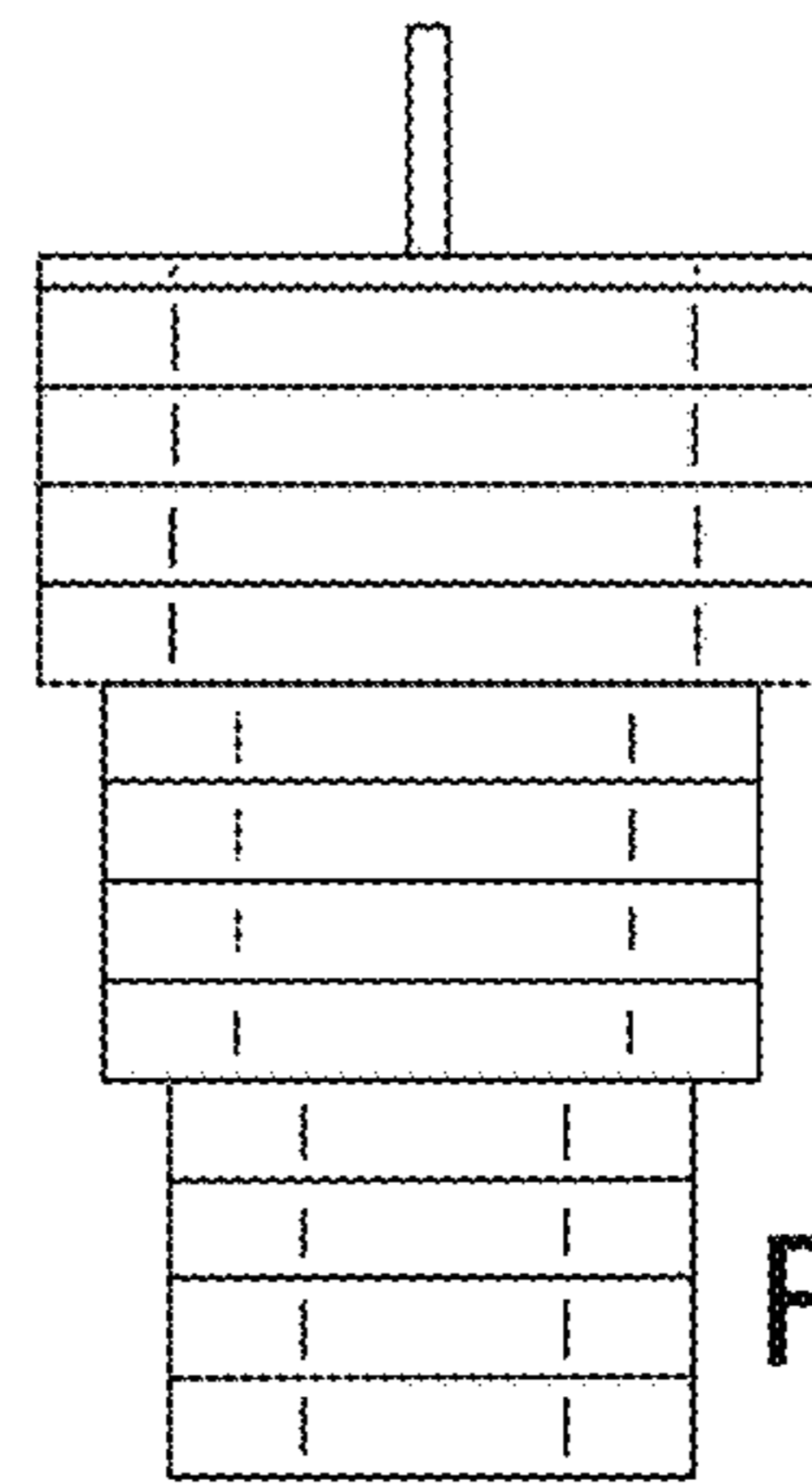


FIG. 38

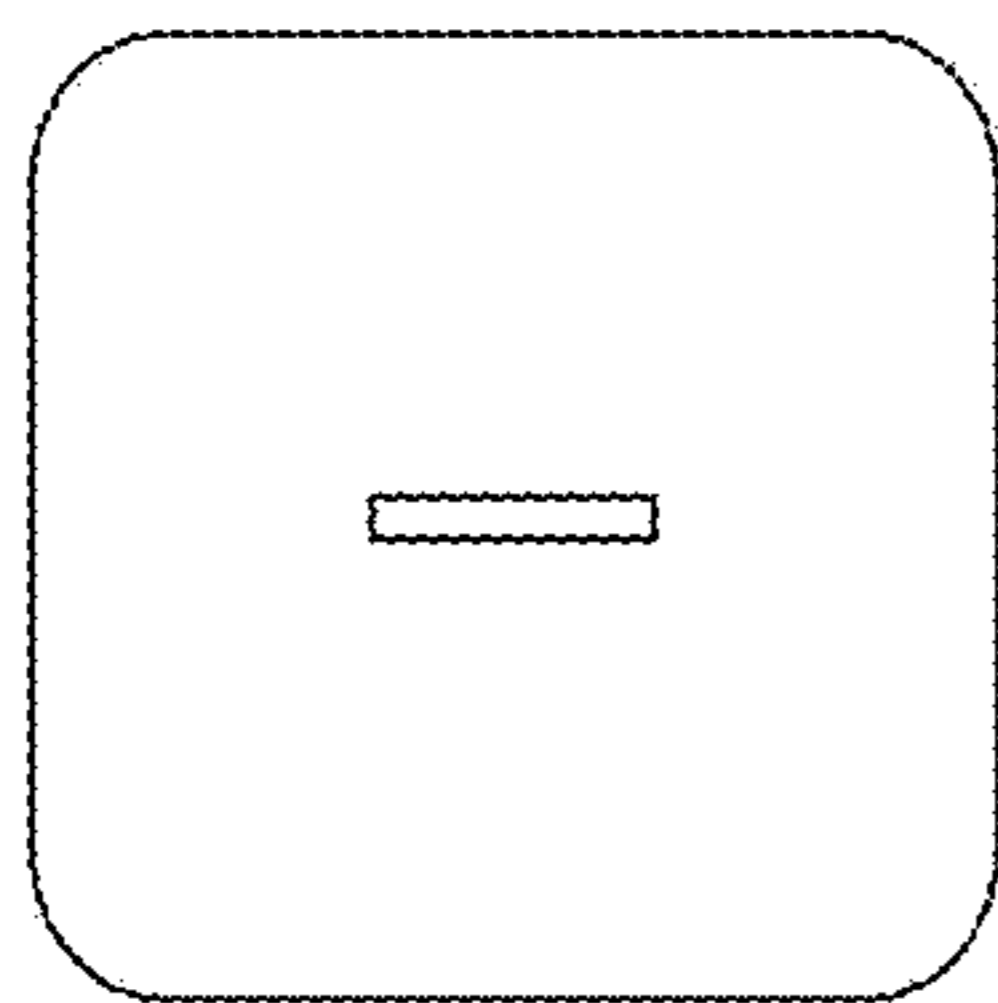


FIG. 39

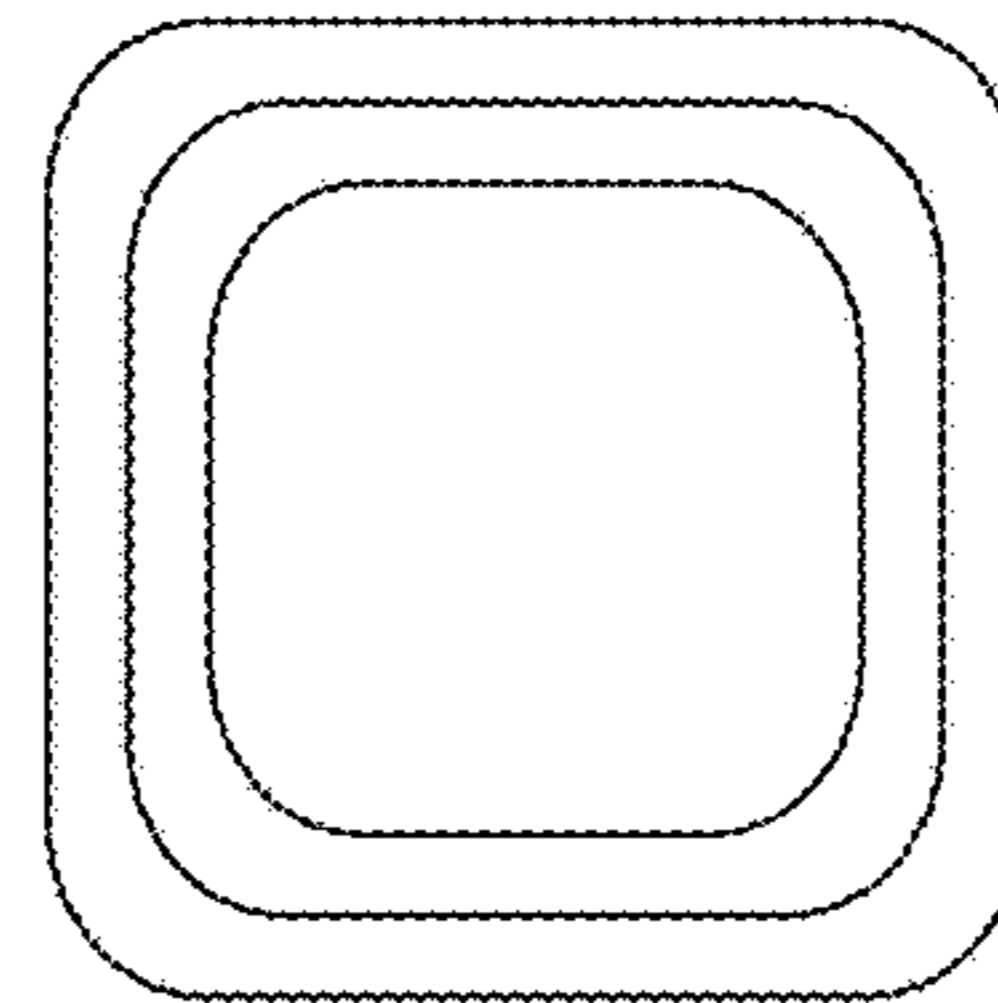


FIG. 40

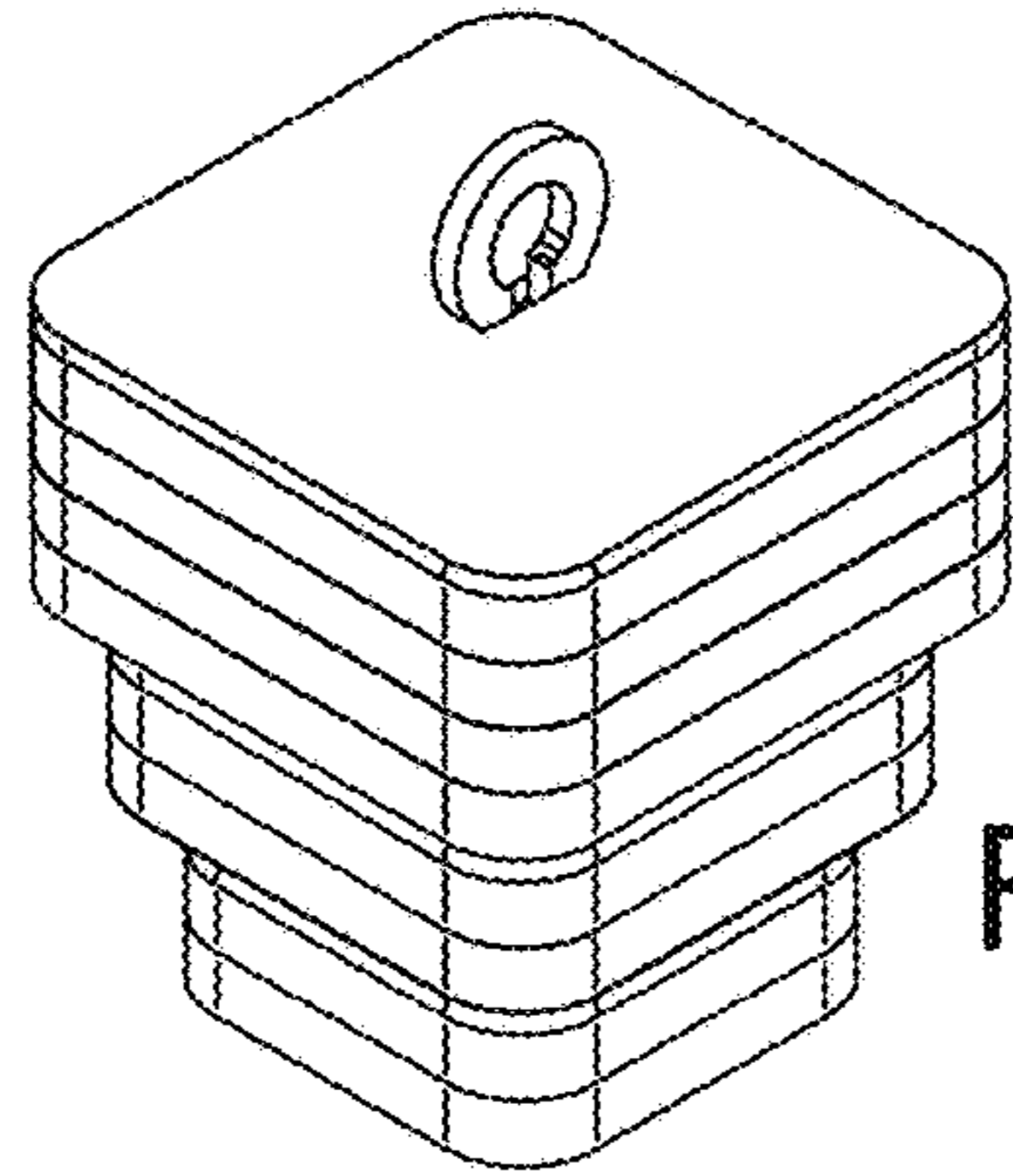


FIG. 41

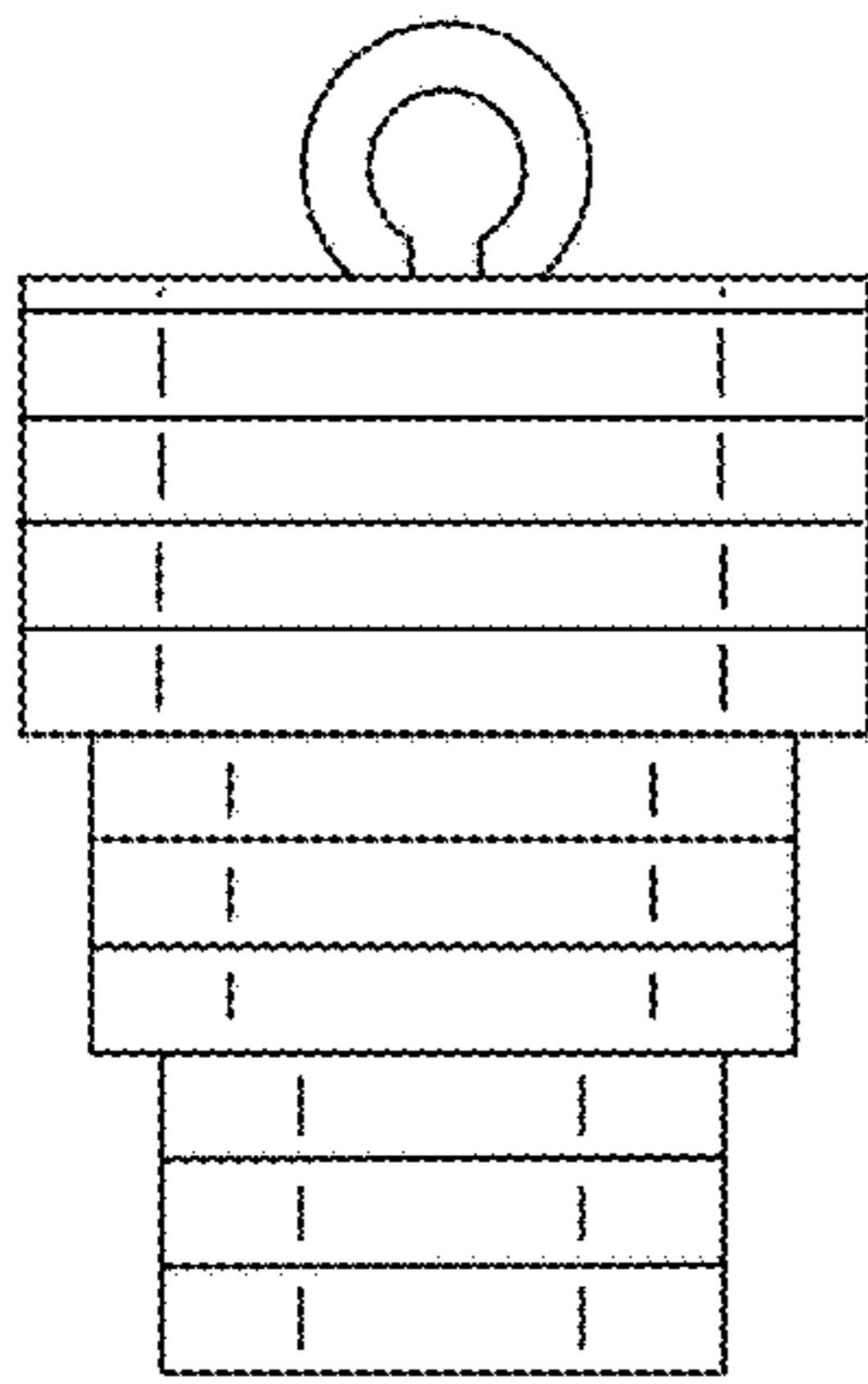


FIG. 42

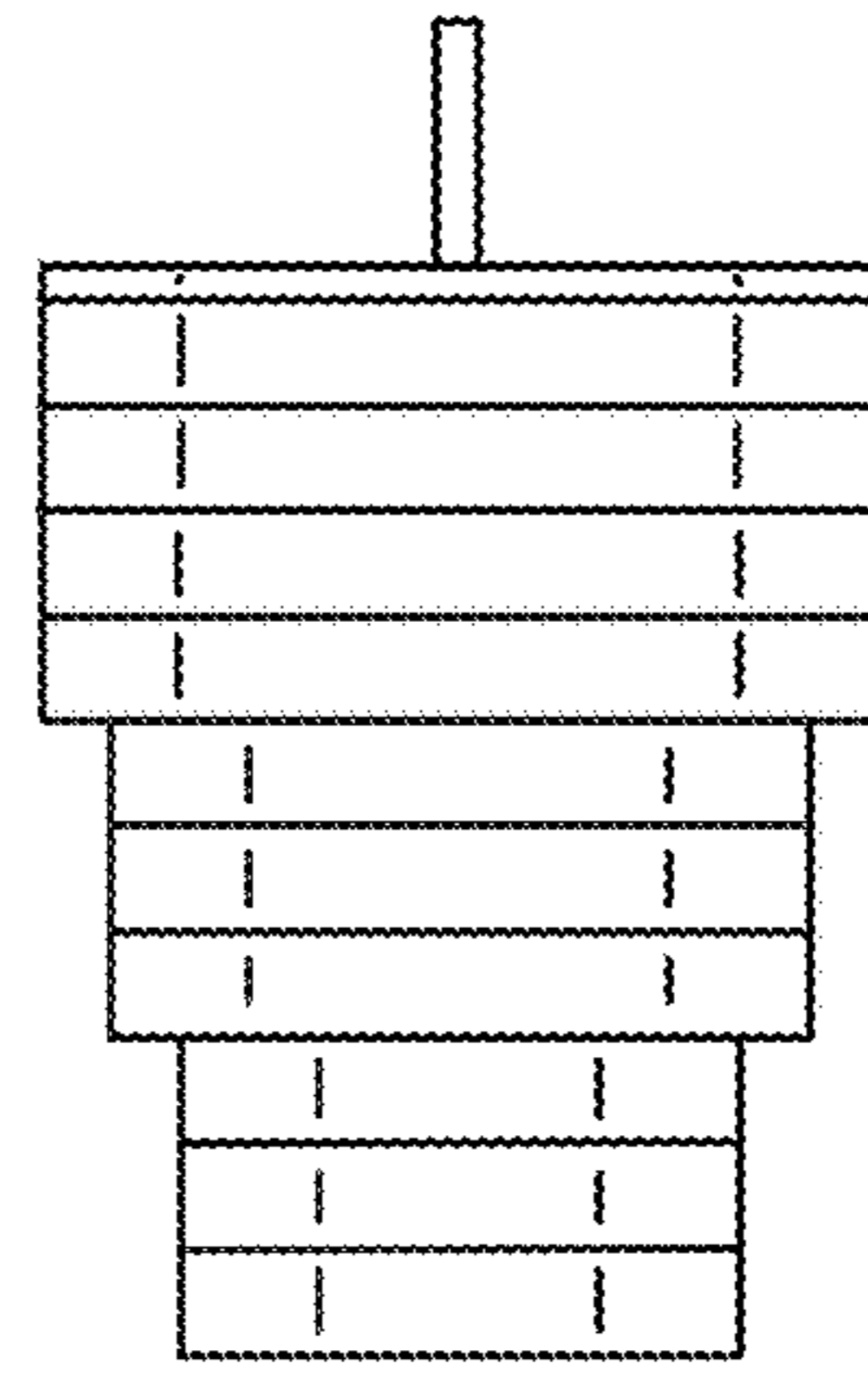


FIG. 43

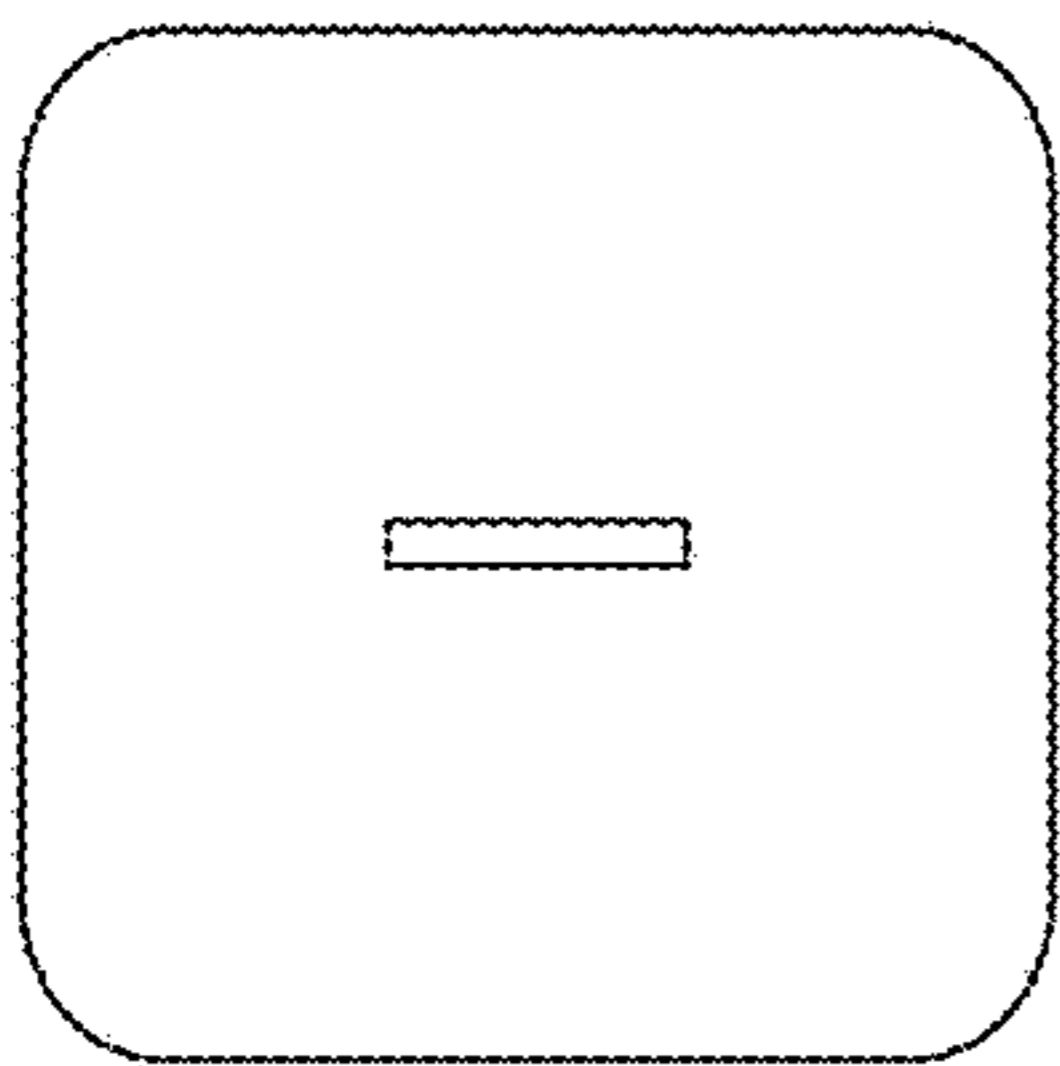


FIG. 44

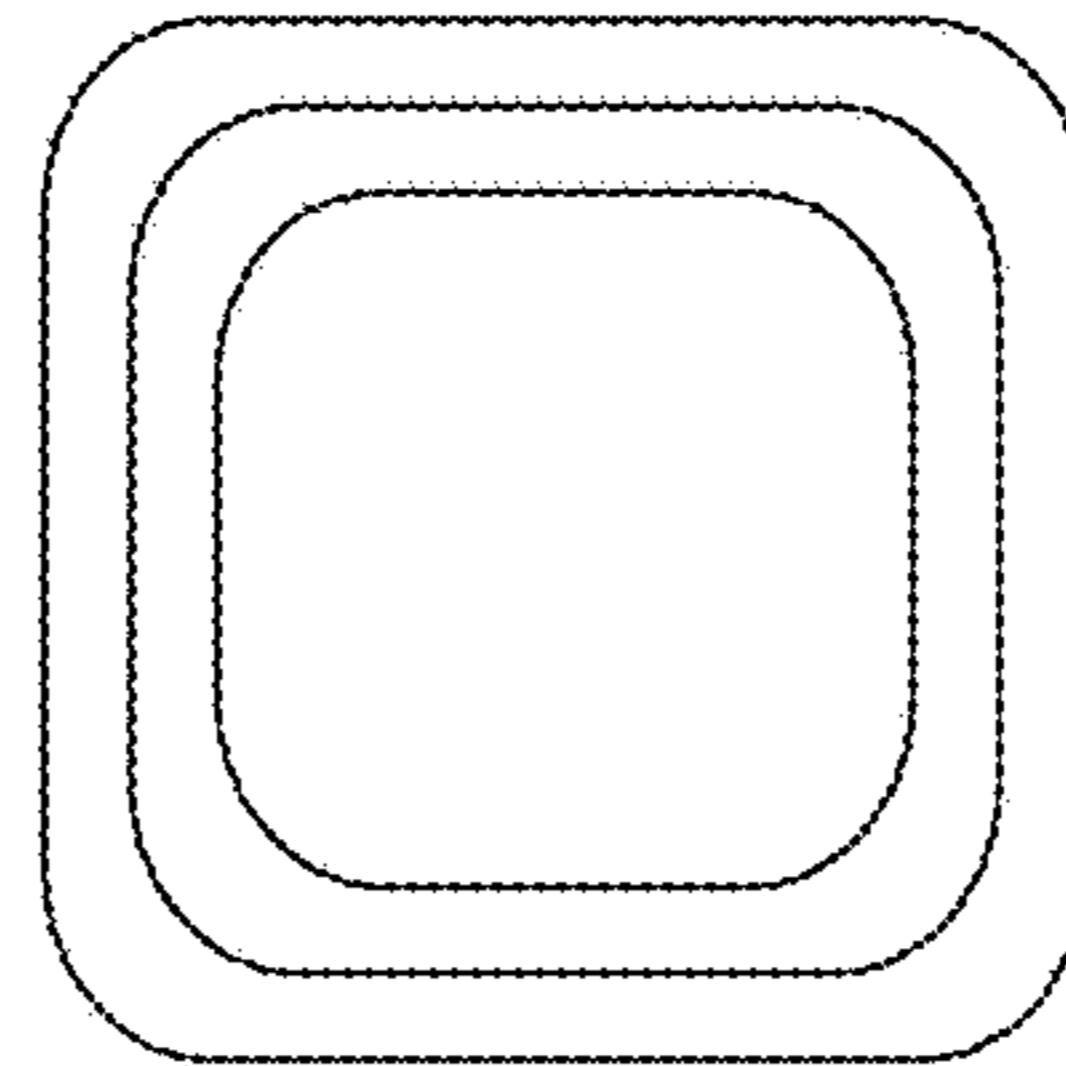


FIG. 45

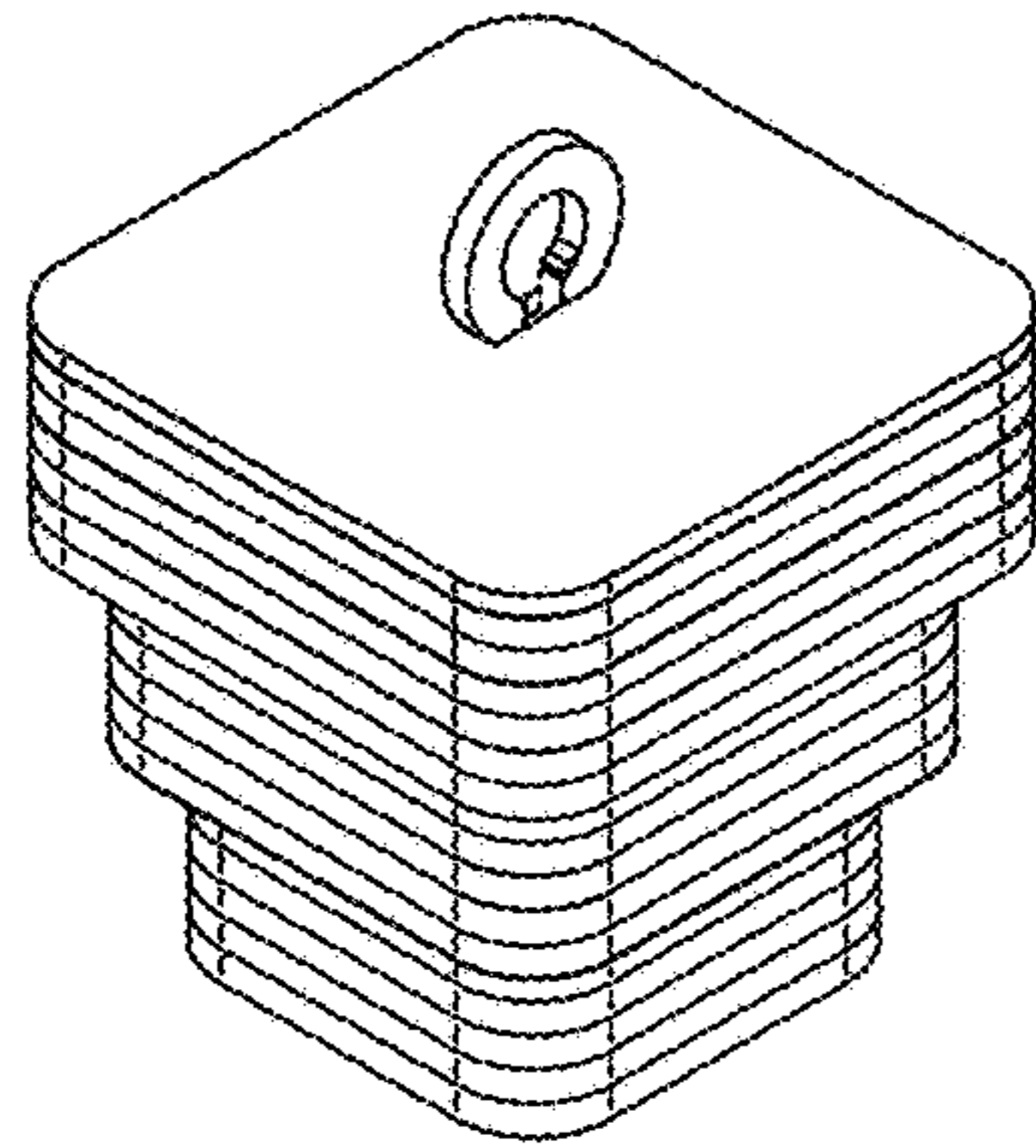


FIG. 46

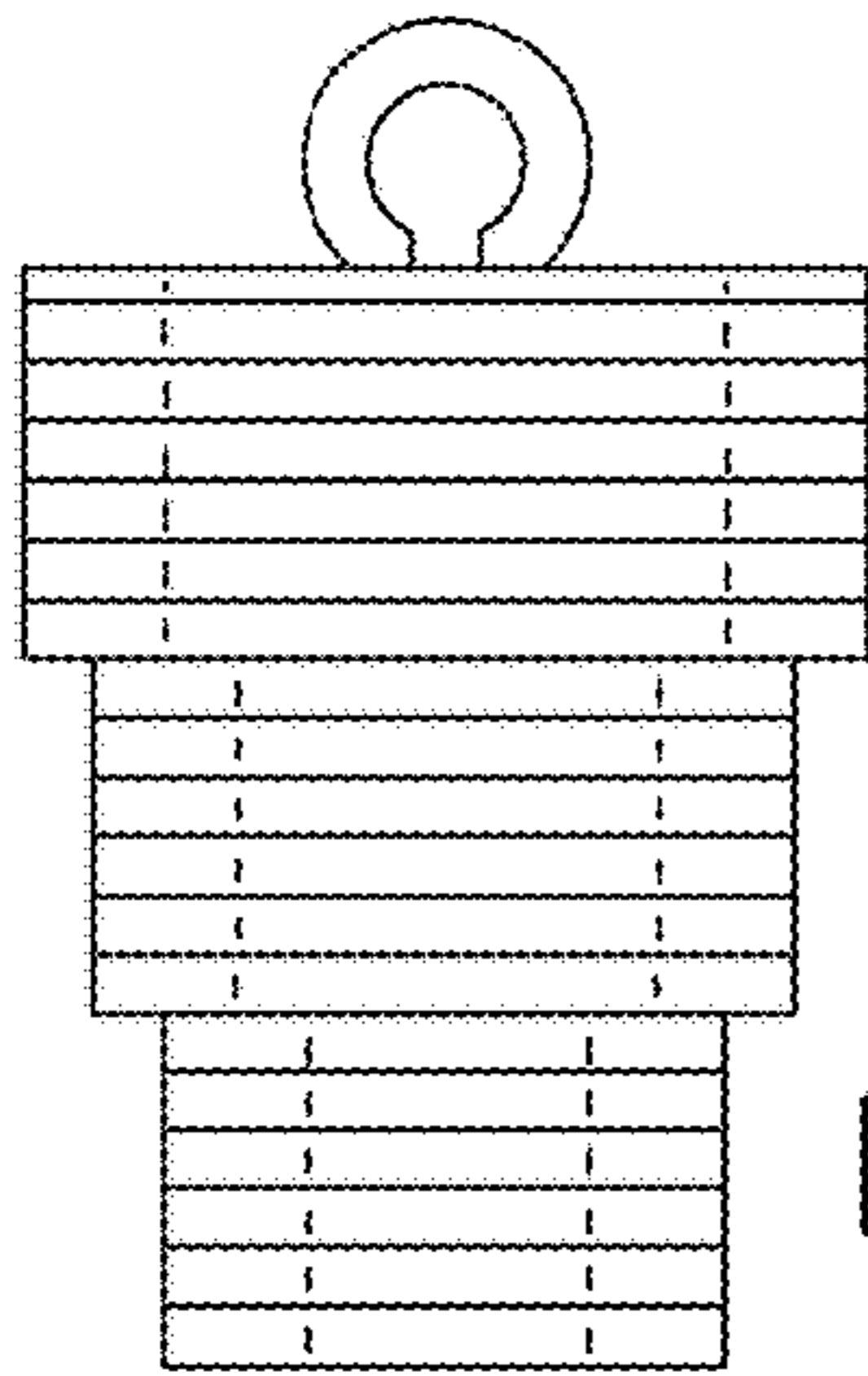


FIG. 47

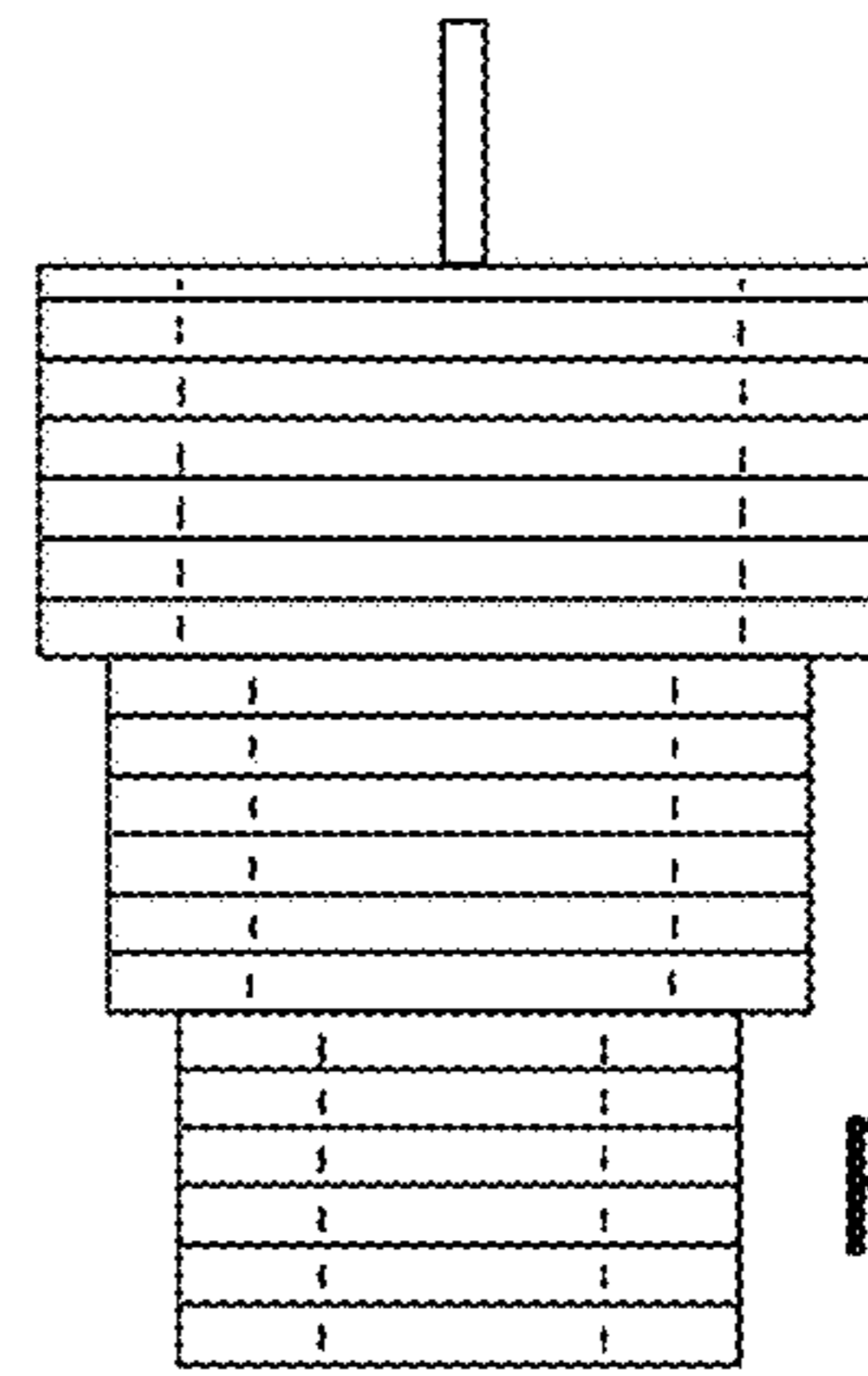


FIG. 48

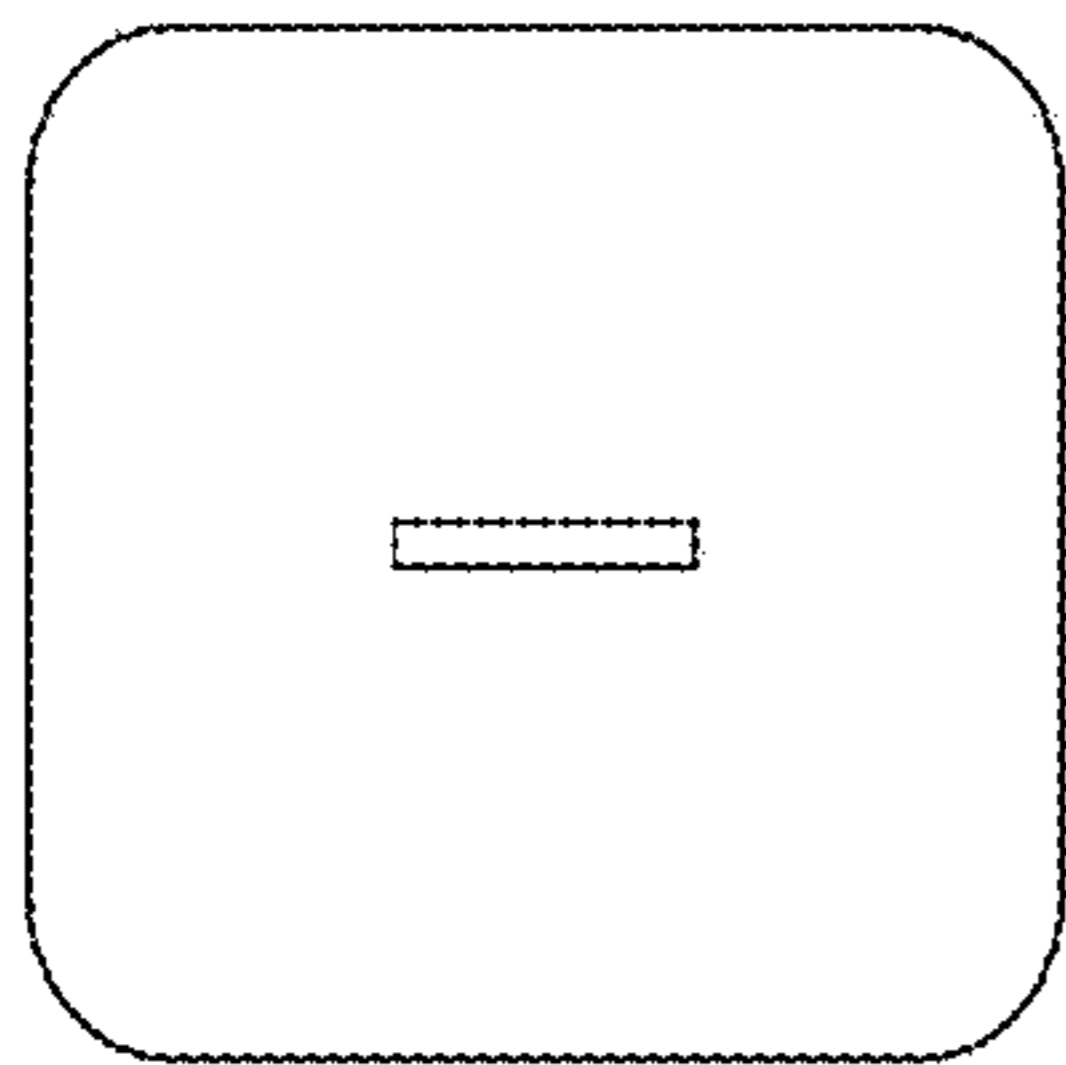


FIG. 49

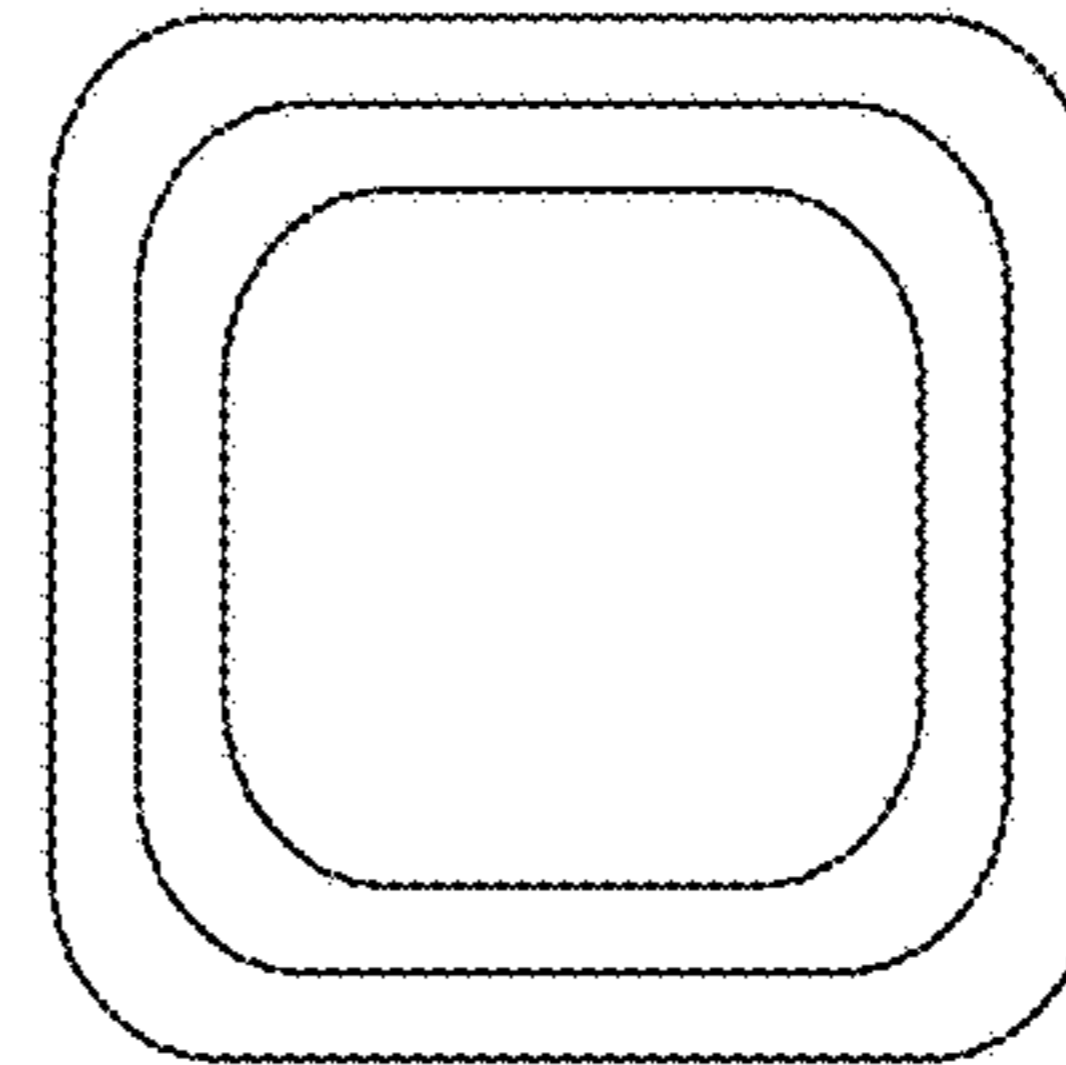


FIG. 50

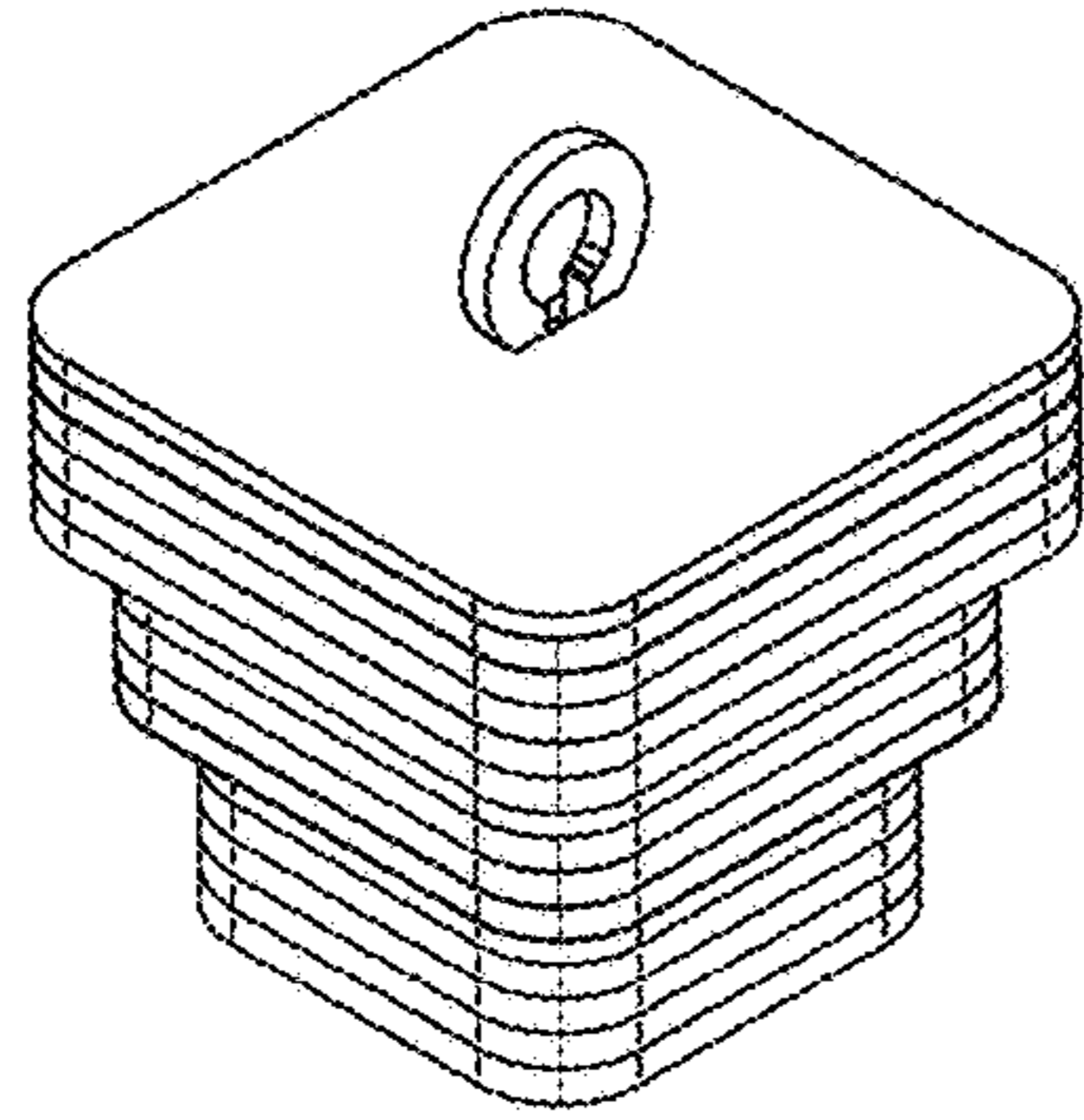


FIG. 51

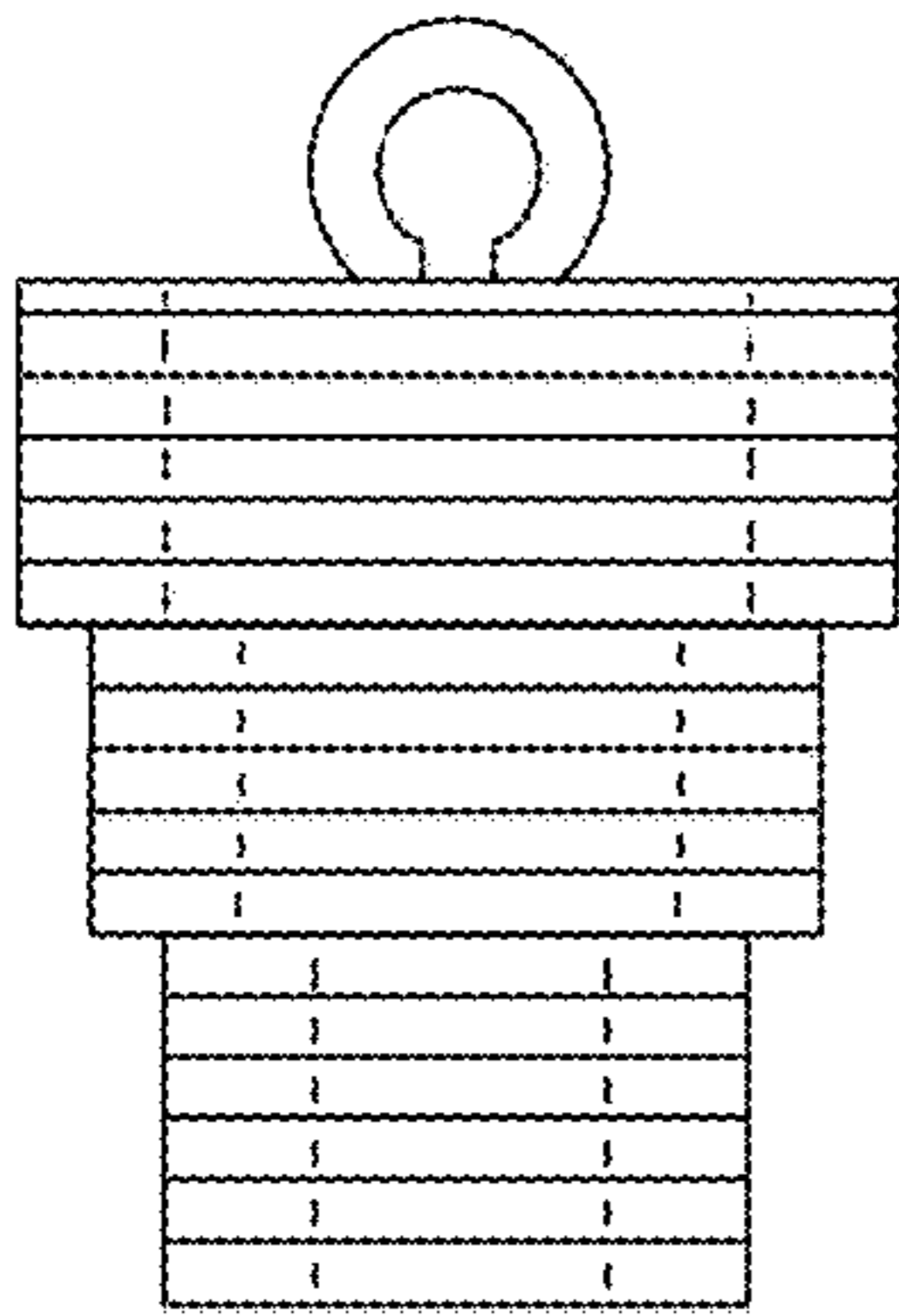


FIG. 52

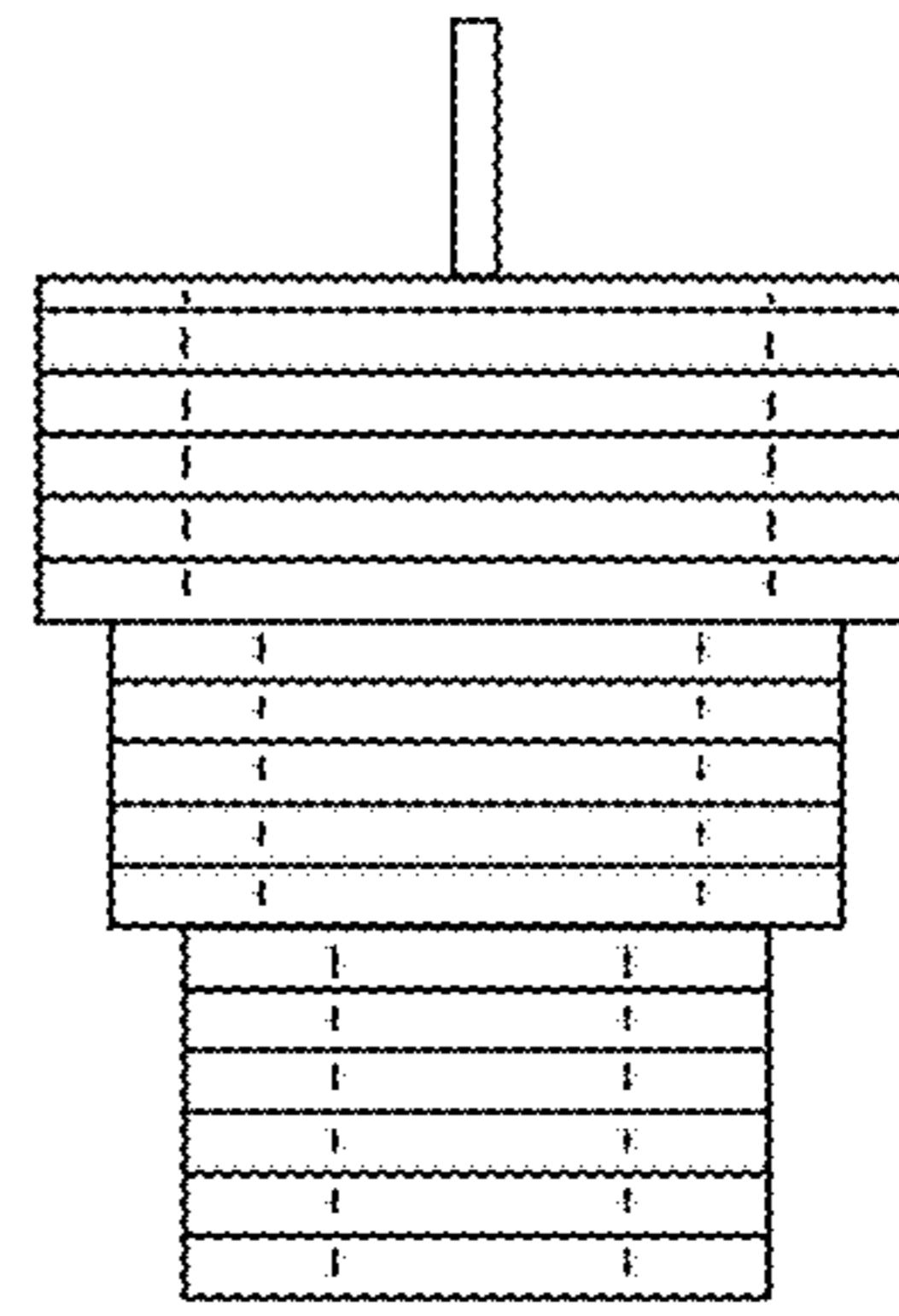


FIG. 53

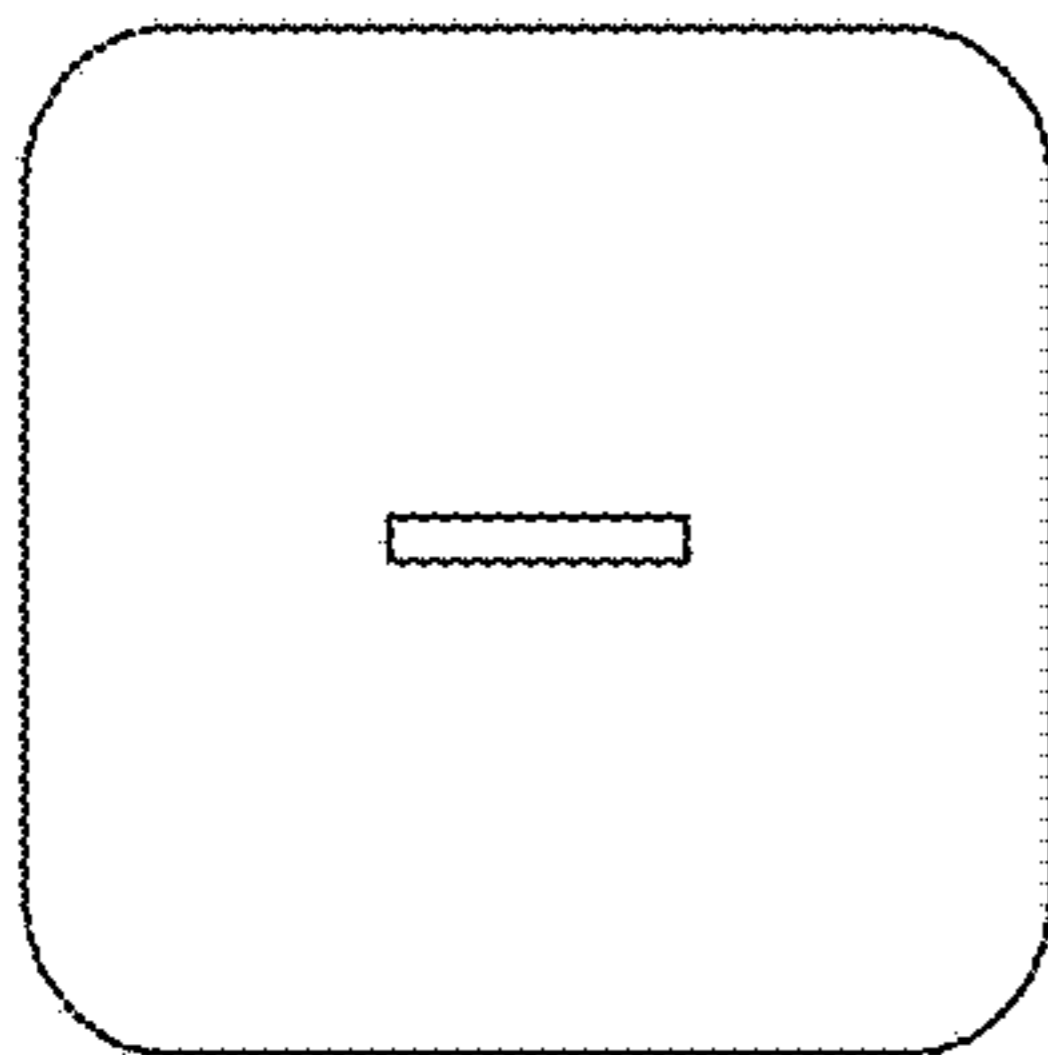


FIG. 54

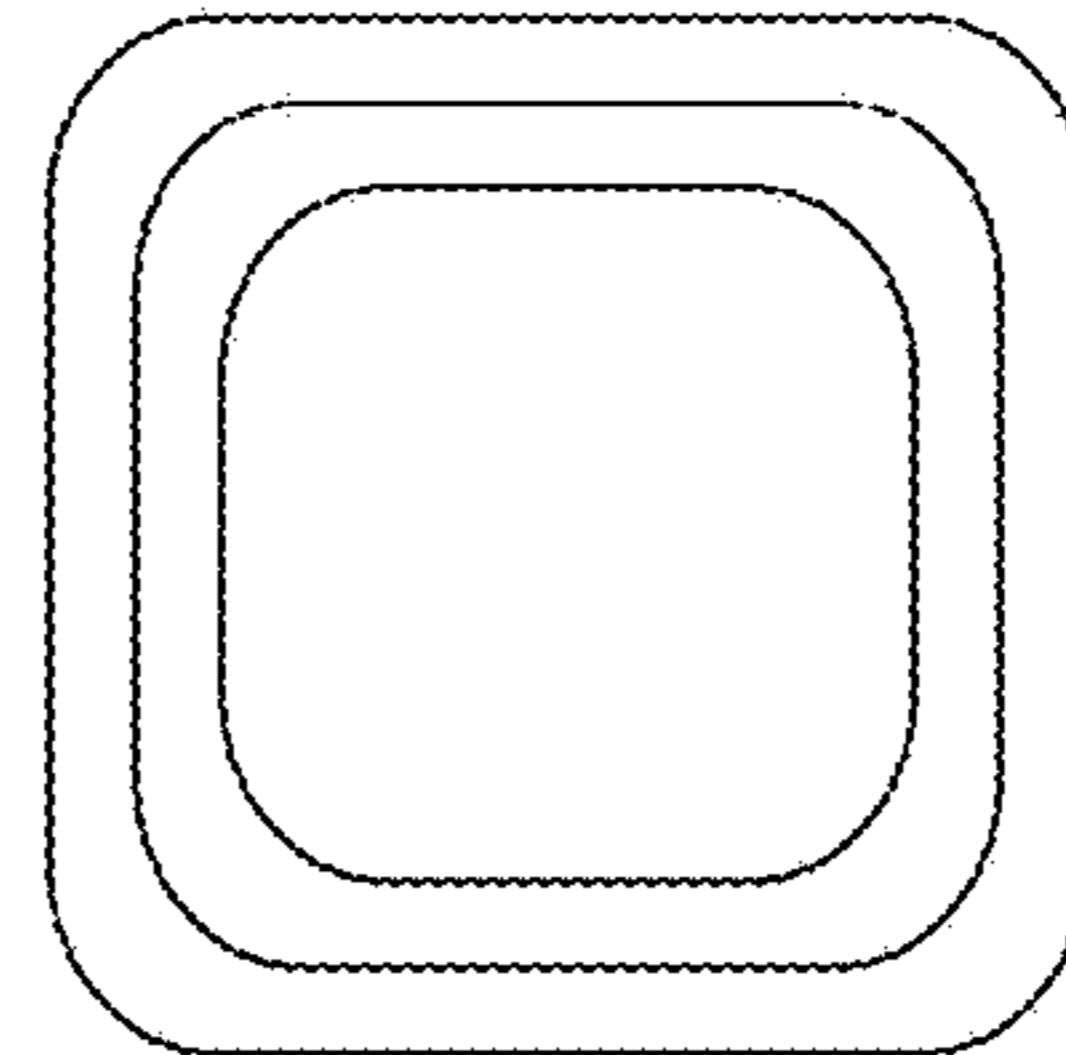


FIG. 55

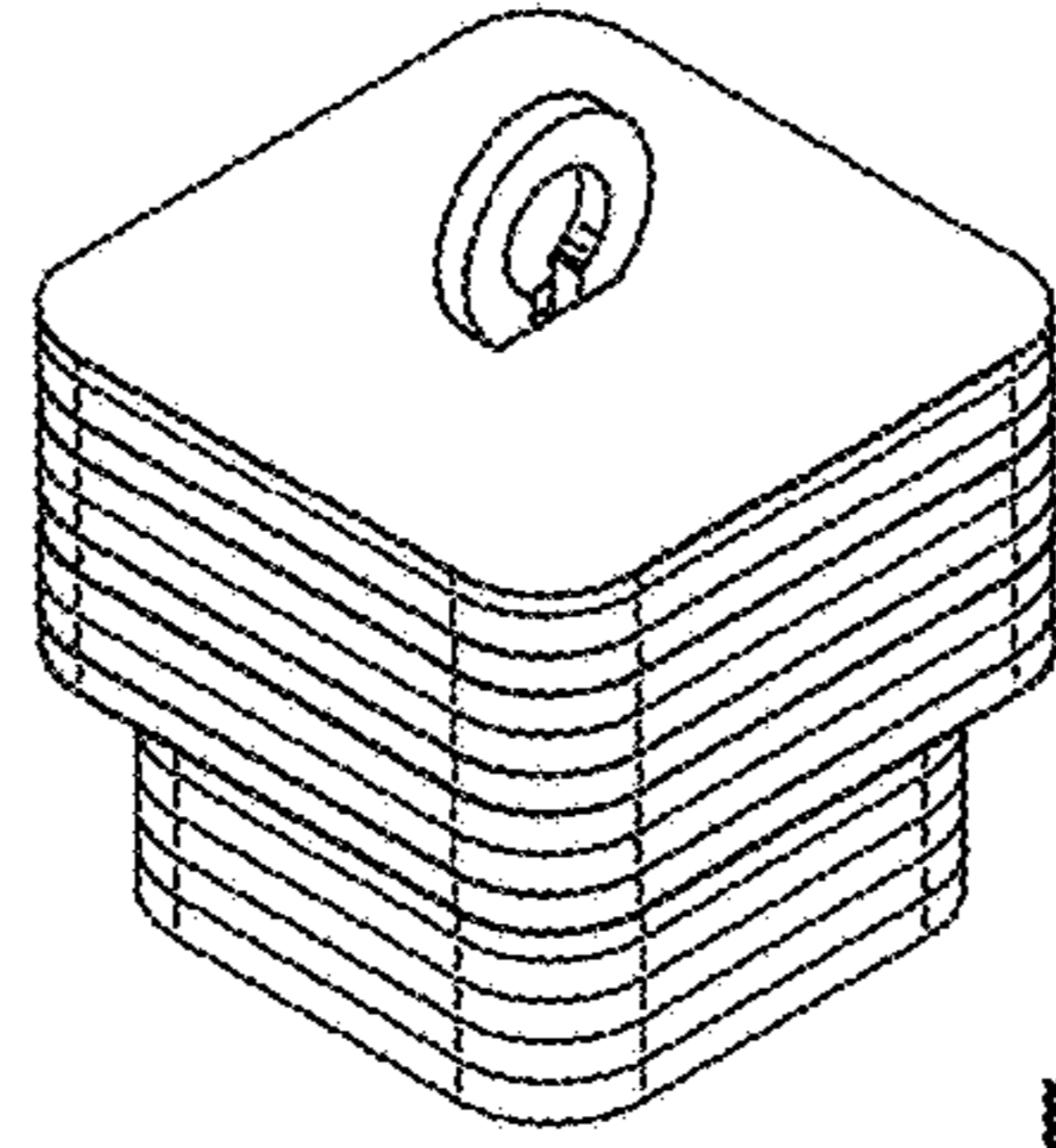


FIG. 56

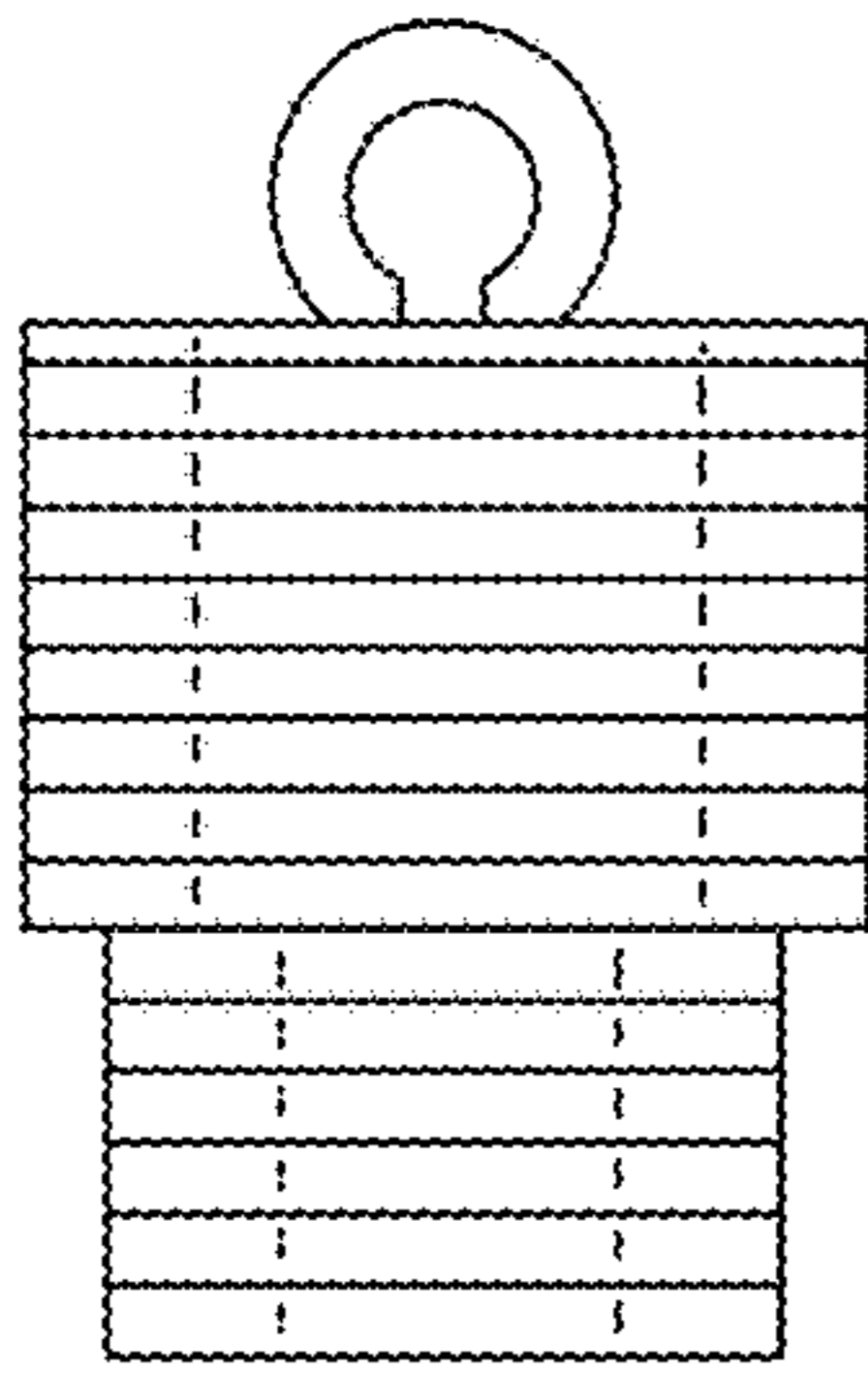


FIG. 57

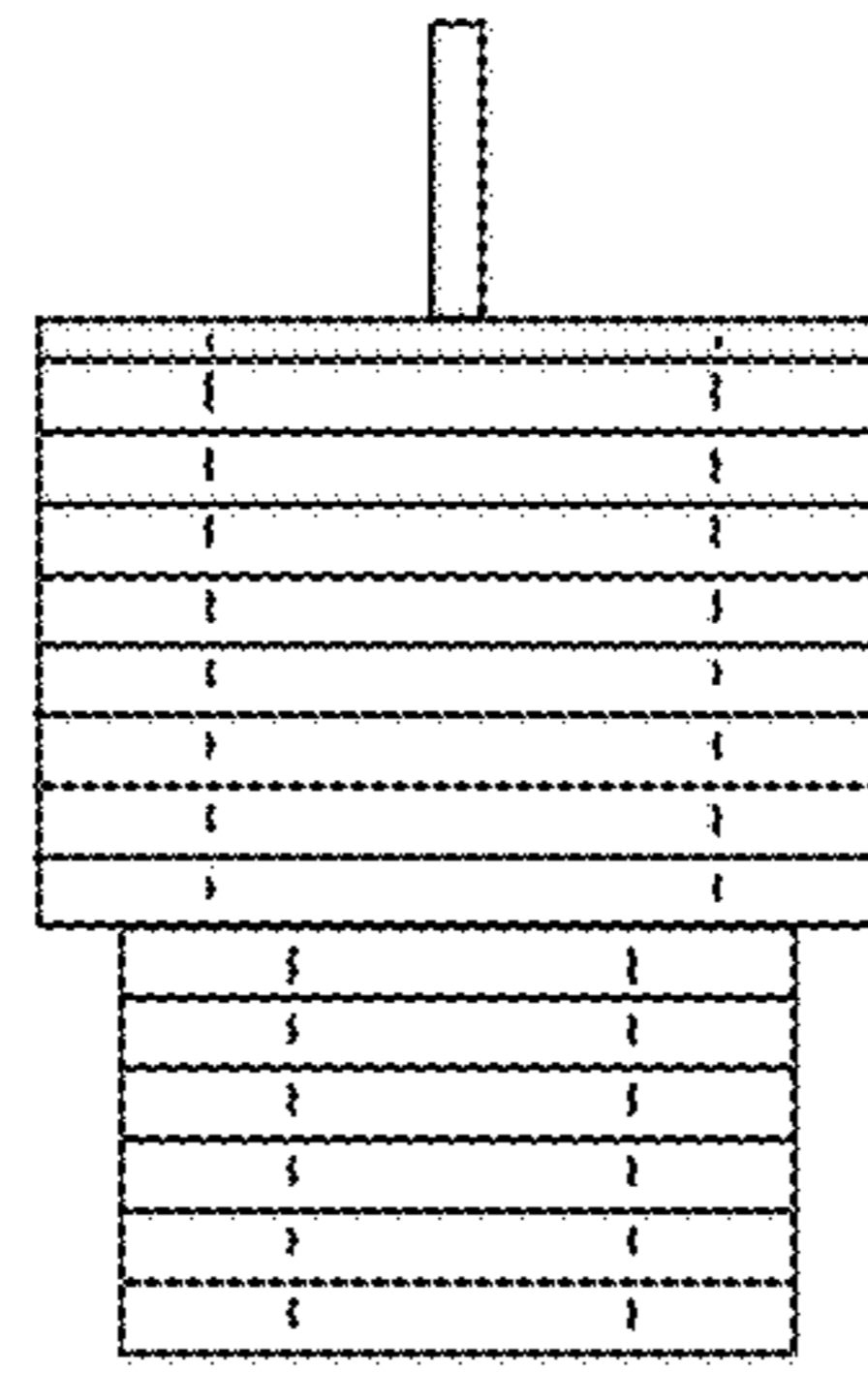


FIG. 58

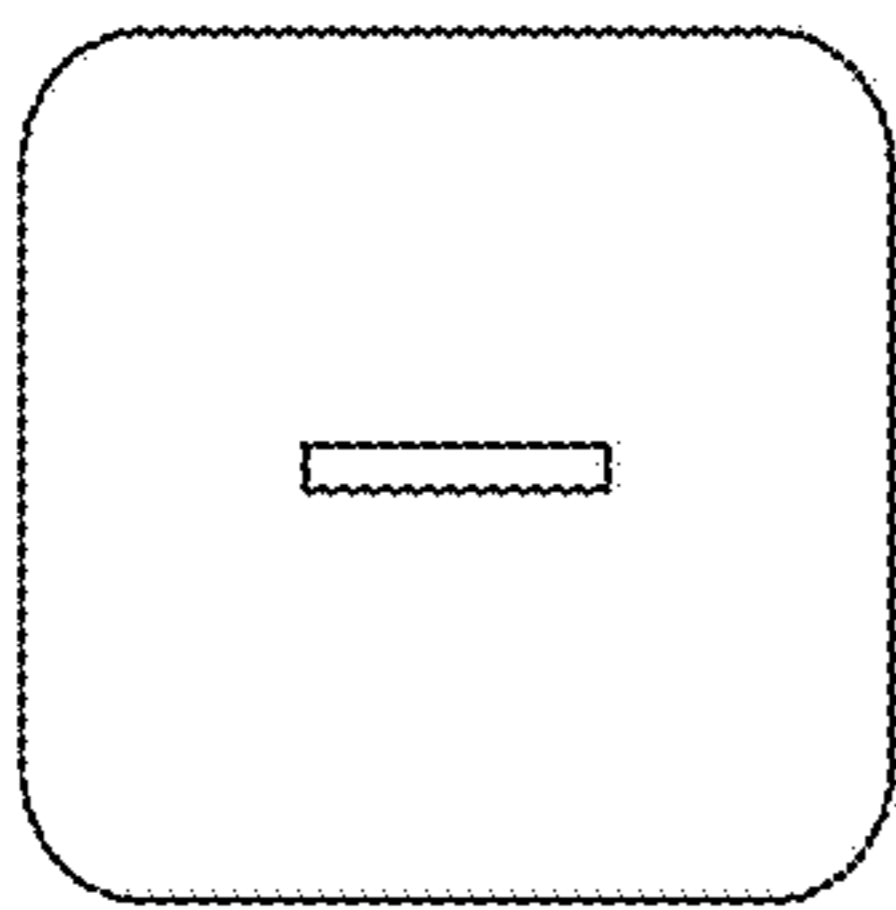


FIG. 59

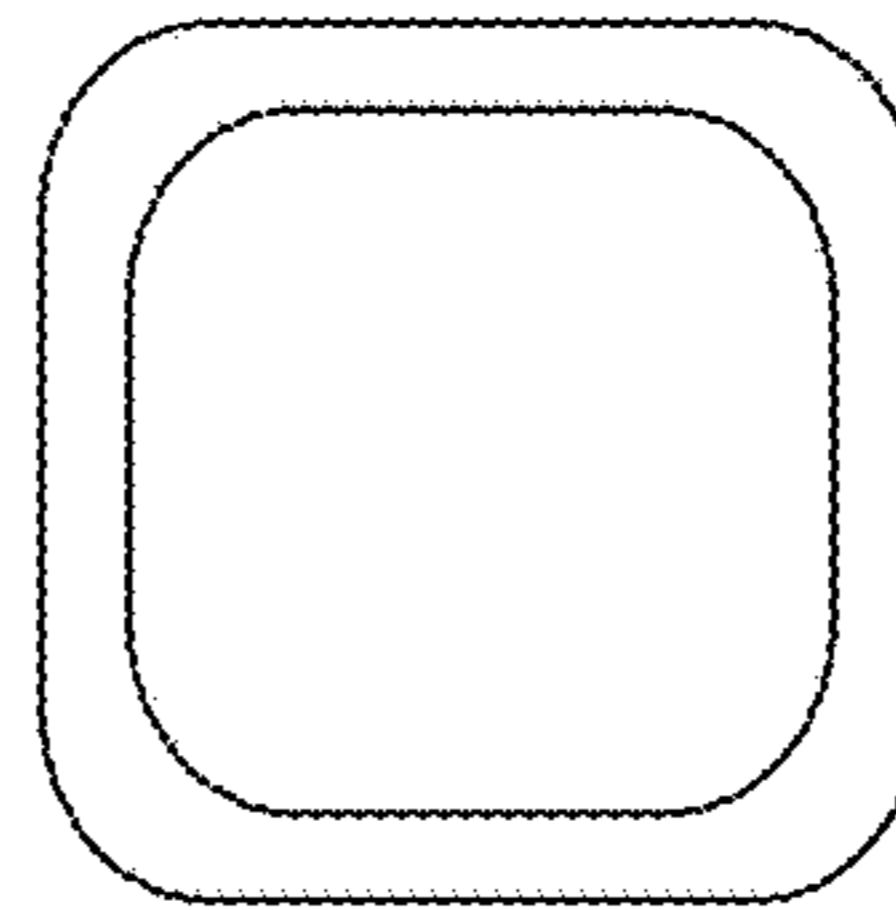


FIG. 60