



US00D844743S

(12) **United States Design Patent** (10) **Patent No.:** **US D844,743 S**
Marchione et al. (45) **Date of Patent:** **** Apr. 2, 2019**

(54) **AERATOR**

(71) Applicant: **Maurice Sporting Goods LLC**,
Northbrook, IL (US)

(72) Inventors: **Greg Marchione**, Volo, IL (US);
Trevor Bending, Winchester, IL (US)

(73) Assignee: **Maurice Sporting Goods LLC**,
Northbrook, IL (US)

(**) Term: **15 Years**

(21) Appl. No.: **29/589,568**

(22) Filed: **Jan. 3, 2017**

Related U.S. Application Data

(63) Continuation-in-part of application No. 15/350,806,
filed on Nov. 14, 2016.

(51) **LOC (11) Cl.** **22-05**

(52) **U.S. Cl.**
USPC **D22/136**

(58) **Field of Classification Search**
USPC D22/134-150, 199; D7/7, 79, 121,
D7/300.1; D9/418, 643; 63/40;
(Continued)

(56) **References Cited**

U.S. PATENT DOCUMENTS

911,051 A * 2/1909 Le Bourgeois B65D 85/324
206/521.2
2,919,120 A 12/1959 Baxter
(Continued)

OTHER PUBLICATIONS

Cannon Tackle Supply, Fishing and Hunting Distributor, Celsius
Ceipaer Aerator Item #25291 (Year: 2018).*

(Continued)

Primary Examiner — Catherine R Oliver-Garcia
(74) *Attorney, Agent, or Firm* — Michael Best &
Friedrich LLP

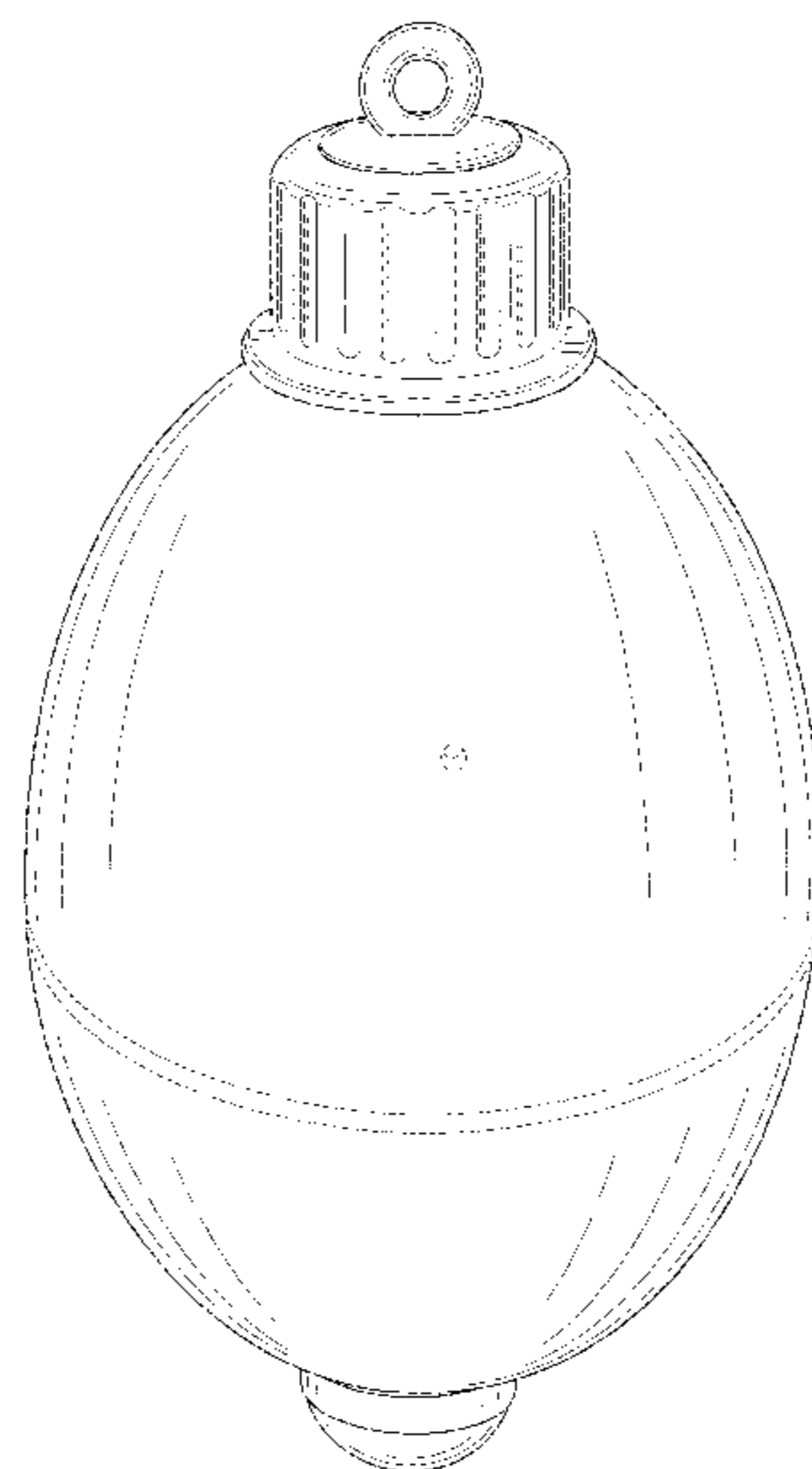
(57) **CLAIM**

The ornamental design for an aerator, as shown and
described.

DESCRIPTION

FIG. 1 is an upper front perspective view of the aerator of
the present invention;
FIG. 2 is a lower front perspective view of the aerator of the
present invention;
FIG. 3 is a front elevation view of the aerator of the present
invention, the rear elevation view being an identical image
thereto;
FIG. 4 is a left side elevation view of the aerator of the
present invention, the right side elevation view being an
identical image thereto;
FIG. 5 is a top view of the aerator of the present invention;
FIG. 6 is a bottom view of the aerator of the present
invention;
FIG. 7 is an upper front perspective view of a second
embodiment of the aerator of the present invention;
FIG. 8 is a lower front perspective view of the second
embodiment of the aerator of the present invention;
FIG. 9 is a front elevation view of the second embodiment
of the aerator of the present invention, the rear elevation
view being an identical image thereto;
FIG. 10 is a left side elevation view of the second embodi-
ment of the aerator of the present invention, the right side
elevation view being an identical image thereto;
FIG. 11 is a top view of the second embodiment of the
aerator of the present invention; and,
FIG. 12 is a bottom view of the second embodiment of the
aerator of the present invention.
The broken lines depict portions of the article that form no
part of the claimed design.

1 Claim, 12 Drawing Sheets



(58) **Field of Classification Search**

USPC 119/261, 263, 713; 206/521.2; 220/4.26;
 452/54; 43/57
 CPC A01K 63/042; A01K 97/02; A22B 3/086;
 A44C 13/00; B65D 85/324
 See application file for complete search history.

7,355,147	B2	4/2008	Wang	
7,484,671	B2	2/2009	Wigglesworth et al.	
8,041,199	B2	10/2011	Reusche et al.	
8,425,109	B2	4/2013	Foss	
D737,136	S *	8/2015	Lam	D9/643
D786,391	S *	5/2017	Phelps	D22/136
D789,241	S *	6/2017	Cao	D11/121
D789,391	S *	6/2017	Cabrera, Jr.	D14/486
2002/0109243	A1	8/2002	Vento	
2005/0028750	A1	2/2005	Johnston	
2005/0217605	A1	10/2005	Reusche et al.	
2006/0265940	A1	11/2006	McAlee, Jr. et al.	
2007/0014680	A1	1/2007	Gifford et al.	
2010/0180829	A1	7/2010	Bresolin	
2016/0198817	A1*	7/2016	Berka	A44C 13/00 63/40

(56) **References Cited**

U.S. PATENT DOCUMENTS

2,960,321	A	11/1960	Stoots, Jr.	
933,817	A *	9/1961	Beatty	A22B 3/086 119/713
2,998,896	A *	9/1961	Miller	B65D 11/02 220/4.26
3,189,334	A	6/1965	Bell	
4,253,262	A	3/1981	Johnson	
4,896,452	A	1/1990	Smith et al.	
4,911,141	A	3/1990	Manuel	
5,282,962	A	2/1994	Chen	
5,938,981	A *	8/1999	Burgess	A01K 63/042 119/263
6,073,585	A	6/2000	Horvath	
D480,590	S *	10/2003	Linz	D7/300.1
6,778,763	B1	8/2004	Reusche et al.	

OTHER PUBLICATIONS

South Bend, Egg Aerator, 1906-2018, Previewed on YouTube Jul. 3, 2016.*
 Marchione, et al., Co-Pending U.S. Appl. No. 15/350,806 entitled "Combination Aeration and Fishing Hole Deicing Apparatus", filed Nov. 14, 2016, having common inventors and assignee in the present application.

* cited by examiner

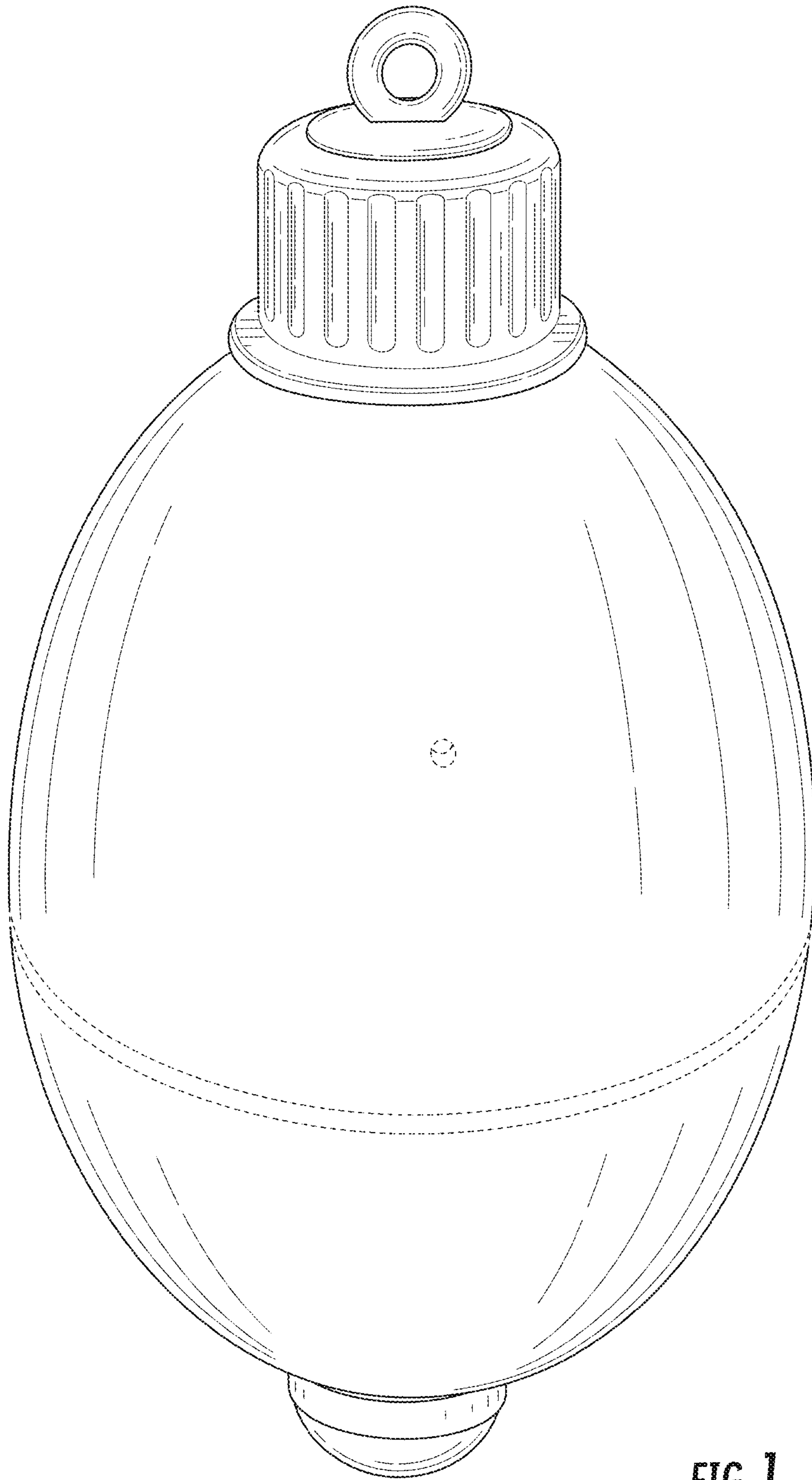


FIG. 1

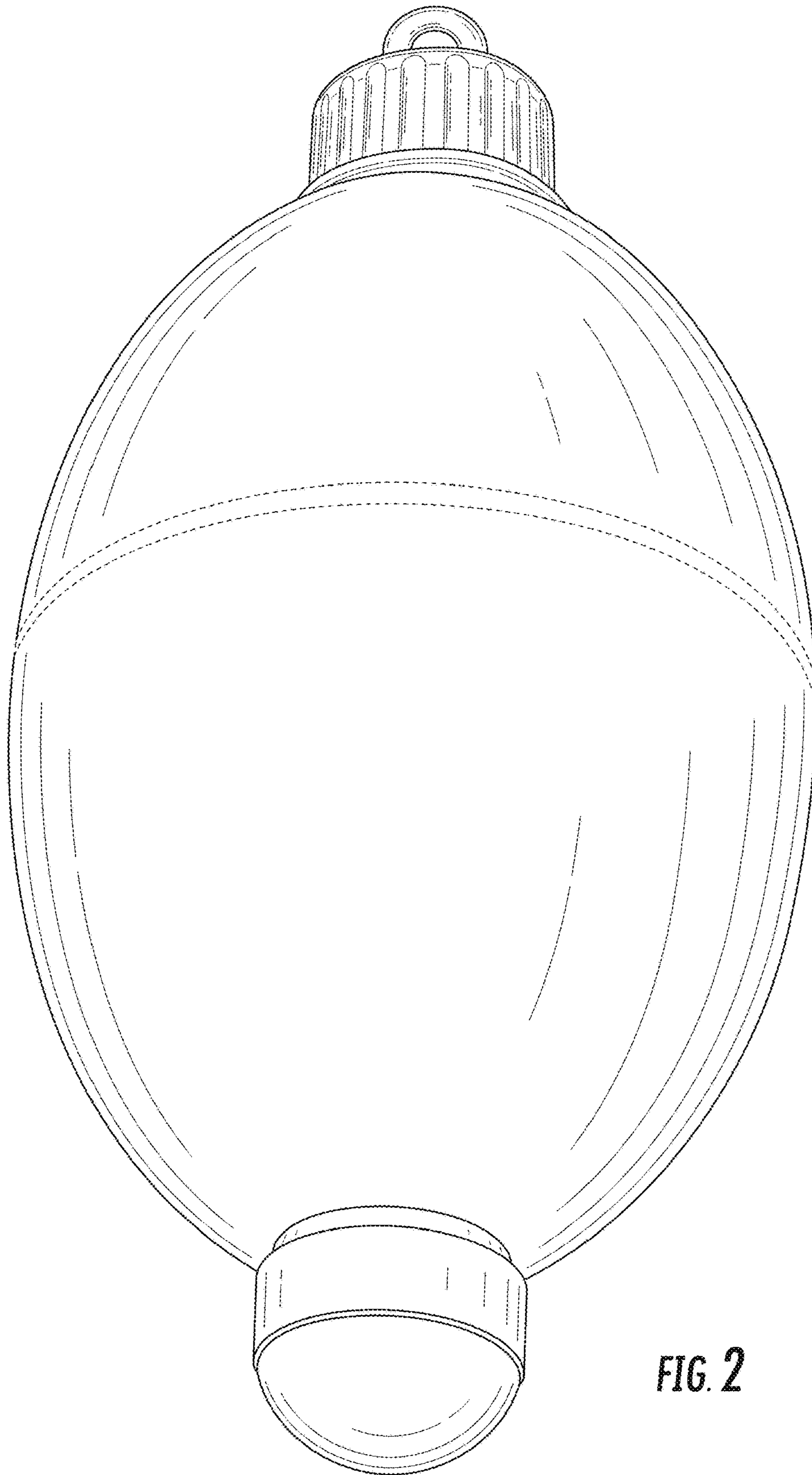


FIG. 2

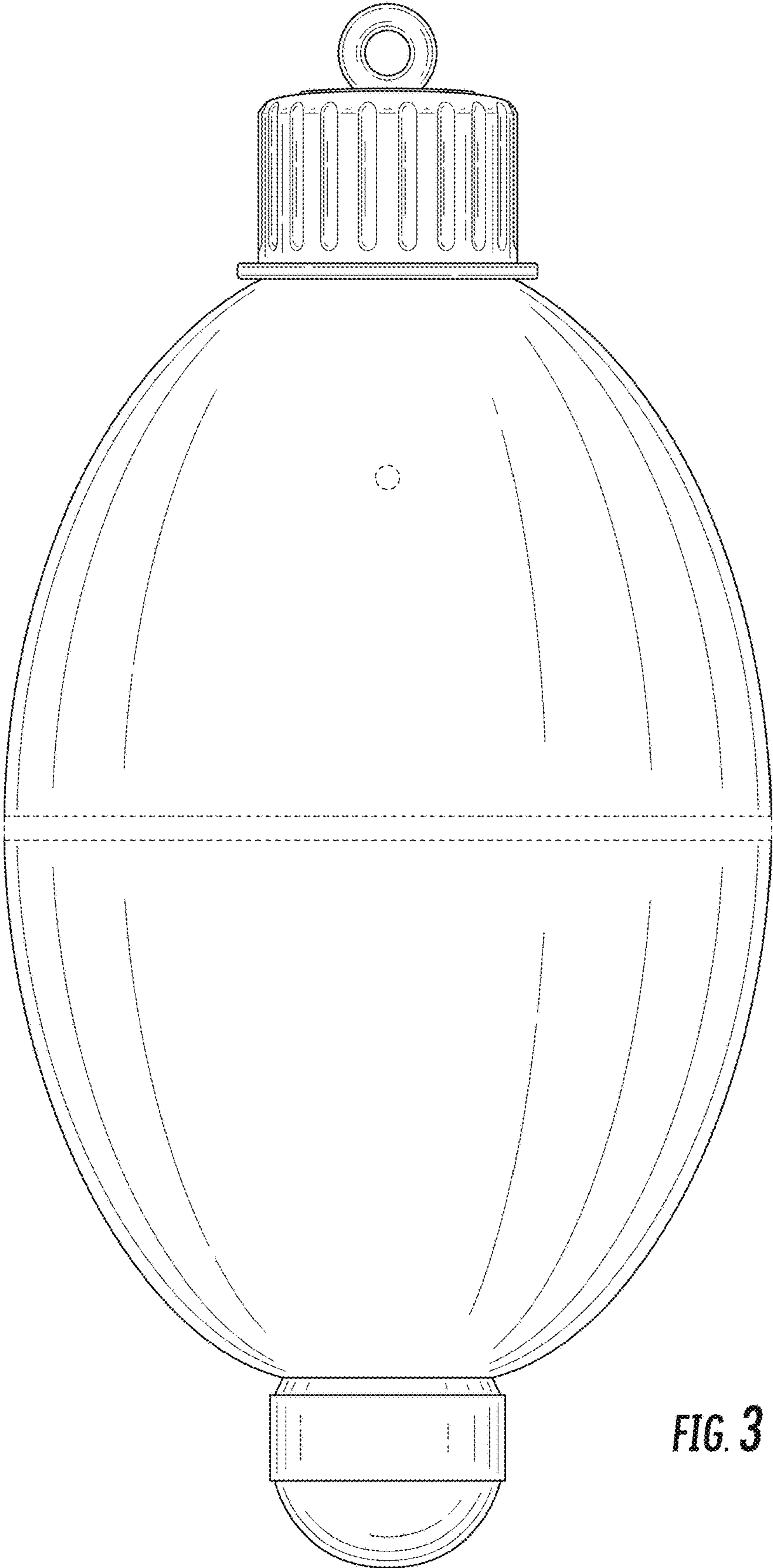


FIG. 3

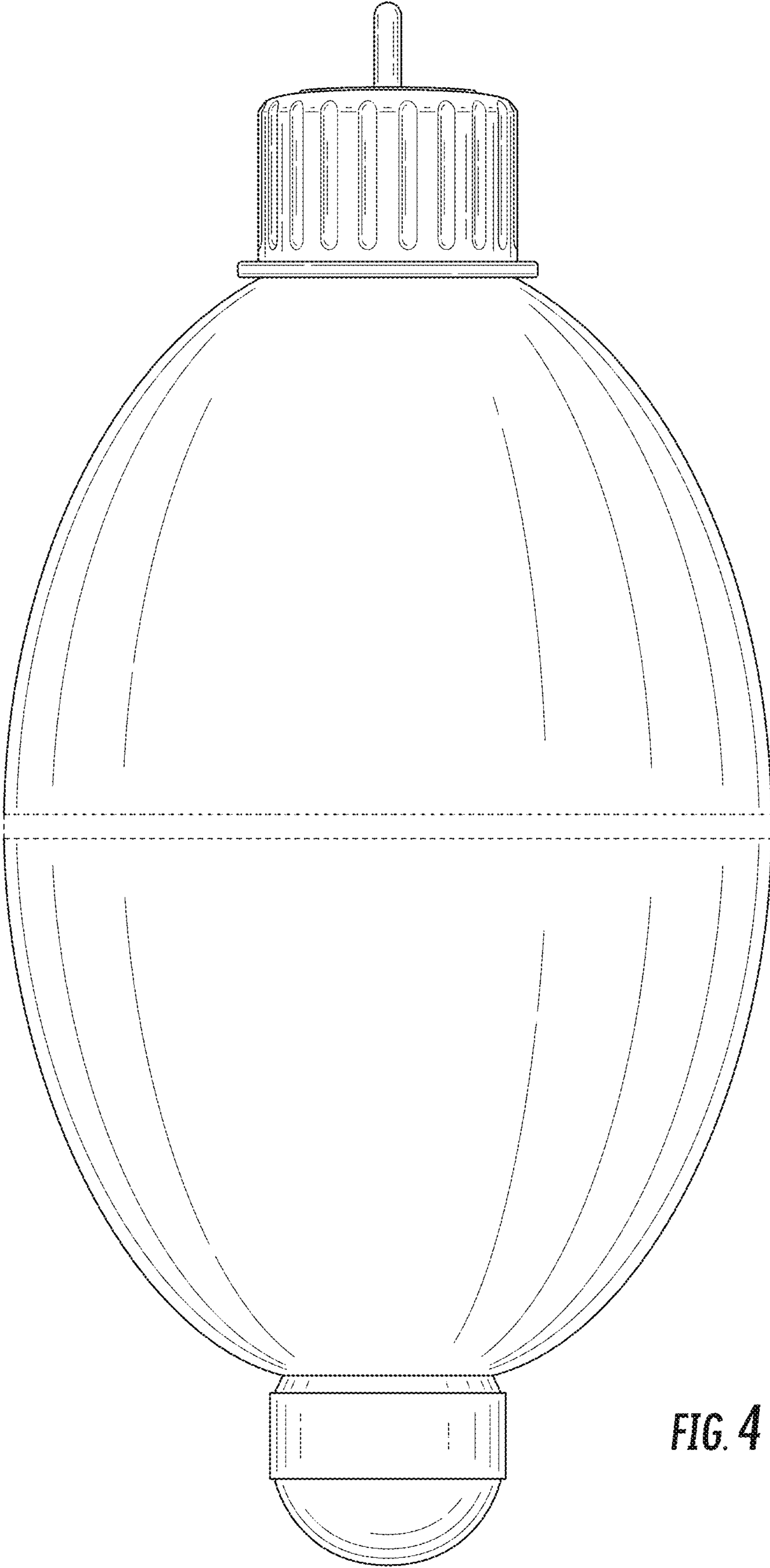


FIG. 4

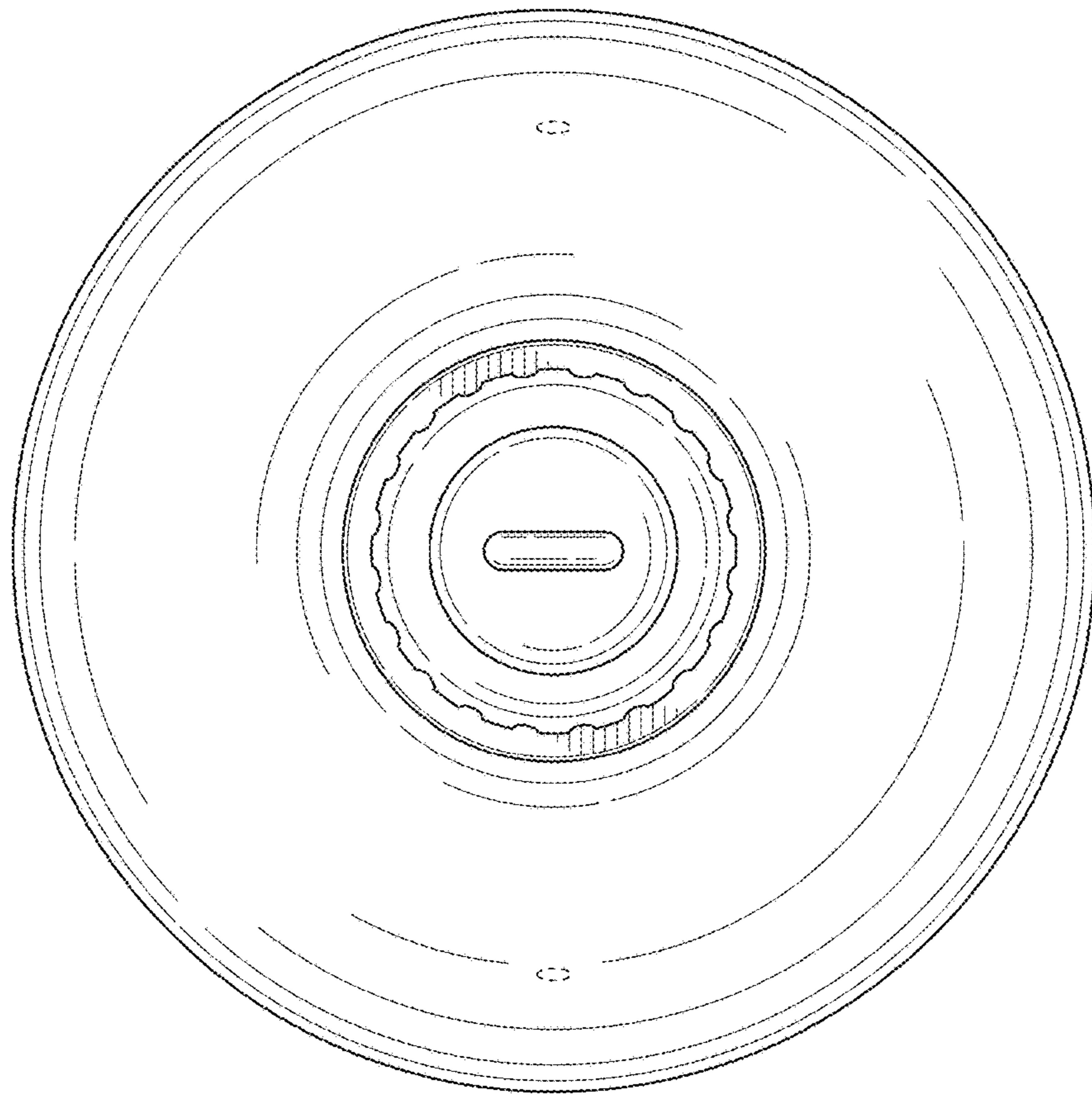


FIG. 5

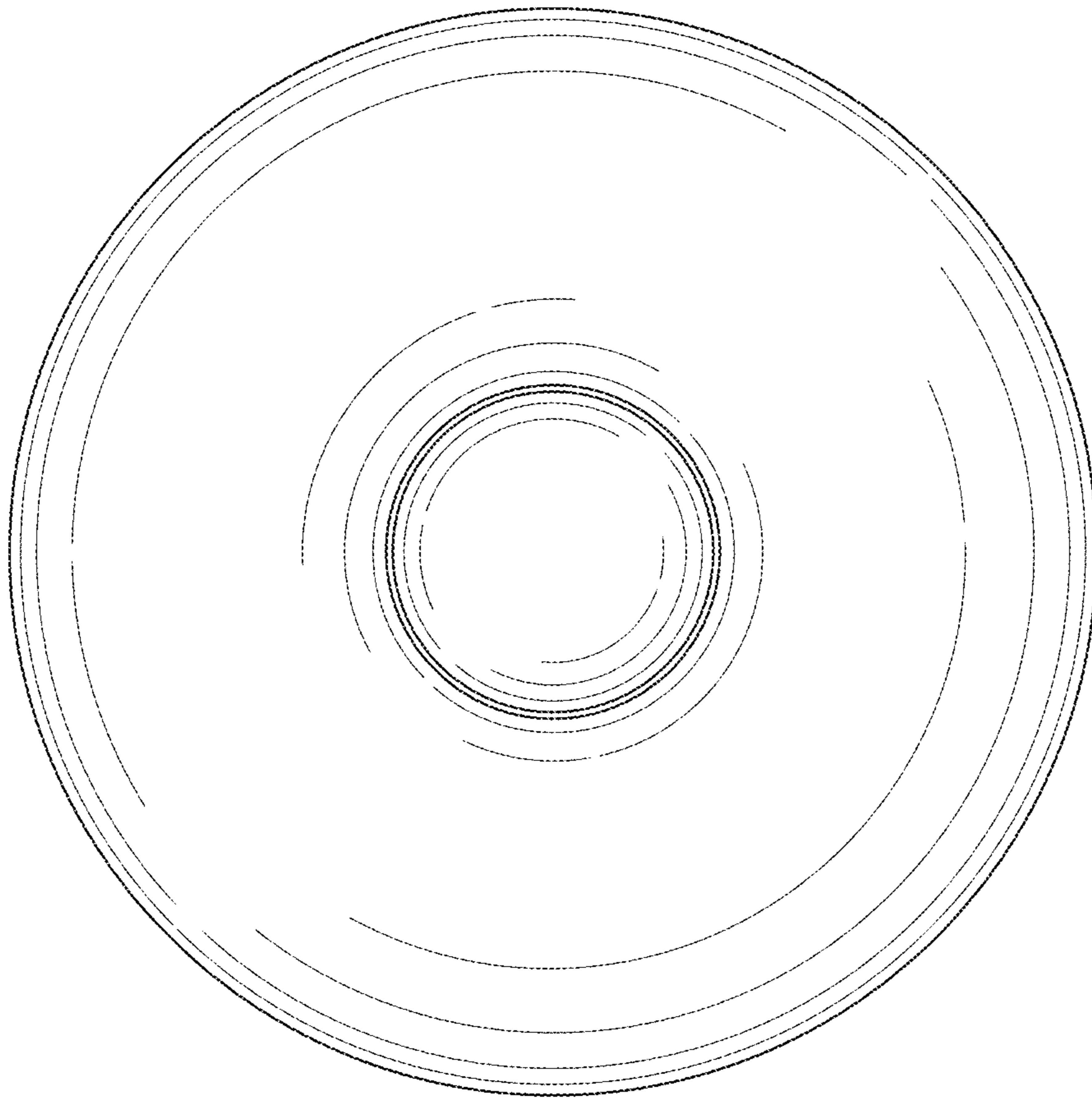


FIG. 6

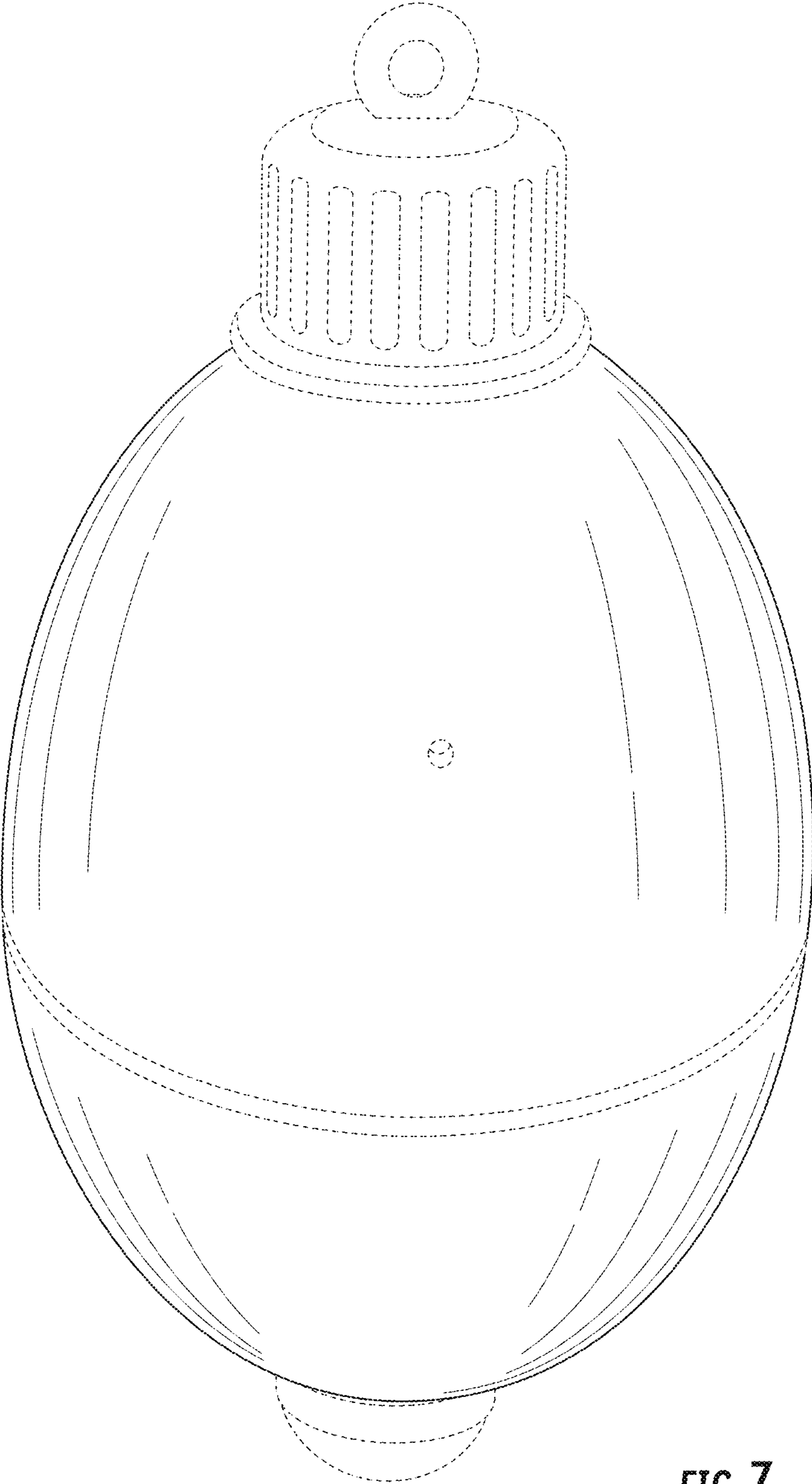


FIG. 7

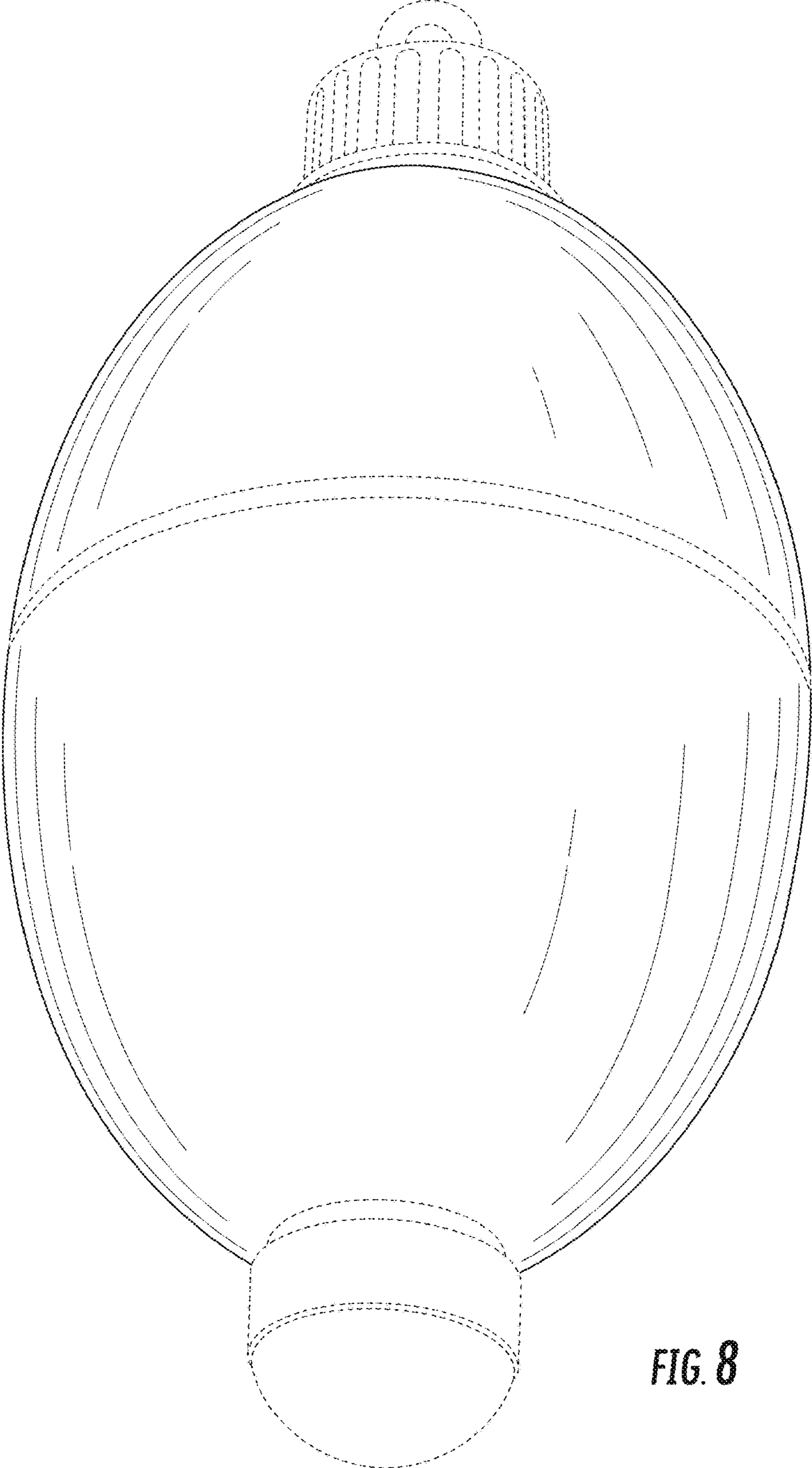


FIG. 8

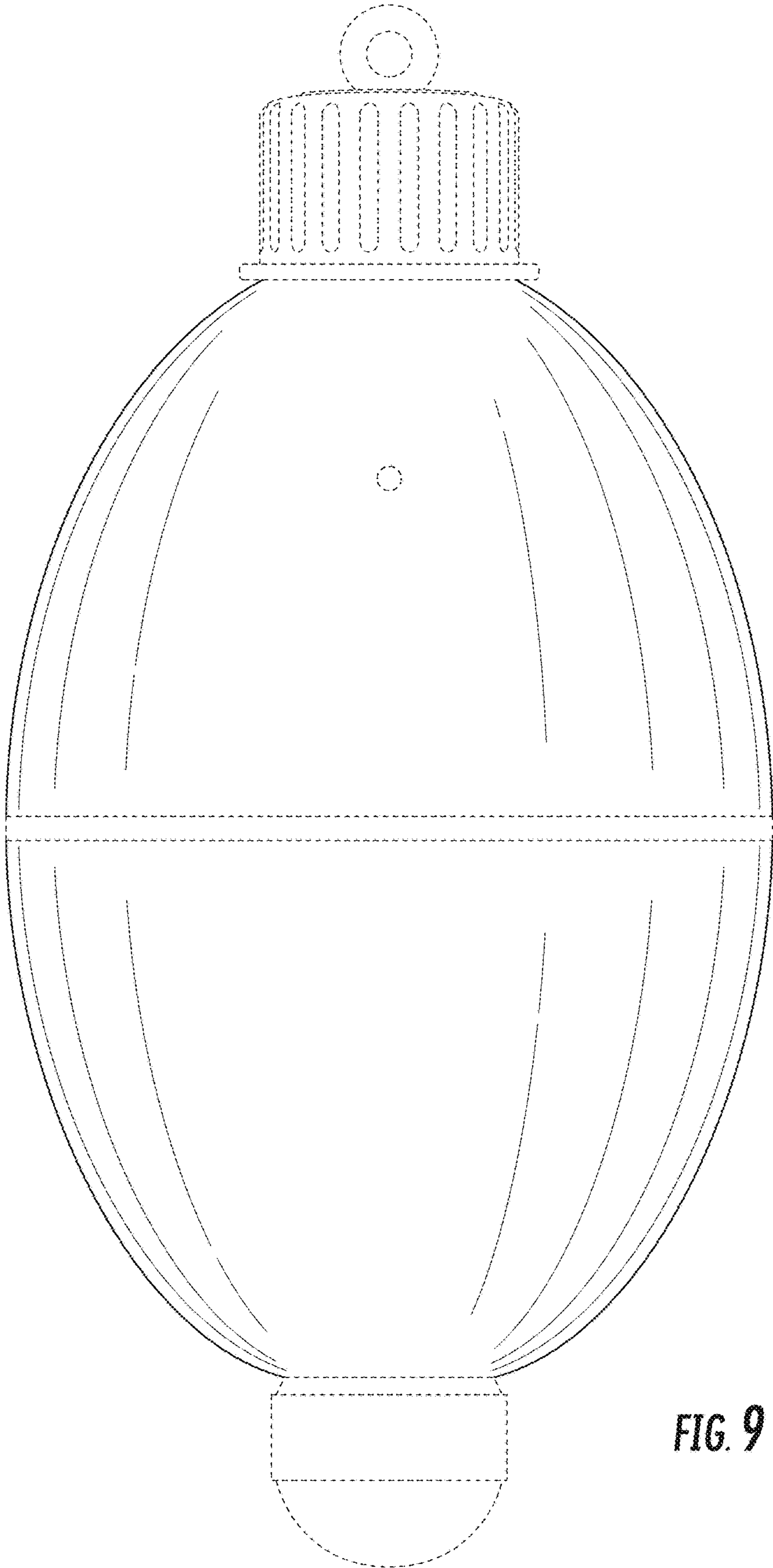


FIG. 9

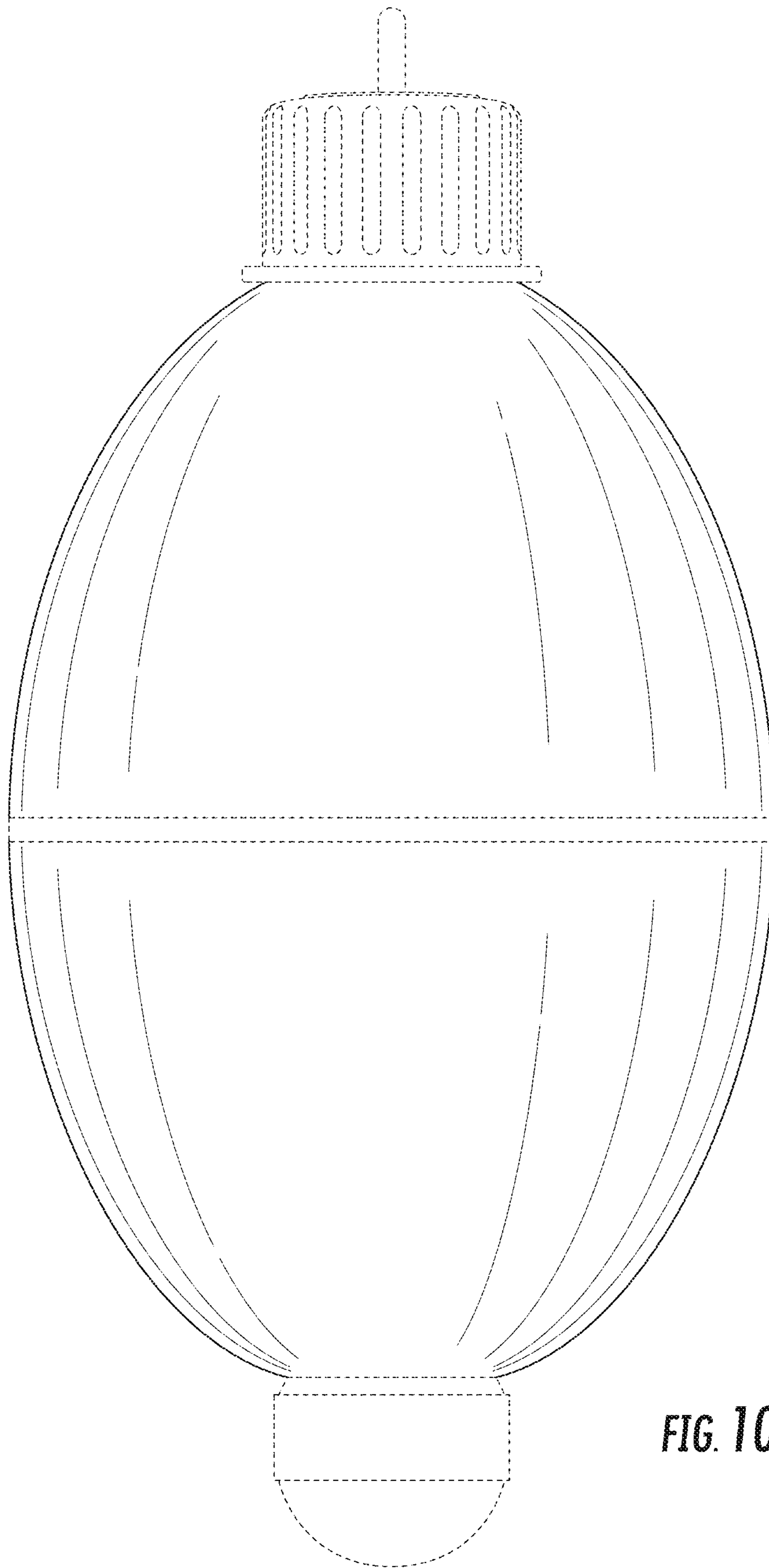


FIG. 10

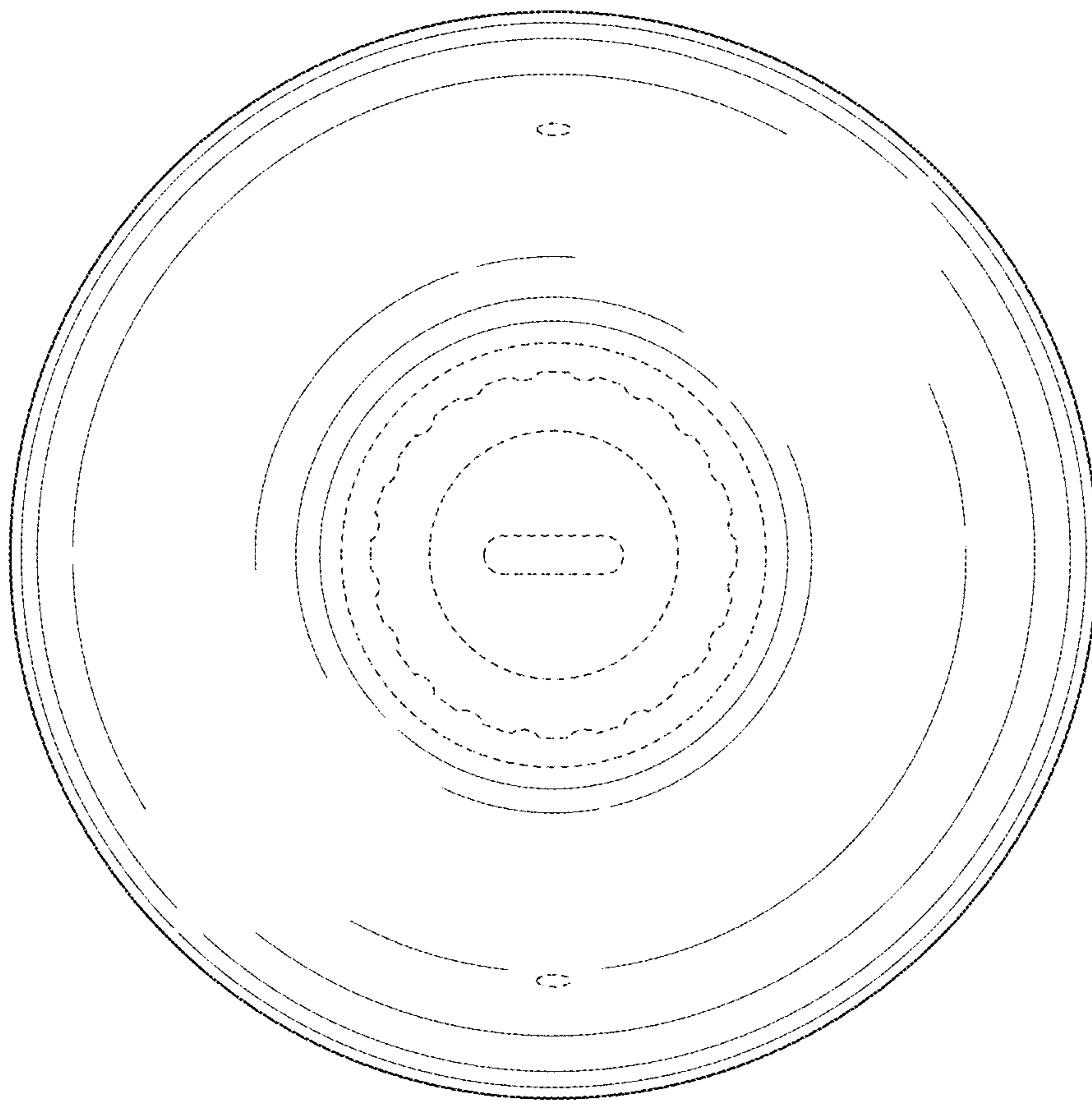


FIG. 11

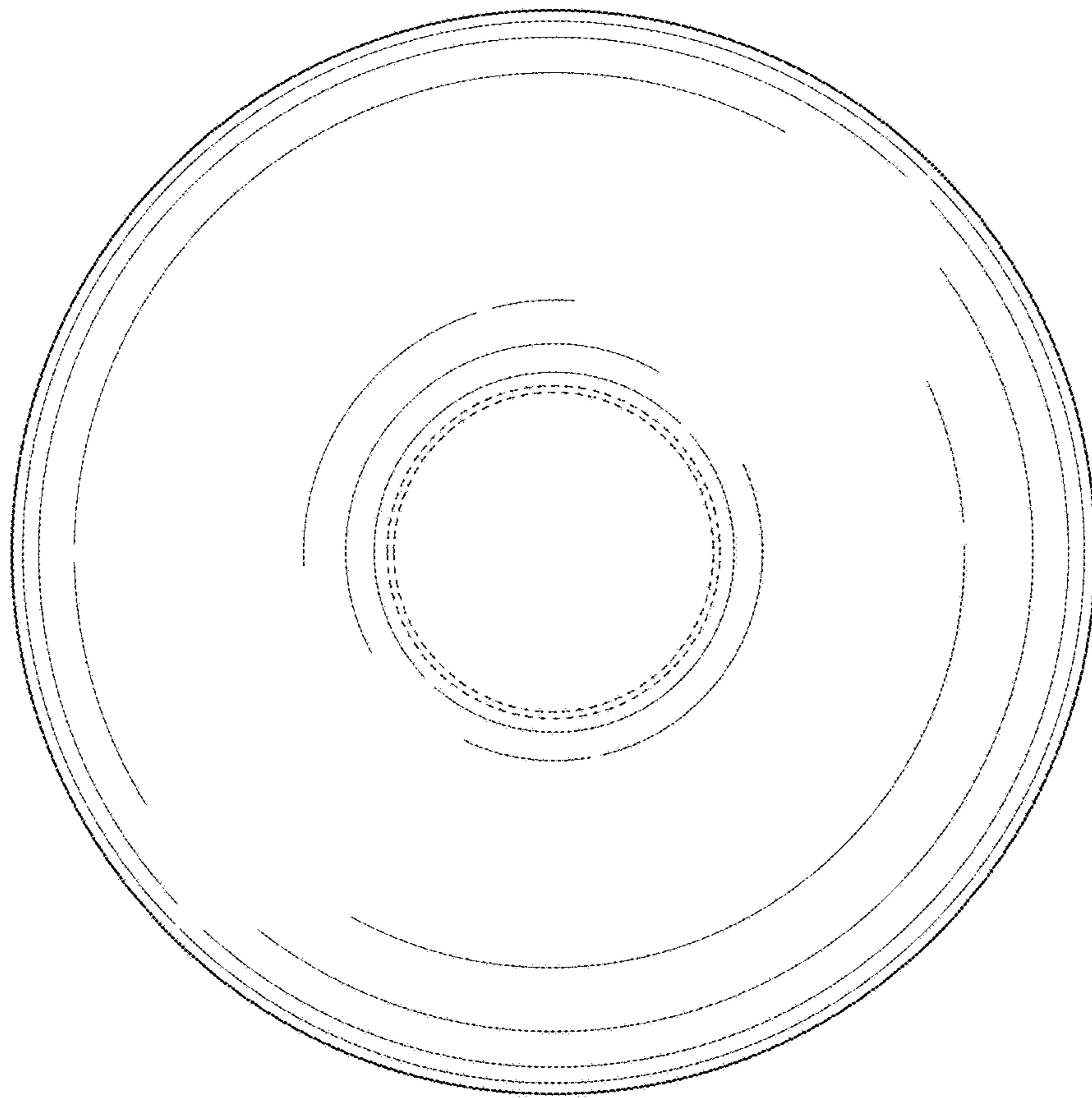


FIG. 12