

US00D844736S

(12) **United States Design Patent**
Tipton

(10) **Patent No.:** **US D844,736 S**

(45) **Date of Patent:** **** Apr. 2, 2019**

(54) **INVERTIBLE CHEEK PIECE MOUNT**

(71) Applicant: **Gentry Lee Tipton**, Bono, AR (US)

(72) Inventor: **Gentry Lee Tipton**, Bono, AR (US)

(**) Term: **15 Years**

(21) Appl. No.: **29/637,046**

(22) Filed: **Feb. 13, 2018**

(51) **LOC (11) Cl.** **22-01**

(52) **U.S. Cl.**
USPC **D22/108; D22/110**

(58) **Field of Classification Search**
USPC **D22/104-105, 107-110, 199;**
D21/571-575

CPC **F41C 23/10; F41C 23/14; F41C 23/16;**
F41C 23/18

See application file for complete search history.

(56) **References Cited**

U.S. PATENT DOCUMENTS

7,984,580	B1 *	7/2011	Giauque	F41C 23/14 42/73
D645,533	S *	9/2011	Peterson	D22/108
8,789,306	B1 *	7/2014	Mazzoni	F41C 27/00 42/71.01
D780,279	S *	2/2017	Bosco	D22/108
D788,252	S *	5/2017	Slater	D22/108
D796,617	S *	9/2017	Chow	D22/108
D810,225	S *	2/2018	Huang	D22/108
D819,769	S *	6/2018	Stevens	D22/108
D823,979	S *	7/2018	Stevens	D22/108
D823,980	S *	7/2018	Stevens	D22/108
D831,149	S *	10/2018	Barfoot	D22/108
10,088,267	B2 *	10/2018	Slater	F41C 23/14
2012/0110884	A1 *	5/2012	Criswell	F41C 23/14 42/73
2016/0202016	A1 *	7/2016	Mather	F41C 23/14 42/73
2017/0254614	A1 *	9/2017	Moretti	F41C 23/20
2018/0202756	A1 *	7/2018	Shinkle	F41C 23/14

OTHER PUBLICATIONS

Order ICM, posted at Tipton Tactical, posting date not available. [Site visited Nov. 1, 2018] URL: <<https://www.tiptontactical.org/order>>.*

Leghorn, Nick, Gear Review: Bradley Adjustable Cheek Rest. posting date Jan. 13, 2014. [Site visited Nov. 1, 2018] URL: <<https://www.thetruthaboutguns.com/2014/01/foghorn/gear-review-bradley-adjustable-cheek-rest/>> (Year: 2014).*

* cited by examiner

Primary Examiner — Kevin K Rudzinski

Assistant Examiner — Kathleen L Jones

(74) *Attorney, Agent, or Firm* — Stephen D. Schrantz;
Schrantz Law Firm, PLLC

(57) **CLAIM**

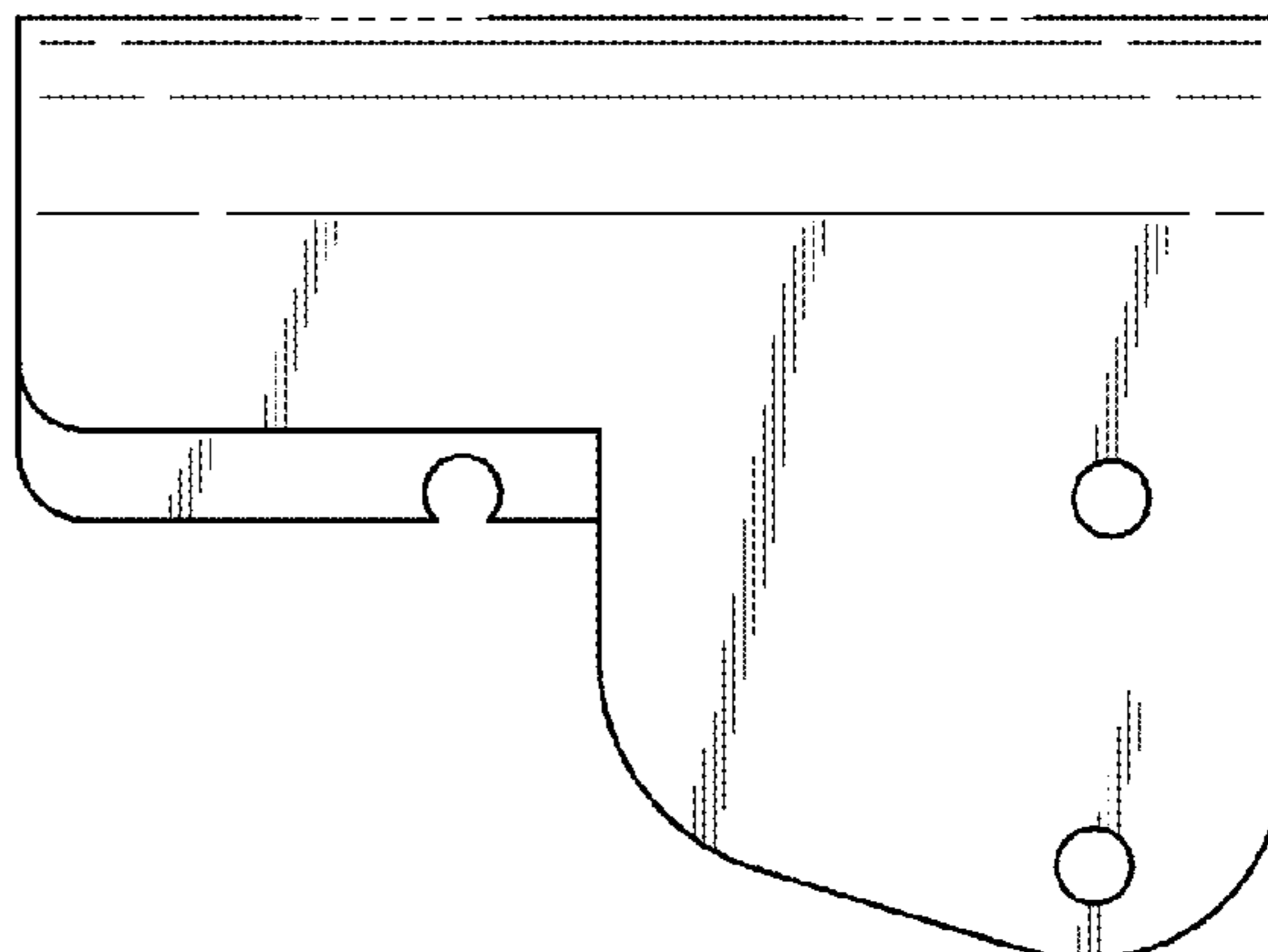
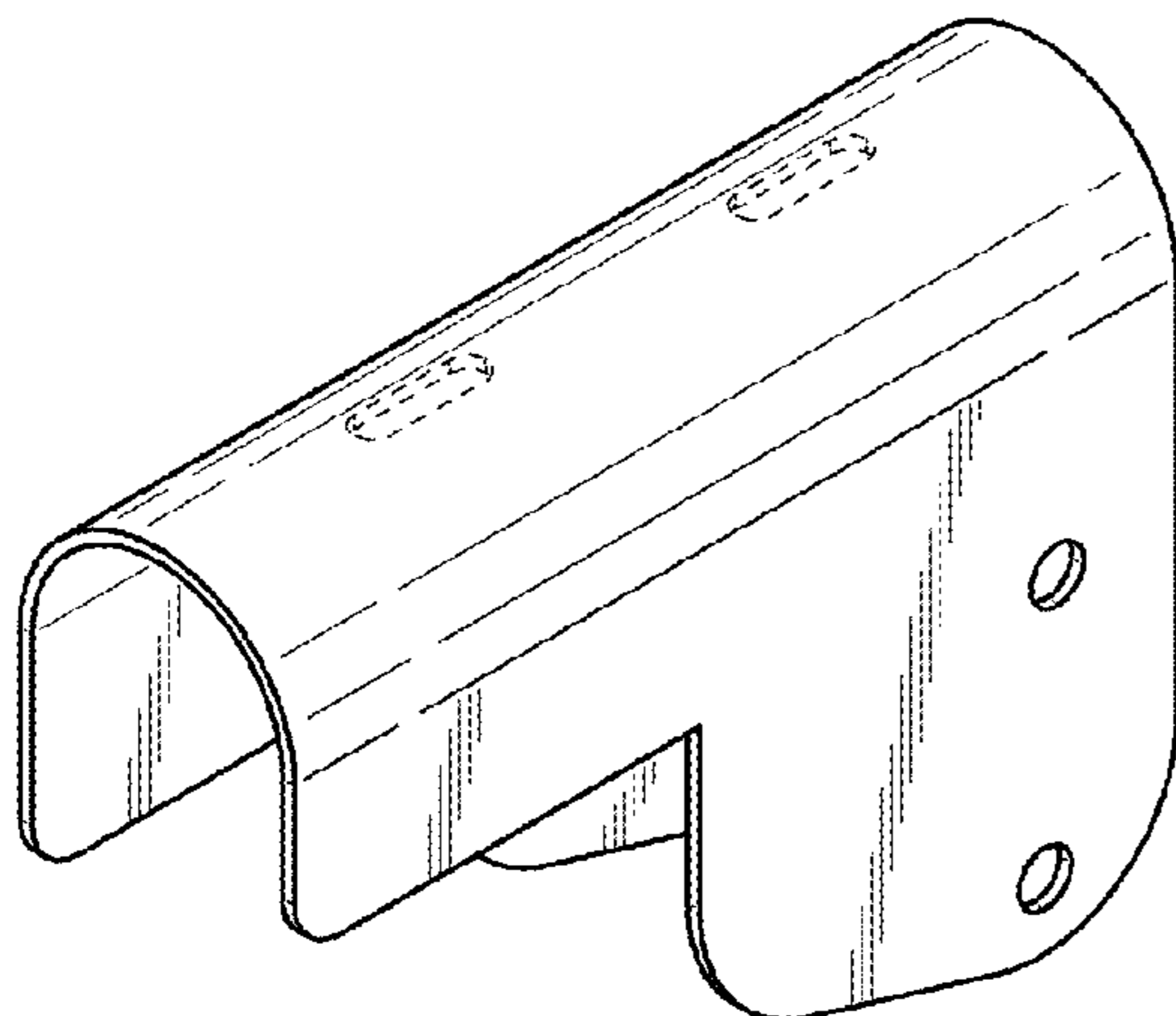
The ornamental design for an invertible cheek piece mount, as shown and described.

DESCRIPTION

FIG. 1 is a front perspective view of the present invention; FIG. 2 is a rear perspective view thereof; FIG. 3 is a front view thereof; FIG. 4 is a left side view thereof; FIG. 5 is a right side view thereof; FIG. 6 is a top view thereof; FIG. 7 is a bottom view thereof; FIG. 8 is a rear view thereof; FIG. 9 is a front view thereof showing environmental structure in broken lines; and, FIG. 10 is a rear view thereof showing environmental structure in broken lines.

The broken lines in FIGS. 1-8 showing portions of the article are for illustrative purposes only and form no part of the claimed design. The broken lines in FIGS. 9-10 showing environmental structure form no part of the claimed design.

1 Claim, 3 Drawing Sheets



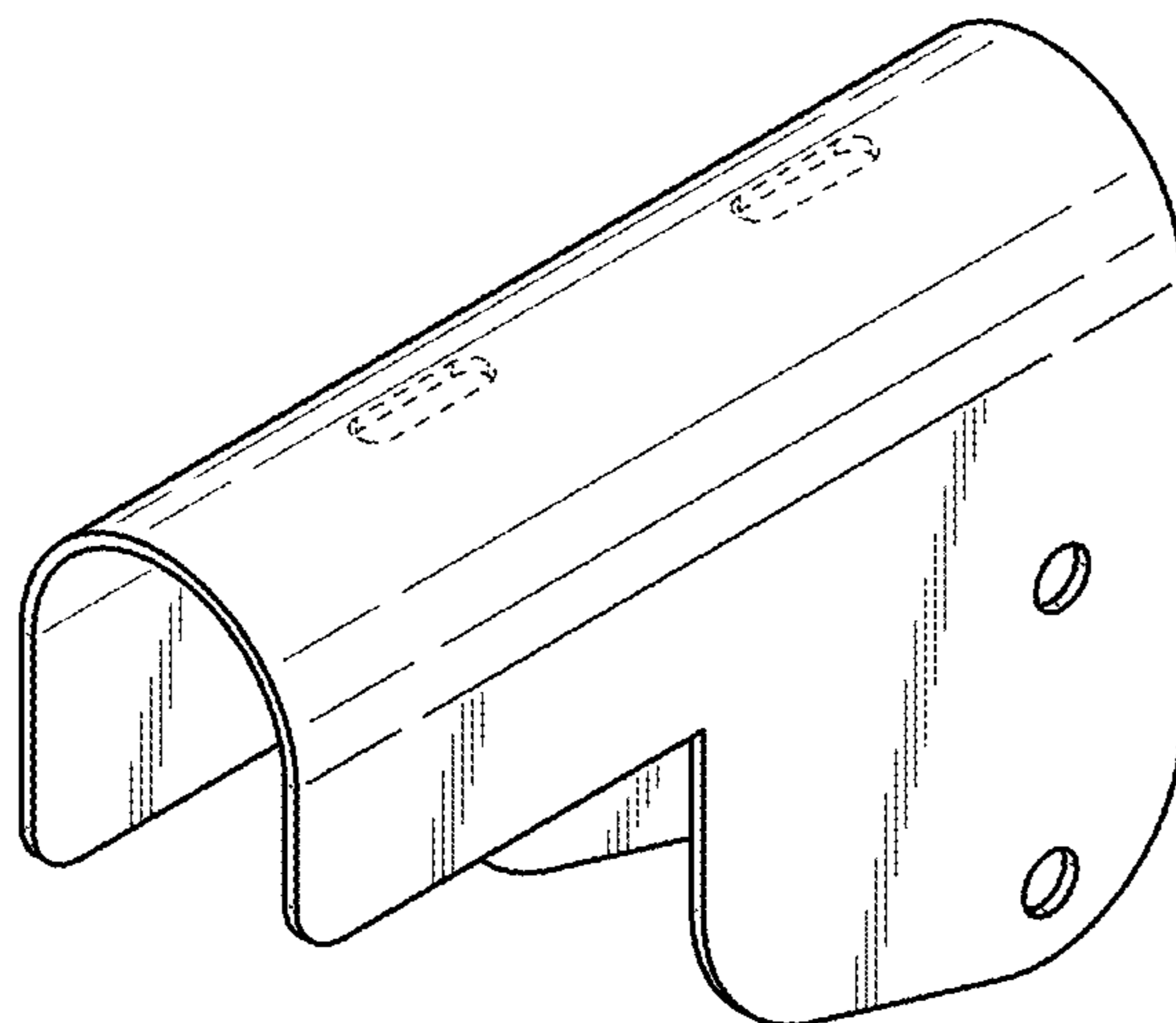


FIG. 1

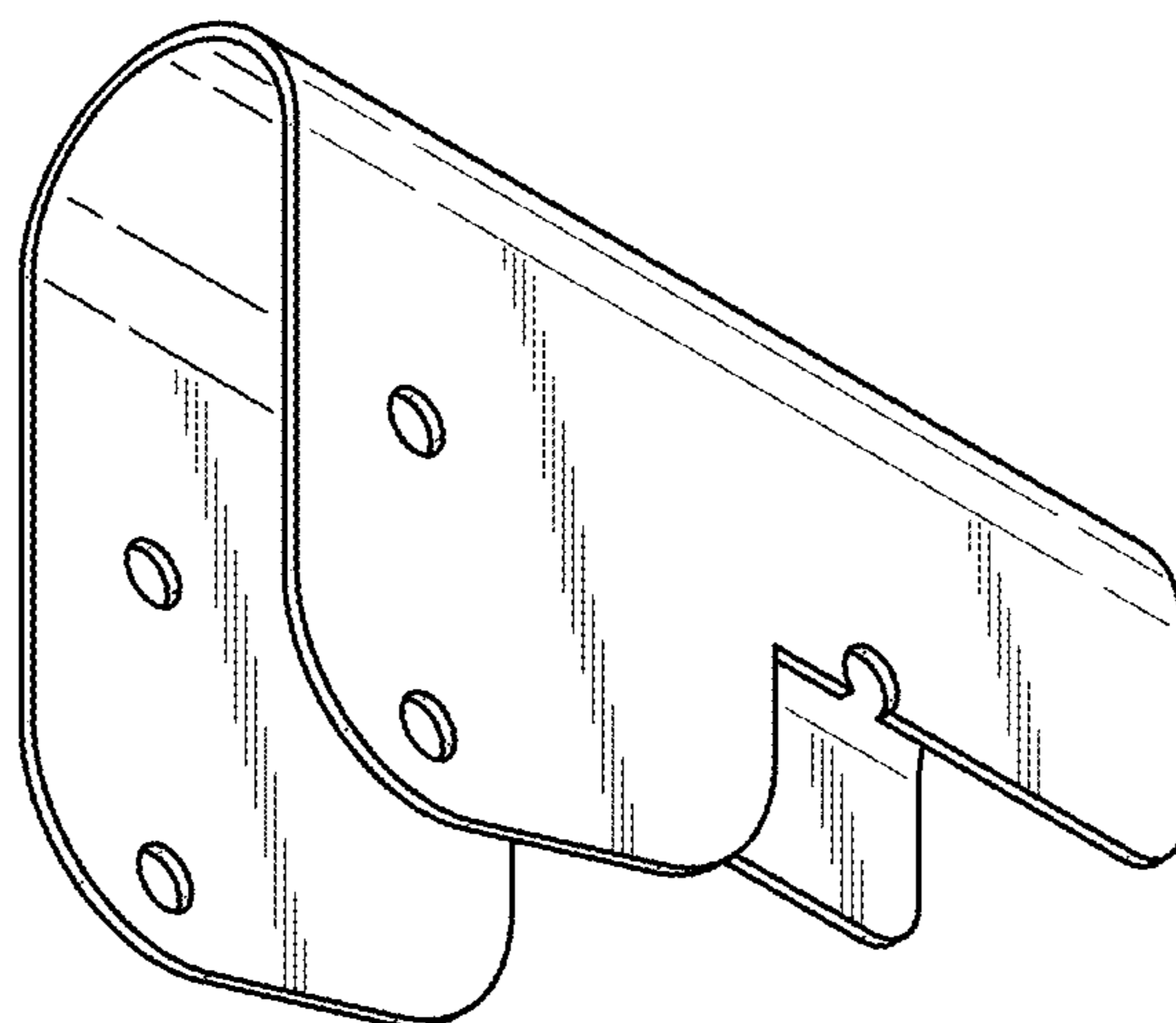


FIG. 2

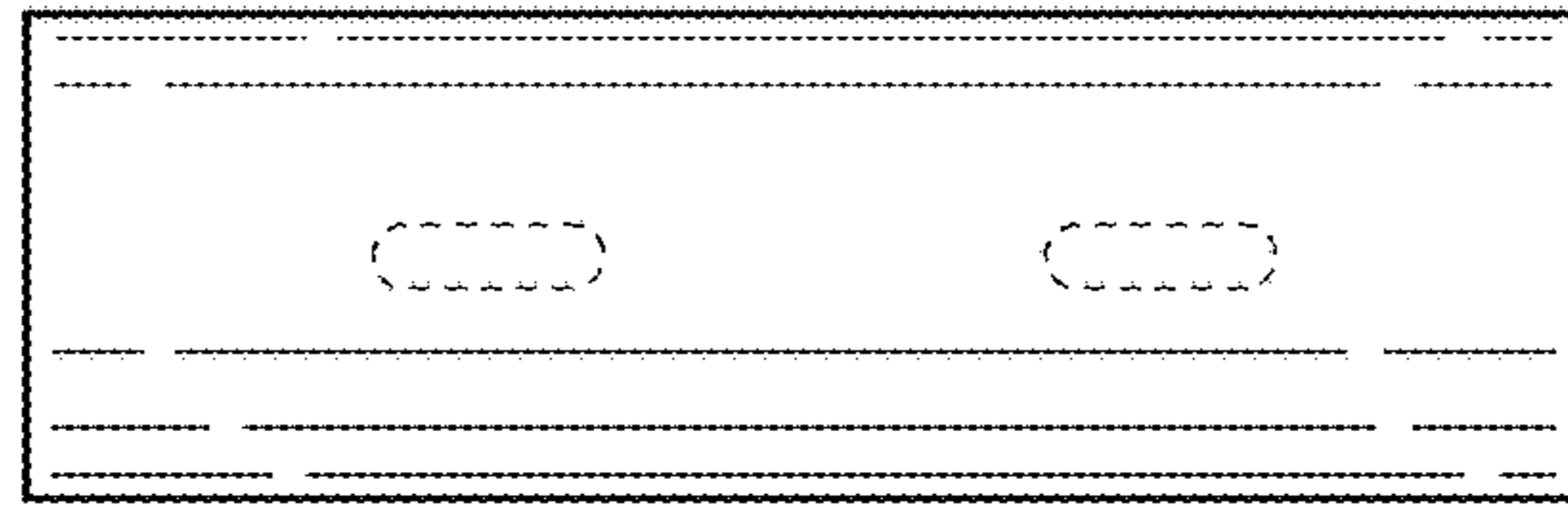


FIG. 6

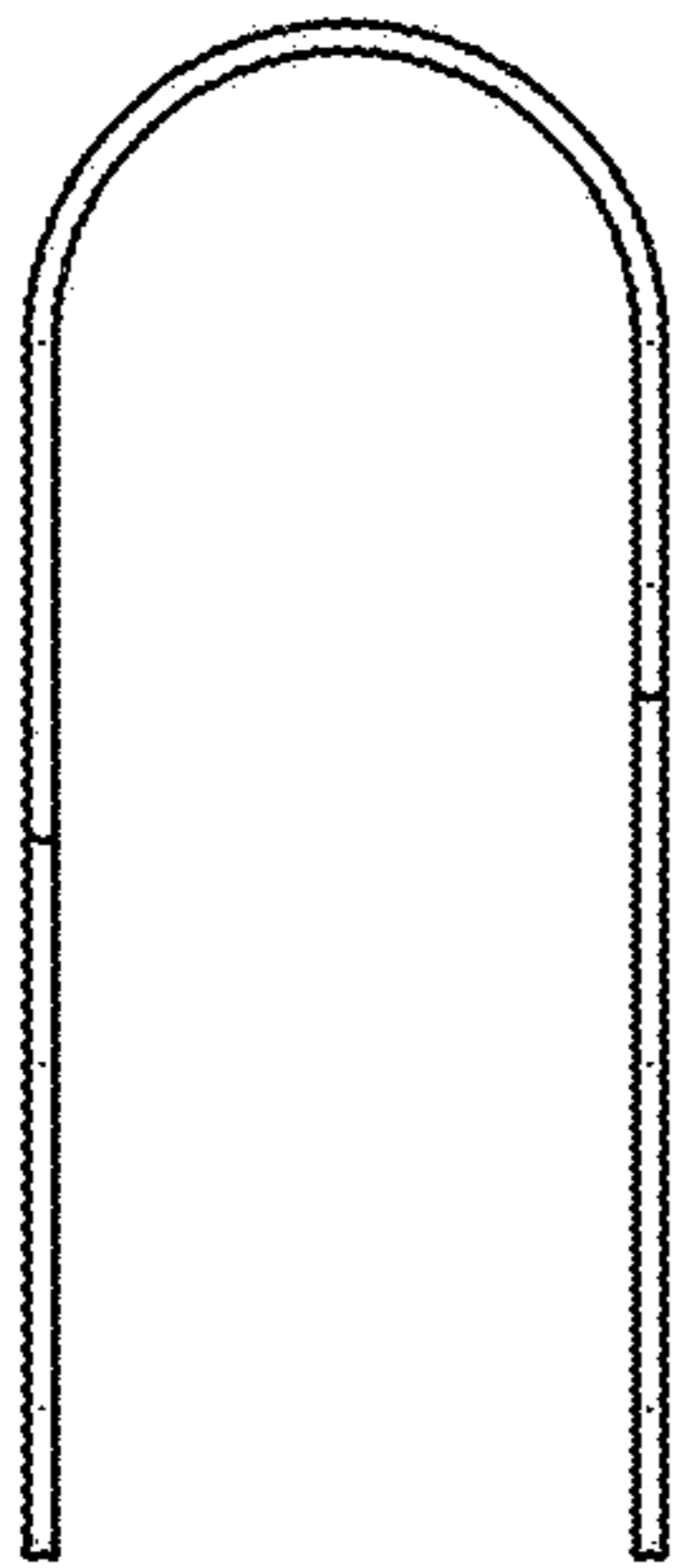


FIG. 4

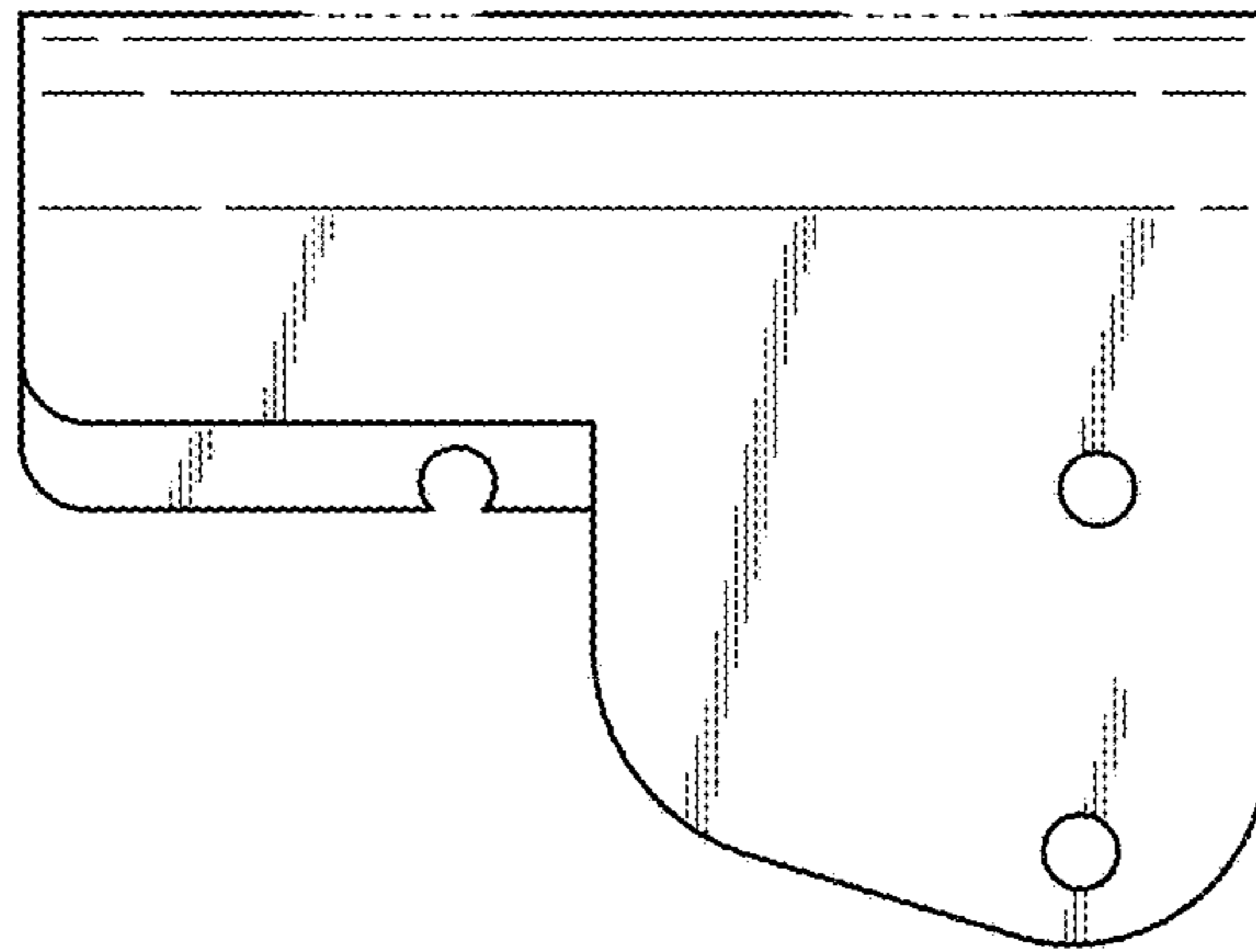


FIG. 3

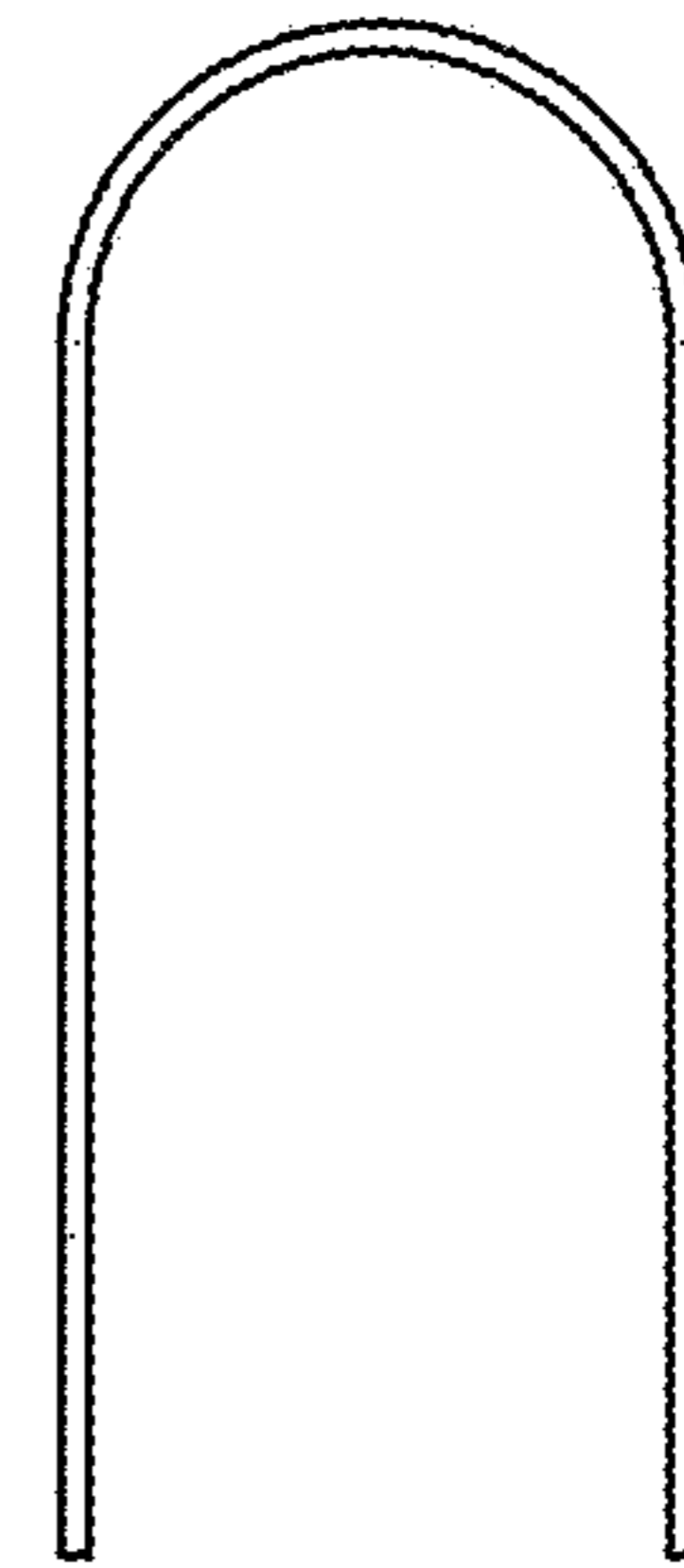


FIG. 5

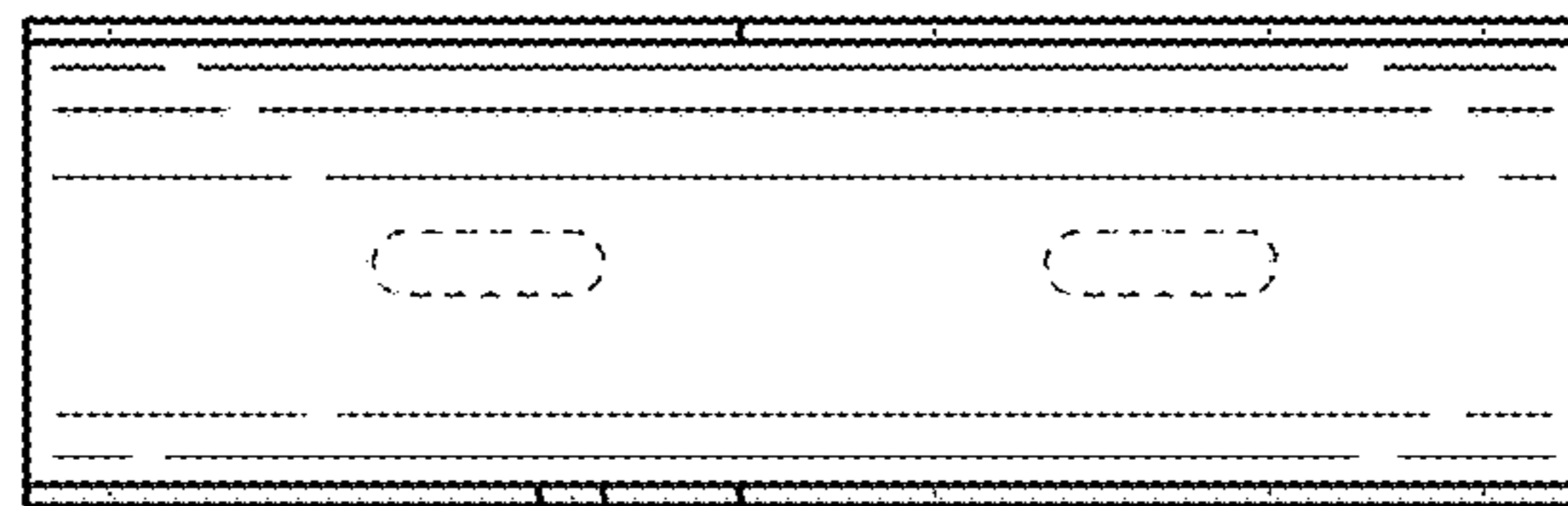


FIG. 7

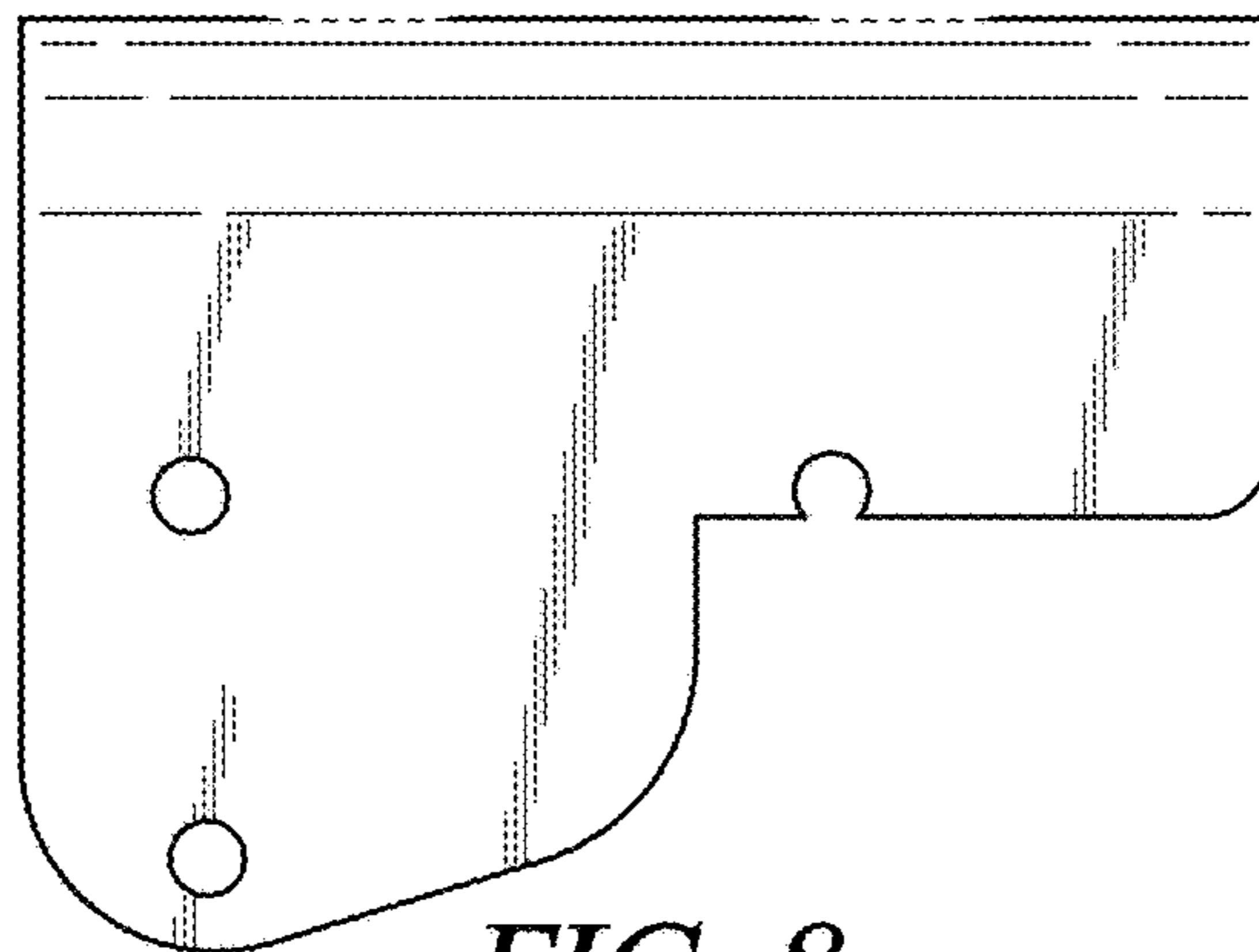


FIG. 8

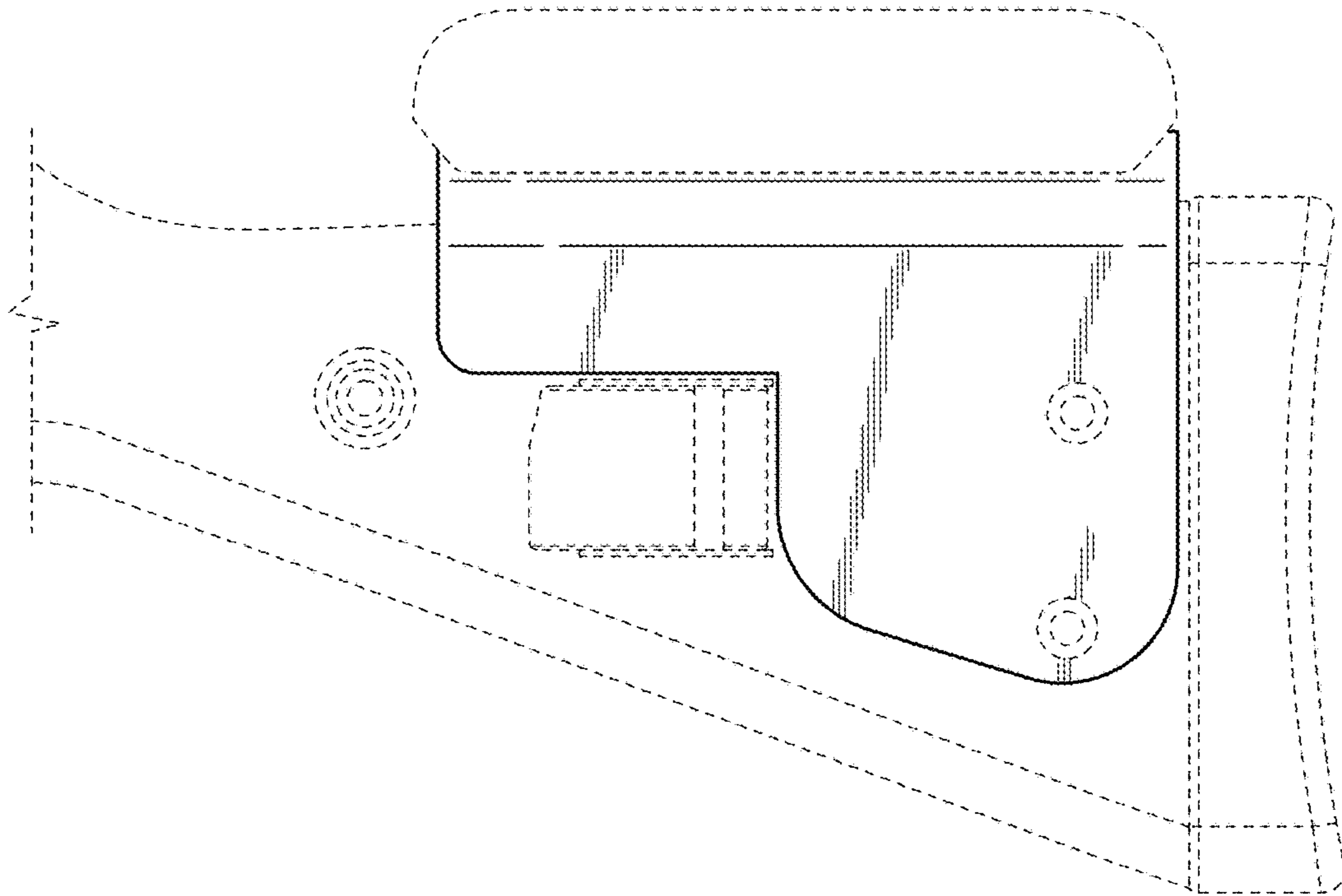


FIG. 9

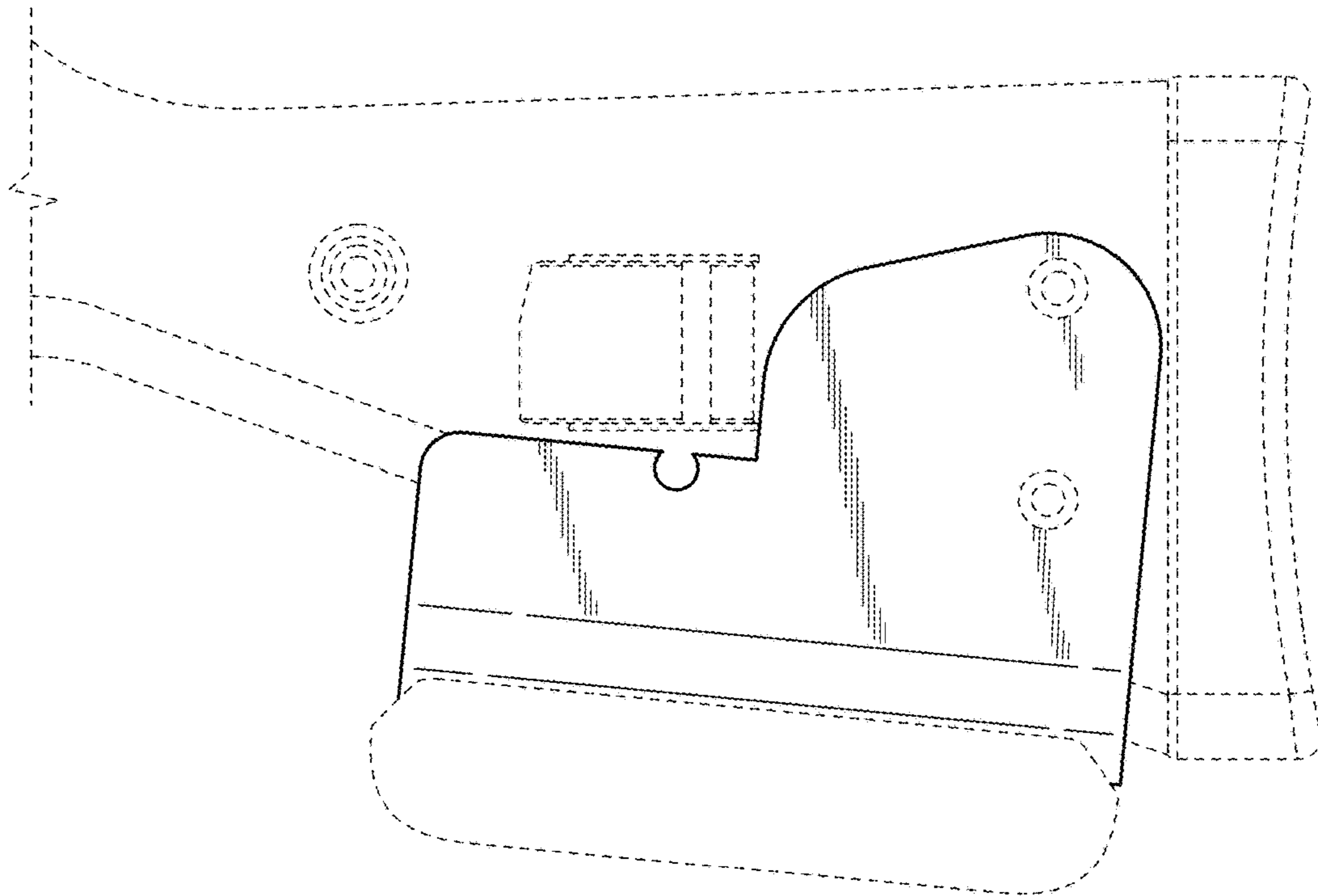


FIG. 10