

US00D844734S

(12) **United States Design Patent**
Cheng et al.

(10) **Patent No.:** **US D844,734 S**

(45) **Date of Patent:** **** Apr. 2, 2019**

(54) **LIGHT APPARATUS FOR FIREARM**

(71) Applicants: **Carson Cheng**, City of Industry, CA (US); **Changan Tian**, City of Industry, CA (US); **Richard Thomas**, City of Industry, CA (US)

(72) Inventors: **Carson Cheng**, City of Industry, CA (US); **Changan Tian**, City of Industry, CA (US); **Richard Thomas**, City of Industry, CA (US)

(73) Assignee: **NcSTAR, Inc.**, City of Industry, CA (US)

(**) Term: **15 Years**

(21) Appl. No.: **29/561,531**

(22) Filed: **Apr. 17, 2016**

(51) **LOC (11) Cl.** **22-01**

(52) **U.S. Cl.**
USPC **D22/108**

(58) **Field of Classification Search**
USPC D22/109, 108, 199; D26/37, 46, 47, 48, D26/49
CPC . F41G 11/003; F41G 1/00; F41G 1/16; F41G 1/345
See application file for complete search history.

(56) **References Cited**

U.S. PATENT DOCUMENTS

D427,275 S *	6/2000	Gilmore	D16/130
D578,599 S *	10/2008	Cheng	D16/130
D628,323 S *	11/2010	Matthews	D22/108
D628,324 S *	11/2010	Matthews	D22/108
D642,653 S *	8/2011	Riley	D22/109
D674,858 S *	1/2013	Galli	D22/108
D707,784 S *	6/2014	Cragie	D22/108
D707,869 S *	6/2014	Wu	D26/46
D744,136 S *	11/2015	Osiecki	D26/49
D764,006 S *	8/2016	Horton	D22/109

D795,989 S *	8/2017	Horton	D22/109
D802,192 S *	11/2017	Windom	D26/49
9,810,411 B2 *	11/2017	Galli	F21V 23/0414
2015/0159847 A1 *	6/2015	Galli	F21V 23/0414 362/111
2017/0030681 A1 *	2/2017	Liang	F41G 3/065

* cited by examiner

Primary Examiner — Karen S Acker

Assistant Examiner — Steven B Reinholdt, Jr.

(74) *Attorney, Agent, or Firm* — Raymond Y. Chan; David and Raymond Patent Firm

(57) **CLAIM**

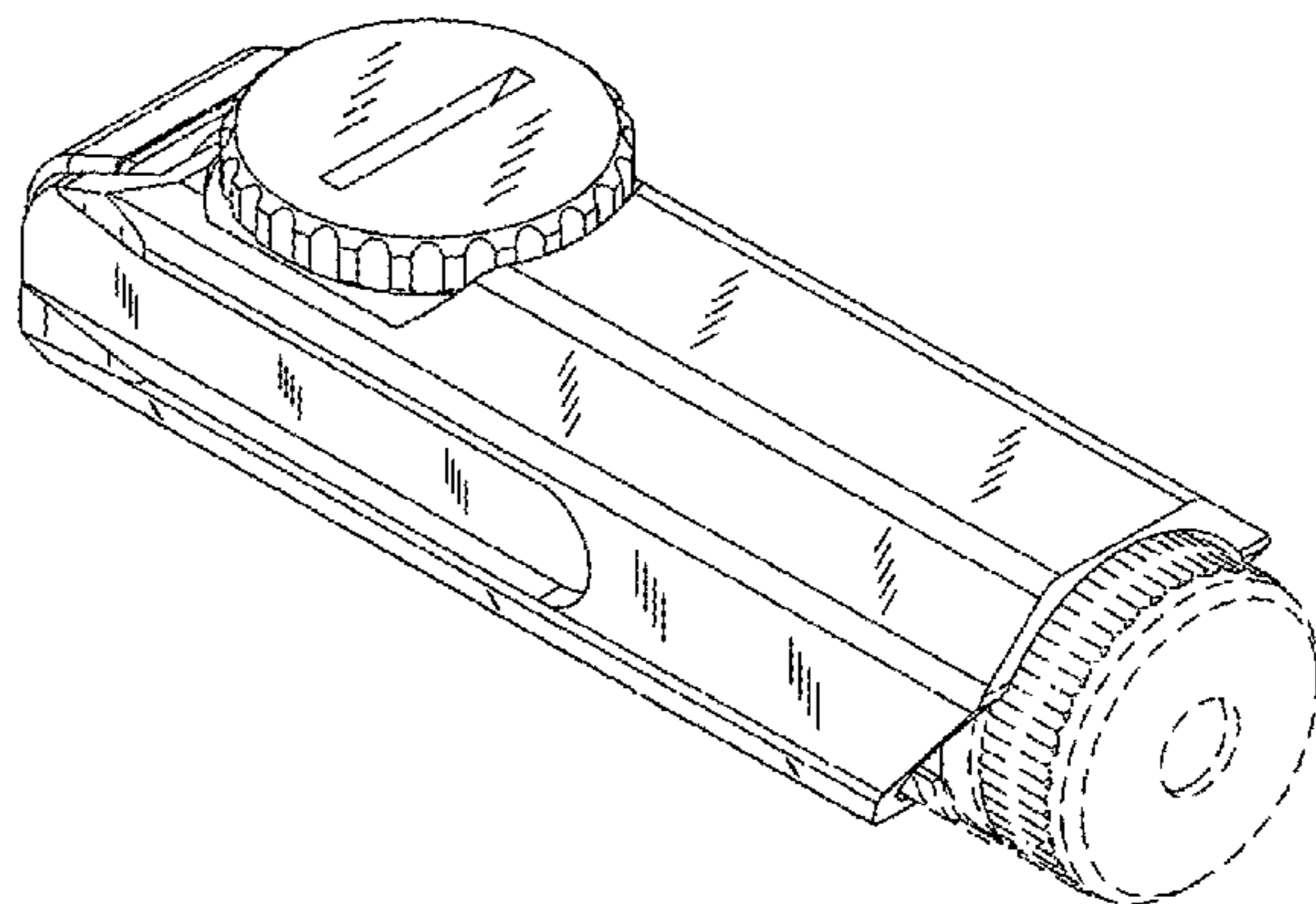
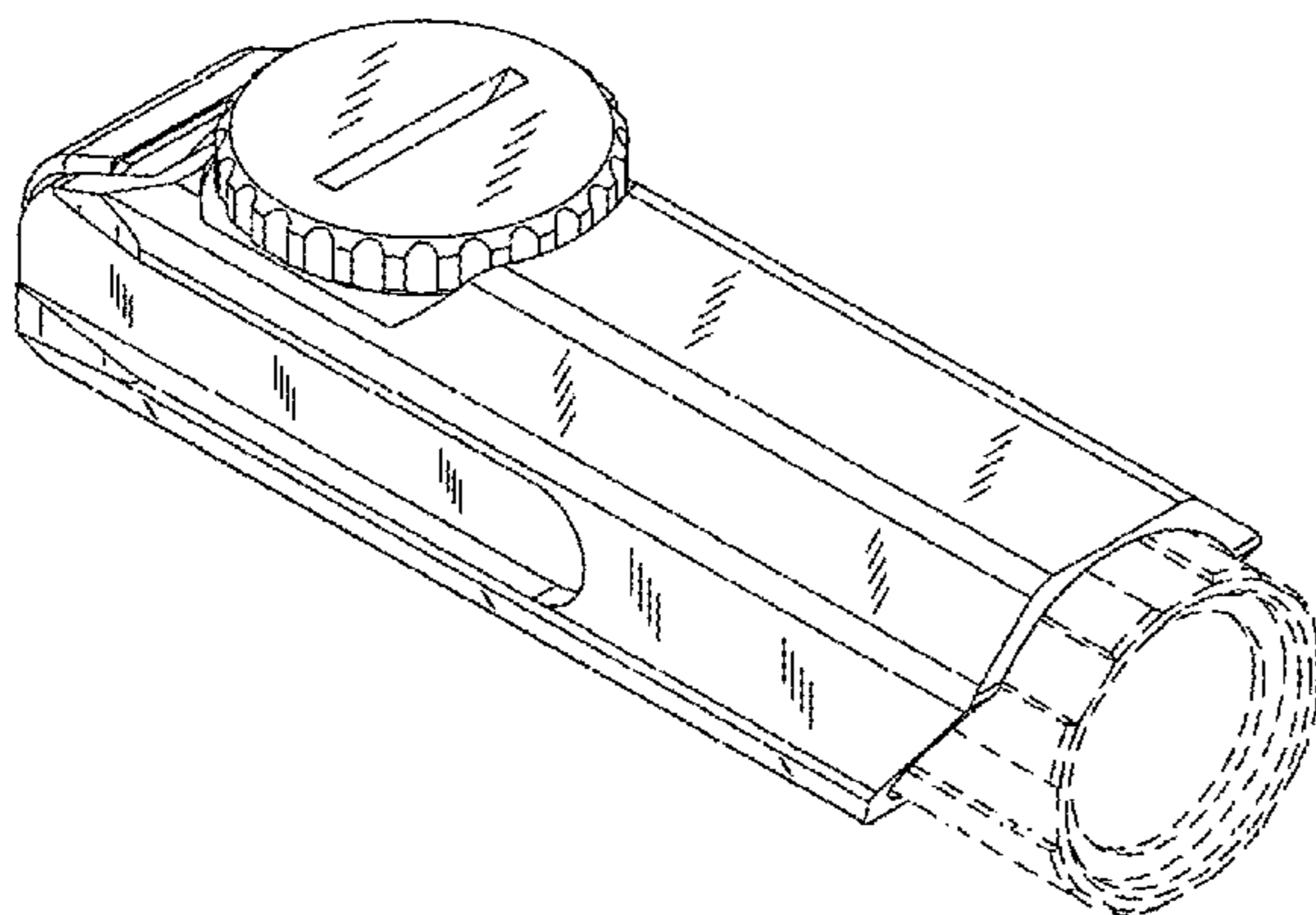
The ornamental design for a light apparatus for firearm, as shown and described.

DESCRIPTION

FIG. 1 is a perspective view of a light apparatus for firearm showing our new design in a state of use as a flashlight; FIG. 2 is a front view thereof; FIG. 3 is a rear view thereof; FIG. 4 is a left view thereof; FIG. 5 is a right view thereof; FIG. 6 is a top view thereof; FIG. 7 is a bottom view thereof; FIG. 8 is a perspective view of the light apparatus for firearm in a state of use as a laser; FIG. 9 is a front view thereof; FIG. 10 is a rear view thereof; FIG. 11 is a left view thereof; FIG. 12 is a right view thereof; FIG. 13 is a top view thereof; and, FIG. 14 is a bottom view thereof.

The broken lines illustrating flashlight and laser components in the drawings depict environmental subject matter that forms no part of the claimed design. All other broken lines depict portions of the light apparatus for firearm that form no part of the claim.

1 Claim, 14 Drawing Sheets



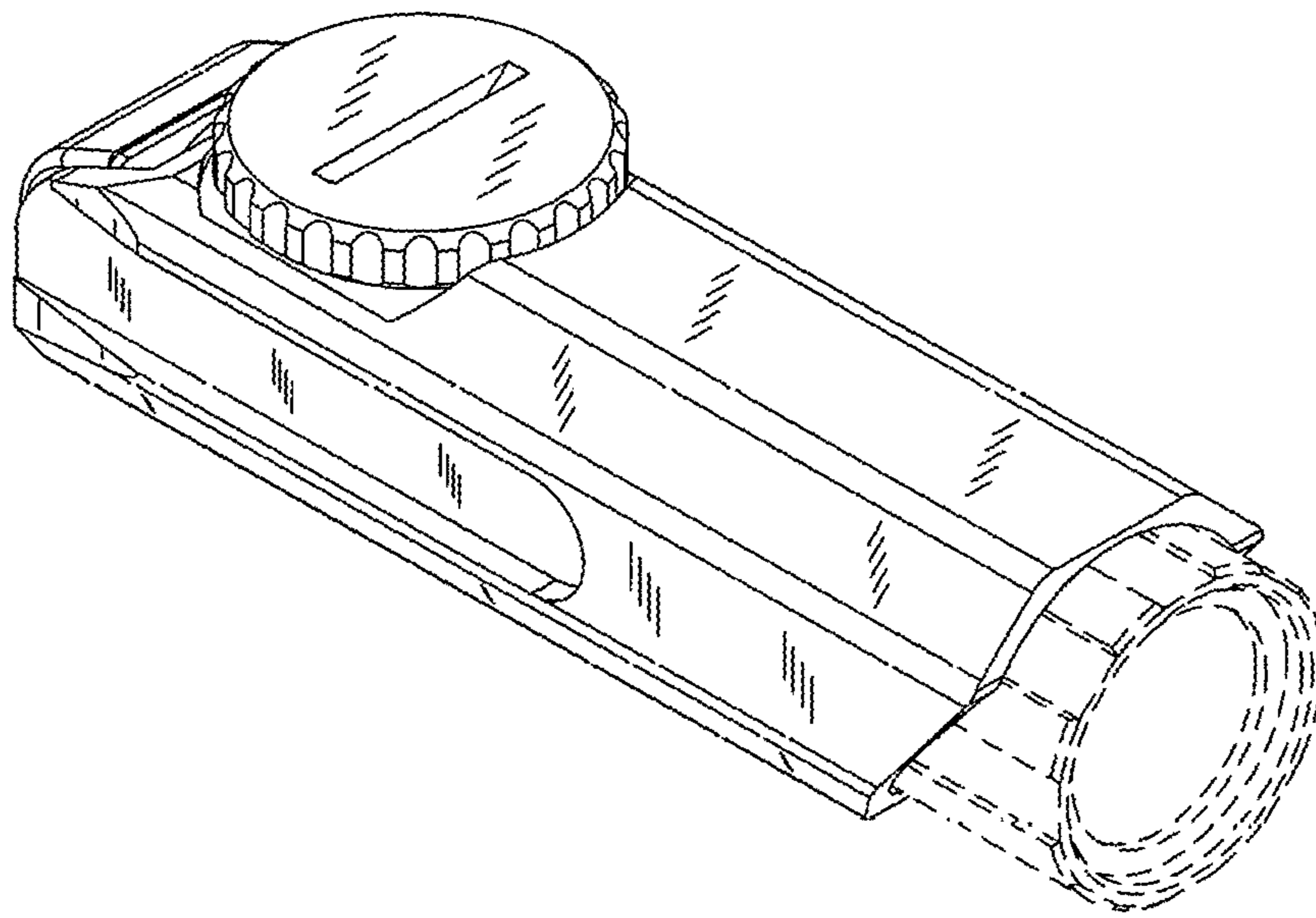


FIG.1

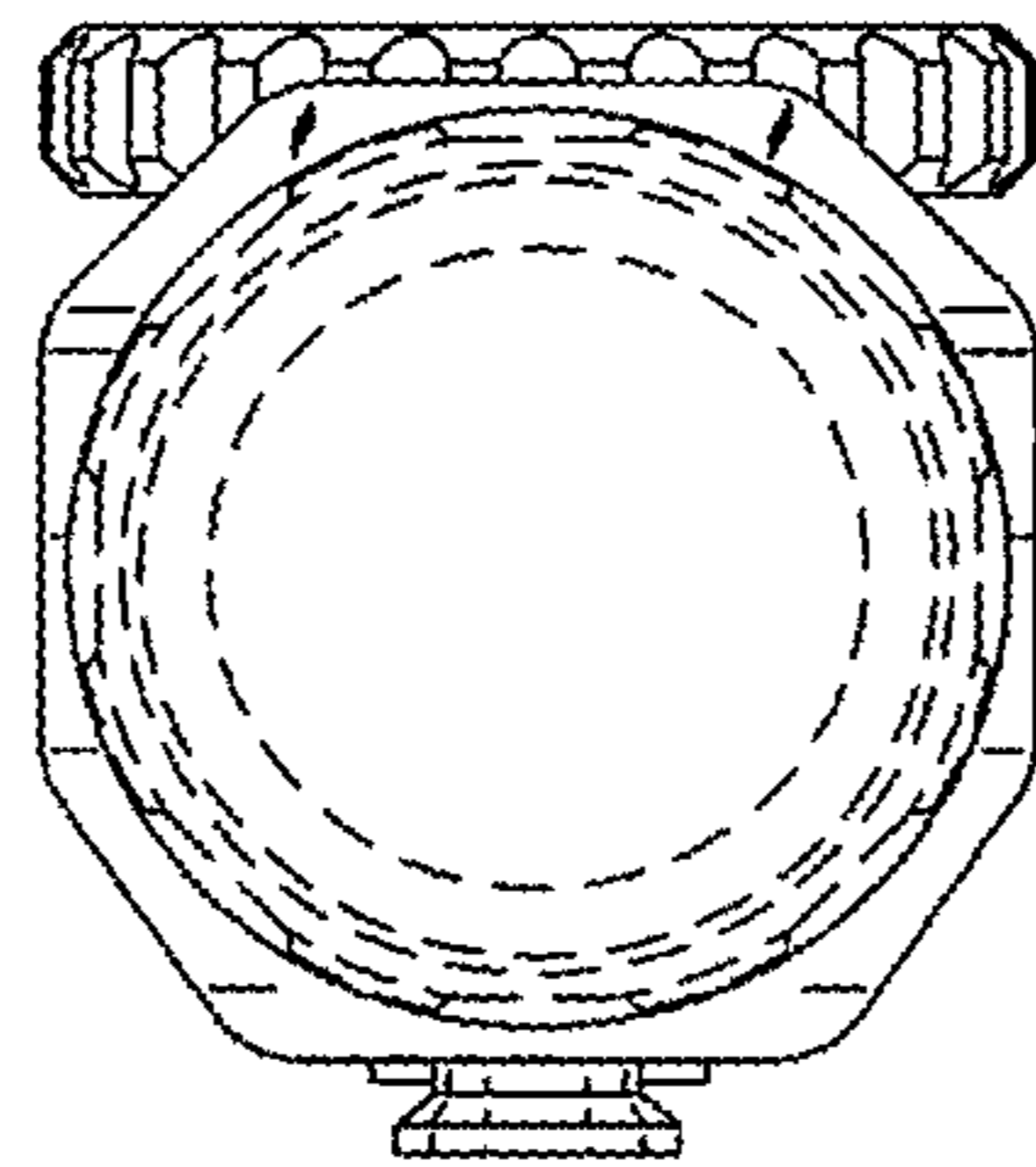


FIG.2

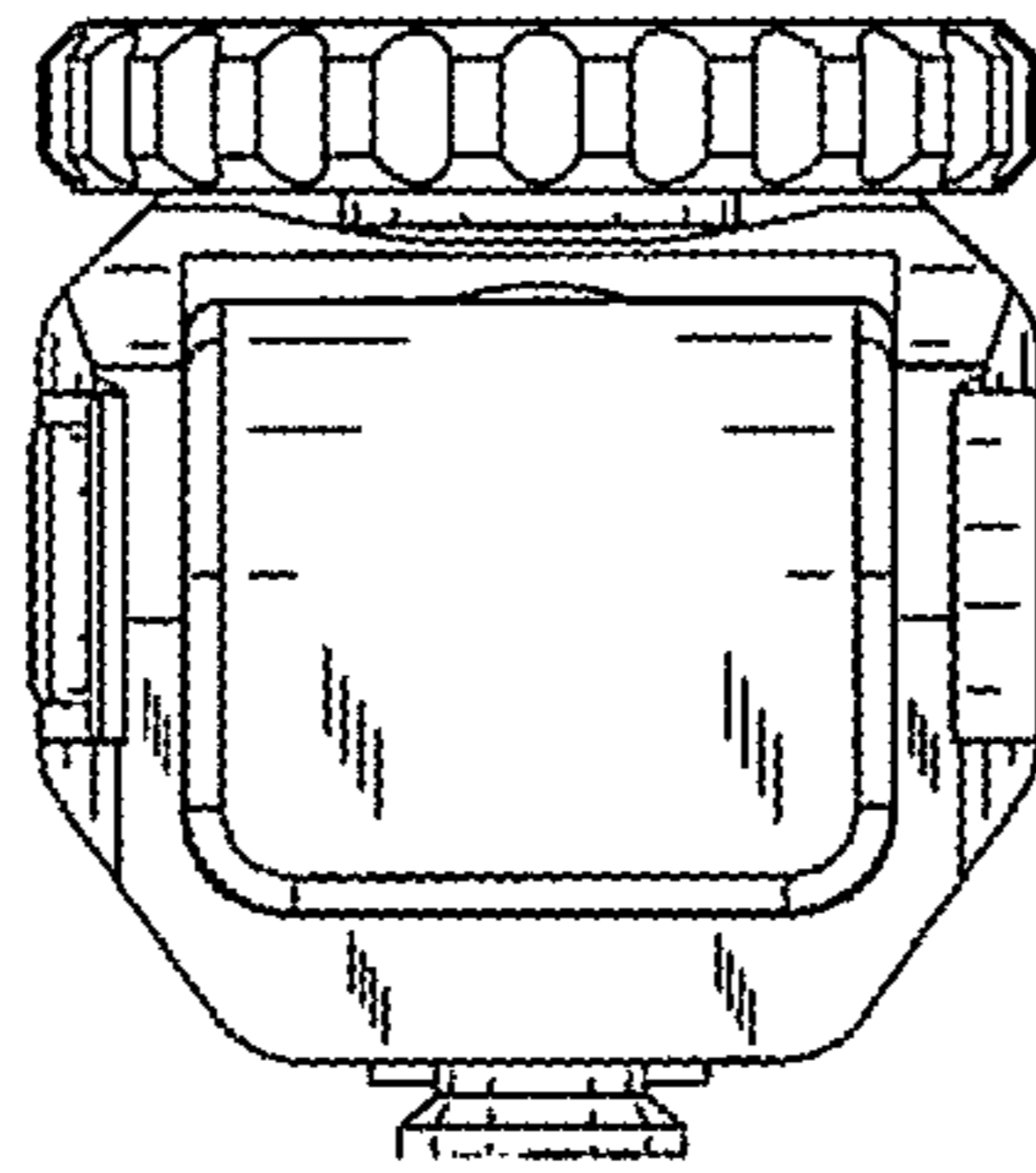


FIG.3

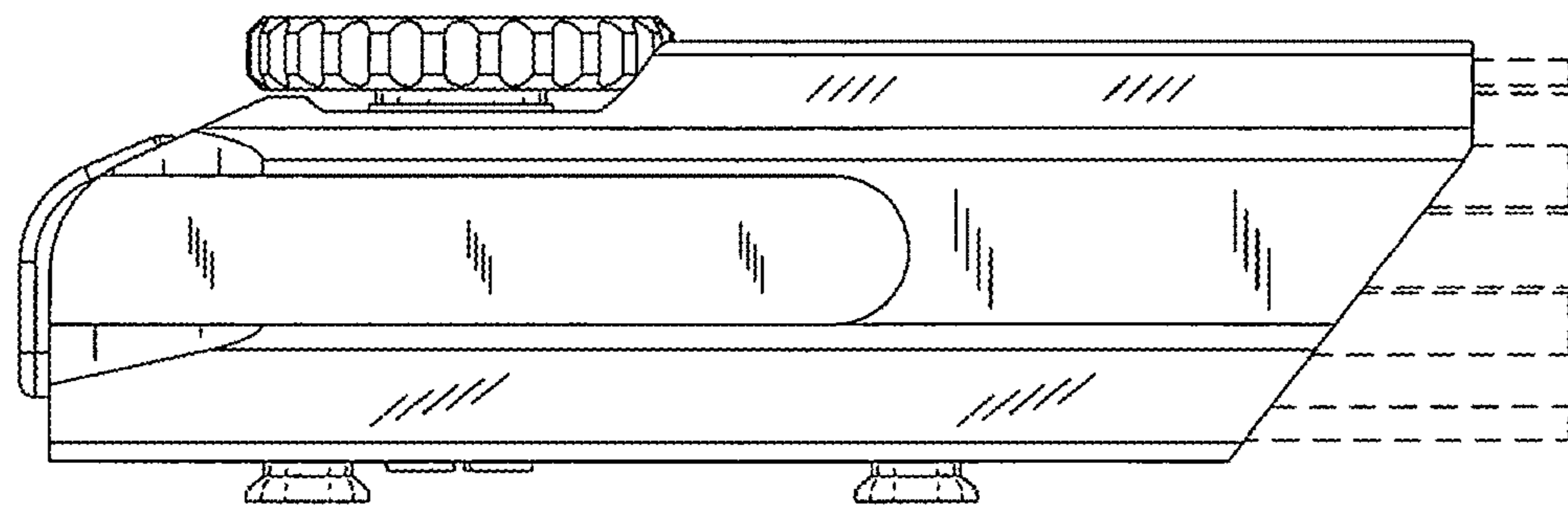


FIG.4

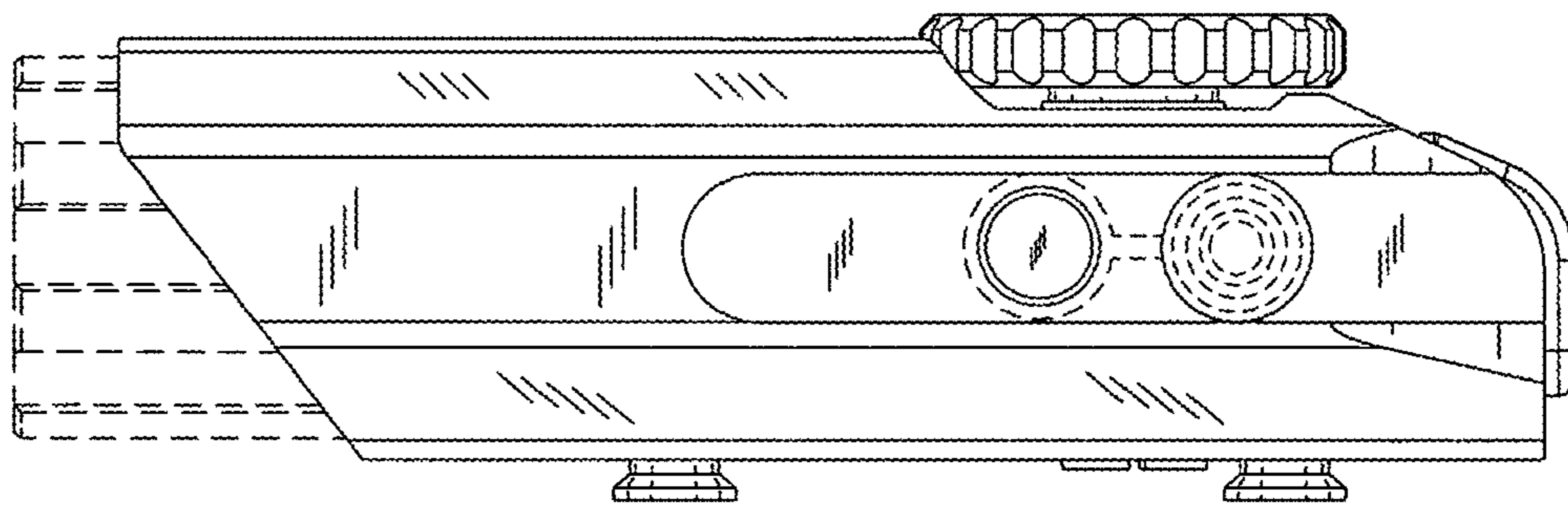


FIG.5

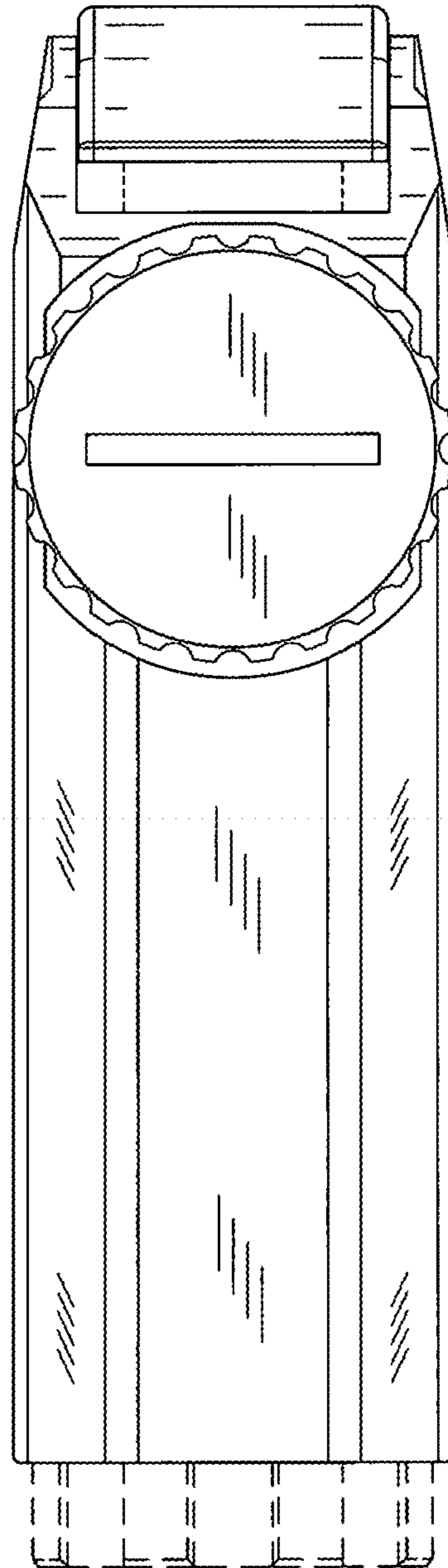


FIG.6

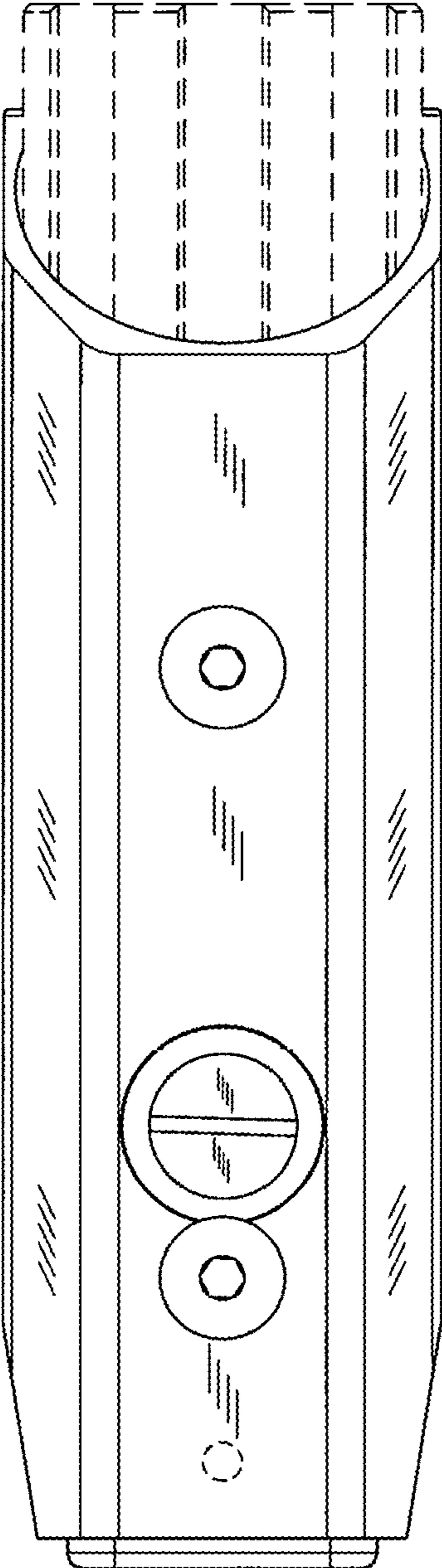


FIG.7

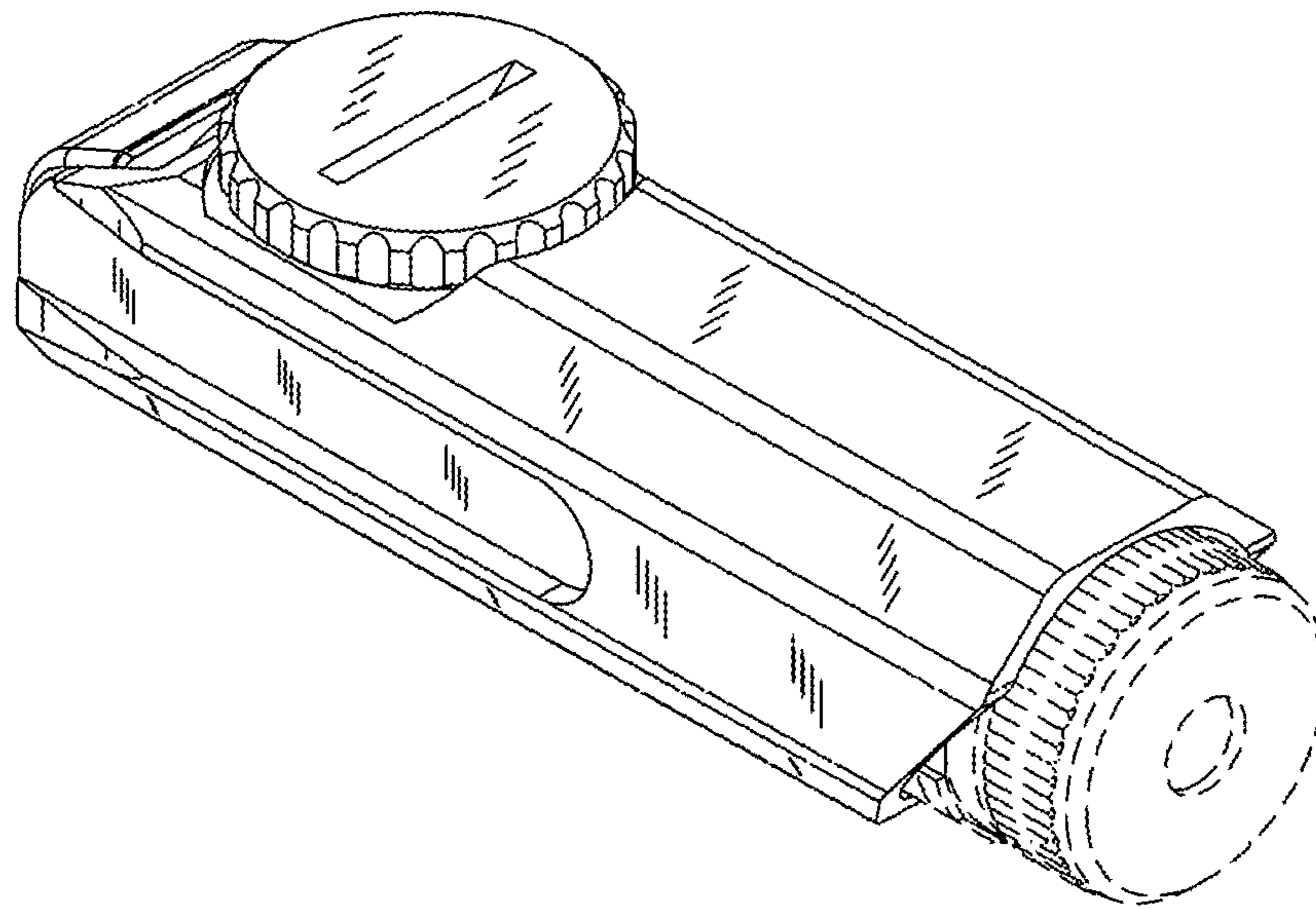


FIG.8

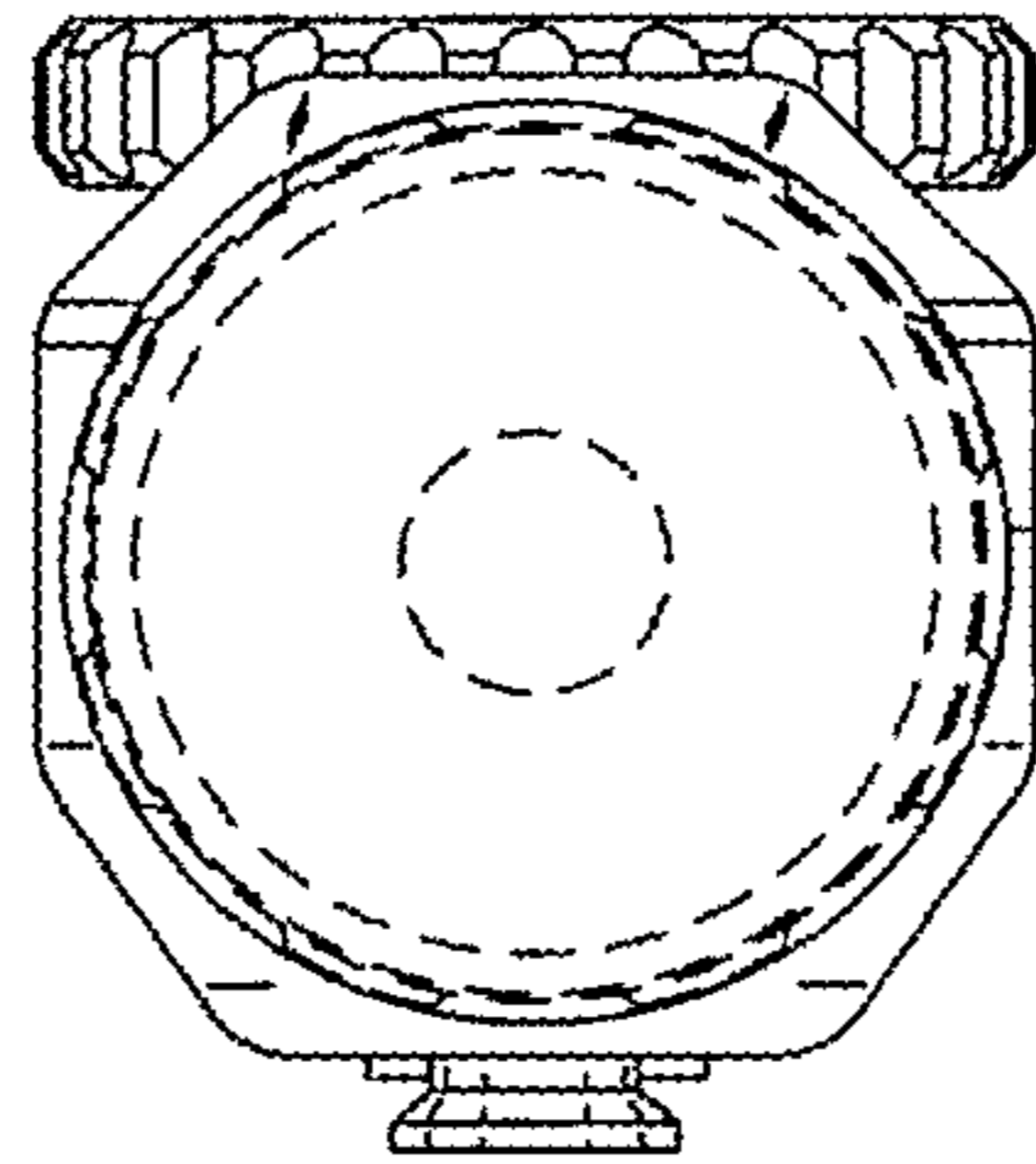


FIG. 9

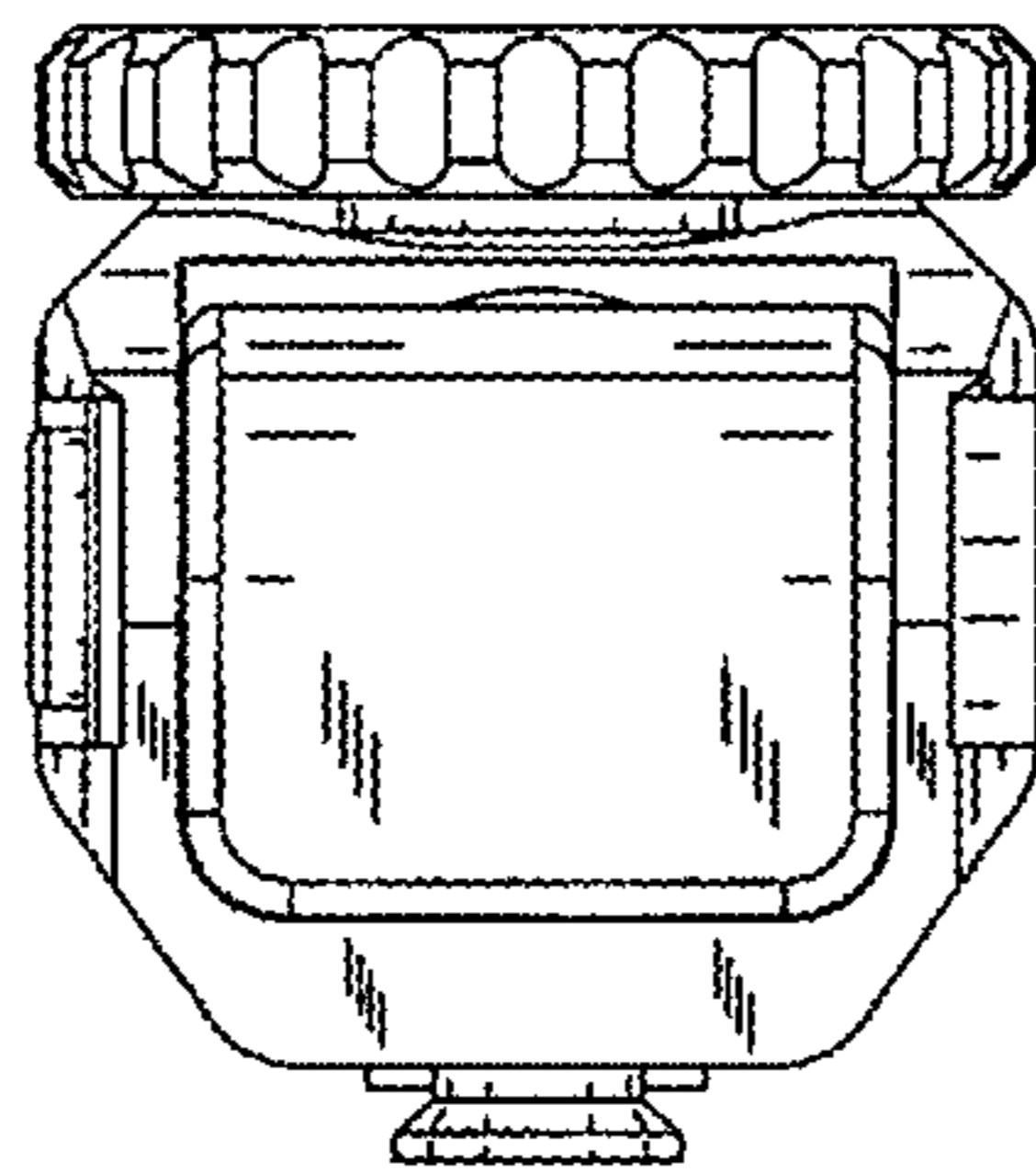


FIG.10

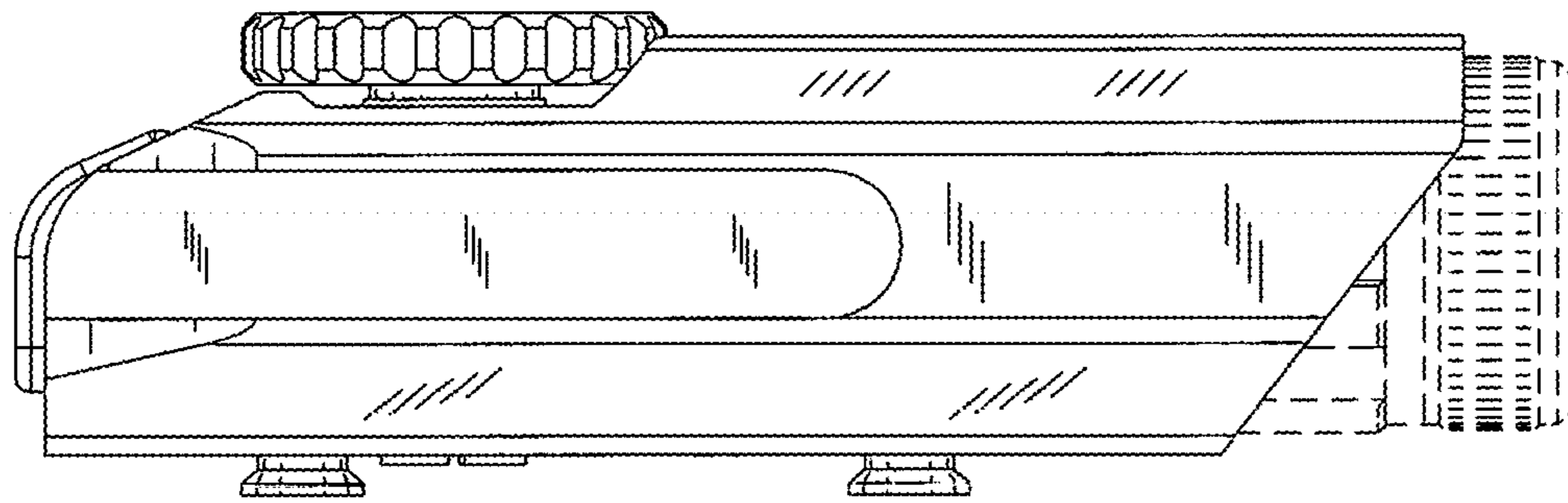


FIG.11

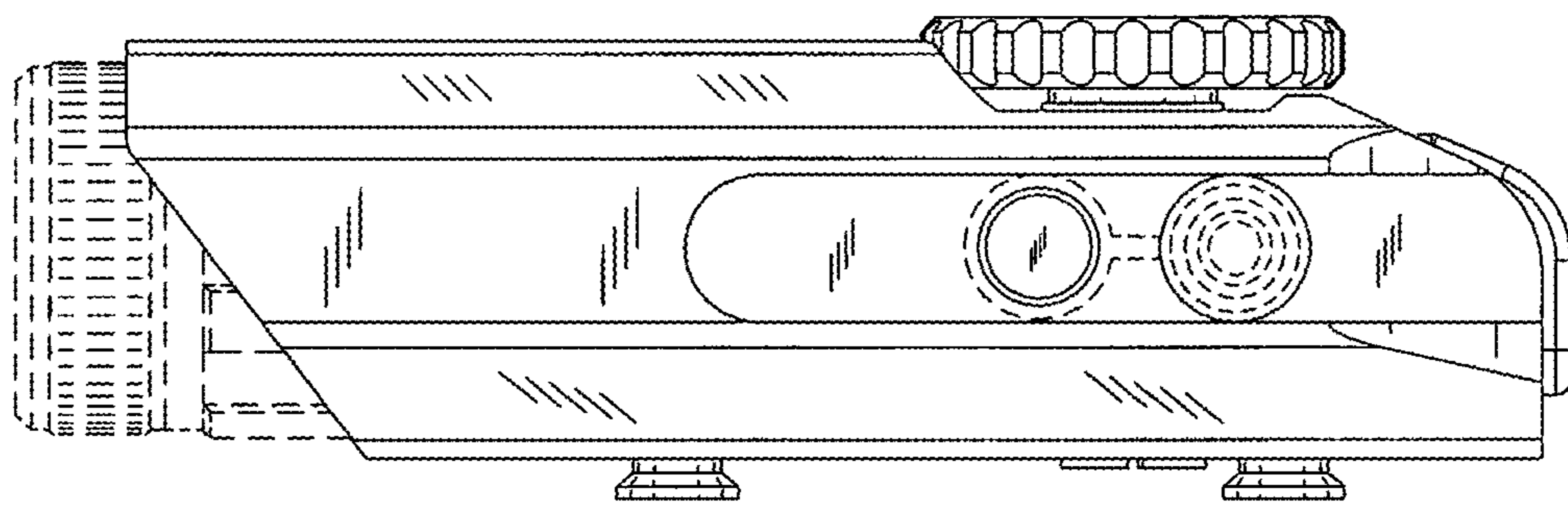


FIG.12

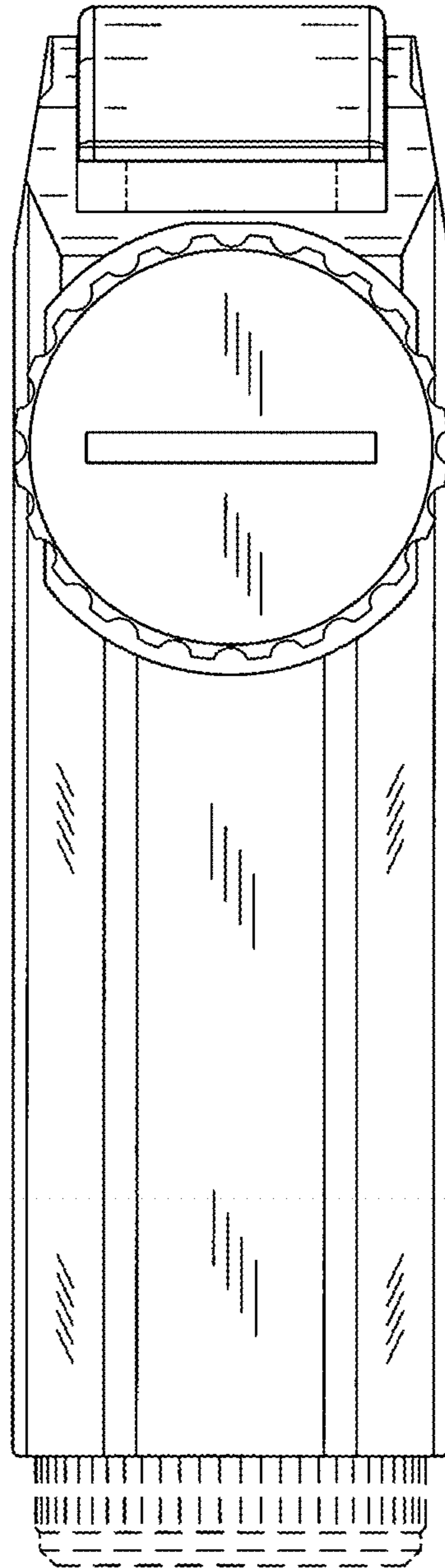


FIG.13

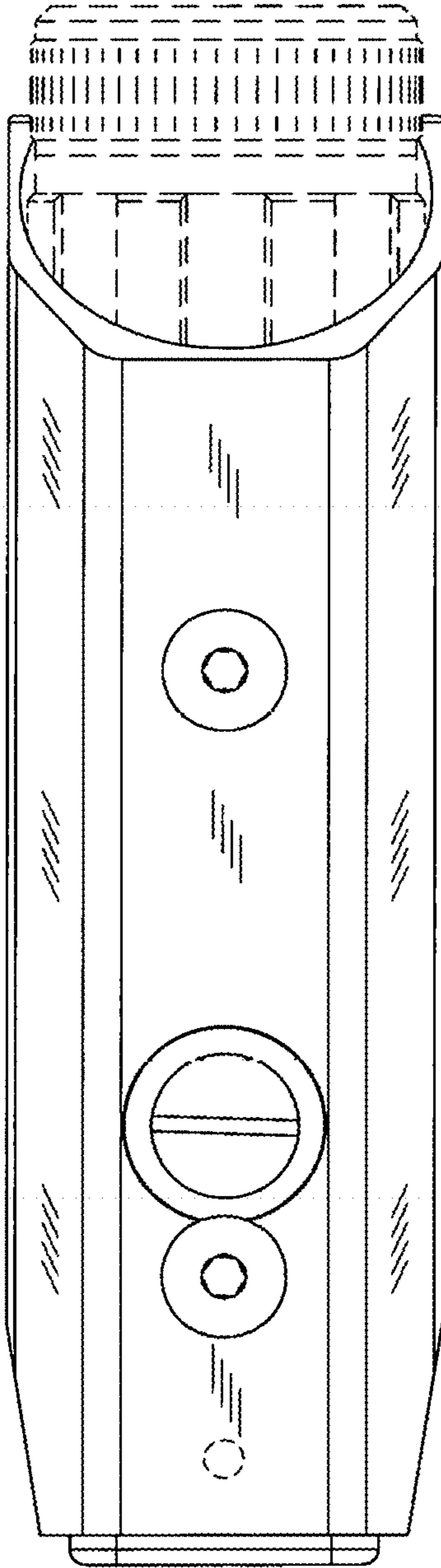


FIG.14