



US00D844733S

(12) **United States Design Patent** (10) **Patent No.:** **US D844,733 S**
Mather et al. (45) **Date of Patent:** **** Apr. 2, 2019**

(54) **PORTION OF A RIFLE**

(56) **References Cited**

(71) Applicant: **Sturm, Ruger & Company, Inc.**,
Southport, CT (US)
(72) Inventors: **Jonathan Philip Mather**, Grafton, NH
(US); **Shane Bernier**, Goshen, NH
(US); **John D. Lear**, Dunbarton, NH
(US); **Benjamin Keyes Parker**,
Manchester, NH (US); **Frank J.**
Saunders, Weare, NH (US); **Adam Jay**
Taylor, Unity, NH (US)
(73) Assignee: **STURM, RUGER & COMPANY,**
INC.
(**) Term: **15 Years**
(21) Appl. No.: **29/596,579**
(22) Filed: **Mar. 9, 2017**

U.S. PATENT DOCUMENTS

D567,895 S * 4/2008 Cauley D22/103
D584,373 S * 1/2009 Young F41C 23/20
D22/103
D629,062 S * 12/2010 Peterson D22/103
D641,825 S * 7/2011 Gridelet D22/103
8,307,575 B1 * 11/2012 Battaglia F41A 3/64
42/75.03
D692,084 S * 10/2013 Eberle D22/103
8,819,982 B2 * 9/2014 Battaglia F41A 3/64
42/75.03
D748,754 S * 2/2016 Chastain D22/108
D755,323 S * 5/2016 Eitan D22/103
D755,331 S * 5/2016 Eitan D22/108
9,410,764 B2 * 8/2016 Jarboe F41C 23/04

* cited by examiner

Primary Examiner — Michael A. Pratt

(74) *Attorney, Agent, or Firm* — The Belles Group, P.C.

(57) **CLAIM**

The ornamental design for a portion of a rifle, as shown and described.

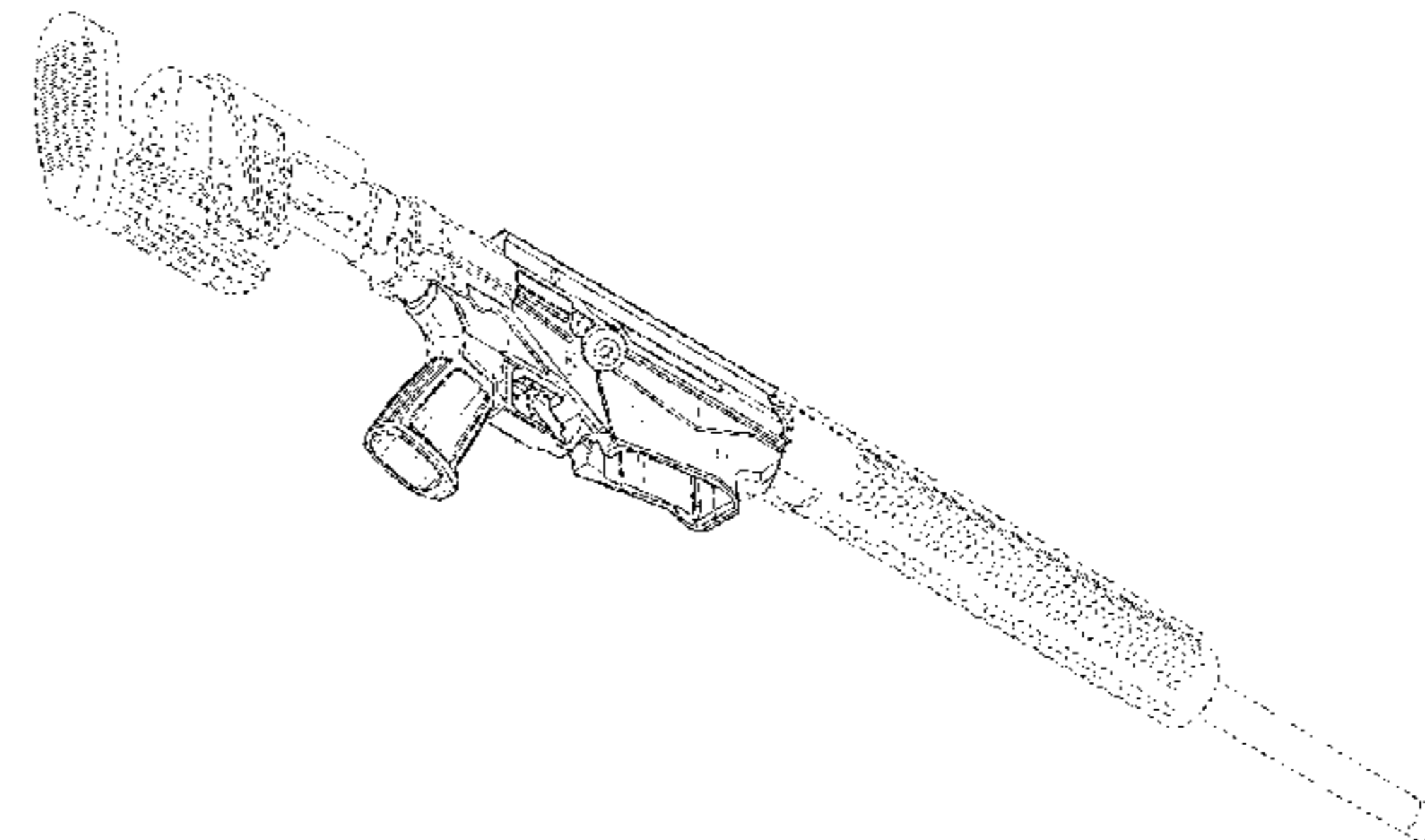
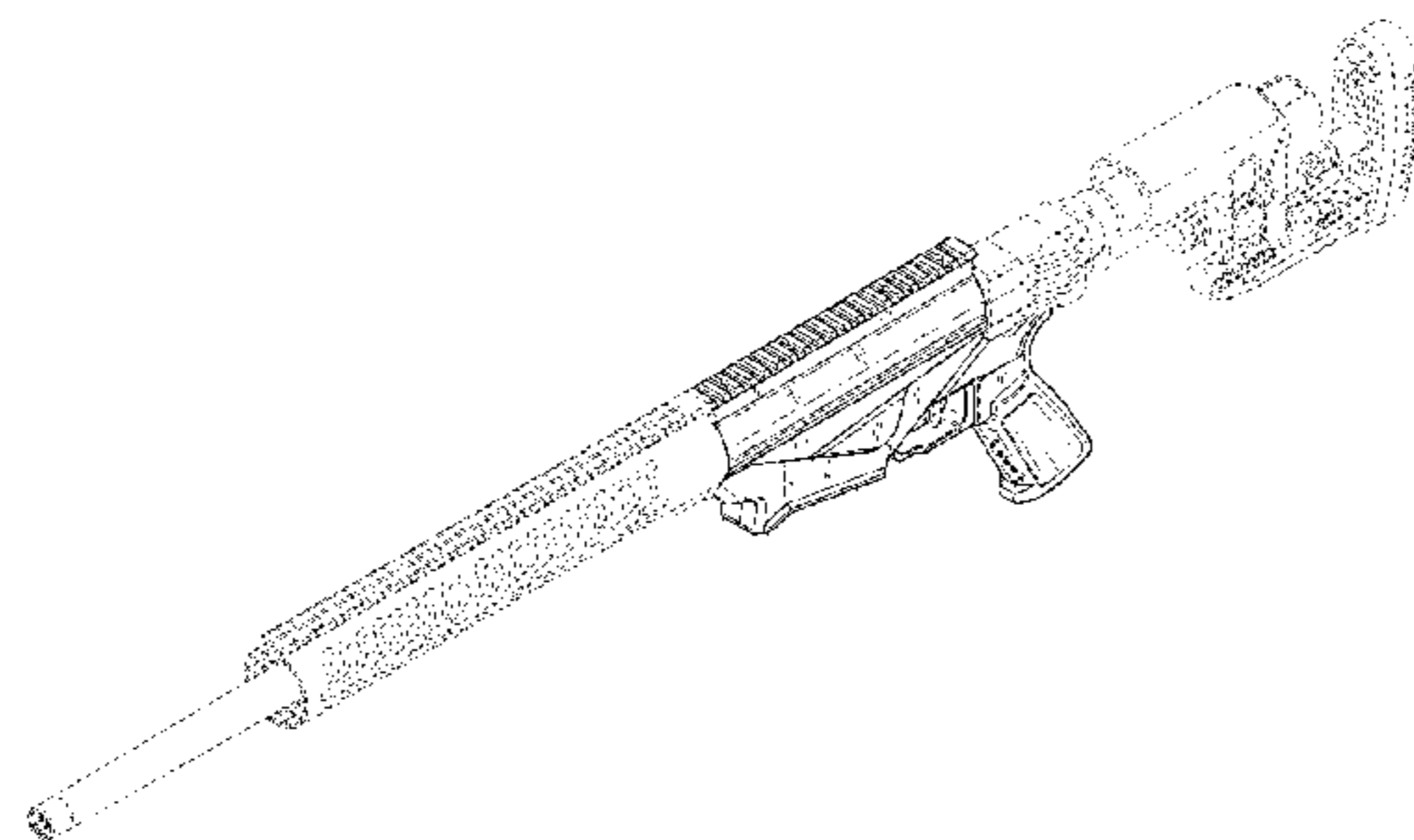
Related U.S. Application Data

(63) Continuation of application No. 29/541,048, filed on
Sep. 30, 2015, now Pat. No. Des. 785,122.
(51) **LOC (11) Cl.** **22-01**
(52) **U.S. Cl.**
USPC **D22/104**
(58) **Field of Classification Search**
USPC D22/103, 108; D14/418; D21/572–575
CPC F41C 23/00; F41C 27/00; F41C 27/06;
F41C 23/10; F41C 23/14; F41C 23/16;
F41C 23/18; F41A 5/18; F41A 5/24;
F41A 21/28
See application file for complete search history.

DESCRIPTION

FIG. 1 is a front top perspective view of a portion of a rifle according to the new design;
FIG. 2 is rear bottom perspective view thereof;
FIG. 3 is a left elevation view thereof;
FIG. 4 is a right elevation view thereof;
FIG. 5 is a top plan view thereof;
FIG. 6 is a bottom plan view thereof;
FIG. 7 is a front elevation view thereof; and,
FIG. 8 is rear elevation view thereof.
All broken lines shown in the drawings are for illustrative purposes only and form no part of the claimed design.

1 Claim, 6 Drawing Sheets



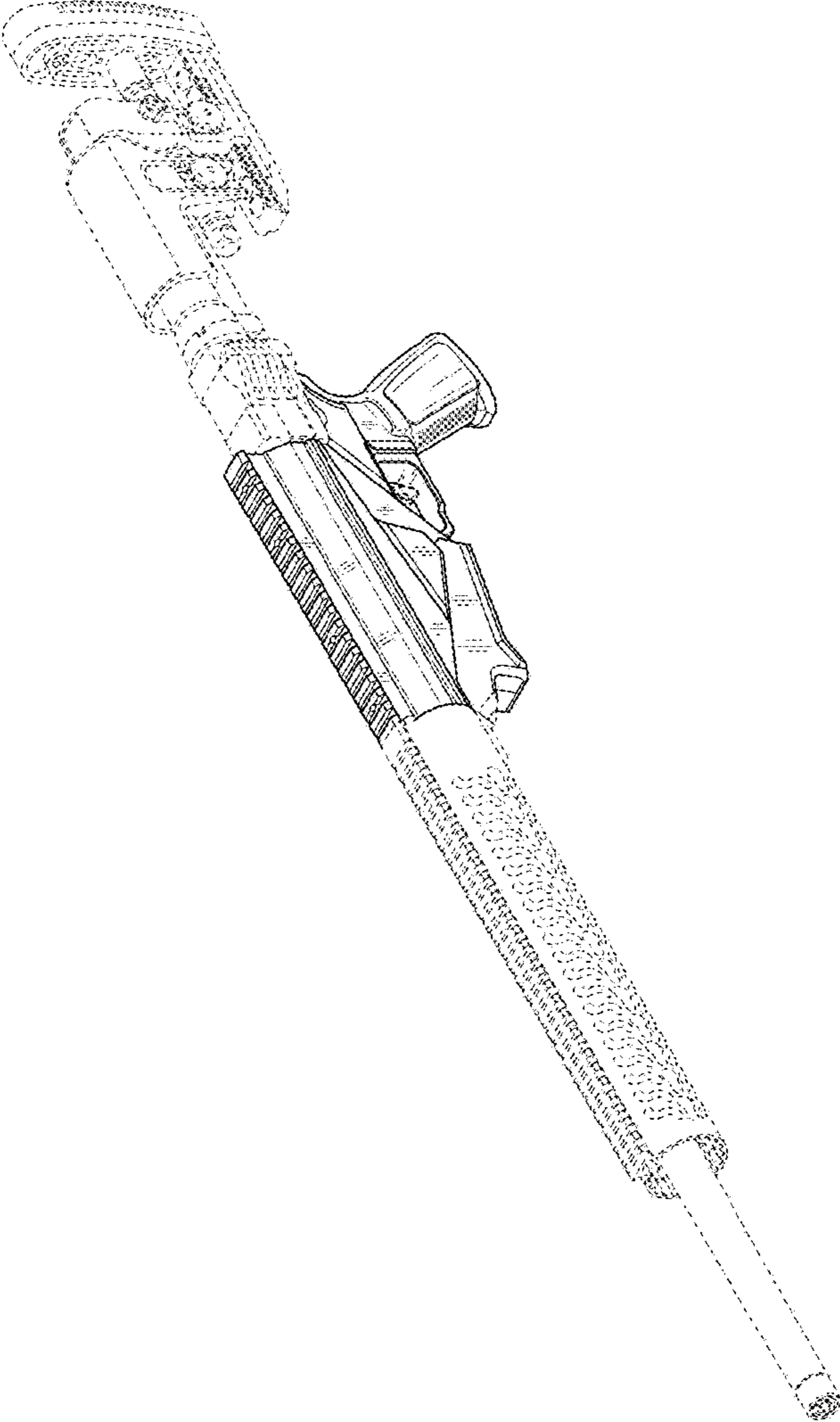


FIG. 1

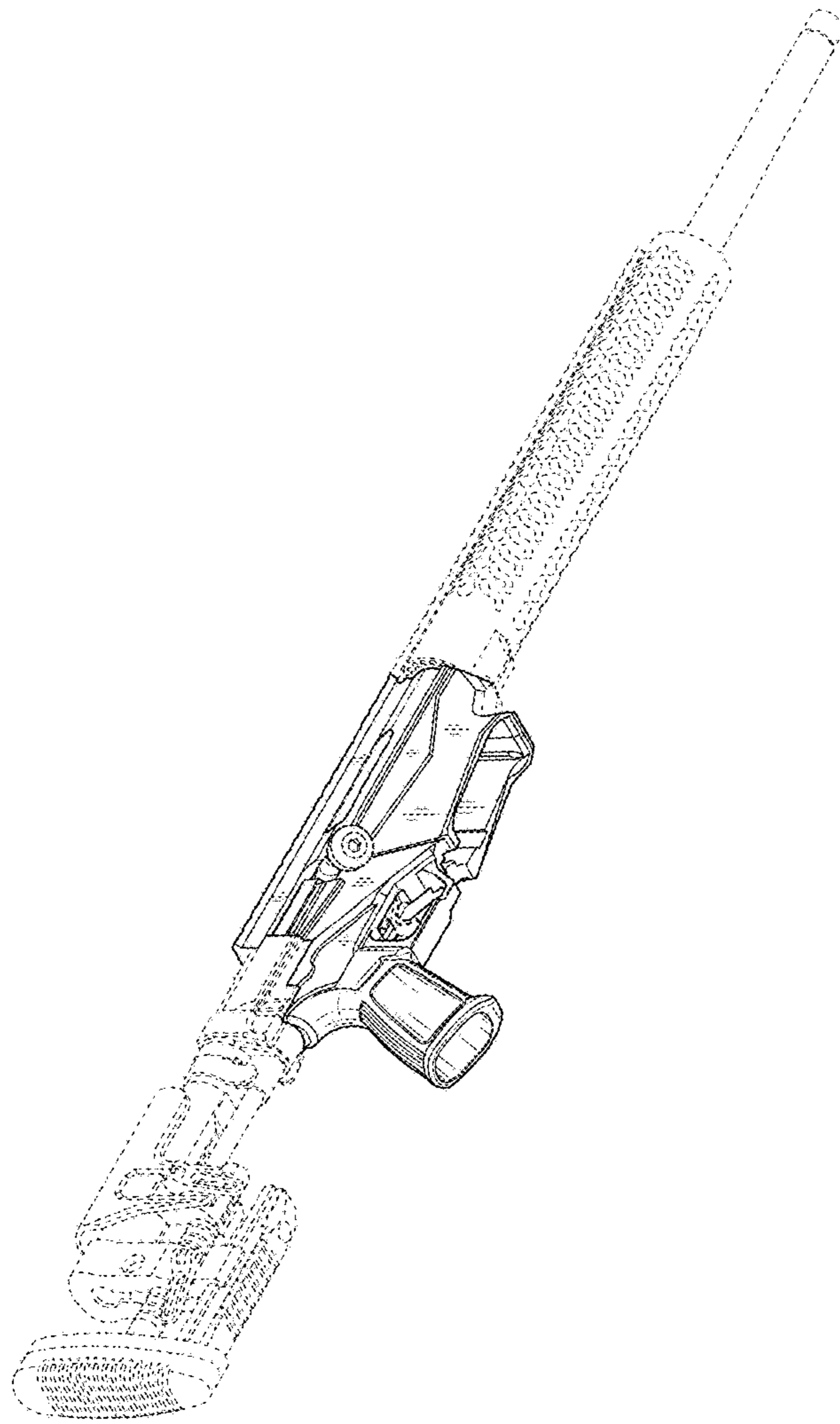


FIG. 2

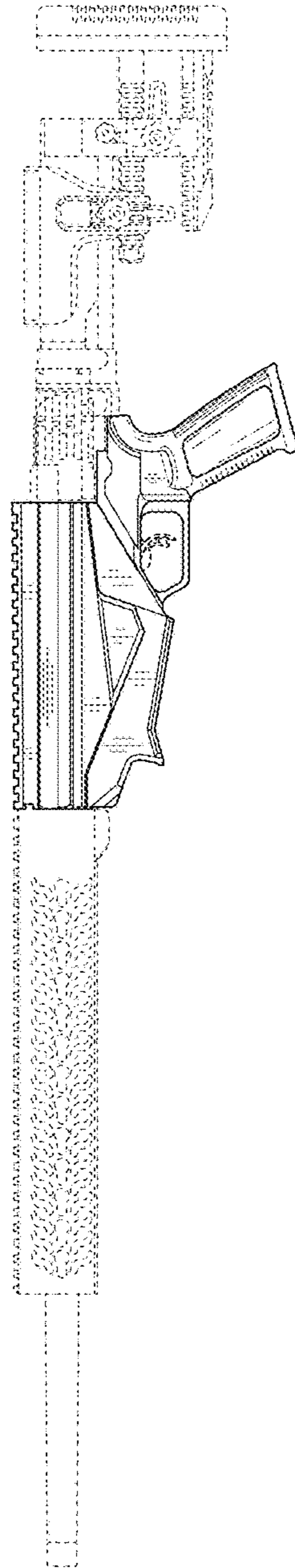


FIG. 3

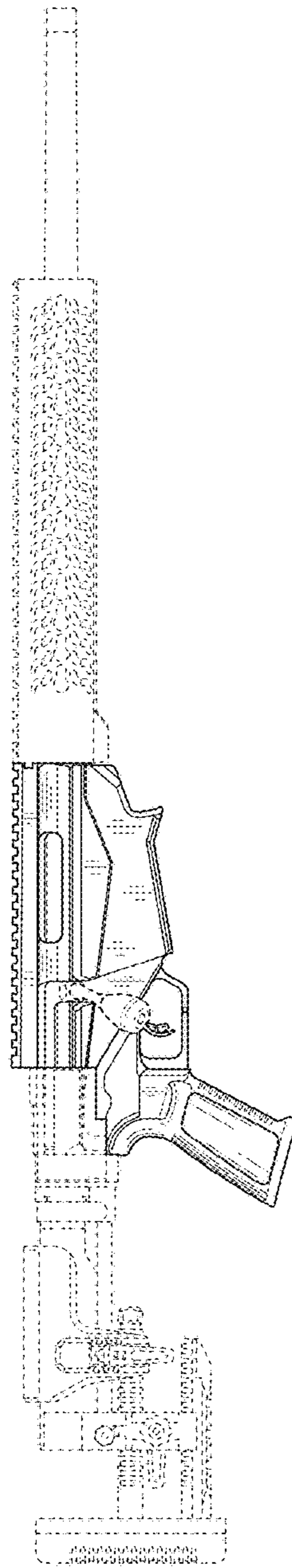


FIG. 4

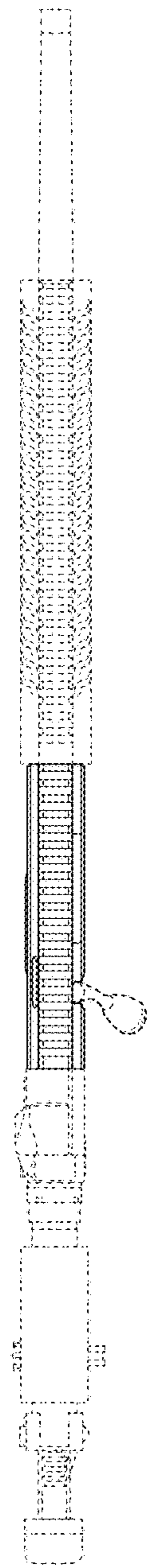


FIG. 5

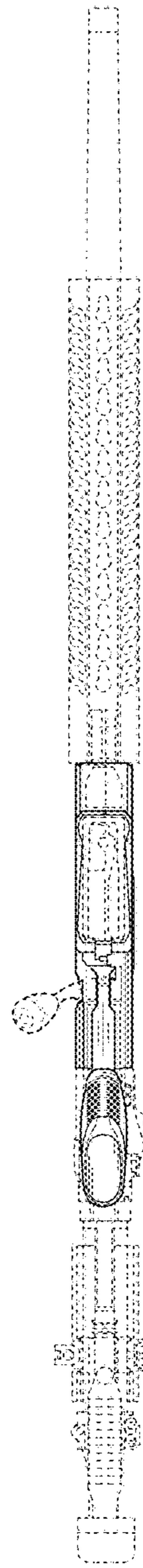


FIG. 6

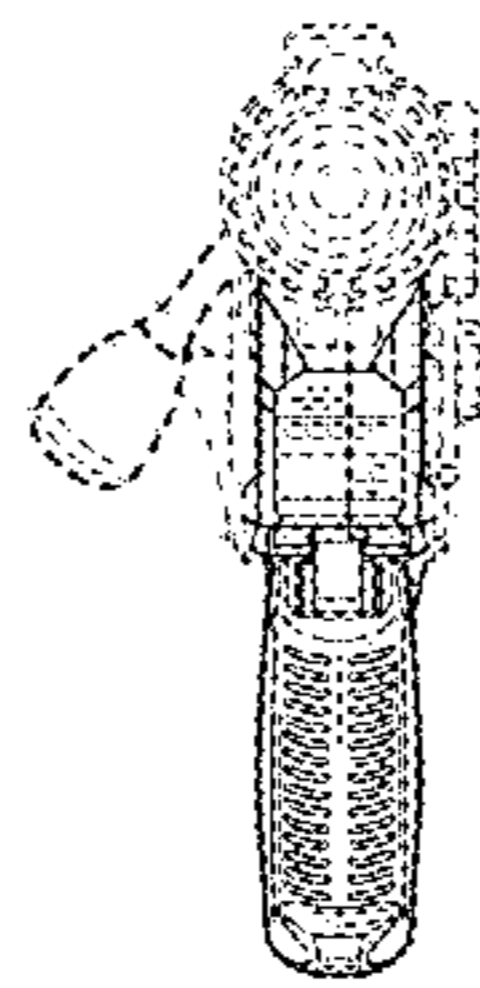


FIG. 7

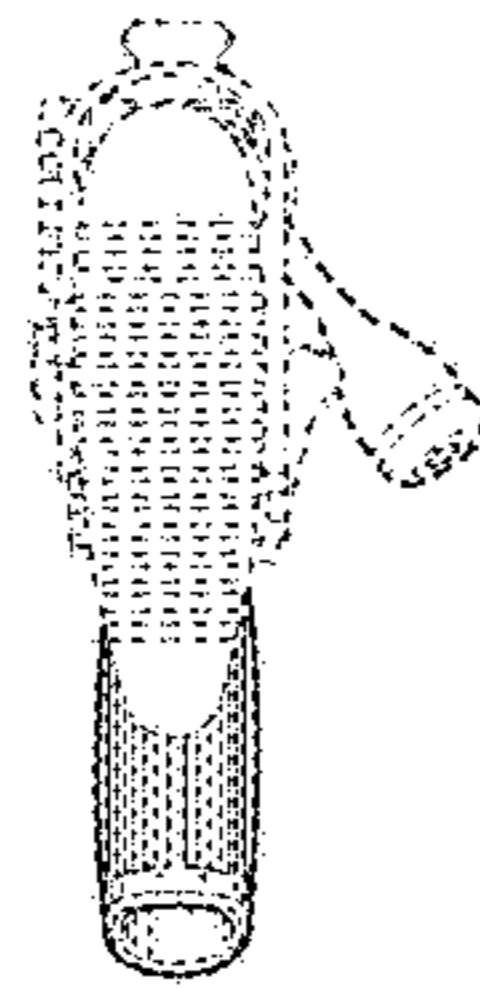


FIG. 8