



US00D844732S

(12) **United States Design Patent** (10) **Patent No.:** **US D844,732 S**
Hunter (45) **Date of Patent:** **** Apr. 2, 2019**

- (54) **WATER RIDE** 6,006,672 A 12/1999 Newfarmer et al.
- 6,354,955 B1 * 3/2002 Stuart A63G 21/18
104/70
- (71) Applicant: **PROSLIDE TECHNOLOGY INC.**, 6,435,927 B1 8/2002 Fireman
Ottawa, Ontario (CA) 6,527,646 B1 3/2003 Briggs
- (72) Inventor: **Richard D. Hunter**, Ottawa (CA) 6,561,914 B2 5/2003 Henry
- (73) Assignee: **ProSlide Technology Inc.**, Ottawa (CA) 6,702,687 B1 3/2004 Henry
- 6,743,108 B2 6/2004 Hunter
- 6,758,231 B1 7/2004 Lochtefeld et al.
- (**) Term: **15 Years** (Continued)

- (21) Appl. No.: **29/623,094**
- (22) Filed: **Oct. 23, 2017**

Related U.S. Application Data

- (60) Division of application No. 29/571,270, filed on Jul. 15, 2016, now Pat. No. Des. 809,618, which is a continuation of application No. PCT/CA2015/051059, filed on Mar. 15, 2015.
- (51) **LOC (11) Cl.** **21-03**
- (52) **U.S. Cl.**
USPC **D21/821**
- (58) **Field of Classification Search**
USPC D21/818-822
CPC A63G 21/00-21/22; A63G 31/007
See application file for complete search history.

References Cited

U.S. PATENT DOCUMENTS

- 2,604,055 A 7/1949 Snowden
- 3,000,022 A 9/1961 Cathey et al.
- 3,438,074 A 4/1969 Goyen
- 5,031,556 A 6/1991 Blee
- 5,213,547 A 5/1993 Lochtefeld
- 5,219,315 A 6/1993 Fuller et al.
- 5,503,597 A 4/1996 Lochtefeld
- 5,527,646 A 6/1996 Ogino et al.
- 5,716,282 A 2/1998 Ring
- 5,738,590 A 4/1998 Lochtefeld

FOREIGN PATENT DOCUMENTS

- CA 2654714 A1 3/2002
 - CA 2674329 A1 1/2011
- (Continued)

Primary Examiner — Mitchell I. Siegel
(74) *Attorney, Agent, or Firm* — Finnegan, Henderson, Farabow, Garrett & Dunner, L.L.P.

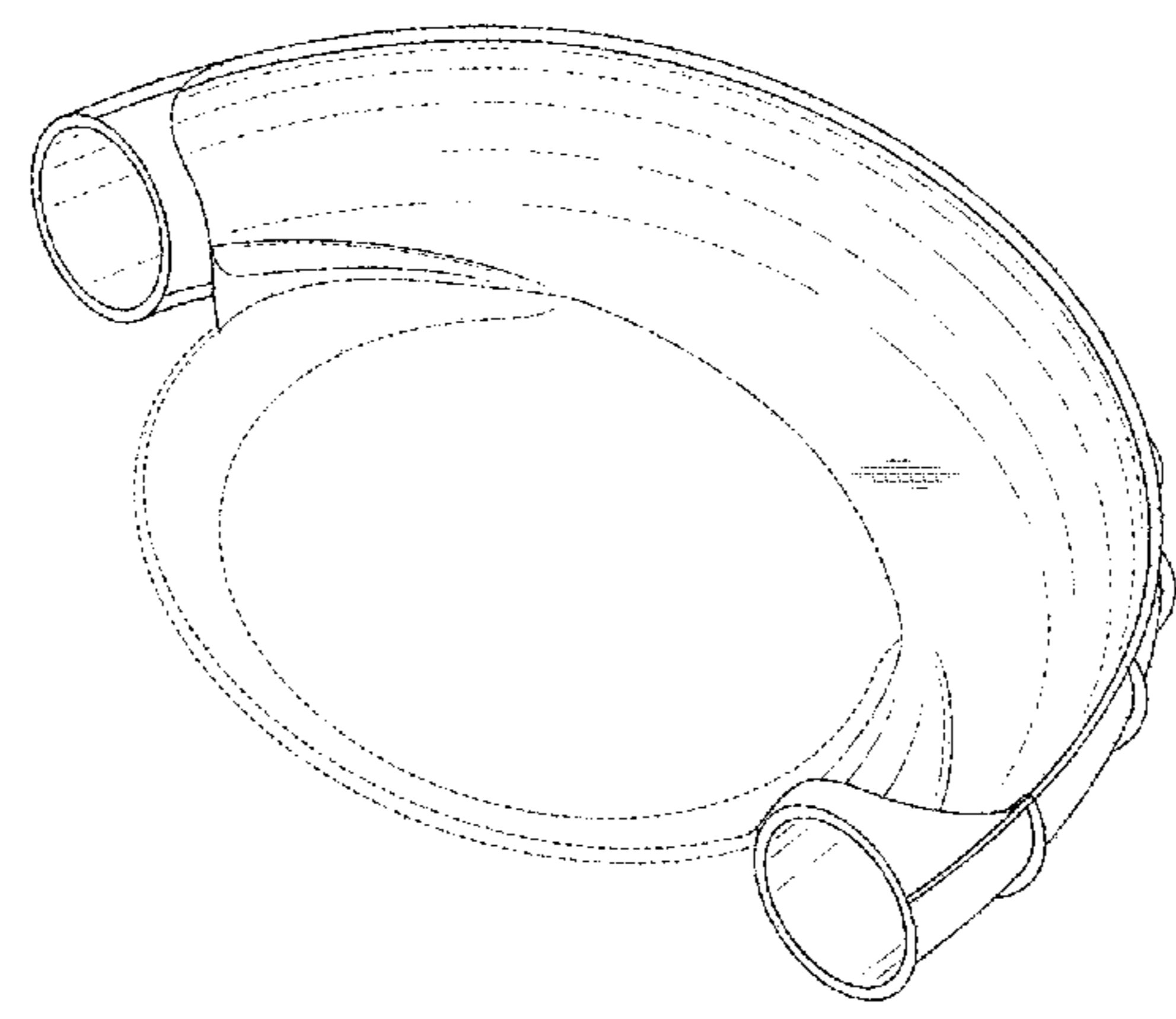
(57) **CLAIM**

The ornamental design for a water ride, as shown and described.

DESCRIPTION

FIG. 1 is a perspective view of a water ride showing my new design;
FIG. 2 is a front view thereof;
FIG. 3 is a rear view thereof;
FIG. 4 is a left side view thereof;
FIG. 5 is a right side view thereof;
FIG. 6 is a top view thereof; and,
FIG. 7 is a bottom view thereof.
The broken line showing on the water ride is included for the purpose of illustrating unclaimed subject matter and forms no part of the claimed design. The dot-dash lines define the boundary of the claimed design and forms no part of the claimed design.

1 Claim, 7 Drawing Sheets



(56)

References Cited

U.S. PATENT DOCUMENTS

D521,098 S * 5/2006 Hunter A63G 31/007
D21/819

7,229,359 B2 6/2007 Henry

D548,810 S * 8/2007 Hunter D21/821

7,285,053 B2 10/2007 Henry et al.

D567,322 S * 4/2008 Hunter D21/821

D583,895 S * 12/2008 Hlynka D21/821

7,497,784 B2 3/2009 Henry

7,713,134 B2 * 5/2010 Hunter A63G 21/02
472/117

7,727,077 B2 6/2010 Henry et al.

7,731,595 B2 6/2010 Hlynka

7,740,542 B2 6/2010 Henry et al.

7,758,435 B2 7/2010 Henry et al.

7,758,535 B2 7/2010 Levine et al.

7,762,900 B2 7/2010 Henry et al.

7,766,753 B2 8/2010 Henry et al.

7,780,537 B2 * 8/2010 Hlynka A63G 21/18
472/117

7,785,207 B2 8/2010 Henry et al.

7,887,426 B2 * 2/2011 Hlynka A63G 21/18
104/70

7,942,752 B2 5/2011 Henry

7,967,692 B2 6/2011 Werner

D650,463 S * 12/2011 Degirmenci D21/819

8,070,616 B2 12/2011 Dubois et al.

8,075,413 B2 12/2011 Henry et al.

8,079,916 B2 12/2011 Henry

8,192,291 B2 * 6/2012 Brassard A63G 21/18
104/69

8,197,353 B2 * 6/2012 Brassard A63G 21/18
104/69

8,210,954 B2 7/2012 Henry et al.

8,282,497 B2 10/2012 Henry et al.

8,360,894 B2 * 1/2013 Hlynka A63G 31/007
472/117

8,360,895 B2 1/2013 Brown

8,430,760 B2 * 4/2013 Brassard A63G 21/18
472/117

8,453,579 B2 6/2013 Nemeth

8,579,715 B2 11/2013 Olive et al.

D705,381 S * 5/2014 Brassard D21/821

D771,213 S * 11/2016 Ozturk D21/821

D779,010 S * 2/2017 Ozturk D21/821

D809,618 S * 2/2018 Hunter A63G 21/18
D21/821

2010/0160054 A1 6/2010 Henry

2012/0201605 A1 9/2012 Hill

2012/0258812 A1 10/2012 Osterman et al.

2013/0184087 A1 7/2013 Degirmenci

2016/0136527 A1 5/2016 Hunter

2017/0043264 A1 2/2017 Hunter et al.

2017/0106295 A1 4/2017 Hunter

FOREIGN PATENT DOCUMENTS

CA 2778601 A1 5/2011

CA 2690687 A1 6/2011

CN 2905159 5/2007

CN 101417179 A 4/2009

JP H-03258280 11/1991

WO WO 88/05745 A1 8/1988

WO WO 2012/048016 A2 4/2012

WO WO 2013/000090 A1 1/2013

WO WO 2014/059551 A1 4/2014

WO WO 2015/161382 A1 10/2015

WO WO 2015/188265 A1 12/2015

* cited by examiner

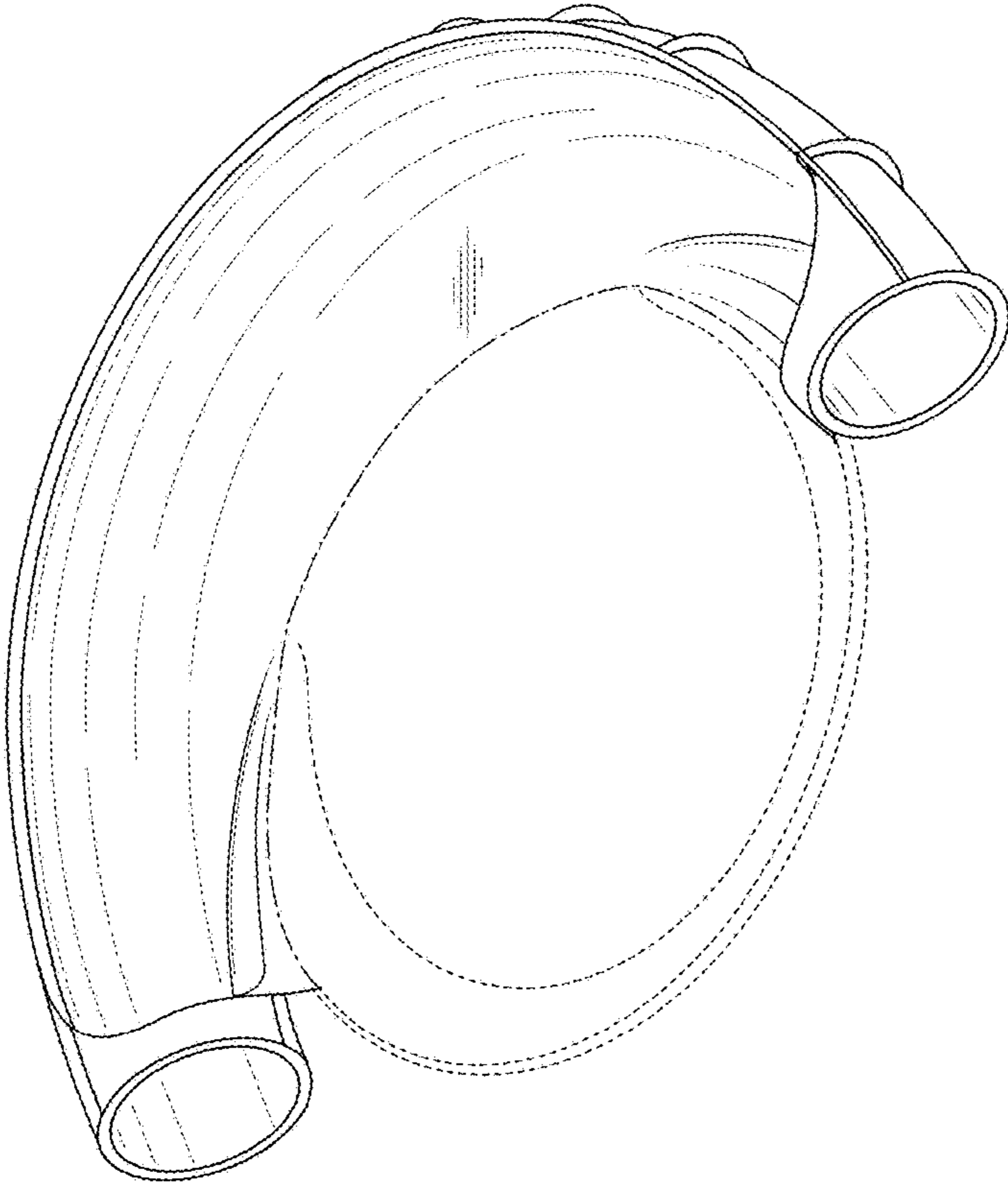


FIG. 1

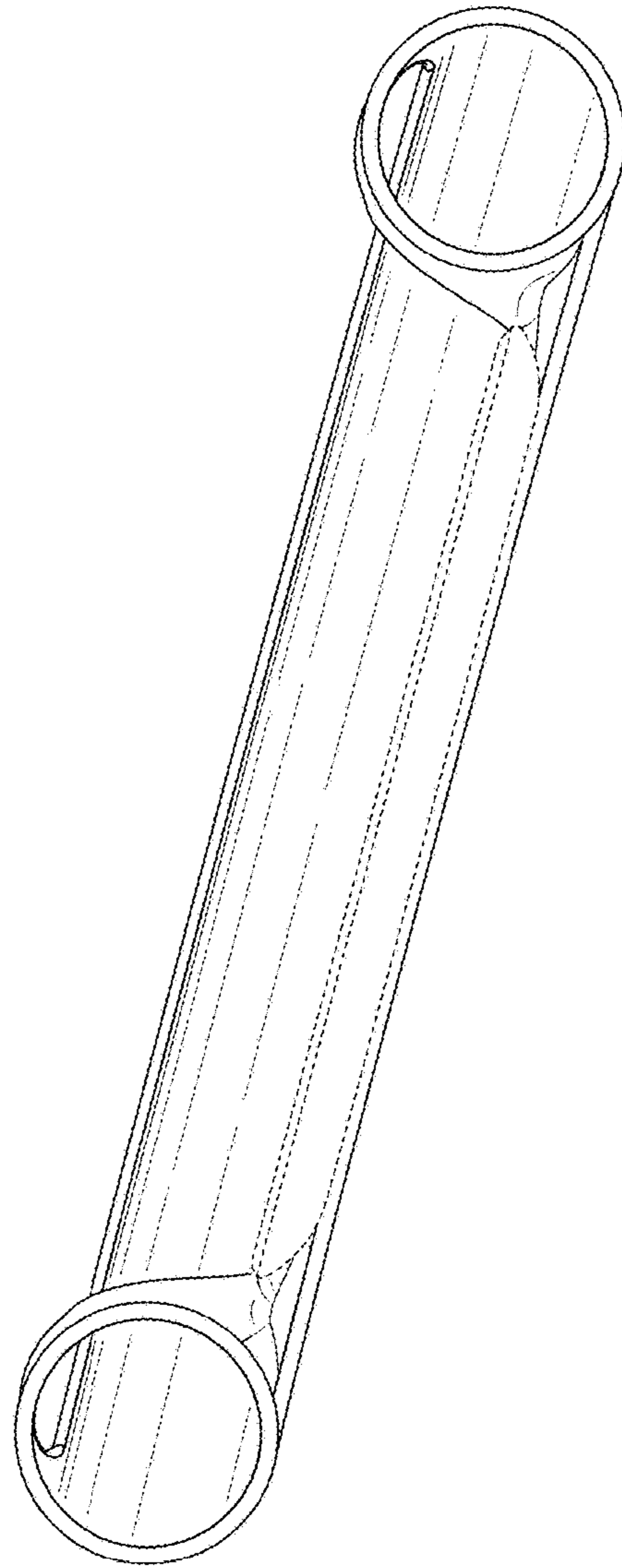


FIG. 2

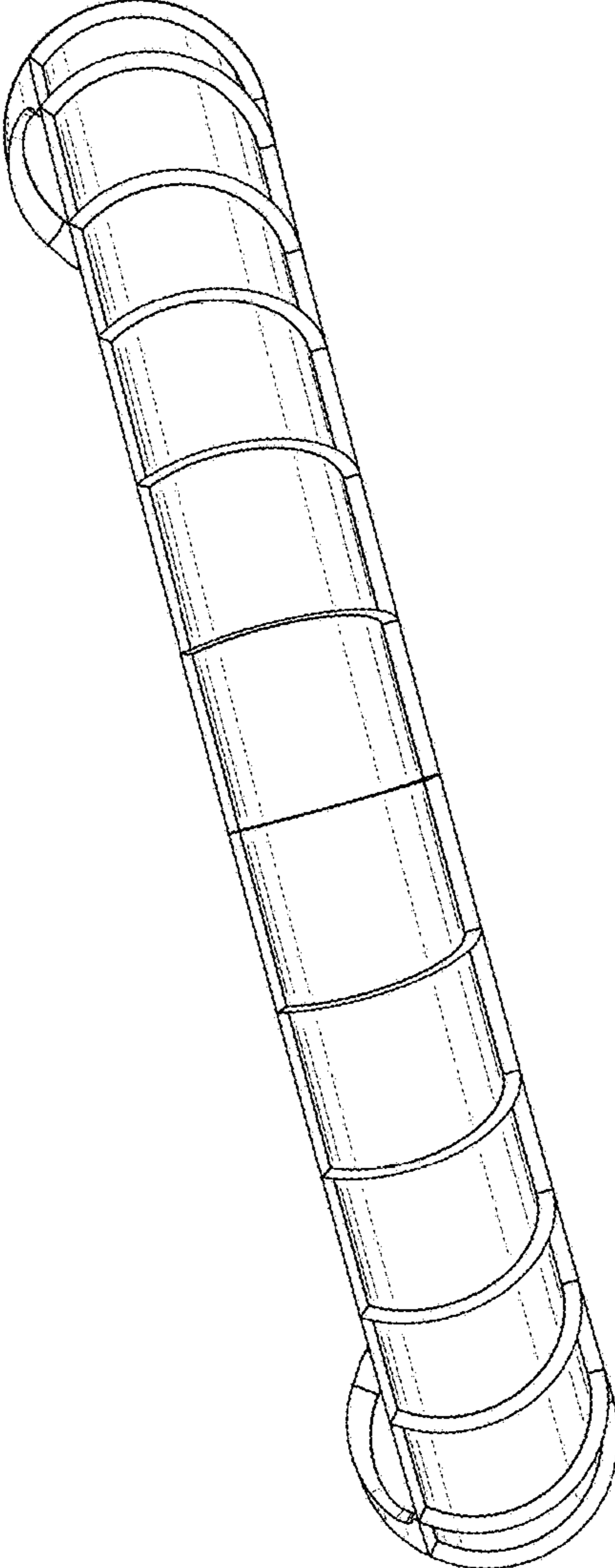


FIG. 3

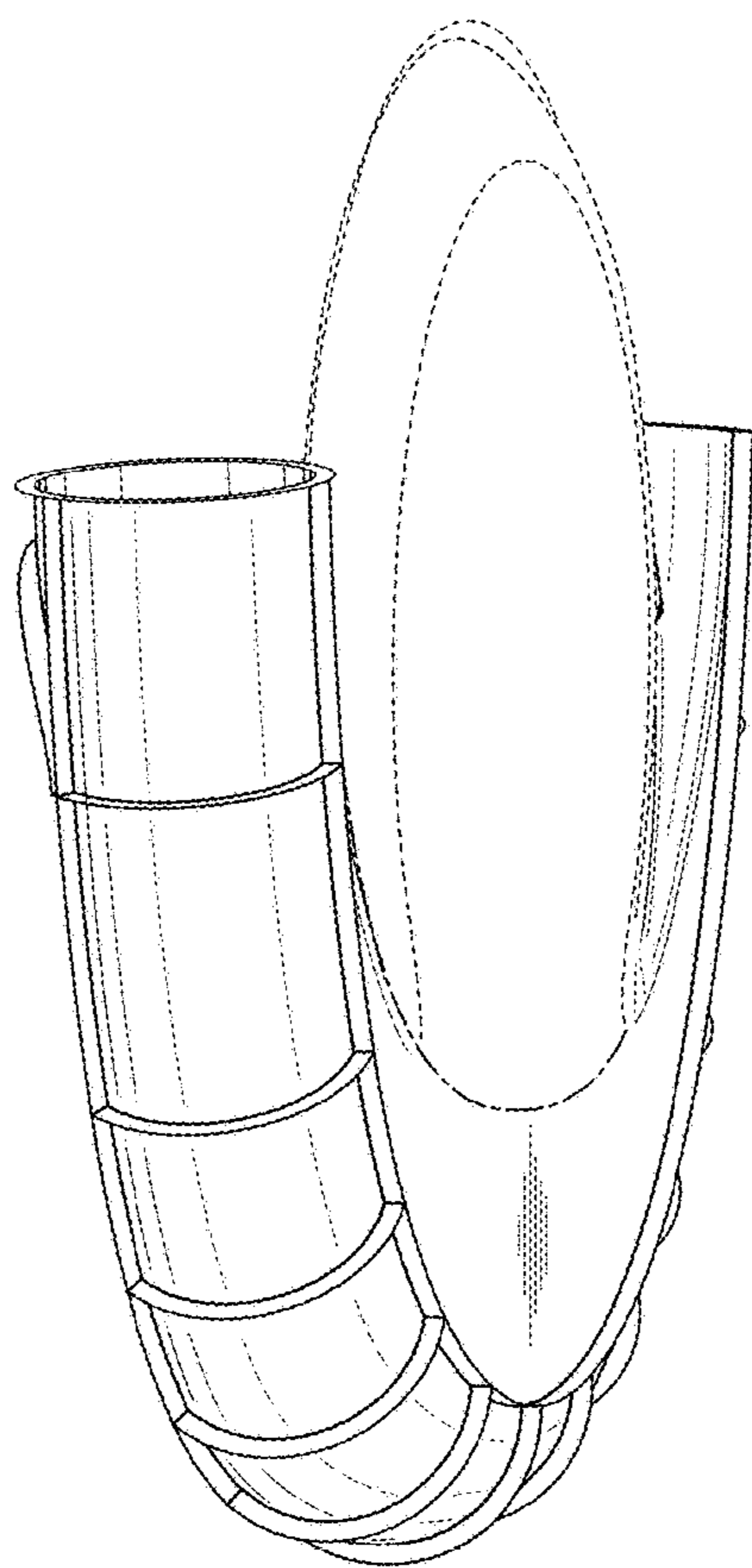


FIG. 4

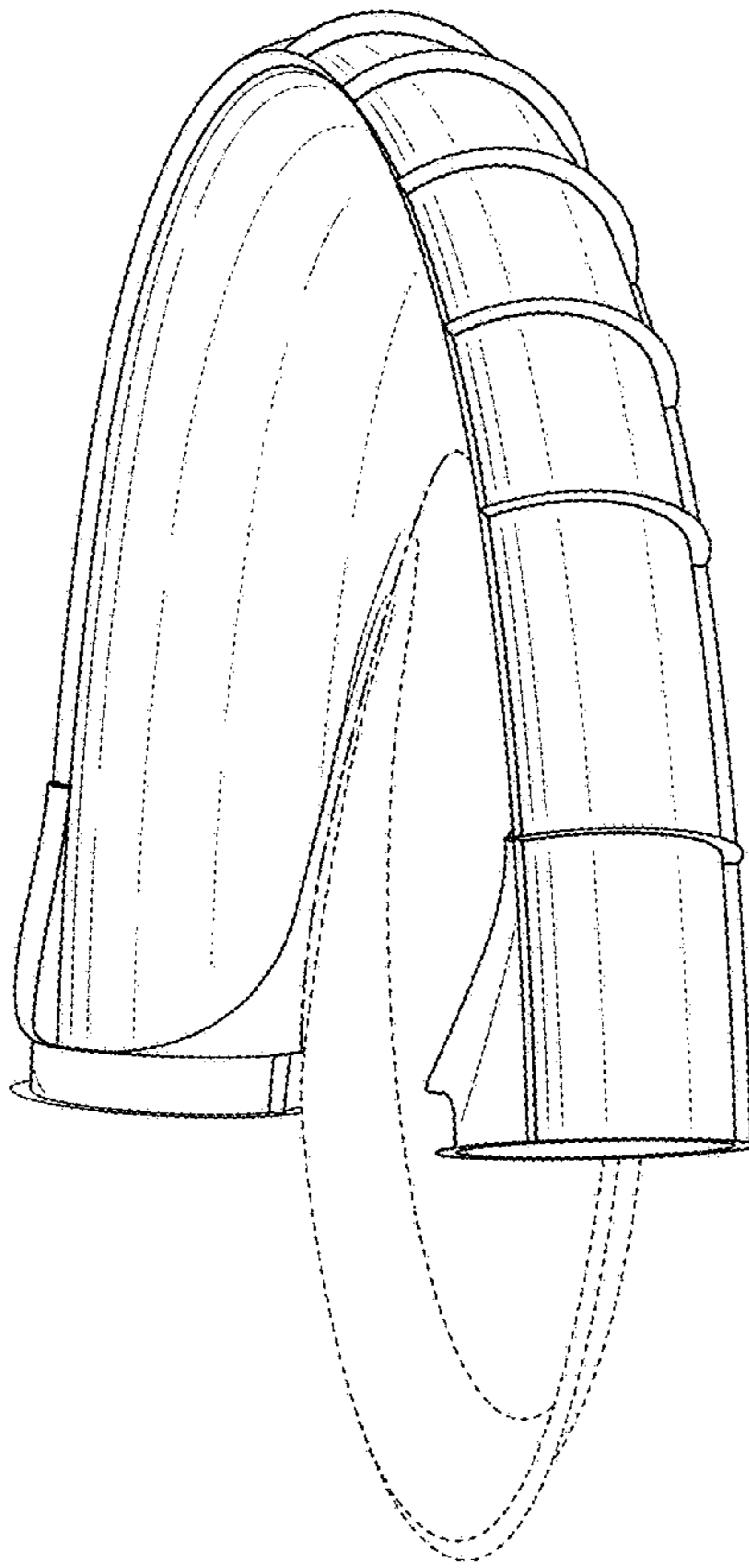


FIG. 5

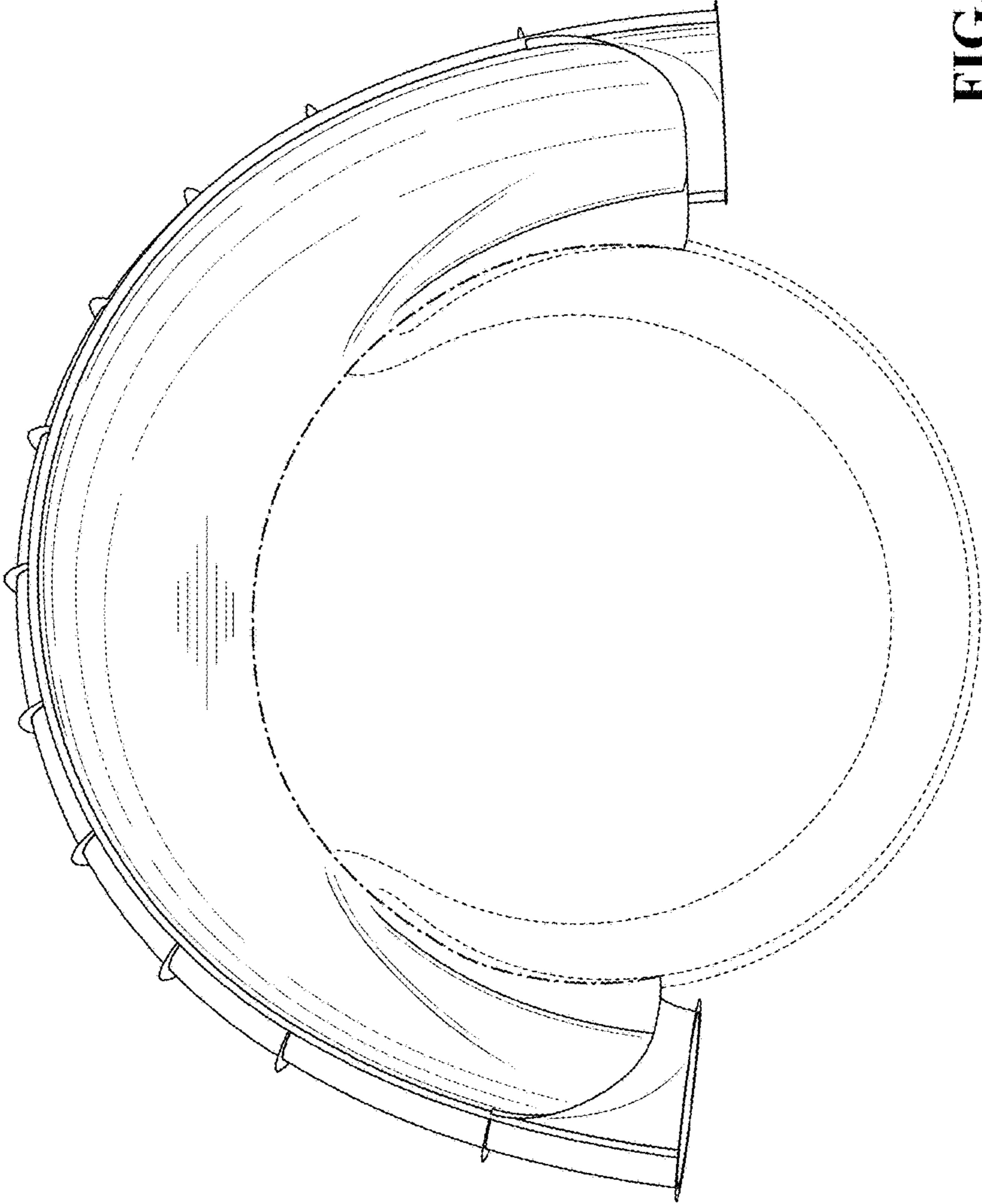


FIG. 6

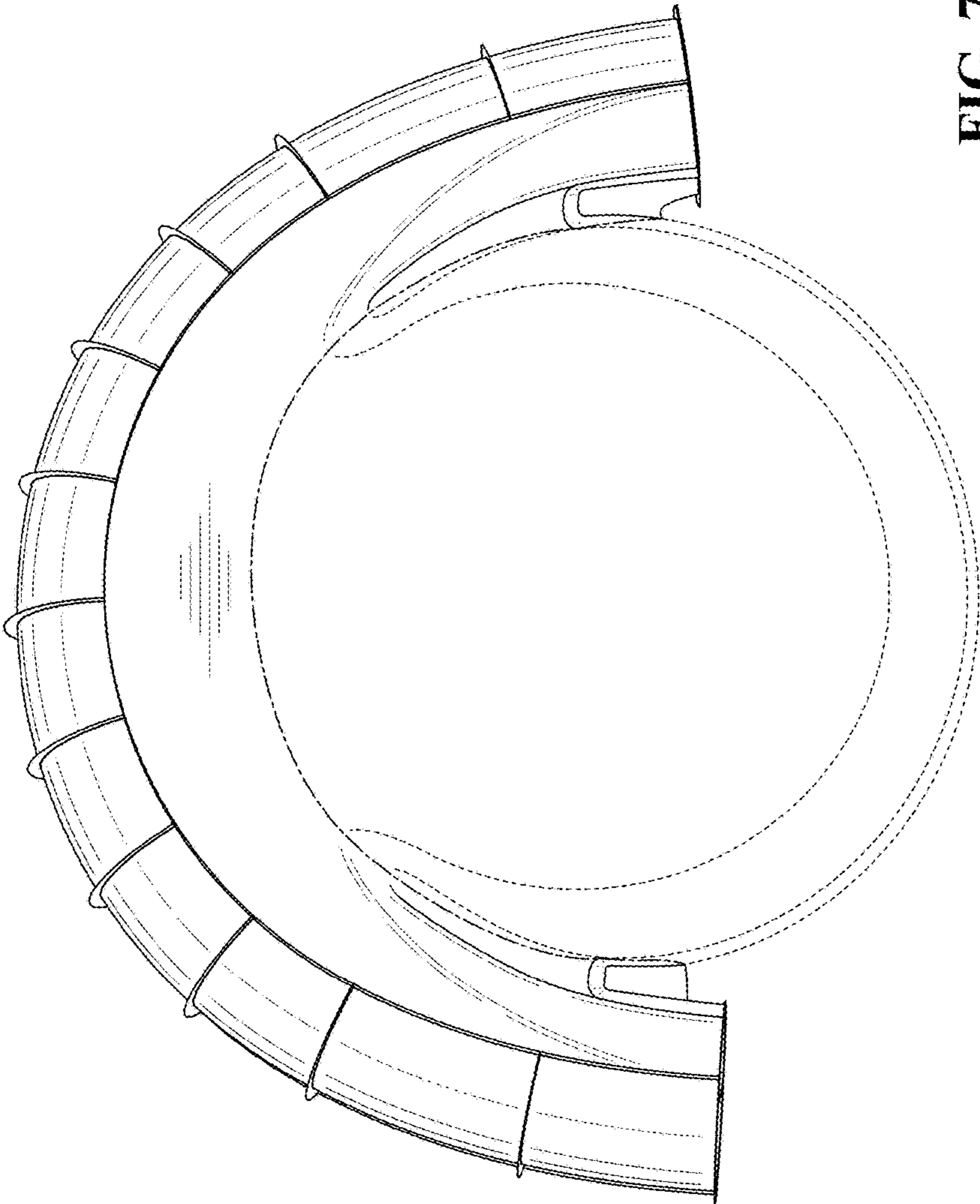


FIG. 7

UNITED STATES PATENT AND TRADEMARK OFFICE
CERTIFICATE OF CORRECTION

PATENT NO. : D844,732 S
APPLICATION NO. : 29/623094
DATED : April 2, 2019
INVENTOR(S) : Richard D. Hunter

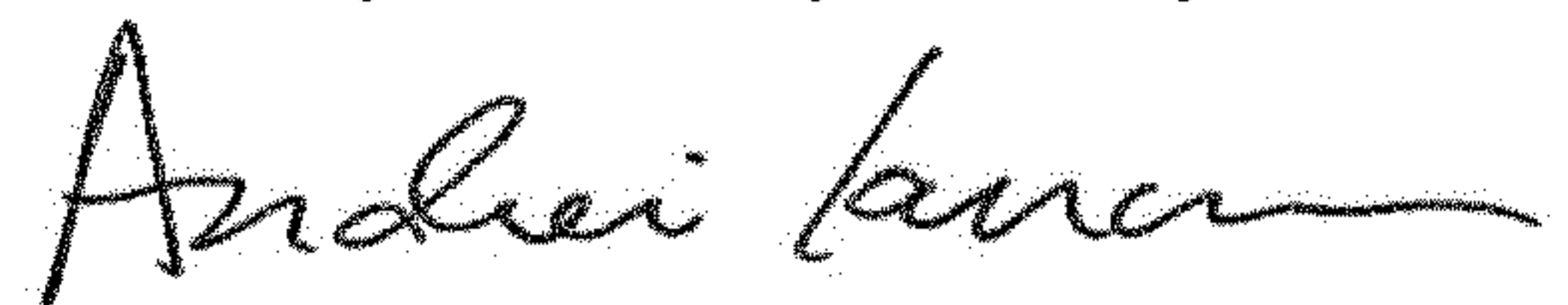
Page 1 of 1

It is certified that error appears in the above-identified patent and that said Letters Patent is hereby corrected as shown below:

On the Title Page

Please correct the fourth line of item (60) under "Related U.S. Application Data" as follows:
PCT/CA2015/050159, filed on Mar. 15, 2015.

Signed and Sealed this
Twenty-first Day of May, 2019



Andrei Iancu
Director of the United States Patent and Trademark Office