



US00D844731S

(12) **United States Design Patent** (10) **Patent No.:** **US D844,731 S**
Chin (45) **Date of Patent:** **** Apr. 2, 2019**

- (54) **ASSEMBLY OF CLIMBING FRAME AND SLIDE**
- (71) Applicant: **T. K. CHIN COMPANY LTD.**, Taipei (TW)
- (72) Inventor: **Howard Chin**, Taipei (TW)
- (73) Assignee: **T. K. Chin Company Ltd.**, Taipei (TW)
- (**) Term: **15 Years**
- (21) Appl. No.: **29/625,907**
- (22) Filed: **Nov. 14, 2017**
- (51) **LOC (11) Cl.** **21-02**
- (52) **U.S. Cl.**
USPC **D21/818**; D21/826
- (58) **Field of Classification Search**
USPC D21/811, 814, 818-821, 826-827
CPC A63G 21/00-21/22; A63B 9/00; A63B 2009/006; A63B 2208/12
See application file for complete search history.

(56) **References Cited**

U.S. PATENT DOCUMENTS

1,708,883	A *	4/1929	Hedges	A63B 9/00
					472/116
1,901,964	A *	3/1933	Haskell	A63B 9/00
					482/36
D93,825	S *	11/1934	Home	D21/826
D100,562	S *	7/1936	Home	D21/826
D160,419	S *	10/1950	Packer	D21/826
D177,752	S *	5/1956	Parker	D21/818
D187,138	S *	2/1960	Highberger	D21/826
D188,201	S *	6/1960	Epstein	D21/826
D189,581	S *	1/1961	Williams et al.	D21/818
D194,214	S *	12/1962	Shepard	D21/827
D195,633	S *	7/1963	Haubert	D21/827
D196,735	S *	10/1963	Grudoski	D21/826

3,113,400	A *	12/1963	Emond	A01G 9/12
					211/181.1
D214,326	S *	6/1969	Wormser	D21/818
D220,505	S *	4/1971	Zick	D21/818
D222,487	S *	10/1971	Korte	D21/826
D224,243	S *	7/1972	Hock et al.	D21/818
D224,245	S *	7/1972	Hock	D21/823
D224,247	S *	7/1972	Jamison	D21/818
D225,344	S *	12/1972	Henning et al.	D21/826
D226,935	S *	5/1973	Wormser et al.	D21/818
D227,792	S *	7/1973	Henning et al.	D21/818
D235,902	S *	7/1975	Zick	D21/818
D237,398	S *	10/1975	Wormser	D21/827
D250,723	S *	1/1979	Dieter	472/116
D250,783	S *	1/1979	Dieter	472/116
4,369,965	A *	1/1983	Ahrens	A63B 9/00
					482/35
D268,693	S *	4/1983	Works	D21/822
D268,858	S *	5/1983	Works	D21/822

(Continued)

Primary Examiner — Mitchell I. Siegel

(74) *Attorney, Agent, or Firm* — Alan D. Kamrath; Kamrath IP Lawfirm, P.A.

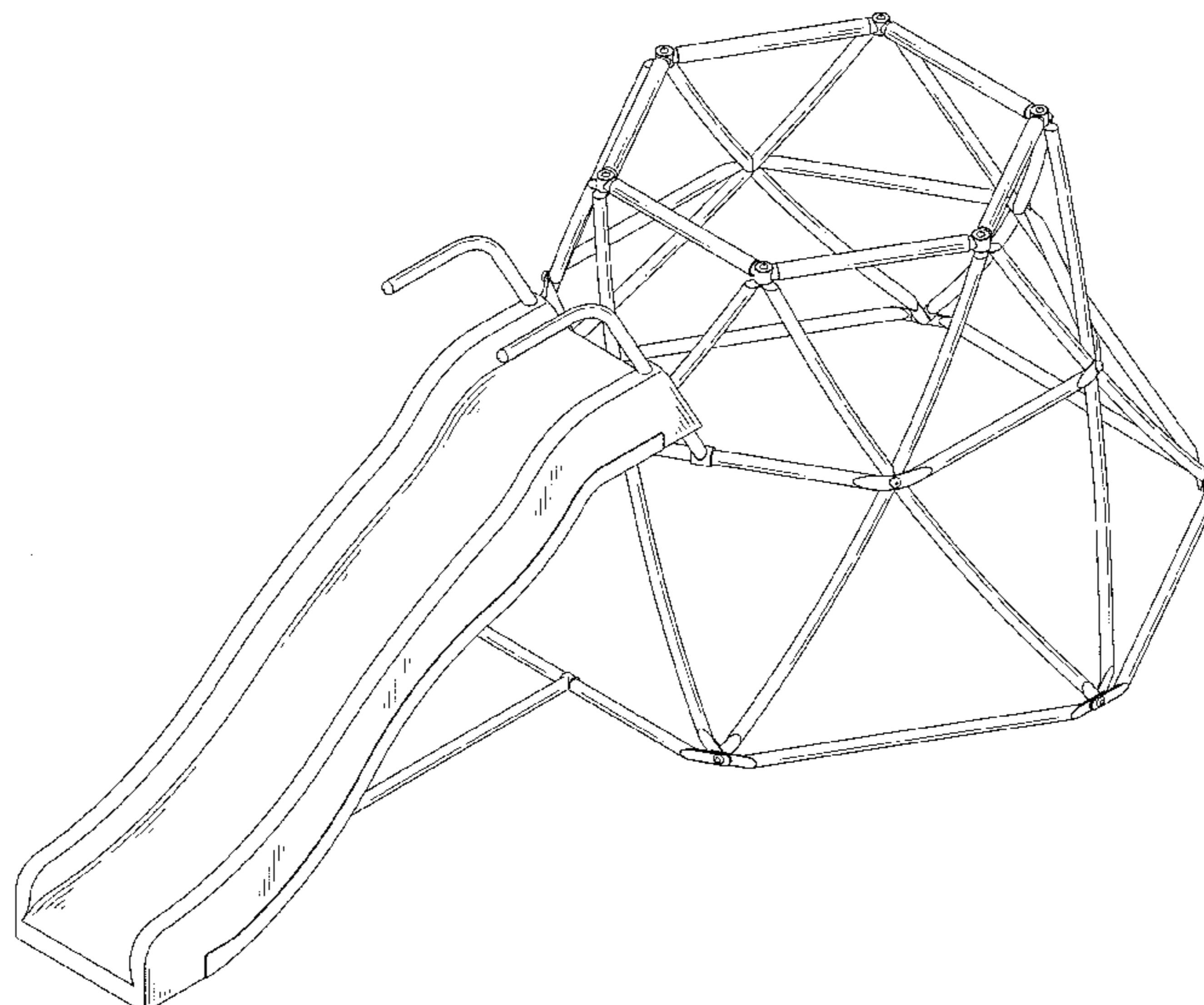
(57) **CLAIM**

The ornamental design for an assembly of a climbing frame and a slide, as shown and described.

DESCRIPTION

FIG. 1 is a perspective view of an assembly of a climbing frame and a slide, showing my new design;
 FIG. 2 is a front view thereof;
 FIG. 3 is a rear view thereof;
 FIG. 4 is a left side view thereof;
 FIG. 5 is a right side view thereof;
 FIG. 6 is a top view thereof;
 FIG. 7 is a bottom view thereof; and,
 FIG. 8 is a perspective view thereof; the broken line showing of the trampoline is for illustrative purposes only and forms no part of the claimed design.

1 Claim, 8 Drawing Sheets



(56)

References Cited

U.S. PATENT DOCUMENTS

D270,927	S	*	10/1983	Carlson	D21/818
D271,037	S	*	10/1983	Gordon	D21/822
D273,503	S	*	4/1984	Mariol	D21/818
D274,450	S	*	6/1984	Gordon	D21/822
D277,222	S	*	1/1985	Mower	D21/822
D281,985	S	*	12/1985	Spirk, Jr.	D21/818
D284,021	S	*	5/1986	Addleman	D21/818
D286,423	S	*	10/1986	Saxman	D21/818
D288,833	S	*	3/1987	Skalka	D21/826
D343,438	S	*	1/1994	Fish, Jr.	D21/818
D347,458	S	*	5/1994	Cunard	D21/818
D363,521	S	*	10/1995	Gilles	D21/818
D366,686	S	*	1/1996	Ziegler, Jr.	D21/826
D367,309	S	*	2/1996	van Huystee	D21/818
D367,911	S	*	3/1996	van Huystee	D21/818
D368,759	S	*	4/1996	Fuligni	D21/818
D435,881	S	*	1/2001	Gardner	D21/820
D436,224	S	*	1/2001	Gardner	D21/820
D536,406	S	*	2/2007	Nye	D21/818
D536,408	S	*	2/2007	Nye	D21/818
D575,840	S	*	8/2008	Sammann	D21/818
D601,220	S	*	9/2009	Sammann	D21/818
D615,607	S	*	5/2010	Hwang	D21/826
8,992,388	B2	*	3/2015	Beckwith	A63G 21/00 182/179.1
D731,611	S	*	6/2015	Klein	D21/826
D743,497	S	*	11/2015	Eroglu	D21/818
D832,966	S	*	11/2018	Nelson	D21/818
2009/0176622	A1	*	7/2009	Pizmony	A63B 9/00 482/35

* cited by examiner

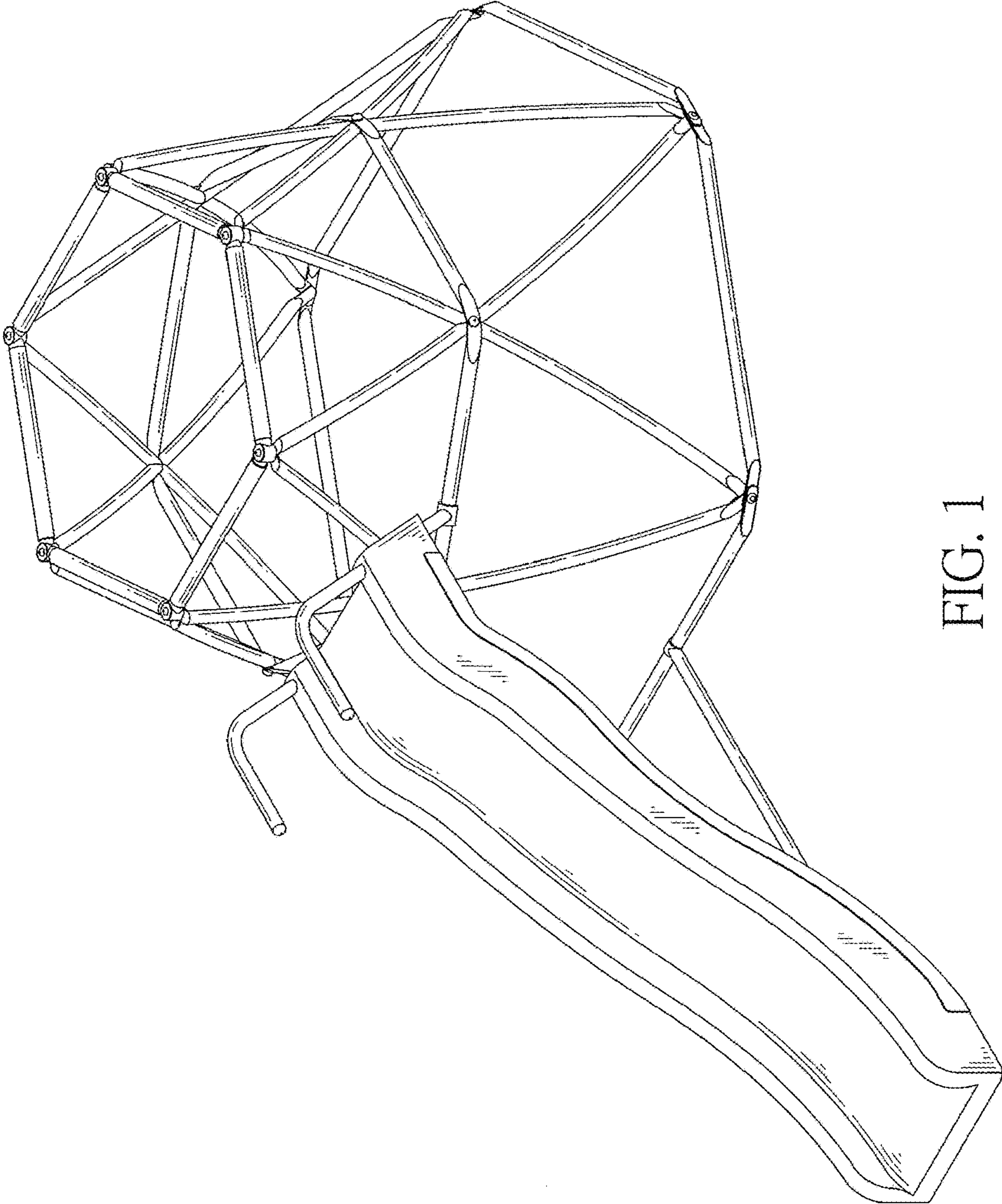


FIG. 1

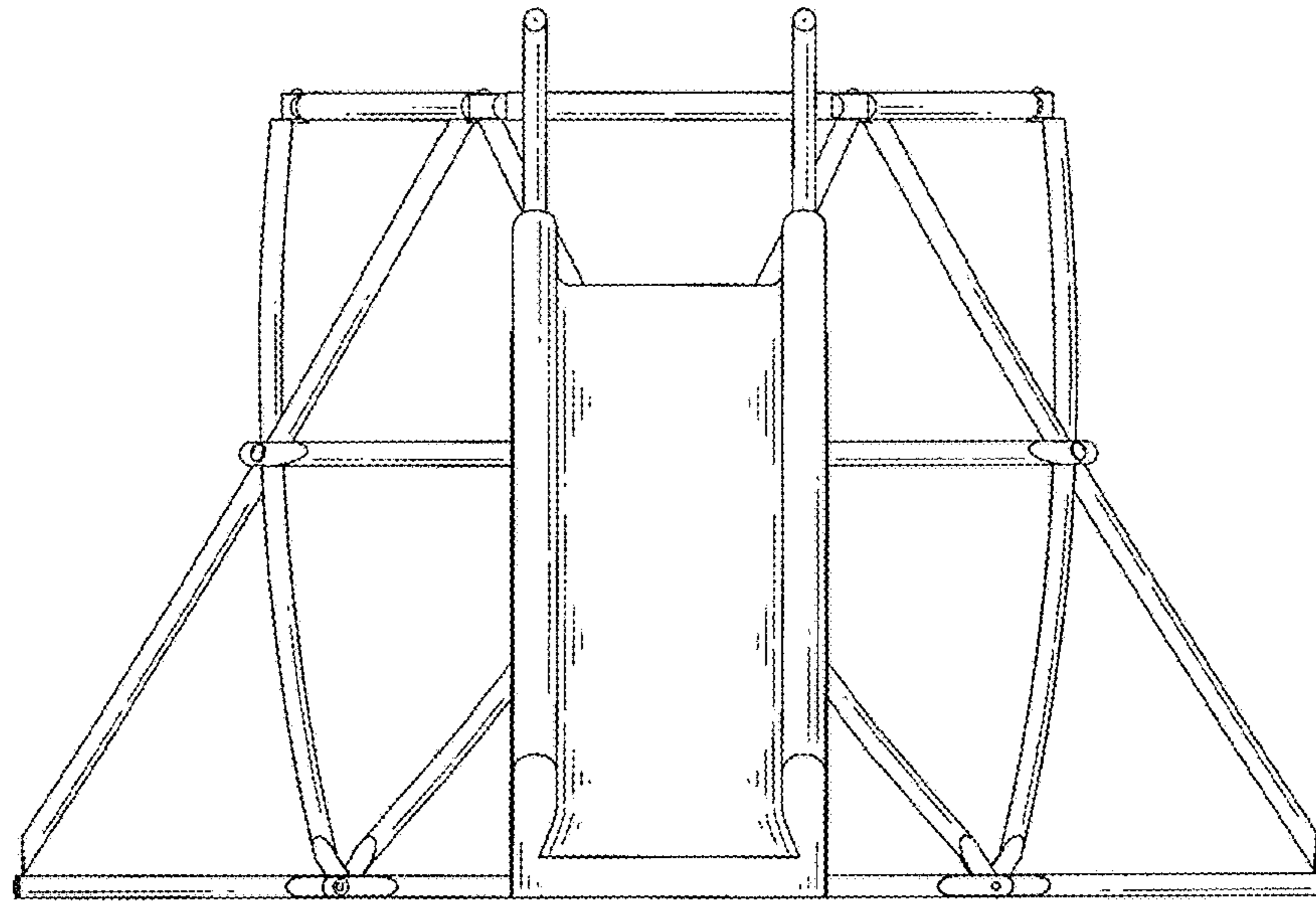


FIG. 2

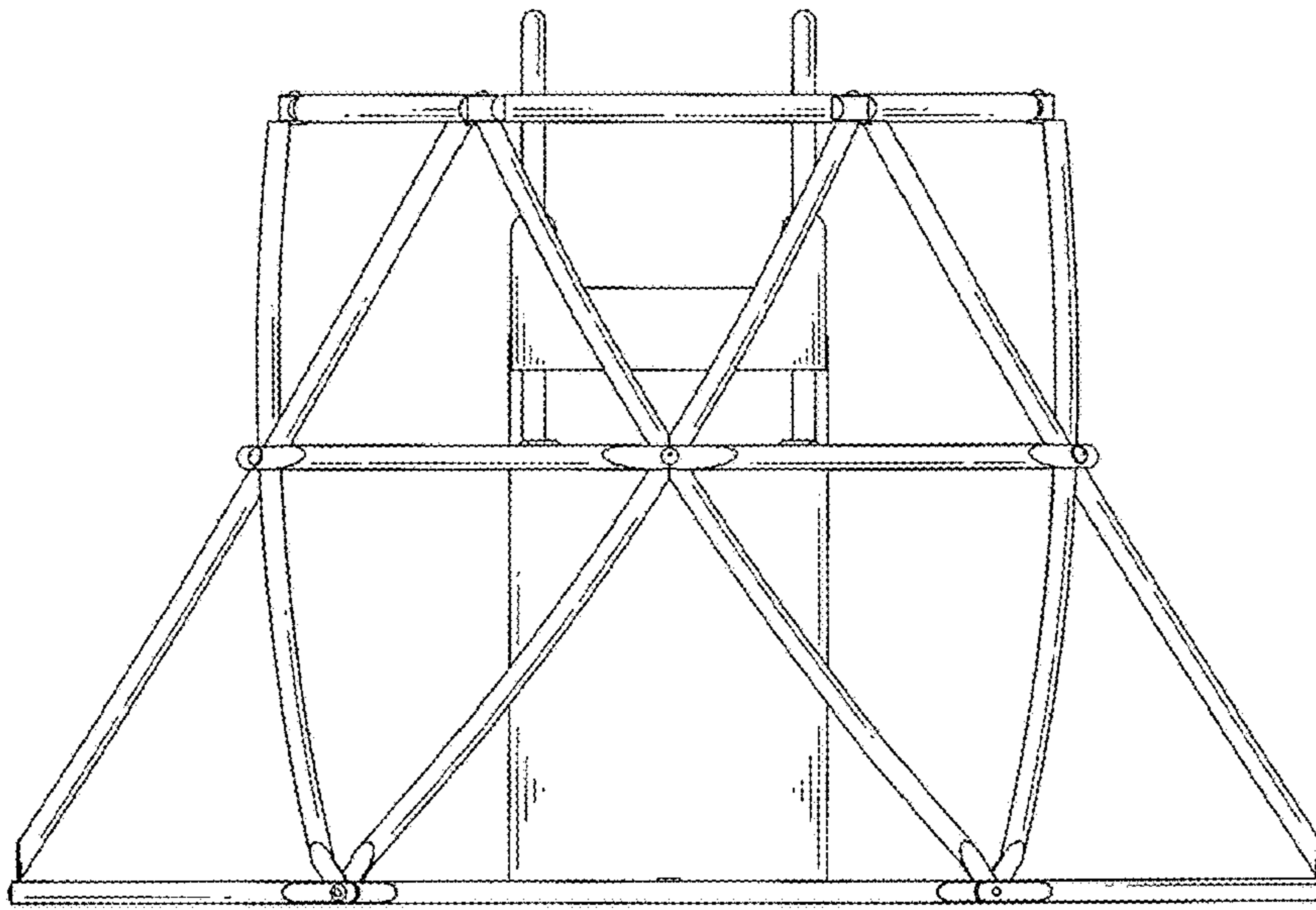


FIG. 3

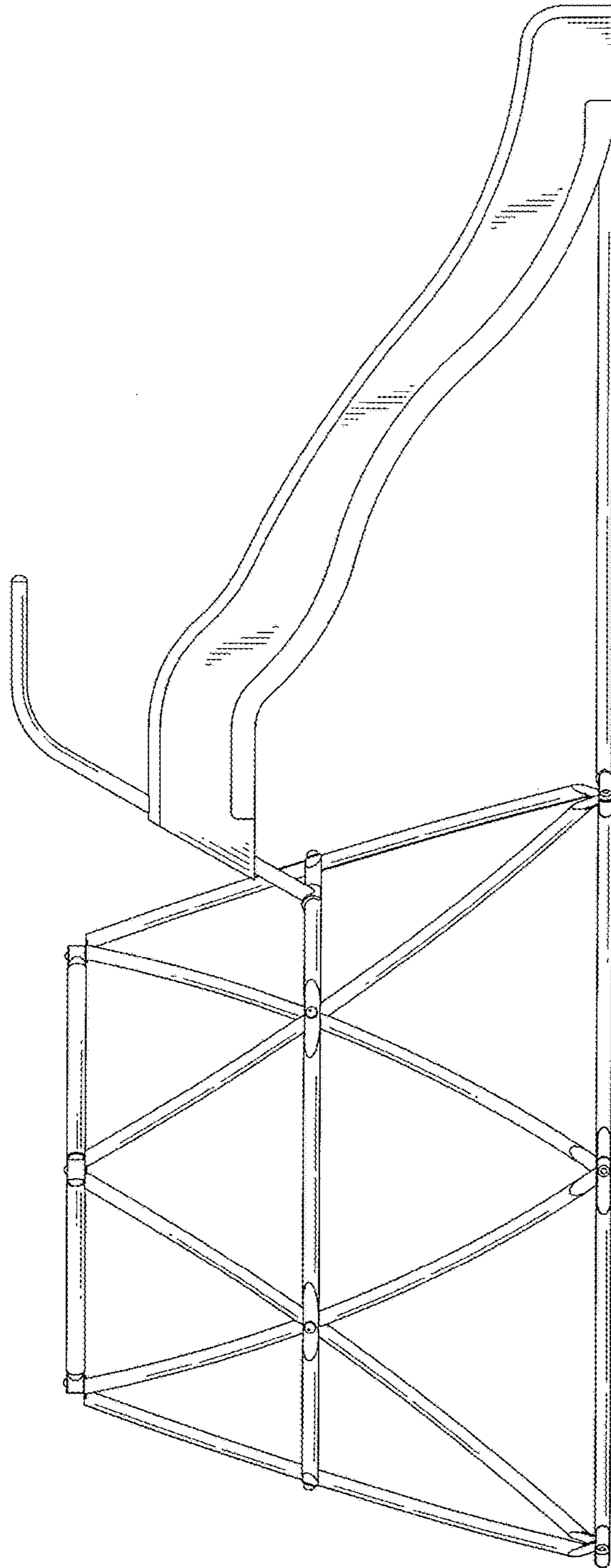


FIG. 4

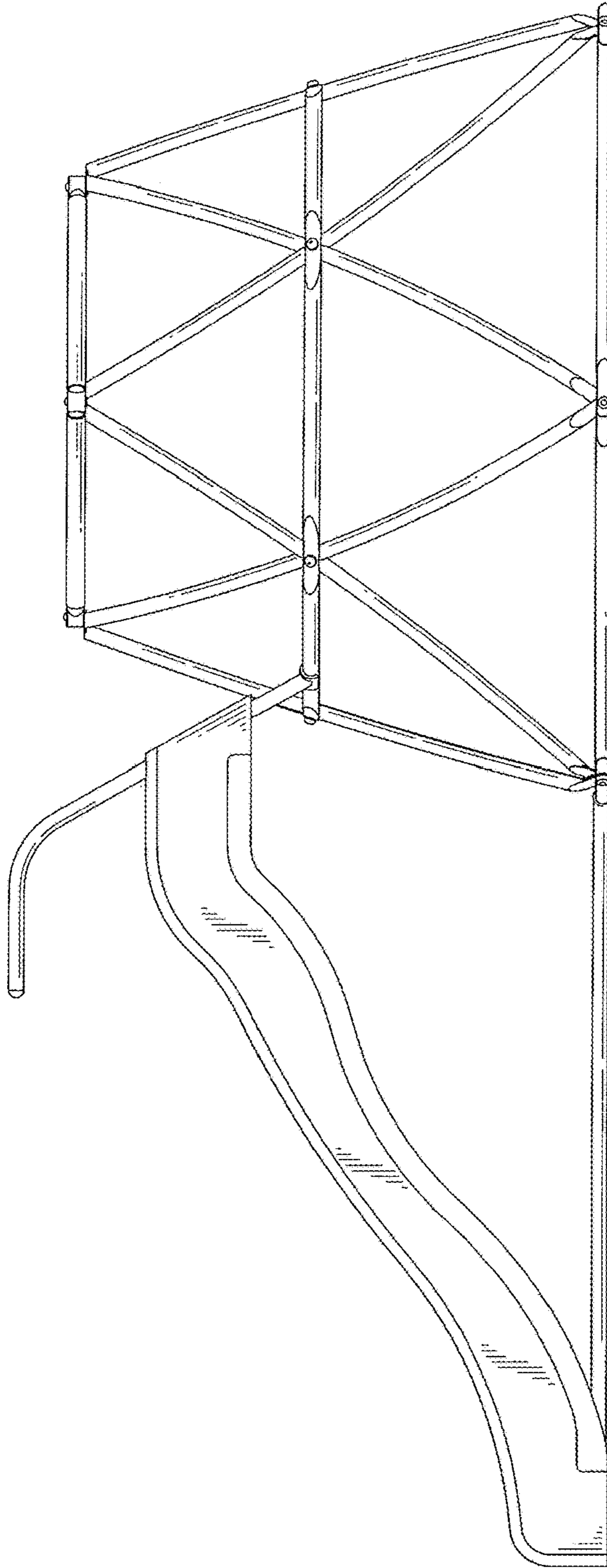


FIG. 5

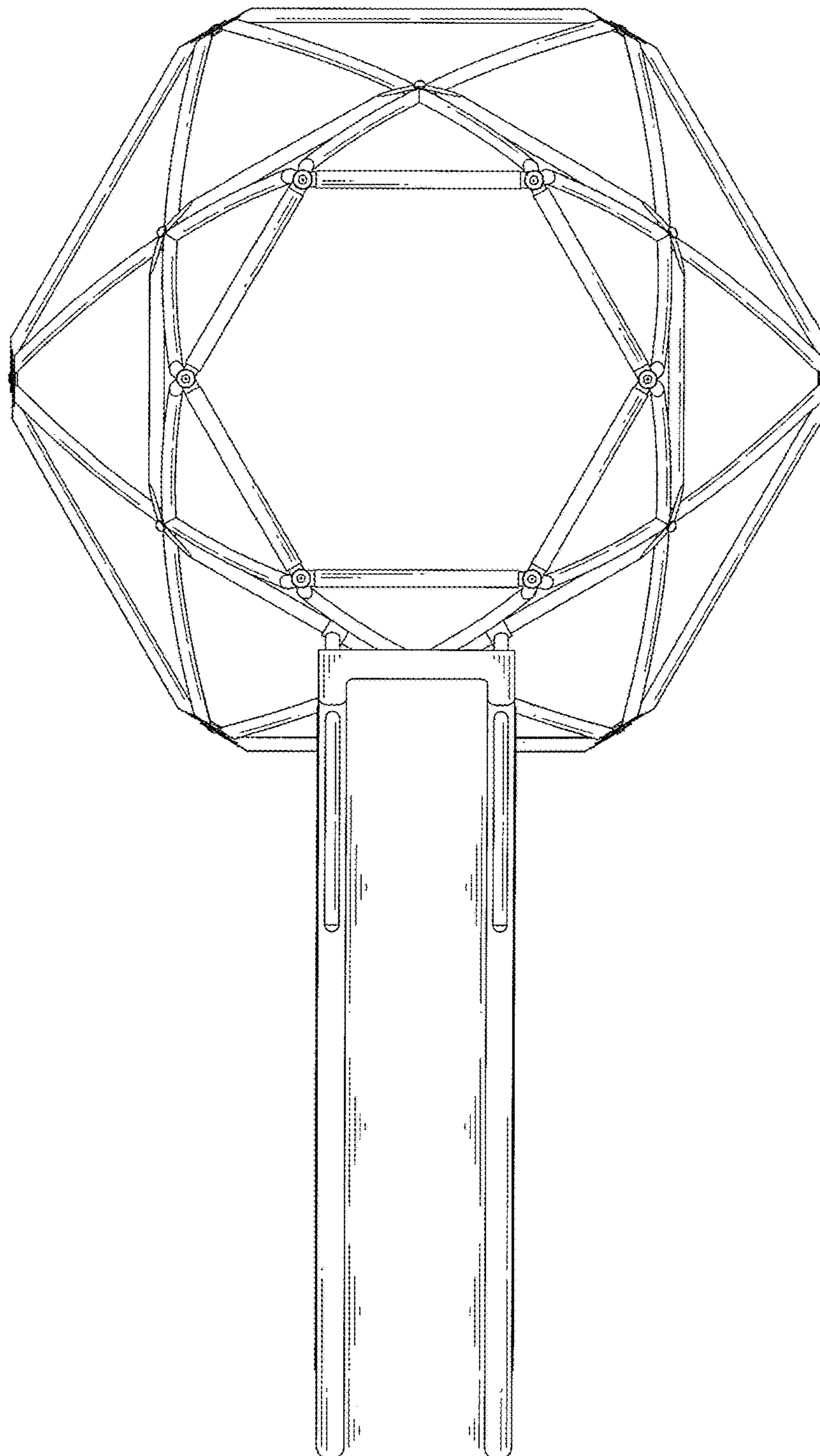


FIG. 6

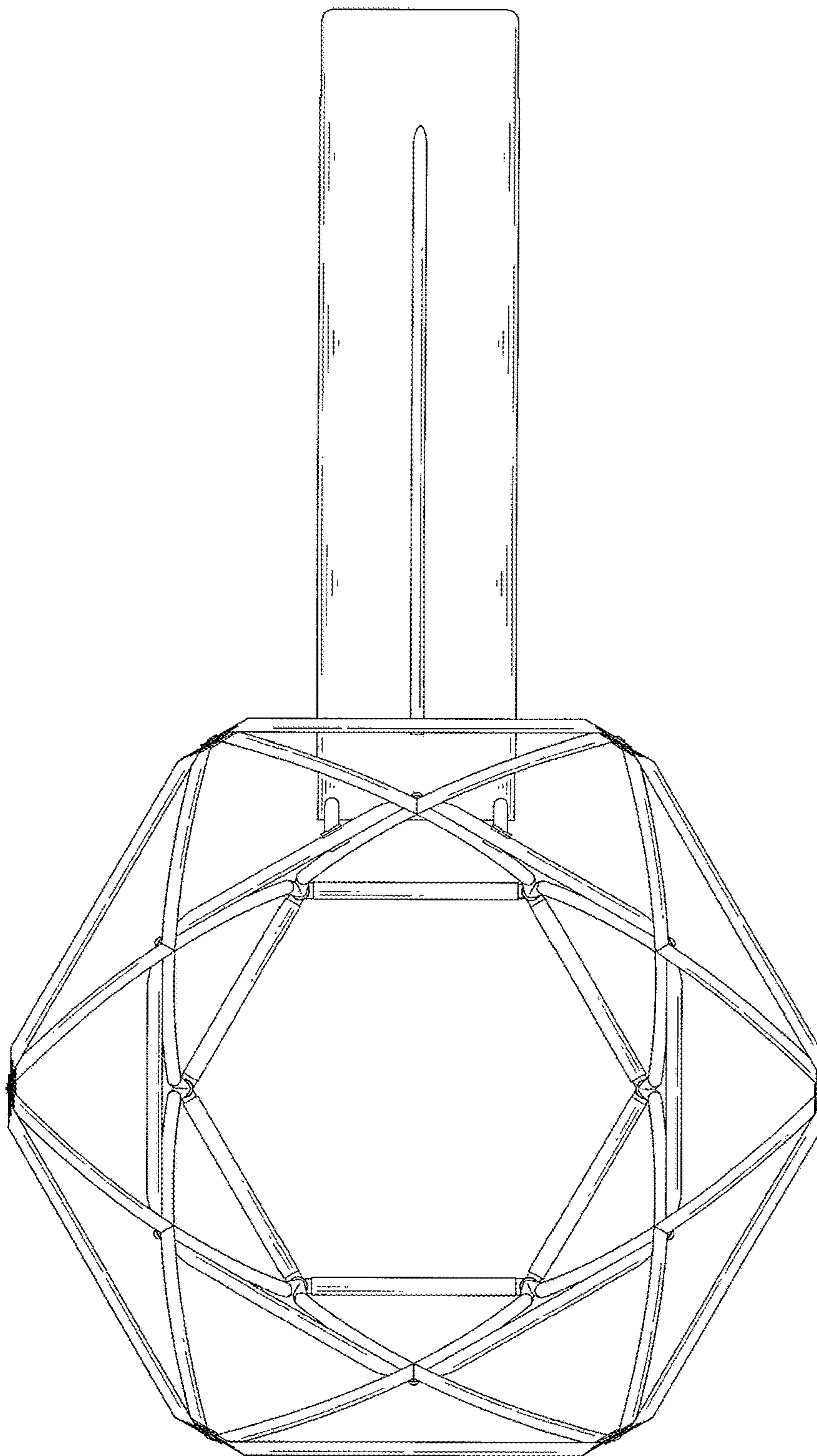


FIG. 7

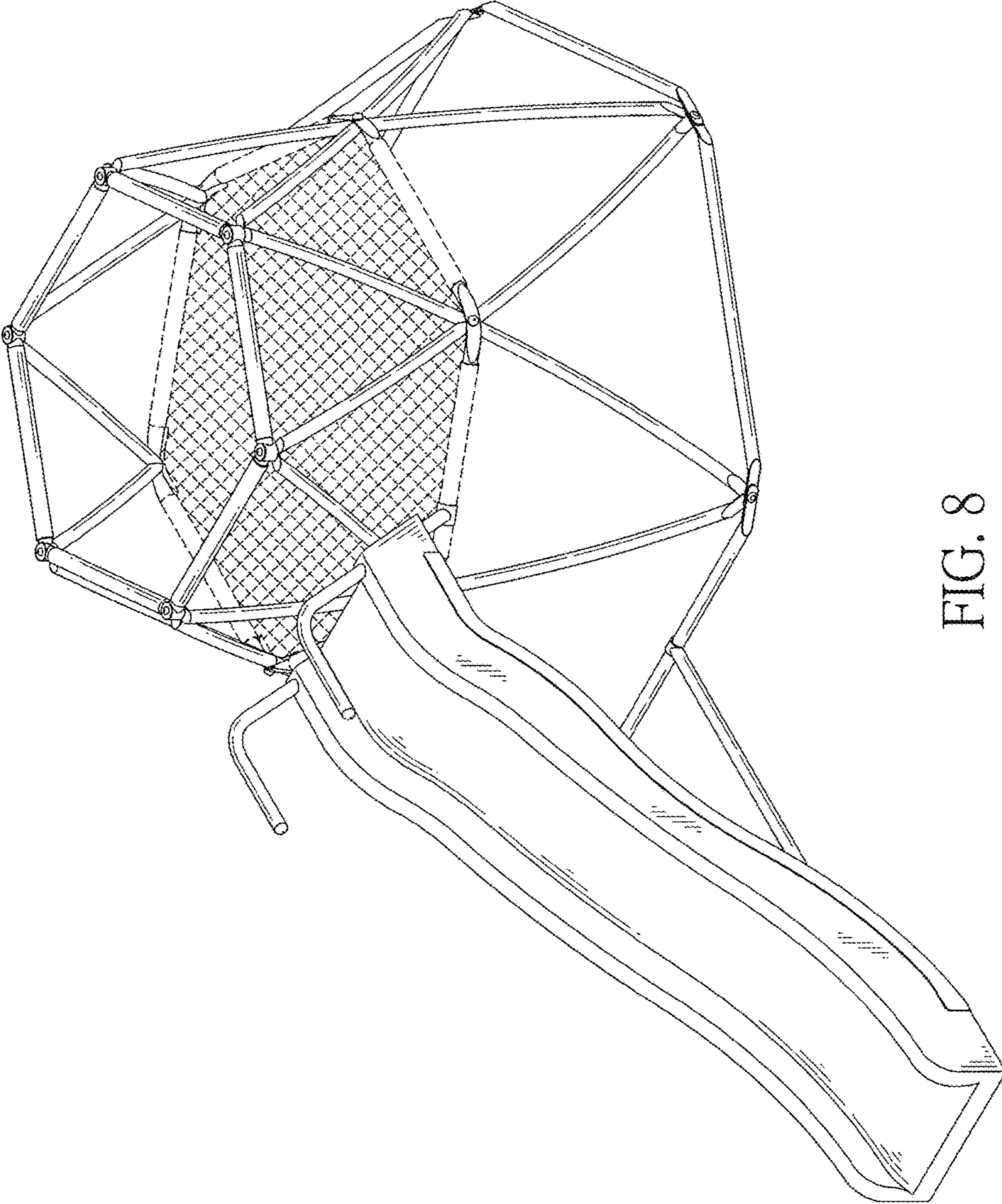


FIG. 8