



US00D844730S

(12) **United States Design Patent** (10) **Patent No.:** **US D844,730 S**
Fischer et al. (45) **Date of Patent:** **** *Apr. 2, 2019**

(54) **HEXAGONAL TRAMPOLINE FRAME WITH BRACKET**

(71) Applicant: **Bellicon AG**, Lucerne (CH)

(72) Inventors: **Stefanie Fischer**, Stuttgart (DE);
Martin Birzele, Rudersberg (DE)

(73) Assignee: **Bellicon AG**, Lucerne (CH)

(*) Notice: This patent is subject to a terminal disclaimer.

(**) Term: **15 Years**

(21) Appl. No.: **29/594,405**

(22) Filed: **Feb. 17, 2017**

(51) **LOC (11) Cl.** **21-02**

(52) **U.S. Cl.**

USPC **D21/797**

(58) **Field of Classification Search**

USPC 135/96, 97, 117, 121; 182/139, 224;
446/220; 463/7; 473/469, 482; 482/28,
482/77, 147, 148, 27, 29, 36; D21/668,
D21/669, 797, 826, 834, 836, 839;
D25/1, 22, 61, 66, 68, 43, 38.1;
D30/112, 119; D6/329, 702; 160/135;
D8/14, 74, 303, 308, 309; D23/266
(Continued)

(56) **References Cited**

U.S. PATENT DOCUMENTS

2,854,293 A 9/1958 Riblet
3,004,542 A * 10/1961 Moody E04B 1/34326
135/97

(Continued)

FOREIGN PATENT DOCUMENTS

CN 204543368 U 8/2015

OTHER PUBLICATIONS

Bellicon, "Bellicon Jumping Fitness", Nov. 18, 2017. https://www.bellicon.com/us_en/shop/introducing-the-bellicon. Shown on p. 1. (Year: 2017).*

(Continued)

Primary Examiner — Cynthia Ramirez

Assistant Examiner — Michael A Maharajh

(74) *Attorney, Agent, or Firm* — Fay Sharpe LLP

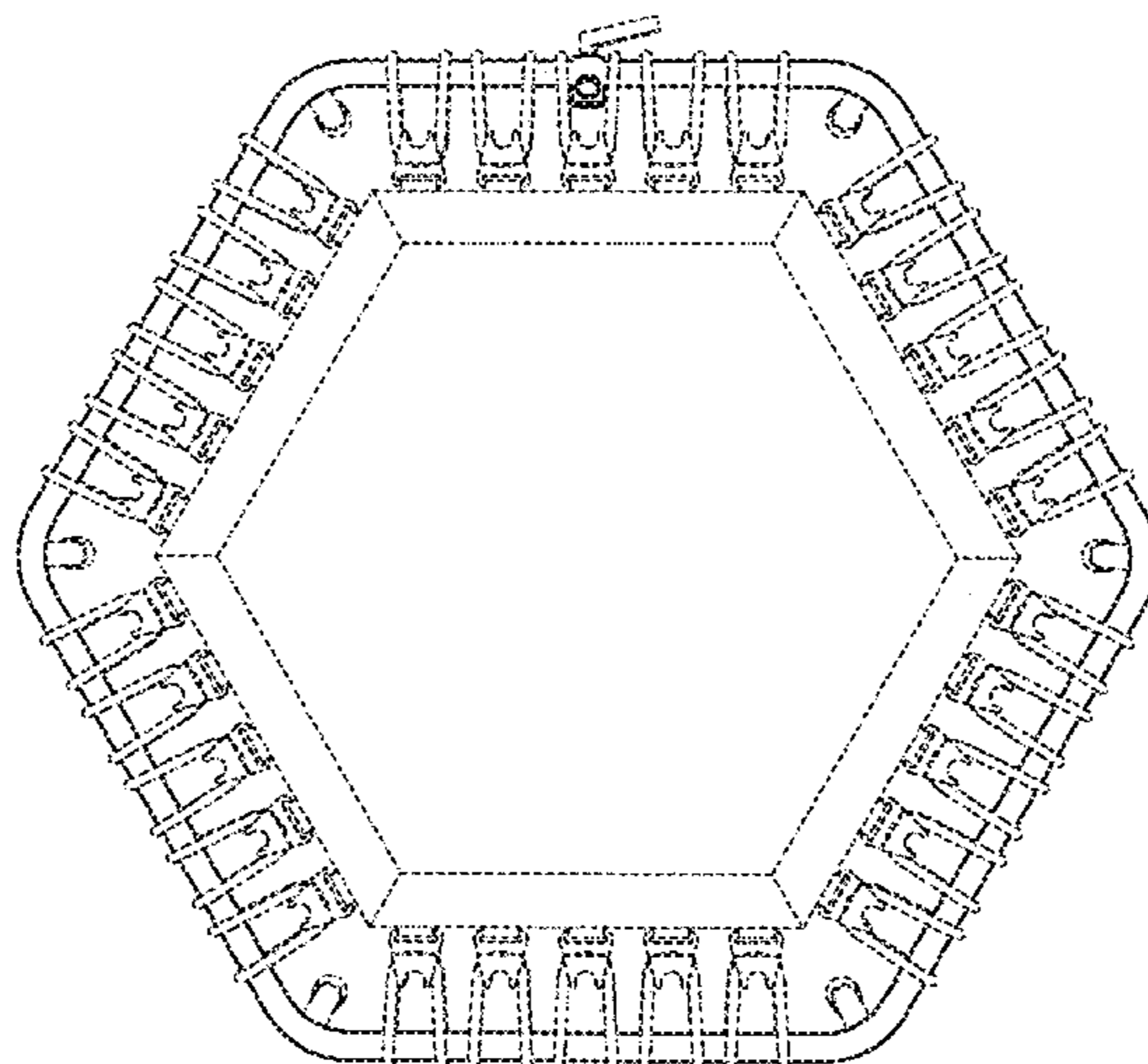
(57) **CLAIM**

The ornamental design for a hexagonal trampoline frame with bracket, as shown and described.

DESCRIPTION

FIG. 1 is a view from above of a hexagonal trampoline frame with bracket of a first embodiment showing our new design; FIG. 2 is an enlarged broken away top view of a portion thereof taken from above the bracket; FIG. 3 is a perspective view of the portion shown in FIG. 2; FIG. 4 is a side elevational view of the portion shown in FIG. 2; FIG. 5 is a top perspective view thereof; FIG. 6 is a view from above of a hexagonal trampoline frame with bracket of a second embodiment showing our new design; FIG. 7 is an enlarged broken away top view of a portion thereof taken from above the bracket; FIG. 8 is a perspective view of the portion shown in FIG. 6; FIG. 9 is a side elevational view of the portion shown in FIG. 6; and, FIG. 10 is a top perspective view thereof. The broken lines in the figures are for the purpose of illustrating portions of the hexagonal trampoline frame with bracket which form no part of the claimed design.

1 Claim, 10 Drawing Sheets



(58) **Field of Classification Search**
 CPC A63B 5/11; A63B 71/023; A63B 21/026;
 A63B 9/00; F16B 7/182; F16L 41/021
 See application file for complete search history.

(56) **References Cited**

U.S. PATENT DOCUMENTS

3,195,938	A	7/1965	Rifken	
3,767,192	A *	10/1973	Eriksson	A63B 5/11 182/139
6,001,045	A *	12/1999	Gift	A63B 5/11 482/28
6,036,620	A	3/2000	Yang	
6,110,074	A	8/2000	Tacquet	
6,129,649	A	10/2000	Yang	
D464,392	S *	10/2002	Choi	D21/839
7,658,697	B1 *	2/2010	Hsiang	A63B 5/11 482/27
D666,266	S	8/2012	Publicover et al.	
8,316,508	B2 *	11/2012	Lapping	E04H 15/18 135/121
D697,988	S *	1/2014	Januszek	D21/797
D758,515	S	6/2016	Tsai	
D777,279	S	1/2017	de Boer	

D777,280	S	1/2017	de Boer	
D777,865	S	1/2017	de Boer	
D788,241	S	5/2017	Ho et al.	
D788,243	S	5/2017	Bisang et al.	
D788,868	S	6/2017	Bisang et al.	
D791,260	S	7/2017	Ho et al.	
D794,151	S *	8/2017	Ji	D21/797
2004/0176214	A1	9/2004	Yueh	
2006/0194674	A1 *	8/2006	Hickey	A63B 5/11 482/27
2008/0009394	A1	1/2008	VanElverdinghe et al.	
2015/0335932	A1 *	11/2015	Chen	A63B 9/00 482/36
2016/0045775	A1 *	2/2016	Zhou	A63B 5/11 482/27
2016/0076688	A1 *	3/2016	Chan	F16L 41/021 285/133.11
2016/0096056	A1	4/2016	de Boer	
2017/0232288	A1	8/2017	Ho et al.	

OTHER PUBLICATIONS

International Search Report of International Application No. PCT/EP2016/073434 dated Dec. 12, 2016 (3 pages).

* cited by examiner

FIG. 1

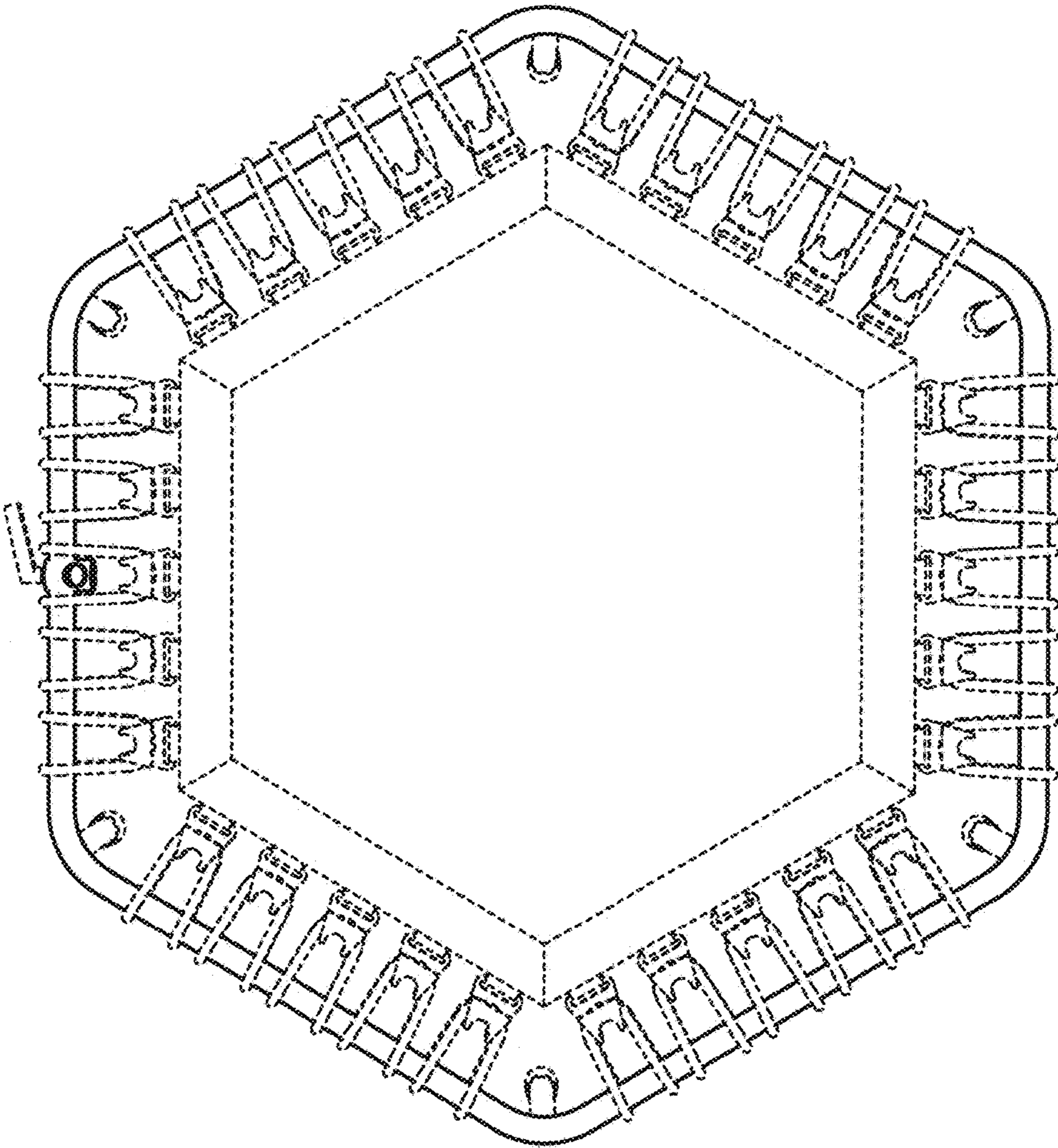
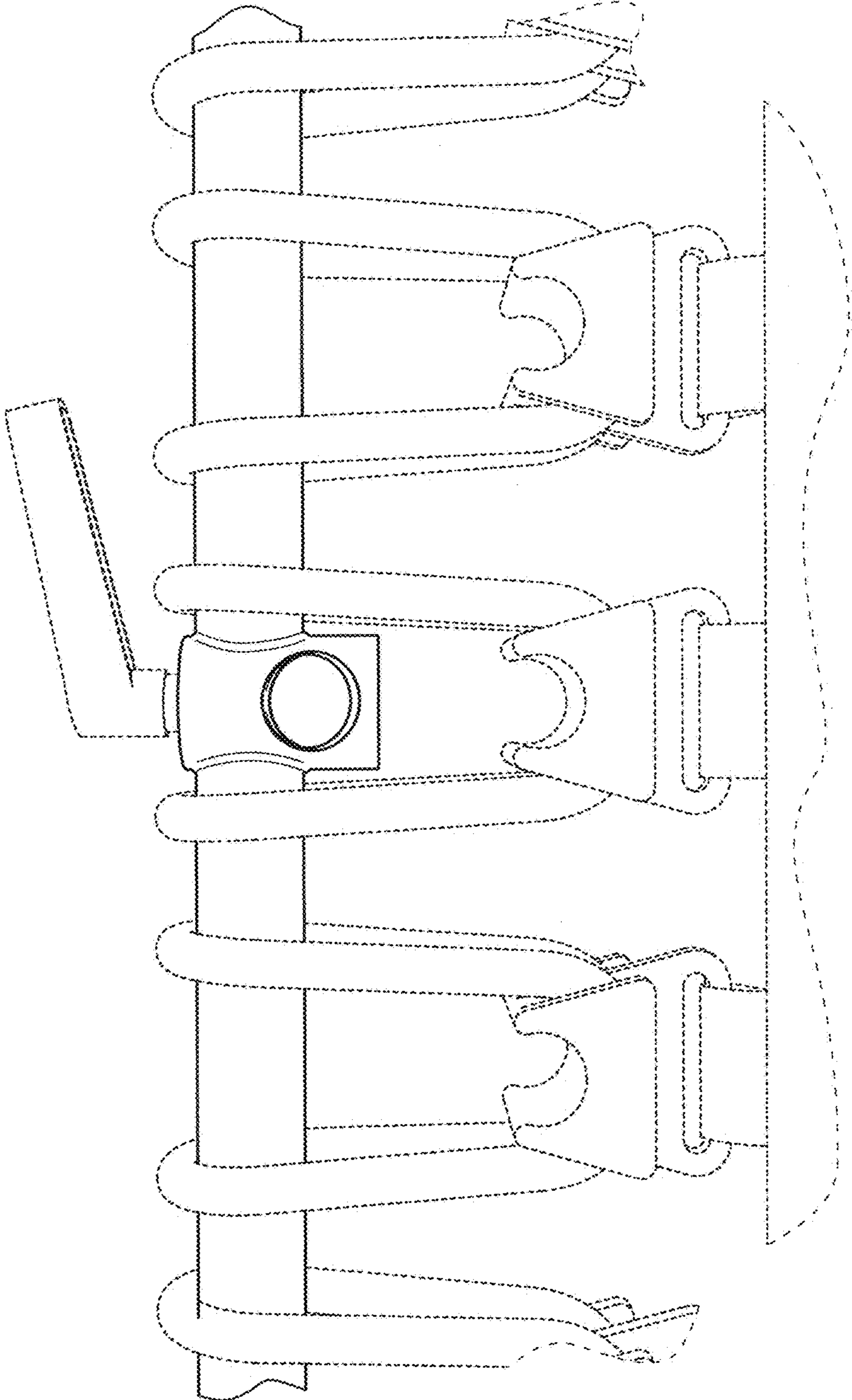


FIG. 2



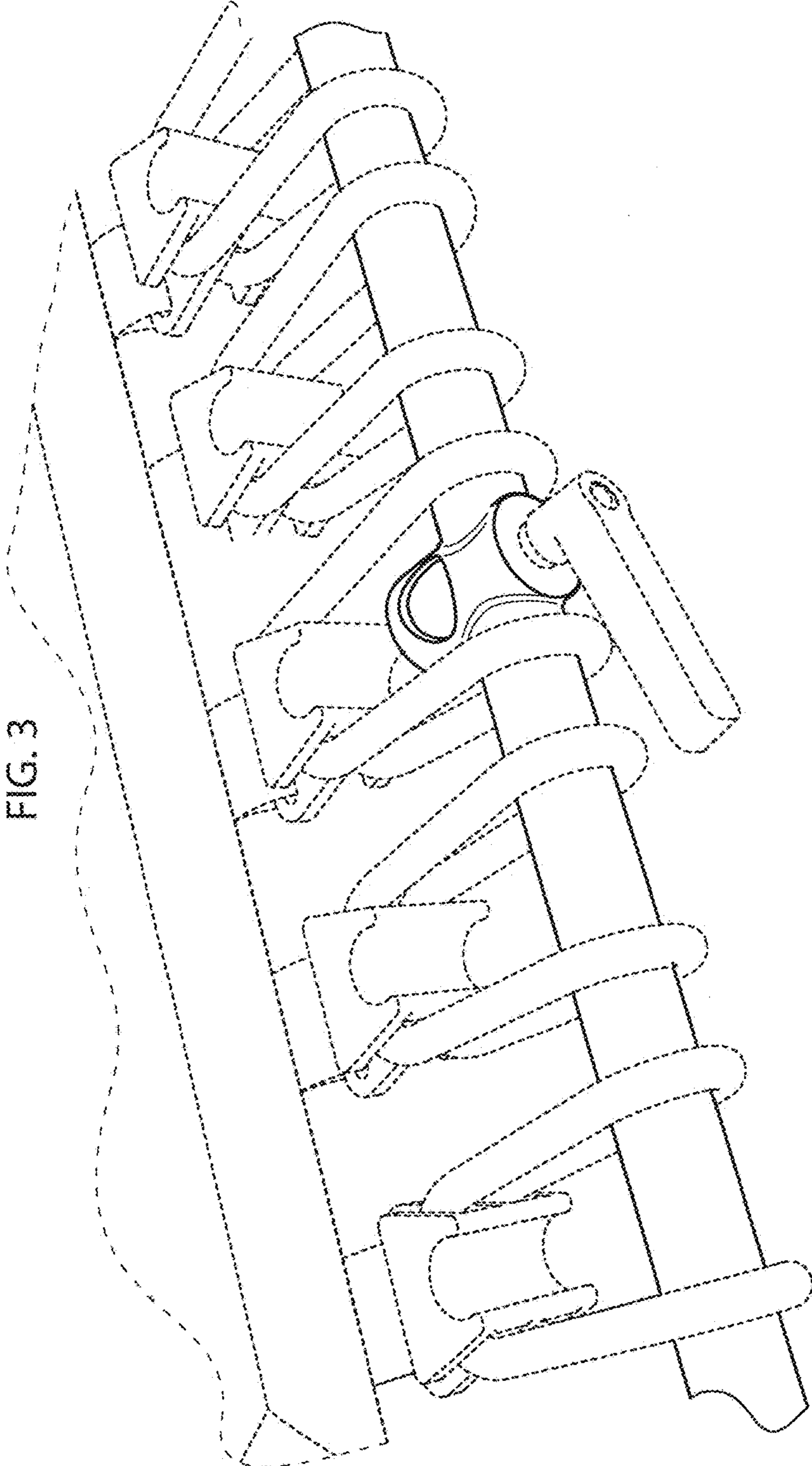
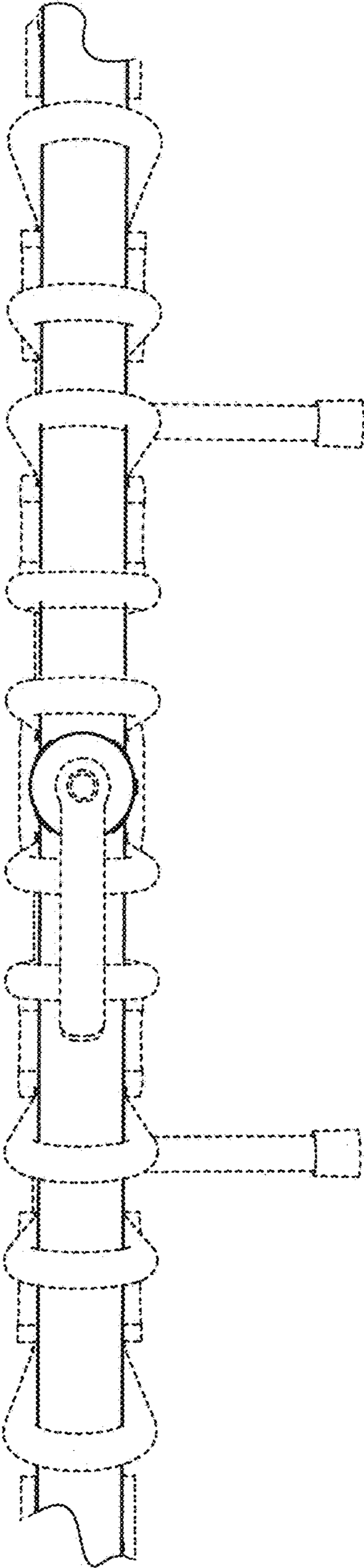


FIG. 4



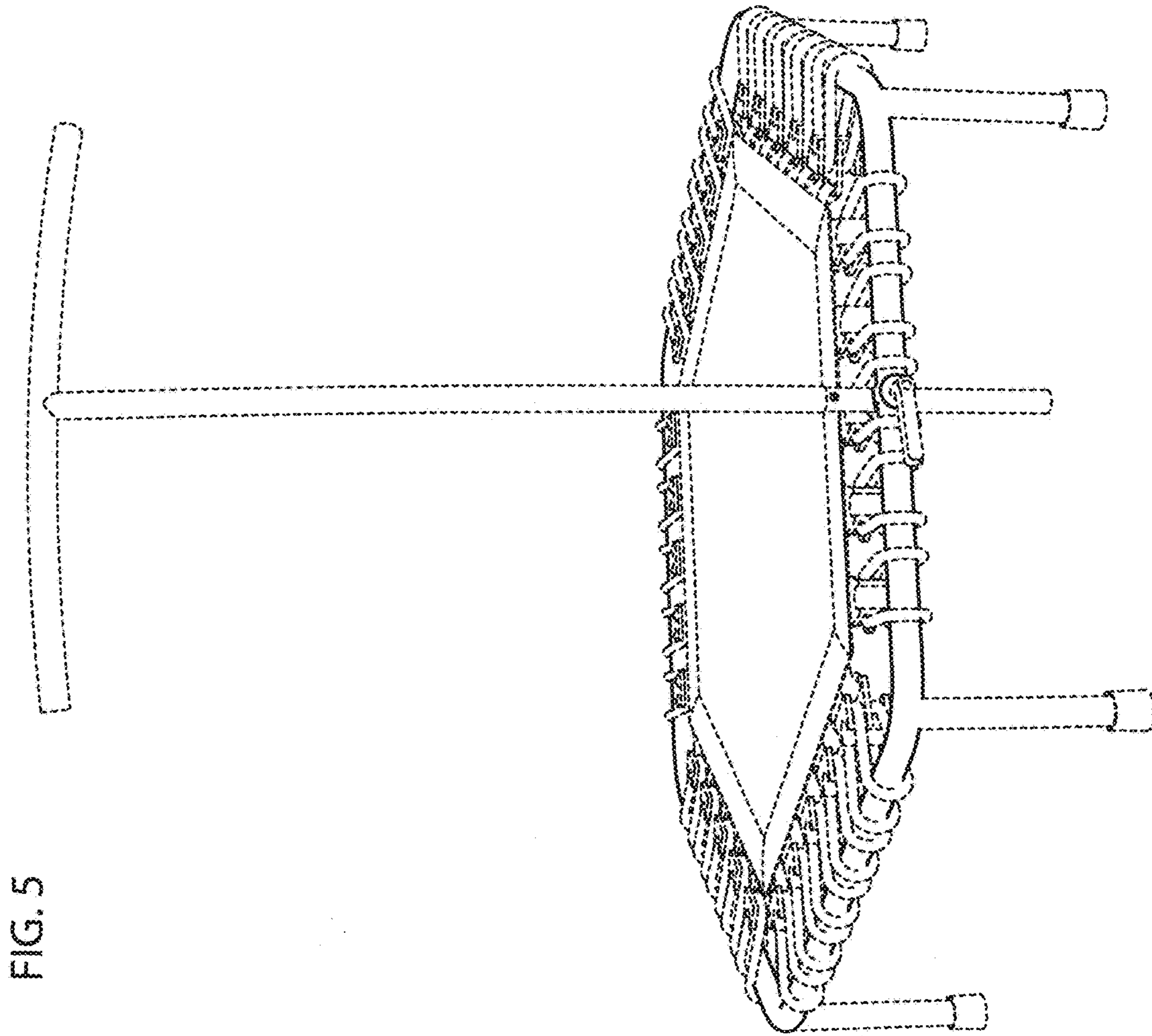


FIG. 6

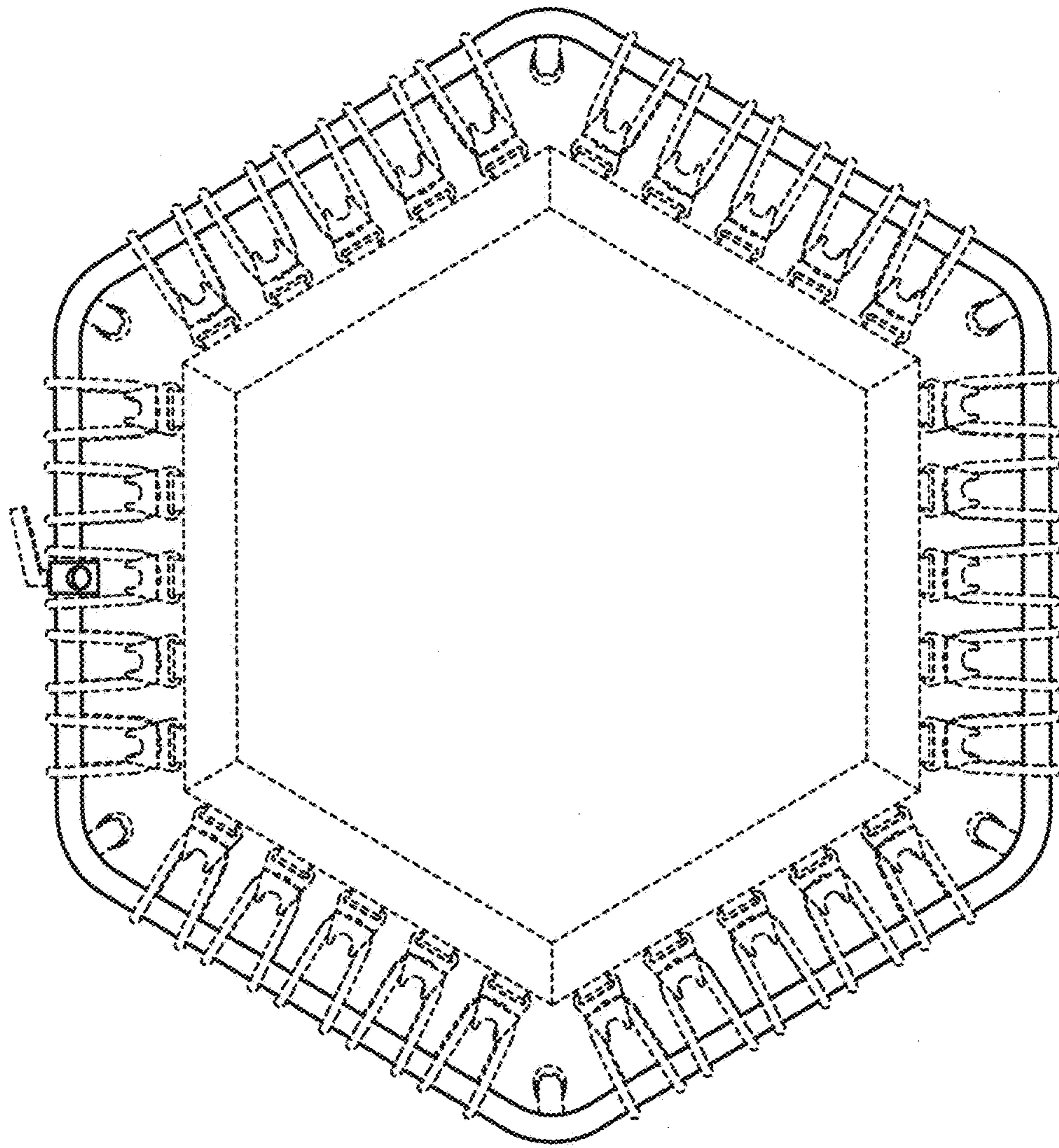
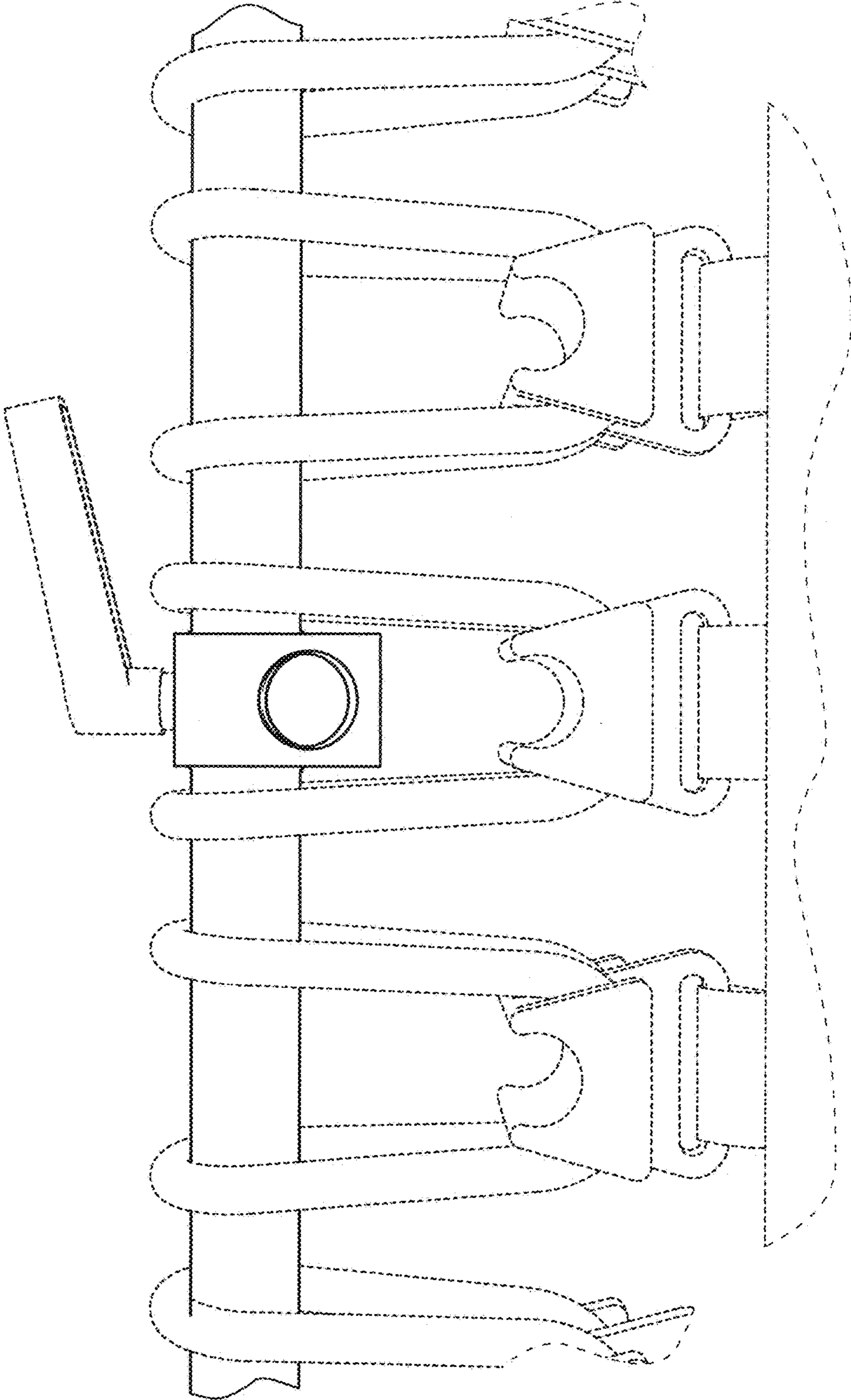


FIG. 7



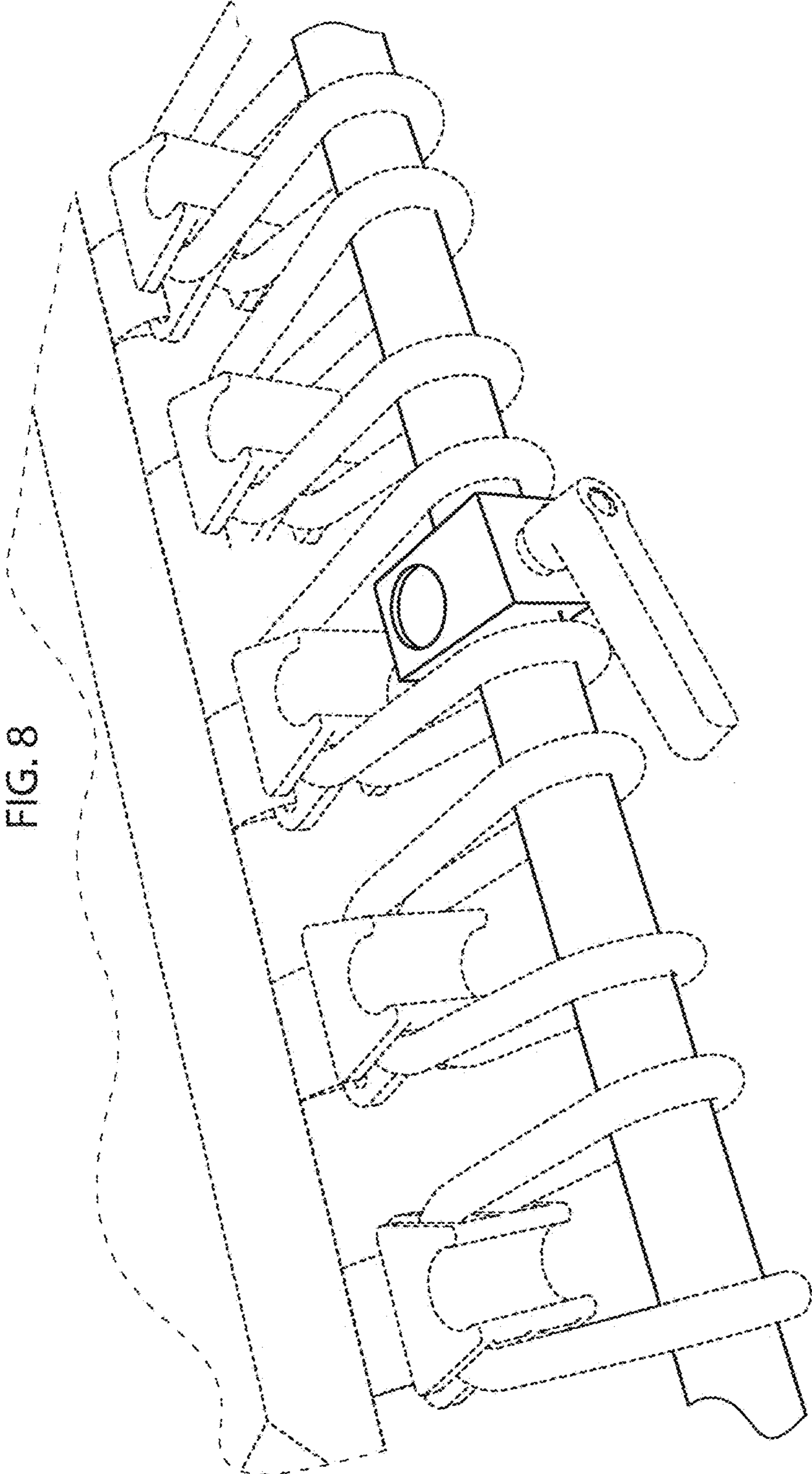
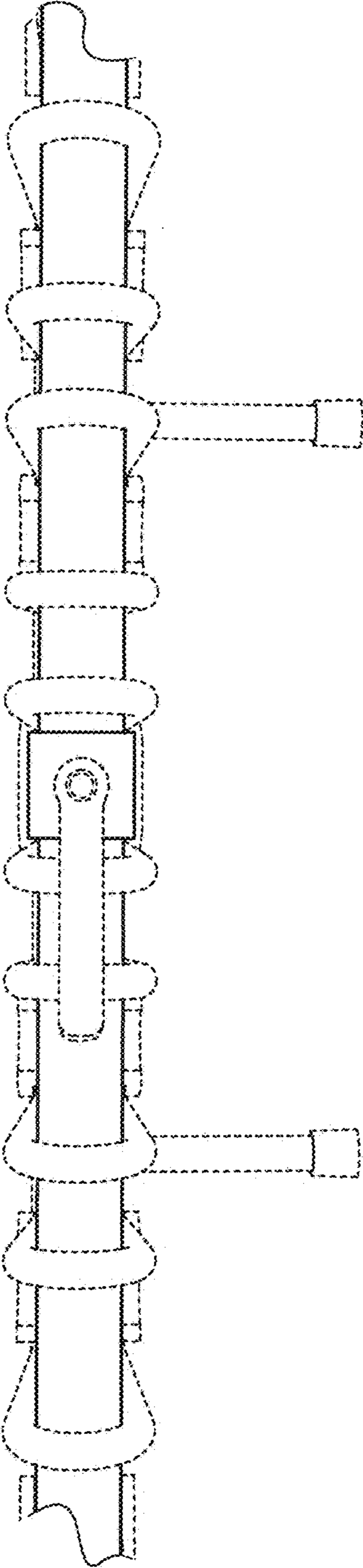


FIG. 9



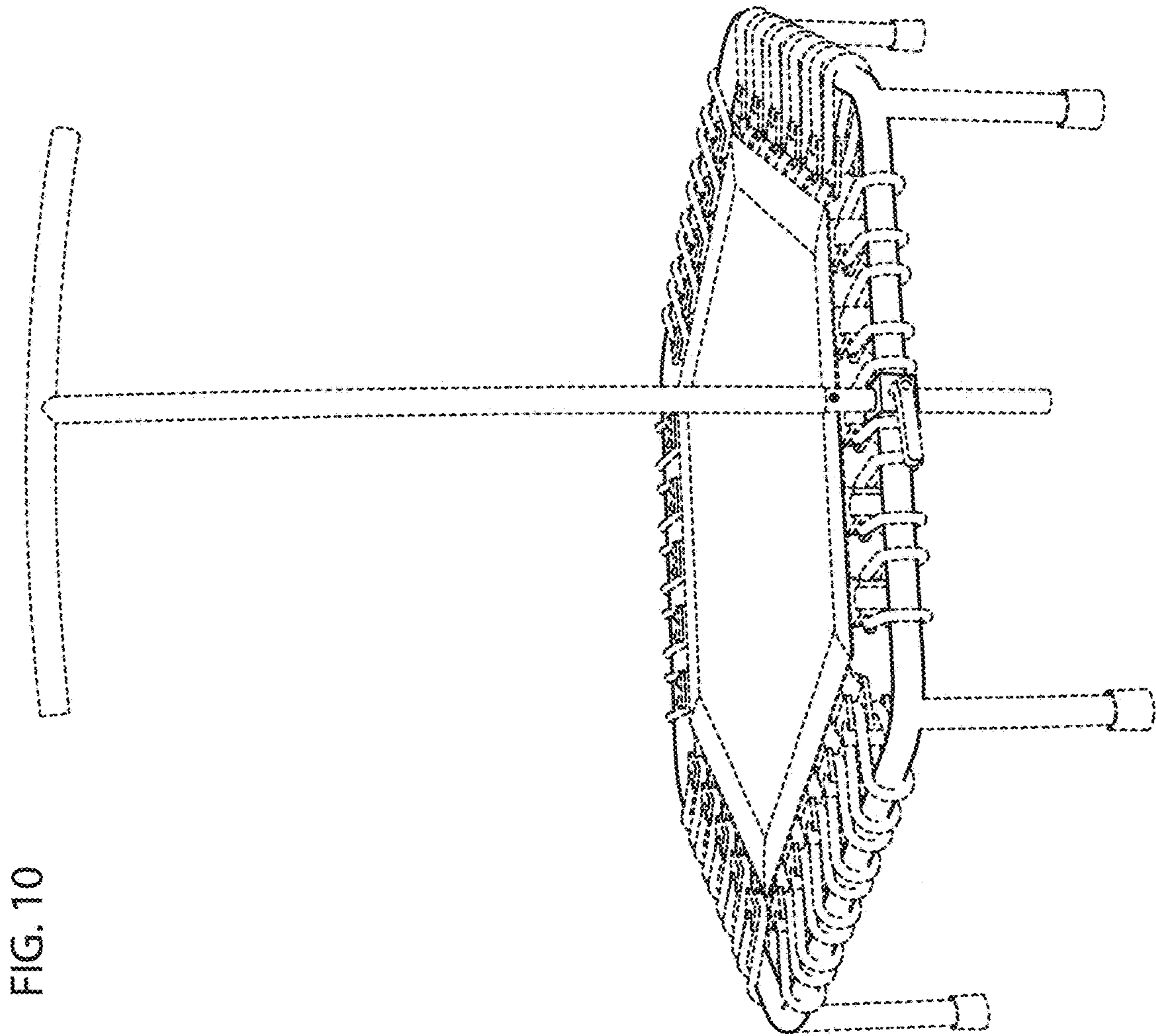


FIG. 10