



US00D844729S

(12) **United States Design Patent** (10) **Patent No.:** **US D844,729 S**  
**Fischer et al.** (45) **Date of Patent:** **\*\* \*Apr. 2, 2019**

(54) **ROUND TRAMPOLINE FRAME WITH BRACKET**

(71) Applicant: **Bellicon AG**, Lucerne (CH)

(72) Inventors: **Stefanie Fischer**, Stuttgart (DE);  
**Martin Birzele**, Rudersberg (DE)

(73) Assignee: **Bellicon AG**, Lucerne (CH)

(\*) Notice: This patent is subject to a terminal disclaimer.

(\*\*) Term: **15 Years**

(21) Appl. No.: **29/594,396**

(22) Filed: **Feb. 17, 2017**

(51) **LOC (11) Cl.** ..... **21-02**

(52) **U.S. Cl.**

USPC ..... **D21/797**

(58) **Field of Classification Search**

USPC ..... 135/96, 97, 117, 121; 182/139, 224;  
446/220; 463/7; 473/469, 482; 482/28,  
482/77, 147, 148, 27, 29, 36; D21/668,  
D21/669, 797, 826, 834, 836, 839;  
D25/1, 22, 61, 66, 68, 43, 38.1;  
D30/112, 119; D6/329, 702; 160/135;  
D8/14, 74, 303, 308, 309; D23/266  
(Continued)

(56) **References Cited**

**U.S. PATENT DOCUMENTS**

2,854,293 A 9/1958 Riblet  
3,004,542 A 10/1961 Moody  
(Continued)

**FOREIGN PATENT DOCUMENTS**

CN 204543368 U 8/2015  
WO WO 2017/032907 A1 3/2017

**OTHER PUBLICATIONS**

Bellicon, "Bellicon Jumping Fitness", Nov. 18, 2017. [https://www.bellicon.com/us\\_en/shop/introducing-the-bellicon](https://www.bellicon.com/us_en/shop/introducing-the-bellicon). Shown on p. 1. (Year: 2017).\*

(Continued)

*Primary Examiner* — Cynthia Ramirez

*Assistant Examiner* — Michael A Maharajh

(74) *Attorney, Agent, or Firm* — Fay Sharpe LLP

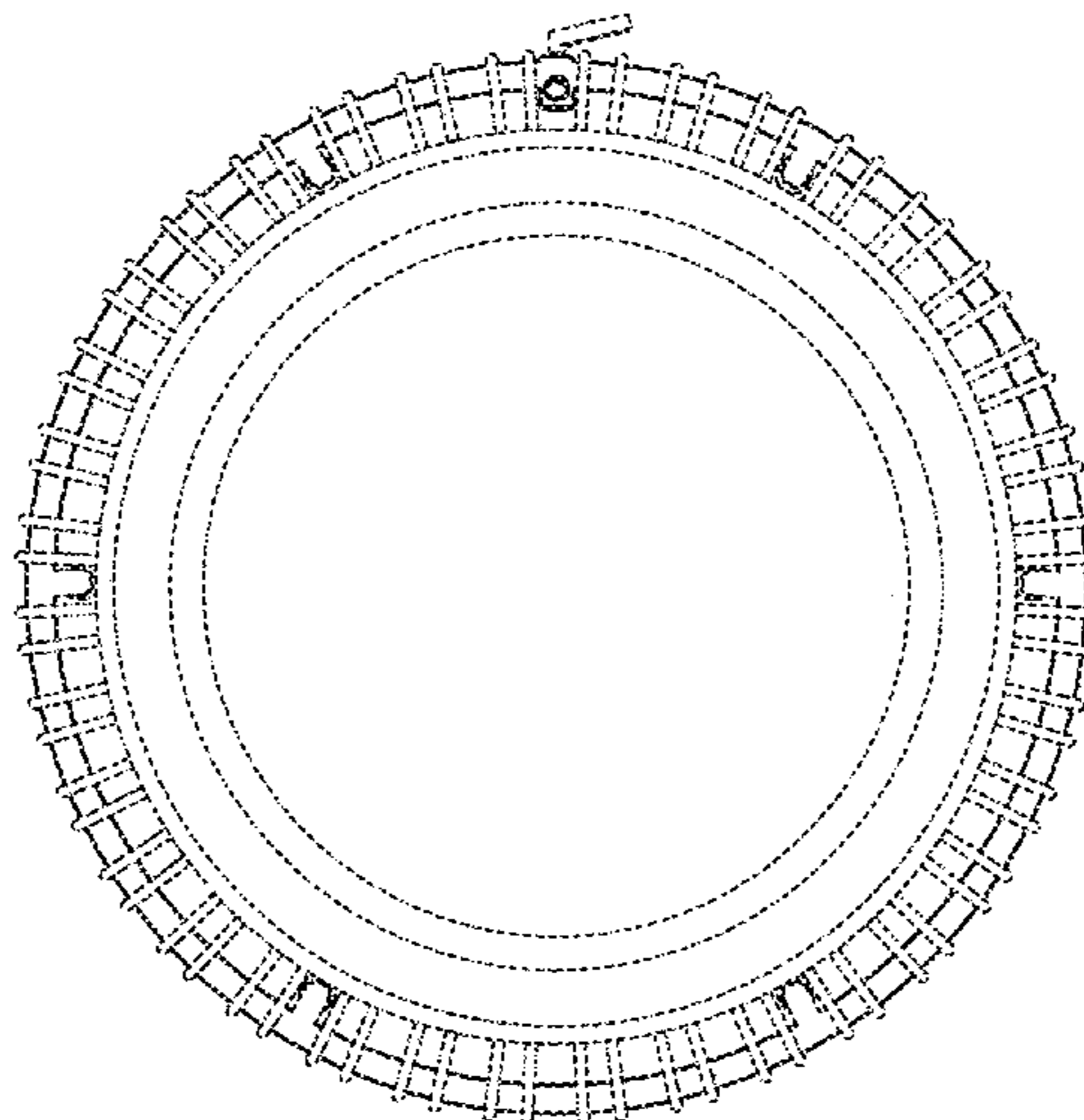
(57) **CLAIM**

The ornamental design for a round trampoline frame with bracket, as shown and described.

**DESCRIPTION**

FIG. 1 is a view from above of a round trampoline frame with bracket of a first embodiment showing our new design; FIG. 2 is an enlarged partially broken away top view thereof from above the bracket; FIG. 3 is a perspective view of the portion shown in FIG. 2; FIG. 4 is a side elevational view of the portion shown in FIG. 2; FIG. 5 is a top perspective view thereof; FIG. 6 is a view from above of a round trampoline frame with bracket of a second embodiment showing our new design; FIG. 7 is an enlarged broken away top view of thereof from above the bracket; FIG. 8 is a perspective view of the portion shown in FIG. 7; FIG. 9 is a side elevational view of the portion shown in FIG. 7; and, FIG. 10 is a top perspective view thereof. The broken lines in the figures are for the purpose of illustrating portions of the round trampoline frame with bracket which form no part of the claimed design.

**1 Claim, 10 Drawing Sheets**



(58) **Field of Classification Search**  
 CPC ..... A63B 5/11; A63B 71/023; A63B 21/026;  
 A63B 9/00; F16B 7/182; F16L 41/021  
 See application file for complete search history.

(56) **References Cited**

U.S. PATENT DOCUMENTS

3,195,938	A	7/1965	Rifken	
3,767,192	A	10/1973	Eriksson	
6,001,045	A	12/1999	Gift et al.	
6,036,620	A *	3/2000	Yang	A63B 5/11 482/27
6,110,074	A *	8/2000	Tacquet	A63B 5/11 482/27
6,129,649	A *	10/2000	Yang	A63B 5/11 482/27
D464,392	S	10/2002	Choi	
7,658,697	B1	2/2010	Hsiang	
D666,266	S *	8/2012	Publicover	D21/797
8,316,508	B2	11/2012	Lapping	
D697,988	S	1/2014	Januszek	
D758,515	S *	6/2016	Tsai	D21/797
D777,279	S *	1/2017	de Boer	D21/797

D777,280	S *	1/2017	de Boer	D21/797
D777,865	S *	1/2017	de Boer	D21/797
D788,241	S *	5/2017	Ho	D21/797
D788,243	S *	5/2017	Bisang	D21/797
D788,868	S *	6/2017	Bisang	D21/797
D791,260	S *	7/2017	Ho	D21/797
D794,151	S	8/2017	Ji	
2004/0176214	A1 *	9/2004	Yueh	A63B 5/11 482/27
2006/0194674	A1	8/2006	Hickey	
2008/0009394	A1	1/2008	VanElverdinghe et al.	
2015/0335932	A1	11/2015	Chen	
2016/0045775	A1	2/2016	Zhou	
2016/0076688	A1	3/2016	Chan	
2016/0096056	A1 *	4/2016	de Boer	A63B 5/11 482/27
2017/0232288	A1 *	8/2017	Ho	A63B 5/11 482/28

OTHER PUBLICATIONS

International Search Report of International Application No. PCT/EP2016/073434 dated Dec. 12, 2016 (3 pages).

\* cited by examiner

FIG. 1

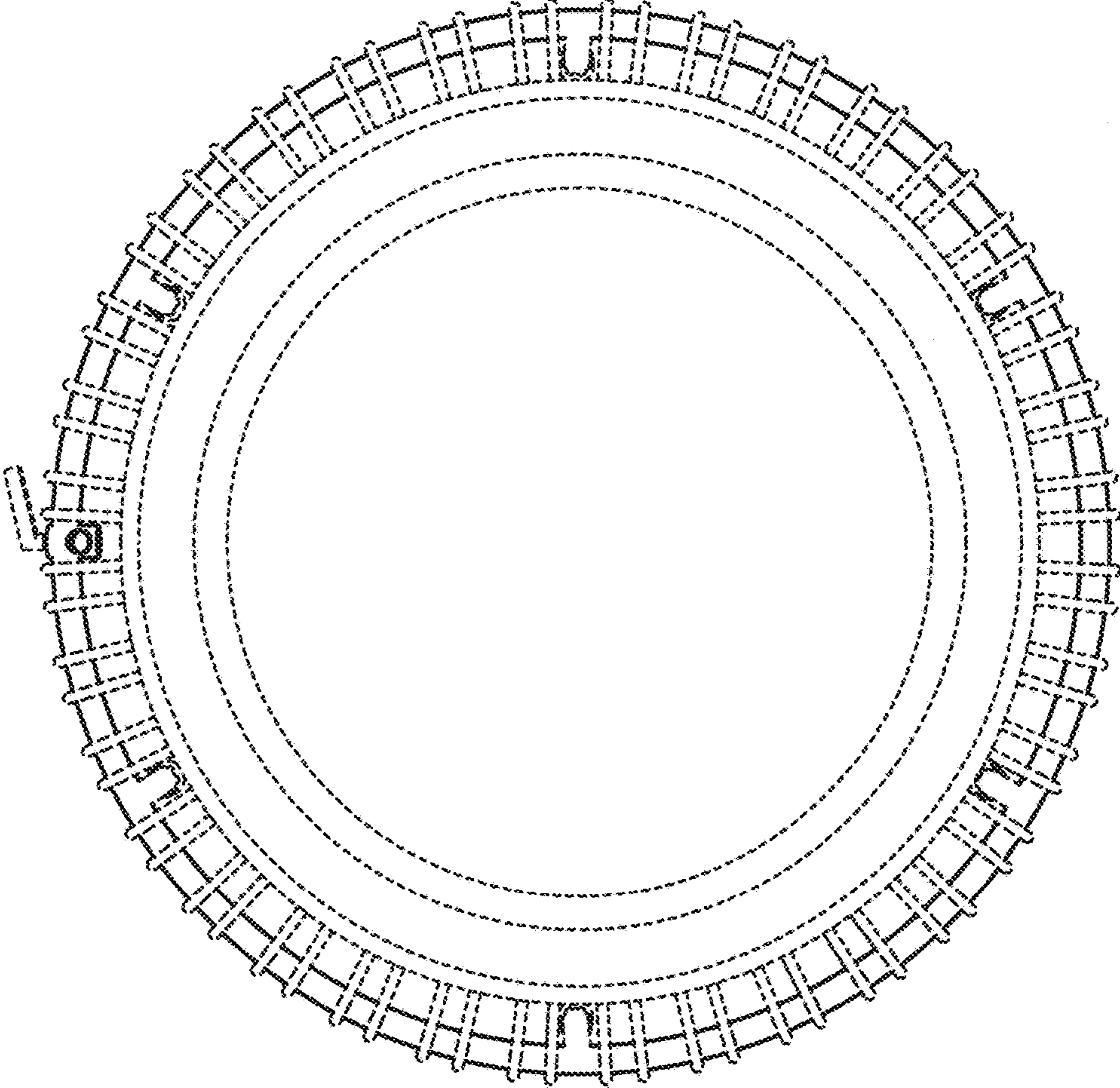
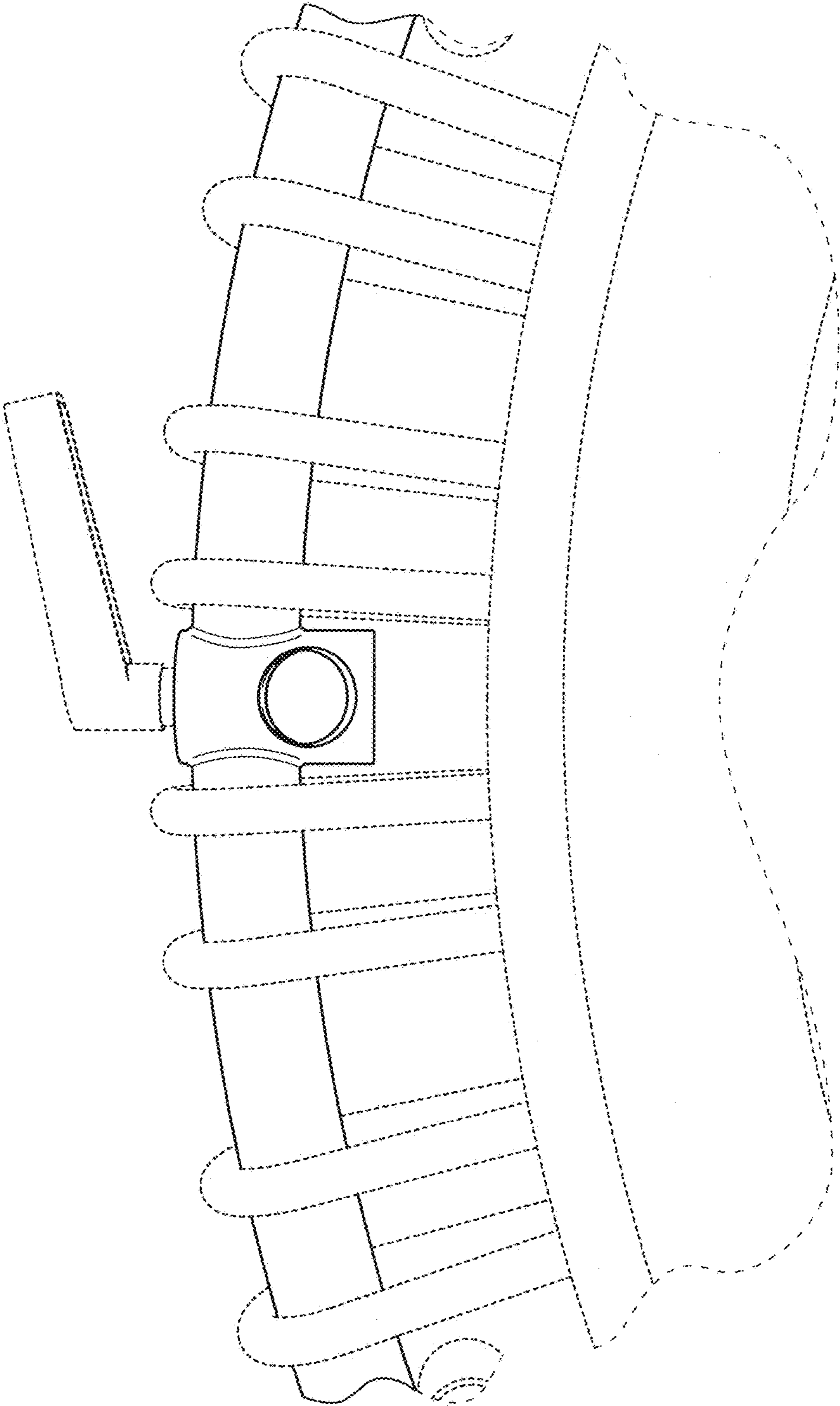


FIG. 2



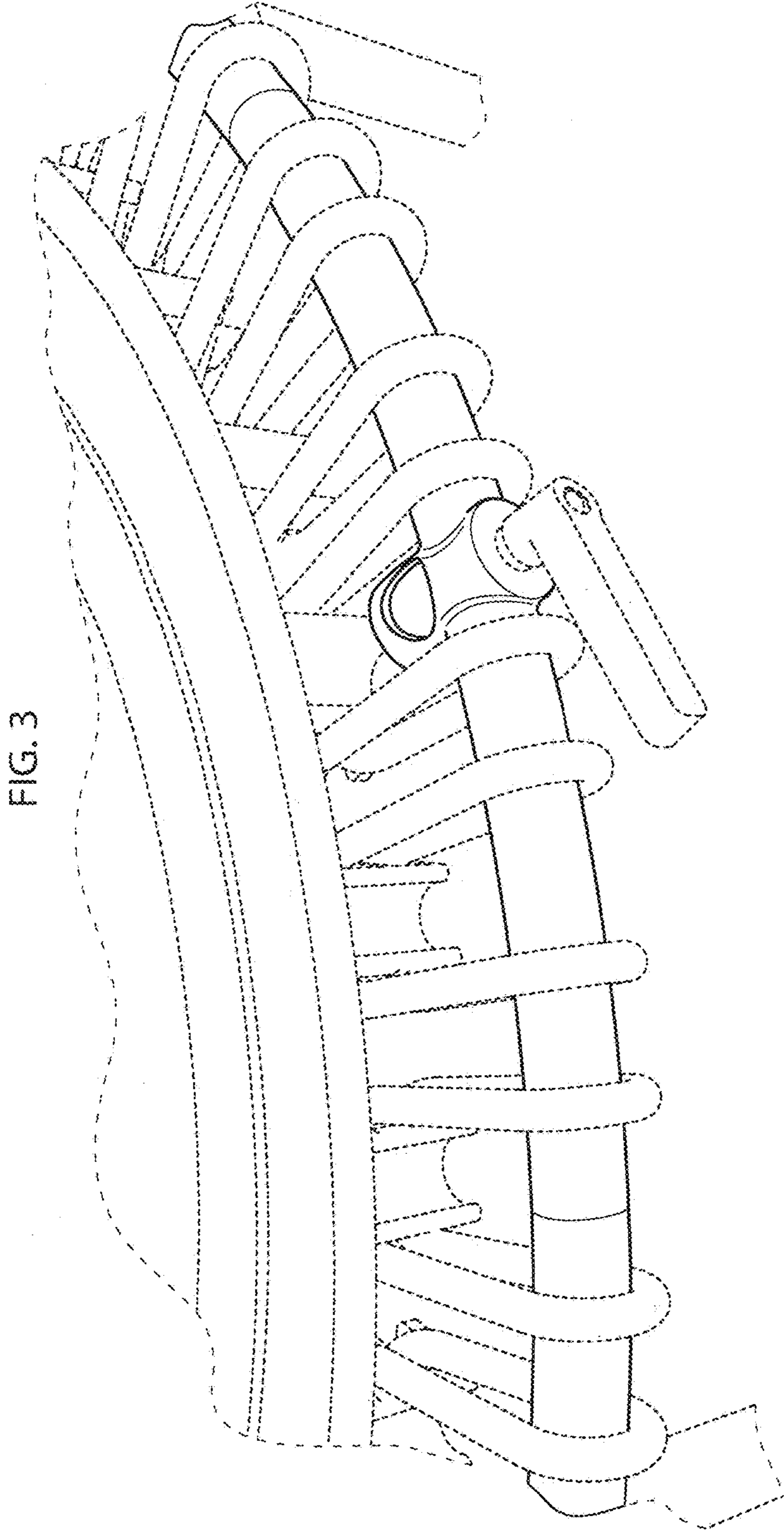
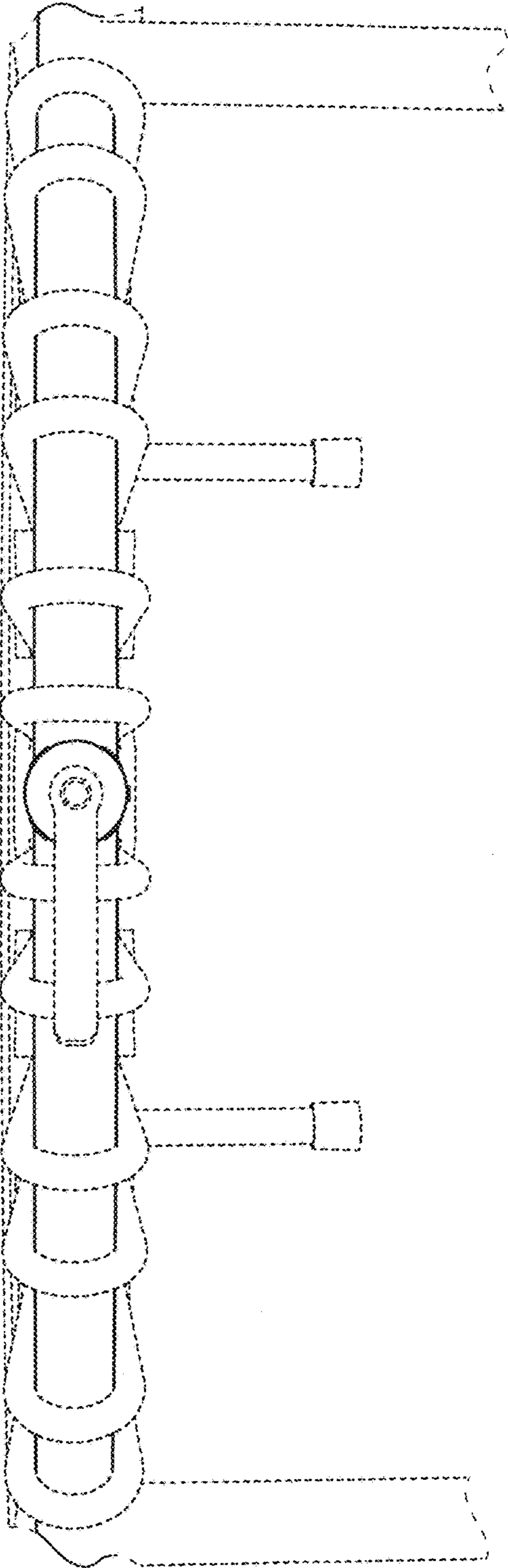


FIG. 4



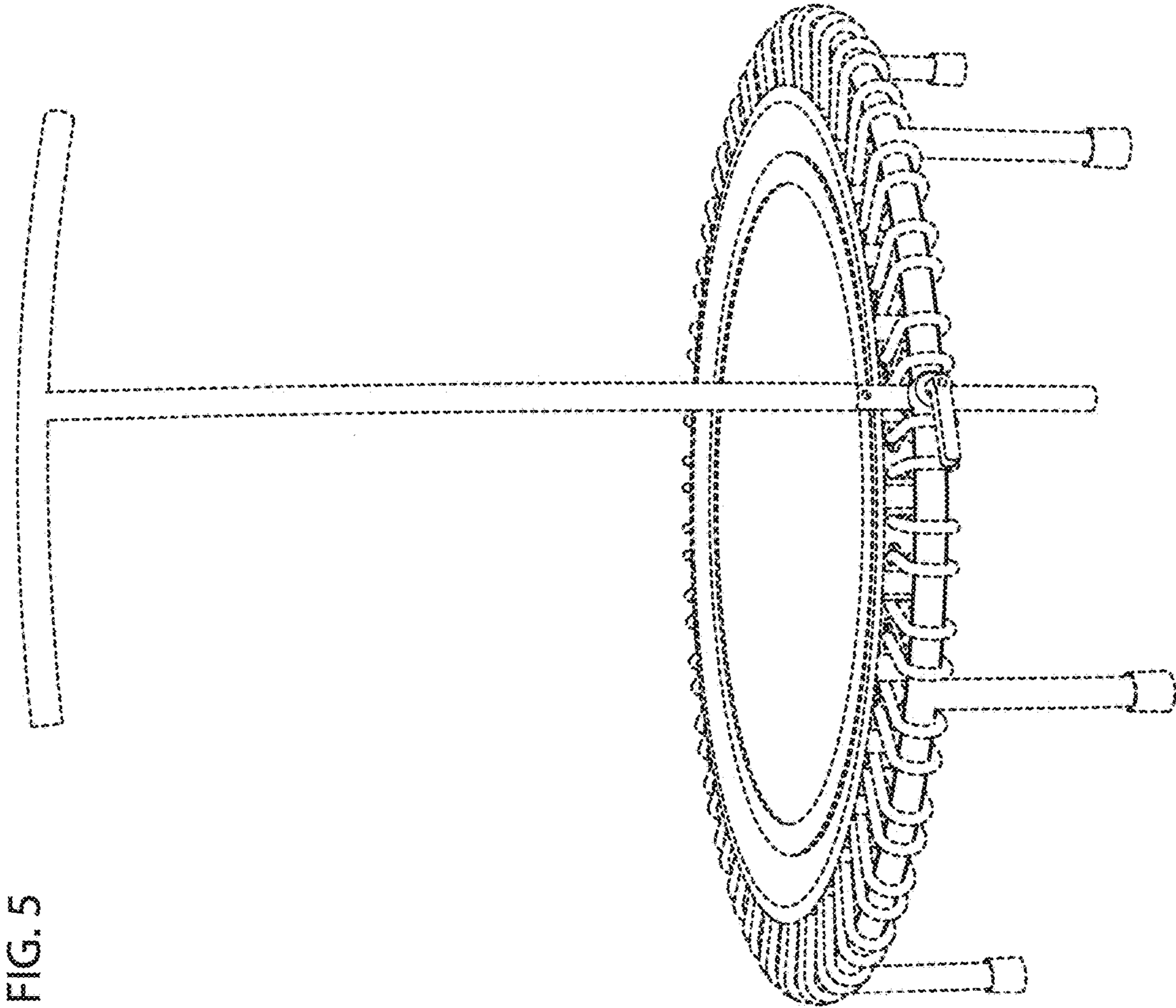


FIG. 6

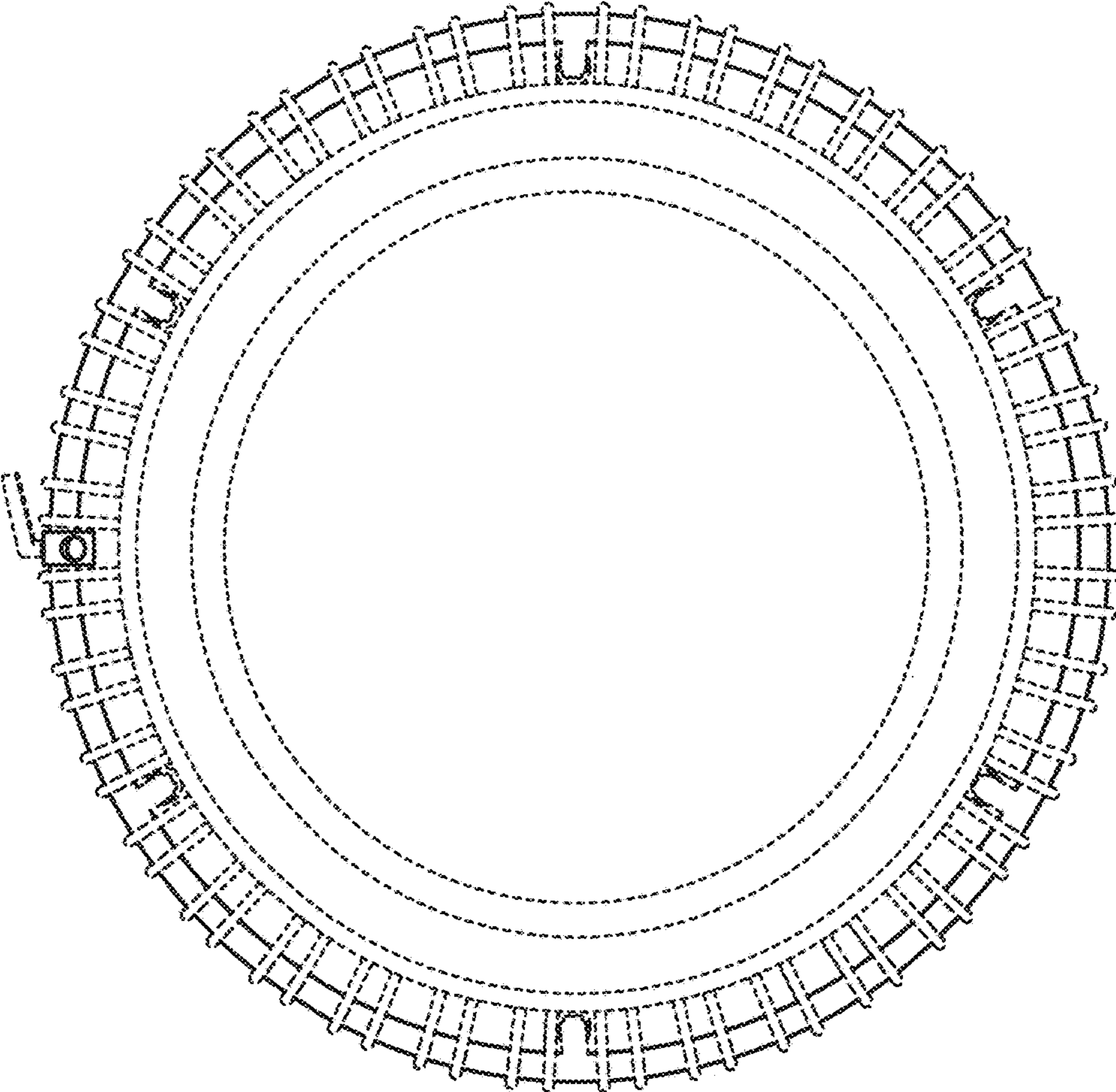
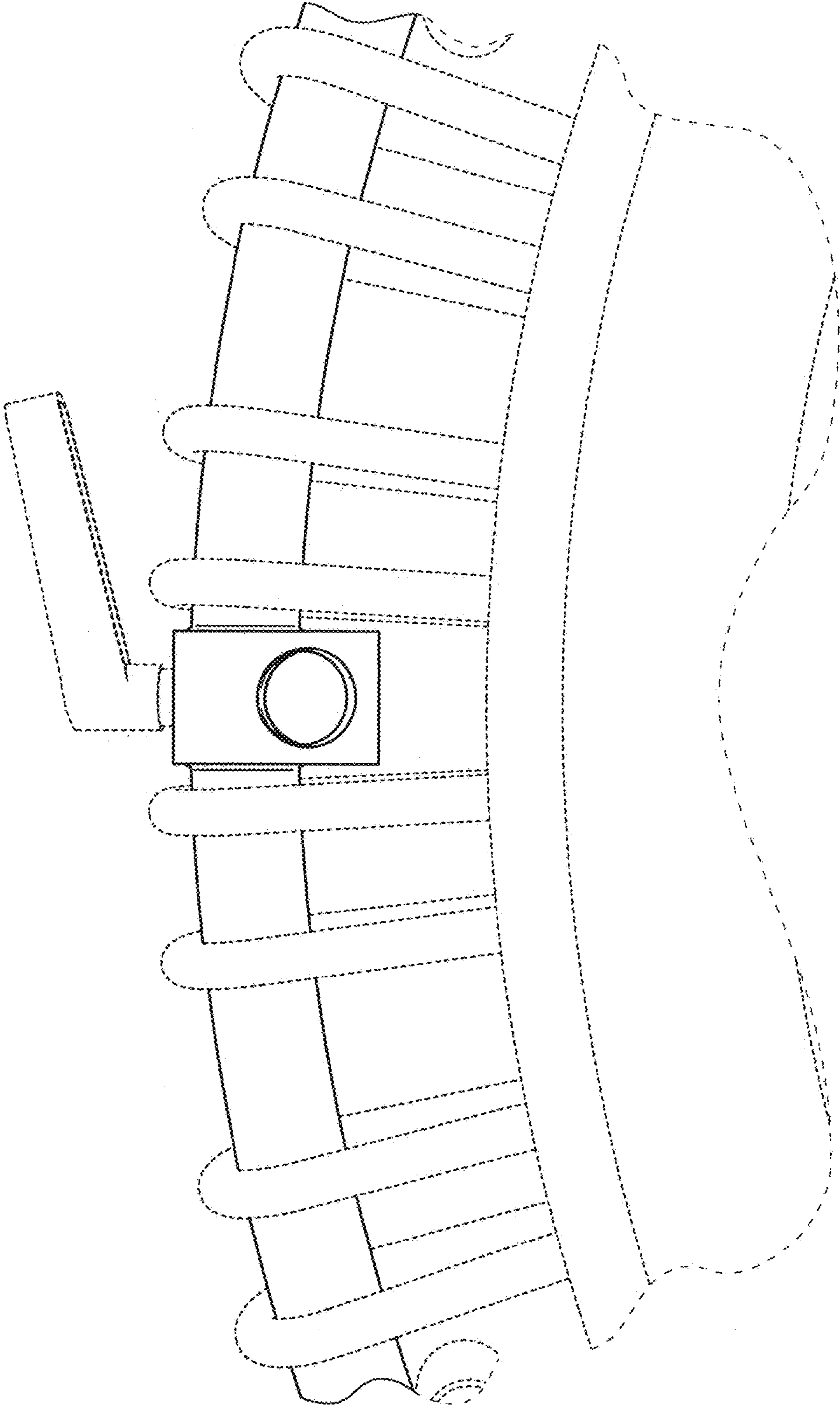




FIG. 7



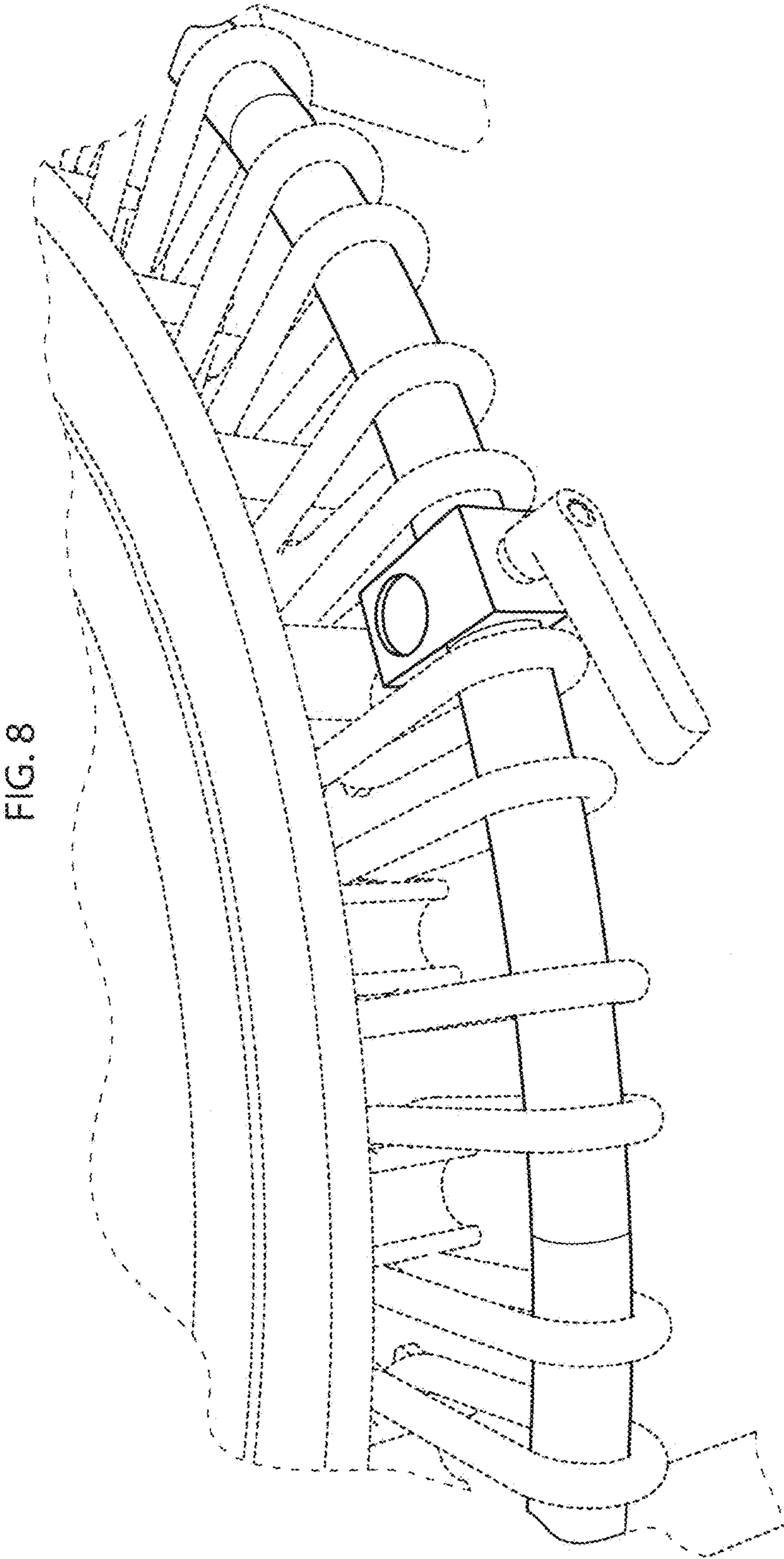


FIG. 8

FIG. 9

