



US00D844728S

(12) **United States Design Patent** (10) **Patent No.:** **US D844,728 S**
Oyler et al. (45) **Date of Patent:** **** Apr. 2, 2019**

(54) **GOLF TRAINING DEVICE**

(71) Applicant: **Golf Tailor, LLC**, Edmond, OK (US)
(72) Inventors: **Tim Oyler**, Edmond, OK (US); **Joshua M. Boggs**, Aledo, TX (US)

(73) Assignee: **Golf Tailor, LLC**, Edmond, OK (US)

(**) Term: **15 Years**

(21) Appl. No.: **29/623,836**

(22) Filed: **Oct. 27, 2017**

(51) **LOC (11) Cl.** **21-02**

(52) **U.S. Cl.**
USPC **D21/791**

(58) **Field of Classification Search**
USPC D21/789, 791

(Continued)

(56) **References Cited**

U.S. PATENT DOCUMENTS

482,836 A 9/1892 Wyant
1,637,339 A 8/1927 Glennon et al.

(Continued)

FOREIGN PATENT DOCUMENTS

CN 303855686 S 9/2016
HK 1600455.2 3/2016
WO WO 2004/105887 12/2004

Primary Examiner — Mitchell I. Siegel

(74) *Attorney, Agent, or Firm* — Caesar Rivise, PC

(57) **CLAIM**

The ornamental design for the golf training device, as shown and described.

DESCRIPTION

FIG. 1 is a bottom isometric view of a golf training device showing our new design, shown with a slidable canister in an upper-shaft position;

FIG. 2 is a top isometric view of the golf training device of FIG. 1, shown with the slidable canister in an upper-shaft position;

FIG. 3 is a front elevation view of the golf training device of FIG. 1, shown with the slidable canister in an upper-shaft position;

FIG. 4 is a rear elevation view of the golf training device of FIG. 1, shown with the slidable canister in an upper-shaft position;

FIG. 5 is a top plan view of the golf training device of FIG. 1, shown with the slidable canister in an upper-shaft position;

FIG. 6 is bottom plan view of a set of golf training device of FIG. 1, shown with the slidable canister in an upper-shaft position;

FIG. 7 is a left side elevation view of the golf training device of FIG. 1, shown with the slidable canister in an upper-shaft position;

FIG. 8 is a right side elevation view of the golf training device of FIG. 1, shown with the slidable canister in an upper-shaft position;

FIG. 9 is a cross-sectional view of the golf training device of FIG. 1, taken along line 9-9 of FIG. 3;

FIG. 10 is a bottom isometric view of the golf training device of FIG. 1, shown with the slidable canister in a lower-shaft position;

FIG. 11 is a top isometric view of the golf training device of FIG. 1, shown with the slidable canister in a lower-shaft position;

FIG. 12 is a front elevation view of the golf training device of FIG. 1, shown with the slidable canister in a lower-shaft position;

FIG. 13 is a rear elevation view of the golf training device of FIG. 1, shown with the slidable canister in a lower-shaft position;

FIG. 14 is a top plan view of the golf training device of FIG. 1, shown with the slidable canister in a lower-shaft position;

FIG. 15 is bottom plan view of a set of golf training device of FIG. 1, shown with the slidable canister in a lower-shaft position;

FIG. 16 is a left side elevation view of the golf training device of FIG. 1, shown with the slidable canister in a lower-shaft position;

(Continued)

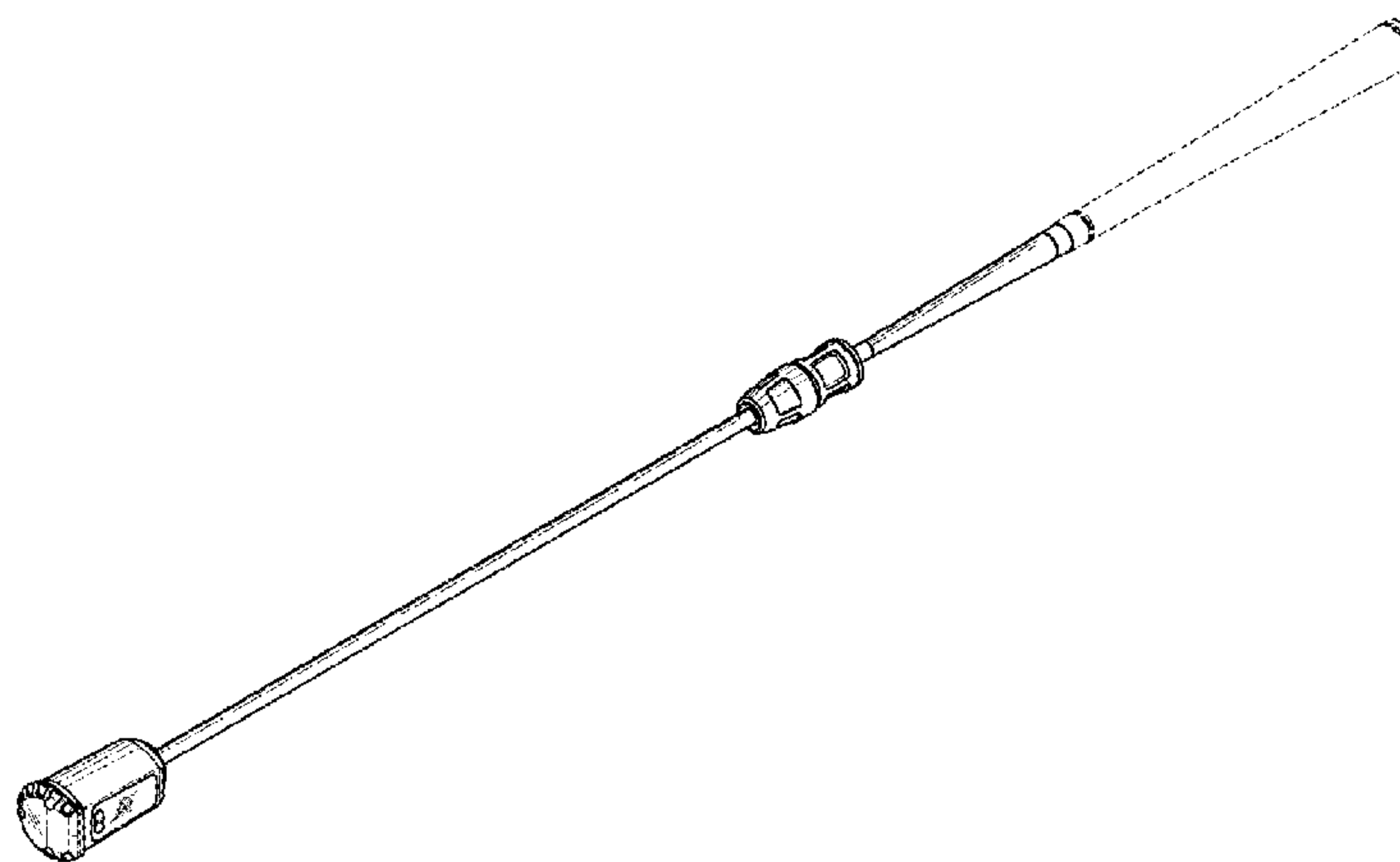


FIG. 17 is a right side elevation view of the golf training device of FIG. 1, shown with the slidable canister in a lower-shaft position; and,

FIG. 18 is a cross-sectional view of the golf training device of FIG. 1, with the slidable canister in the lower-shaft position of FIG. 10, taken along line 9-9 of FIG. 12.

The features shown in broken lines in the drawing depict portions of the design that form no part of the claimed design.

1 Claim, 10 Drawing Sheets

(58) **Field of Classification Search**

CPC A63B 69/3632; A63B 69/3635; A63B 69/3638; A63B 69/36; A63B 15/005

See application file for complete search history.

(56) **References Cited**

U.S. PATENT DOCUMENTS

3,482,838	A	12/1969	Gibson et al.
3,741,550	A	6/1973	Landures
D237,515	S *	11/1975	Thiel D21/791
4,027,886	A *	6/1977	Katsube A63B 69/3632 273/456
4,526,373	A	7/1985	Medlock
4,664,388	A	5/1987	Huber
4,732,390	A	5/1988	McCollum
4,913,440	A	4/1990	Ellington
4,930,786	A	6/1990	Bencriscutto
5,026,065	A	6/1991	Bellagamba
D326,268	S	5/1992	Le Tixerant
D326,493	S *	5/1992	Perry D21/791
D329,268	S *	9/1992	Perry D21/791
5,255,921	A	10/1993	Spence
5,360,209	A *	11/1994	Mollica A63B 15/005 473/457
5,423,548	A	6/1995	Bricker

5,513,842	A	5/1996	Fuss
D404,097	S	1/1999	Tyner
D405,859	S *	2/1999	Thompson D21/791
D407,773	S	4/1999	Greig
D417,479	S *	12/1999	Mechals, Jr. D21/791
D426,607	S *	6/2000	Wurster D21/791
D432,613	S	10/2000	Lewallen, Jr.
D457,929	S *	5/2002	Ciesar D21/725
D485,325	S *	1/2004	Rohan-Weaver D21/789
D486,198	S *	2/2004	Rohan-Weaver D21/791
D490,492	S *	5/2004	Nemeckay D21/791
6,955,610	B1 *	10/2005	Czaja A63B 15/005 473/256
7,001,285	B1	2/2006	Ahrend
7,214,140	B2	5/2007	Coombs
7,341,661	B2	10/2008	Cailey
7,566,277	B2	7/2009	Dahl
D603,924	S *	11/2009	Troutman D21/791
D627,414	S *	11/2010	Masuda D21/725
D640,764	S *	6/2011	Ikeda D21/791
D641,448	S	7/2011	Sessions
8,529,366	B2	9/2013	Butler et al.
8,540,584	B1 *	9/2013	Sorenson A63B 69/36 473/256
8,696,485	B2	4/2014	Pies et al.
D769,390	S *	10/2016	Wang D21/791
D808,483	S *	1/2018	Wang D21/791
D808,484	S *	1/2018	Oyler D21/791
D821,519	S *	6/2018	Oyler D21/791
2003/0199330	A1	10/2003	Magallanes
2004/0048680	A1	3/2004	O'Connor et al.
2004/0142757	A1	7/2004	Ahrend
2006/0019764	A1	1/2006	Gegelys
2006/0040760	A1	2/2006	Du Preez
2007/0032307	A1	2/2007	Coombs
2007/0087856	A1	4/2007	Rodriguez et al.
2007/0238542	A1	10/2007	Pecue
2008/0227561	A1	9/2008	Dahl
2009/0062028	A1	3/2009	Wu et al.
2009/0111598	A1	4/2009	O'Brien et al.
2011/0111876	A1	5/2011	Hart
2011/0294588	A1	12/2011	Pies et al.

* cited by examiner

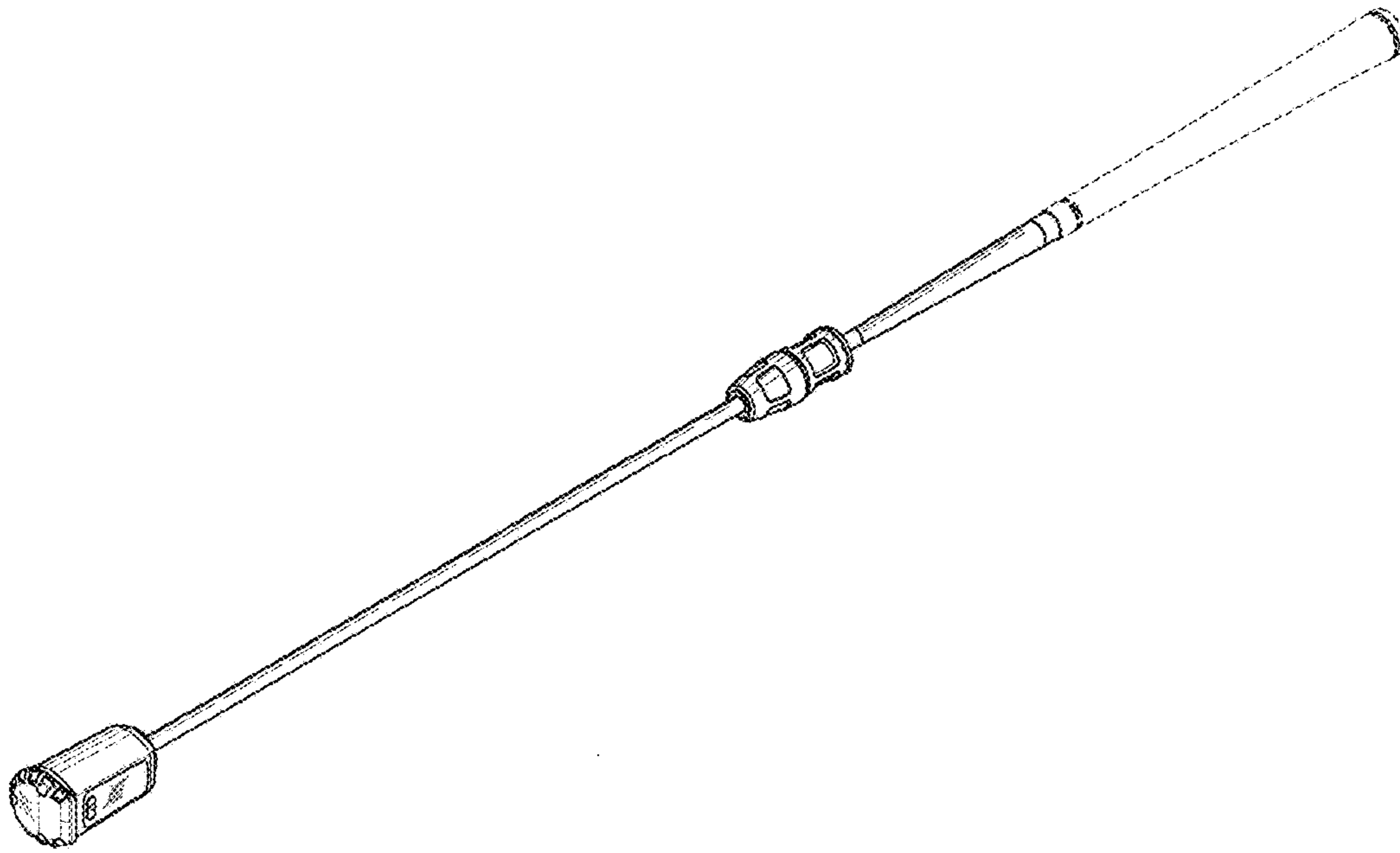


FIG. 1

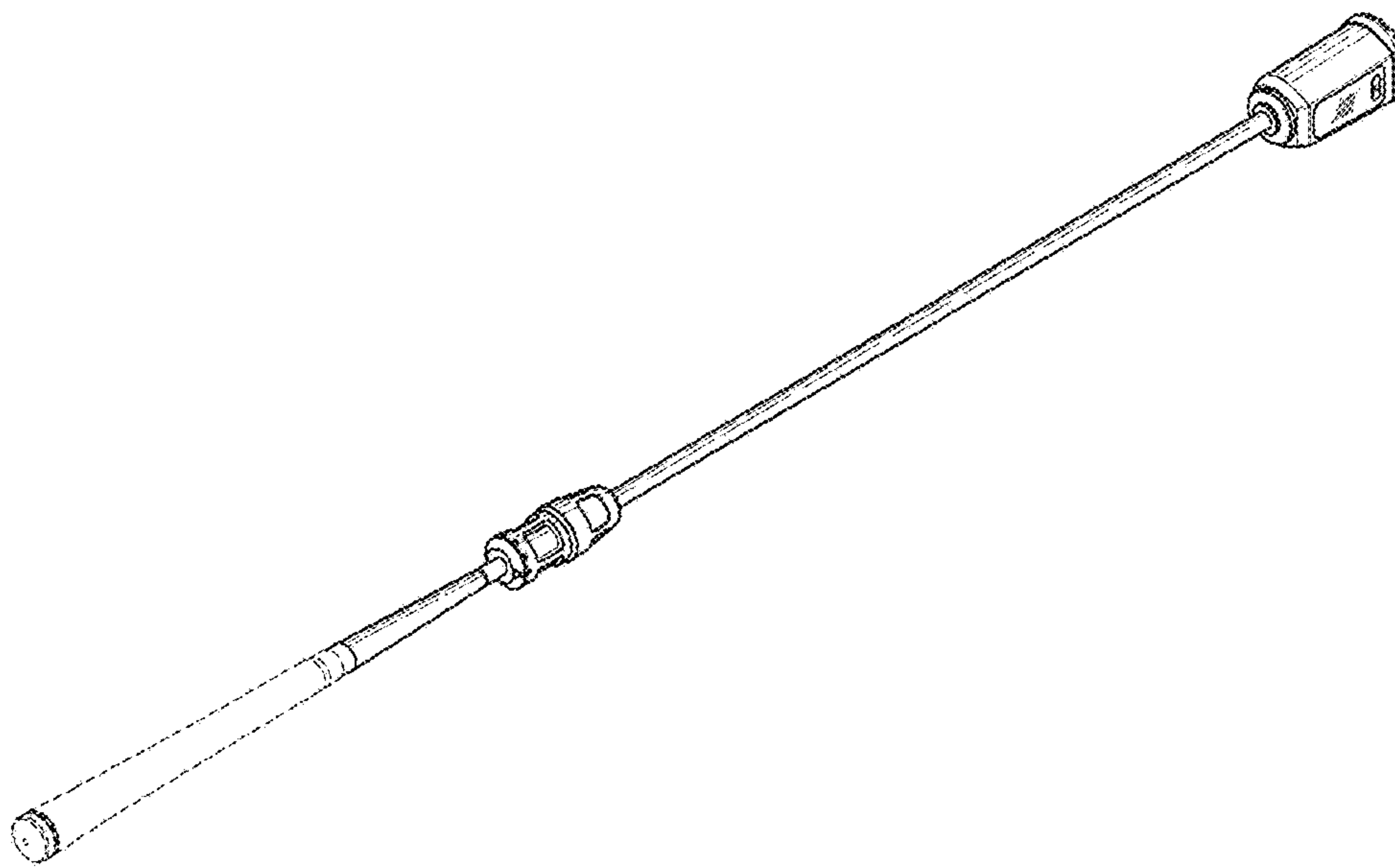


FIG. 2

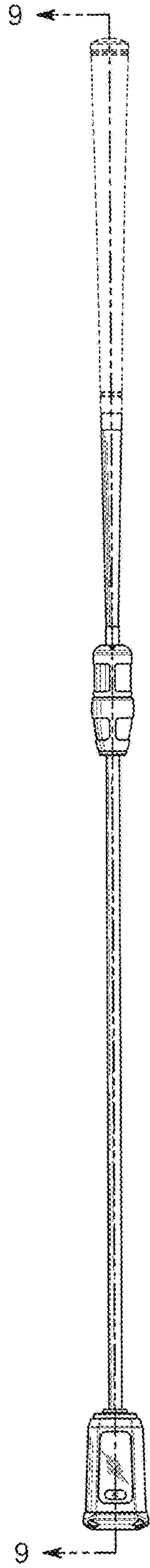


FIG. 3

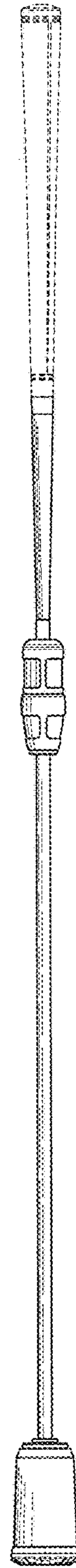


FIG. 4

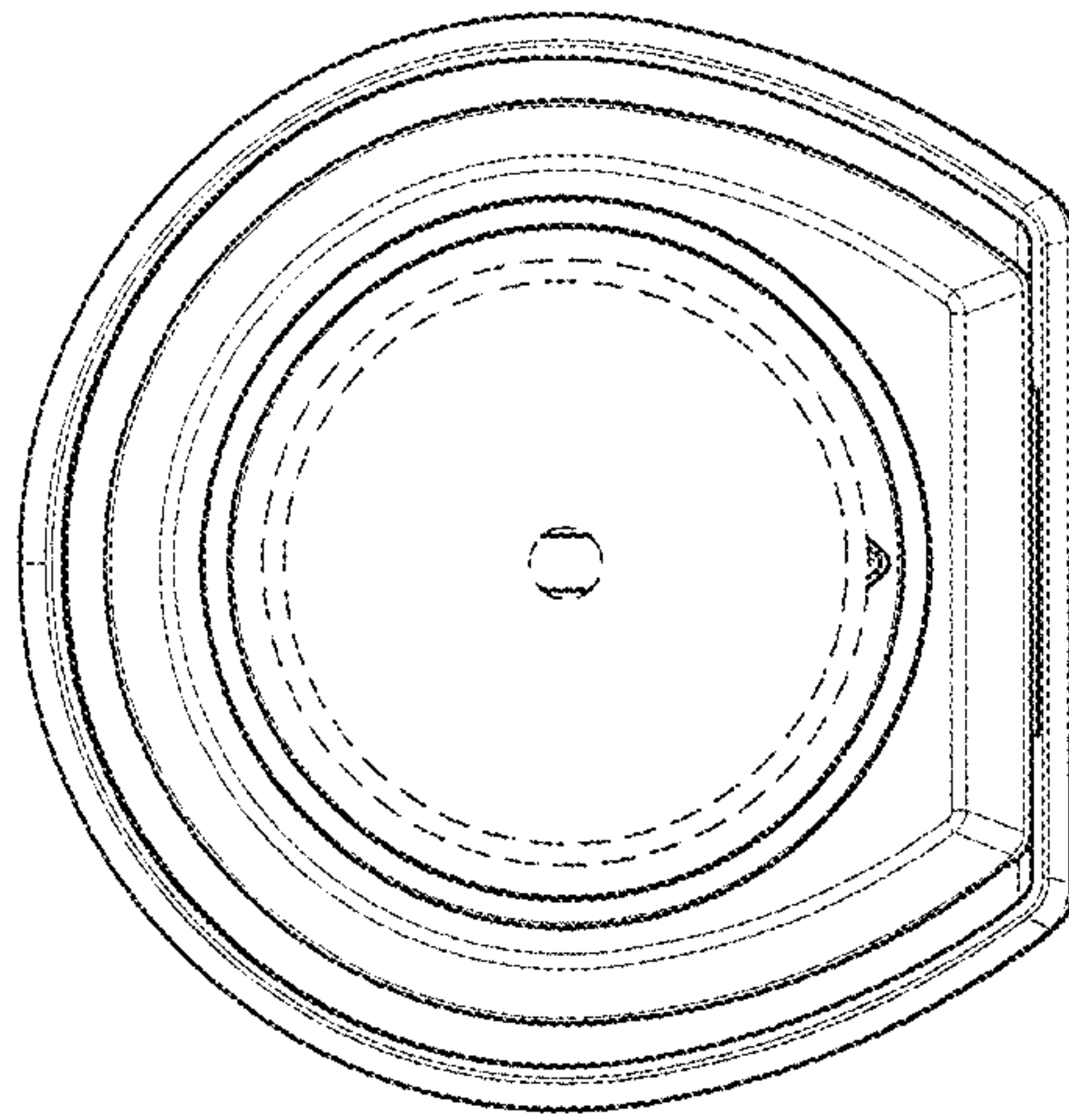


FIG. 5

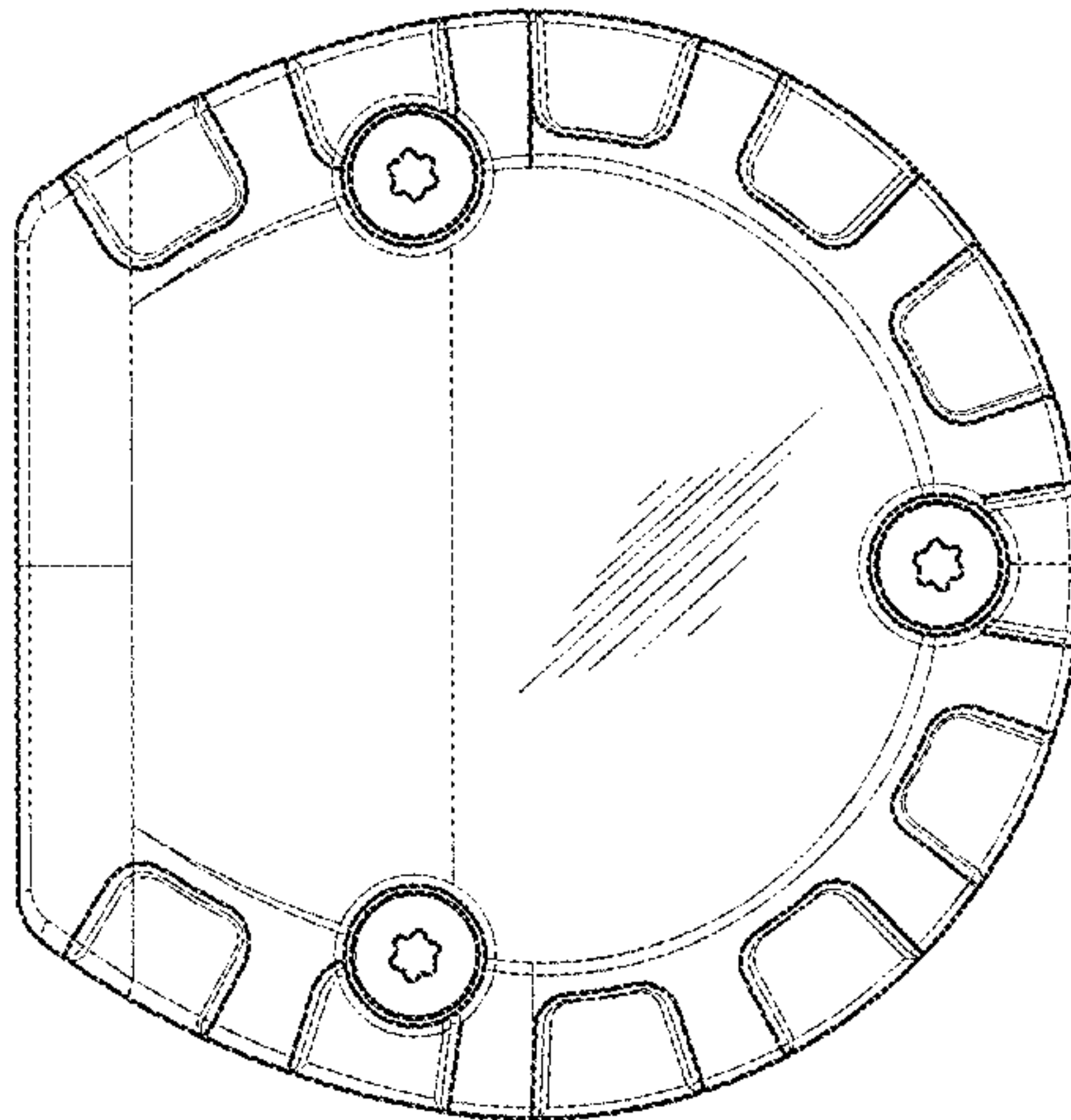


FIG. 6

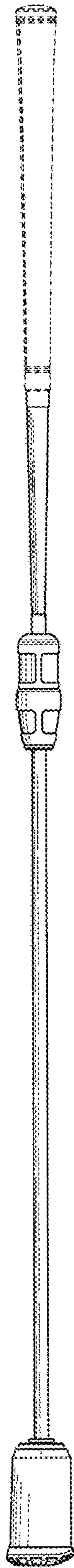


FIG. 7

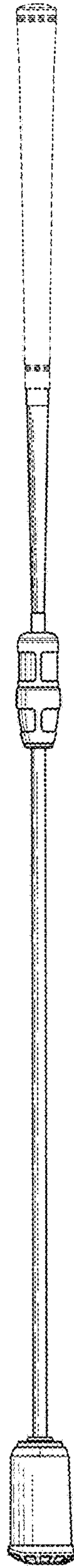


FIG. 8

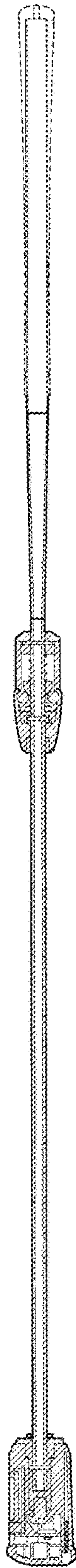


FIG. 9

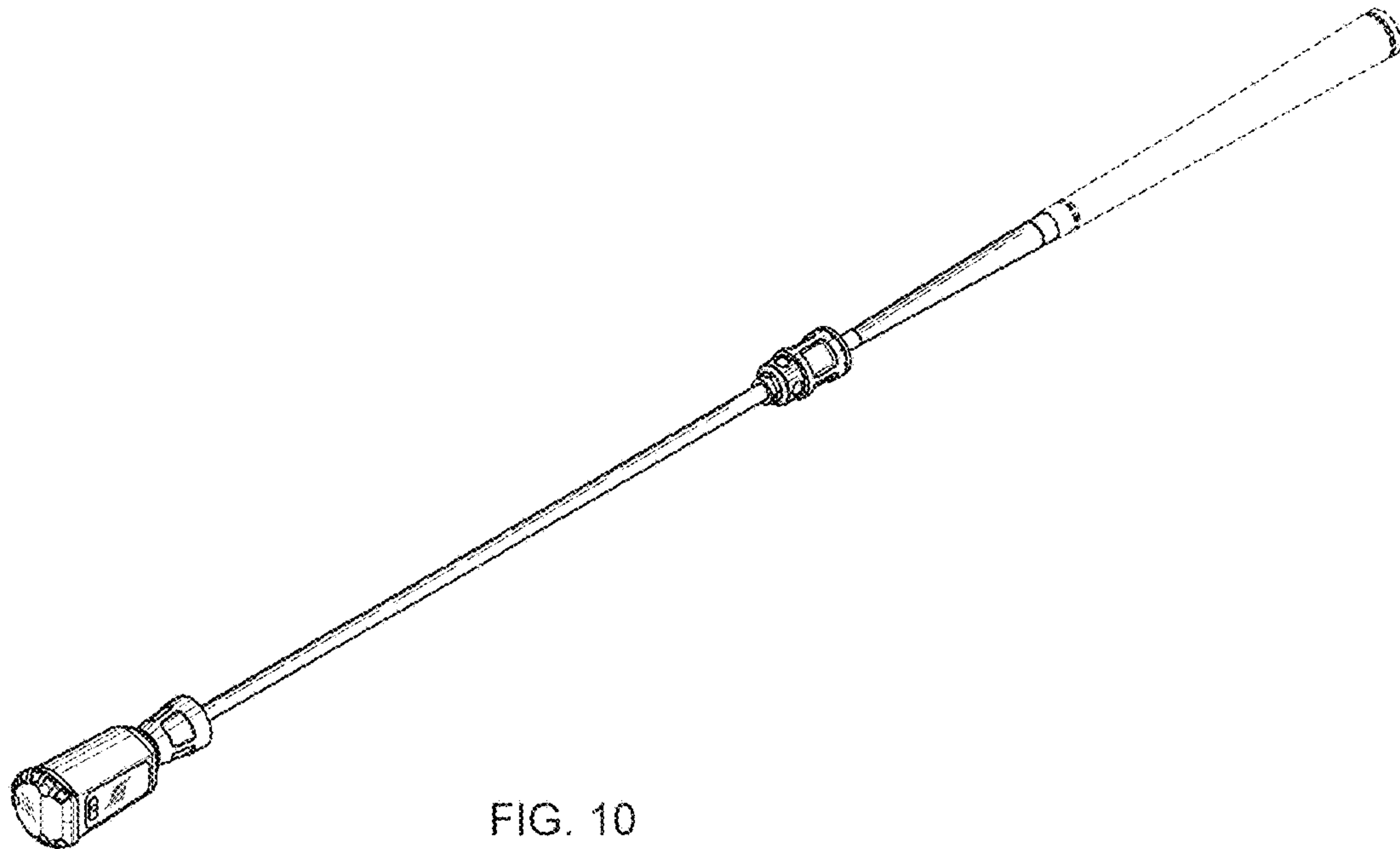


FIG. 10

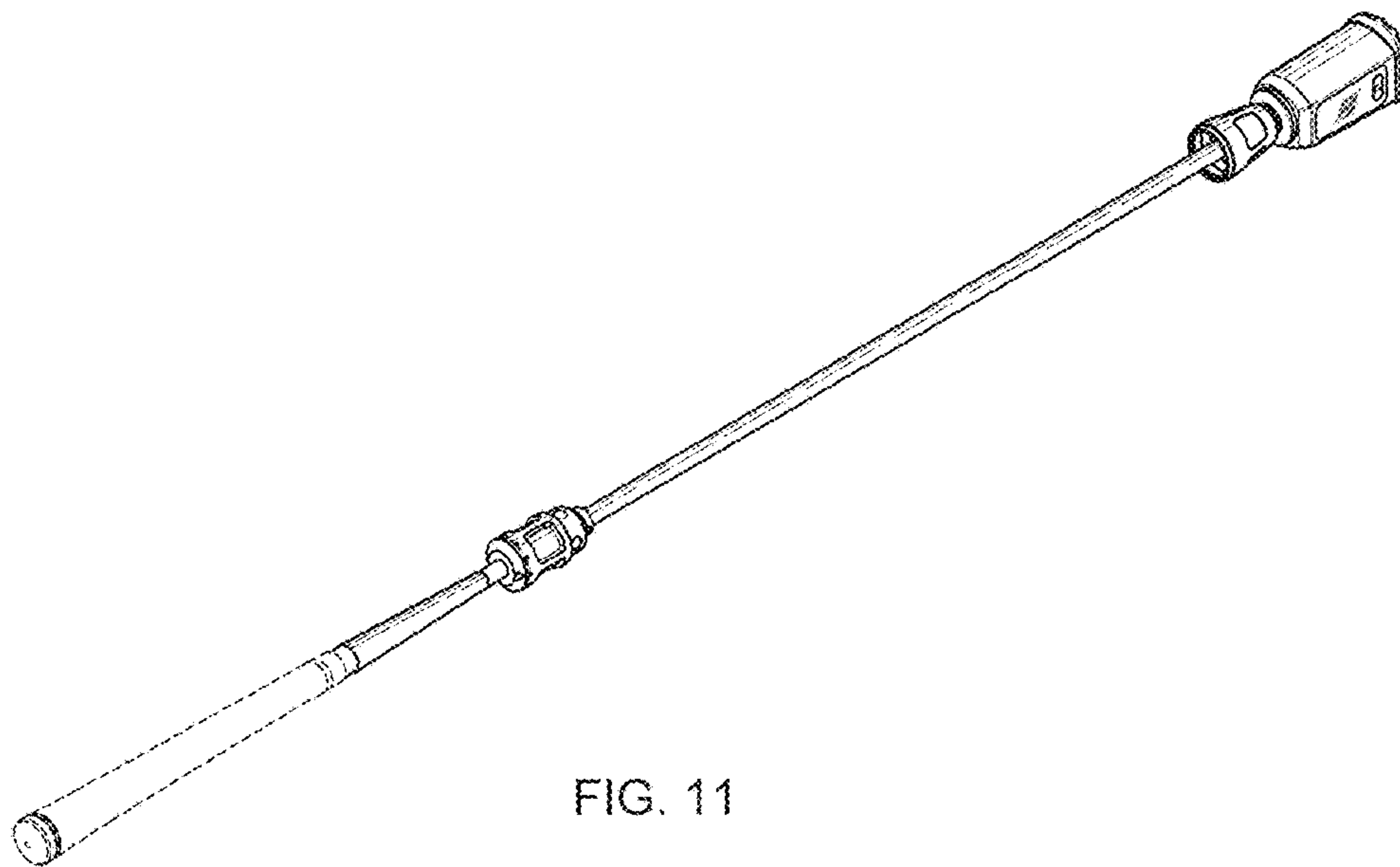


FIG. 11

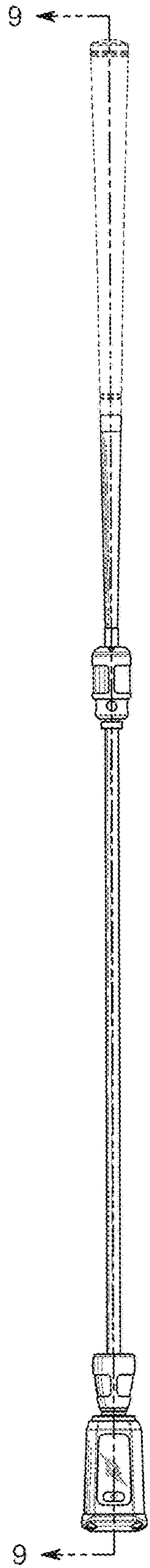


FIG. 12

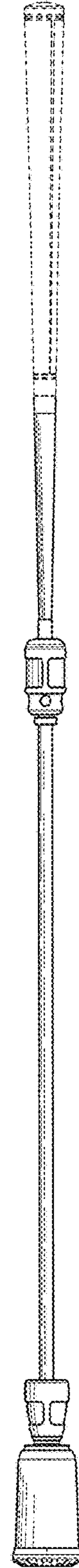


FIG. 13

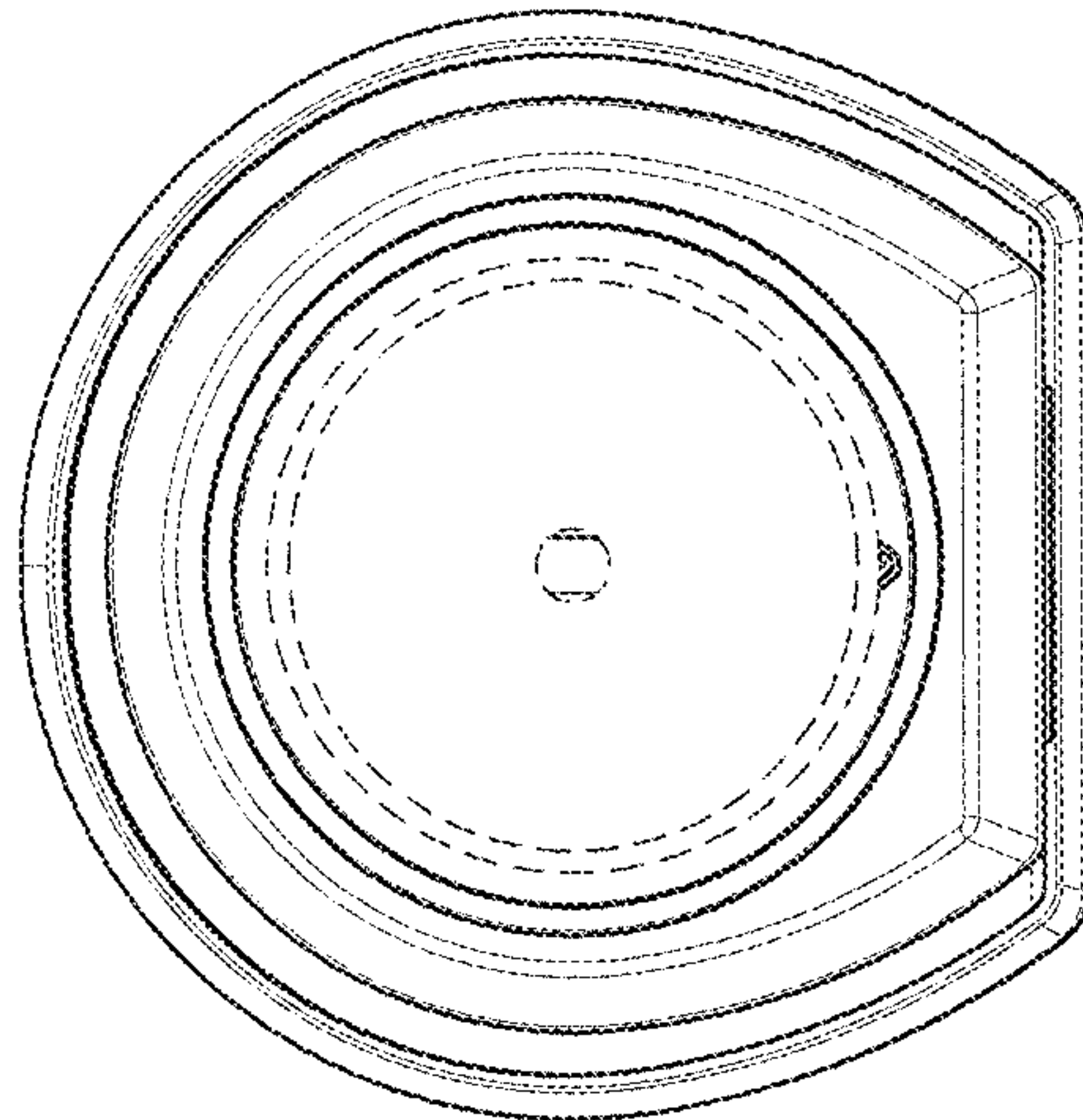


FIG. 14

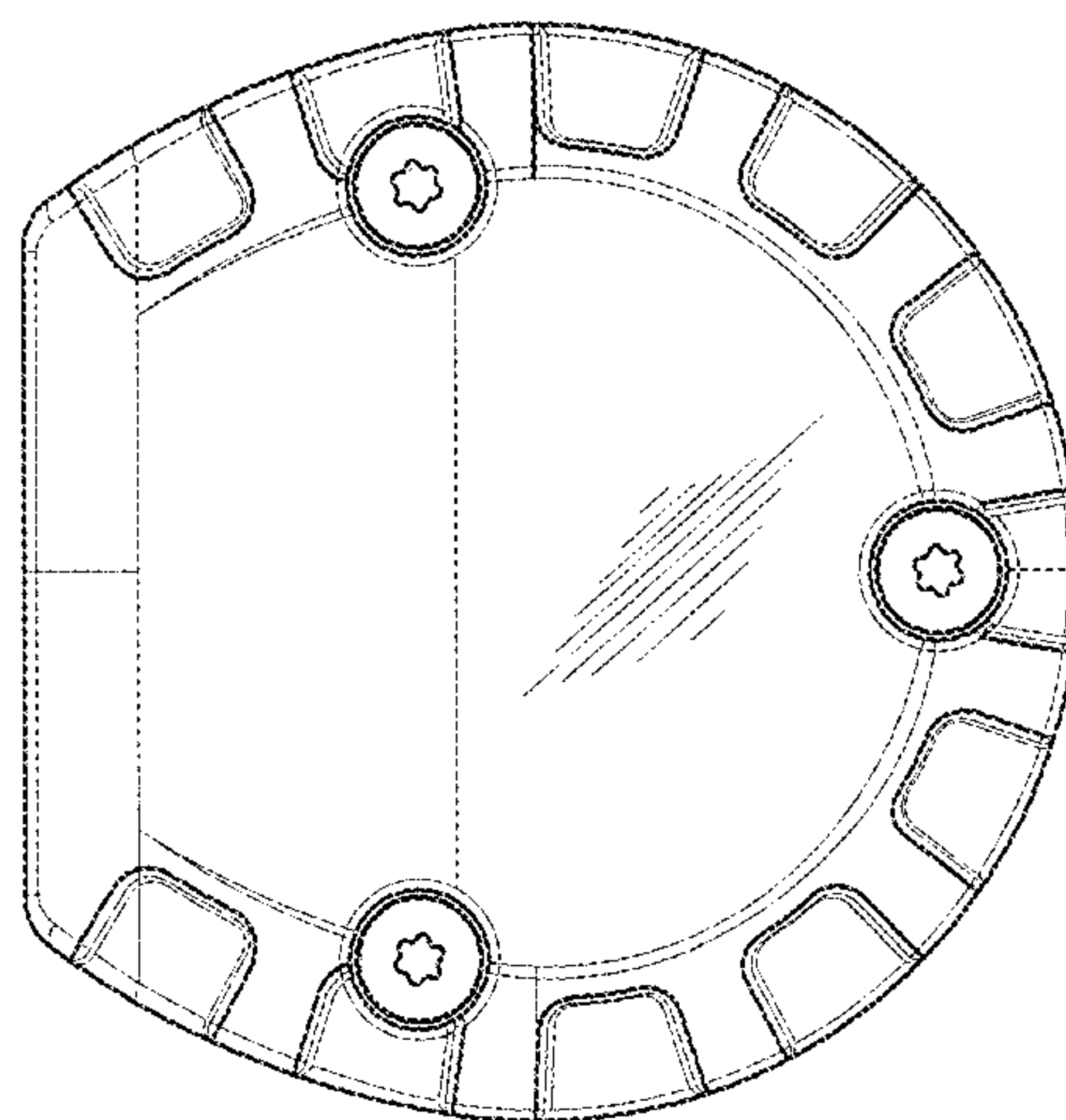


FIG. 15

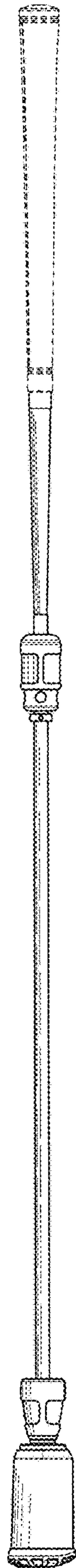


FIG. 16

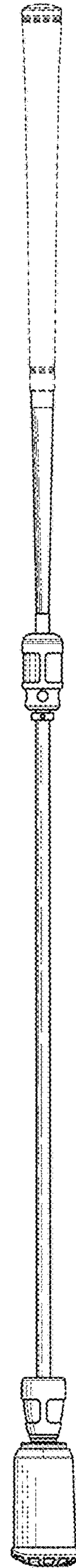


FIG. 17

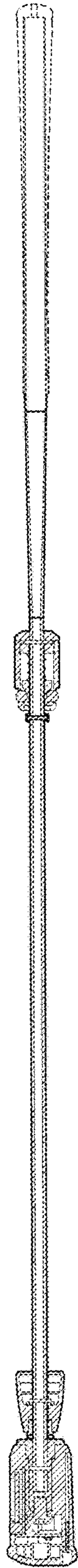


FIG. 18