



US00D844727S

(12) **United States Design Patent**
Pipponzi

(10) **Patent No.:** **US D844,727 S**

(45) **Date of Patent:** **** Apr. 2, 2019**

(54) **FOLDABLE SKATEBOARD**

(71) Applicant: **LINKY INNOVATION SRL**, Falerone (FM) (IT)

(72) Inventor: **Paolo Pipponzi**, Falerone (IT)

(73) Assignee: **LINKY INNOVATION SRL**, Falerone (FM) (IT)

(**) Term: **15 Years**

(21) Appl. No.: **29/623,446**

(22) Filed: **Oct. 25, 2017**

(30) **Foreign Application Priority Data**

Apr. 26, 2017 (IT) 402017000045265

(51) **LOC (11) Cl.** **21-02**

(52) **U.S. Cl.**
USPC **D21/765**

(58) **Field of Classification Search**
USPC D21/419, 421, 423, 426, 662, 760, 765,
D21/766, 769, 771, 776, 803
CPC A63C 17/02; A63C 17/26; A63C 5/003;
A63C 17/01; A63C 17/011; A63C
17/012; A63C 17/014; A63C 17/015;
B60Q 1/326; B62K 3/001
See application file for complete search history.

(56) **References Cited**

U.S. PATENT DOCUMENTS

D413,954 S * 9/1999 Gerlach D21/765
D422,661 S * 4/2000 Edwards D21/765
D422,662 S * 4/2000 Edwards D21/765
D505,470 S * 5/2005 Hong A63C 17/12
D21/765
D513,425 S * 1/2006 Kohl D21/765
7,044,486 B2 * 5/2006 Wright A63C 17/0046
280/87.041

D556,283 S * 11/2007 Hamborg D21/765
D558,290 S * 12/2007 Findling D21/765
D608,851 S * 1/2010 Hillman D21/765
D629,859 S * 12/2010 Buksa D21/765
D633,584 S * 3/2011 Hong A63C 17/12
D21/765
7,976,034 B1 * 7/2011 Hong A63C 17/01
280/87.042
8,317,206 B1 * 11/2012 Novitzky A63C 17/008
280/87.042
8,523,205 B2 * 9/2013 Hsu A63C 17/014
280/87.041
D692,079 S * 10/2013 Mackay D21/765
D692,080 S * 10/2013 Hamborg D21/765

(Continued)

Primary Examiner — Robin V Webster

Assistant Examiner — Keith J Wilson

(74) *Attorney, Agent, or Firm* — Egbert Law Offices,
PLLC

(57) **CLAIM**

The ornamental design for a foldable skateboard, as shown and described.

DESCRIPTION

FIG. 1 is a perspective view of a foldable skateboard showing my new design.

FIG. 2 is a front view thereof;

FIG. 3 is a rear view thereof;

FIG. 4 is a top view thereof;

FIG. 5 is a bottom view thereof;

FIG. 6 is a side view thereof;

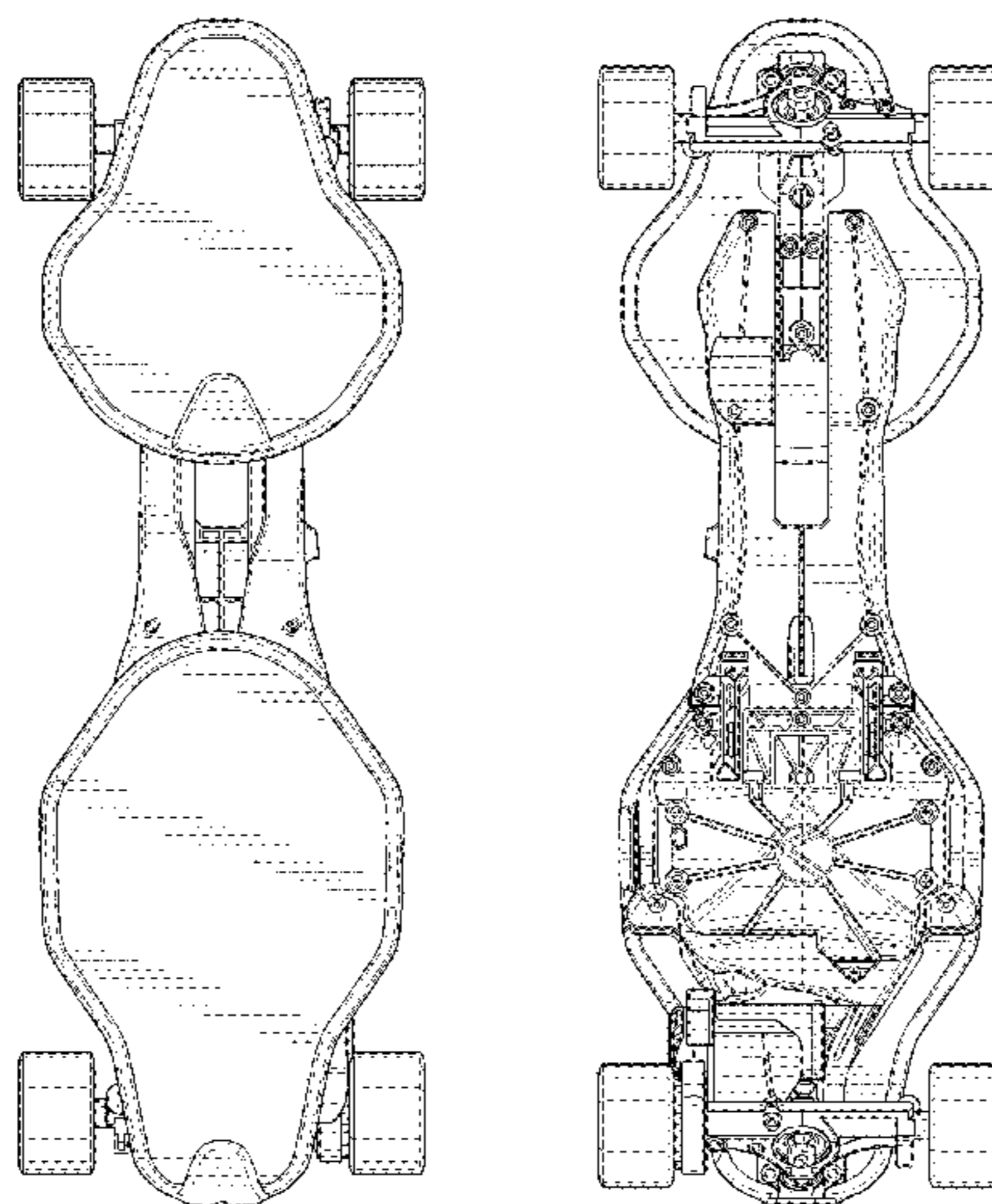
FIG. 7 is an opposite side view thereof;

FIG. 8 is an upper perspective view thereof, wherein the foldable skateboard is in a folded state; and,

FIG. 9 is a bottom perspective view of the foldable skateboard in an unfolded state.

The features presented in broken lines represent unclaimed portions of the foldable skateboard and form no part of the claimed design.

1 Claim, 4 Drawing Sheets



(56)

References Cited

U.S. PATENT DOCUMENTS

D698,881 S * 2/2014 Hamborg D21/765
 D703,780 S * 4/2014 Fox D21/765
 D705,371 S * 5/2014 Slater D21/765
 D705,372 S * 5/2014 Harris D21/765
 8,746,715 B2 * 6/2014 Woncik A63C 17/0006
 280/87.042
 D709,154 S * 7/2014 Brotherson D21/765
 D720,419 S * 12/2014 Norman D21/765
 D720,823 S * 1/2015 Norman D21/765
 D720,824 S * 1/2015 Norman D21/765
 D720,825 S * 1/2015 Norman D21/765
 D722,664 S * 2/2015 Norman D21/765
 D722,665 S * 2/2015 Norman D21/765
 D723,123 S * 2/2015 Norman D21/765
 D723,642 S * 3/2015 Fissell D21/765
 D724,166 S * 3/2015 Hamborg D21/765
 D725,733 S * 3/2015 Norman D21/765

D728,048 S * 4/2015 Stover D21/765
 D733,241 S * 6/2015 Fissell D21/765
 D745,617 S * 12/2015 Jensen D21/765
 D751,160 S * 3/2016 Tian D21/765
 D761,927 S * 7/2016 Belcher D21/765
 9,403,081 B2 * 8/2016 Rawlins A63C 17/0093
 D770,585 S * 11/2016 Desberg D21/765
 9,504,901 B1 * 11/2016 Lu A63C 17/017
 D784,470 S * 4/2017 Kesselman D21/765
 9,675,868 B2 * 6/2017 Willis A63C 17/017
 D797,227 S * 9/2017 Treadway D21/765
 D798,407 S * 9/2017 Pang D21/765
 D815,226 S * 4/2018 Treadway D21/765
 D817,427 S * 5/2018 Pang D21/765
 D818,068 S * 5/2018 Southard D21/760
 D818,069 S * 5/2018 Torres D21/765
 D818,070 S * 5/2018 Pang D21/765
 D820,157 S * 6/2018 Chen D12/1
 D824,464 S * 7/2018 Garner D21/765
 D825,014 S * 8/2018 Giang D21/765

* cited by examiner

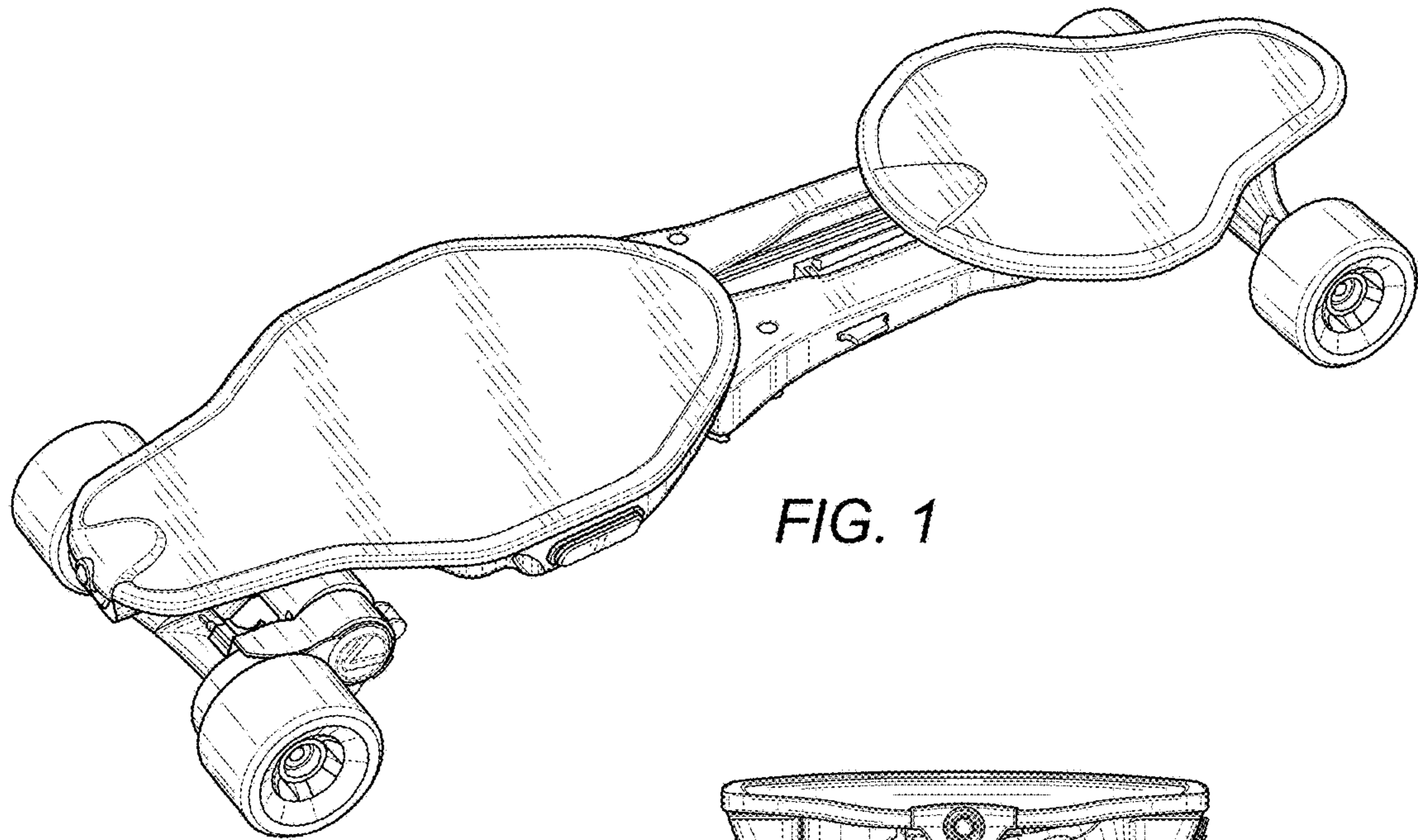


FIG. 1

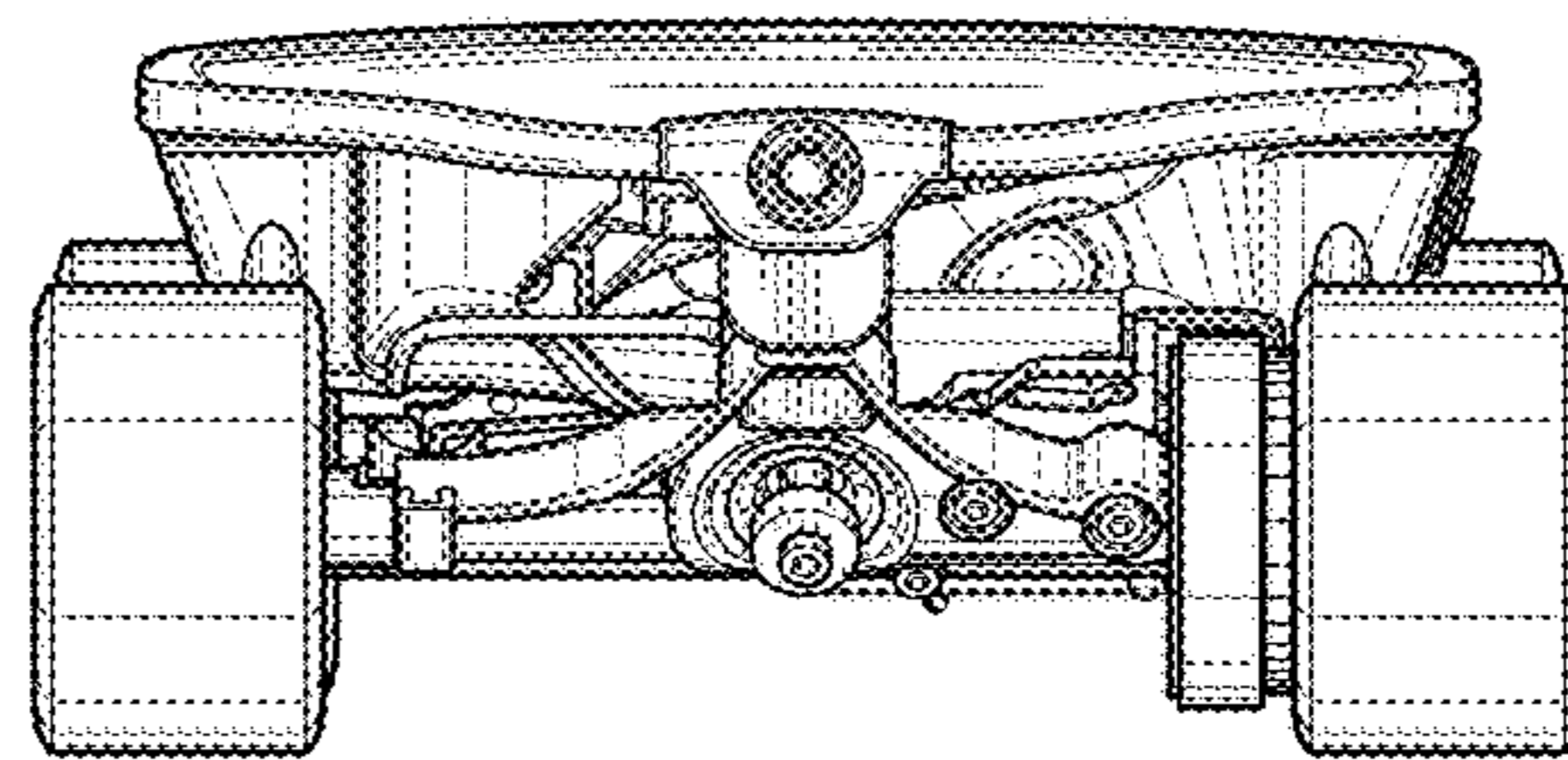


FIG. 2

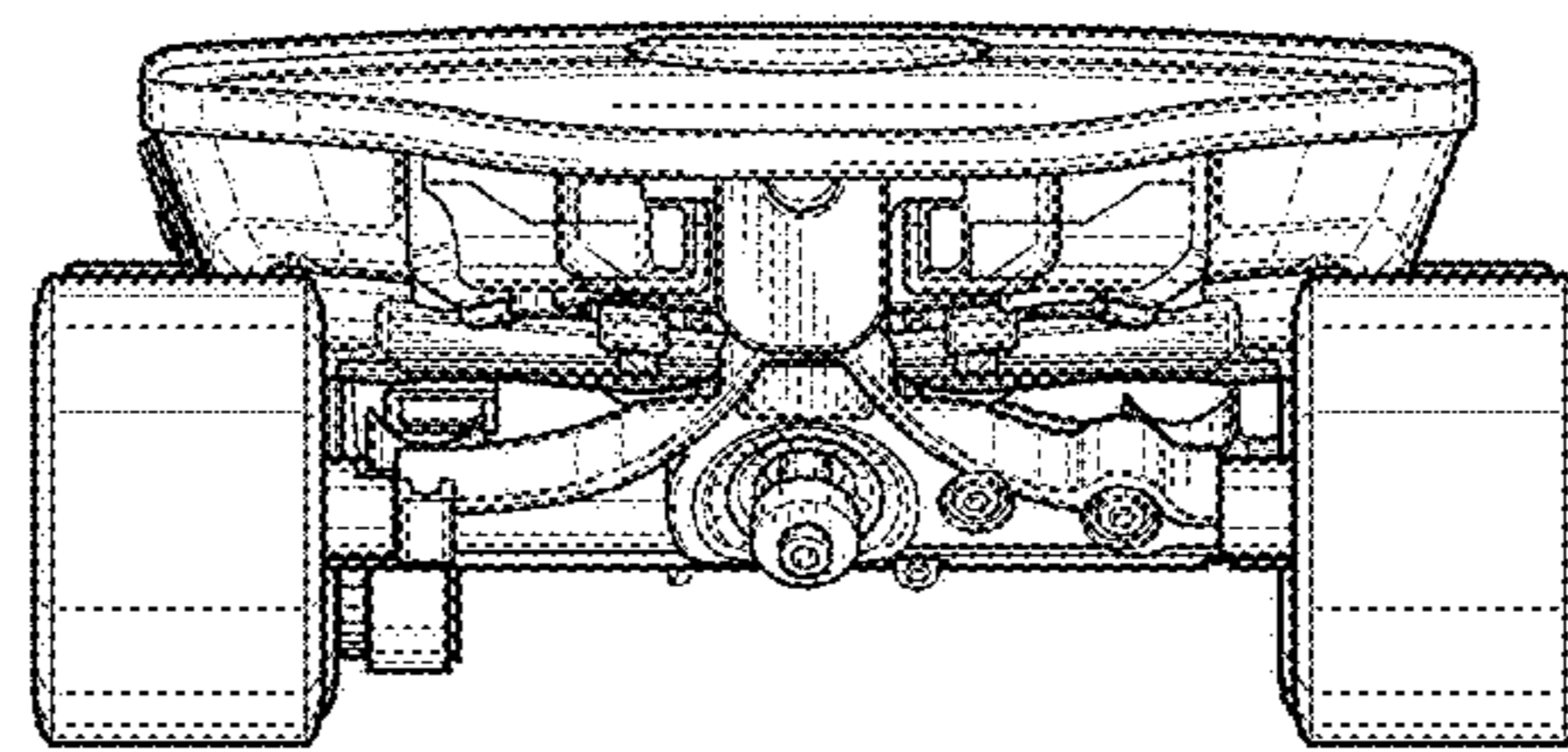


FIG. 3

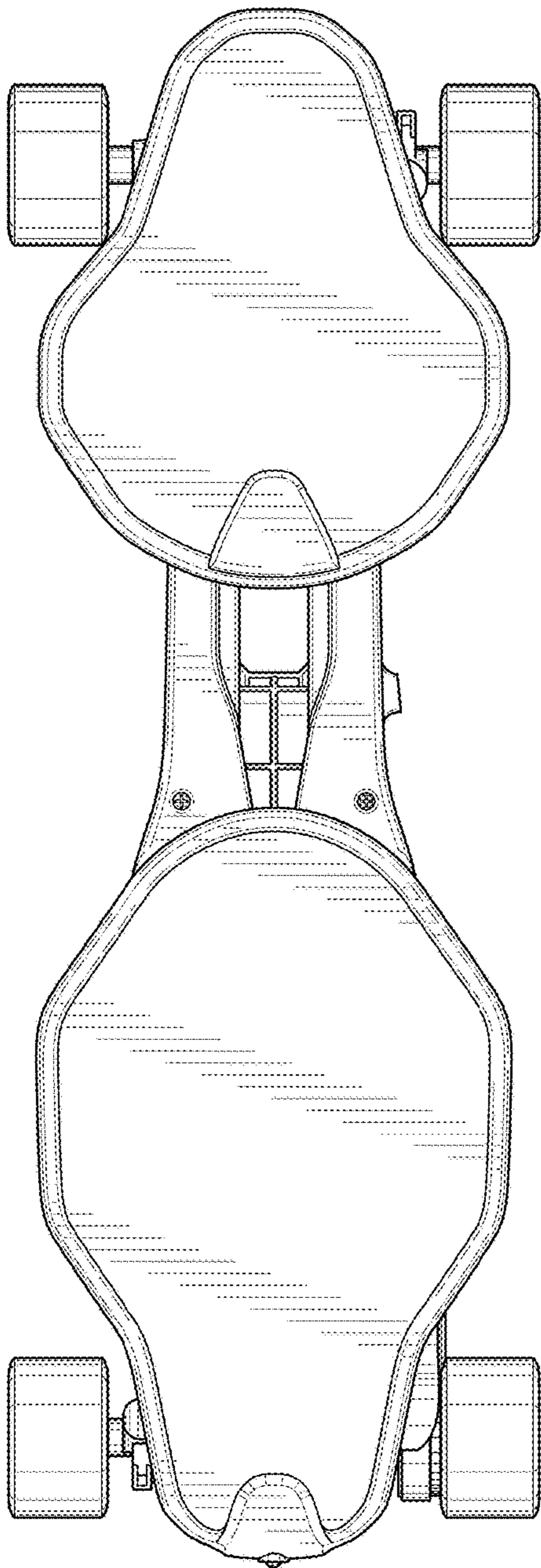


FIG. 4

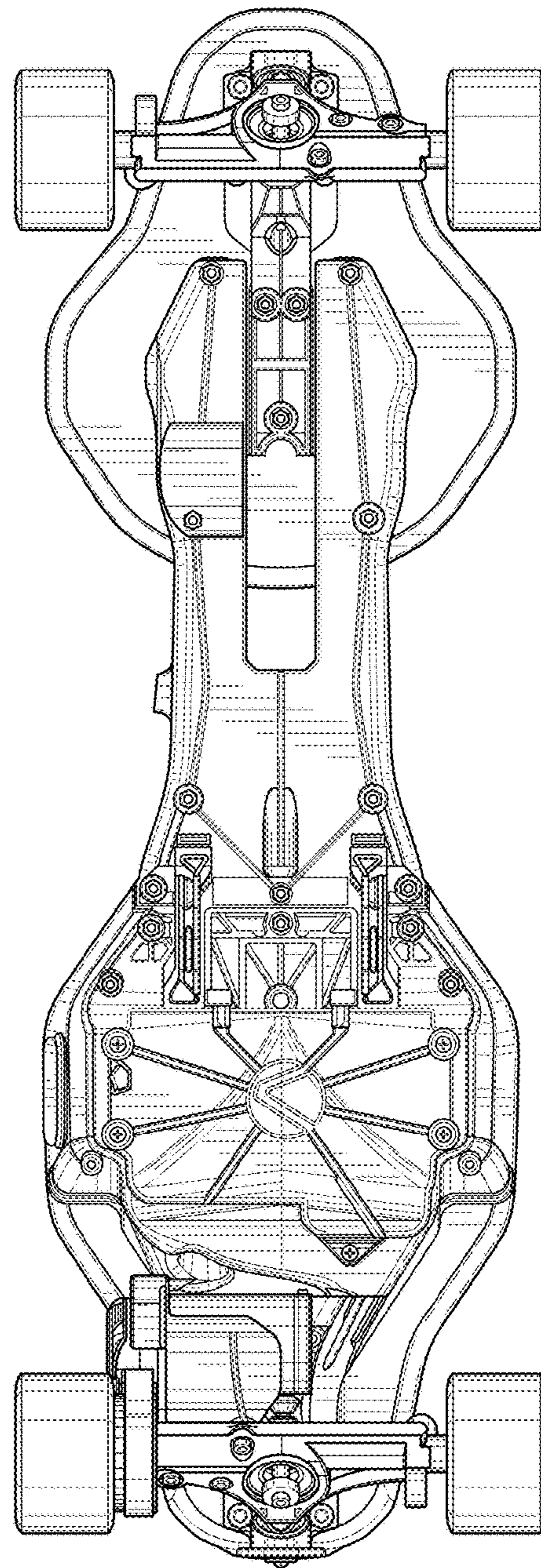


FIG. 5

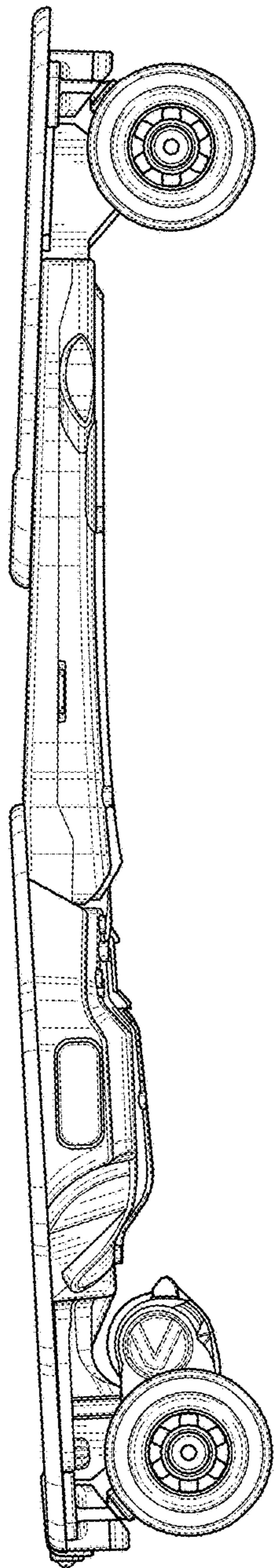


FIG. 6

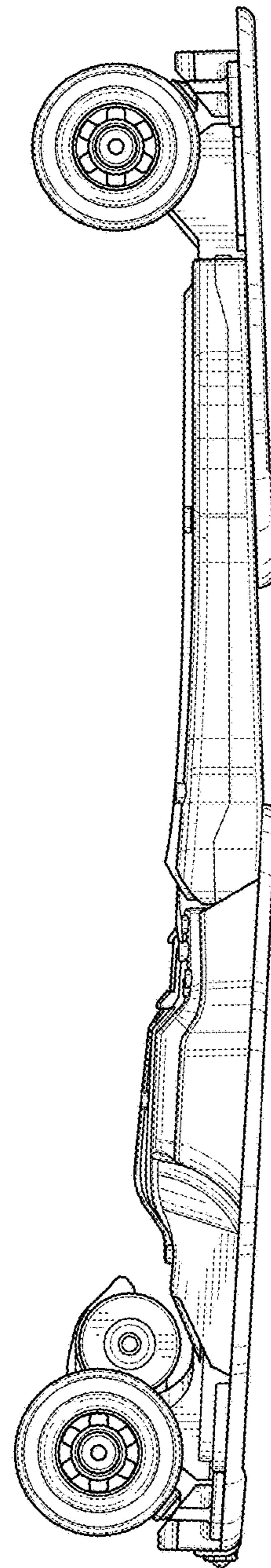


FIG. 7

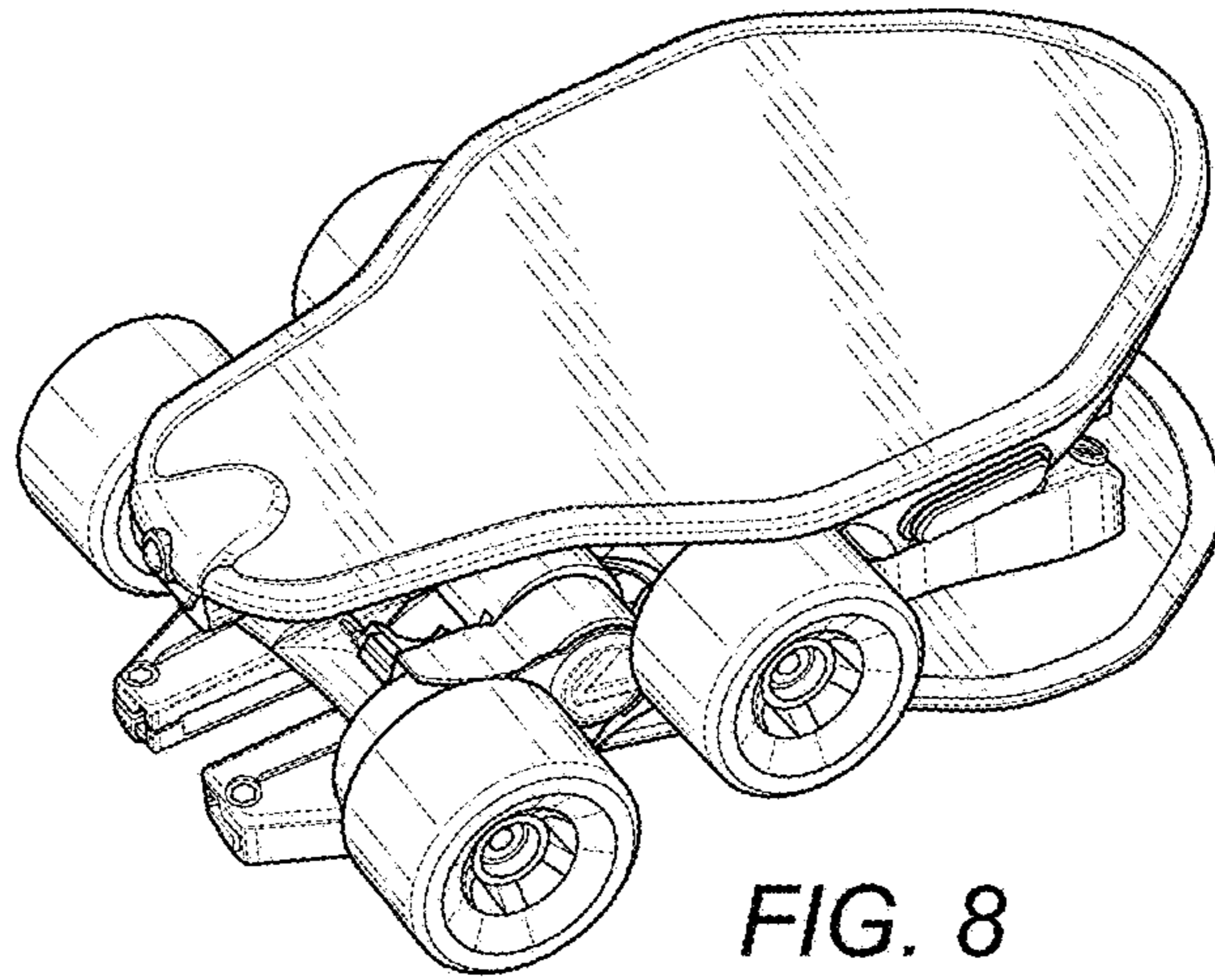


FIG. 8

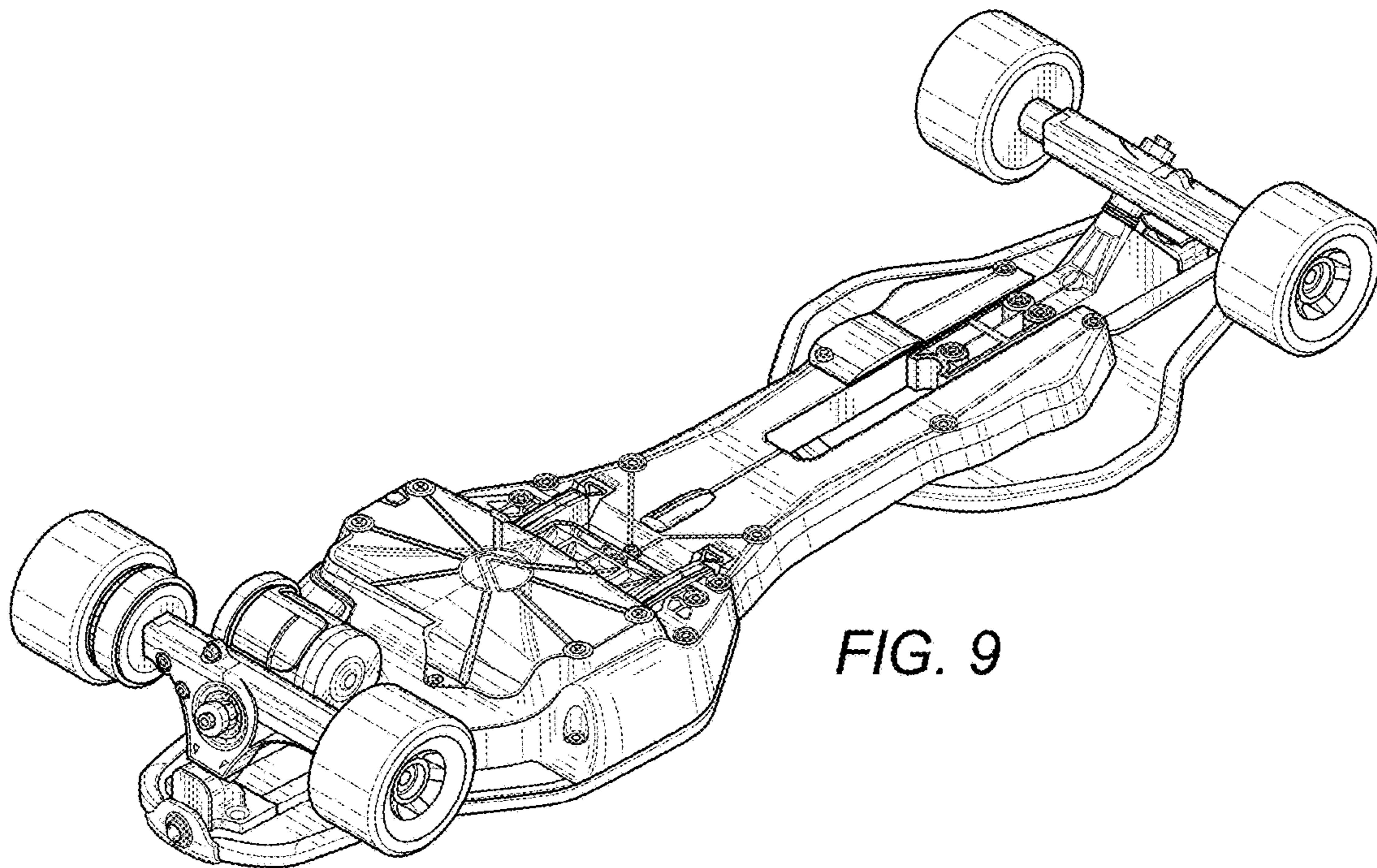


FIG. 9