

US00D844724S

(12) **United States Design Patent**
Wang et al.

(10) **Patent No.:** **US D844,724 S**

(45) **Date of Patent:** **** Apr. 2, 2019**

(54) **GOLF CLUB HEAD**

(71) Applicant: **Karsten Manufacturing Corporation**,
Phoenix, AZ (US)

(72) Inventors: **Calvin S. Wang**, Chandler, AZ (US);
David A. Higdon, Cave Creek, AZ
(US)

(73) Assignee: **Karsten Manufacturing Corporation**,
Phoenix, AZ (US)

(**) Term: **15 Years**

(21) Appl. No.: **29/625,632**

(22) Filed: **Nov. 10, 2017**

(51) **LOC (11) Cl.** **21-02**

(52) **U.S. Cl.**
USPC **D21/743**

(58) **Field of Classification Search**
USPC D21/736-746, 759
CPC A63B 53/00; A63B 53/04; A63B 53/007;
A63B 53/065; A63B 53/0487; A63B
60/00; A63B 60/46
See application file for complete search history.

(56) **References Cited**

U.S. PATENT DOCUMENTS

D399,911 S	10/1998	Nicolette et al.
D400,610 S	11/1998	Cameron et al.
D402,343 S	12/1998	Helmstetter et al.
D405,836 S	2/1999	Nicolette et al.
D405,856 S	2/1999	Tang et al.
D407,445 S	3/1999	Rollinson et al.
D410,267 S	5/1999	Solheim
D411,271 S	6/1999	Nelson
D428,086 S	7/2000	Solheim
D441,820 S	5/2001	Nicolette et al.
D443,905 S	6/2001	Nicolette et al.
D444,833 S	7/2001	Wells et al.

D449,085 S *	10/2001	Breier	D21/744
D450,799 S	11/2001	Nicolette et al.		
D451,973 S	12/2001	Wells et al.		
D454,169 S	3/2002	Solheim		
6,402,638 B1	6/2002	Kelley		
D464,099 S	10/2002	Cole		
D467,291 S	12/2002	Ngon		
D472,949 S	4/2003	Serrano		

(Continued)

Primary Examiner — Mitchell I. Siegel

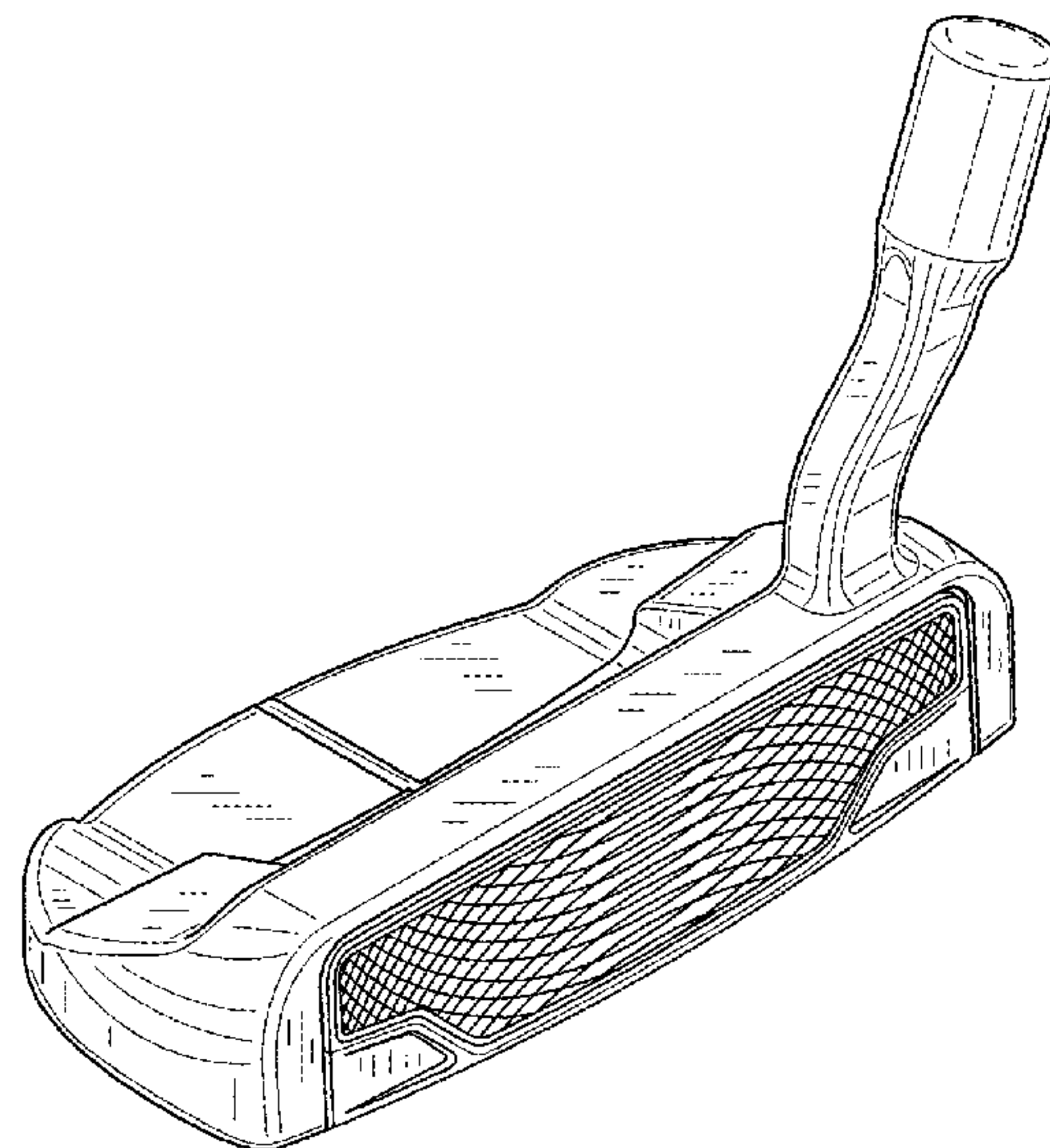
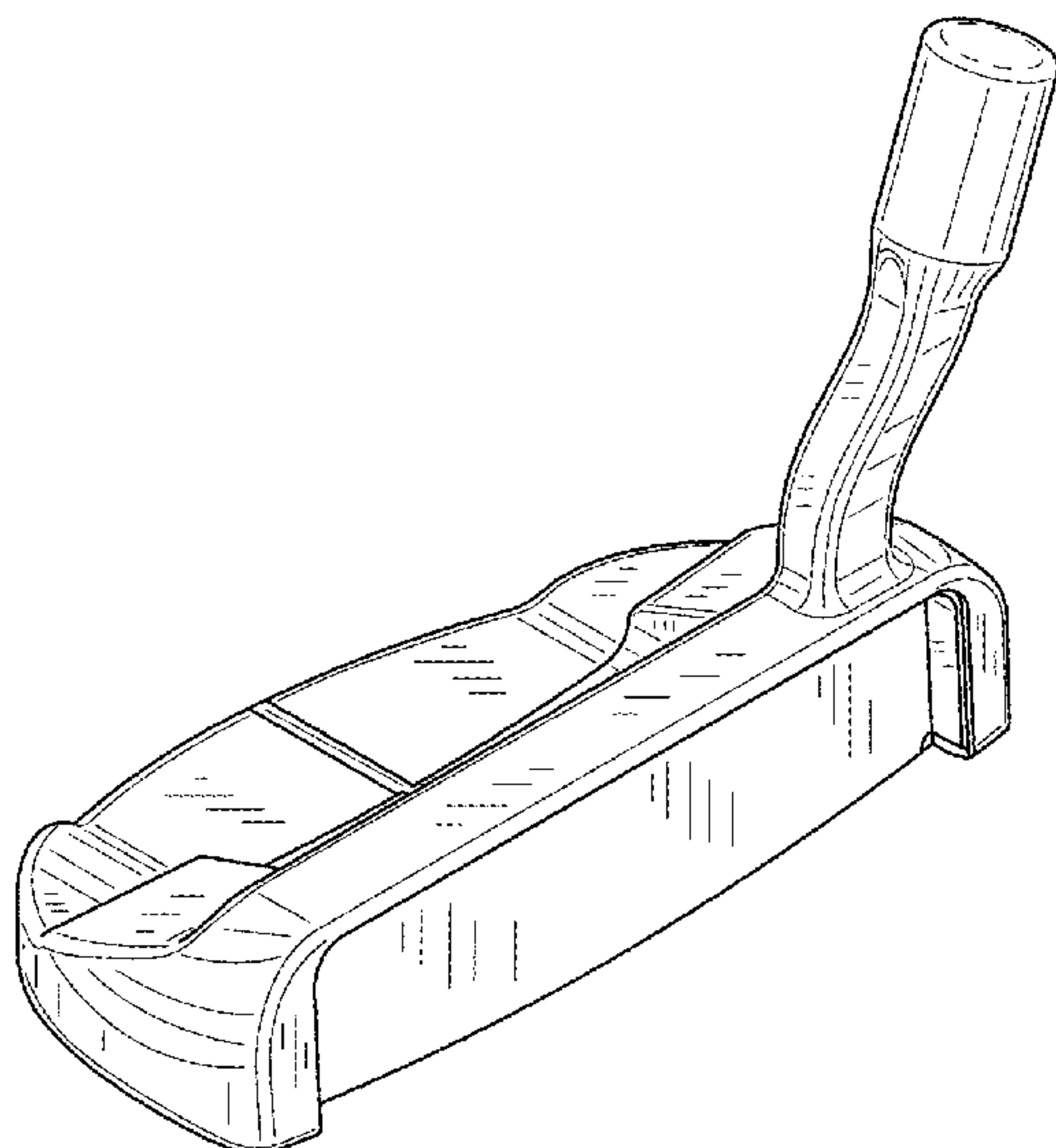
(57) **CLAIM**

The ornamental design for a golf club head, as shown and described.

DESCRIPTION

FIG. 1 is a top perspective view of a golf club head;
 FIG. 2 is a bottom perspective view of the golf club head of FIG. 1;
 FIG. 3 is a top view of the golf club head of FIG. 1;
 FIG. 4 is a bottom view of the golf club head of FIG. 1;
 FIG. 5 is a front view of the golf club head of FIG. 1;
 FIG. 6 is a rear view of the golf club head of FIG. 1;
 FIG. 7 is a heel side view of the golf club head of FIG. 1;
 FIG. 8 is a toe side view of the golf club head of FIG. 1;
 FIG. 9 is a top perspective view of a second embodiment of a golf club head;
 FIG. 10 is a bottom perspective view of the golf club head of FIG. 9;
 FIG. 11 is a top view of the golf club head of FIG. 9;
 FIG. 12 is a bottom view of the golf club head of FIG. 9;
 FIG. 13 is a front view of the golf club head of FIG. 9;
 FIG. 14 is a rear view of the golf club head of FIG. 9;
 FIG. 15 is a heel view of the golf club head of FIG. 9; and,
 FIG. 16 is a toe view of the golf club head of FIG. 9.
 The broken line showing of unclaimed subject matter is included for the purpose of illustrating environment and forms no part of the claimed design.

1 Claim, 8 Drawing Sheets



(56)

References Cited

U.S. PATENT DOCUMENTS

D474,821 S *	5/2003	Wells	D21/743	D574,909 S	8/2008	Jones et al.	
D477,041 S	7/2003	Cameron		D574,910 S	8/2008	Jones et al.	
6,634,956 B1	10/2003	Pegg		D574,911 S	8/2008	Jones et al.	
D483,086 S	12/2003	Schweigert et al.		D574,912 S	8/2008	Jones et al.	
6,663,497 B2	12/2003	Cameron		D575,366 S	8/2008	Rollinson	
D485,592 S	1/2004	Hettinger et al.		D577,085 S	9/2008	Nicolette et al.	
D486,872 S *	2/2004	Schweigert	D21/736	D577,086 S	9/2008	Nicolette et al.	
D488,200 S	4/2004	Olsavsky et al.		D577,398 S	9/2008	Hilton	
D494,237 S	8/2004	Ware		D579,505 S	10/2008	Jones	
D498,276 S	11/2004	Schweigert		D579,506 S	10/2008	Nicolette et al.	
D499,778 S	12/2004	Cameron		D579,995 S	11/2008	Nicolette et al.	
D500,109 S	12/2004	Solheim et al.		7,455,599 B2	11/2008	Jones	
D500,110 S	12/2004	Solheim et al.		D582,497 S	12/2008	Rollinson	
D500,539 S	1/2005	Holloway		D583,886 S *	12/2008	Cameron	D21/743
D502,234 S	2/2005	Grace		D585,510 S	1/2009	Murrieta	
D502,748 S	3/2005	Burrows		7,473,189 B2	1/2009	Schweigert	
D505,702 S	5/2005	Wood		7,481,713 B2	1/2009	Beckman	
D506,795 S	6/2005	Petersen		D587,325 S	2/2009	Solheim et al.	
D506,796 S	6/2005	Li		D588,657 S *	3/2009	Hettinger	D21/744
D507,613 S	7/2005	Baiocchi		D590,035 S	4/2009	Hilton	
D508,273 S	8/2005	Garner et al.		D590,461 S	4/2009	Kim et al.	
D510,394 S	10/2005	Tang et al.		D591,371 S	4/2009	Hilton	
D511,802 S	11/2005	Cameron		D591,372 S	4/2009	Tang et al.	
6,960,140 B2	11/2005	Solheim et al.		D591,806 S	5/2009	Cameron	
6,966,845 B2	11/2005	Solheim et al.		D591,807 S	5/2009	Rollinson	
D514,181 S	1/2006	Cameron		D592,717 S	5/2009	Rollinson	
D514,182 S	1/2006	Olsavsky et al.		D594,073 S	6/2009	Kadoya	
D515,646 S	2/2006	Perry		D594,517 S	6/2009	Tang et al.	
7,004,849 B2	2/2006	Cameron		D594,917 S	6/2009	Stellander	
D517,143 S	3/2006	Petsel et al.		D595,372 S	6/2009	Rollinson	
D518,127 S	3/2006	Tang et al.		D595,373 S	6/2009	Kim et al.	
D520,583 S	5/2006	Rollinson et al.		D596,685 S	7/2009	Wallans	
D521,582 S	5/2006	Souza et al.		D599,423 S	9/2009	Serrano et al.	
7,052,411 B2	5/2006	Solheim et al.		D599,424 S	9/2009	Serrano et al.	
D522,598 S	6/2006	Solheim et al.		D599,425 S	9/2009	Laub	
D524,887 S	7/2006	Jones et al.		D599,868 S	9/2009	Serrano et al.	
D525,327 S	7/2006	Jones et al.		D599,869 S	9/2009	Serrano et al.	
D525,328 S	7/2006	Solheim et al.		D599,870 S	9/2009	Serrano et al.	
D525,329 S	7/2006	Jones et al.		D600,760 S	9/2009	Serrano et al.	
7,077,758 B2	7/2006	Rohrer		D600,761 S	9/2009	Solheim et al.	
D527,777 S	9/2006	Solheim et al.		D600,762 S	9/2009	Serrano et al.	
D529,560 S	10/2006	Madore		D601,214 S	9/2009	Serrano et al.	
D532,468 S *	11/2006	Hettinger	D21/743	D603,008 S	10/2009	Donahue	
D532,842 S	11/2006	Jones et al.		7,601,076 B2	10/2009	Rollinson	
D532,843 S	11/2006	Jones et al.		D604,782 S	11/2009	Franklin	
D532,845 S	11/2006	Rollinson		D606,139 S	12/2009	Ines et al.	
D532,846 S	11/2006	Lee et al.		7,645,199 B2	1/2010	Cameron	
D533,243 S	12/2006	Fife et al.		D621,458 S	8/2010	Serrano et al.	
D533,609 S	12/2006	Moore et al.		D621,459 S	8/2010	Serrano et al.	
7,147,569 B2	12/2006	Tang et al.		D621,460 S	8/2010	Serrano et al.	
D534,974 S	1/2007	Haack		D621,461 S	8/2010	Serrano et al.	
D536,400 S	2/2007	DiBattista		D621,462 S	8/2010	Serrano et al.	
D537,135 S	2/2007	Rollinson		D621,891 S	8/2010	Serrano et al.	
D539,860 S	4/2007	Fussell		D623,709 S	9/2010	Serrano et al.	
D542,873 S	5/2007	Oldknow		7,803,066 B2	9/2010	Solheim et al.	
D545,385 S	6/2007	Tang et al.		D624,978 S	10/2010	Rollinson	
D547,403 S	7/2007	Serrano et al.		D635,625 S	4/2011	Rollinson	
D547,404 S	7/2007	Serrano et al.		D641,057 S *	7/2011	Rollinson	D21/744
D547,405 S	7/2007	Serrano et al.		D641,440 S *	7/2011	Hettinger	D21/743
D548,295 S	8/2007	Jertson et al.		D641,442 S *	7/2011	Rollinson	D21/744
D552,197 S	10/2007	Wells et al.		D650,455 S	12/2011	Serrano et al.	
D557,361 S	12/2007	Rollinson		D650,457 S *	12/2011	Rollinson	D21/743
7,326,121 B2	2/2008	Roake		D650,458 S *	12/2011	Rollinson	D21/744
D564,606 S	3/2008	Oldknow et al.		D652,092 S *	1/2012	Rollinson	D21/743
D564,607 S	3/2008	Oldknow et al.		D688,762 S *	8/2013	Hilton	D21/736
D565,138 S	3/2008	Wilson		D690,378 S *	9/2013	Rollinson	D21/743
D569,461 S	5/2008	Morris		D691,226 S	10/2013	Hilton et al.	
D569,462 S	5/2008	Rollinson		D691,681 S *	10/2013	Hilton	D21/736
D571,877 S	6/2008	Jones et al.		D733,233 S *	6/2015	Dolezel	D21/742
D571,878 S	6/2008	Jones et al.		D777,268 S *	1/2017	Becktor	D21/742
D571,879 S	6/2008	Jones et al.		D792,536 S *	7/2017	Wang	D21/743
7,390,267 B2	6/2008	Grace		D826,353 S *	8/2018	Cameron	D21/736
D573,673 S	7/2008	Noyes		2003/0228925 A1	12/2003	Rohrer	
D574,907 S	8/2008	Jones et al.		2007/0021229 A1	1/2007	Haack	
D574,908 S	8/2008	Hettinger et al.		2007/0049402 A1	3/2007	Sanchez et al.	
				2007/0298904 A1	12/2007	Dworzan	
				2009/0029800 A1	1/2009	Jones et al.	
				2009/0105008 A1	4/2009	Kuan et al.	
				2009/0170629 A1	7/2009	Hilton	

(56)

References Cited

U.S. PATENT DOCUMENTS

2009/0270196 A1 10/2009 Solheim et al.
2009/0305806 A1 12/2009 Campadore et al.
2009/0305807 A1 12/2009 Solheim et al.

* cited by examiner

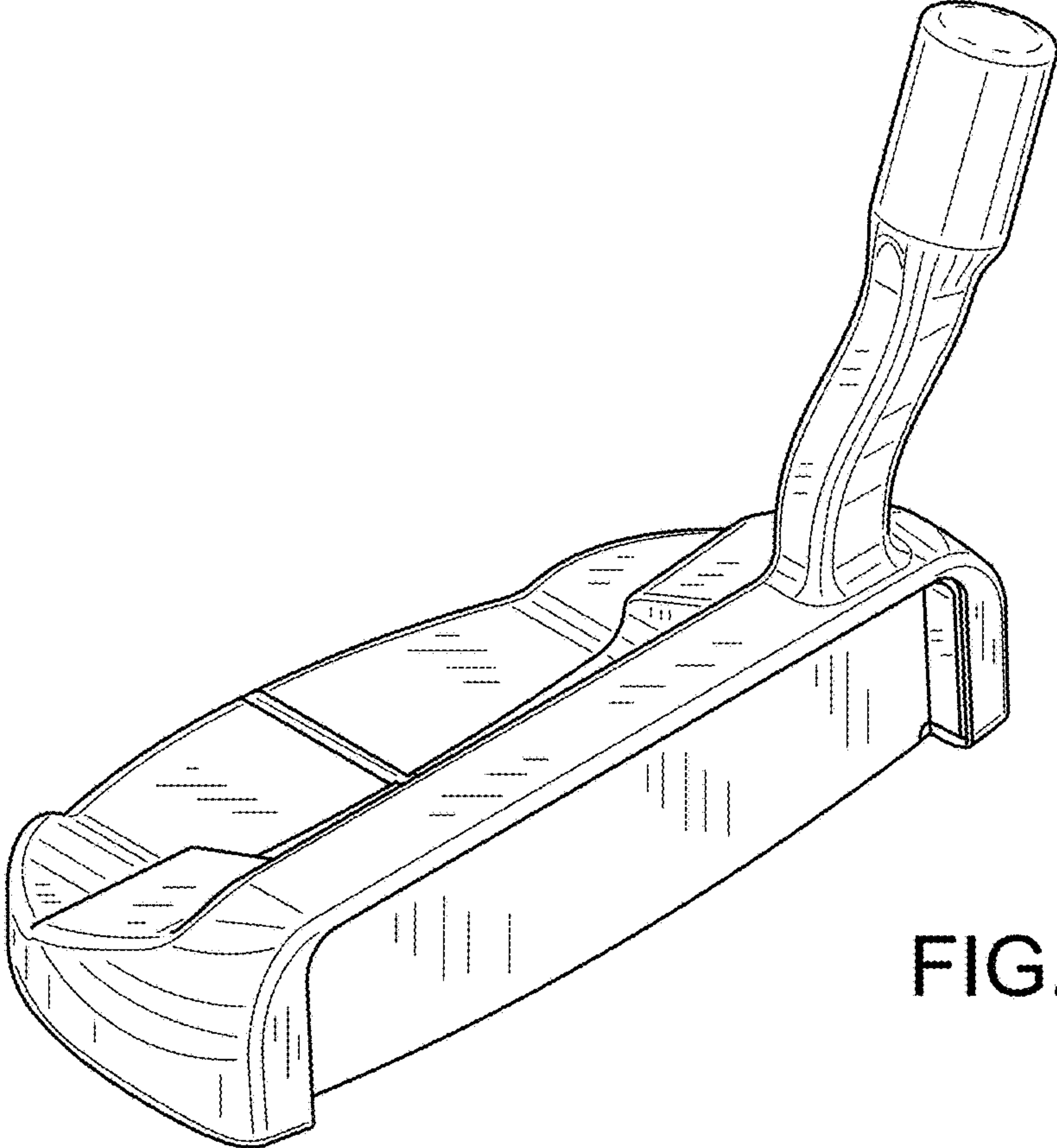


FIG. 1

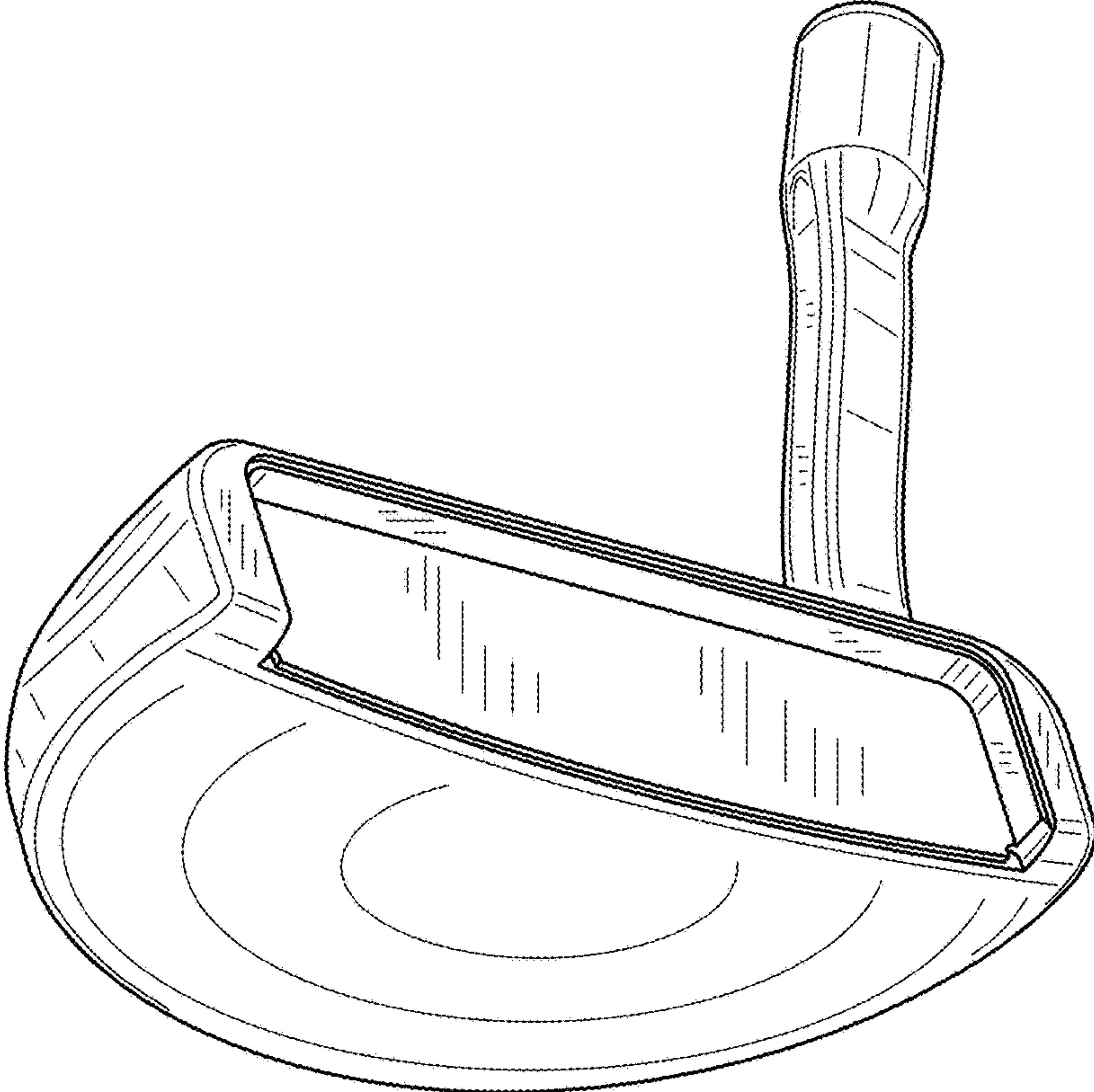


FIG. 2

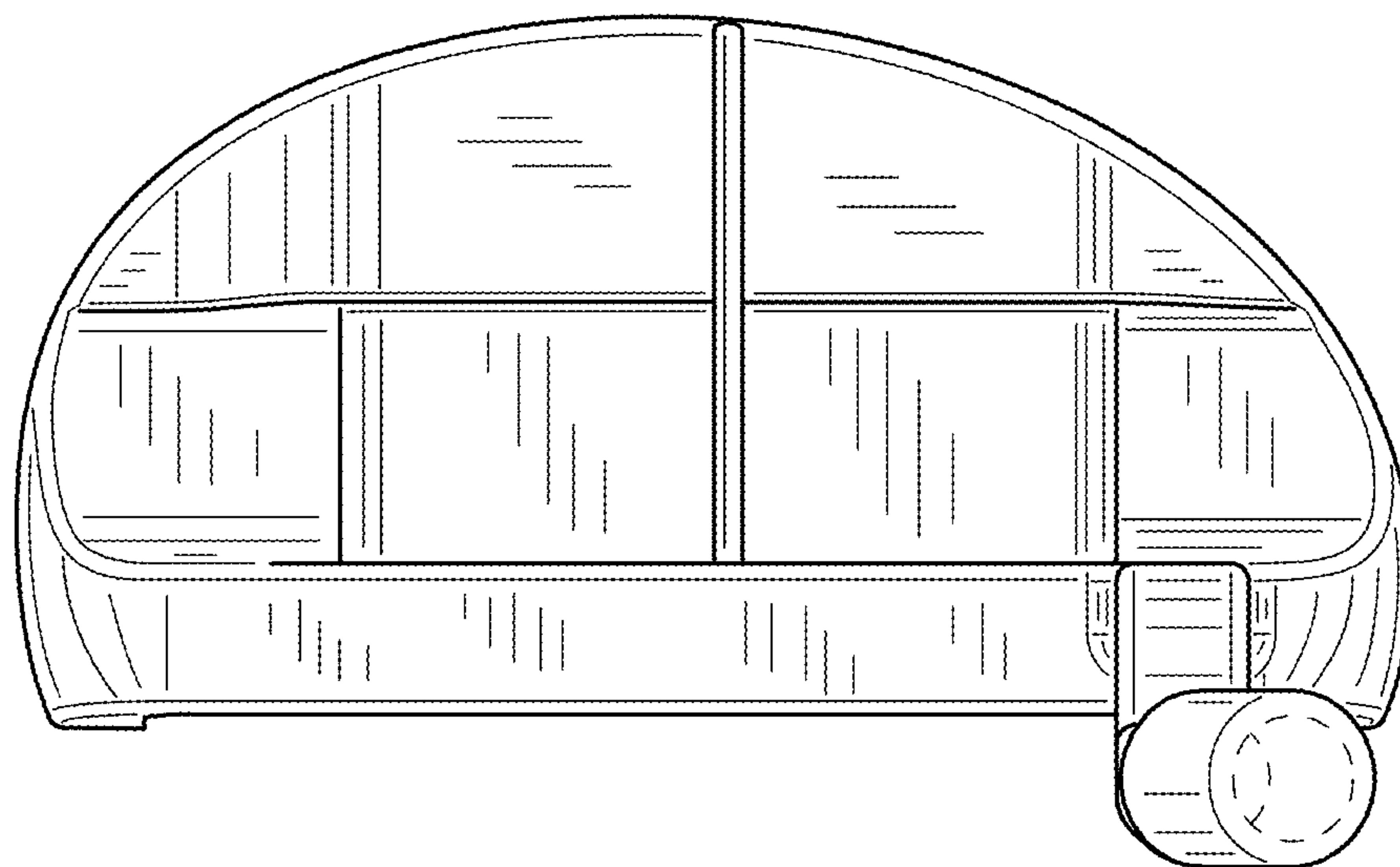


FIG.3

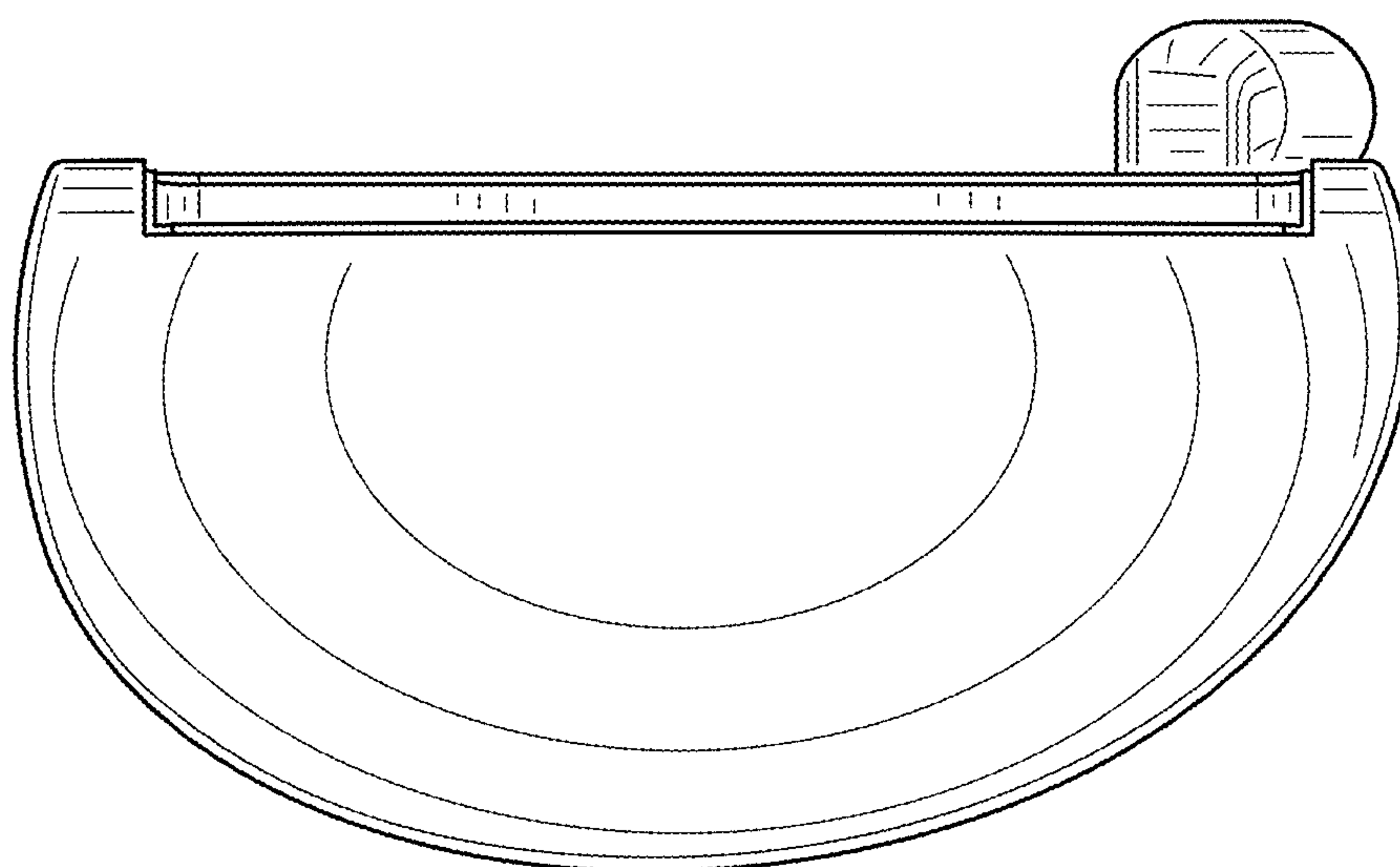


FIG.4

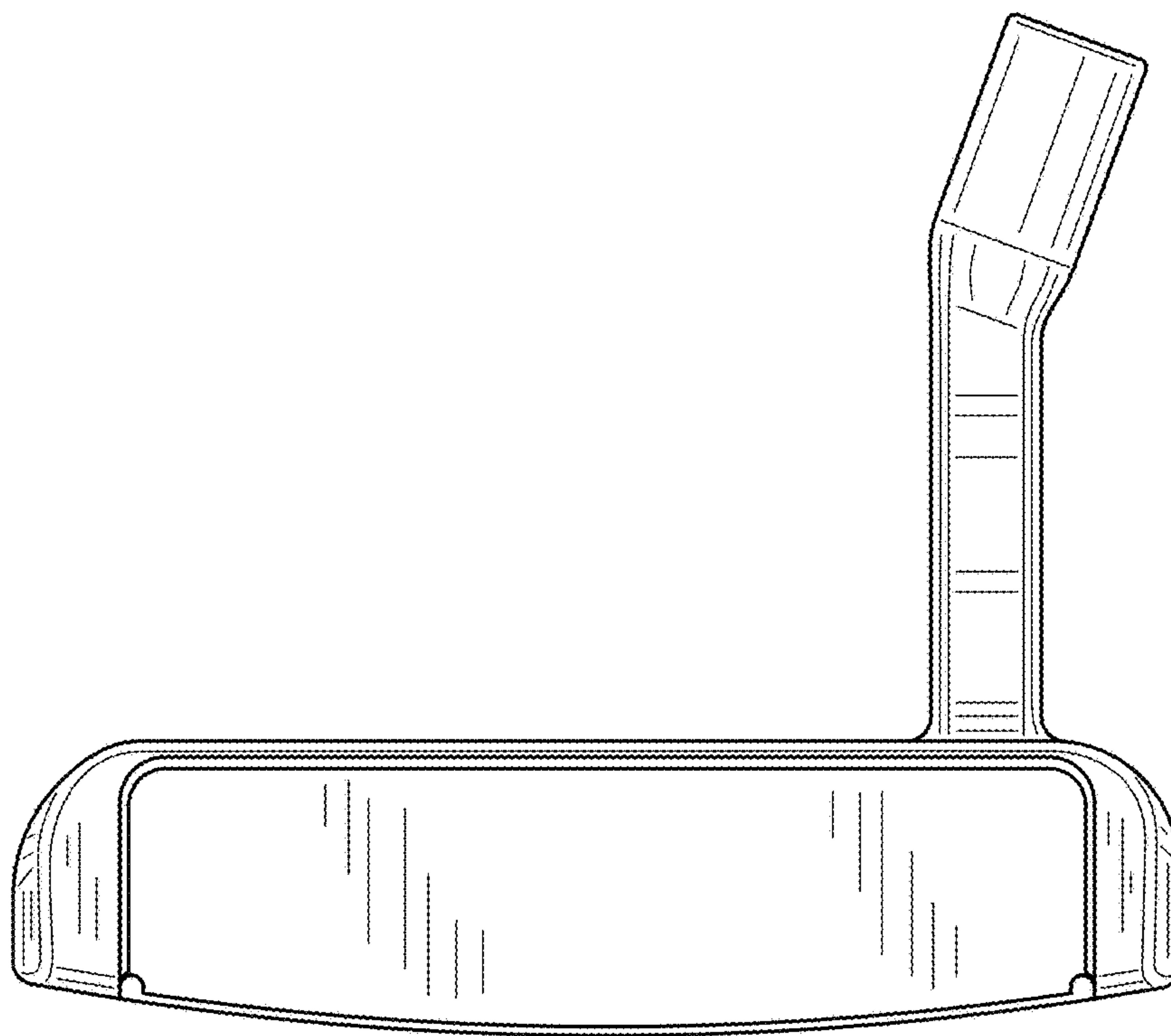


FIG.5

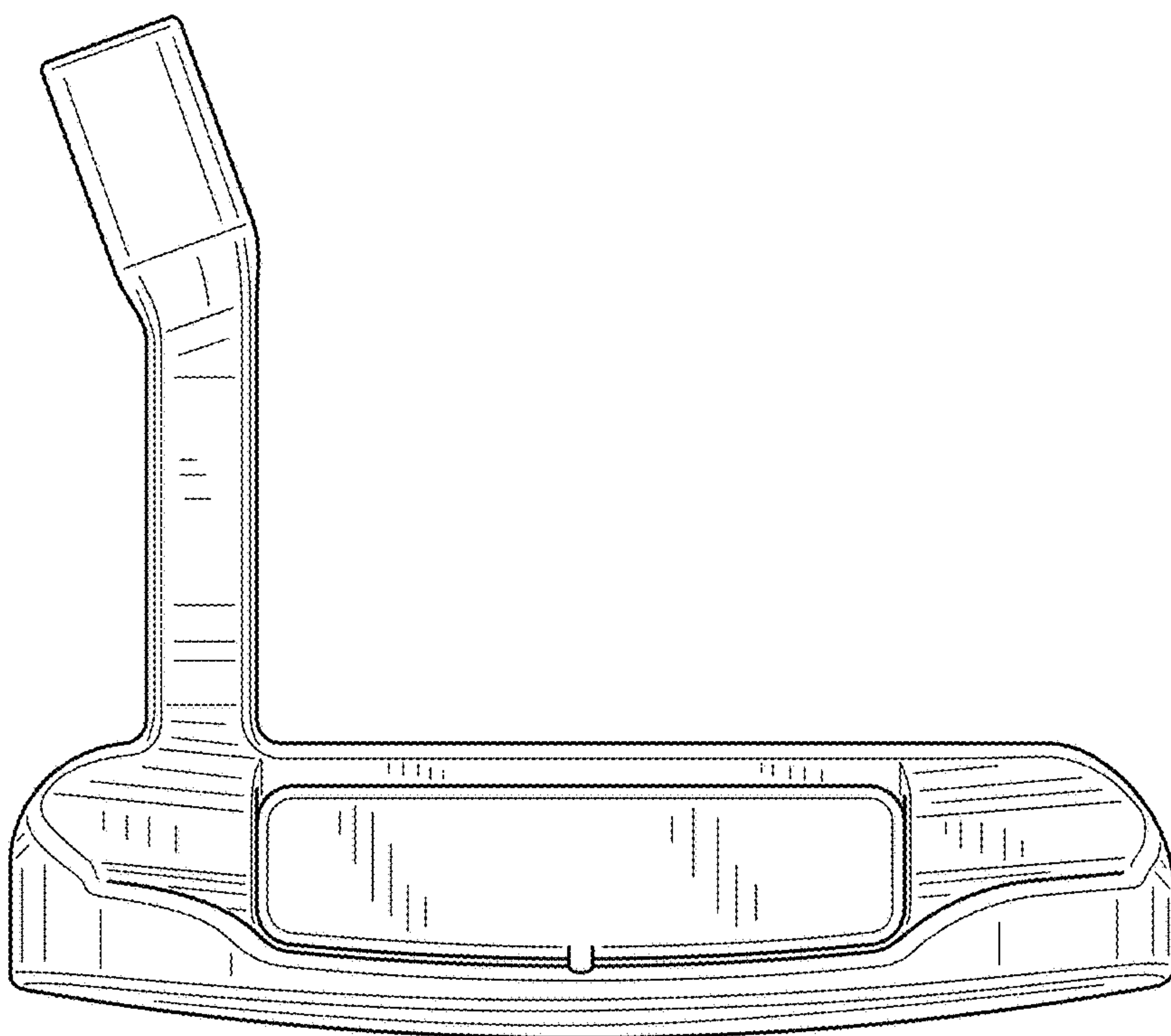


FIG.6

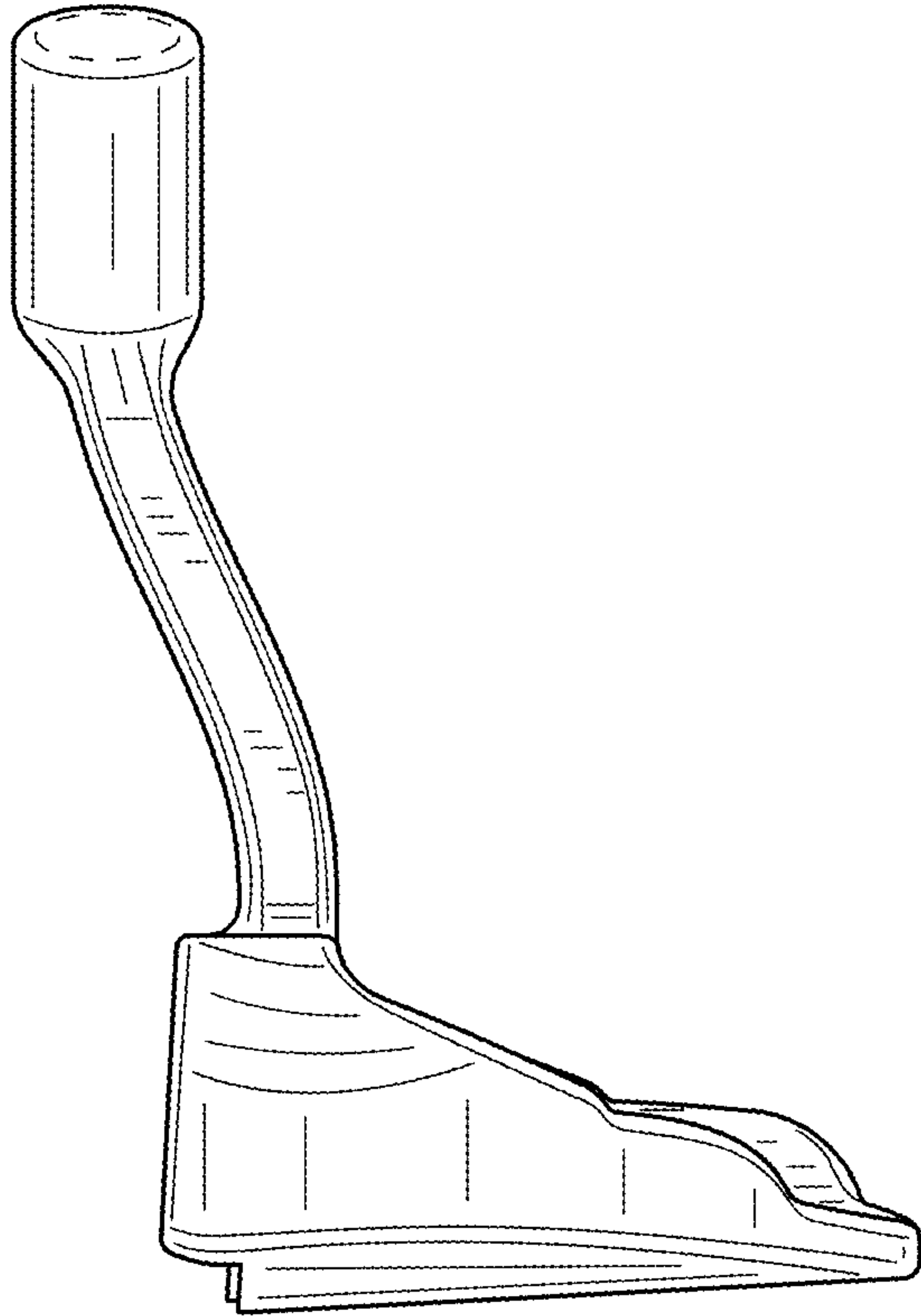


FIG. 7

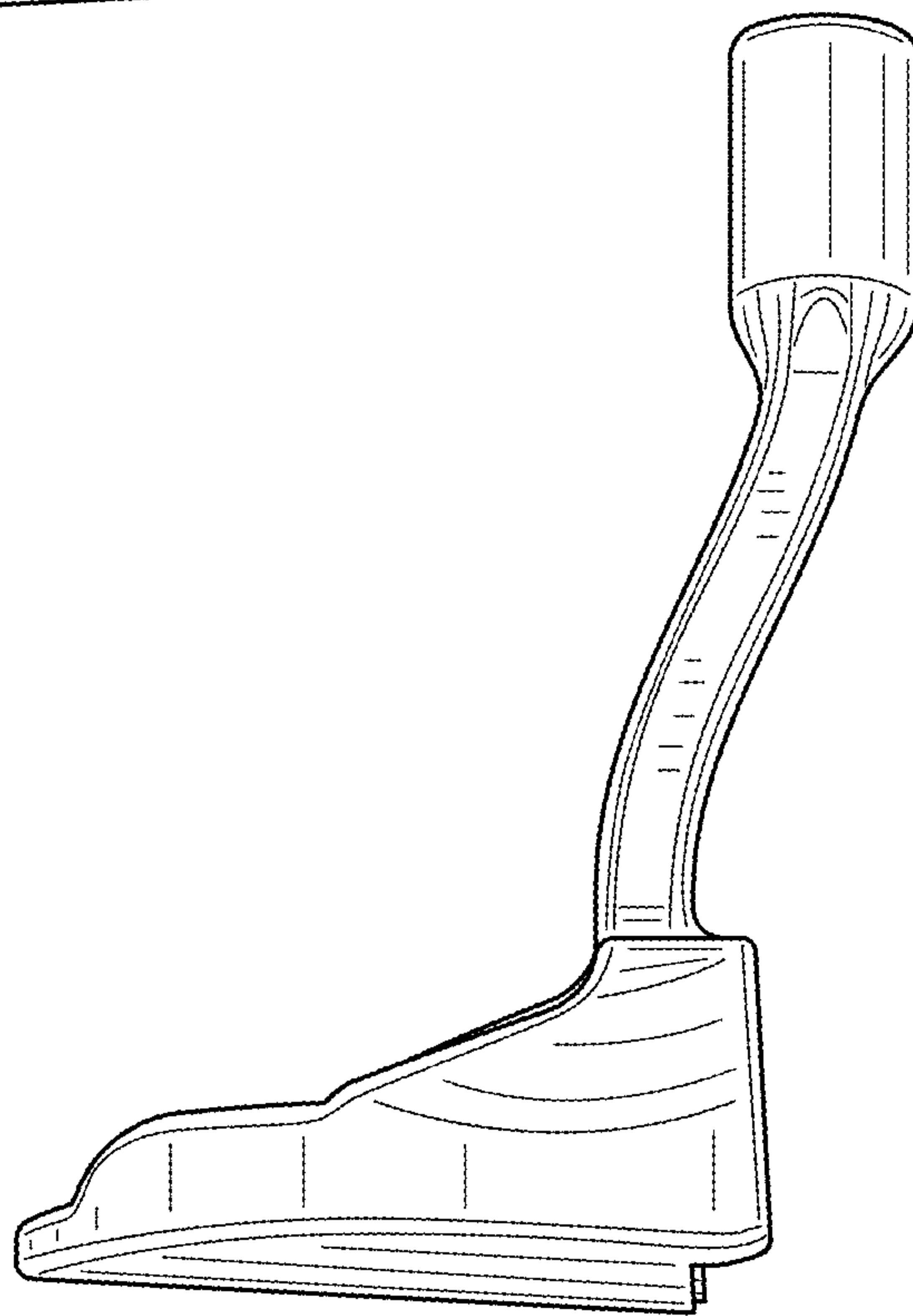


FIG. 8

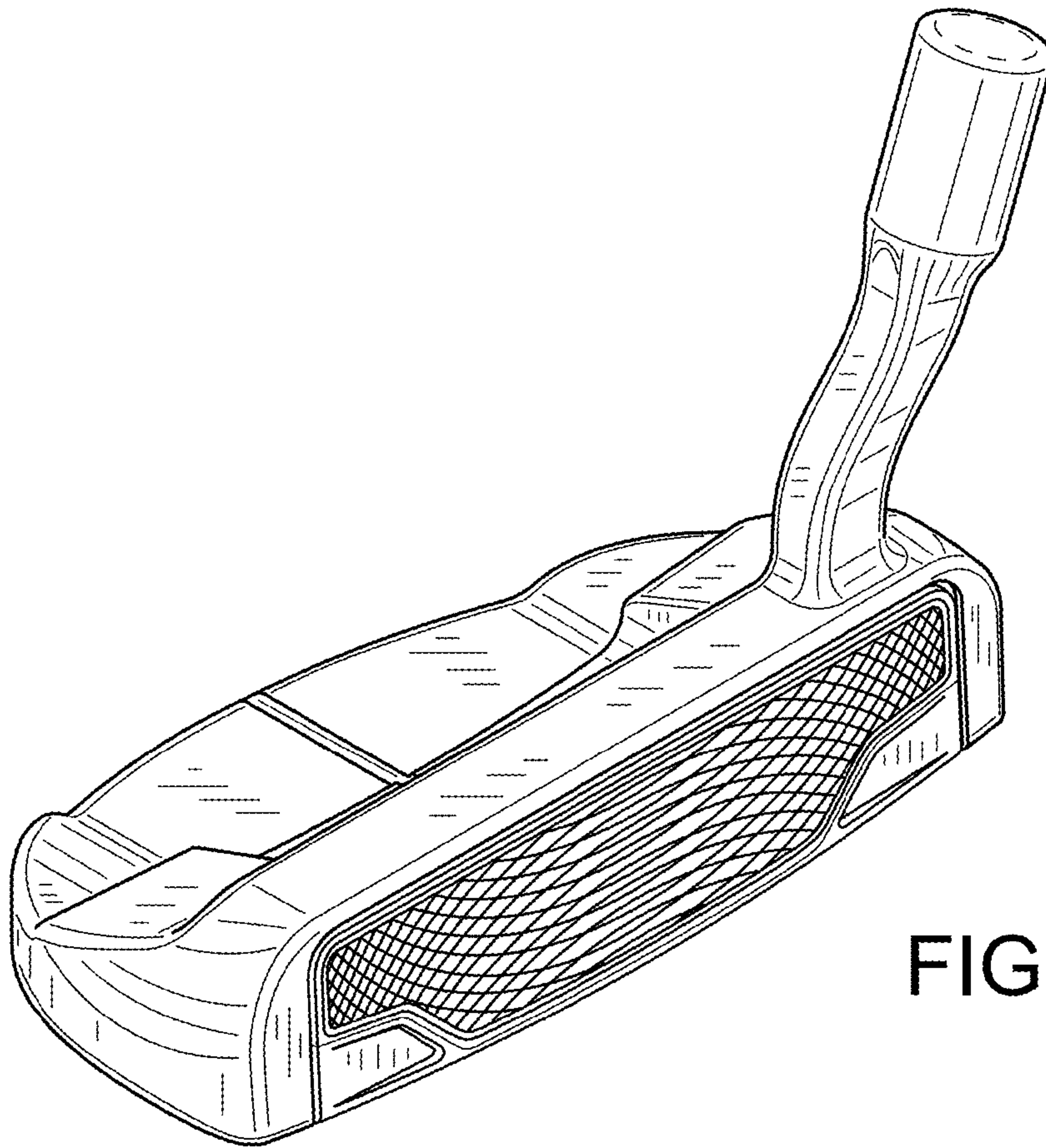


FIG. 9

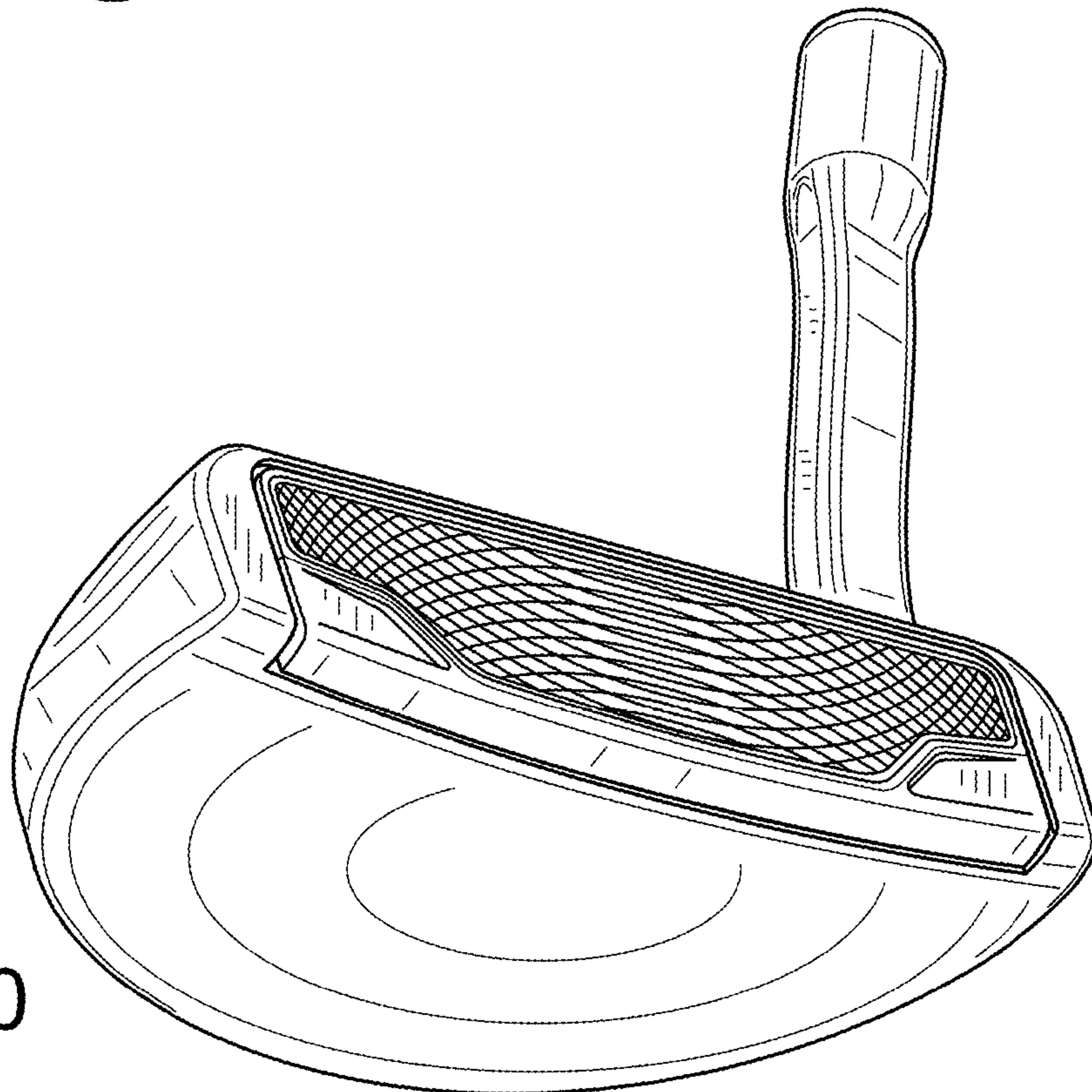


FIG. 10

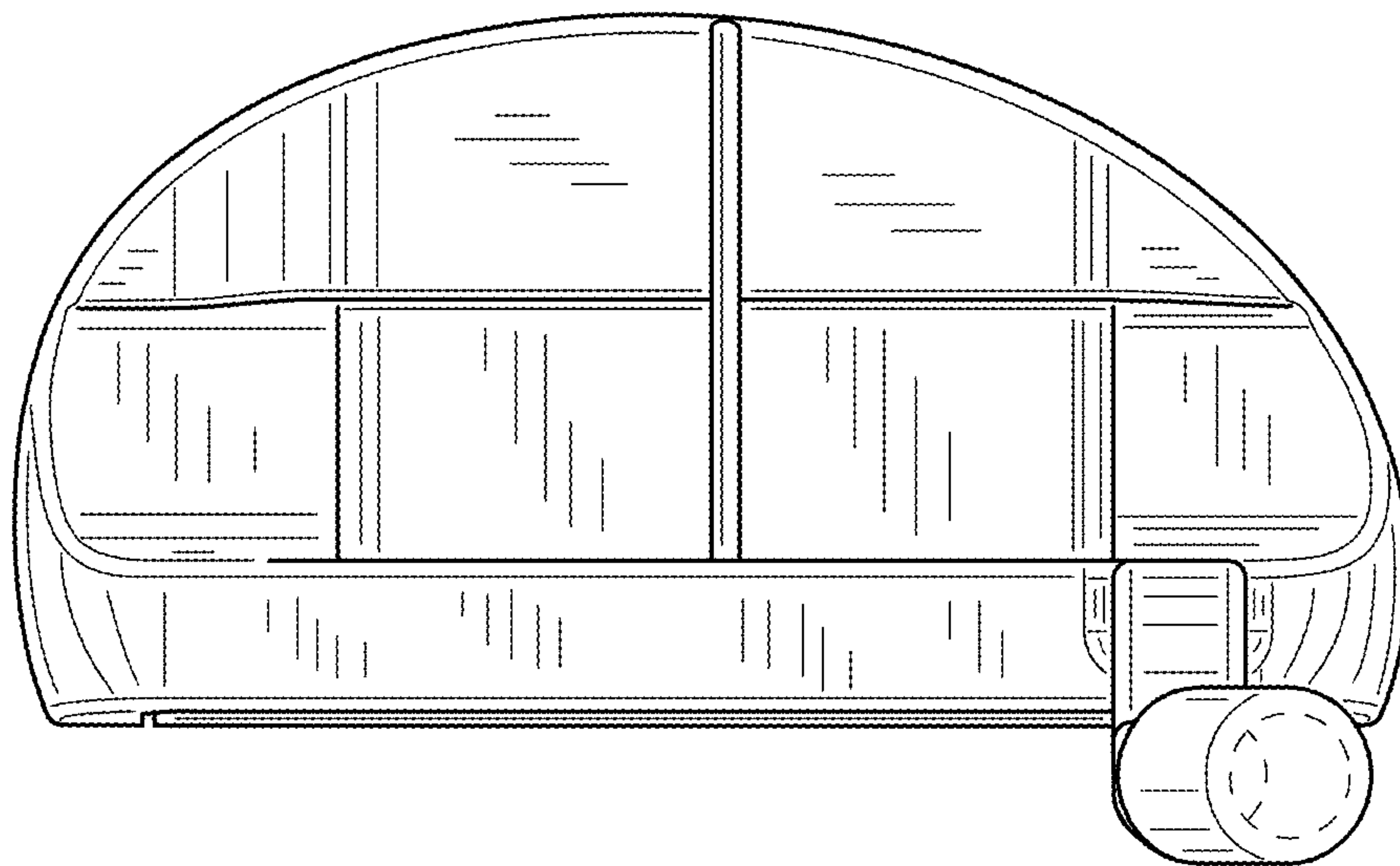


FIG. 11

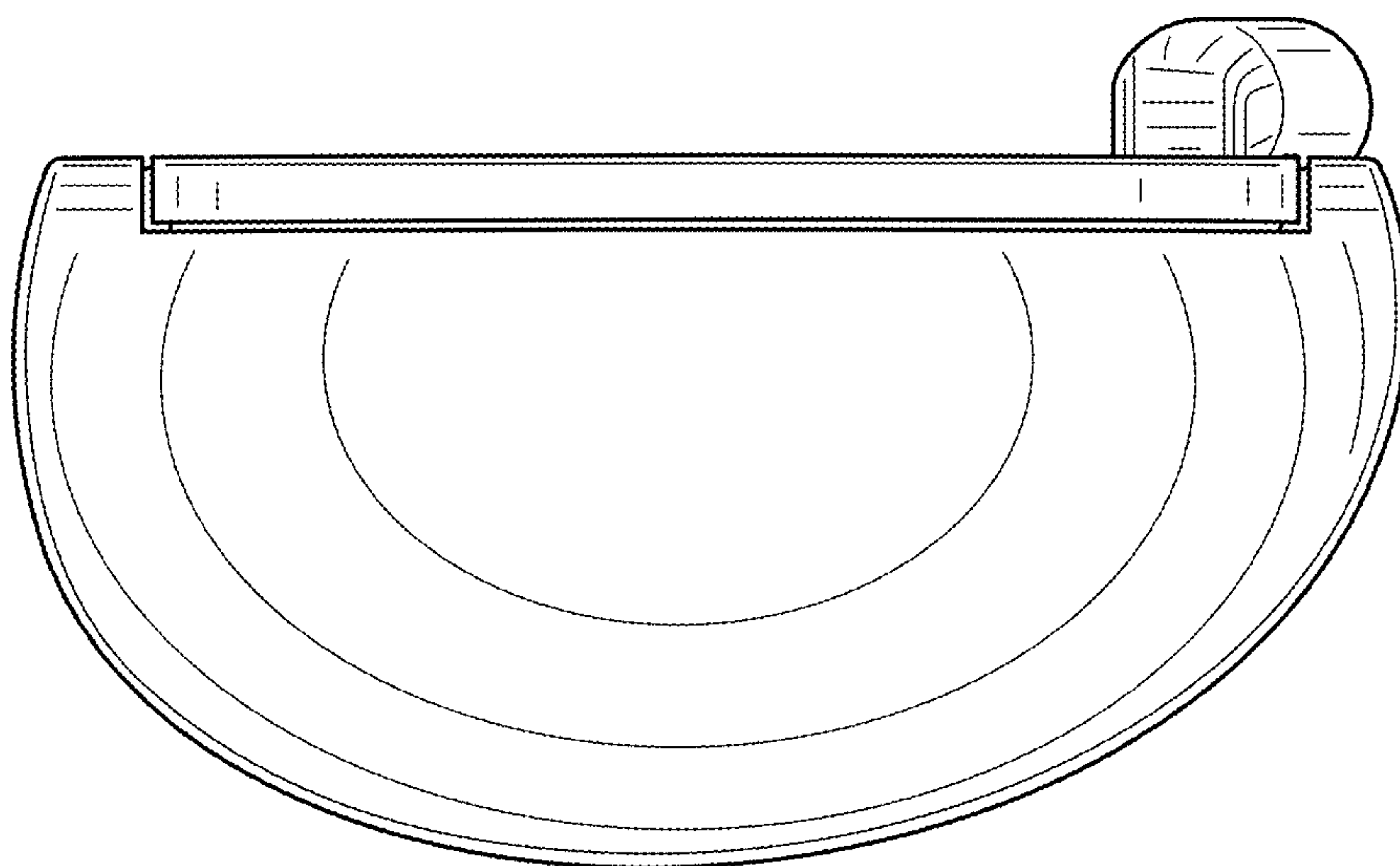


FIG. 12

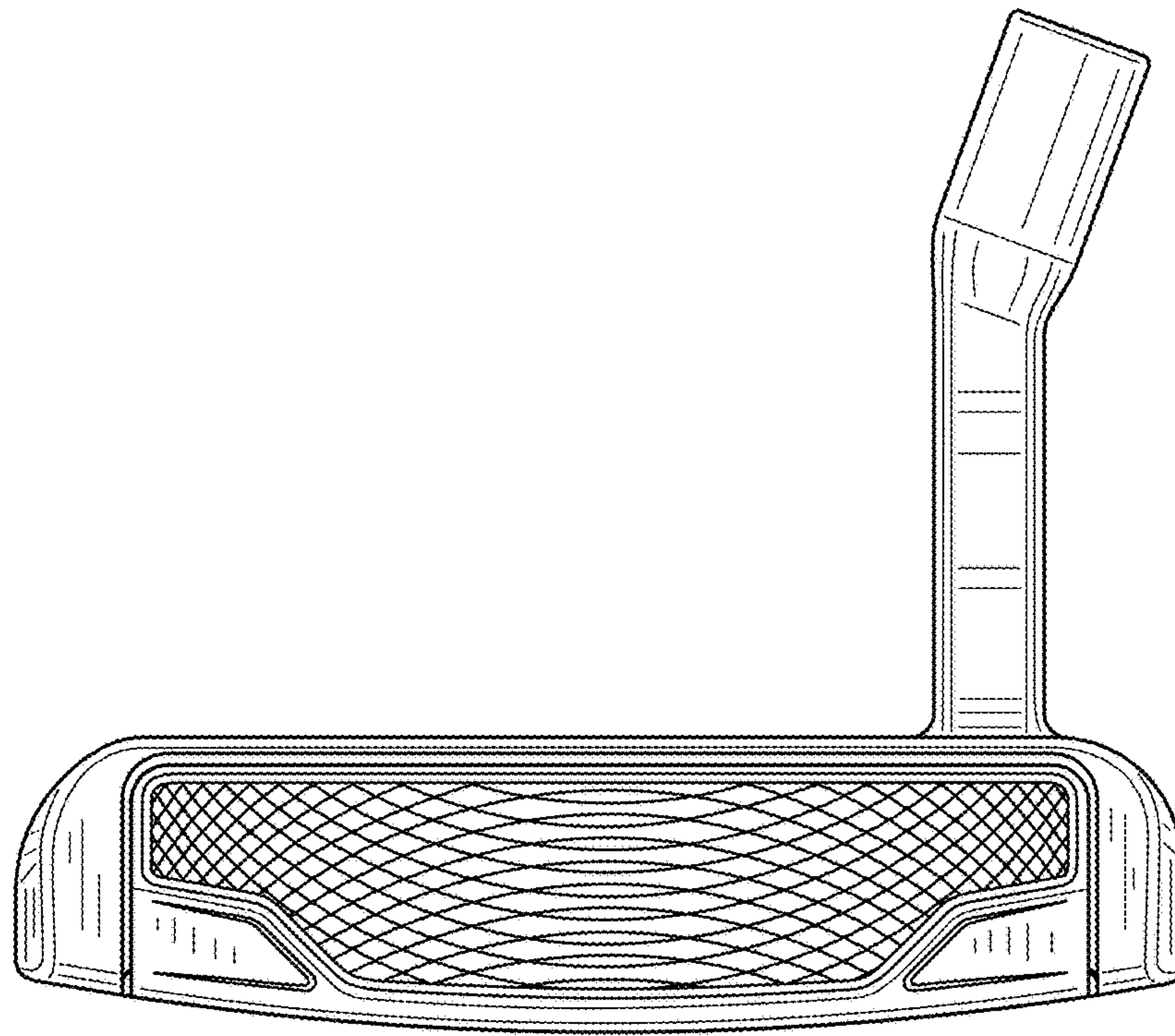


FIG.13

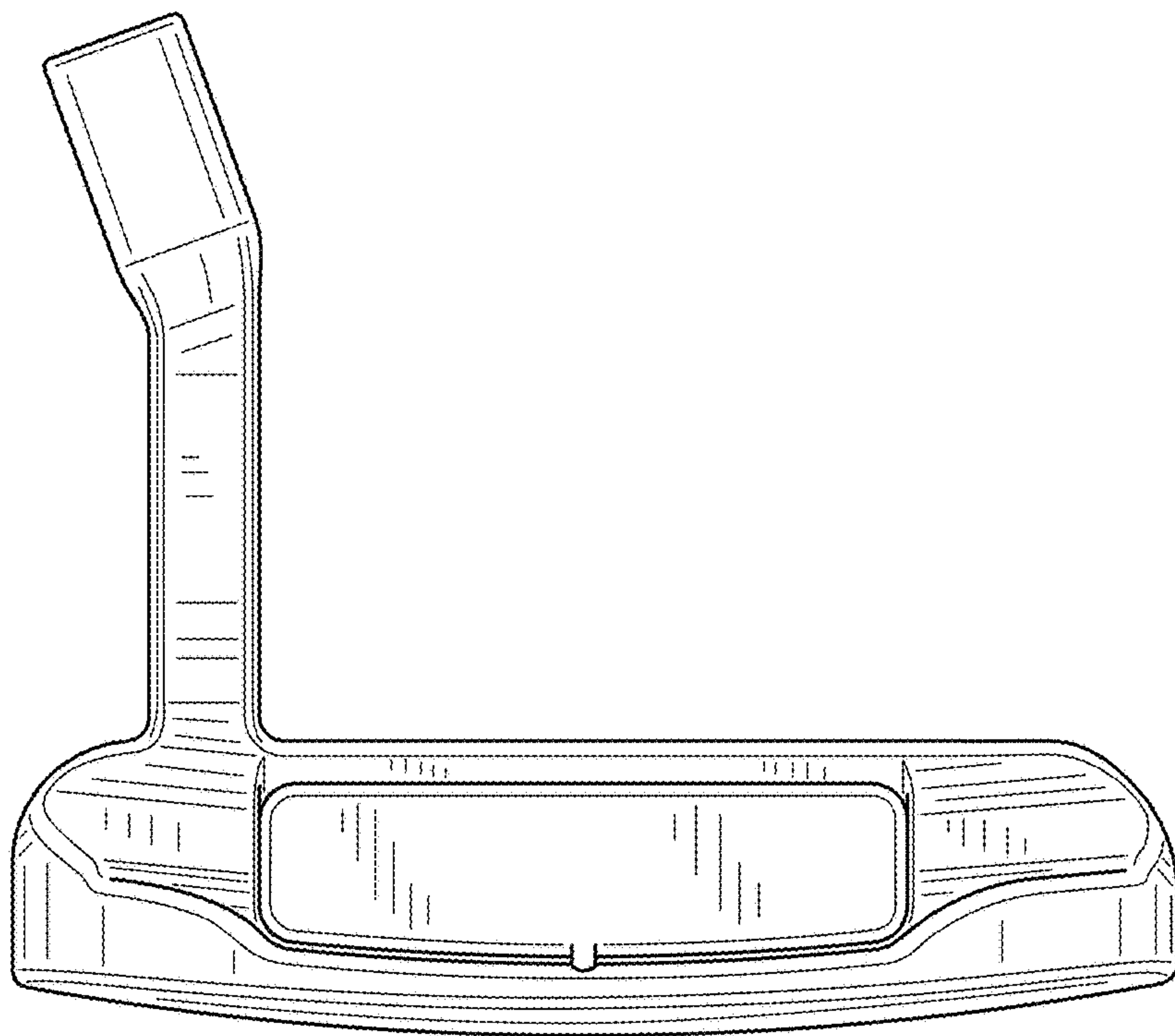


FIG.14

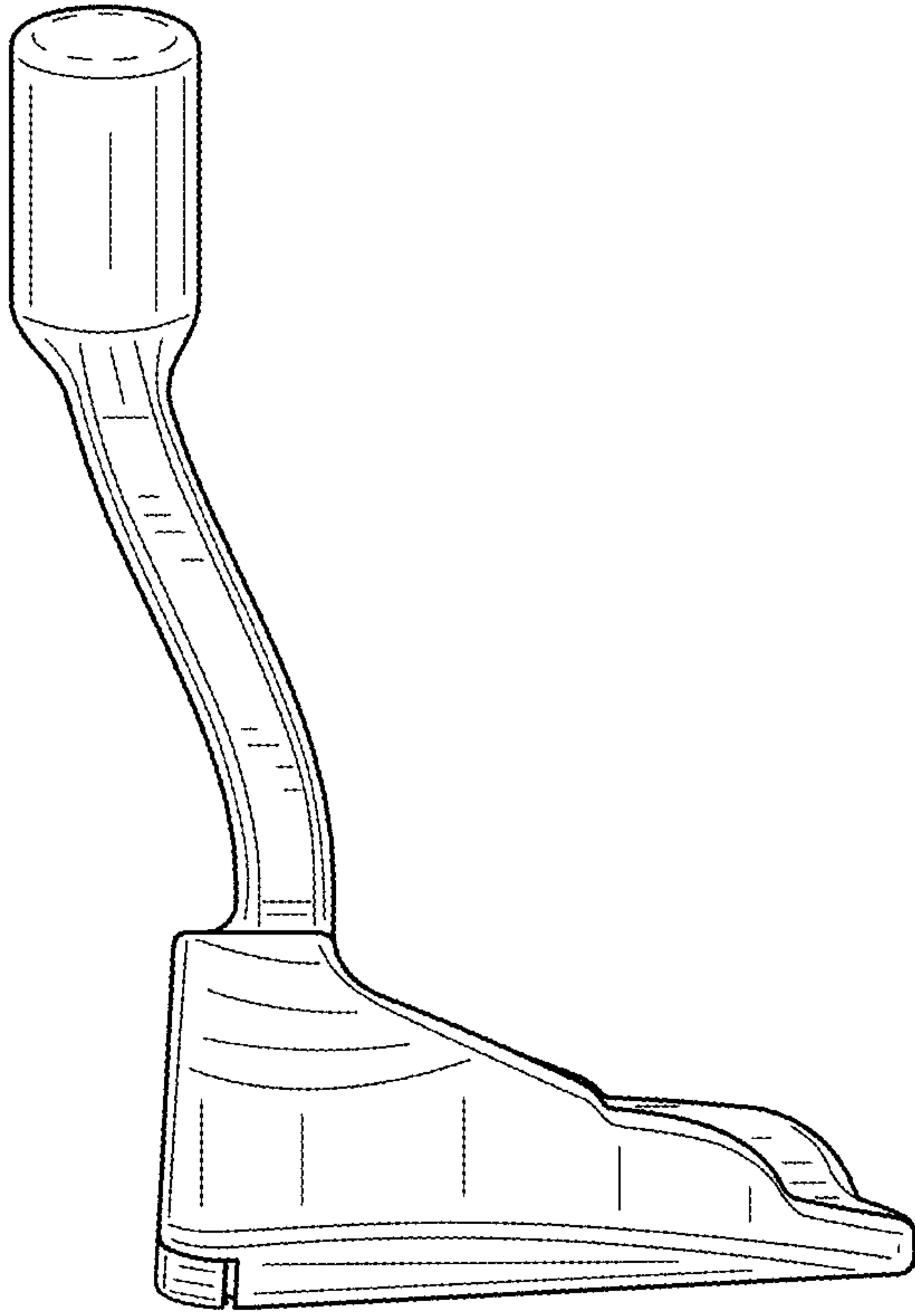


FIG. 15

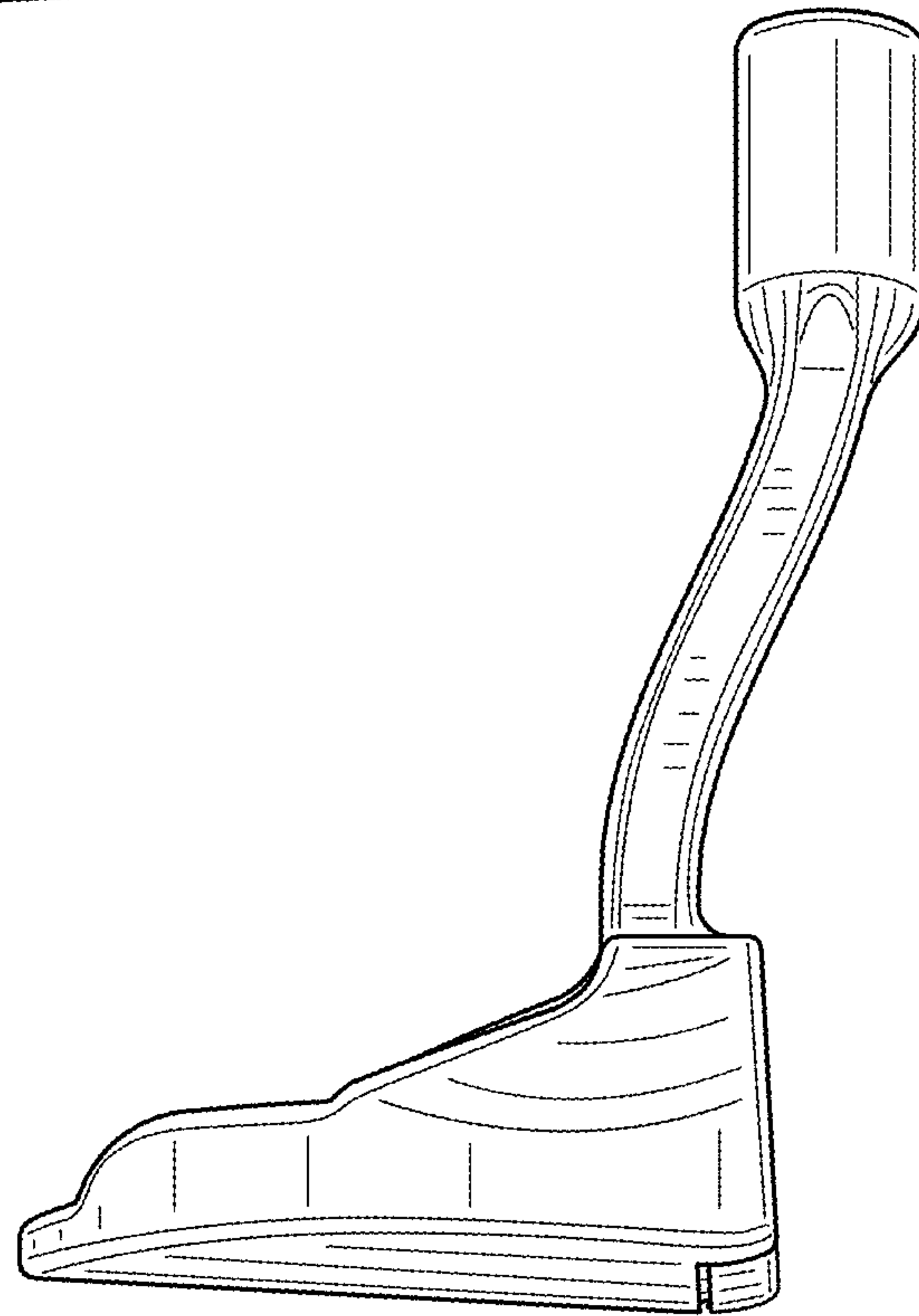


FIG. 16