



US00D844723S

(12) **United States Design Patent**
Nicolette

(10) **Patent No.:** **US D844,723 S**
(45) **Date of Patent:** **** Apr. 2, 2019**

(54) **GOLF CLUB HEAD**

DESCRIPTION

- (71) Applicant: **PARSONS XTREME GOLF, LLC**,
Scottsdale, AZ (US)
- (72) Inventor: **Michael R. Nicolette**, Scottsdale, AZ
(US)
- (73) Assignee: **PARSONS XTREME GOLF, LLC**,
Scottsdale, AZ (US)
- (**) Term: **15 Years**
- (21) Appl. No.: **29/623,041**
- (22) Filed: **Oct. 21, 2017**

Related U.S. Application Data

- (63) Continuation-in-part of application No. 29/619,672,
filed on Sep. 29, 2017, now abandoned, which is a
(Continued)
- (51) **LOC (11) Cl.** **21-02**
- (52) **U.S. Cl.**
USPC **D21/743**
- (58) **Field of Classification Search**
USPC D21/736-746, 759
(Continued)

(56) **References Cited**

U.S. PATENT DOCUMENTS

- 922,444 A 5/1909 Youds
 - RE19,178 E 5/1934 Spiker
- (Continued)

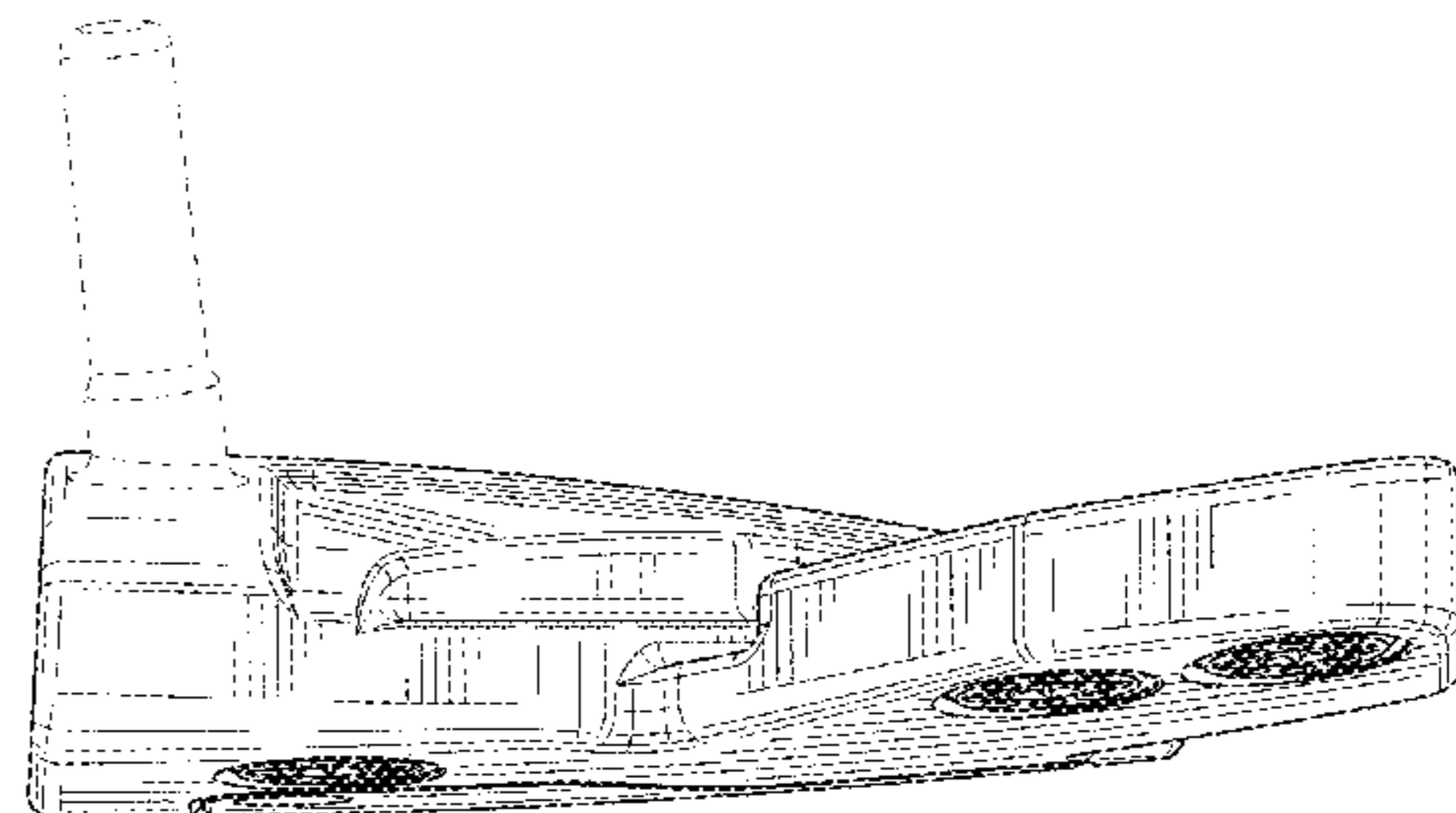
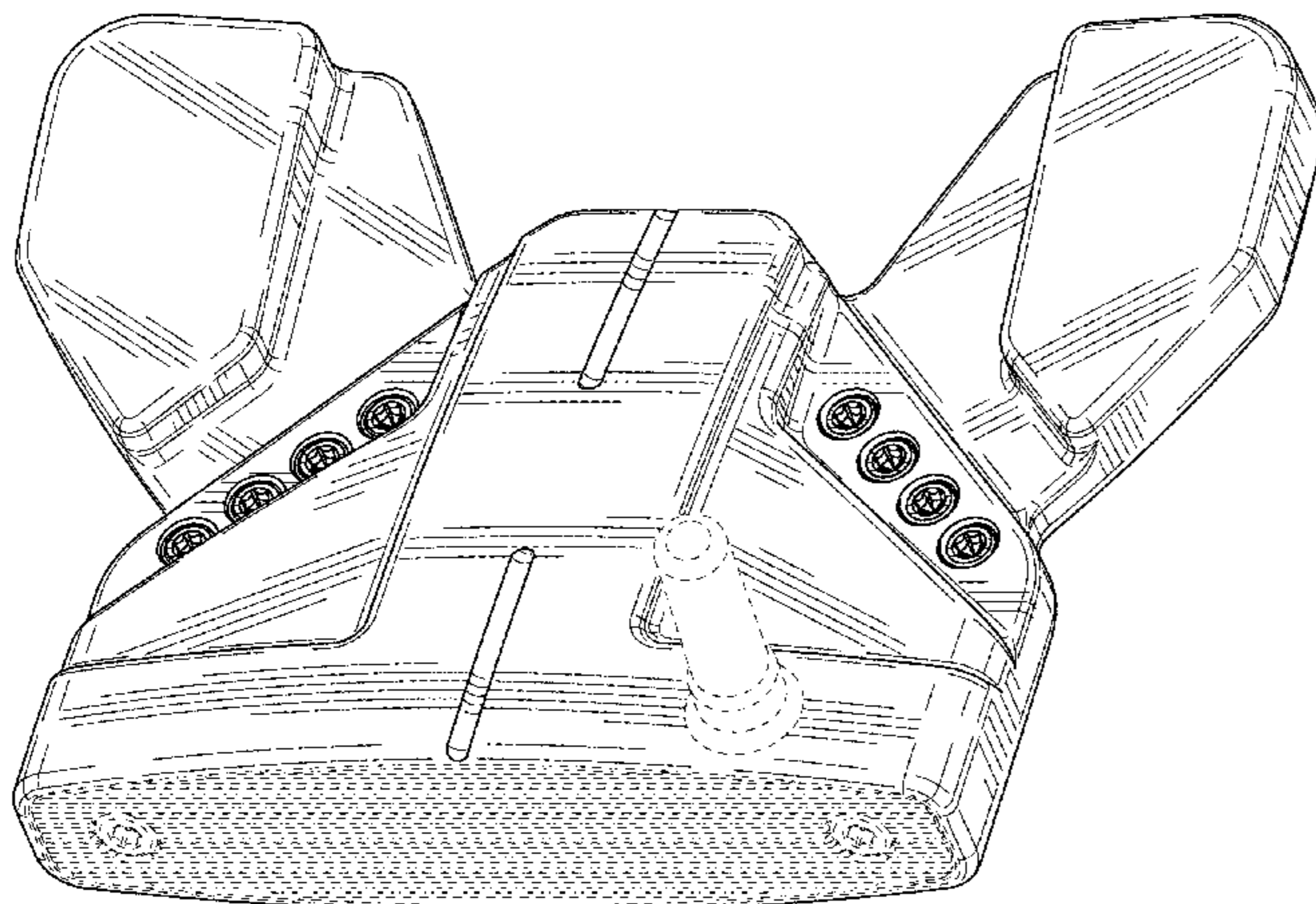
Primary Examiner — Mitchell I. Siegel

(57) **CLAIM**

The ornamental design for a golf club head, as shown and described.

FIG. 1 is a top perspective view of a golf club head;
 FIG. 2 is a bottom perspective view of the golf club head of FIG. 1;
 FIG. 3 is a front elevational view of the golf club head of FIG. 1;
 FIG. 4 is a rear elevational view of the golf club head of FIG. 1;
 FIG. 5 is a top view of the golf club head of FIG. 1;
 FIG. 6 is a bottom view of the golf club head of FIG. 1;
 FIG. 7 is a left side view of the golf club head of FIG. 1;
 FIG. 8 is a right side view of the golf club head of FIG. 1;
 FIG. 9 is a top perspective view of a second embodiment of a golf club head;
 FIG. 10 is a bottom perspective view of the golf club head of FIG. 9;
 FIG. 11 is a front elevational view of the golf club head of FIG. 9;
 FIG. 12 is a rear elevational view of the golf club head of FIG. 9;
 FIG. 13 is a top view of the golf club head of FIG. 9;
 FIG. 14 is a bottom view of the golf club head of FIG. 9;
 FIG. 15 is a left side view of the golf club head of FIG. 9;
 FIG. 16 is a right side view of the golf club head of FIG. 9;
 FIG. 17 is a top perspective view of a third embodiment of a golf club head;
 FIG. 18 is a bottom perspective view of the golf club head of FIG. 17;
 FIG. 19 is a front elevational view of the golf club head of FIG. 17;
 FIG. 20 is a rear elevational view of the golf club head of FIG. 17;
 FIG. 21 is a top view of the golf club head of FIG. 17;
 FIG. 22 is a bottom view of the golf club head of FIG. 17;
 FIG. 23 is a left side view of the golf club head of FIG. 17;
 and,
 FIG. 24 is a right side view of the golf club head of FIG. 17.
 The broken line showing of portions of the golf club head is included for the purpose of illustrating unclaimed subject matter and forms no part of the claimed design.

1 Claim, 21 Drawing Sheets



Related U.S. Application Data

continuation-in-part of application No. 29/619,665, filed on Sep. 29, 2017, now abandoned, which is a continuation-in-part of application No. 29/613,841, filed on Aug. 14, 2017, now abandoned, which is a continuation-in-part of application No. 29/612,843, filed on Aug. 4, 2017, now abandoned.

- (58) **Field of Classification Search**
 CPC A63B 53/00; A63B 53/04; A63B 53/007;
 A63B 53/065; A63B 53/0487; A63B
 60/00; A63B 60/46
 See application file for complete search history.

(56) **References Cited**

U.S. PATENT DOCUMENTS

4,043,562 A 8/1977 Shillington
 4,754,977 A 7/1988 Sahm
 4,869,507 A 9/1989 Sahm
 D335,317 S 5/1993 Shearer
 D335,692 S 5/1993 Antonious
 D336,757 S 6/1993 Antonious
 D350,582 S 9/1994 Miansian et al.
 5,429,366 A 7/1995 McCabe
 D363,101 S 10/1995 Sturm
 D365,864 S 1/1996 Sturm
 5,489,097 A 2/1996 Simmons
 D368,751 S 4/1996 Rife
 D369,393 S 4/1996 Takahashi et al.
 5,571,053 A 11/1996 Lane
 D378,688 S 4/1997 Cameron
 D385,609 S 10/1997 Cameron
 5,683,307 A 11/1997 Rife
 D388,143 S 12/1997 Huan-Chiang
 D389,207 S 1/1998 Cameron
 D396,685 S 9/1998 Masuda
 D399,290 S 10/1998 Sizemore, Jr.
 D399,911 S 10/1998 Nicolette et al.
 5,839,974 A 11/1998 McAllister
 D405,836 S 2/1999 Nicolette et al.
 D409,701 S 5/1999 Ashcraft et al.
 5,924,938 A 7/1999 Hines
 D422,655 S 4/2000 Hicks
 D426,276 S 6/2000 Besnard et al.
 D431,854 S 10/2000 Cameron
 D432,192 S 10/2000 Hicks
 D436,151 S 1/2001 Nicolette et al.
 D437,374 S 2/2001 Cameron
 D441,820 S 5/2001 Nicolette et al.
 D443,668 S 6/2001 Nicolette et al.
 D443,905 S 6/2001 Nicolette et al.
 D444,833 S 7/2001 Wells et al.
 6,264,571 B1 7/2001 Lekavich
 D449,664 S 10/2001 Beebe et al.
 D449,865 S 10/2001 Fife, Jr. et al.
 D450,799 S 11/2001 Nicolette et al.
 D451,973 S 12/2001 Wells et al.
 6,348,014 B1 2/2002 Chiu
 6,354,959 B1 3/2002 Nicolette et al.
 6,394,910 B1 5/2002 McCarthy
 D472,949 S 4/2003 Serrano
 D474,821 S 5/2003 Wells et al.
 D474,949 S 5/2003 Schaffeld et al.
 D483,086 S 12/2003 Schweigert et al.
 D486,872 S 2/2004 Schweigert et al.
 D488,200 S 4/2004 Olsavsky
 D498,276 S 11/2004 Schweigert et al.
 6,902,496 B2 6/2005 Solheim et al.
 D512,116 S 11/2005 Mirafior et al.
 6,988,956 B2 1/2006 Cover et al.
 D520,088 S 5/2006 Parr
 D531,242 S 10/2006 Adams
 D532,067 S 11/2006 Soracco et al.
 7,153,220 B2 12/2006 Lo
 D534,595 S 1/2007 Hasebe

7,156,752 B1 1/2007 Bennett
 D536,401 S 2/2007 Kawami
 D536,403 S 2/2007 Kawami
 D538,371 S 3/2007 Kawami
 7,204,765 B2 4/2007 Cover et al.
 D542,869 S 5/2007 Adams
 D543,598 S 5/2007 Kuan et al.
 D543,601 S 5/2007 Kawami
 D555,219 S 11/2007 Lin
 D556,277 S 11/2007 Broom
 D561,854 S 2/2008 Morris
 7,331,876 B2 2/2008 Klein
 7,351,162 B2 4/2008 Soracco et al.
 D569,461 S 5/2008 Morris
 D569,930 S 5/2008 Nehrbas
 7,396,289 B2 7/2008 Soracco et al.
 D577,085 S 9/2008 Nicolette et al.
 D577,086 S 9/2008 Nicolette et al.
 D579,506 S 10/2008 Nicolette et al.
 D579,995 S 11/2008 Nicolette et al.
 D582,497 S 12/2008 Rollinson
 7,473,189 B2 1/2009 Schweigert et al.
 7,491,131 B2 2/2009 Vinton
 D595,370 S * 6/2009 Ines D21/736
 D595,793 S 7/2009 Rollinson
 D599,425 S 9/2009 Laub
 D600,295 S * 9/2009 Meeks D21/744
 D600,762 S * 9/2009 Serrano D21/743
 D600,763 S 9/2009 Cameron
 D606,139 S * 12/2009 Ines D21/736
 7,744,485 B2 6/2010 Jones et al.
 D620,993 S 8/2010 Laub
 D621,461 S 8/2010 Serrano
 D623,709 S 9/2010 Serrano et al.
 D631,925 S 2/2011 Broom
 7,887,432 B2 2/2011 Jones et al.
 7,909,707 B2 3/2011 Klein
 7,918,745 B2 4/2011 Morris et al.
 D636,891 S 5/2011 Nicolette et al.
 D638,891 S * 5/2011 Nicolette D21/736
 D642,643 S 8/2011 Nicolette et al.
 D643,485 S * 8/2011 Nicolette D21/736
 D645,104 S 9/2011 Nicolette et al.
 8,096,039 B2 1/2012 Soracco et al.
 D653,718 S 2/2012 Stokke et al.
 D661,753 S 6/2012 Cameron et al.
 D666,260 S 8/2012 Cynn
 8,376,878 B2 2/2013 Bennett et al.
 D688,339 S 8/2013 Hilton et al.
 D688,341 S 8/2013 Rollinson
 D691,226 S 10/2013 Hilton et al.
 D699,308 S 2/2014 Rollinson
 D704,782 S 5/2014 Rollinson
 8,721,472 B2 5/2014 Kuan et al.
 8,790,193 B2 7/2014 Serrano et al.
 D711,483 S 8/2014 Wong
 D715,388 S 10/2014 Serrano
 D722,350 S 2/2015 Schweigert
 D722,351 S 2/2015 Parsons
 D722,352 S 2/2015 Nicolette et al.
 D723,120 S 2/2015 Nicolette
 D724,164 S 3/2015 Schweigert et al.
 D725,208 S 3/2015 Schweigert
 D726,265 S 4/2015 Nicolette
 D726,846 S 4/2015 Schweigert
 D730,462 S 5/2015 Becktor
 D732,122 S 6/2015 Becktor
 D732,618 S 6/2015 Becktor
 D733,234 S 6/2015 Nicolette
 D738,447 S 9/2015 Schweigert
 D738,449 S 9/2015 Schweigert
 D739,487 S 9/2015 Schweigert
 D741,426 S 10/2015 Schweigert
 D748,213 S 1/2016 Parsons et al.
 D748,215 S 1/2016 Parsons et al.
 9,233,263 B2 1/2016 Schweigert
 D753,252 S 4/2016 Schweigert
 9,440,124 B2 9/2016 Parsons et al.
 D783,745 S * 4/2017 Chen D21/743

(56)

References Cited

U.S. PATENT DOCUMENTS

D809,616	S	*	2/2018	Toulon	D21/736
D824,462	S	*	7/2018	Bruschi	D21/736
D825,699	S	*	8/2018	Sillies	D21/759
D827,742	S	*	9/2018	Weaver	D21/736
2007/0142122	A1		6/2007	Bonneau	
2007/0207875	A1		9/2007	Kuan et al.	
2007/0238548	A1		10/2007	Johnson	
2008/0139333	A1		6/2008	Klein	
2008/0146372	A1		6/2008	John	
2008/0176672	A1		7/2008	Roach et al.	
2011/0165959	A1		7/2011	Klein	
2013/0165256	A1		6/2013	Stevenson	
2013/0210537	A1		8/2013	Ainscough et al.	

* cited by examiner

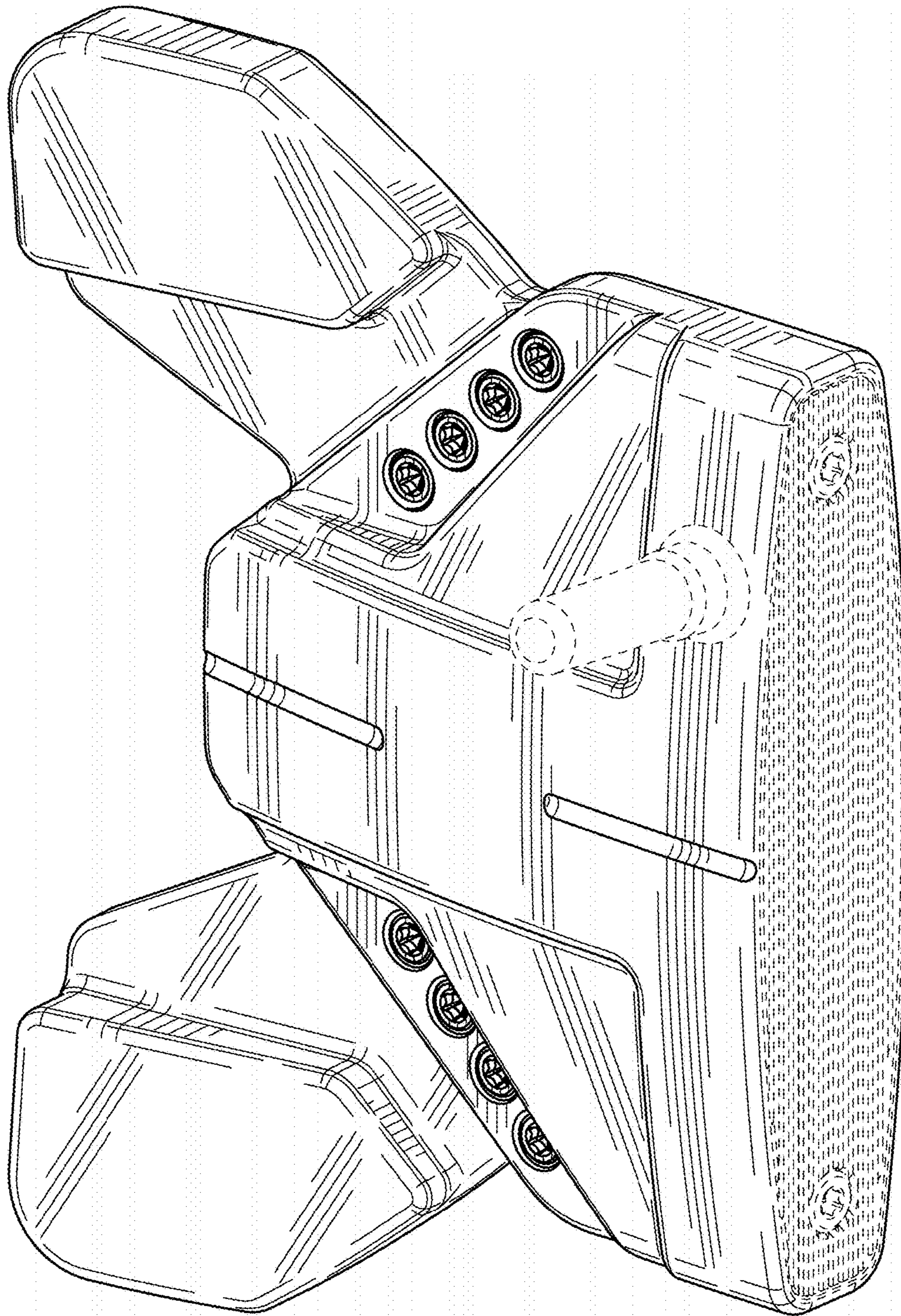


FIG. 1

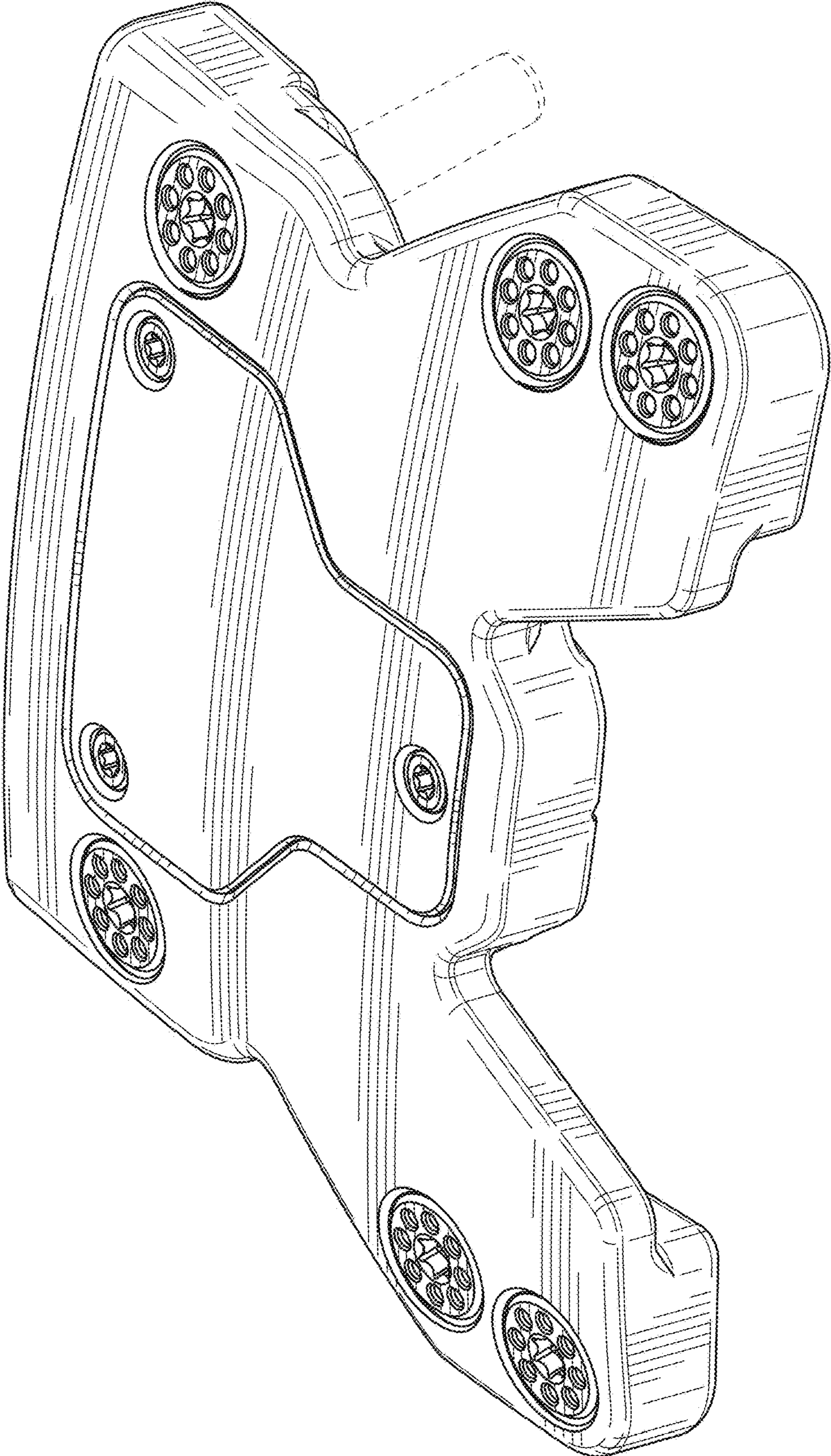


FIG. 2

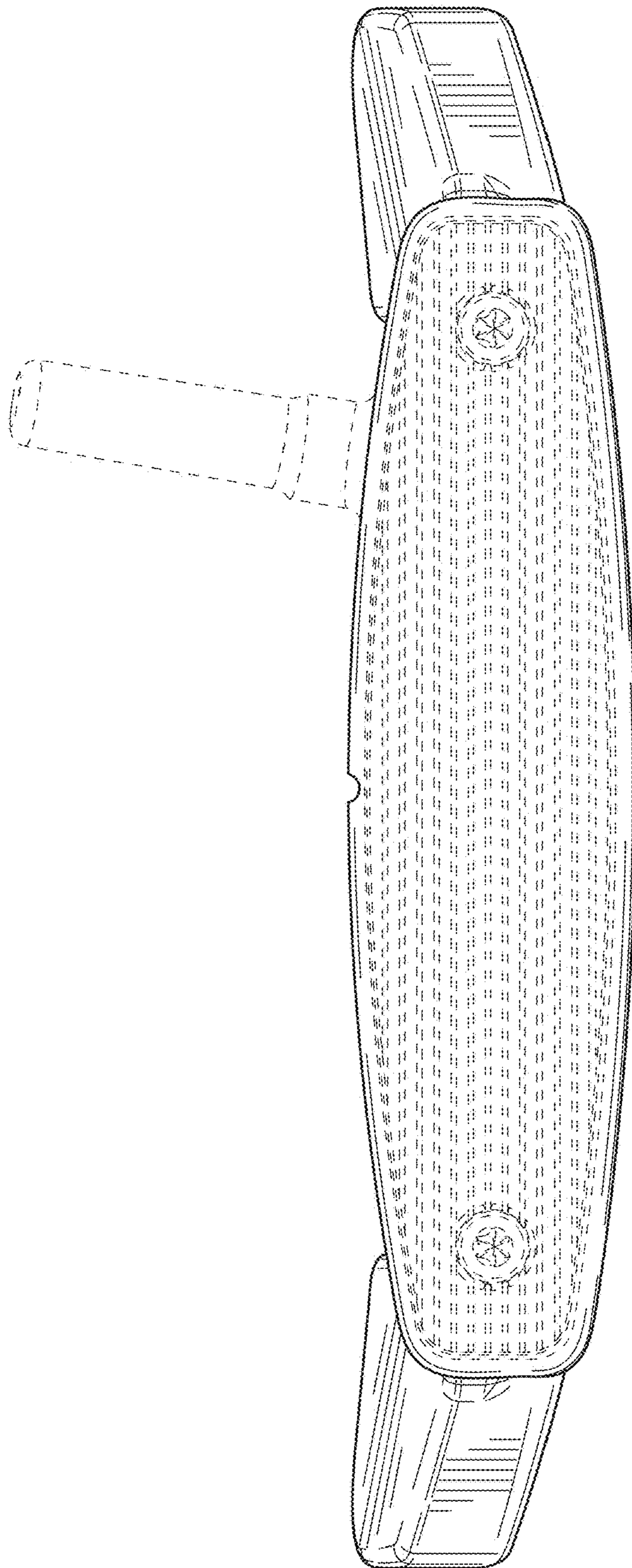


FIG. 3

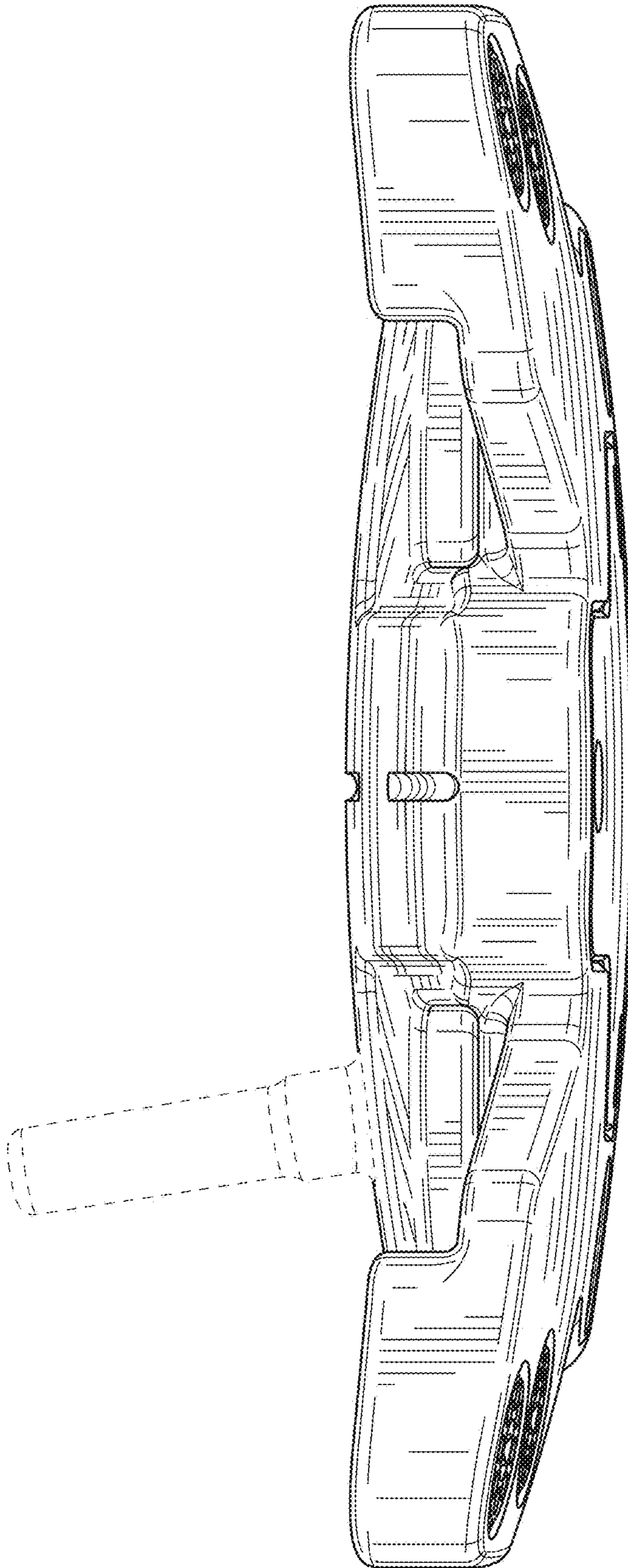


FIG. 4

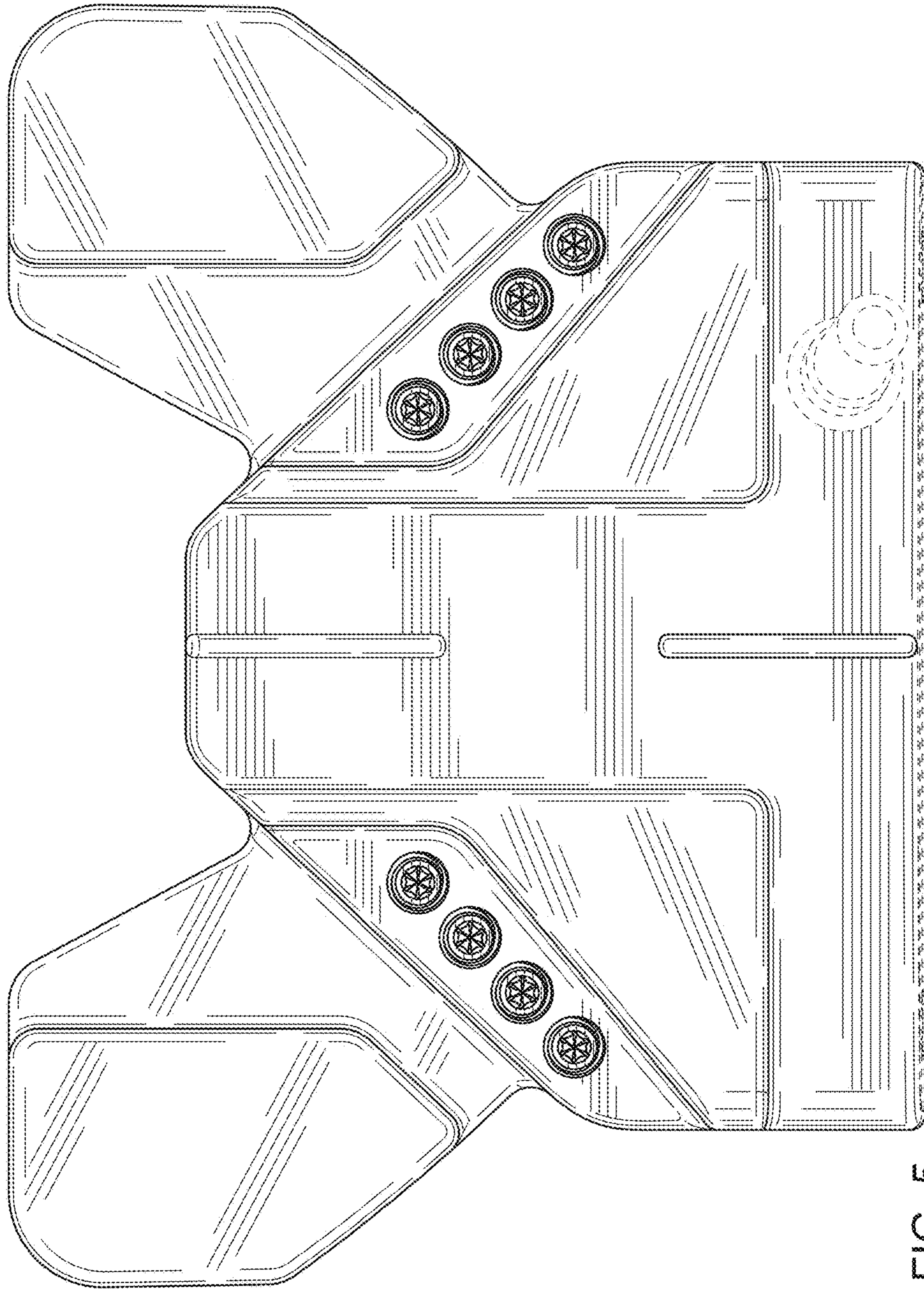


FIG. 5

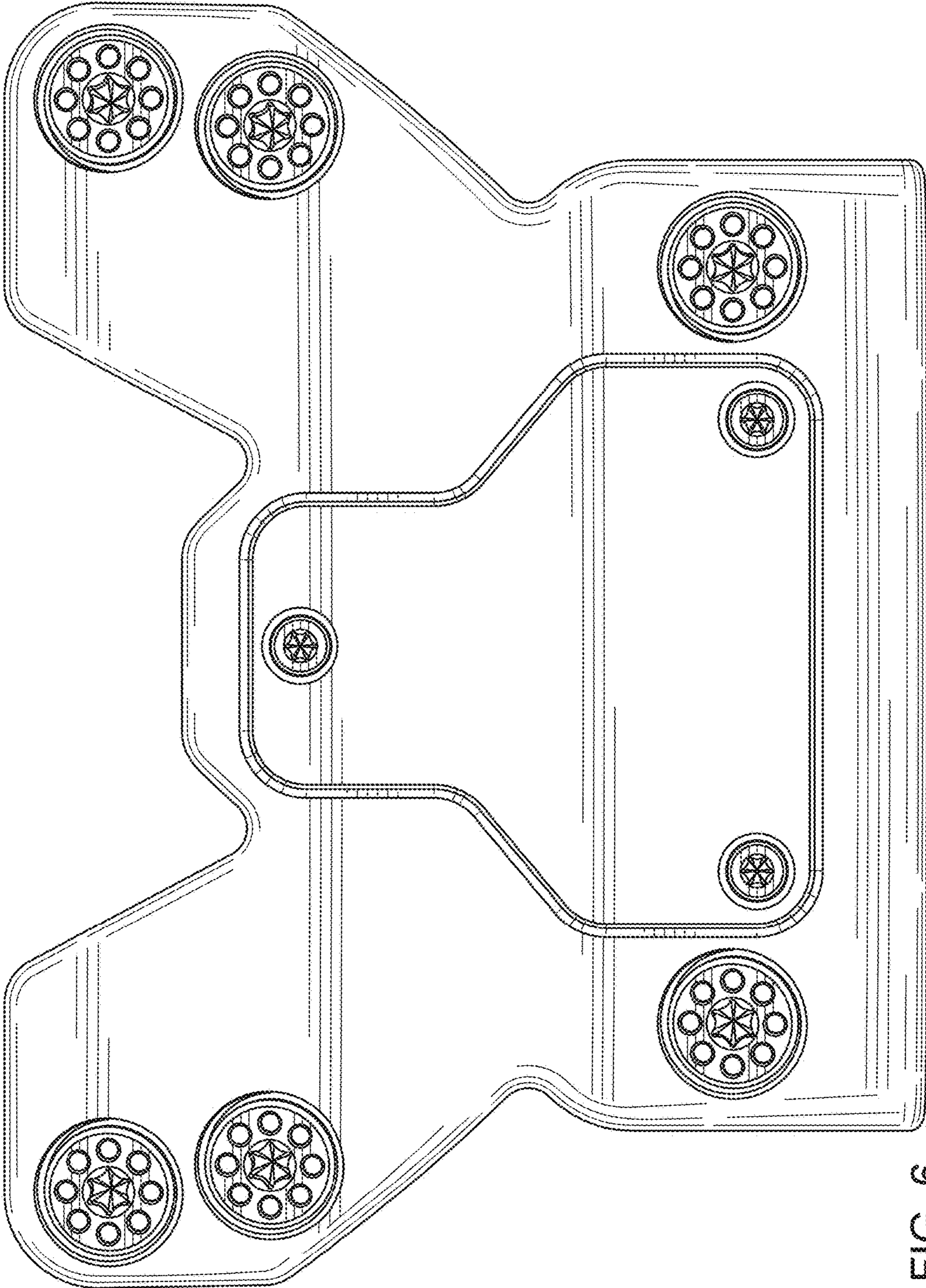


FIG. 6

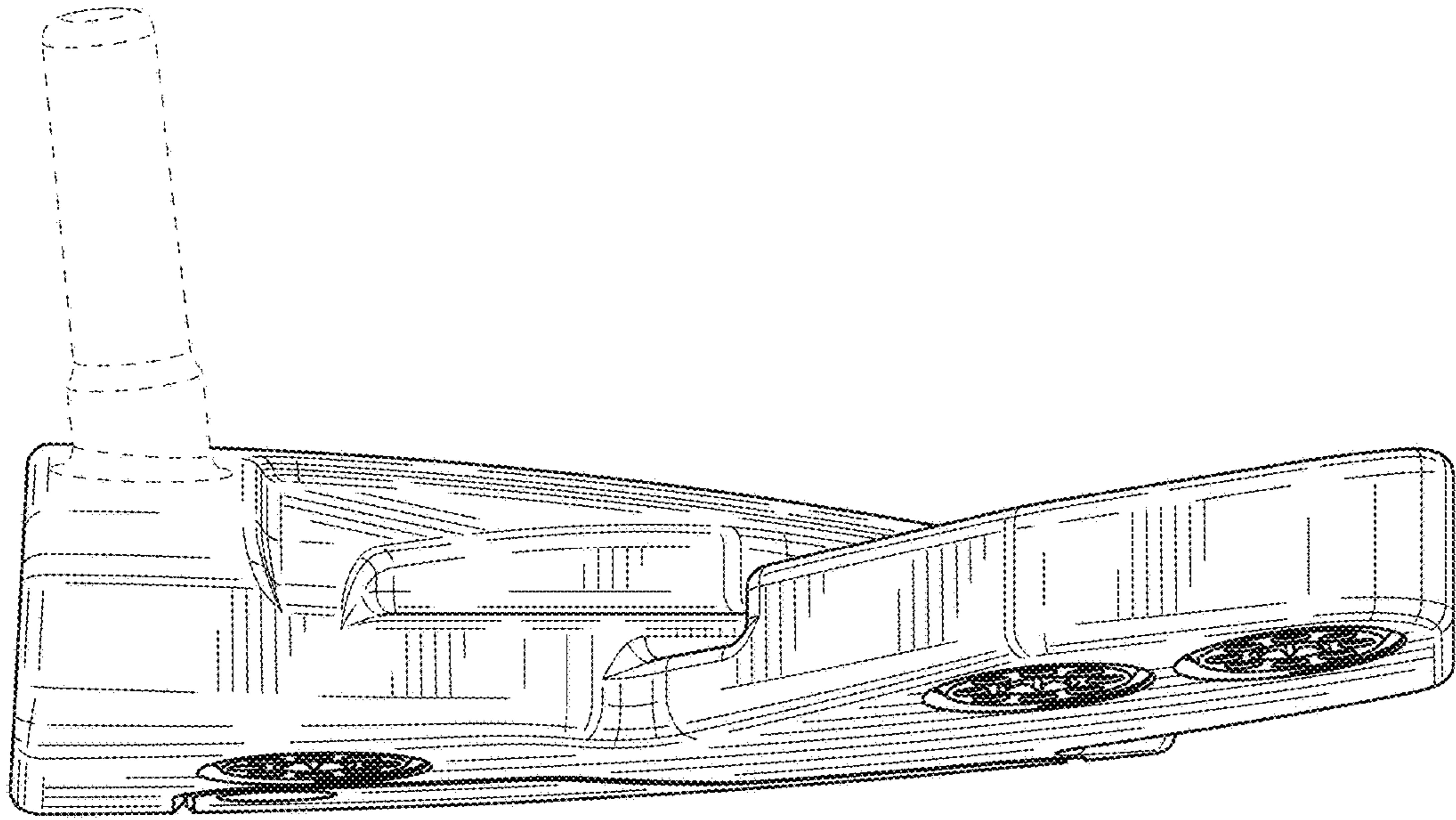


FIG. 7

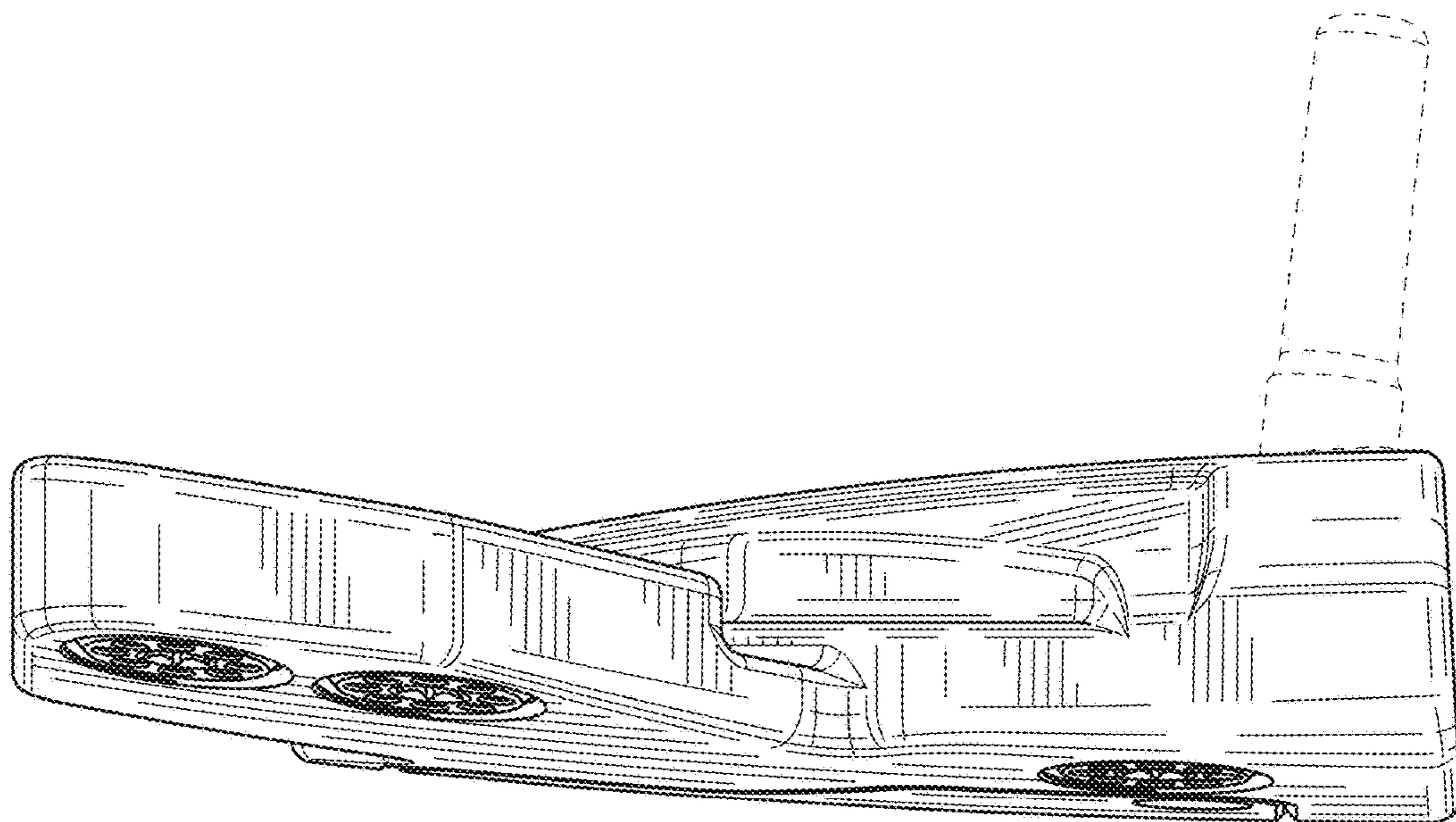


FIG. 8

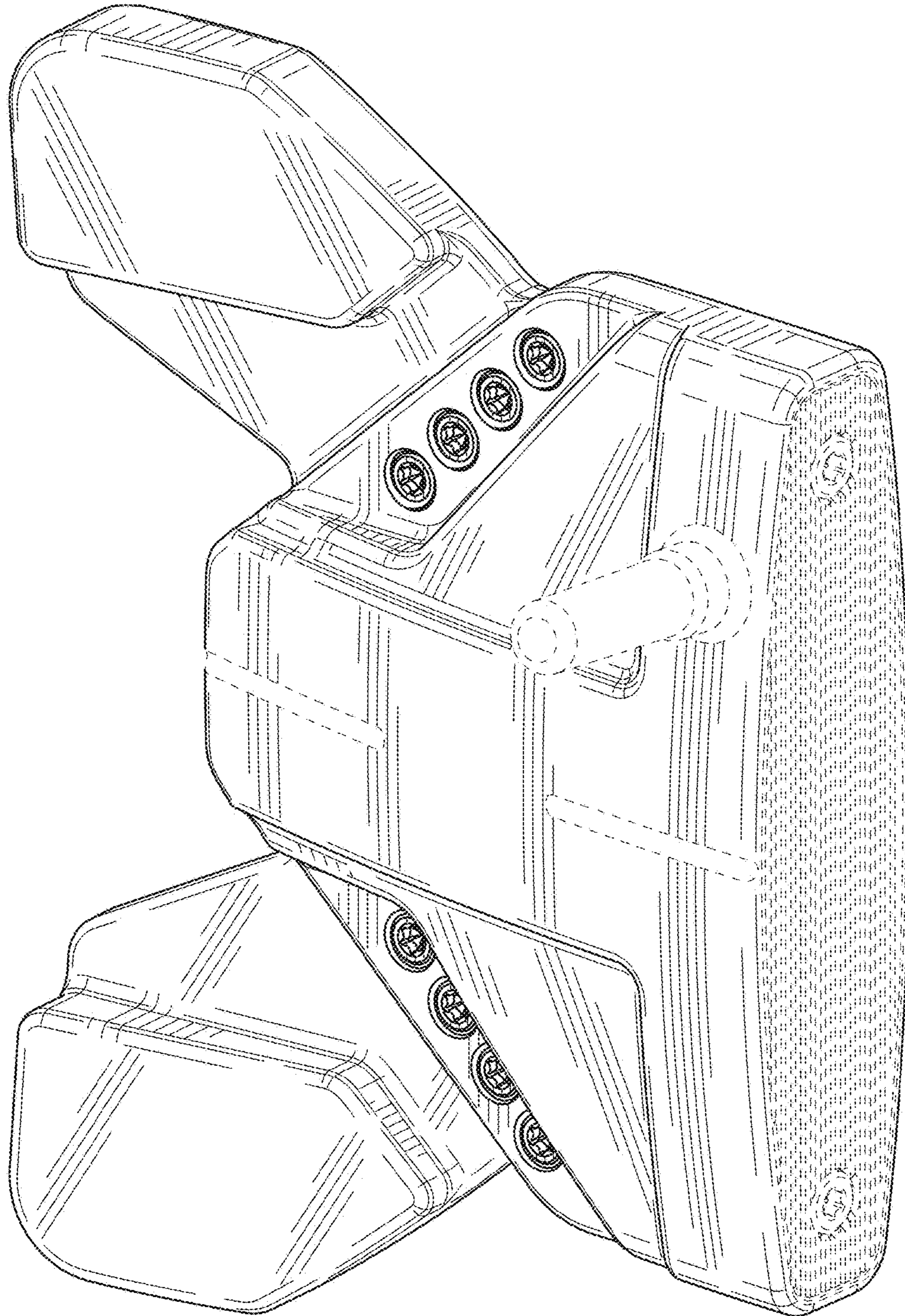


FIG. 9

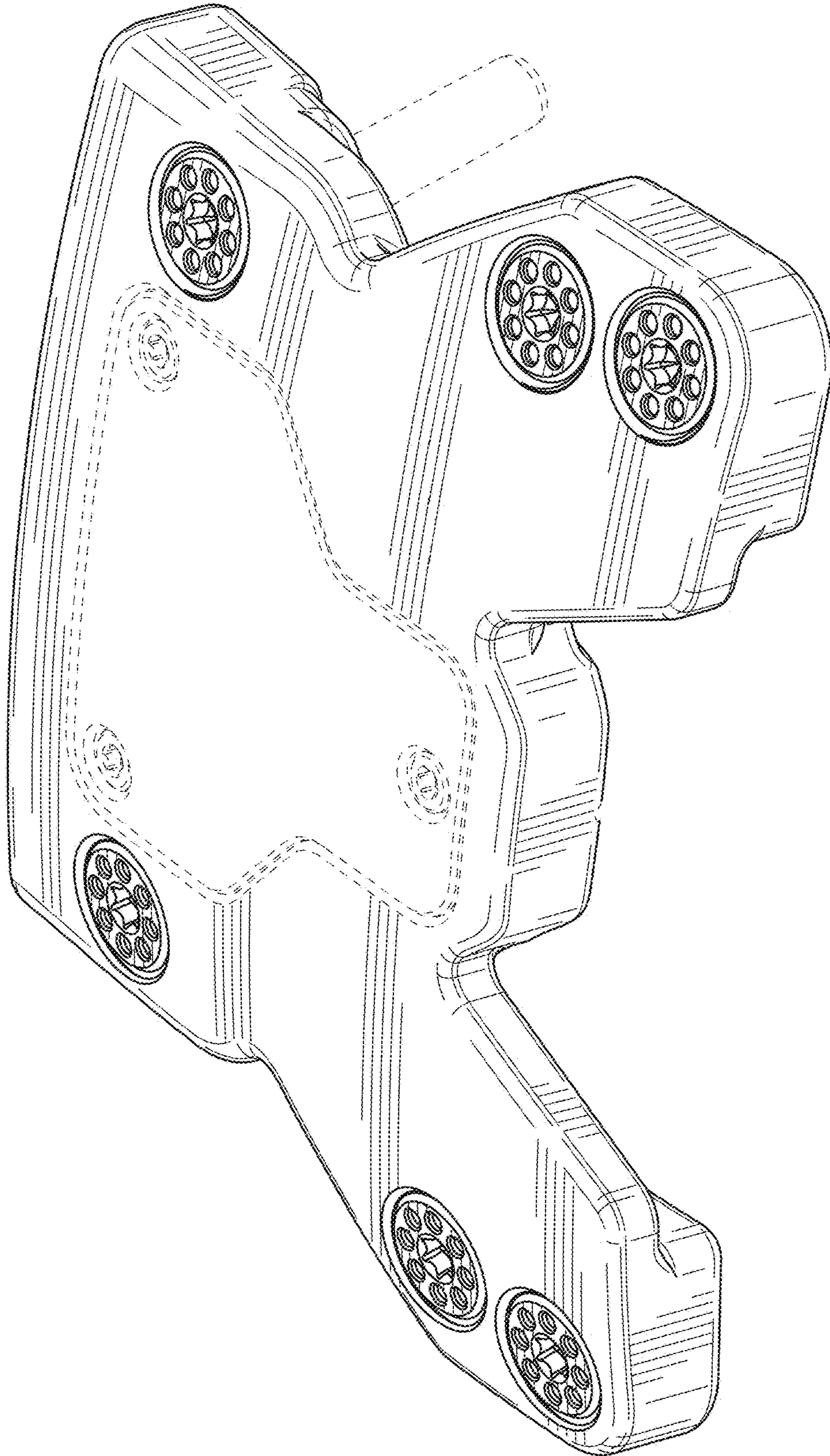


FIG. 10

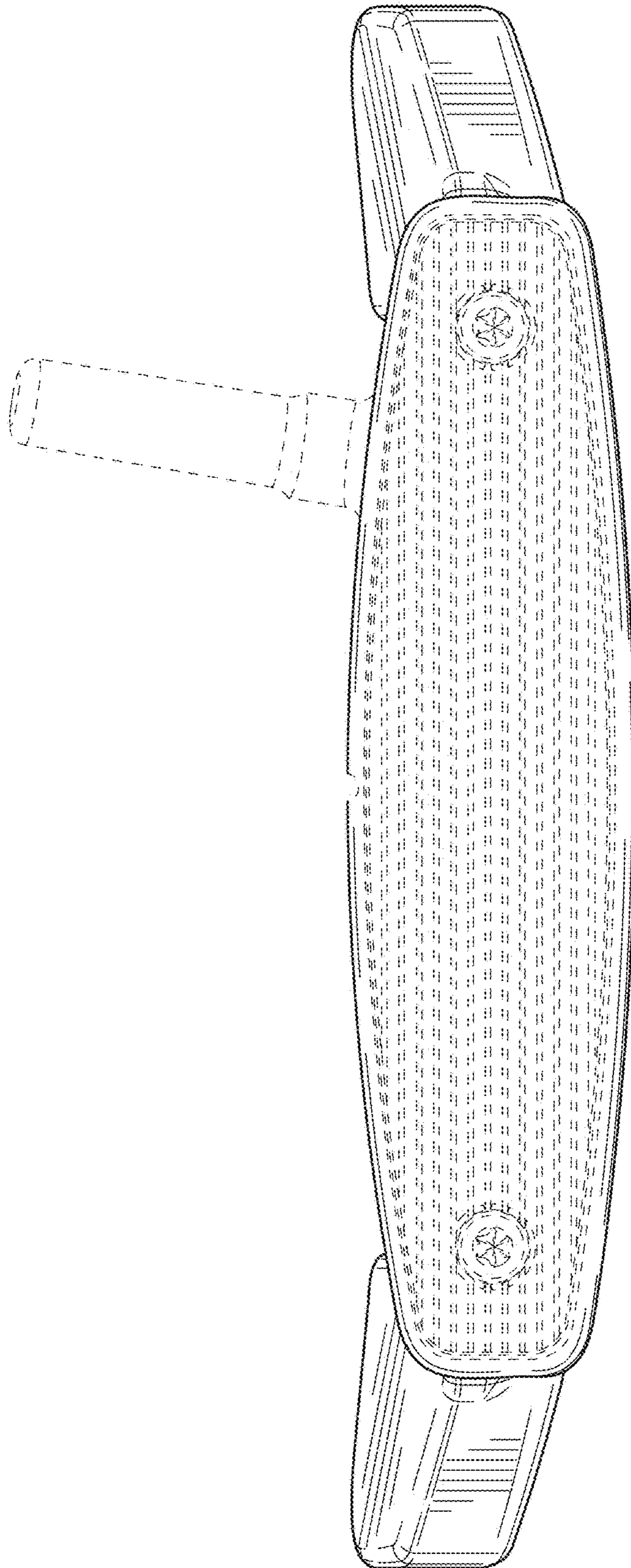


FIG. 11

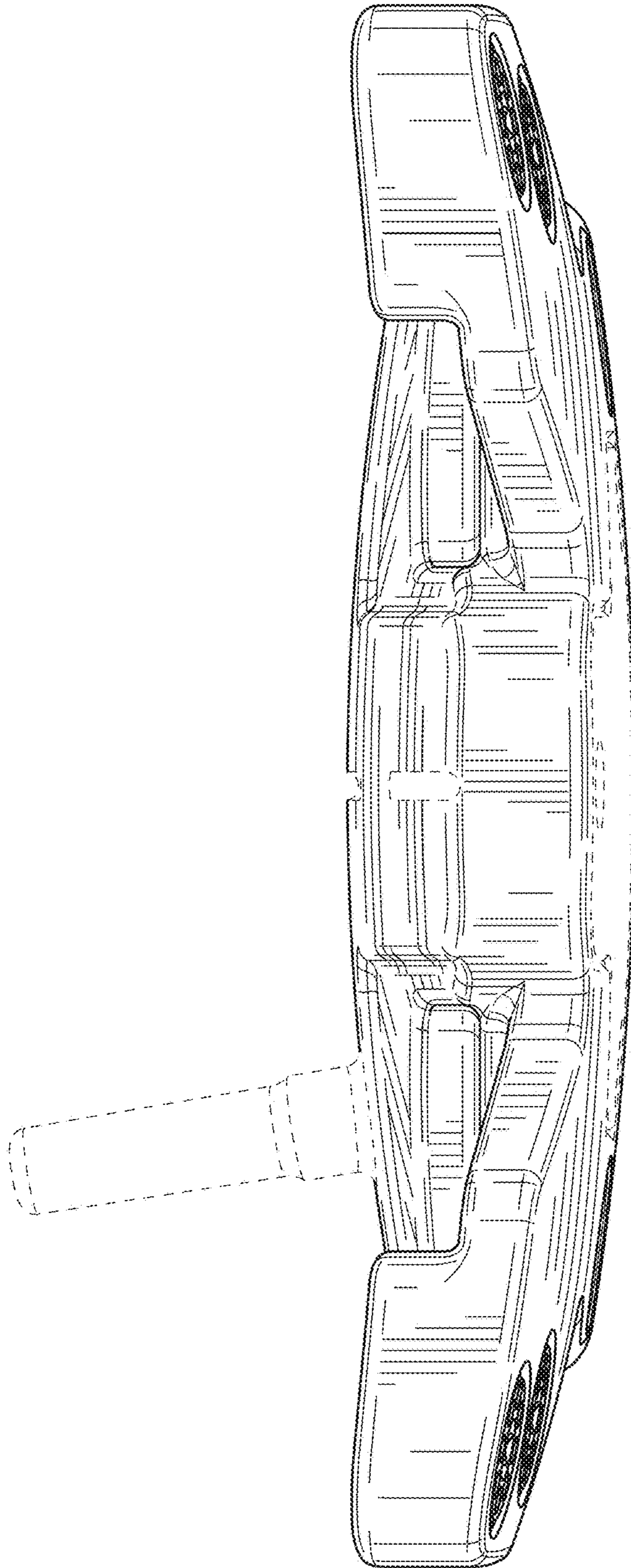


FIG. 12

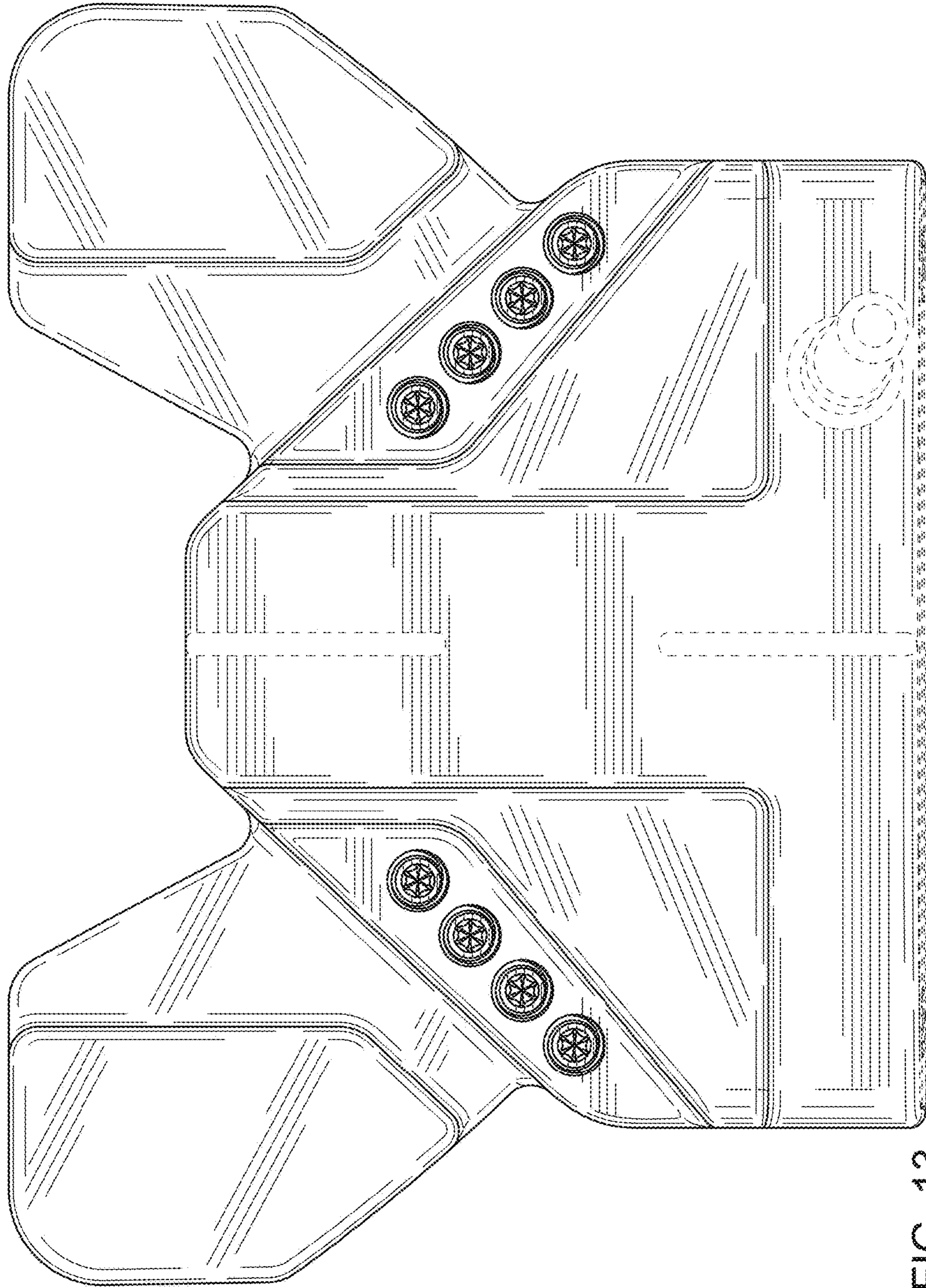


FIG. 13

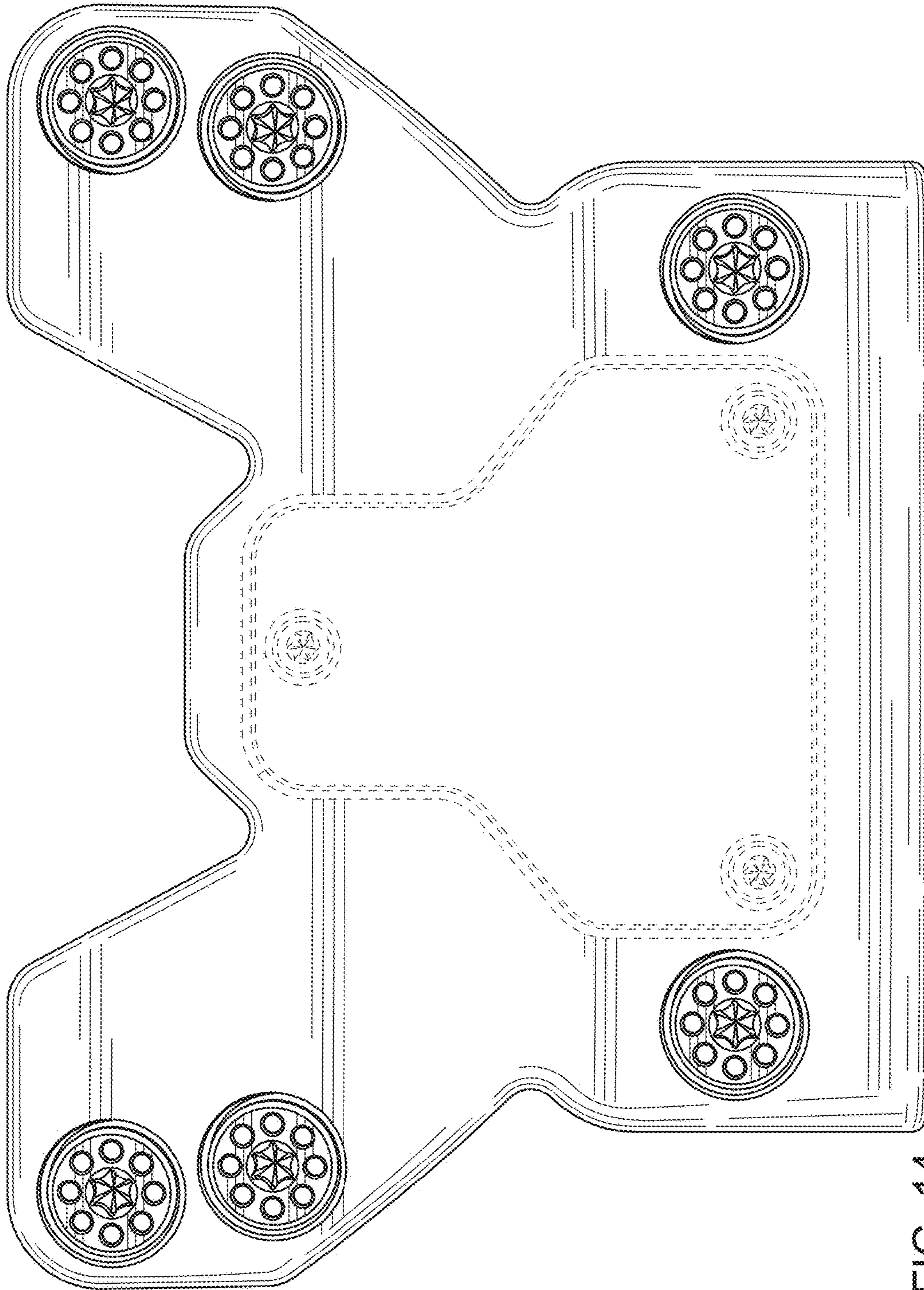


FIG. 14

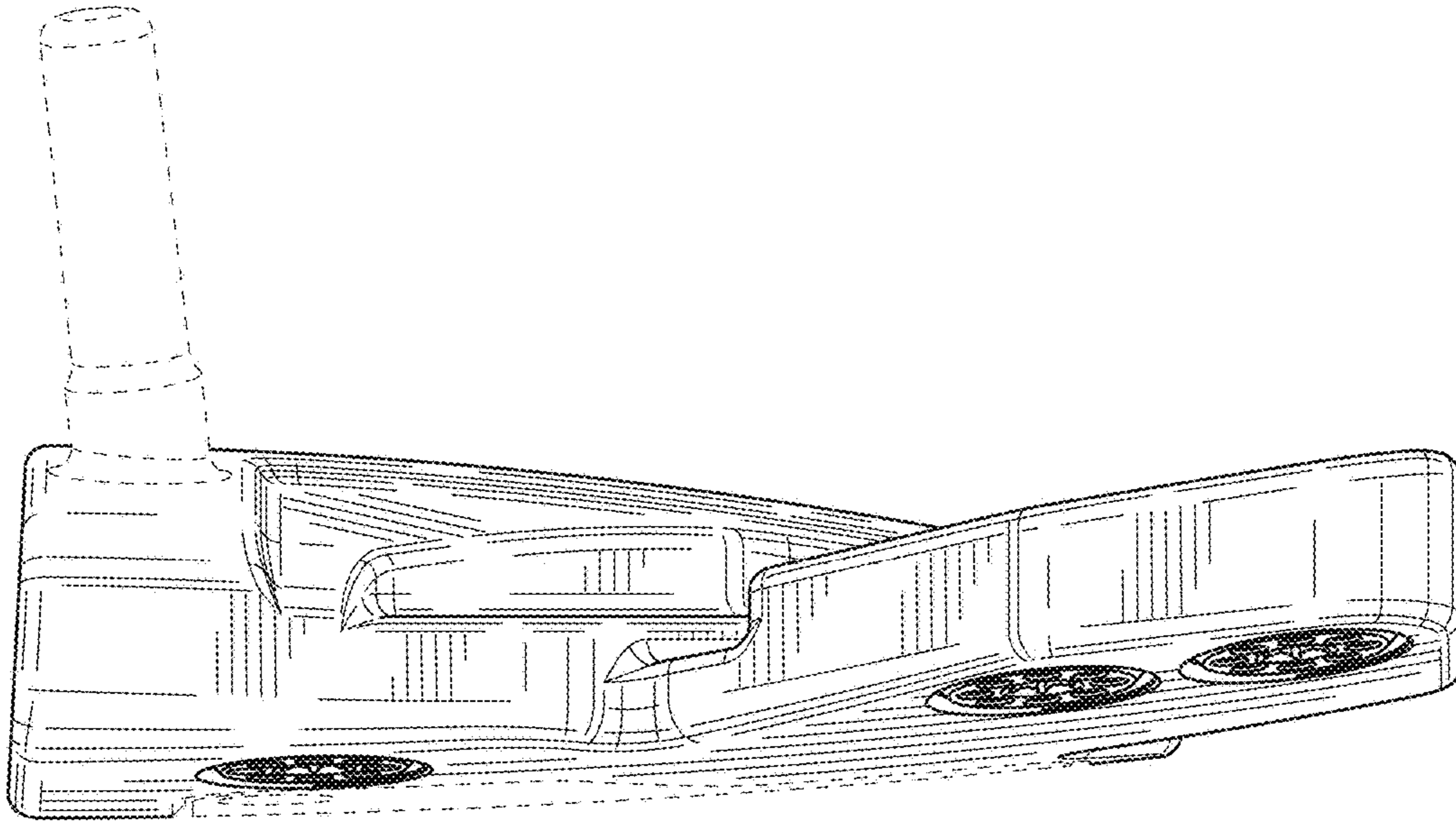


FIG. 15

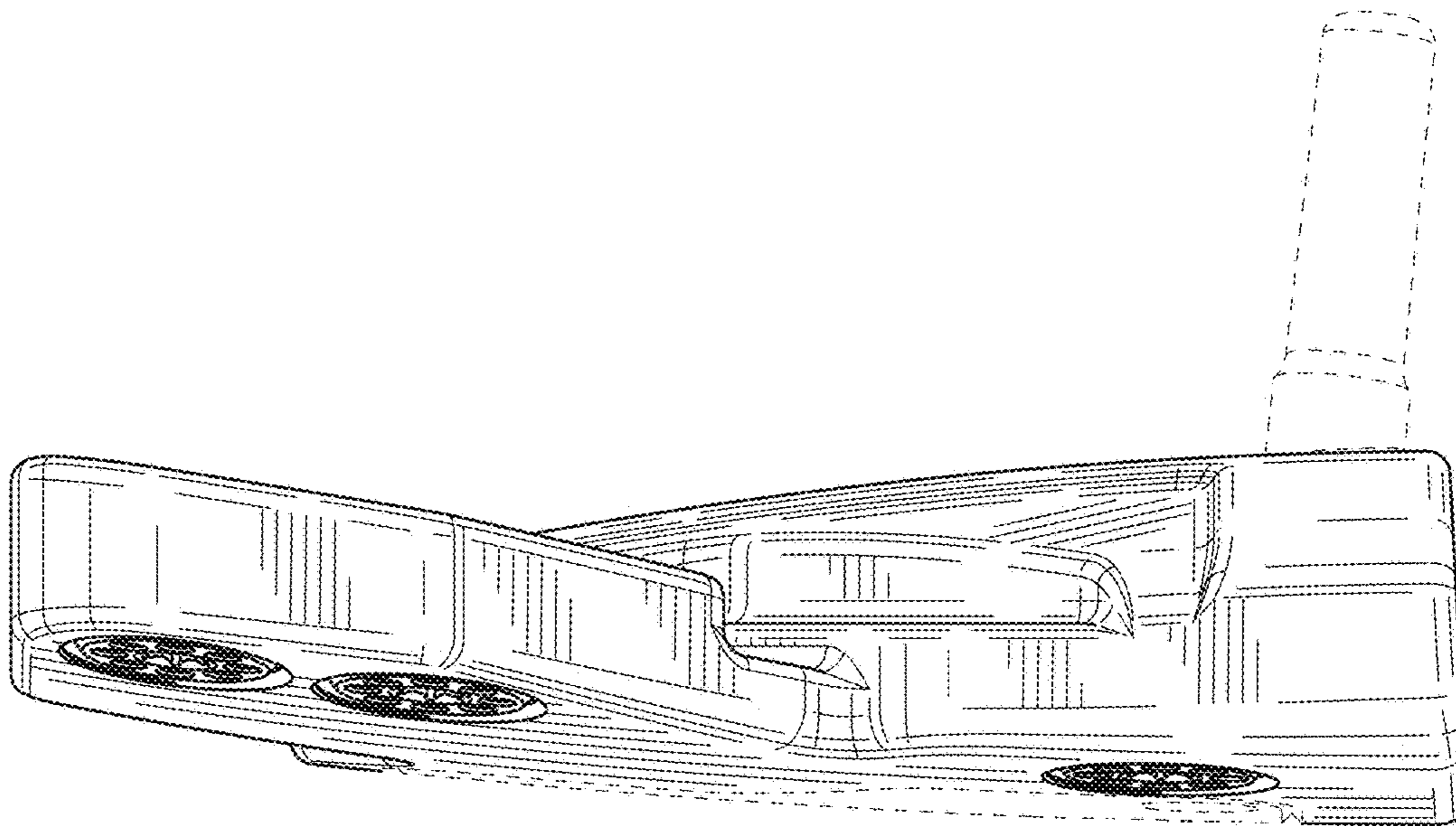


FIG. 16

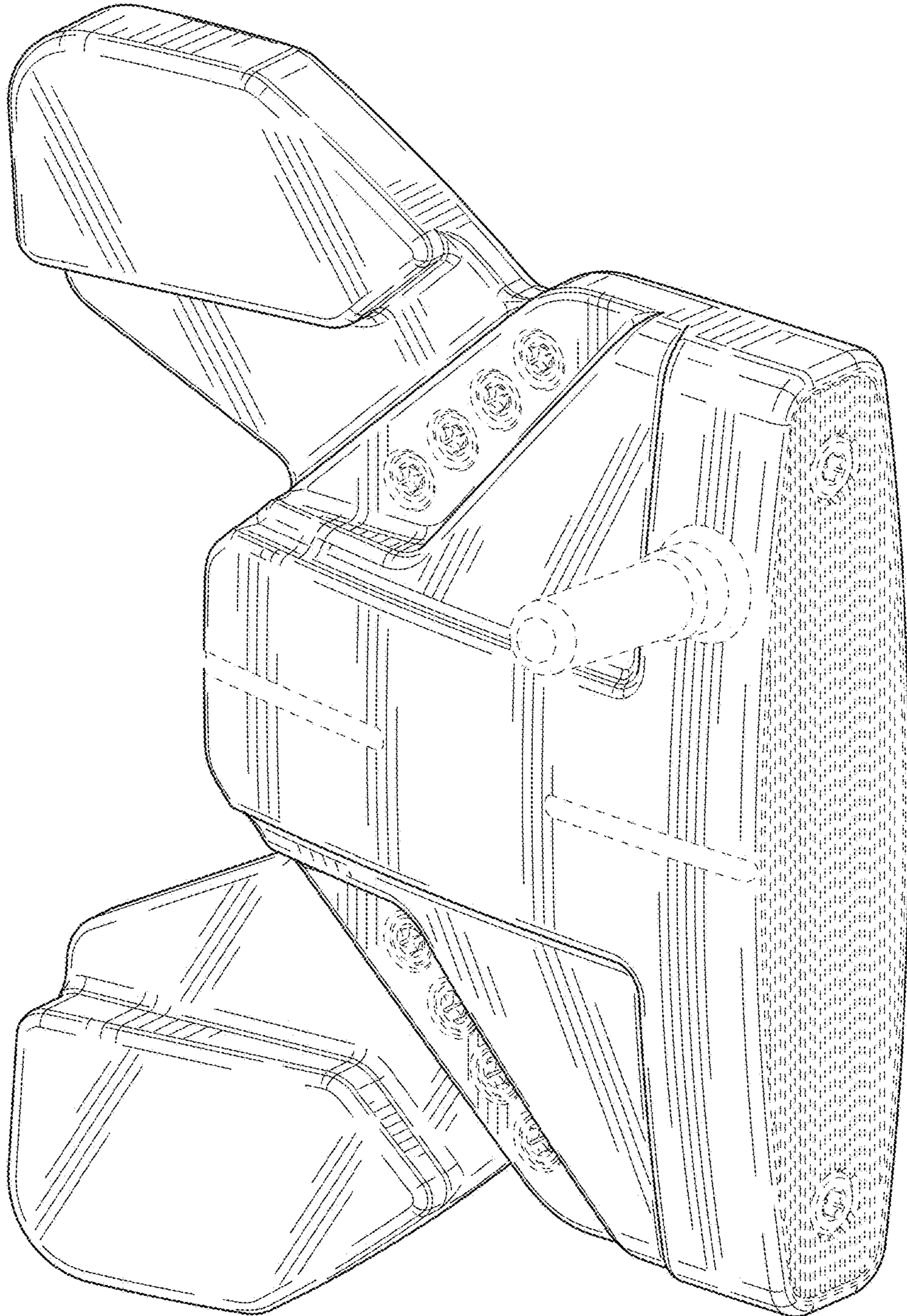


FIG. 17

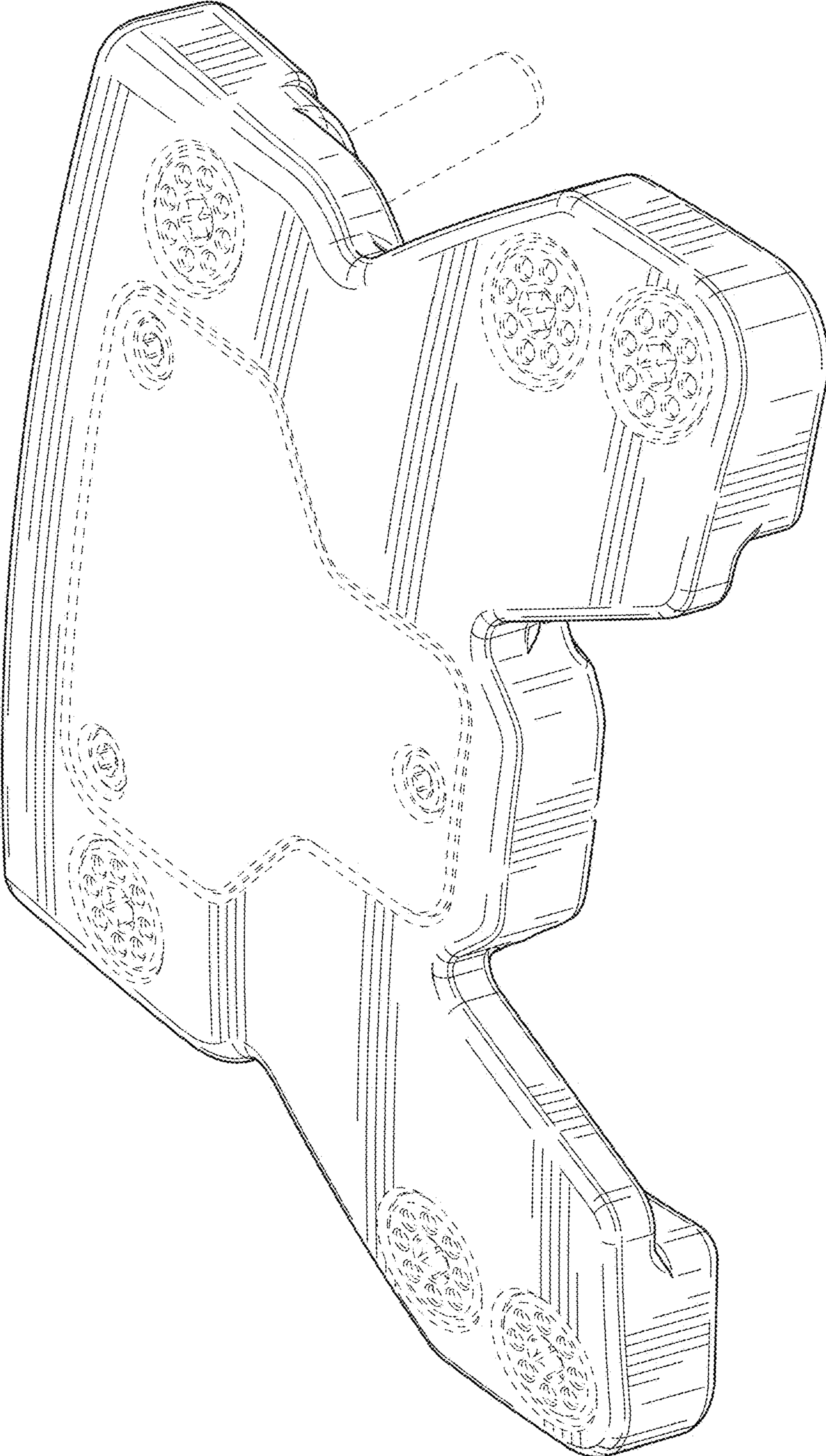


FIG. 18

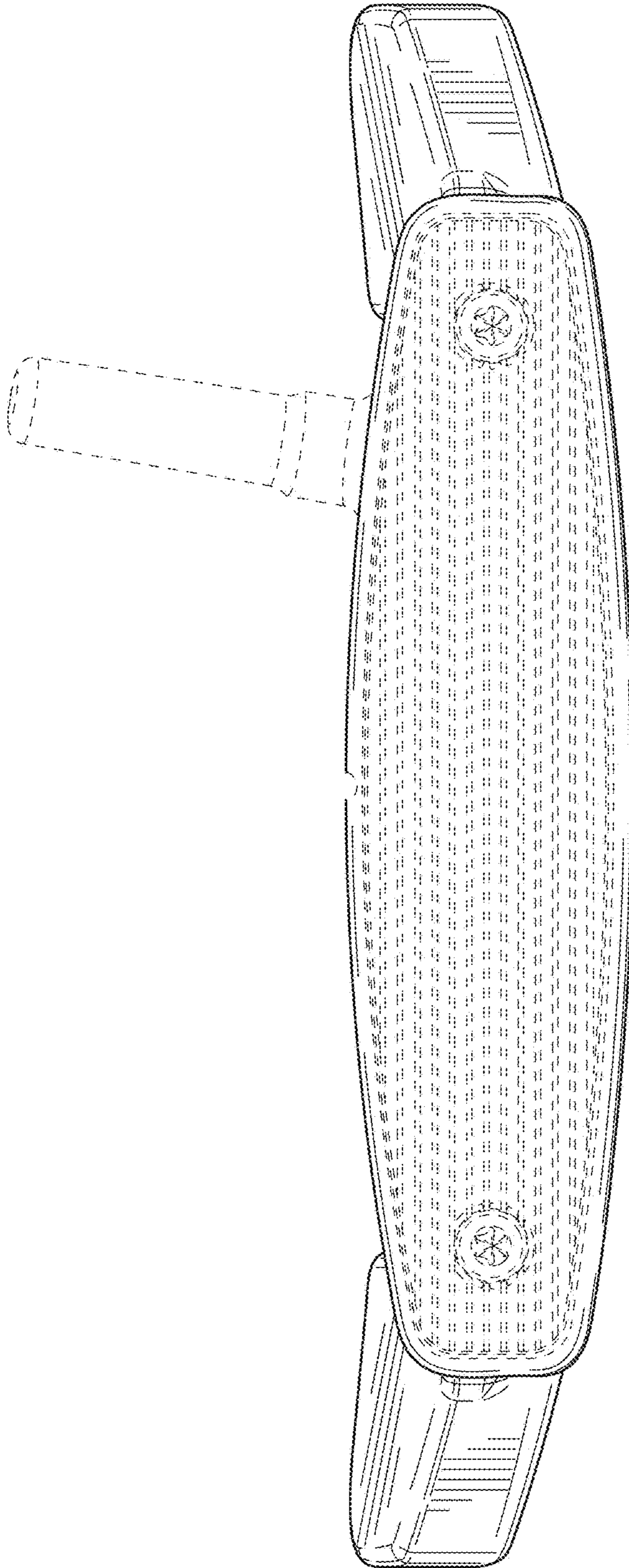


FIG. 19

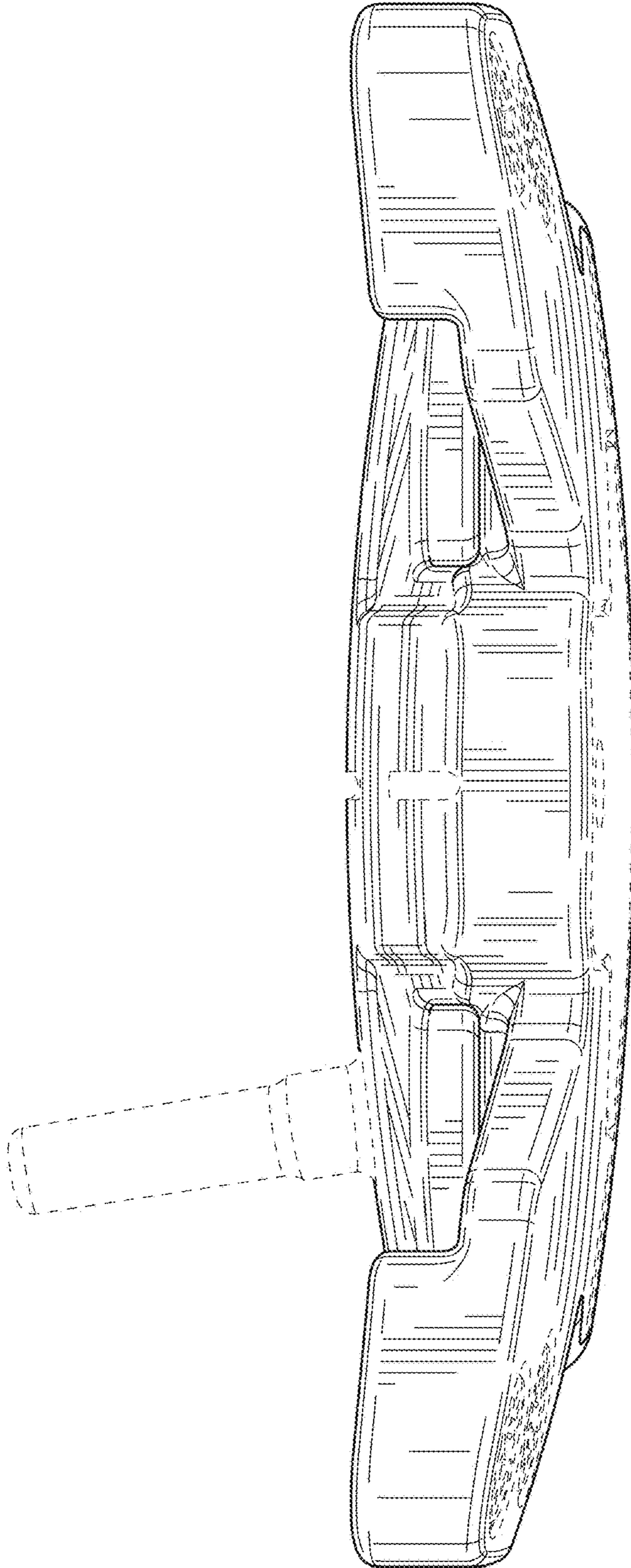


FIG. 20

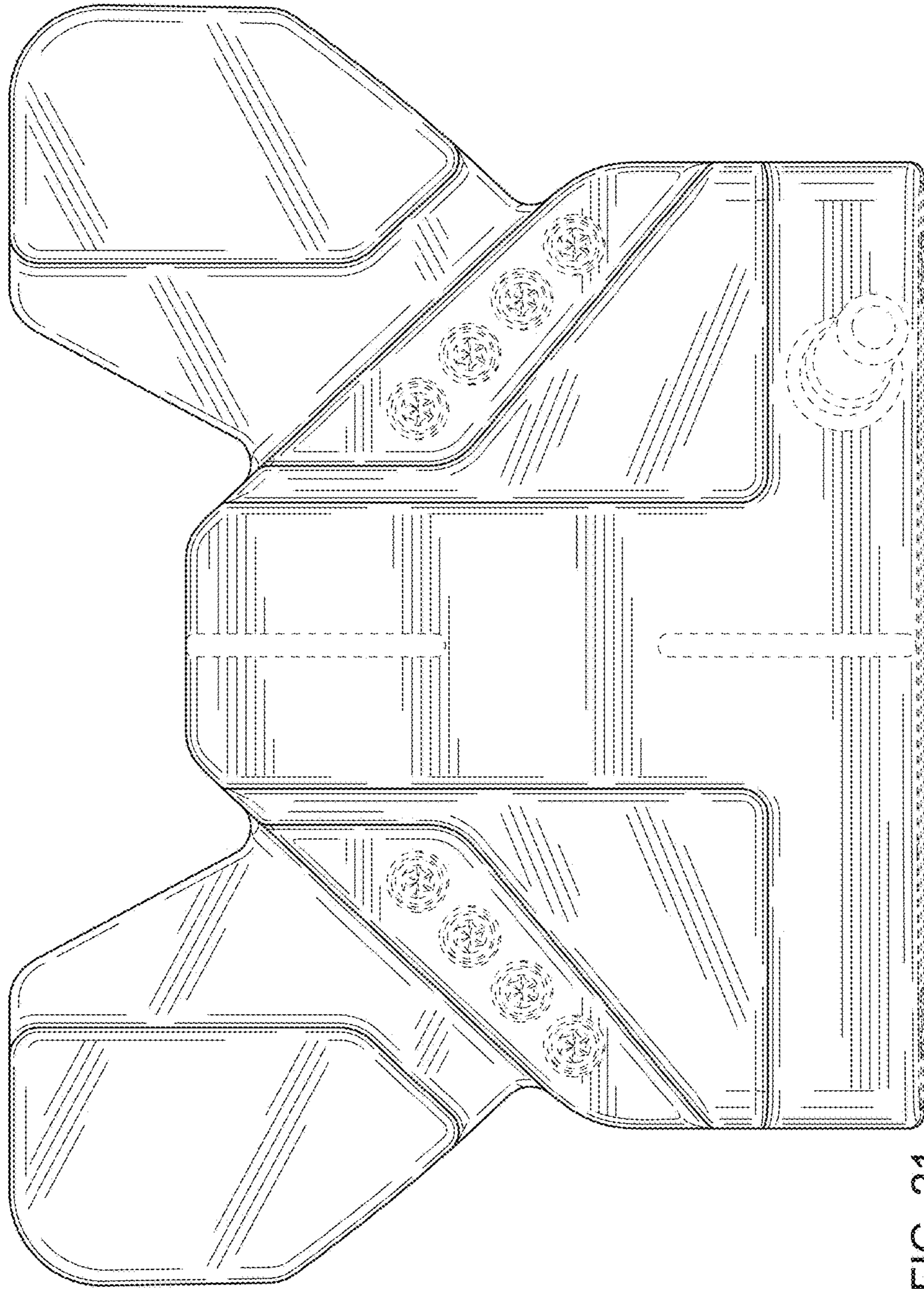


FIG. 21

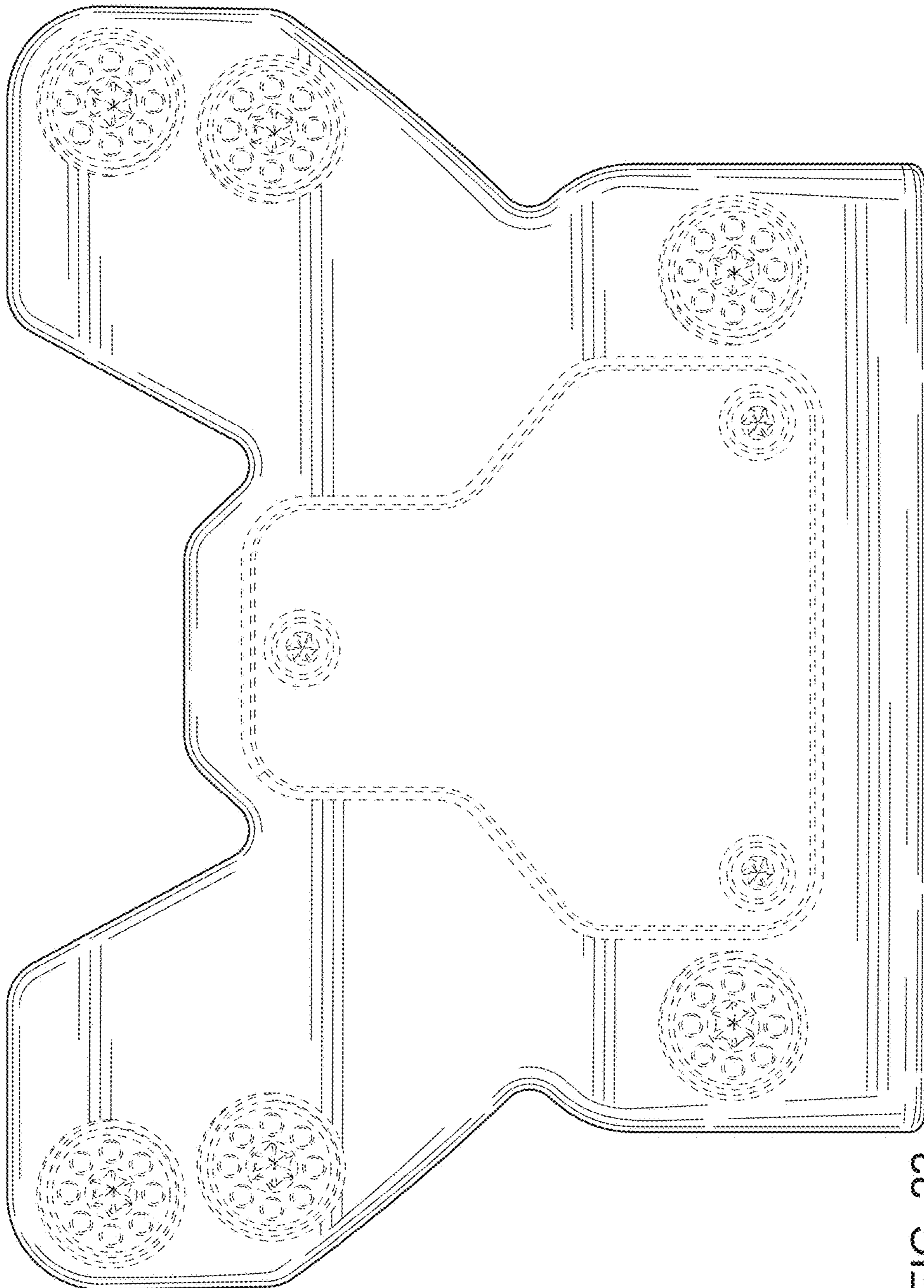


FIG. 22

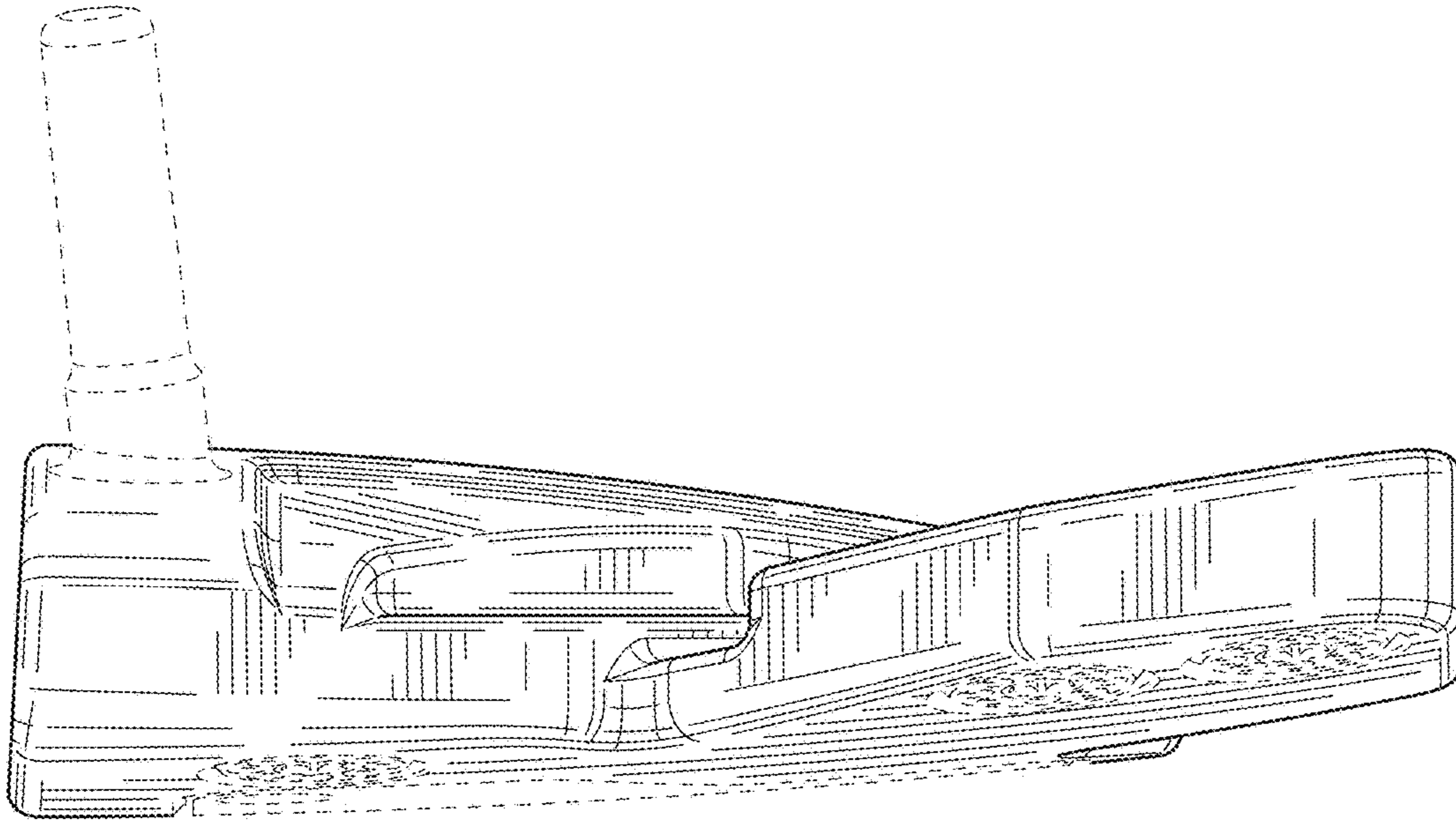


FIG. 23

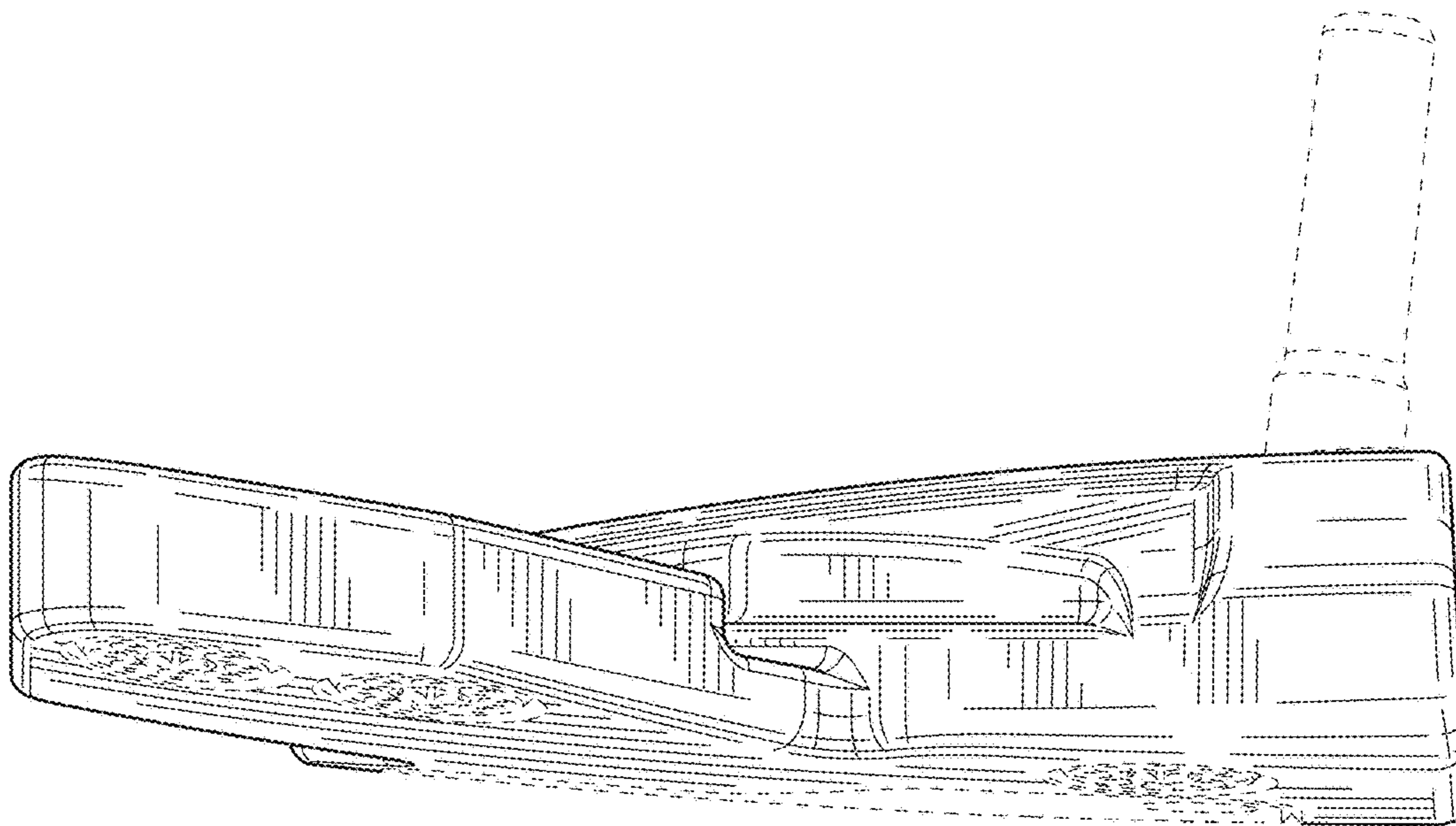


FIG. 24