



US00D844722S

(12) **United States Design Patent**
Wang et al.

(10) **Patent No.:** **US D844,722 S**
(45) **Date of Patent:** **** Apr. 2, 2019**

(54) **GOLF CLUB HEAD**

FOREIGN PATENT DOCUMENTS

(71) Applicant: **Karsten Manufacturing Corporation**,
Phoenix, AZ (US)

JP 2006010952 1/2007
JP 2008024142 5/2009

(Continued)

(72) Inventors: **Calvin S. Wang**, Chandler, AZ (US);
David A. Higdon, Cave Creek, AZ
(US)

OTHER PUBLICATIONS

<https://www.2ndswing.com/nike/golf-putters/everclear-e33/#used>, Nike
Everclear E33 Putter, Jun. 13, 2017.

(Continued)

(73) Assignee: **Karsten Manufacturing Corporation**,
Phoenix, AZ (US)

Primary Examiner — Mitchell I. Siegel

(**) Term: **15 Years**

(57) **CLAIM**

The ornamental design for a golf club head, as shown and
described.

(21) Appl. No.: **29/625,633**

DESCRIPTION

(22) Filed: **Nov. 10, 2017**

(51) **LOC (11) Cl.** **21-02**

(52) **U.S. Cl.**
USPC **D21/736**

(58) **Field of Classification Search**
USPC D21/736–746, 759
CPC A63B 53/00; A63B 53/04; A63B 53/007;
A63B 53/065; A63B 53/0487; A63B
60/00; A63B 60/46

See application file for complete search history.

FIG. 1 is a top perspective view of a golf club head;
FIG. 2 is a bottom perspective view of the golf club head of
FIG. 1;
FIG. 3 is a top view of the golf club head of FIG. 1;
FIG. 4 is a bottom view of the golf club head of FIG. 1;
FIG. 5 is a front view of the golf club head of FIG. 1;
FIG. 6 is a rear view of the golf club head of FIG. 1;
FIG. 7 is a heel side view of the golf club head of FIG. 1;
FIG. 8 is a toe side view of the golf club head of FIG. 1;
FIG. 9 is a top perspective view of a second embodiment of
a golf club head;
FIG. 10 is a bottom perspective view of the golf club head of
FIG. 9;
FIG. 11 is a top view of the golf club head of FIG. 9;
FIG. 12 is a bottom view of the golf club head of FIG. 9;
FIG. 13 is a front view of the golf club head of FIG. 9;
FIG. 14 is a rear view of the golf club head of FIG. 9;
FIG. 15 is a heel view of the golf club head of FIG. 9; and,
FIG. 16 is a toe view of the golf club head of FIG. 9.
The broken line showing of unclaimed subject matter is
included for the purpose of illustrating environment and
forms no part of the claimed design.

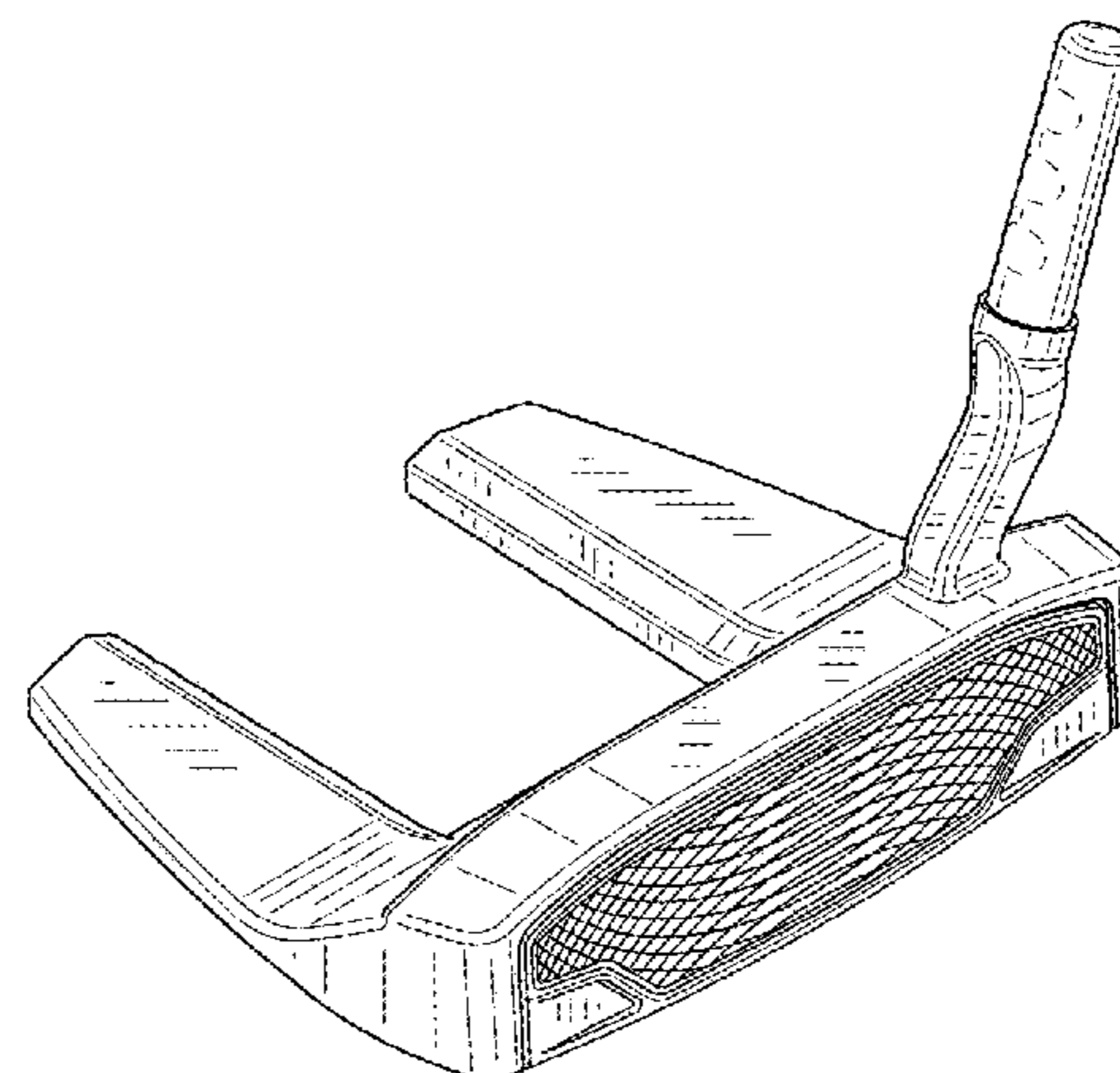
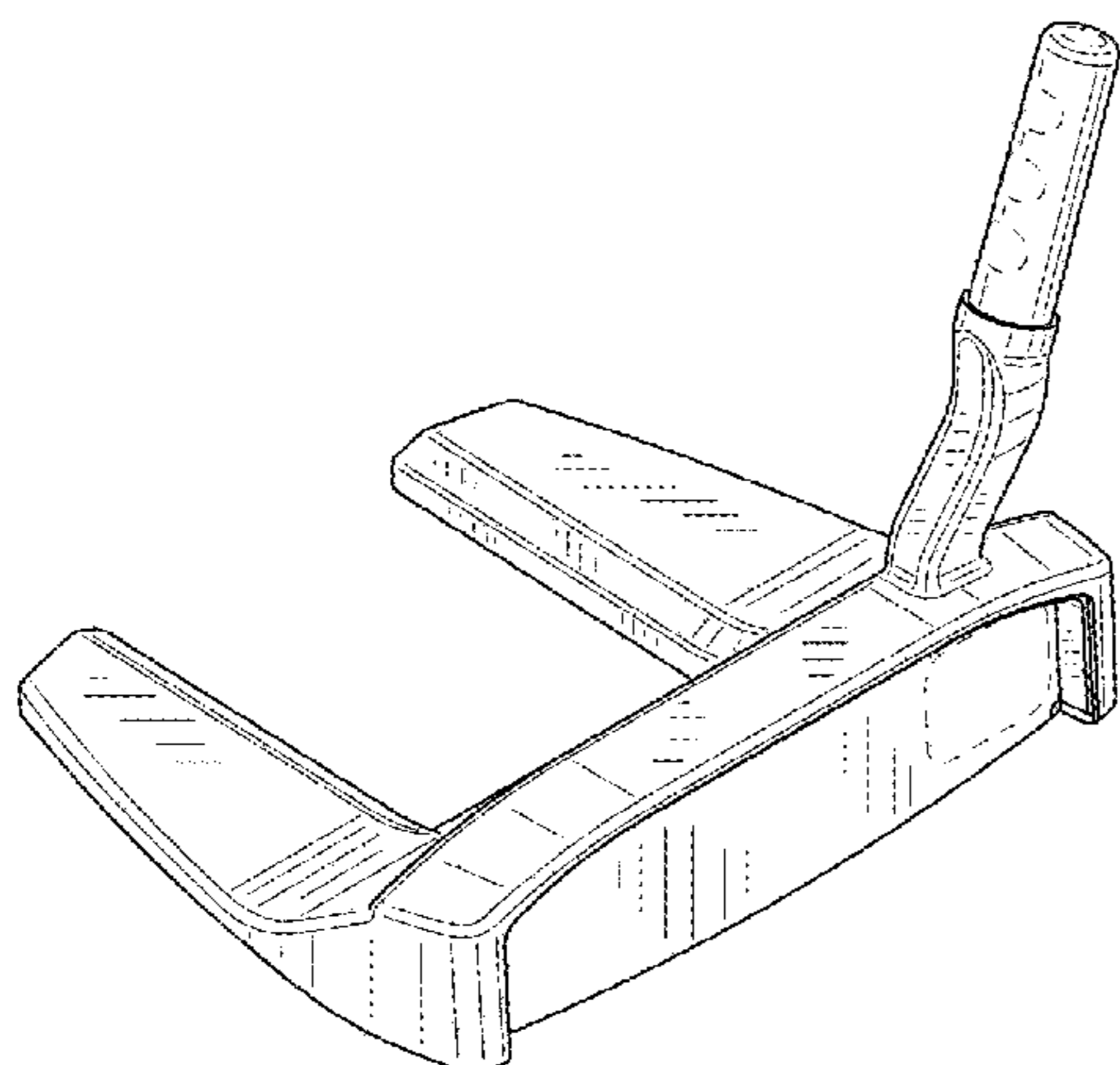
(56) **References Cited**

U.S. PATENT DOCUMENTS

4,741,535 A * 5/1988 Leonhardt A63B 53/0487
473/252
D323,867 S * 2/1992 Rizzotto D21/740
D350,177 S * 8/1994 Ramirez D21/745
D359,330 S * 6/1995 Channell D21/741
D381,382 S * 7/1997 Fenton, Jr. D21/743
5,997,409 A * 12/1999 Mattson A63B 53/02
473/244

(Continued)

1 Claim, 8 Drawing Sheets



(56)

References Cited

U.S. PATENT DOCUMENTS

D421,471 S * 3/2000 Moldovan D21/744
 D436,638 S * 1/2001 Carrier
 6,634,956 B1 * 10/2003 Pegg A63B 53/007
 473/251
 D517,143 S * 3/2006 Petsel D21/742
 D532,844 S * 11/2006 Rollinson D21/736
 D532,845 S * 11/2006 Rollinson D21/736
 D564,607 S * 3/2008 Oldknow D21/736
 D568,954 S * 5/2008 Oldknow D21/759
 D573,673 S * 7/2008 Noyes D21/721
 D574,908 S * 8/2008 Hettinger D21/743
 D582,497 S * 12/2008 Rollinson D21/744
 D589,575 S * 3/2009 Kim D21/744
 D590,461 S * 4/2009 Kim D21/743
 D591,807 S * 5/2009 Rollinson D21/744
 D594,917 S * 6/2009 Stellander D21/743
 D595,373 S * 6/2009 Kim D21/744
 D604,787 S * 11/2009 Hopkins D21/736
 D621,458 S * 8/2010 Serrano D21/736
 D670,774 S * 11/2012 Seiff D21/736
 D688,341 S * 8/2013 Rollinson D21/746
 D691,226 S * 10/2013 Hilton D21/746
 D701,274 S * 3/2014 Rollinson D21/736
 D720,821 S * 1/2015 Brandt D21/736
 D728,715 S * 5/2015 Cameron D21/736
 D730,464 S * 5/2015 Cameron D21/743
 D731,605 S * 6/2015 Rollinson D21/736

D768,248 S * 10/2016 Rollinson D21/744
 D771,208 S * 11/2016 Bettinardi D21/744
 D773,573 S * 12/2016 Abbott D21/744
 D776,771 S * 1/2017 Peterson D21/744
 D777,270 S * 1/2017 Rollinson D21/744
 D799,617 S * 10/2017 Becktor D21/742
 D801,459 S * 10/2017 Rollinson D21/746
 D807,453 S * 1/2018 Serrano D21/743
 D812,164 S * 3/2018 Parsons D21/742
 D813,963 S * 3/2018 Lapuz D21/742
 D815,222 S * 4/2018 Serrano D21/743
 D815,703 S * 4/2018 Schweigert D21/736
 D832,381 S * 10/2018 Serrano D21/743

FOREIGN PATENT DOCUMENTS

JP 2009005069 1/2010
 JP 2016026506 6/2017

OTHER PUBLICATIONS

<https://www.scottycameron.com/archives/putters/2016/futura-x/futura-x51>, Futura XS, Jun. 13, 2017.
<http://www.clevelandgolf.com/en/clubs-/tfi-2135-elevado-putter/MTFI2135ELEV.html>, TFI 2135 Elevado Putter, Jun. 13, 2017.
<http://rifegolf.com/store#!/product/category=8856002&id=34731881>, Rife General Left-hand Putter, Jun. 13, 2017.
 TitleistR 2015, p. 41, Acushnet Japan, Inc. Feb. 2015.

* cited by examiner

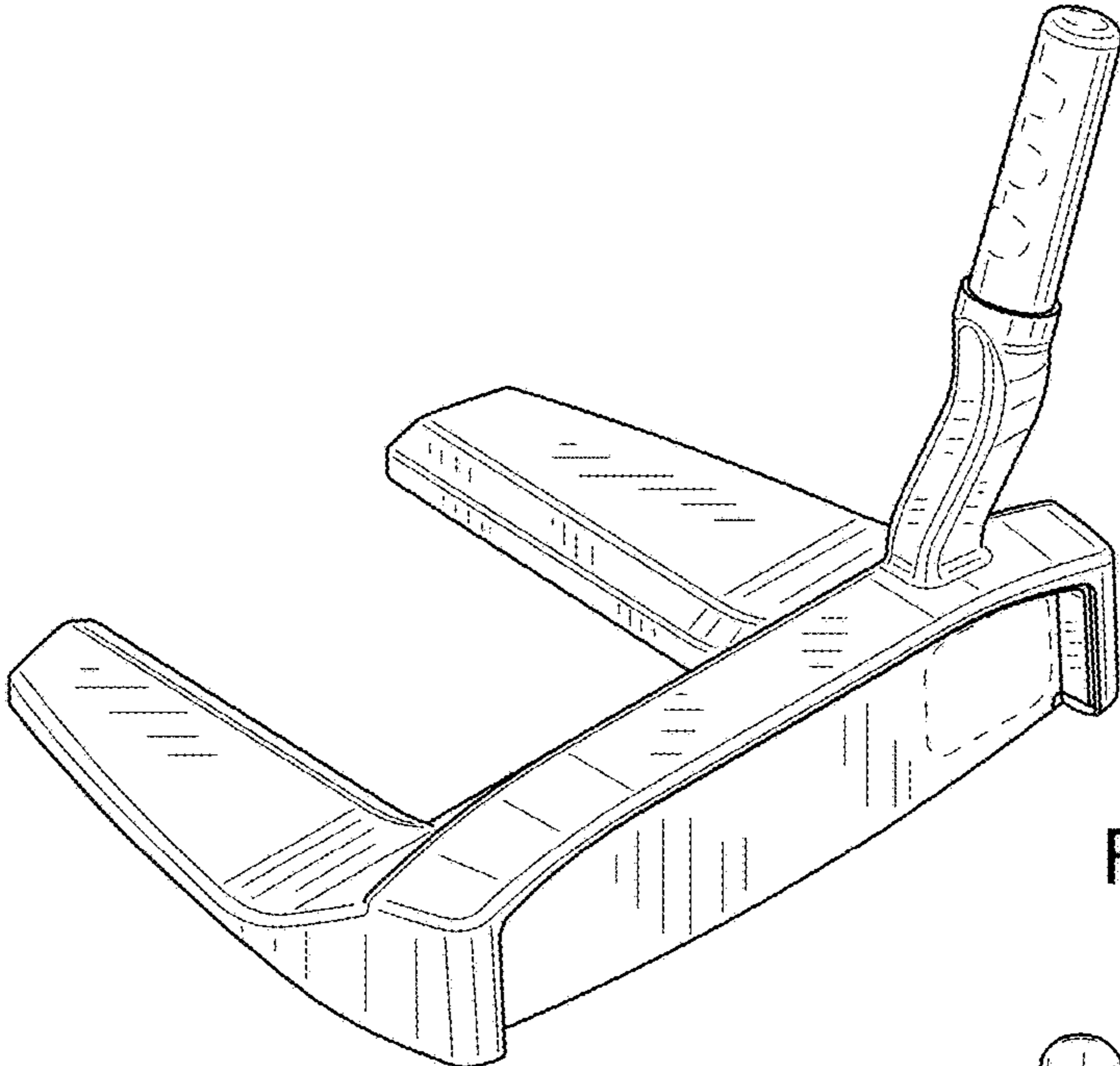


FIG.1

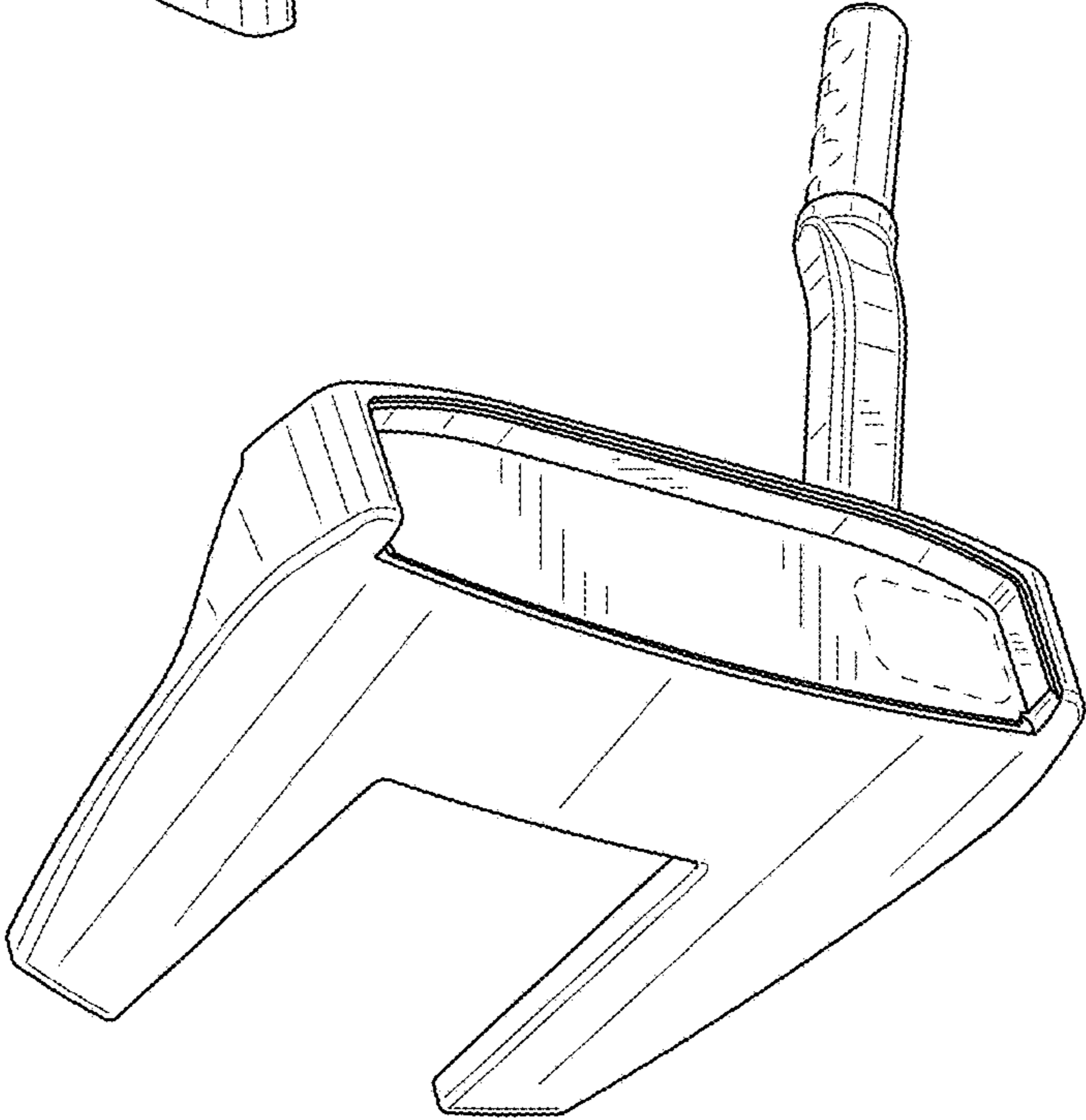


FIG.2

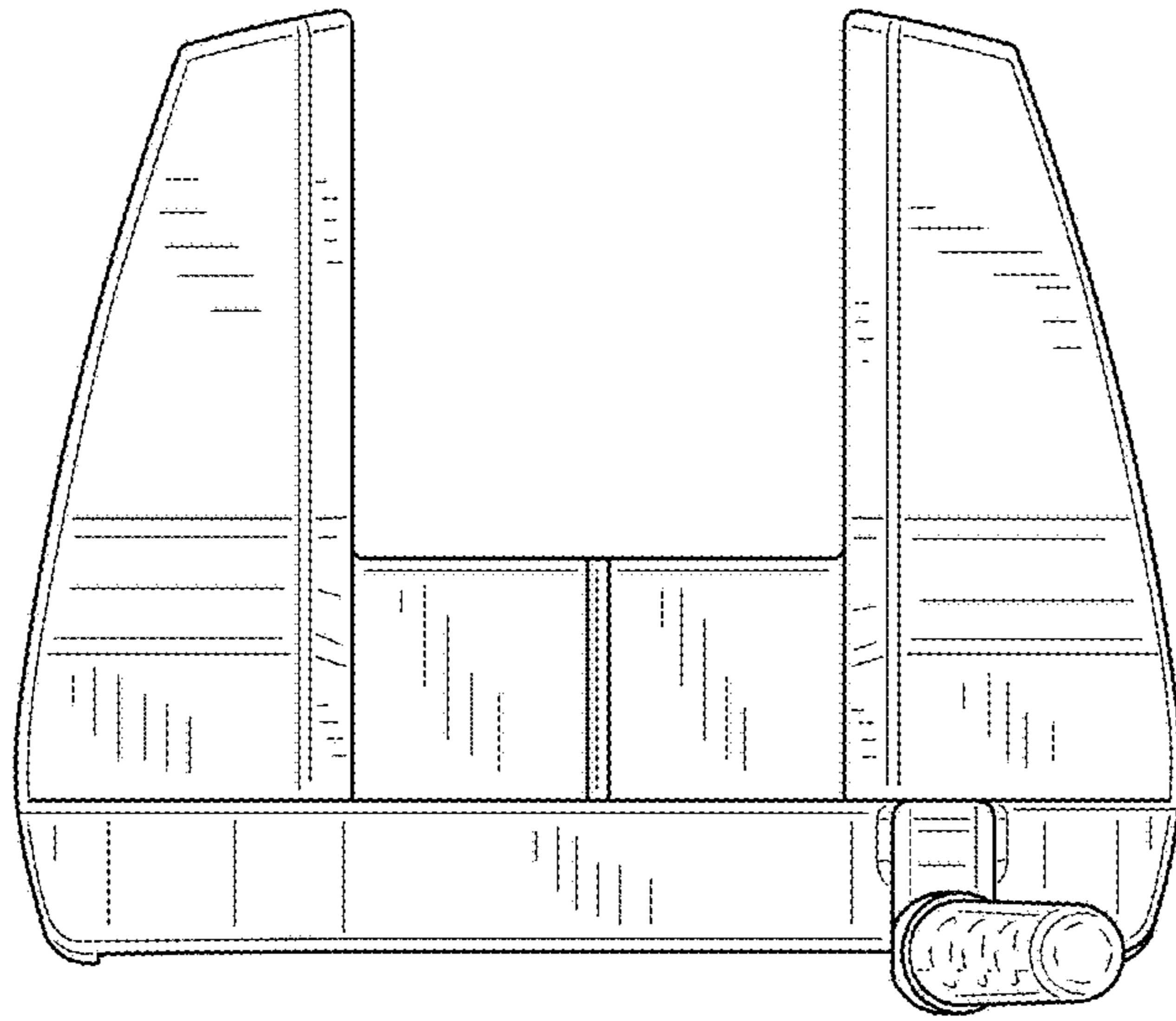


FIG.3

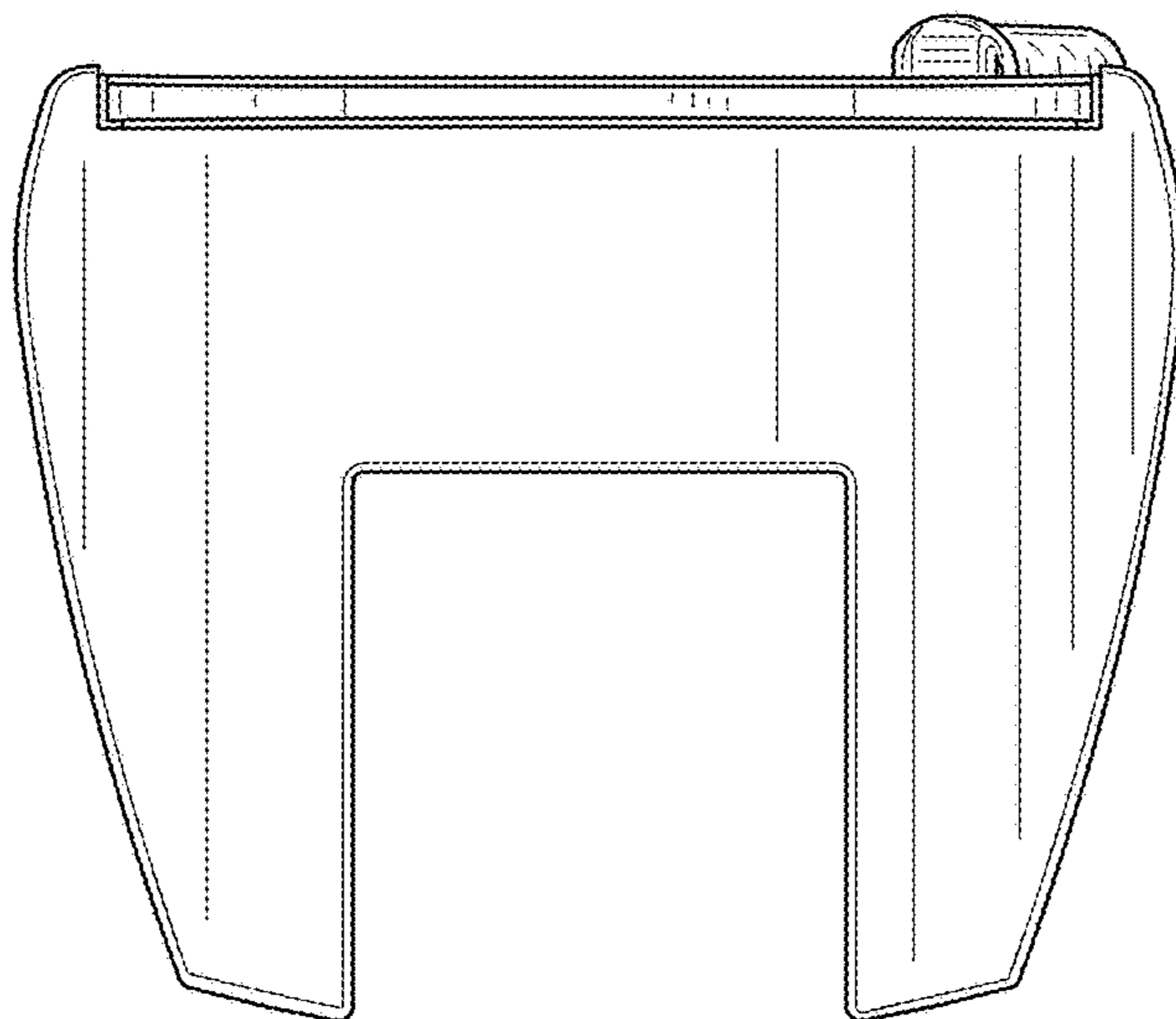


FIG.4

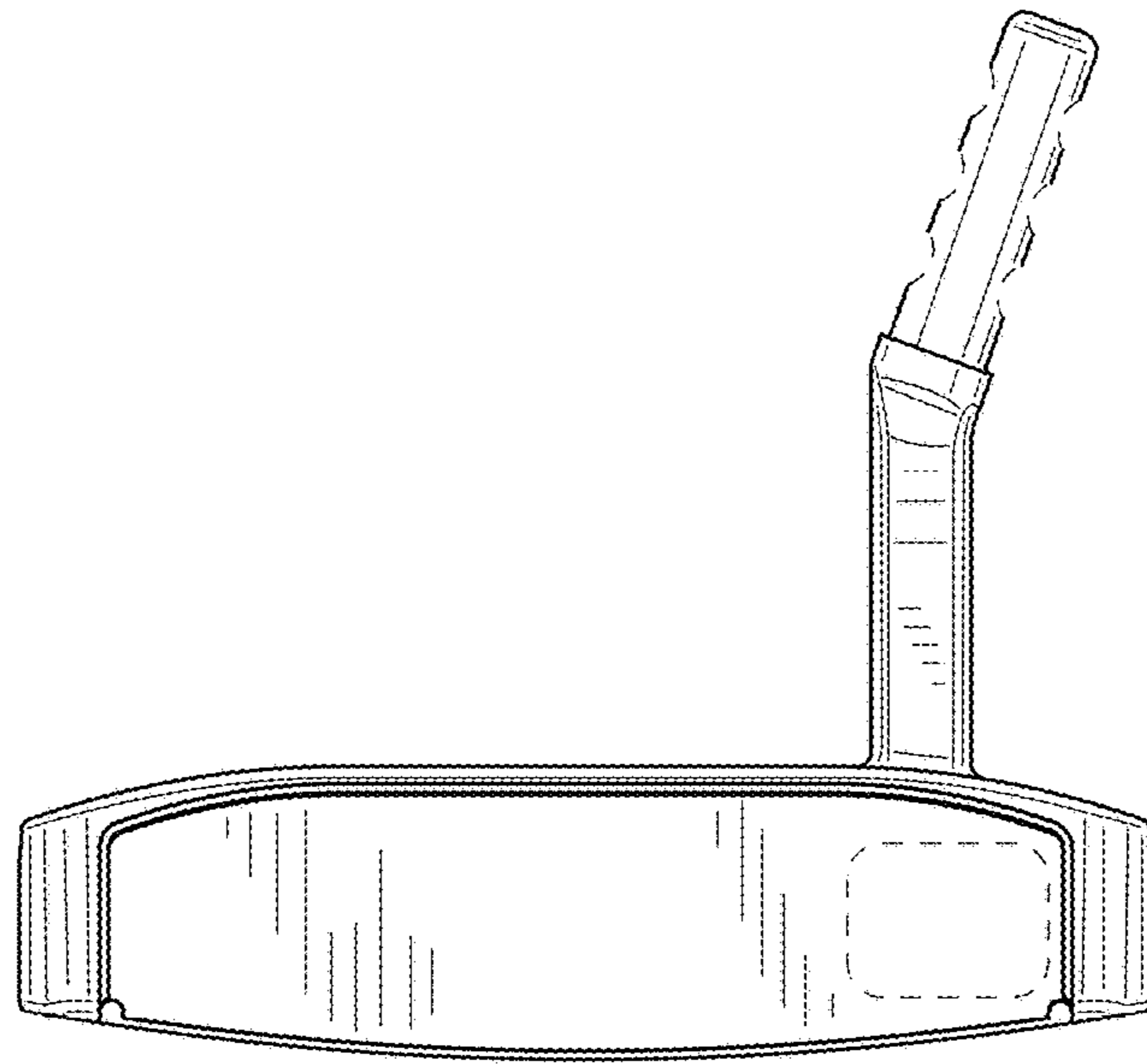


FIG.5

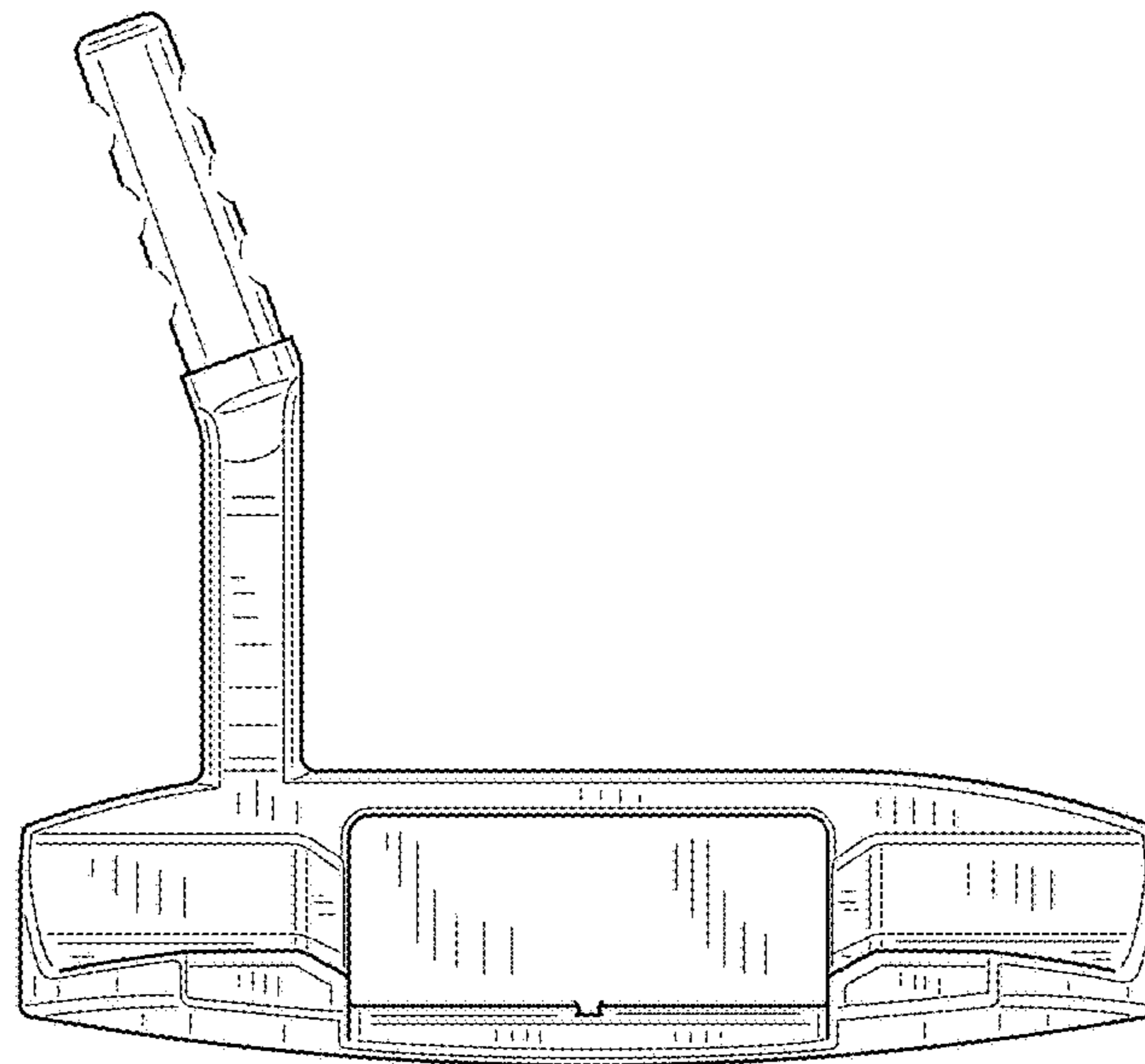


FIG.6

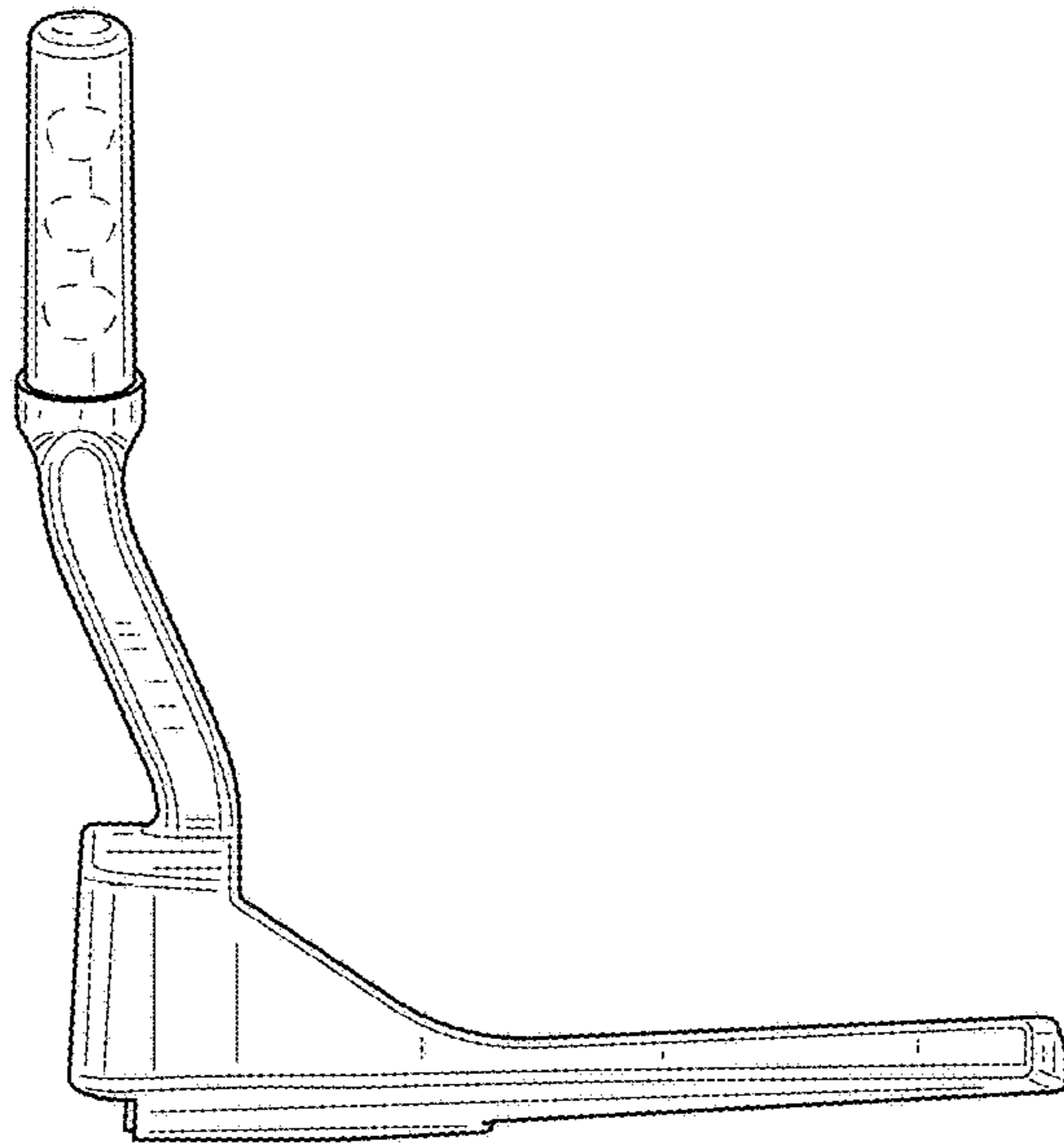


FIG.7

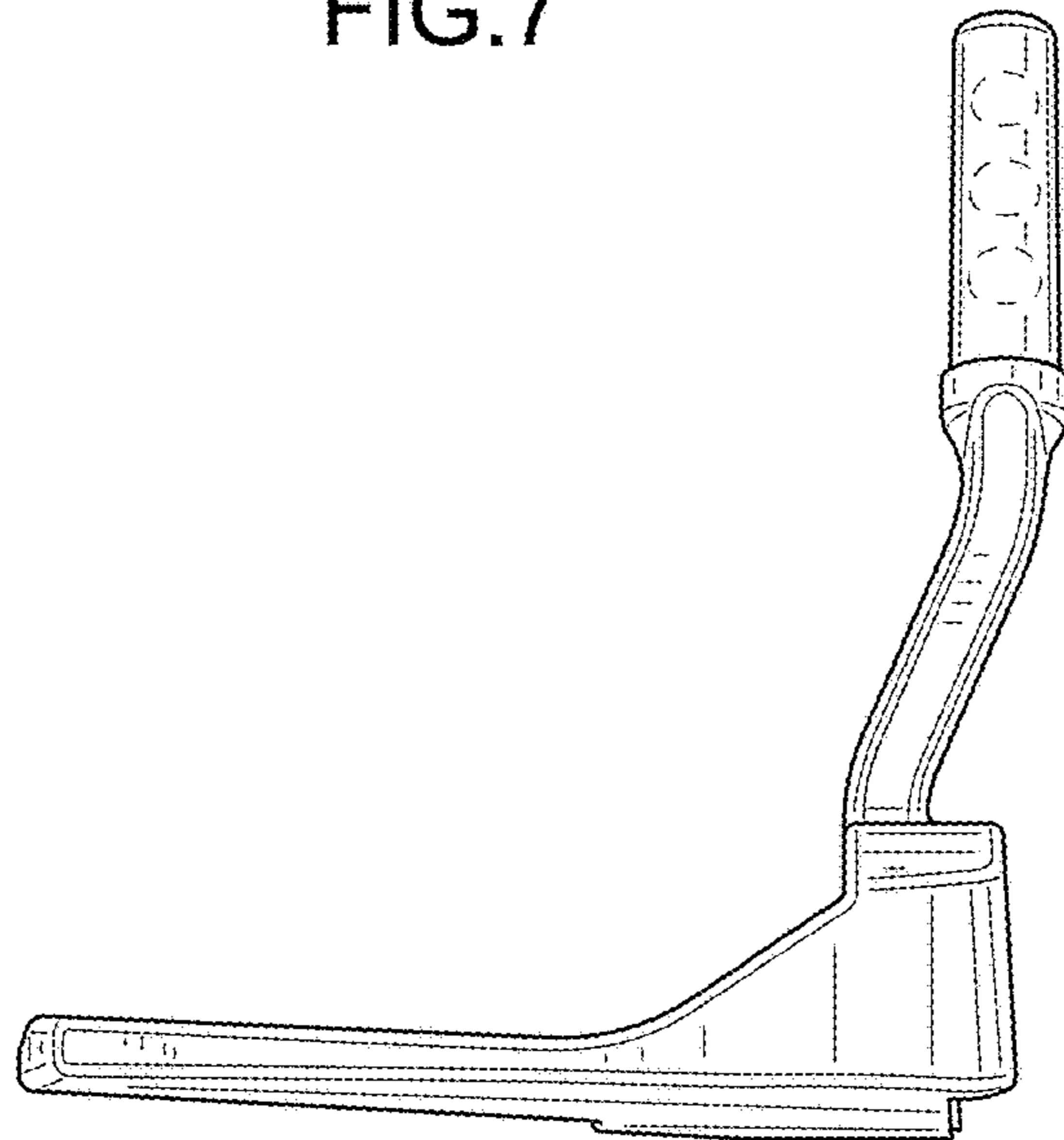


FIG.8

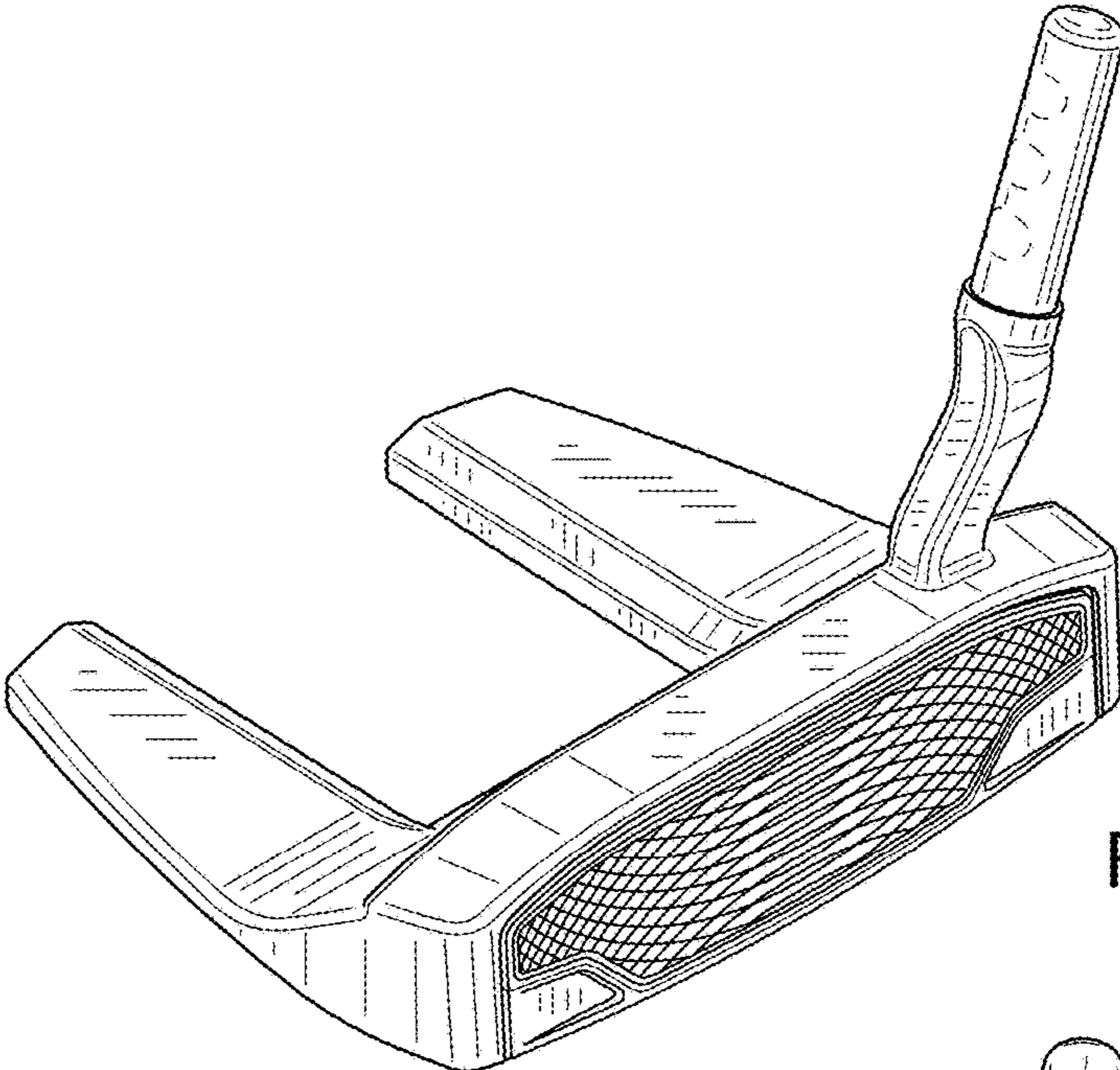


FIG. 9

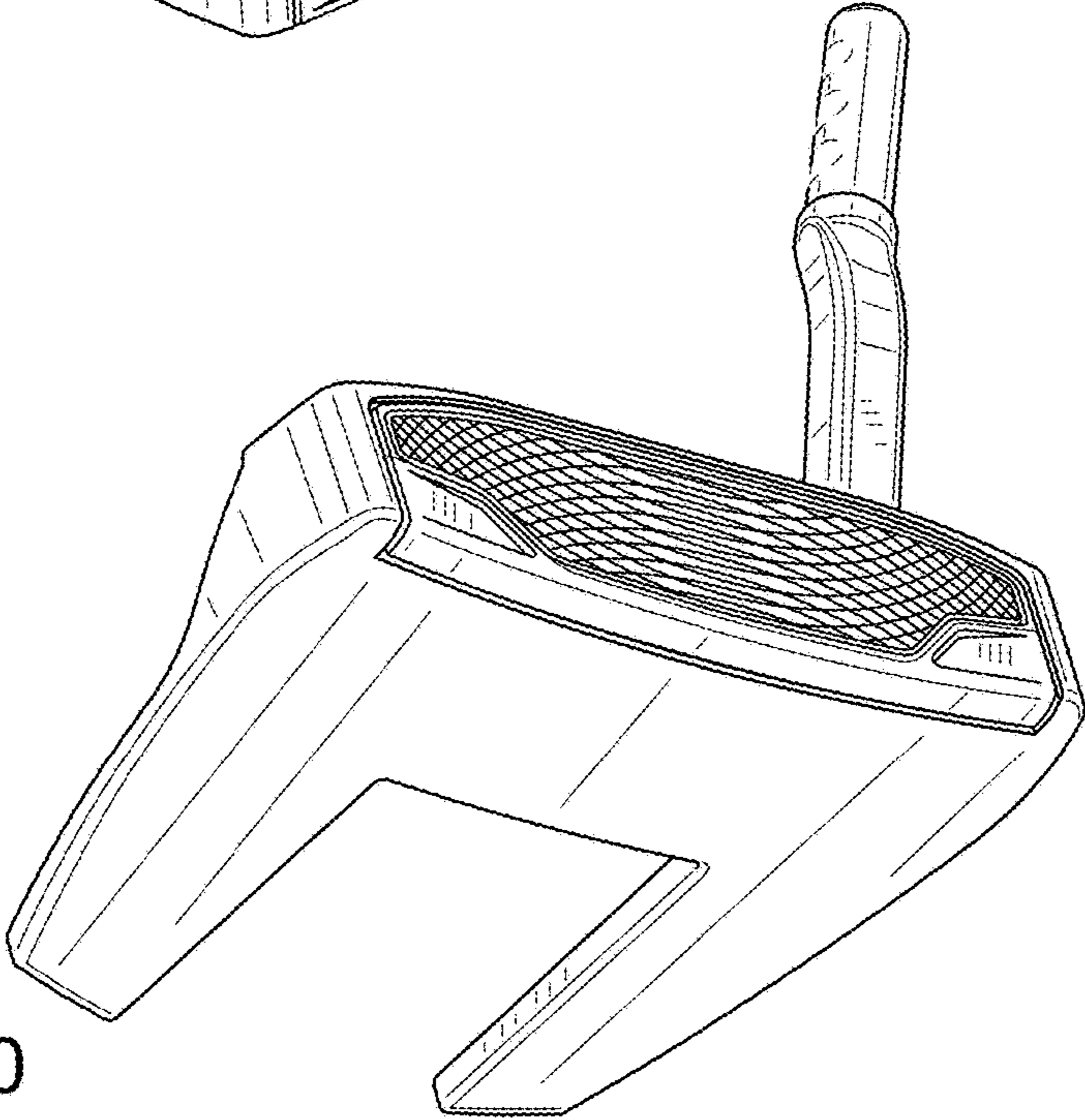


FIG. 10

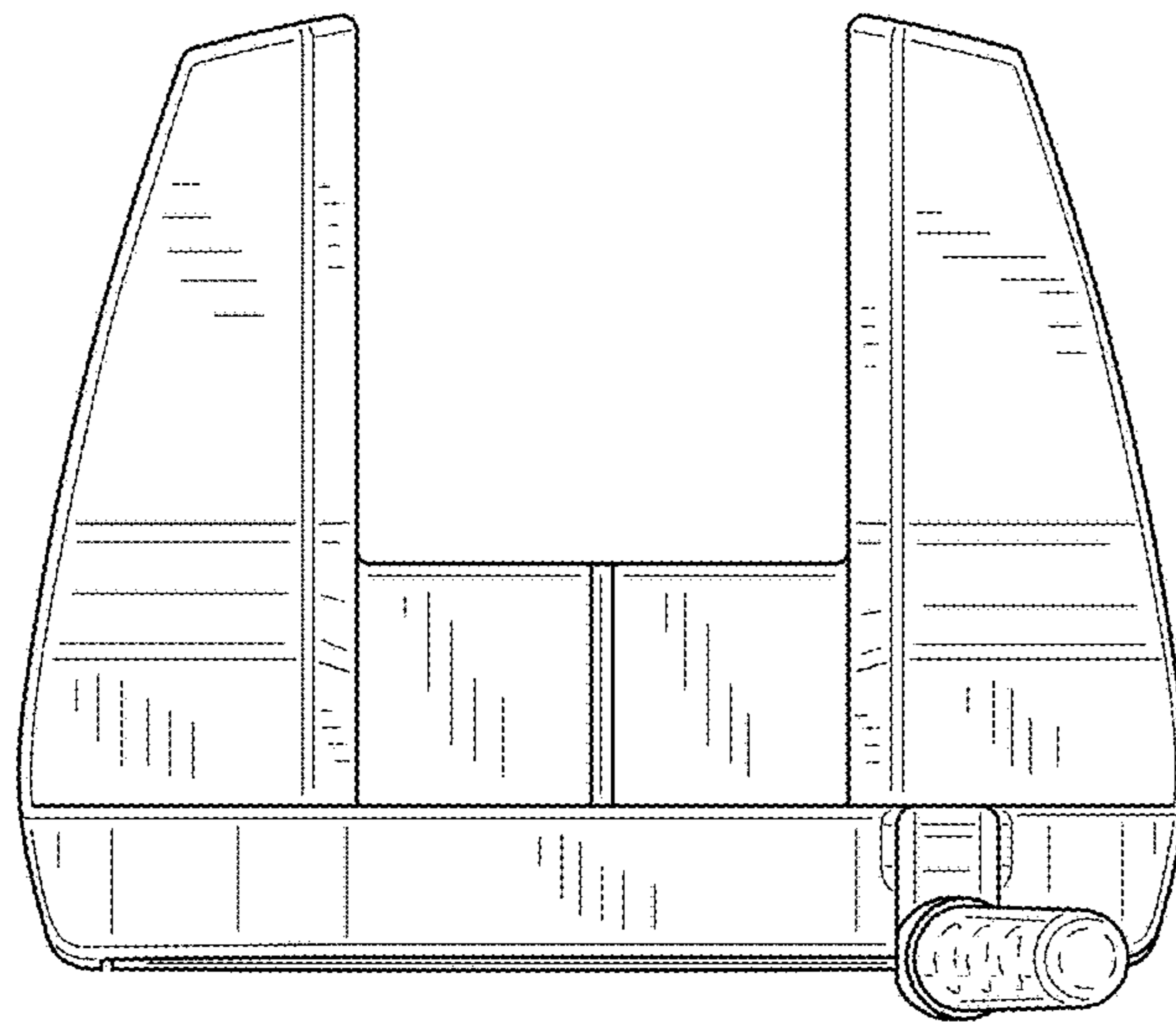


FIG. 11

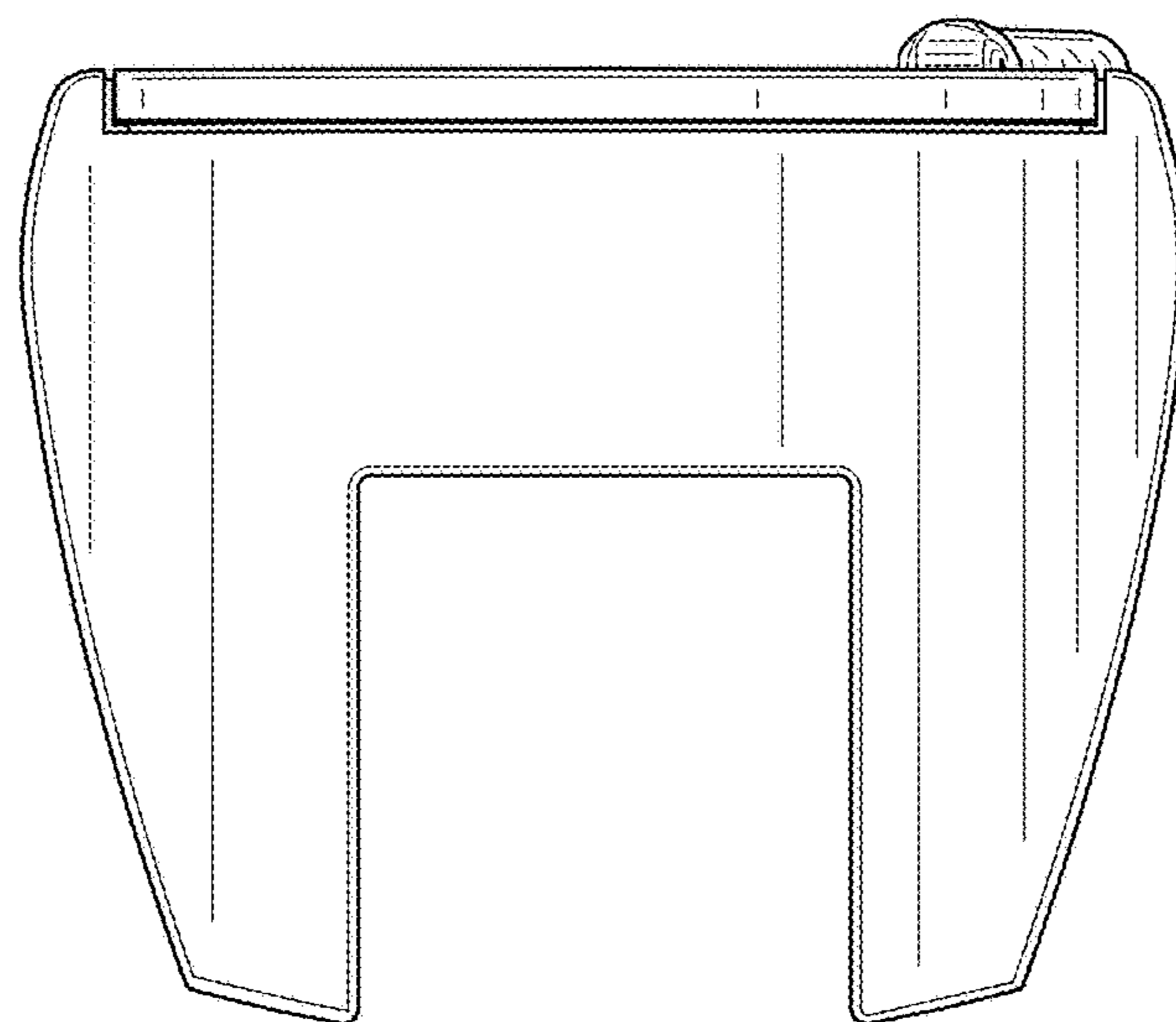


FIG. 12

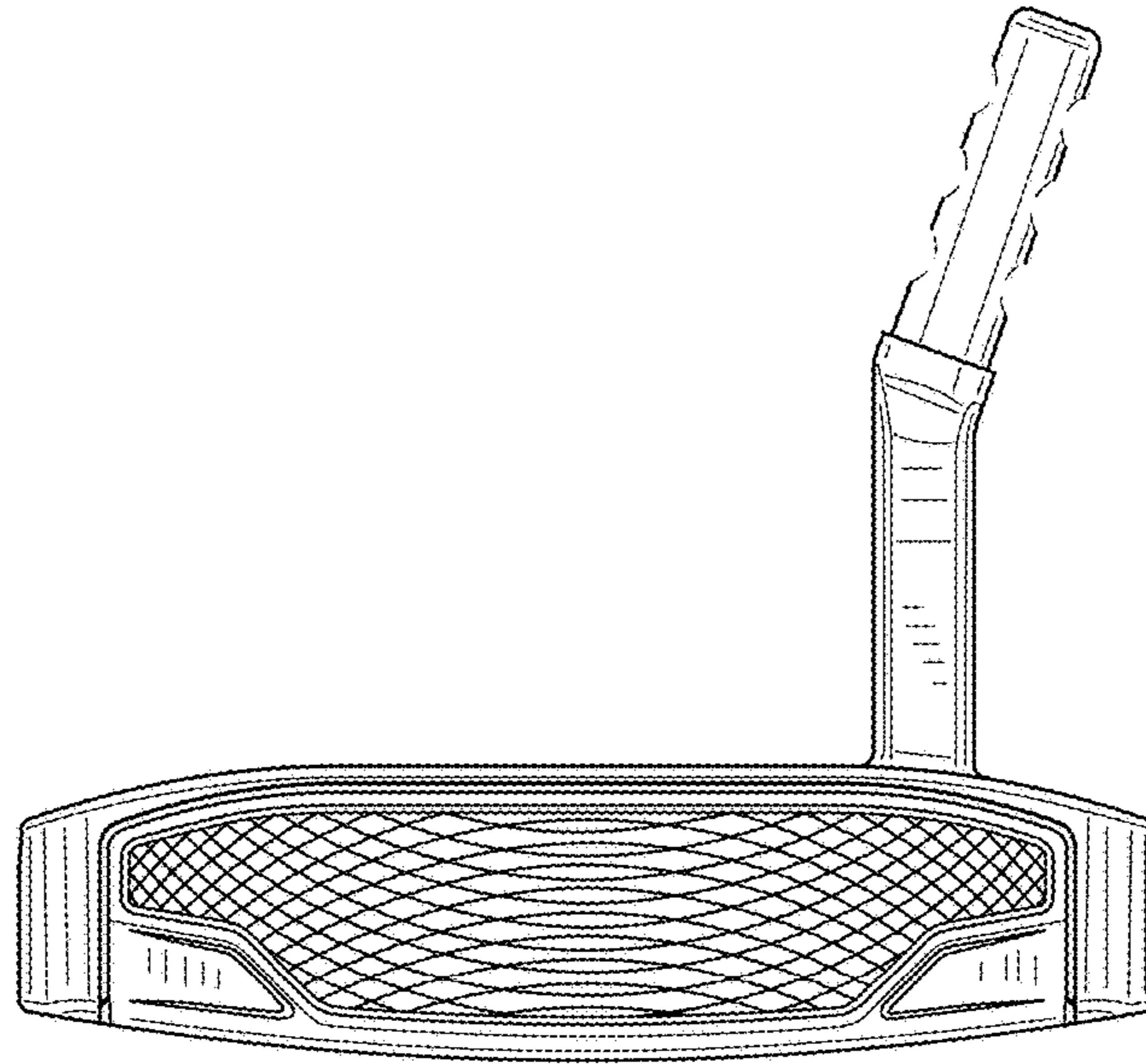


FIG.13

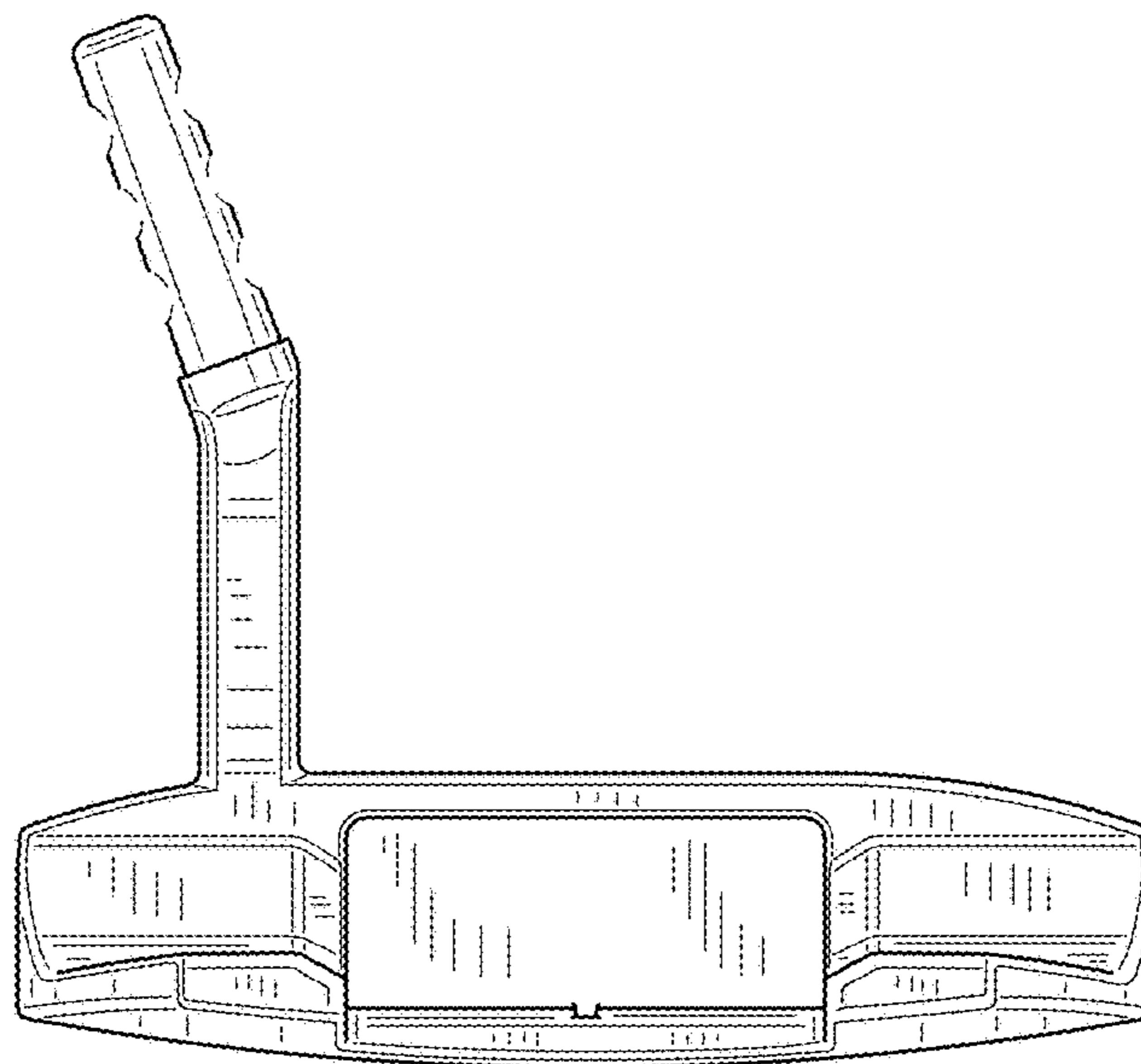


FIG.14

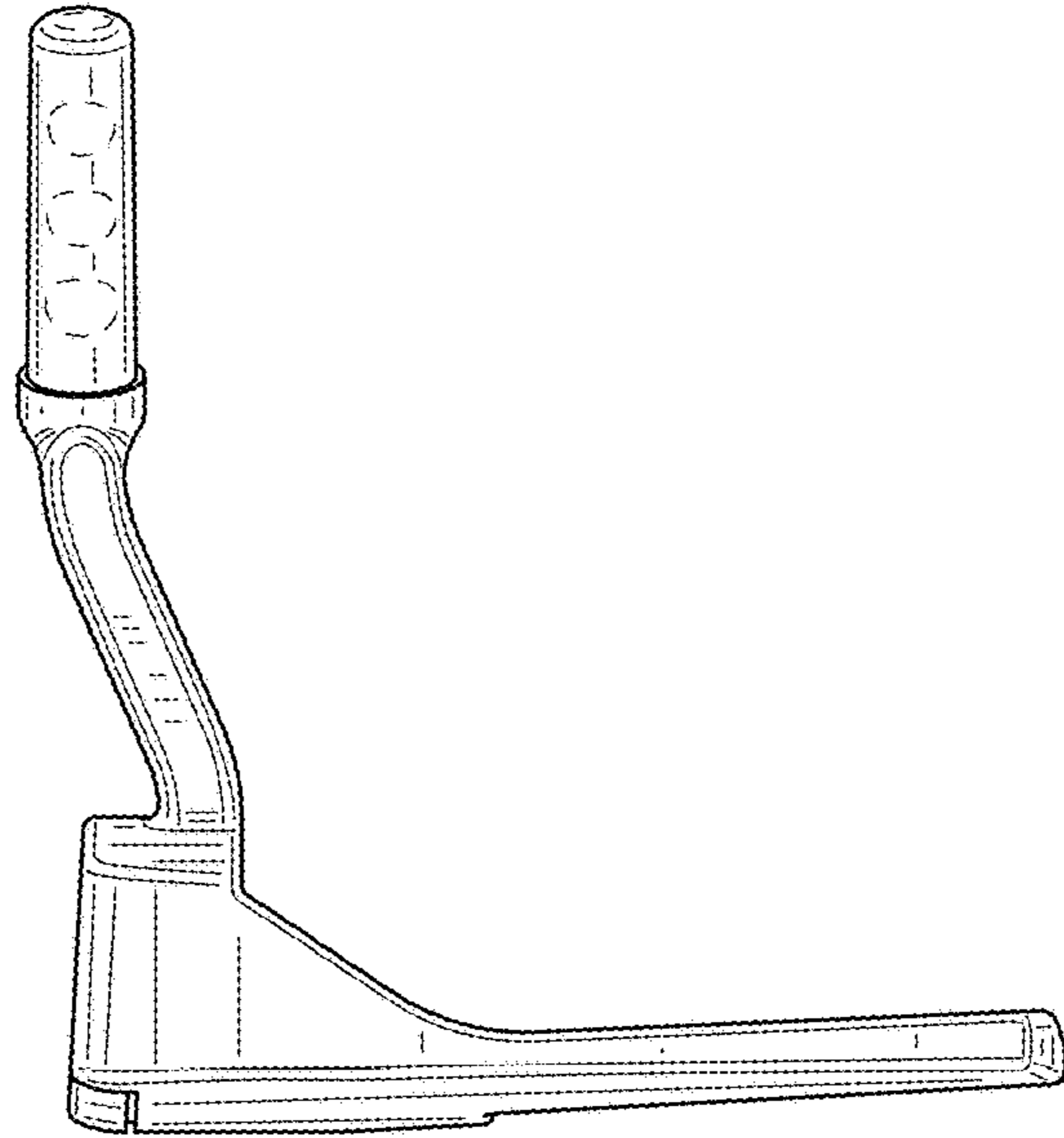


FIG.15

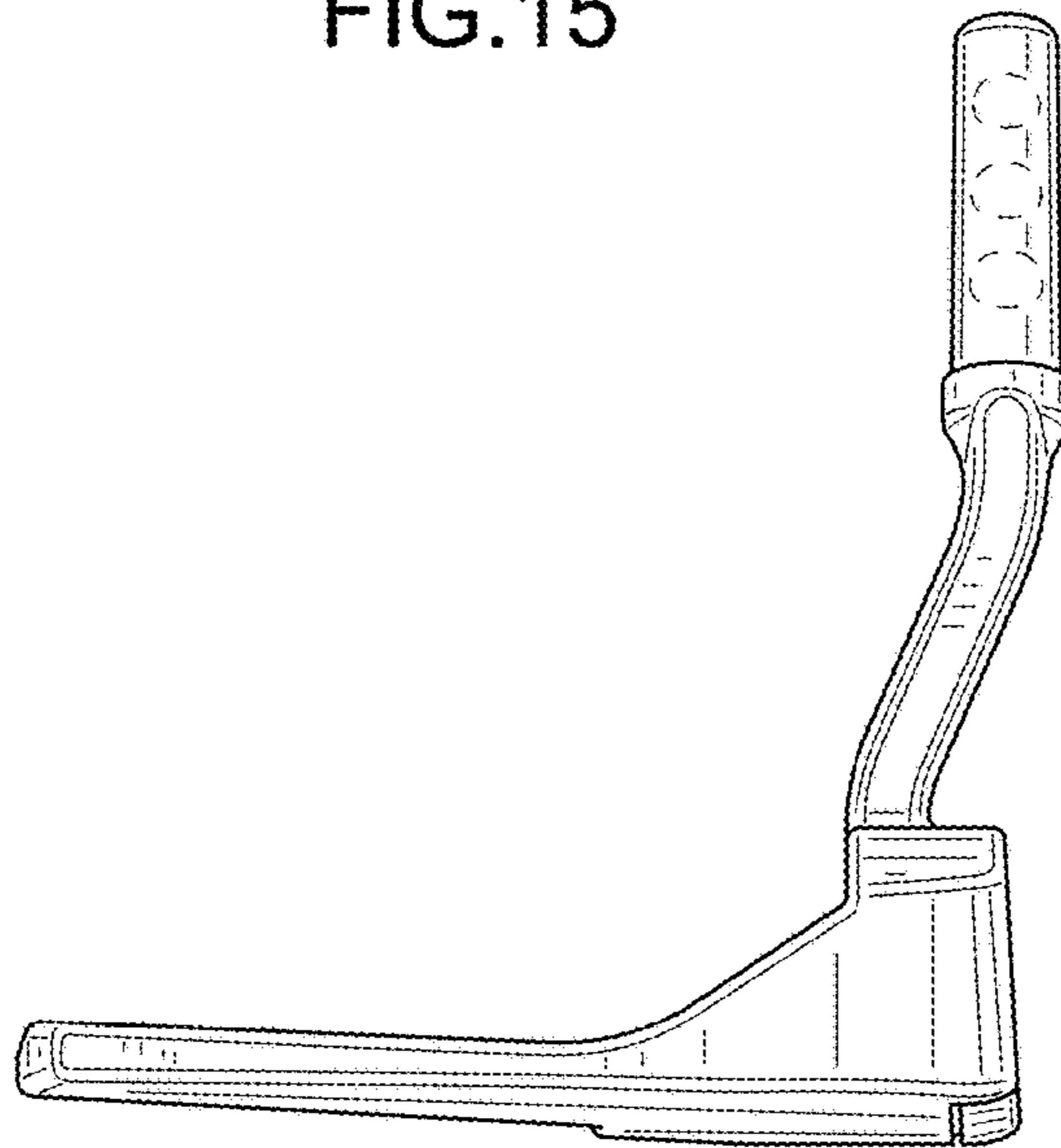


FIG.16