



US00D844720S

(12) **United States Design Patent** (10) **Patent No.:** **US D844,720 S**
Adams (45) **Date of Patent:** **** Apr. 2, 2019**

(54) **ATHLETIC BASKETBALL TRAINING TOOL**

(71) Applicant: **Mitchell Adams**, Oakland, CA (US)

(72) Inventor: **Mitchell Adams**, Oakland, CA (US)

(**) Term: **15 Years**

(21) Appl. No.: **29/627,215**

(22) Filed: **Nov. 23, 2017**

(51) **LOC (11) Cl.** **21-02**

(52) **U.S. Cl.**

USPC **D21/713; D21/781**

(58) **Field of Classification Search**

USPC D21/398, 707-714, 466, 698, 780, 781,
D21/788; D30/160; 473/569-577,
473/593-615; 119/707-711; 446/4, 5,
446/183, 184, 219, 220-227, 269, 270,
446/431, 437, 438, 439, 486; 428/11

CPC . A63B 37/00; A63B 37/0005; A63B 37/0098;
A63B 37/06; A63B 37/08; A63B 37/10;
A63B 37/12; A63B 37/14; A63B
2037/065; A63B 2037/082; A63B
2037/085; A63B 39/00; A63B 39/06;
A63B 39/08; A63B 2039/003; A63B
2039/006; A63B 41/00; A63B 41/08;
A63B 41/10; A63B 43/00; A63B 43/002;
A63B 43/005; A63B 43/008; A63B
43/02; A63B 43/04; A63B 43/06; A63B
2043/001; A63B 69/00; A63B 69/002;
A63B 69/0071; A63B 2069/0006; A63B
2243/00; A63B 2243/0025; A63B
2243/0037; A63B 2243/0066; A63B
2243/007; A63B 2225/01; A63H 33/18

See application file for complete search history.

(56) **References Cited**

U.S. PATENT DOCUMENTS

2,525,261 A * 10/1950 Henderson F25D 3/00
221/150 R
D340,489 S * 10/1993 Evangelista D21/713

5,269,514 A * 12/1993 Adler A63B 43/002
273/DIG. 20
5,269,526 A * 12/1993 Wollstein A63B 39/00
473/159
5,588,648 A * 12/1996 Stebbins A63B 37/02
473/451
D483,424 S * 12/2003 Lowinger D21/713
D508,092 S * 8/2005 Williams-Nicholas D21/405
D511,029 S * 10/2005 Willinger D21/713
D517,137 S * 3/2006 Kuehne D21/713
D544,053 S * 6/2007 Krysiak D21/713
D550,778 S * 9/2007 Cooper D21/406
D698,875 S * 2/2014 Childs D21/662
D822,295 S * 7/2018 Woods D30/160
2003/0045383 A1 * 3/2003 Jiminez A63B 41/08
473/597
2010/0216579 A1 * 8/2010 Williams A63B 65/00
473/613

(Continued)

Primary Examiner — Catherine A Tuttle

(57) **CLAIM**

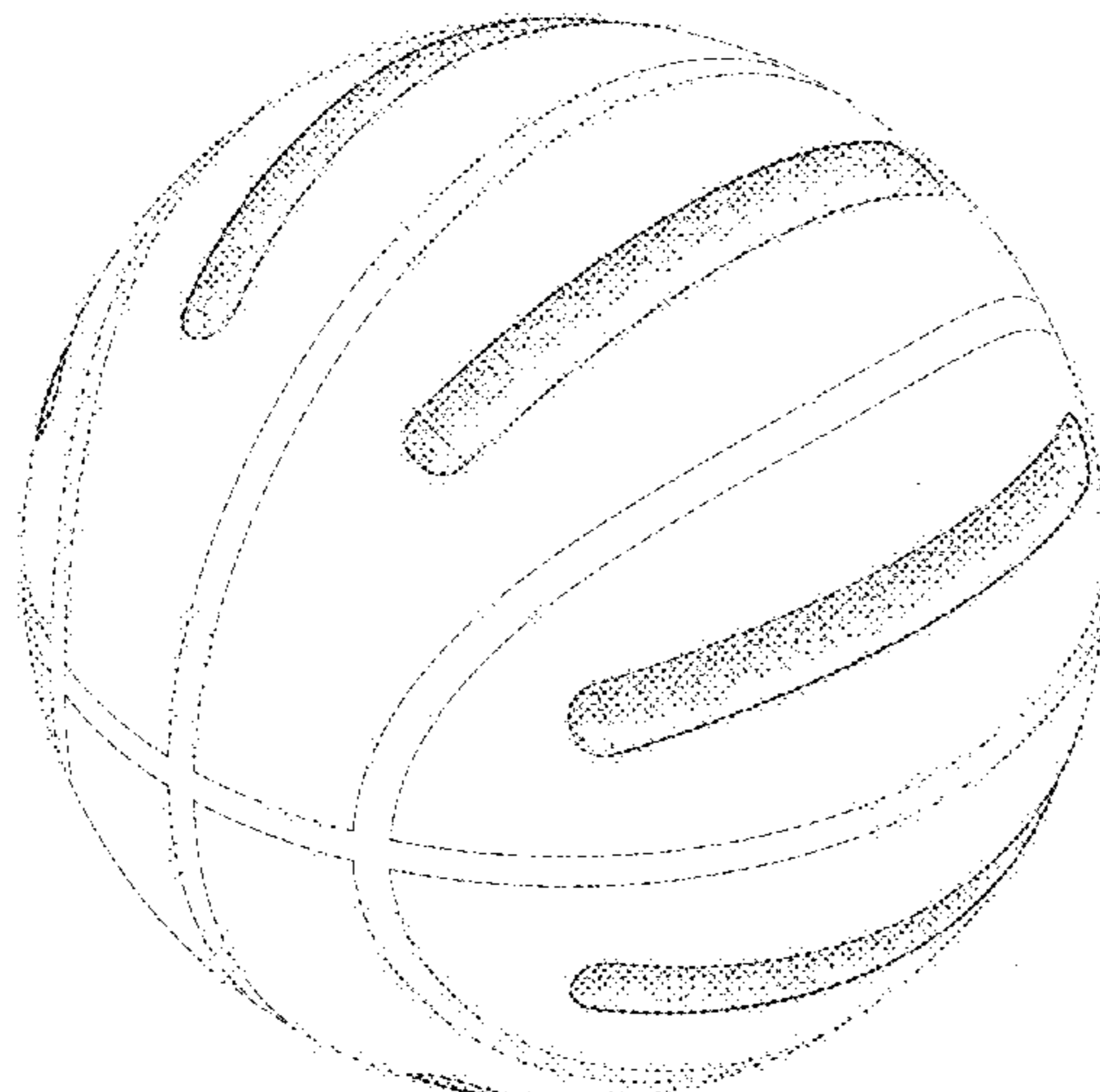
The ornamental design for an athletic basketball training tool, substantially as shown and described.

DESCRIPTION

FIG. 1 is a front perspective view of an athletic basketball training tool showing my new design.
FIG. 2 is a front elevation view thereof.
FIG. 3 is a rear elevation view thereof.
FIG. 4 is a right side view thereof.
FIG. 5 is a left side view thereof.
FIG. 6 is a top view thereof; and,
FIG. 7 is a bottom view thereof.

The broken lines are for the purpose of illustrating the portions of the athletic basketball training tool that form no part of the claimed design.

1 Claim, 7 Drawing Sheets



(56)

References Cited

U.S. PATENT DOCUMENTS

2013/0260927 A1* 10/2013 Thurman A63B 41/08
473/595
2017/0173830 A1* 6/2017 Lewis B29C 45/006

* cited by examiner

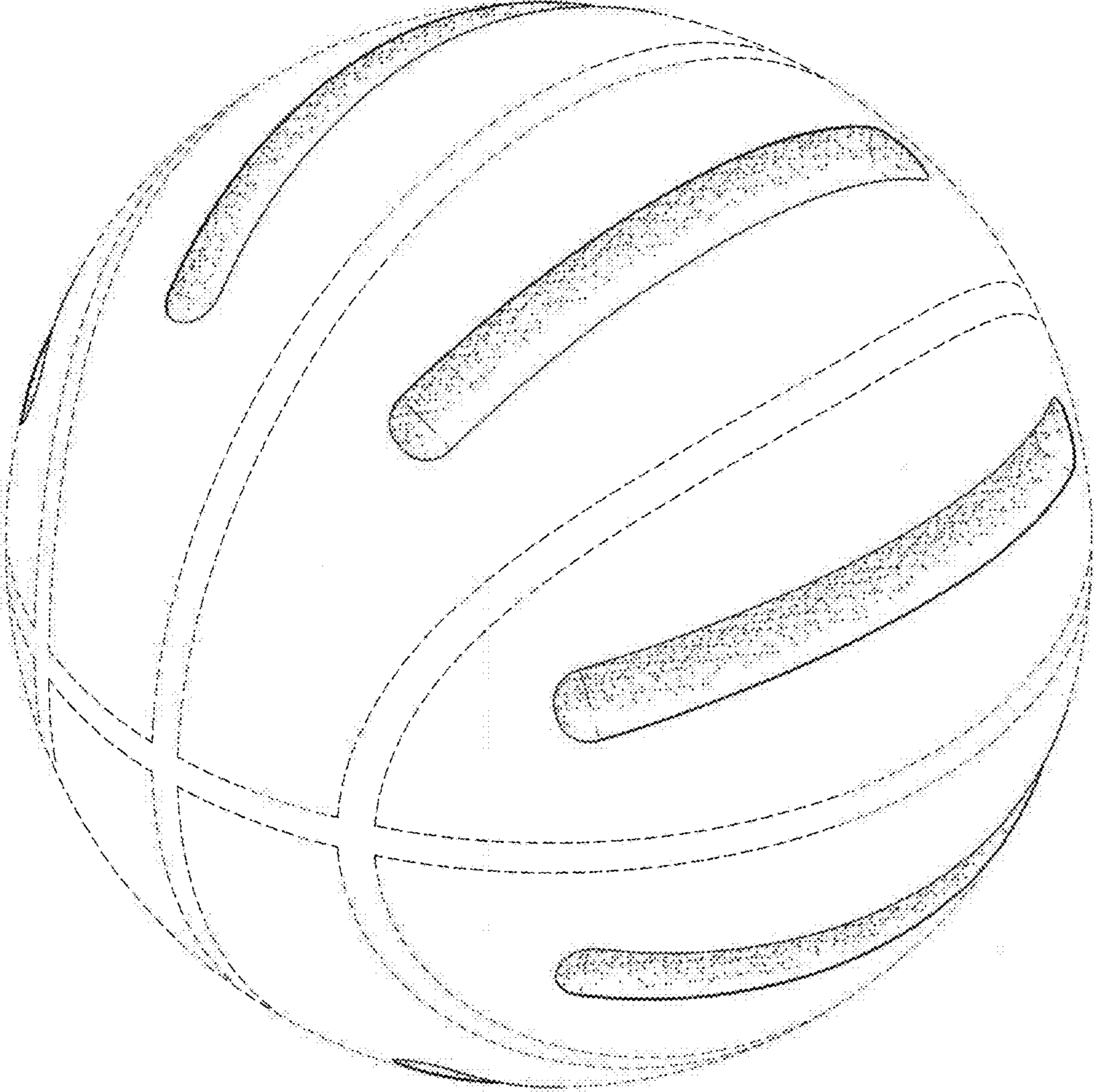


FIG. 1

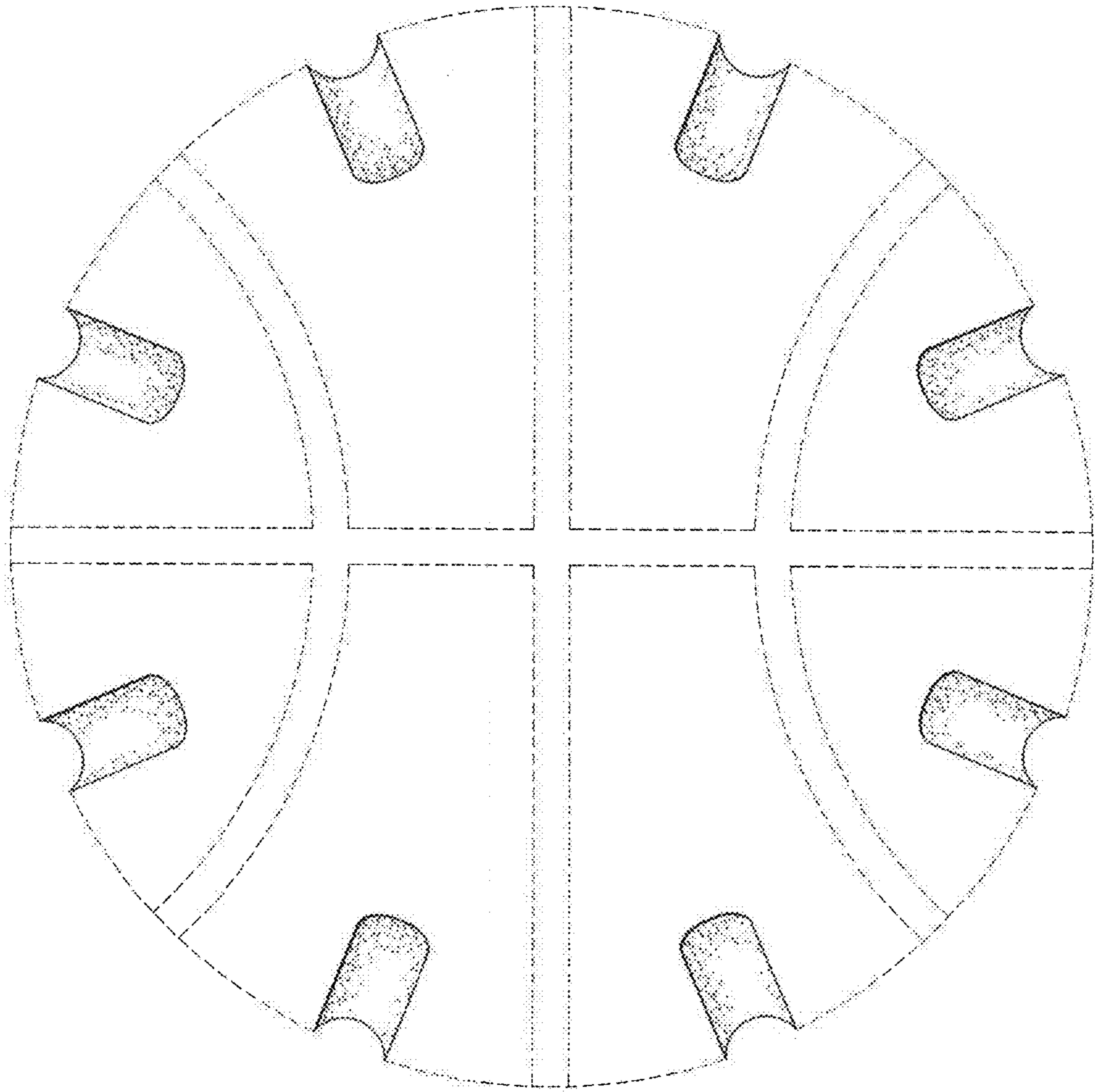


FIG. 2

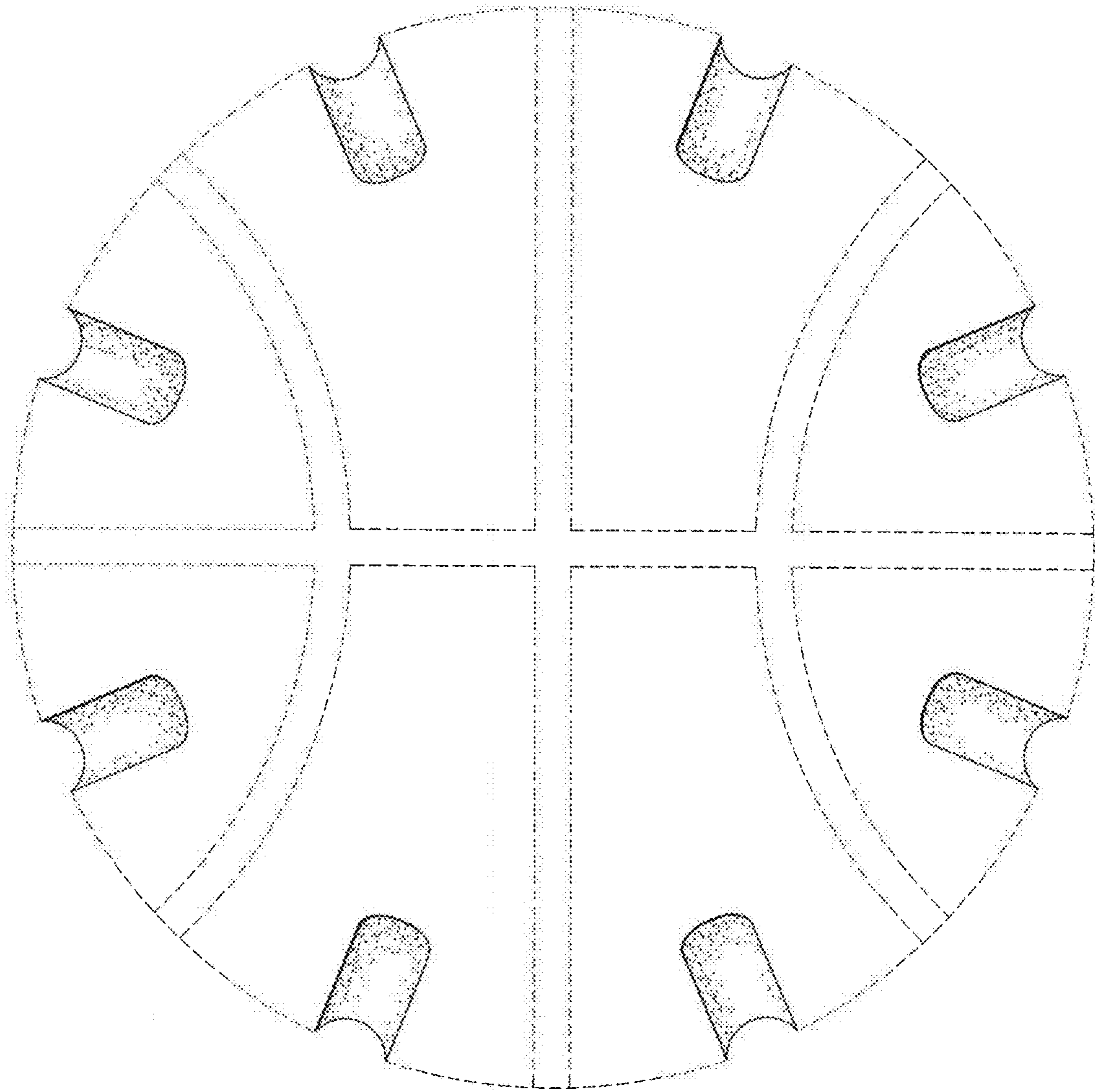


FIG. 3

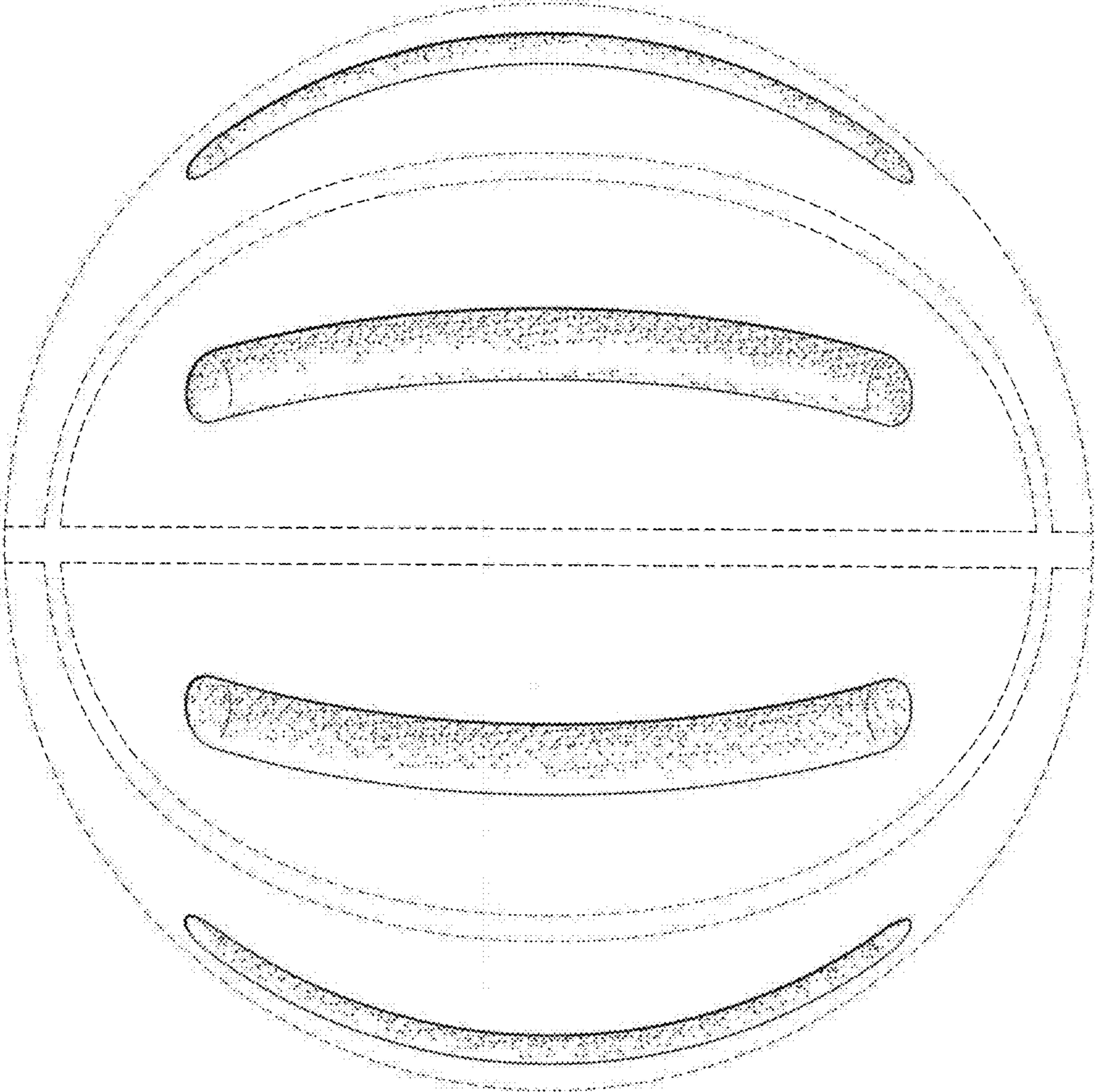


FIG. 4

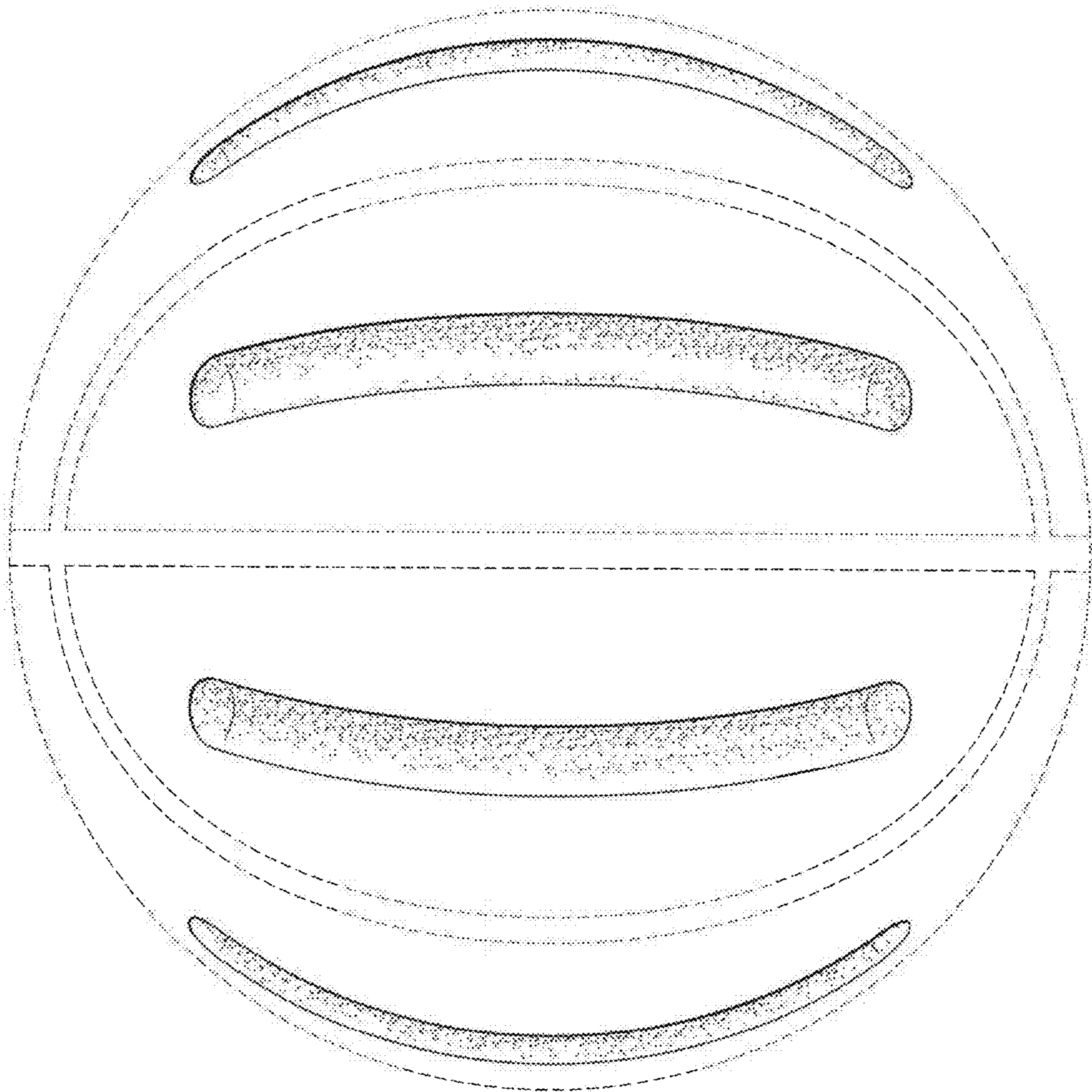


FIG. 5

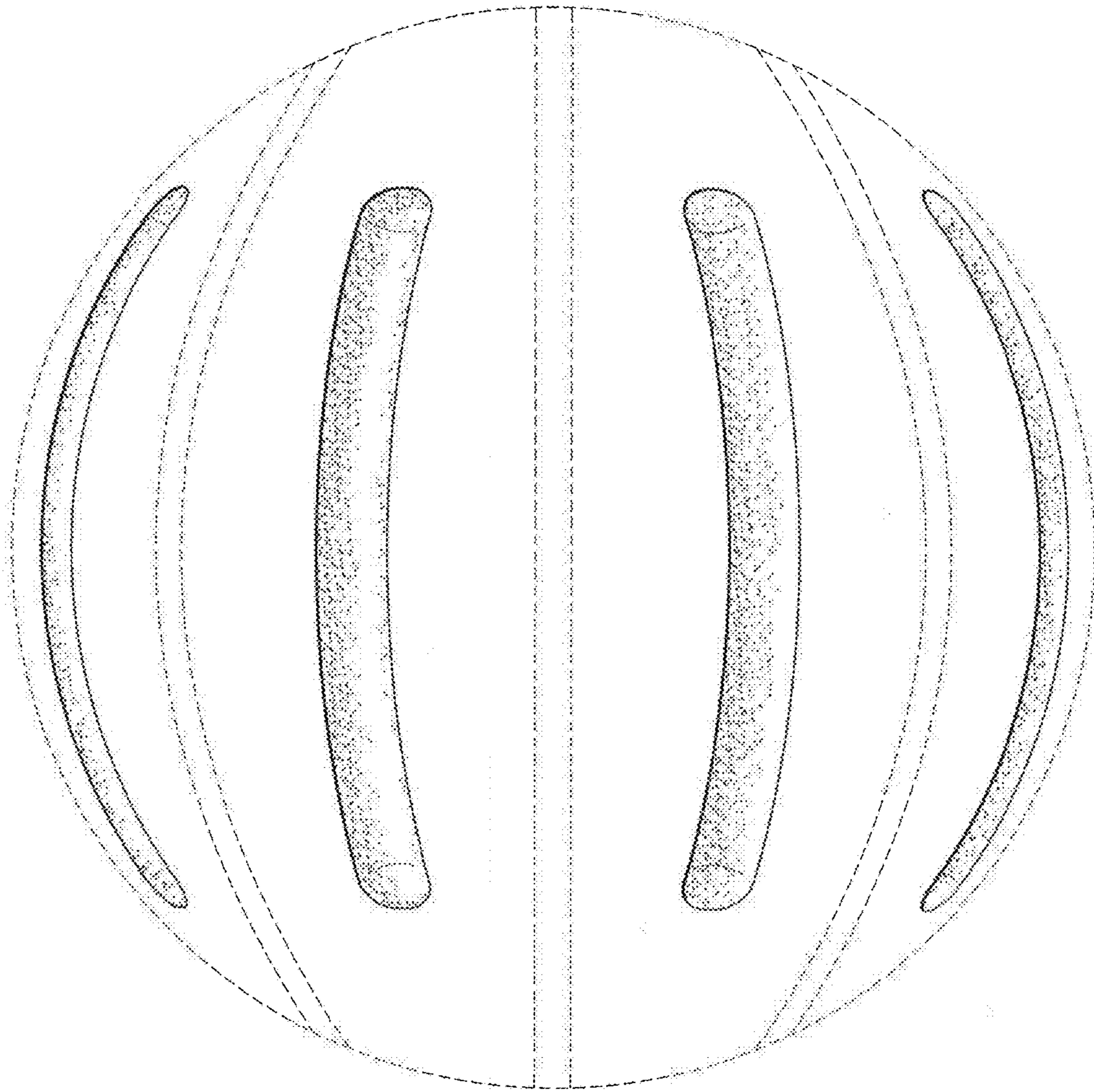


FIG. 6

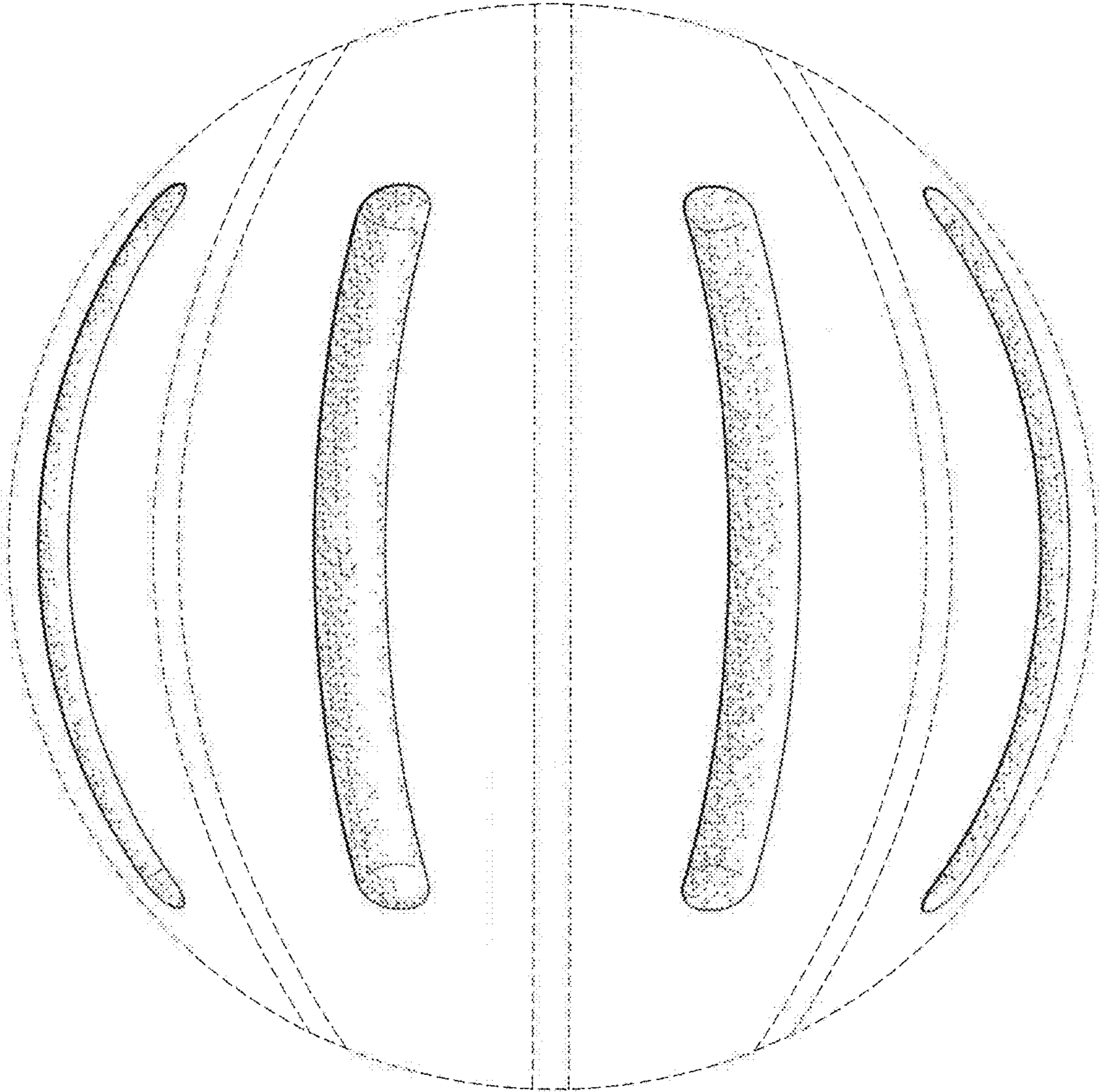


FIG. 7