



US00D844718S

(12) **United States Design Patent** (10) **Patent No.:** **US D844,718 S**
Buikema (45) **Date of Patent:** **** Apr. 2, 2019**

(54) **ADJUSTABLE FITNESS KETTLEBELL HANDLE**

9,814,421 B2 * 11/2017 Edwards A61B 5/221
D804,592 S * 12/2017 Wittmack D21/681
2007/0135274 A1 * 6/2007 Blateri A63B 21/075
482/109

(71) Applicant: **Hyper Wear, Inc.**, Austin, TX (US)

(Continued)

(72) Inventor: **Dirk Buikema**, Austin, TX (US)

(73) Assignee: **Hyper Wear, Inc.**, Austin

(**) Term: **15 Years**

(21) Appl. No.: **29/617,003**

(22) Filed: **Sep. 11, 2017**

(51) **LOC (11) Cl.** **21-02**

(52) **U.S. Cl.**
USPC **D21/682**

(58) **Field of Classification Search**
USPC D21/680, 682, 681, 686, 662; 482/108,
482/93, 107, 98, 91, 139, 104
CPC . A63B 21/075; A63B 21/0728; A63B 21/072;
A63B 21/00065; A63B 21/0726; A63B
21/063

See application file for complete search history.

(56) **References Cited**

U.S. PATENT DOCUMENTS

D203,279 S * 12/1965 Spackman 482/91
D537,700 S * 3/2007 Demar D8/107
D571,418 S * 6/2008 Gormley D21/680
7,491,157 B1 * 2/2009 Lin A63B 21/0728
482/107
7,563,208 B1 * 7/2009 Chen A63B 21/0728
482/108
7,731,640 B1 * 6/2010 Chen A63B 21/075
482/108
D651,672 S * 1/2012 Towley, III D21/681
D652,877 S * 1/2012 Dalebout D21/682
D653,715 S * 2/2012 Tumminia D21/662
D664,613 S * 7/2012 Dalebout D21/682
8,684,889 B1 * 4/2014 Berrisford A63B 21/4035
482/107
9,327,159 B1 * 5/2016 Medina A63B 21/072

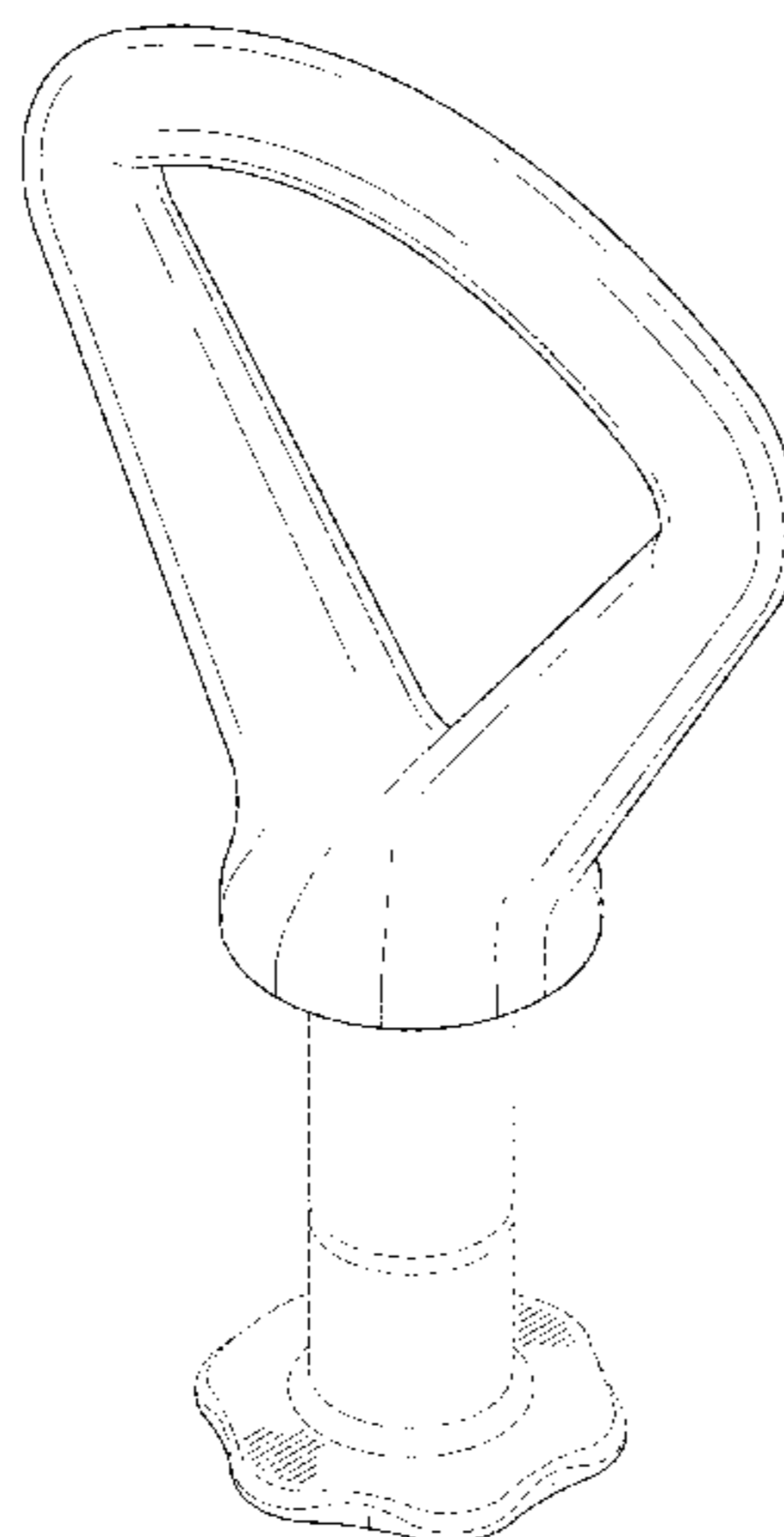
OTHER PUBLICATIONS
Softbell by Hyperwear dated Oct. 27, 2017. Found online [Jun. 13, 2018] <https://hyperwear.com/product/softbell-soft-kettlebell/>.*

Primary Examiner — Ryan Harvey
(74) Attorney, Agent, or Firm — Baker Botts L.L.P.

(57) **CLAIM**
The ornamental design for an adjustable fitness kettlebell handle, as shown.

DESCRIPTION
FIG. 1 is a front perspective view of the adjustable fitness kettlebell handle;
FIG. 2 is a front elevation view of the adjustable fitness kettlebell handle;
FIG. 3 is a rear elevation view of the adjustable fitness kettlebell handle;
FIG. 4 is a right side view of the adjustable fitness kettlebell handle;
FIG. 5 is a left side view of the adjustable fitness kettlebell handle;
FIG. 6 is a top view of the adjustable fitness kettlebell handle;
FIG. 7 is a bottom view of the adjustable fitness kettlebell handle; and,
FIG. 8 is a bottom perspective view of the adjustable fitness kettlebell handle.
The broken line showing of details in FIGS. 1-8 is included for the purpose of showing environmental portions of the design. No claim is made to the portions shown in broken line.

1 Claim, 6 Drawing Sheets



(56)

References Cited

U.S. PATENT DOCUMENTS

2008/0081744 A1* 4/2008 Gormley A63B 21/072
482/93
2010/0190619 A1* 7/2010 Chen A63B 21/072
482/108
2010/0331151 A1* 12/2010 Signorile A63B 21/00196
482/93
2011/0263392 A1* 10/2011 Yu A63B 21/072
482/93
2011/0275494 A1* 11/2011 Radi A63B 21/0602
482/93
2012/0252641 A1* 10/2012 Odneal A63B 21/072
482/108
2013/0210589 A1* 8/2013 Thompson A63B 21/0726
482/108
2014/0024506 A1* 1/2014 Vixathep A63B 21/0726
482/108
2014/0057764 A1* 2/2014 Klukas A63B 15/00
482/109
2015/0105224 A1* 4/2015 Odneal A63B 21/0726
482/107
2015/0196792 A1* 7/2015 Towley A63B 21/075
482/93
2017/0246495 A1* 8/2017 Wyncott A63B 21/075

* cited by examiner

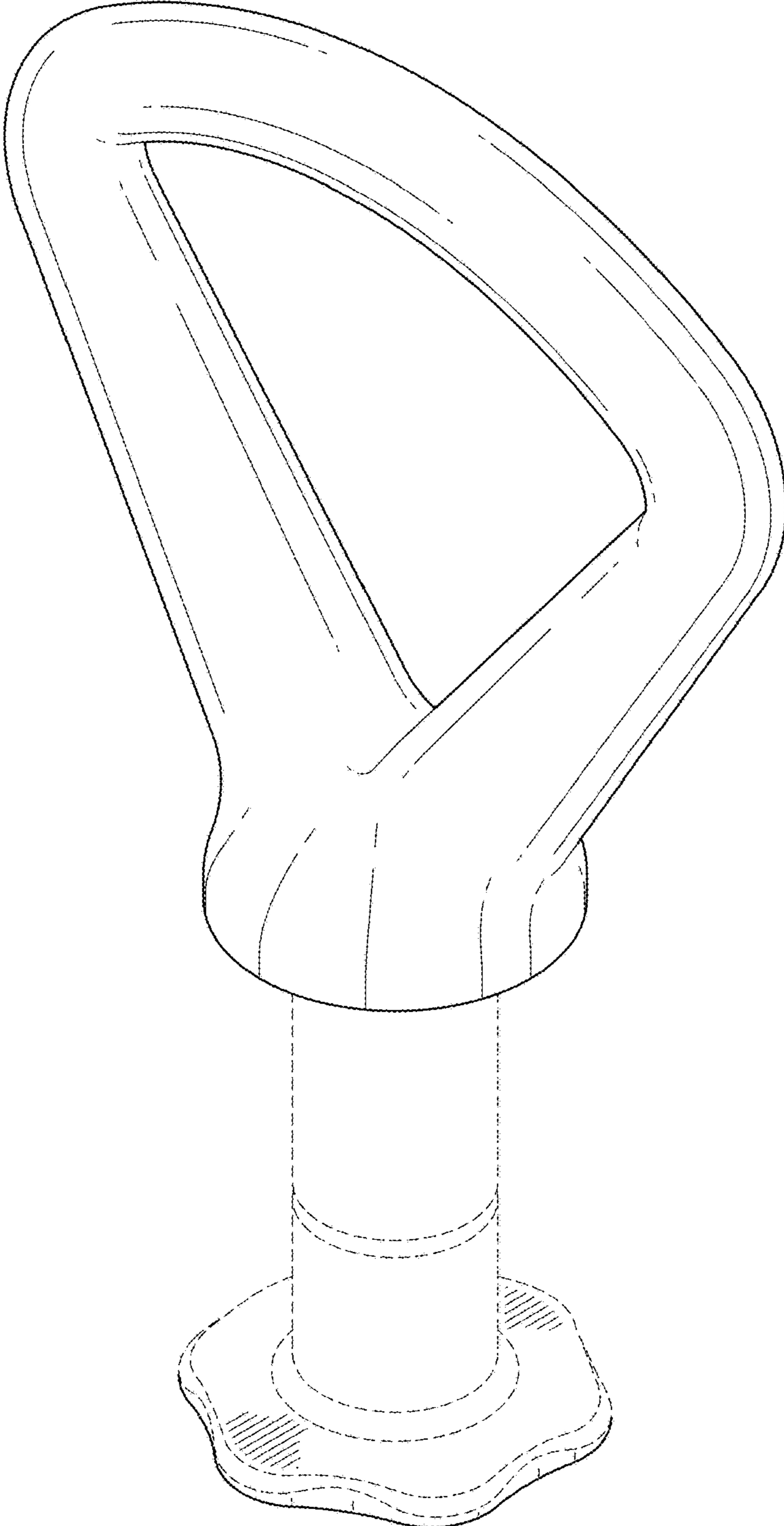


FIG. 1

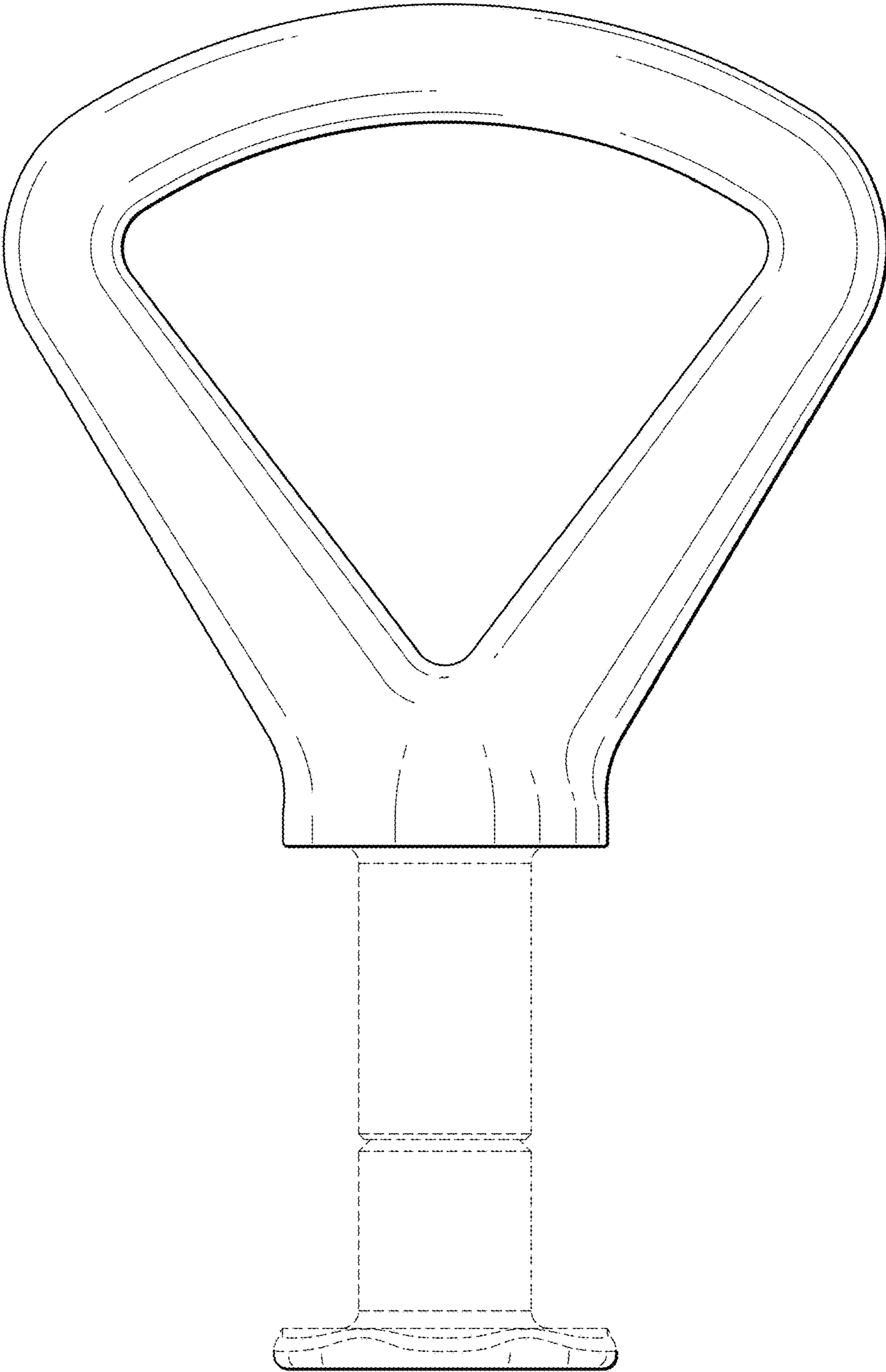


FIG. 2

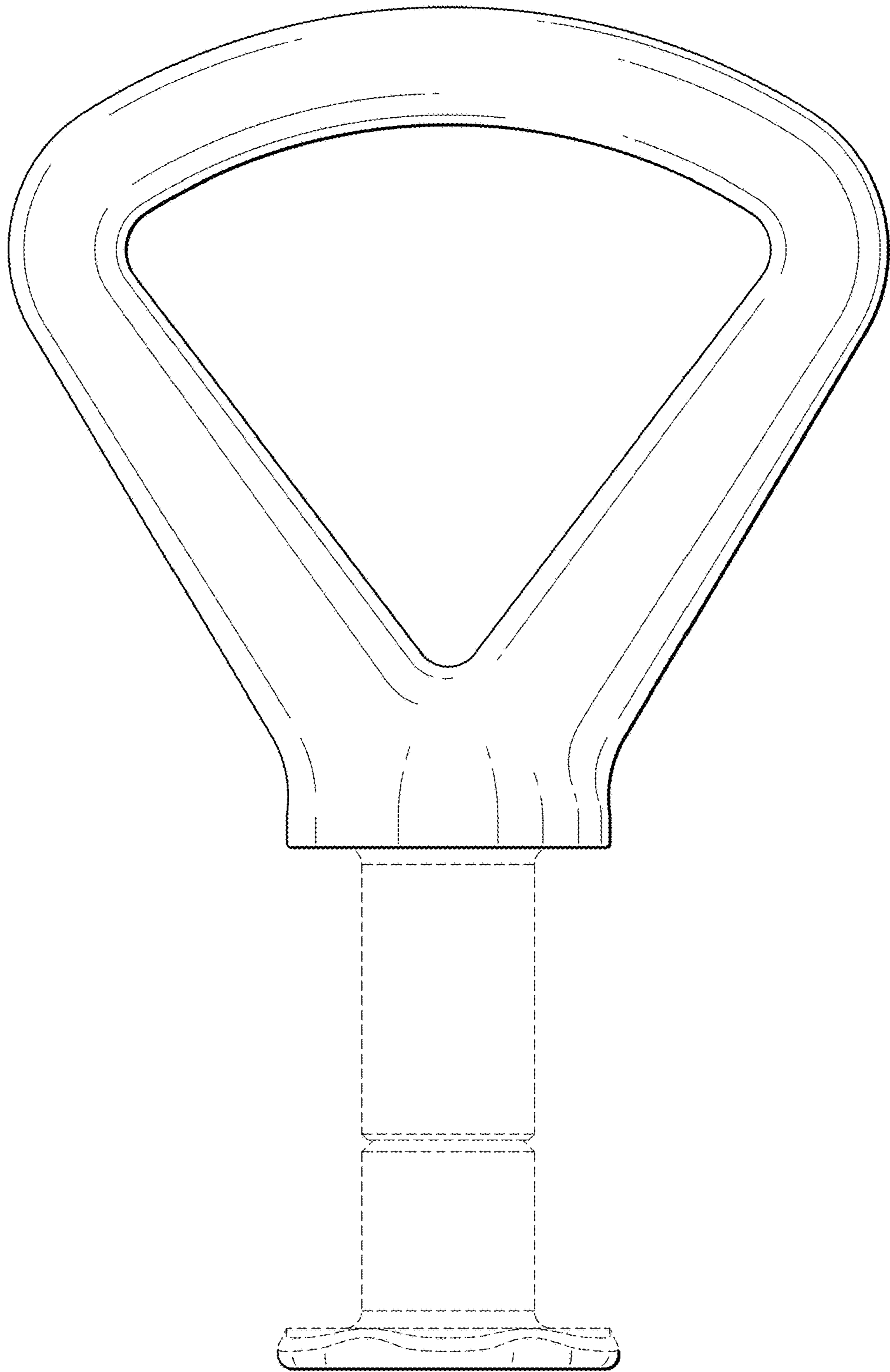


FIG. 3

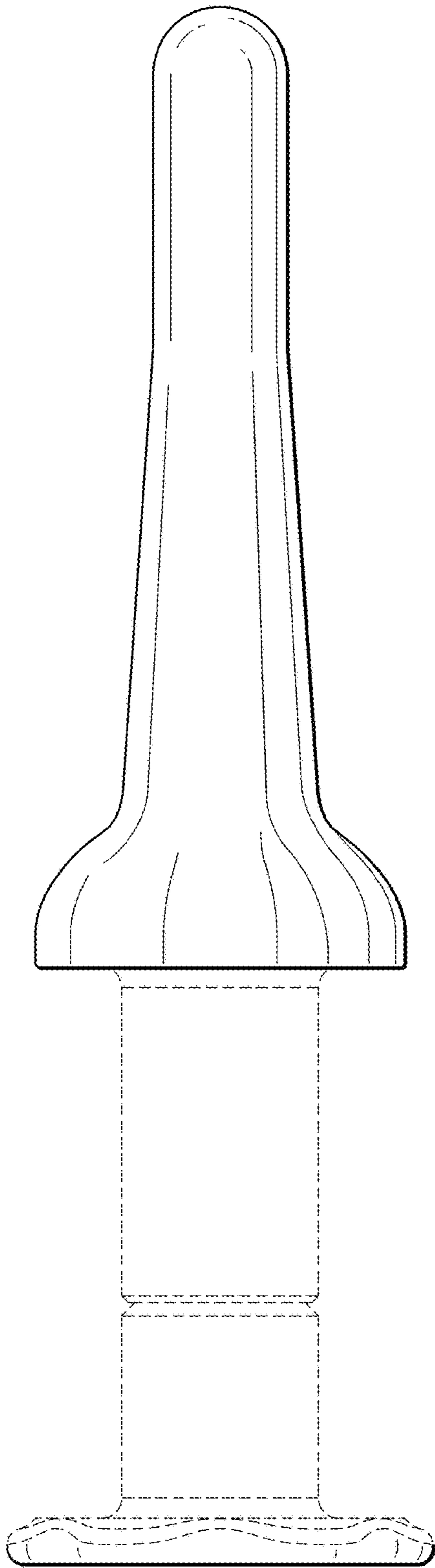


FIG. 4

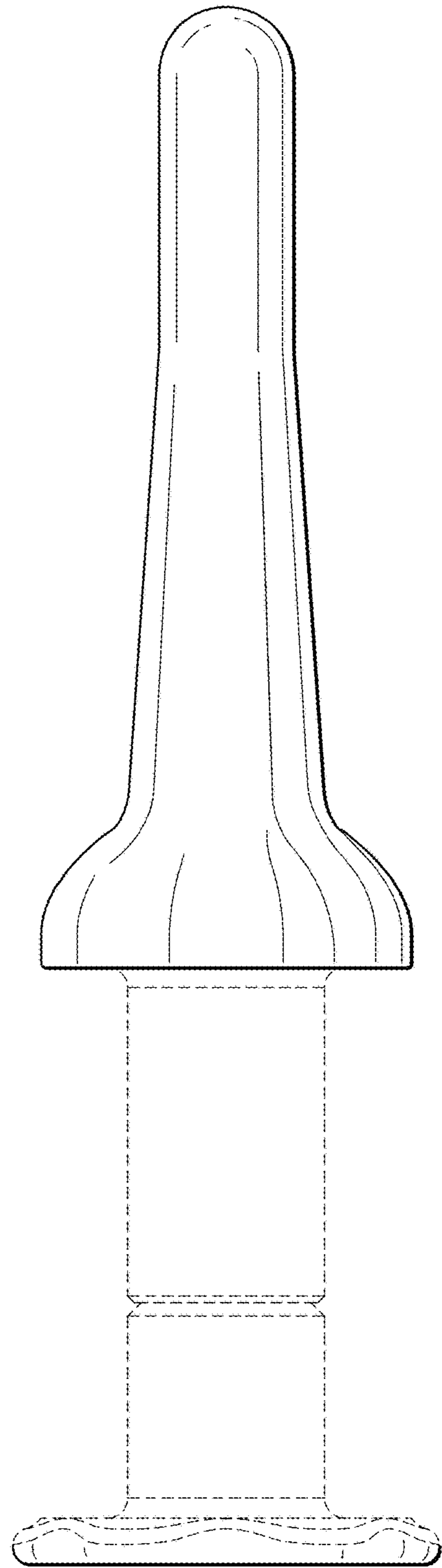


FIG. 5

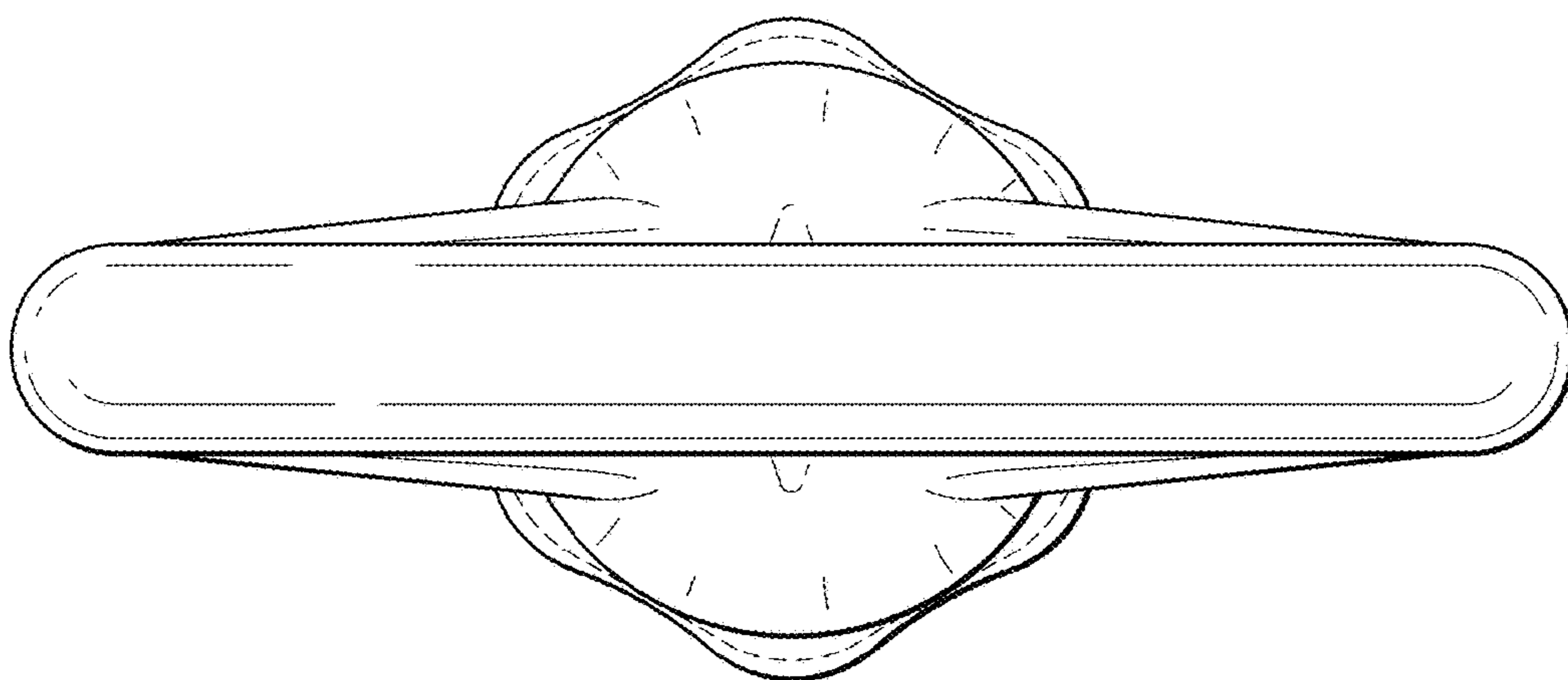


FIG. 6

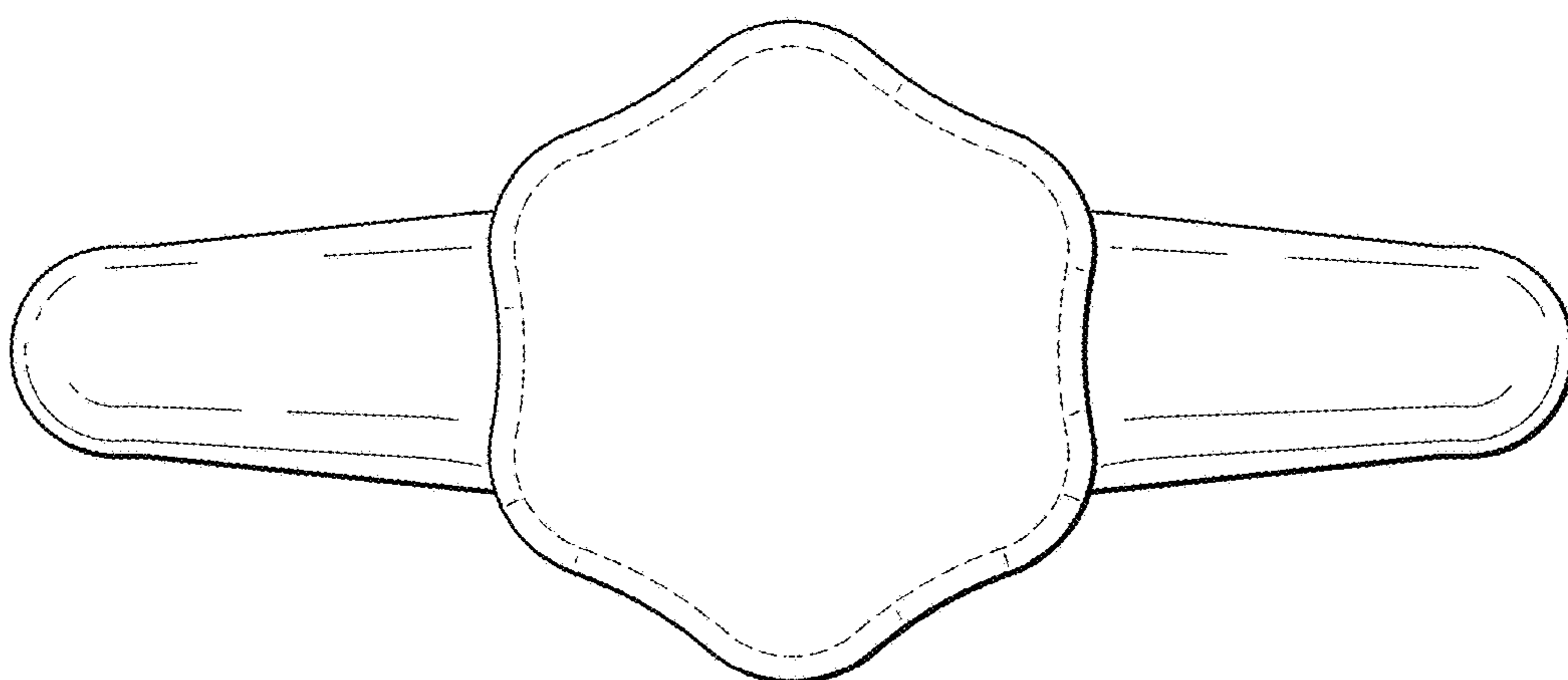


FIG. 7

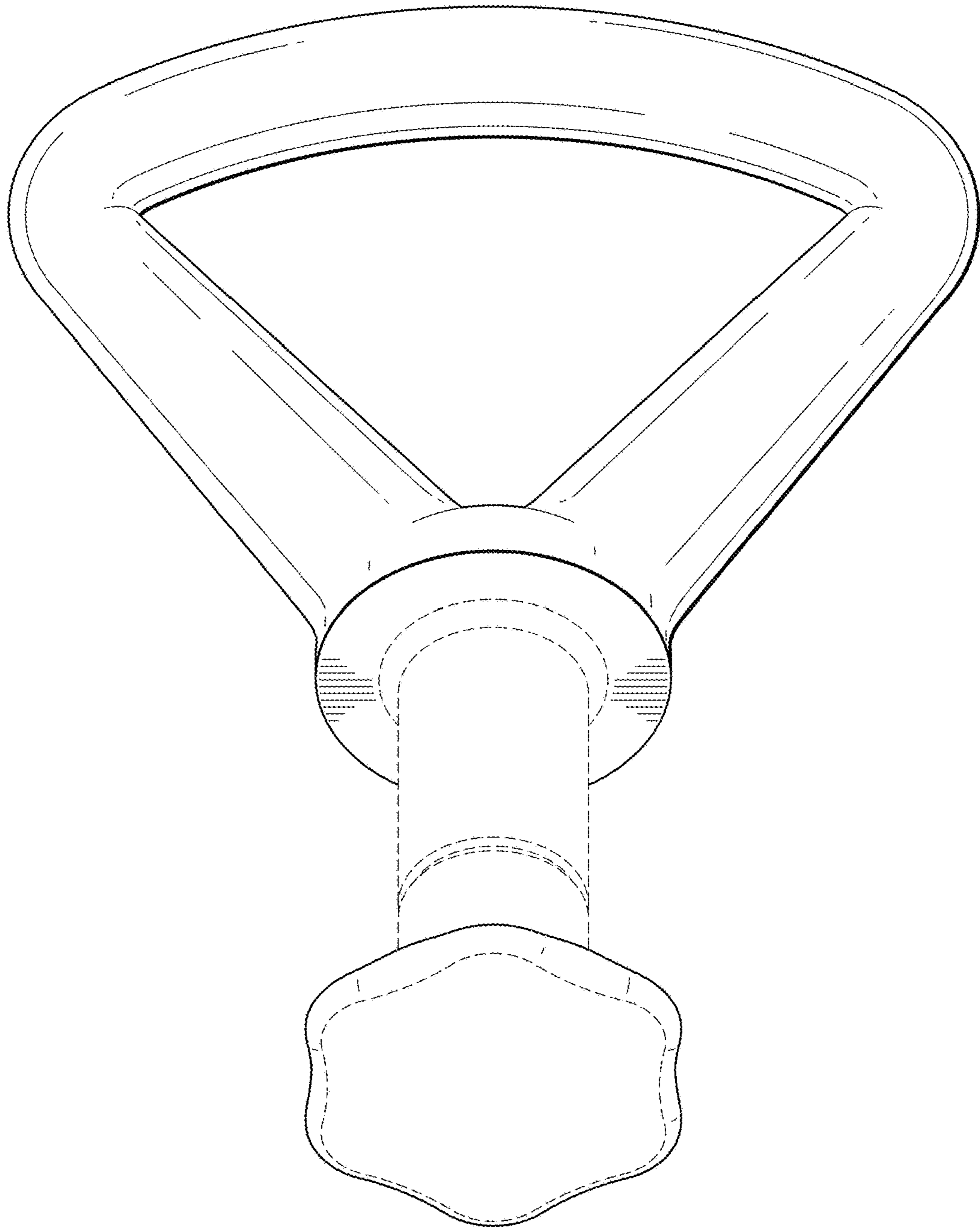


FIG. 8