

US00D844717S

(12) **United States Design Patent** (10) **Patent No.:** **US D844,717 S**
Gagnon et al. (45) **Date of Patent:** **** Apr. 2, 2019**

(54) **EXERCISE DEVICE**

(71) Applicants: **Sean Gagnon**, Bernardsville, NJ (US);
Michael Glen Ritter, Mt. Laurel, NJ
(US); **Don Brown**, Williamsport, PA
(US)

(72) Inventors: **Sean Gagnon**, Bernardsville, NJ (US);
Michael Glen Ritter, Mt. Laurel, NJ
(US); **Don Brown**, Williamsport, PA
(US)

(**) Term: **15 Years**

(21) Appl. No.: **29/607,740**

(22) Filed: **Jun. 15, 2017**

Related U.S. Application Data

(63) Continuation-in-part of application No. 29/560,446,
filed on Apr. 6, 2016.

(51) **LOC (11) Cl.** **21-02**

(52) **U.S. Cl.**
USPC **D21/662**

(58) **Field of Classification Search**
USPC D21/662, 668, 669, 670, 671, 675, 677,
D21/679, 680, 686, 688

(Continued)

(56) **References Cited**

U.S. PATENT DOCUMENTS

D462,098 S * 8/2002 Fazeli D21/456
D667,903 S * 9/2012 Chiu D21/662

(Continued)

OTHER PUBLICATIONS

TireFlip 180 Functional Training Machine, [online], [site visited
Jan. 24, 2017]. Available from Internet, URL:<http://www.ironcompany.com/abs-company-tire-flip-180.aspx>.*

(Continued)

Primary Examiner — Cathron C Brooks

Assistant Examiner — Katrina N Gonzalez

(74) *Attorney, Agent, or Firm* — Quickpatents, LLC;
Kevin Prince

(57) **CLAIM**

We claim the ornamental design for an exercise device, as
shown and described.

DESCRIPTION

FIG. 1 is a front perspective view of an exercise device,
showing a first embodiment of our new design in a lowered
position;

FIG. 2 is a front elevational view of FIG. 1;

FIG. 3 is a rear elevational view of FIG. 1;

FIG. 4 is a right-side elevational view of FIG. 1, the left-side
elevational view being a mirror image thereof;

FIG. 5 is a top plan view of FIG. 1;

FIG. 6 is a bottom plan view of FIG. 1;

FIG. 7 is a right-side elevational view of the first embodi-
ment in a raised position, the left-side elevational view being
a mirror image thereof;

FIG. 8 is a front elevational view of FIG. 7, the rear
elevational view being a mirror image thereof.

FIG. 9 is a front perspective view of a second embodiment
thereof in the lowered position;

FIG. 10 is a front elevational view of FIG. 9;

FIG. 11 is a rear elevational view of FIG. 9;

FIG. 12 is a right-side elevational view of FIG. 9, the
left-side elevational view being a mirror image thereof;

FIG. 13 is a top plan view of FIG. 9;

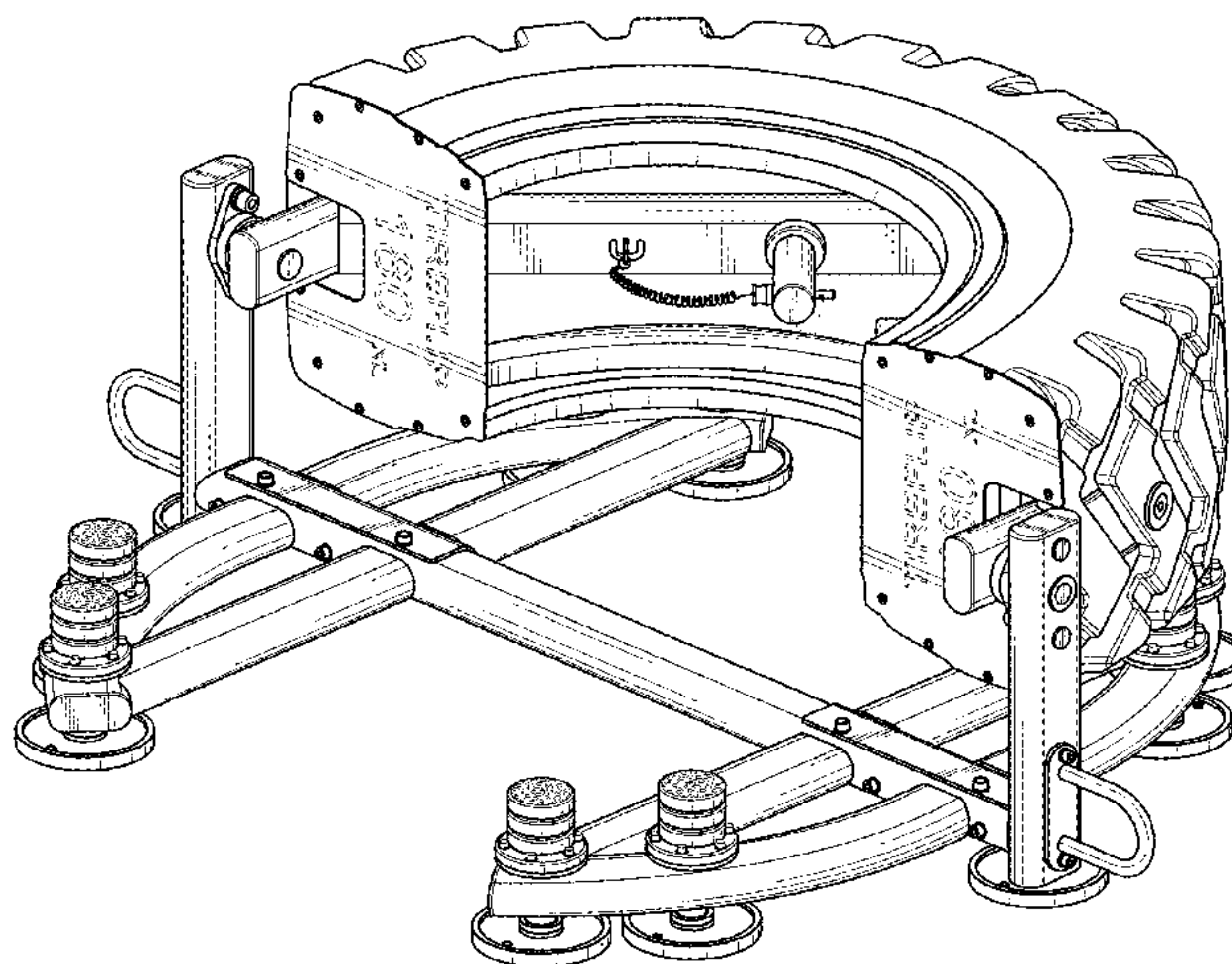
FIG. 14 is a bottom plan view of FIG. 9;

FIG. 15 is a right-side elevational view of the second
embodiment in the raised position, the left-side elevational
view being a mirror image thereof; and,

FIG. 16 is a front elevational view of FIG. 15, the rear
elevational view being a mirror image thereof.

The broken lines showing text in the drawings depict
environmental matter and form no part of the claimed
design.

1 Claim, 14 Drawing Sheets



(58) **Field of Classification Search**

CPC A63B 24/0062; A63B 24/0087; A63B
24/0075; A63B 22/0605; A63B
2024/0065; A63B 21/225; A63B 21/4034;
A63B 21/4035; A63B 2220/12; A63B
22/02; A63B 22/0664; A63B 71/0622;
A63B 2024/0068; A63B 2024/0093;
A63B 21/00; A63B 23/035

See application file for complete search history.

(56) **References Cited**

U.S. PATENT DOCUMENTS

D688,755 S * 8/2013 Driessen D21/662
D731,600 S * 6/2015 Bouckaert D21/662
D751,655 S * 3/2016 Januszek D21/662
9,717,941 B2 * 8/2017 Gagnon A63B 21/4023
D800,233 S * 10/2017 Januszek D21/662
2016/0361585 A1 * 12/2016 Gagnon A63B 21/4023
2017/0252605 A1 * 9/2017 Siqueira A63B 22/201

OTHER PUBLICATIONS

Tire Flip 180 XL—The Abs CompanyThe Abs Company, [online],
[site visited Jan. 24, 2017]. Available from Internet, URL:<https://theabscompany.com/product/tire-flip-180-xl/>.*

* cited by examiner

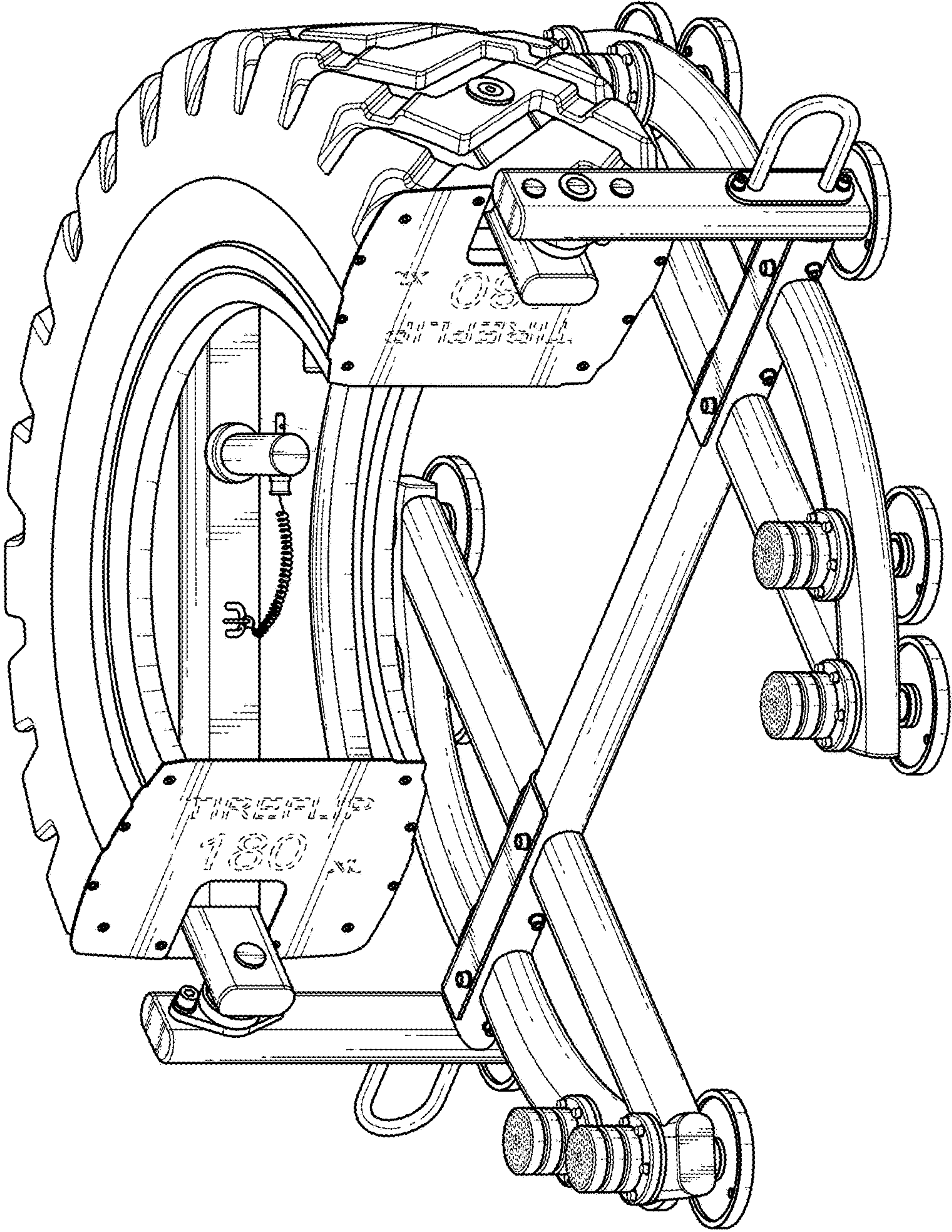


FIG. 1

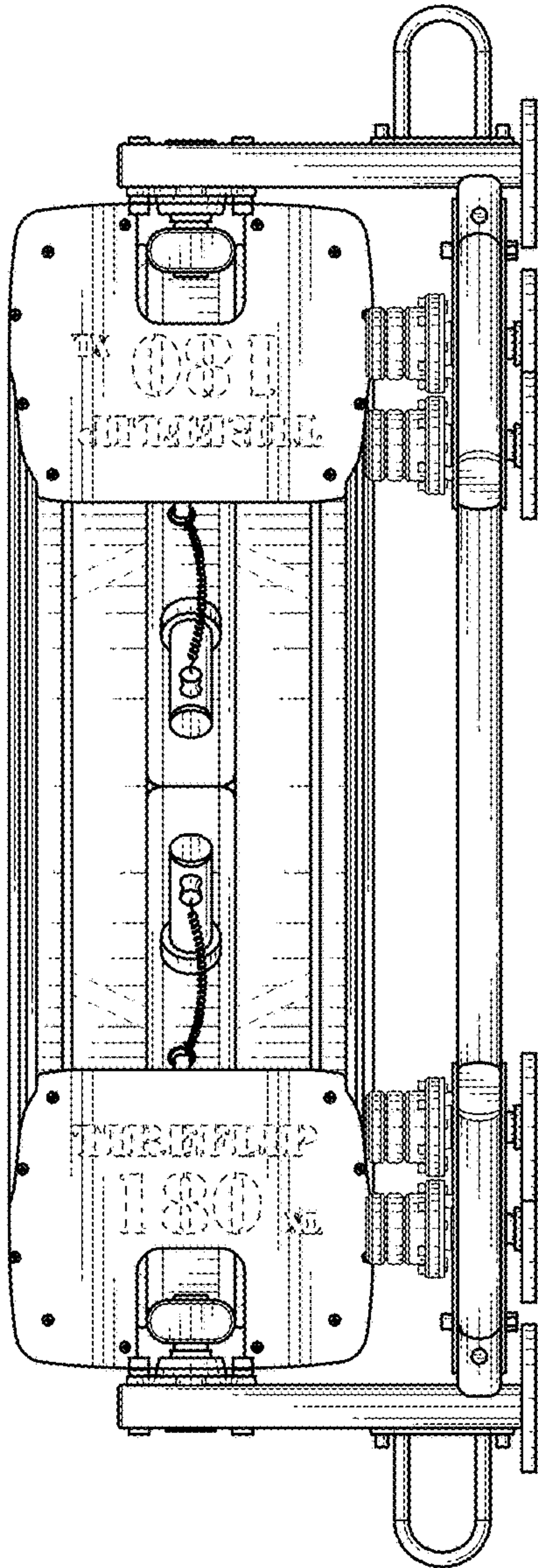


FIG. 2

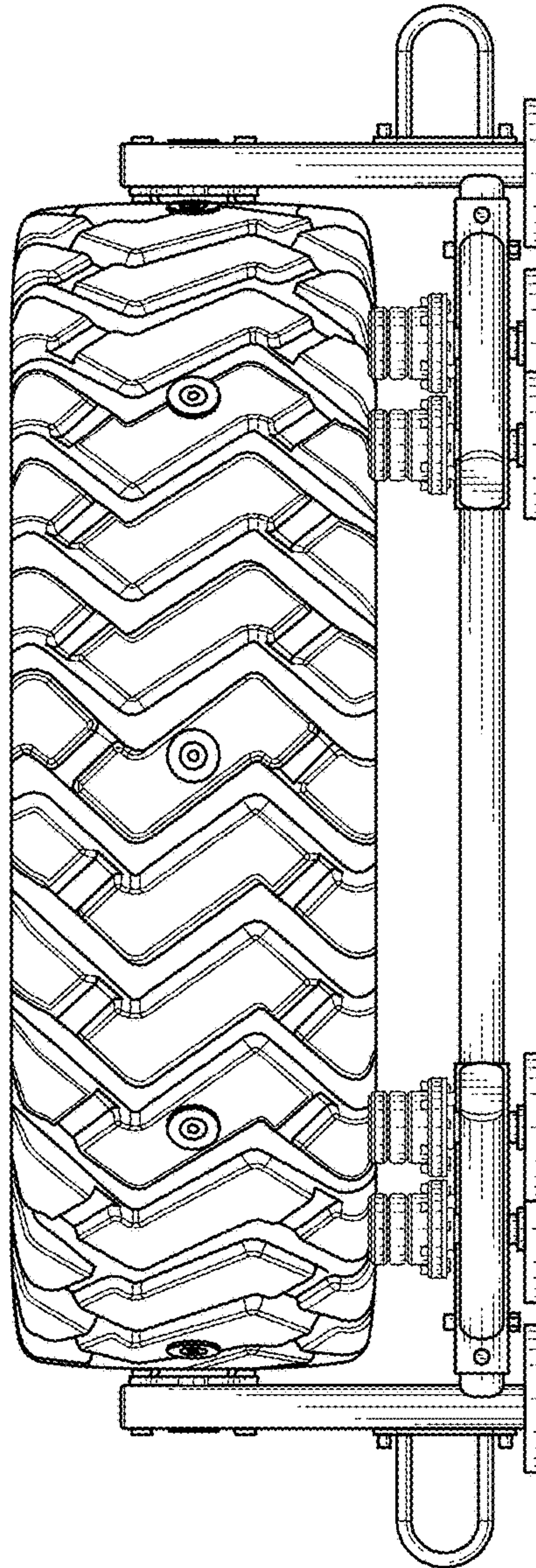


FIG. 3

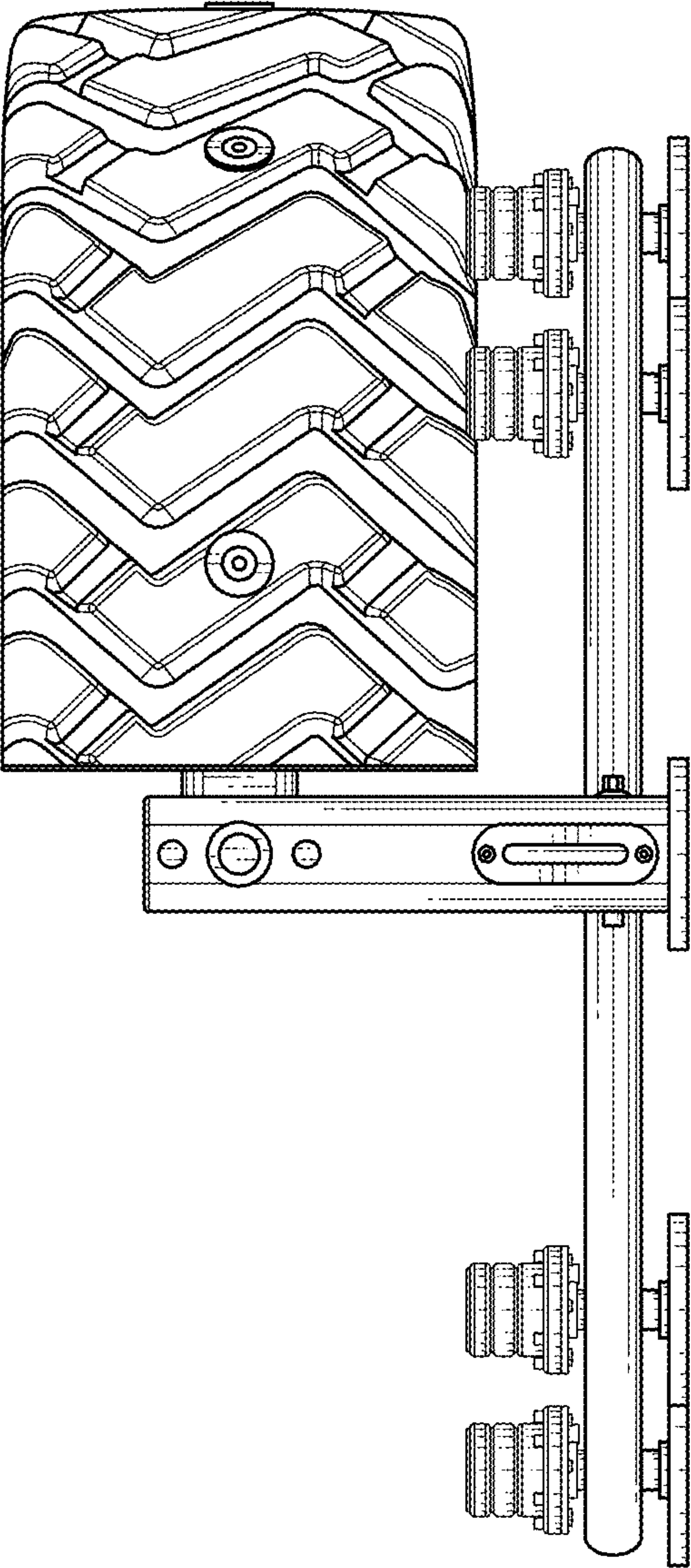


FIG. 4

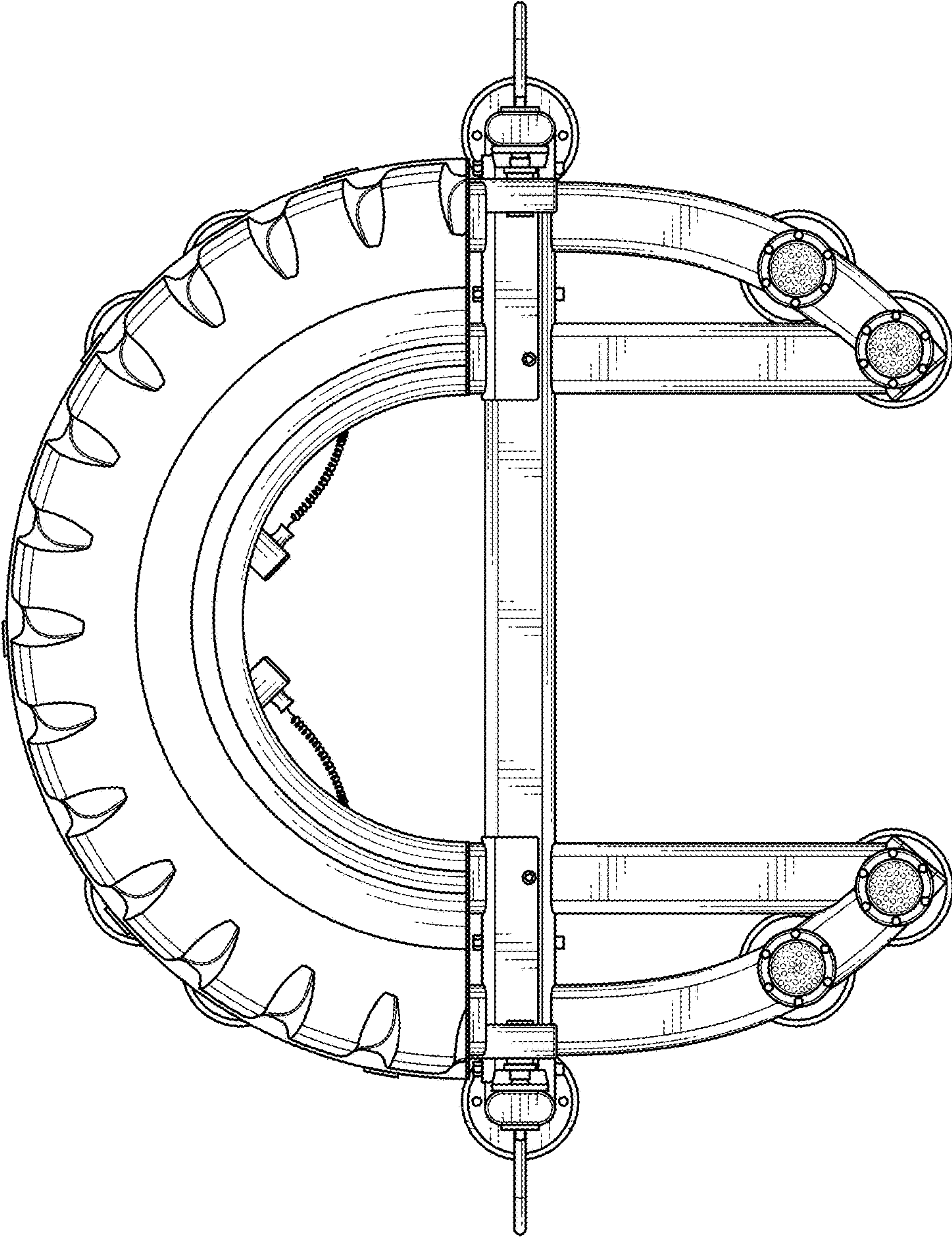


FIG. 5

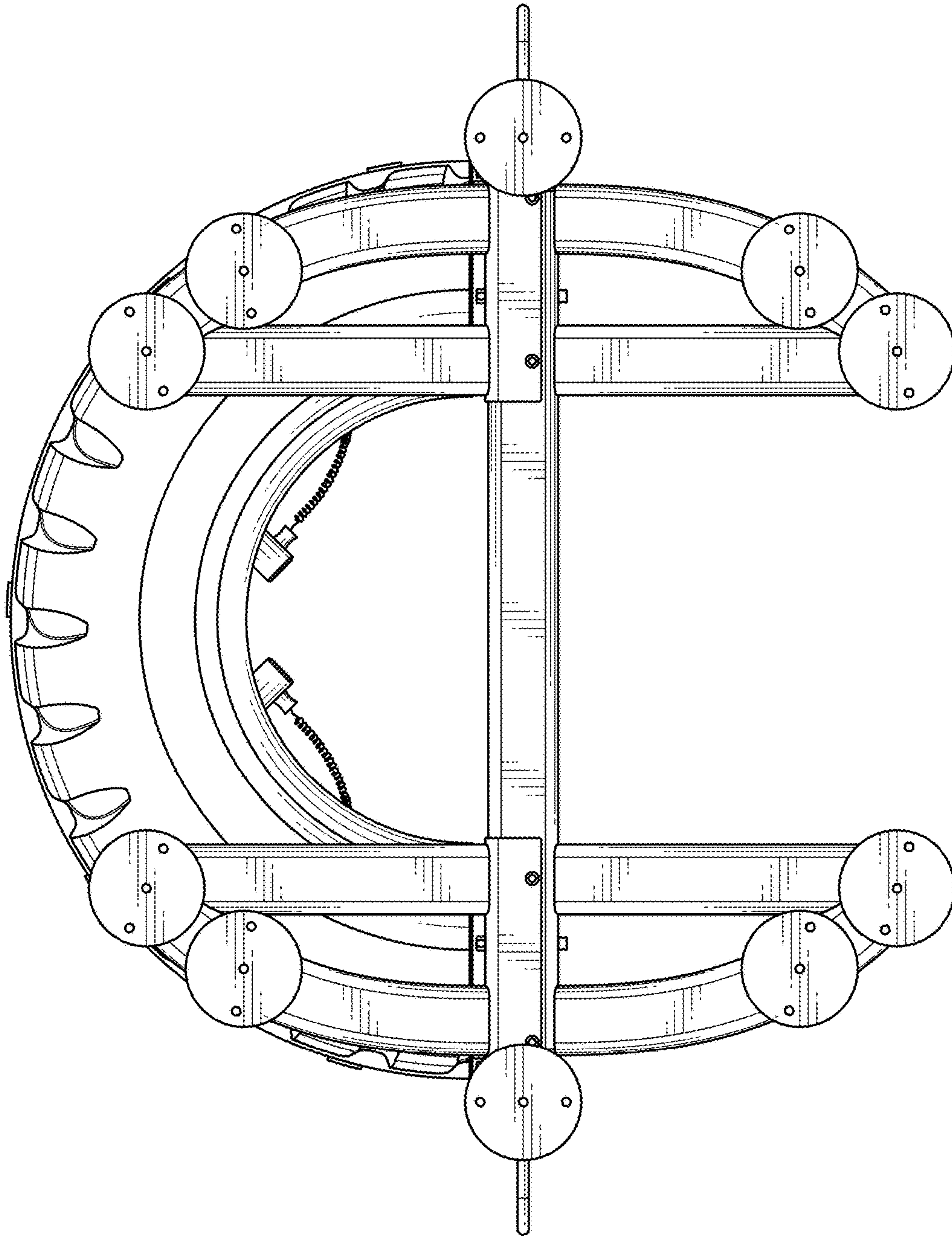


FIG. 6

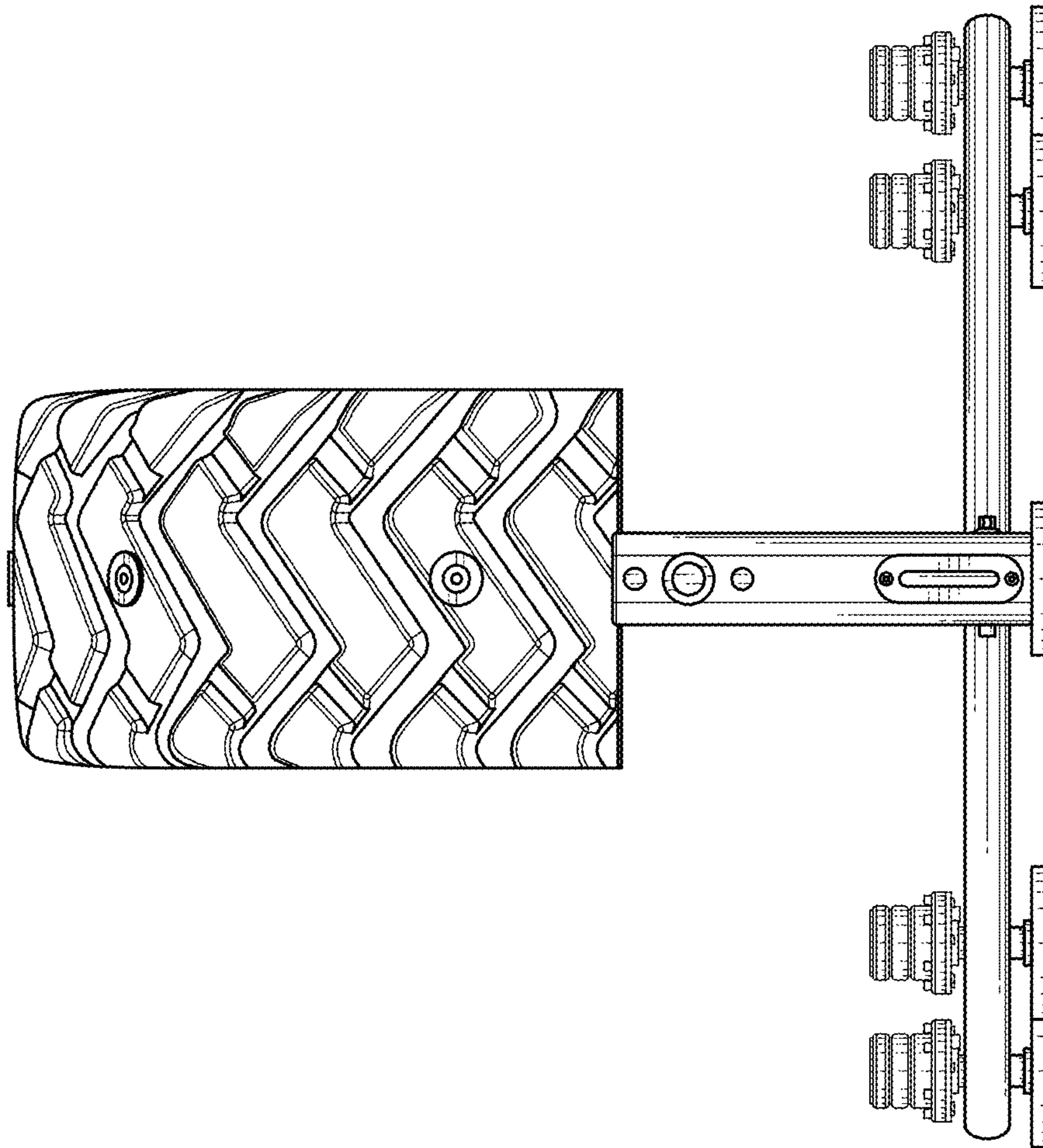


FIG. 7

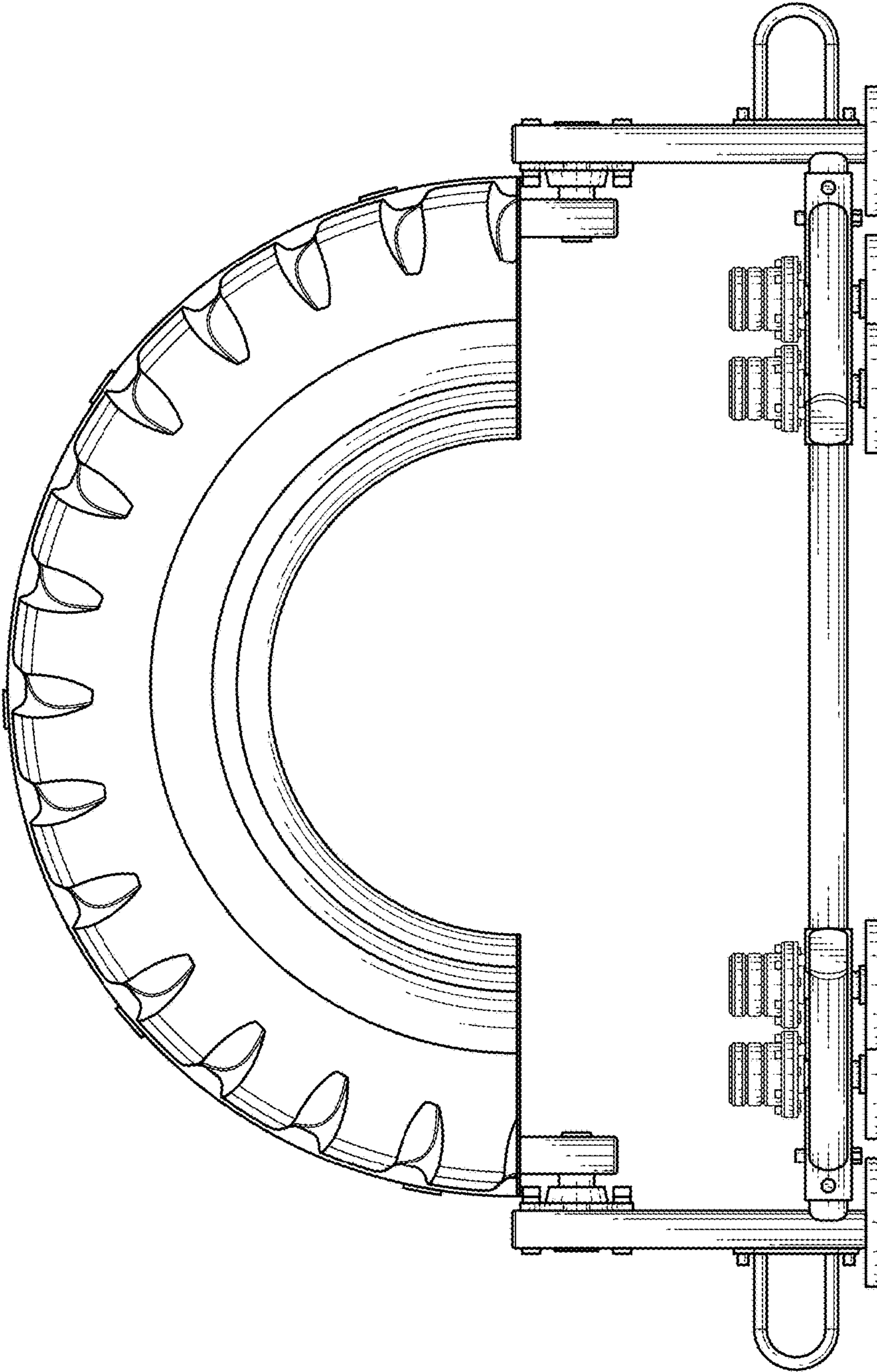


FIG. 8

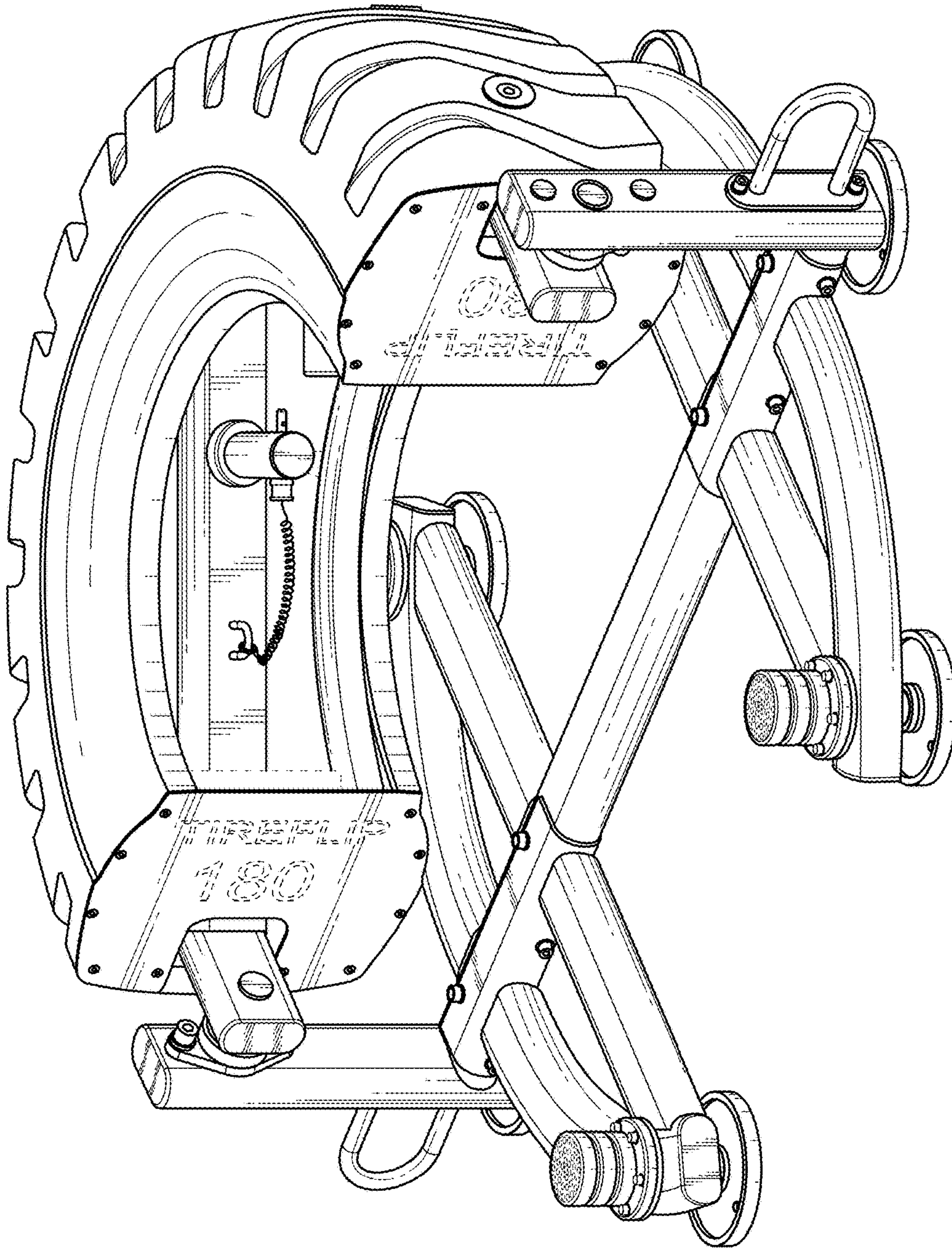


FIG. 9

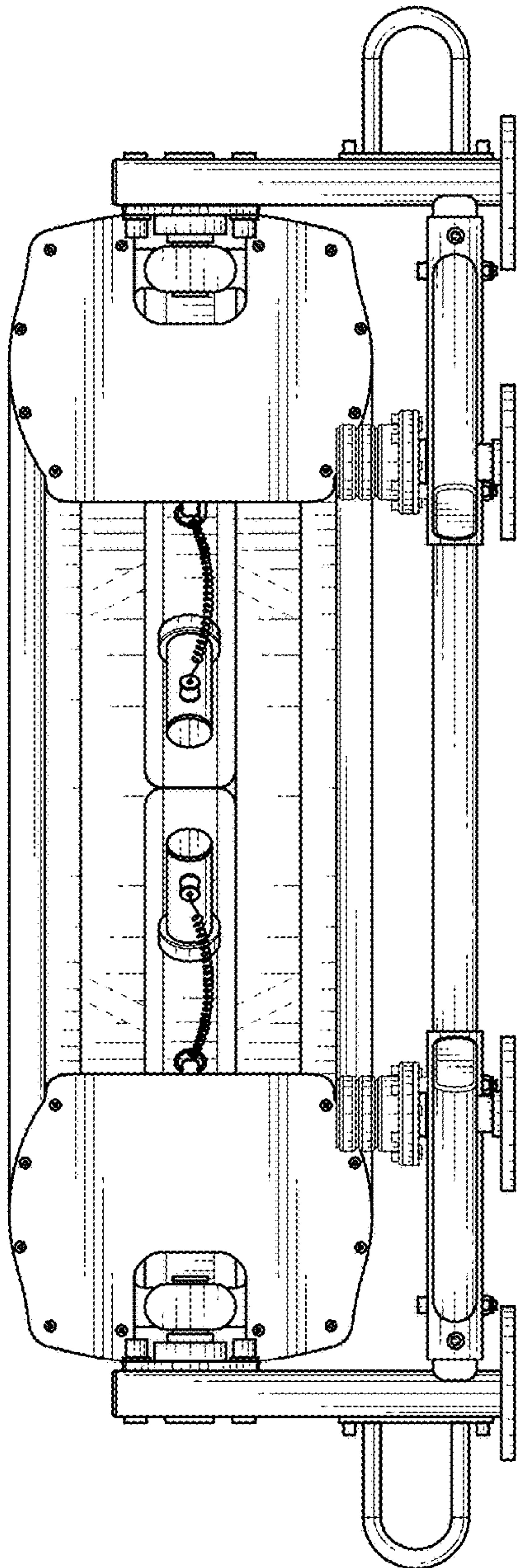


FIG. 10

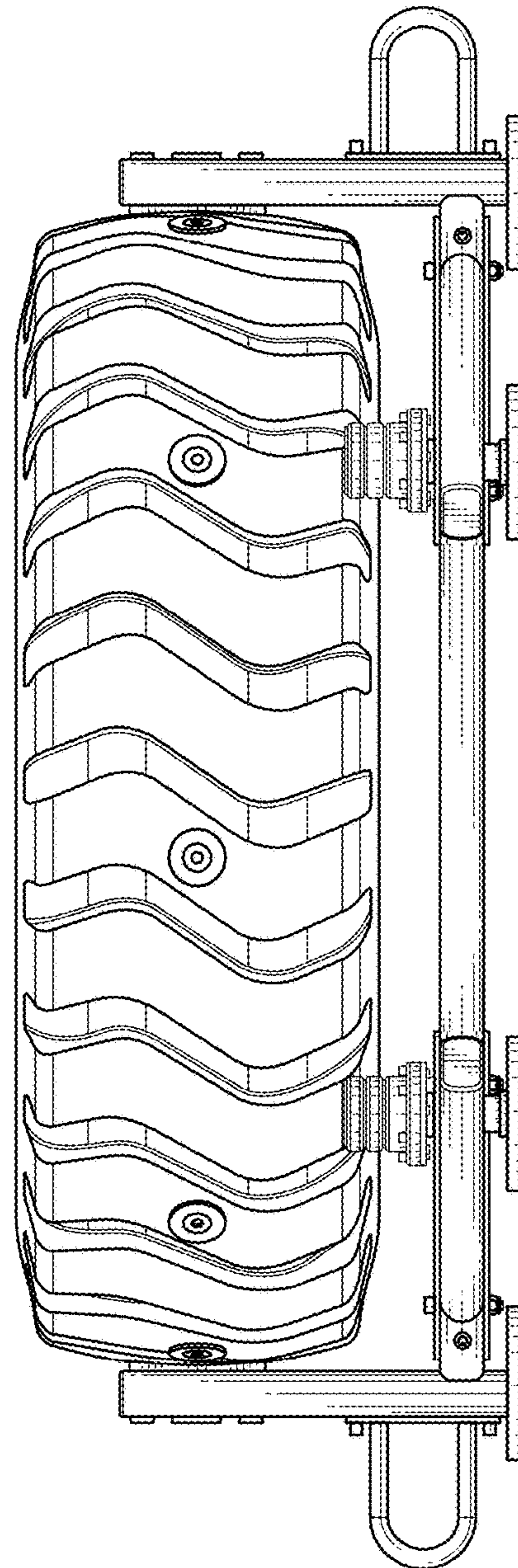


FIG. 11

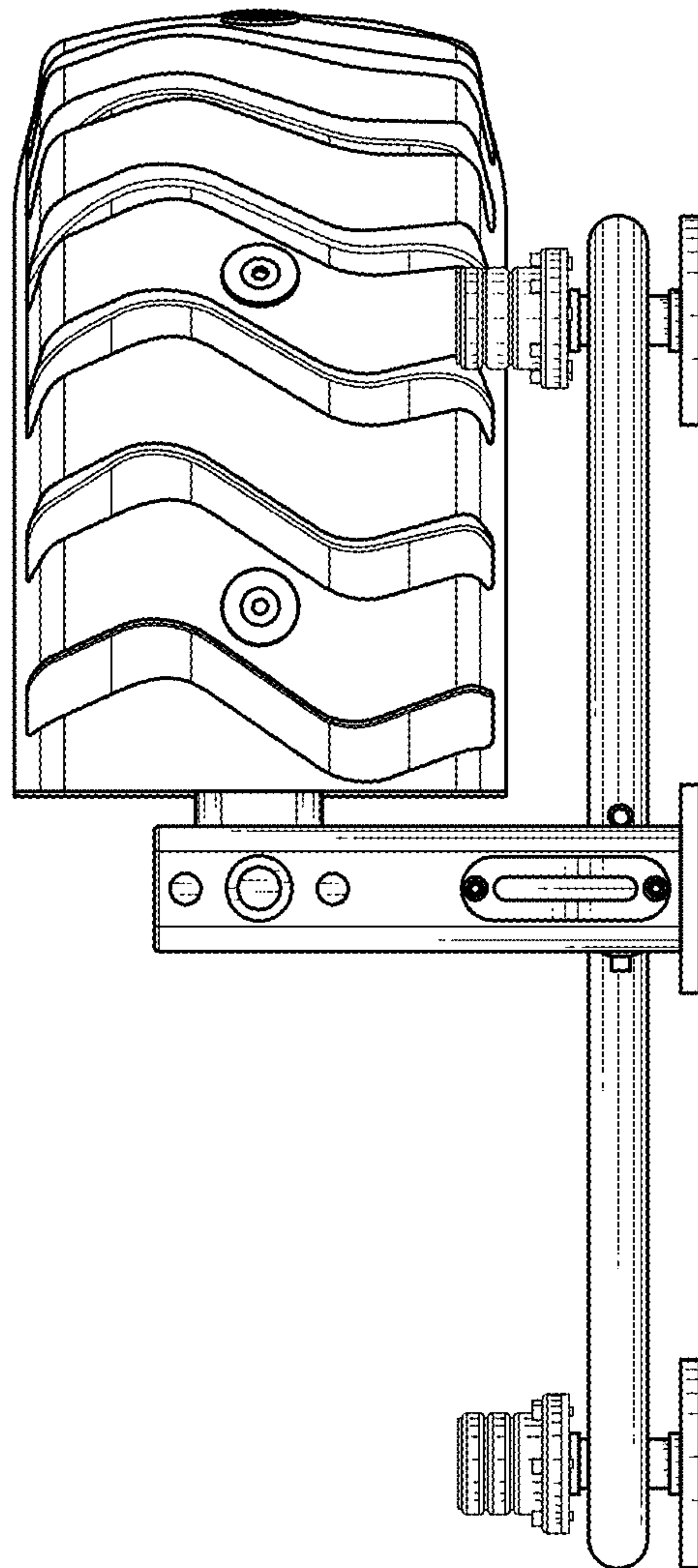


FIG. 12

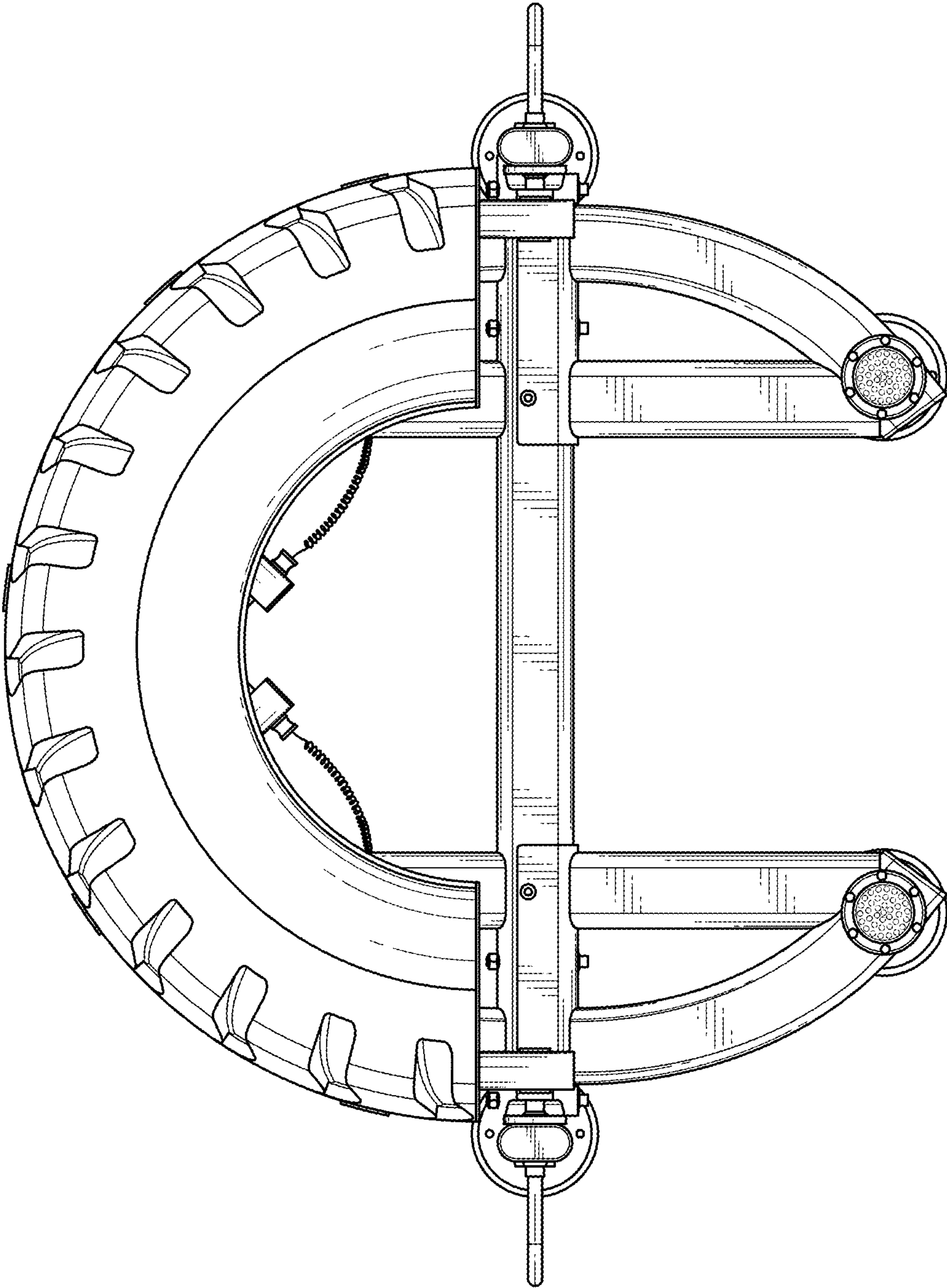


FIG. 13

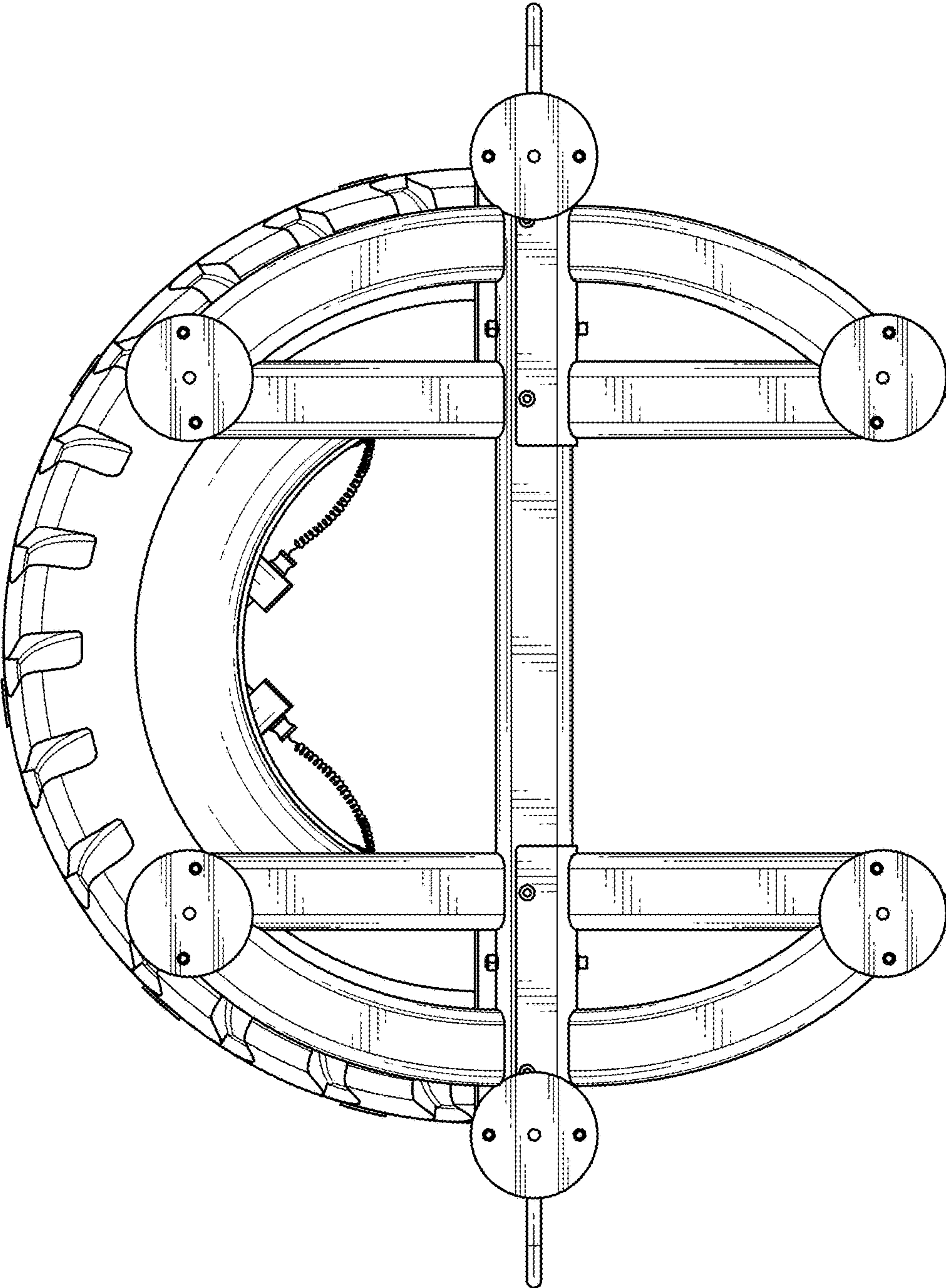


FIG. 14

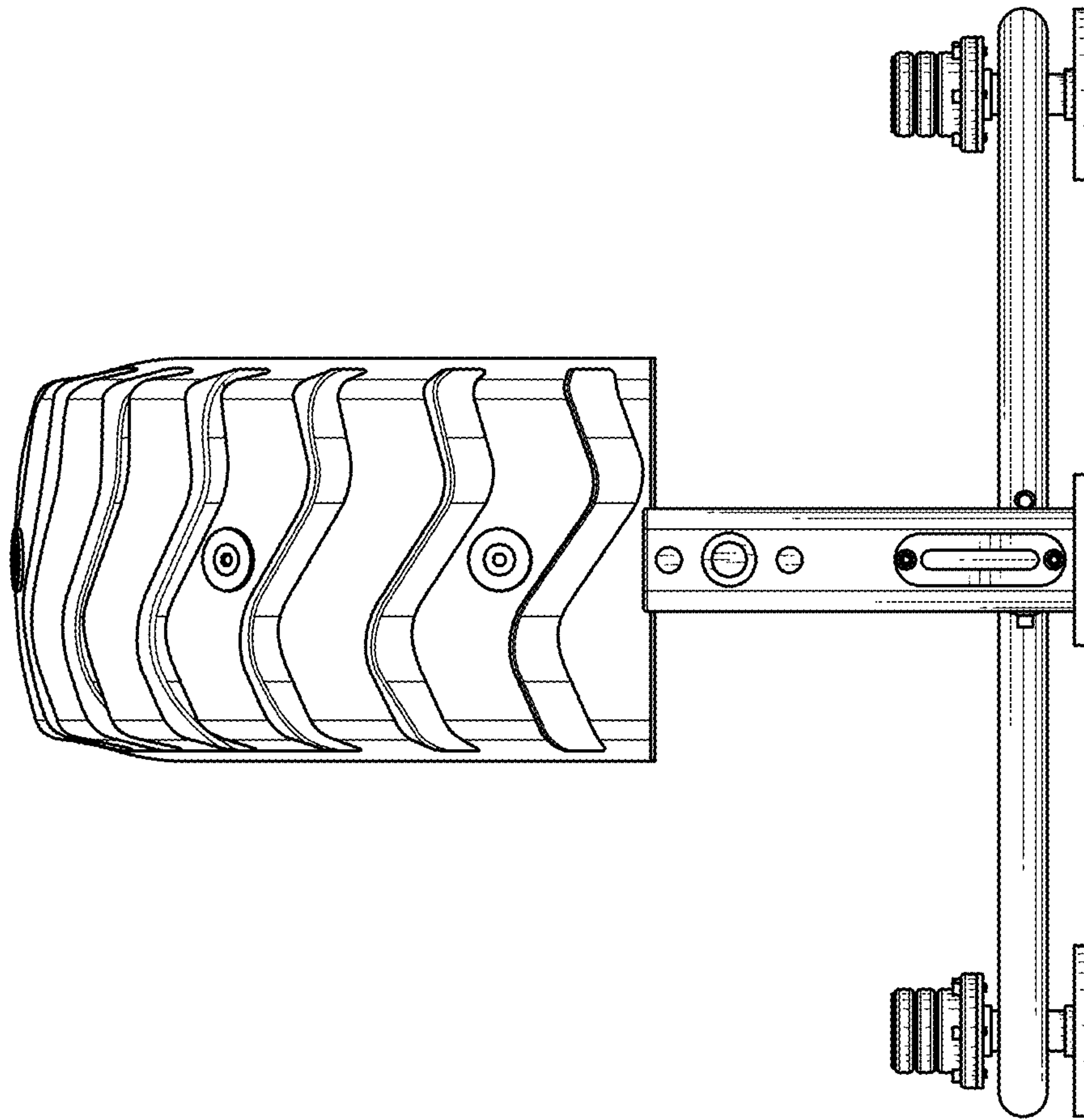


FIG. 15

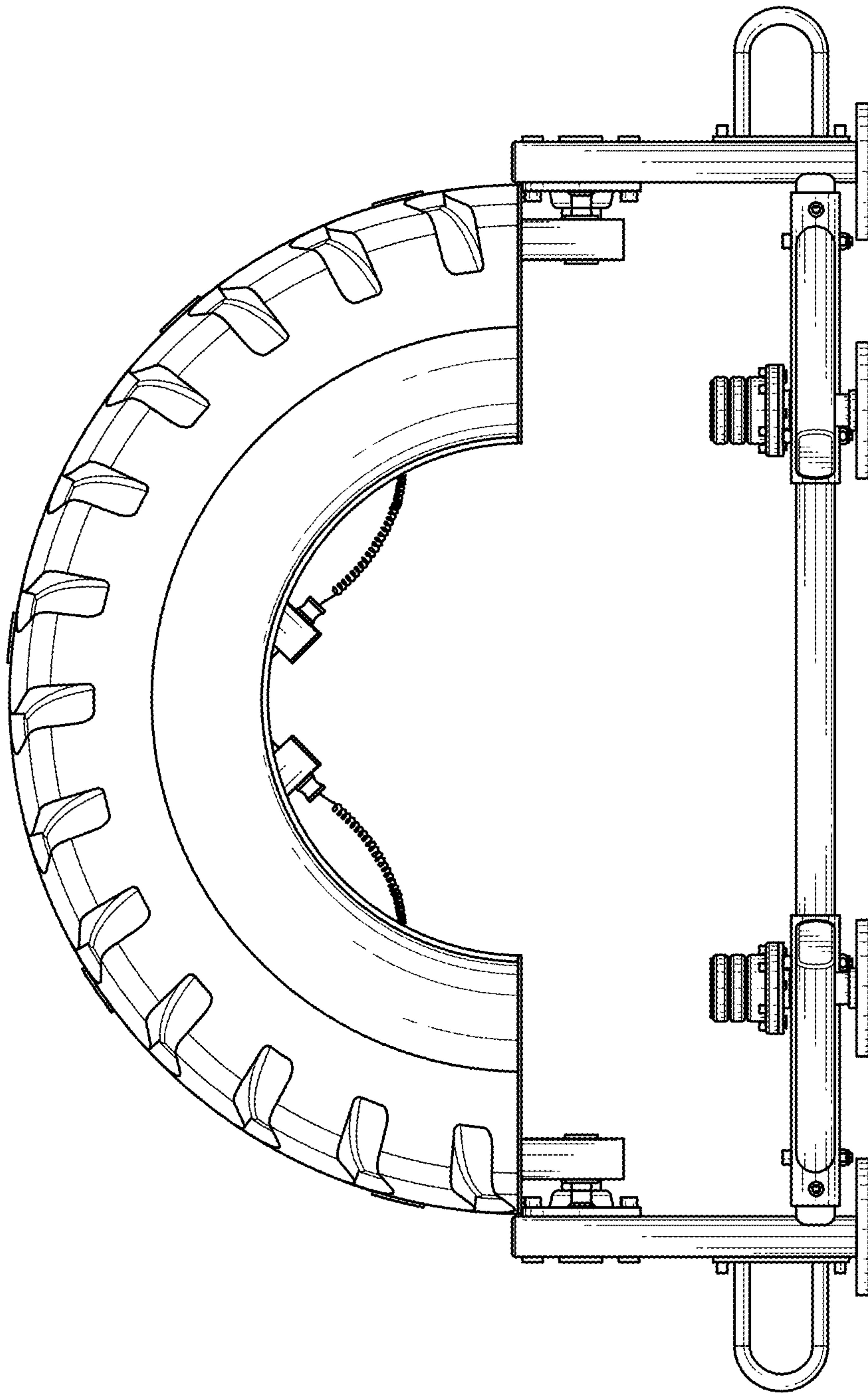


FIG. 16